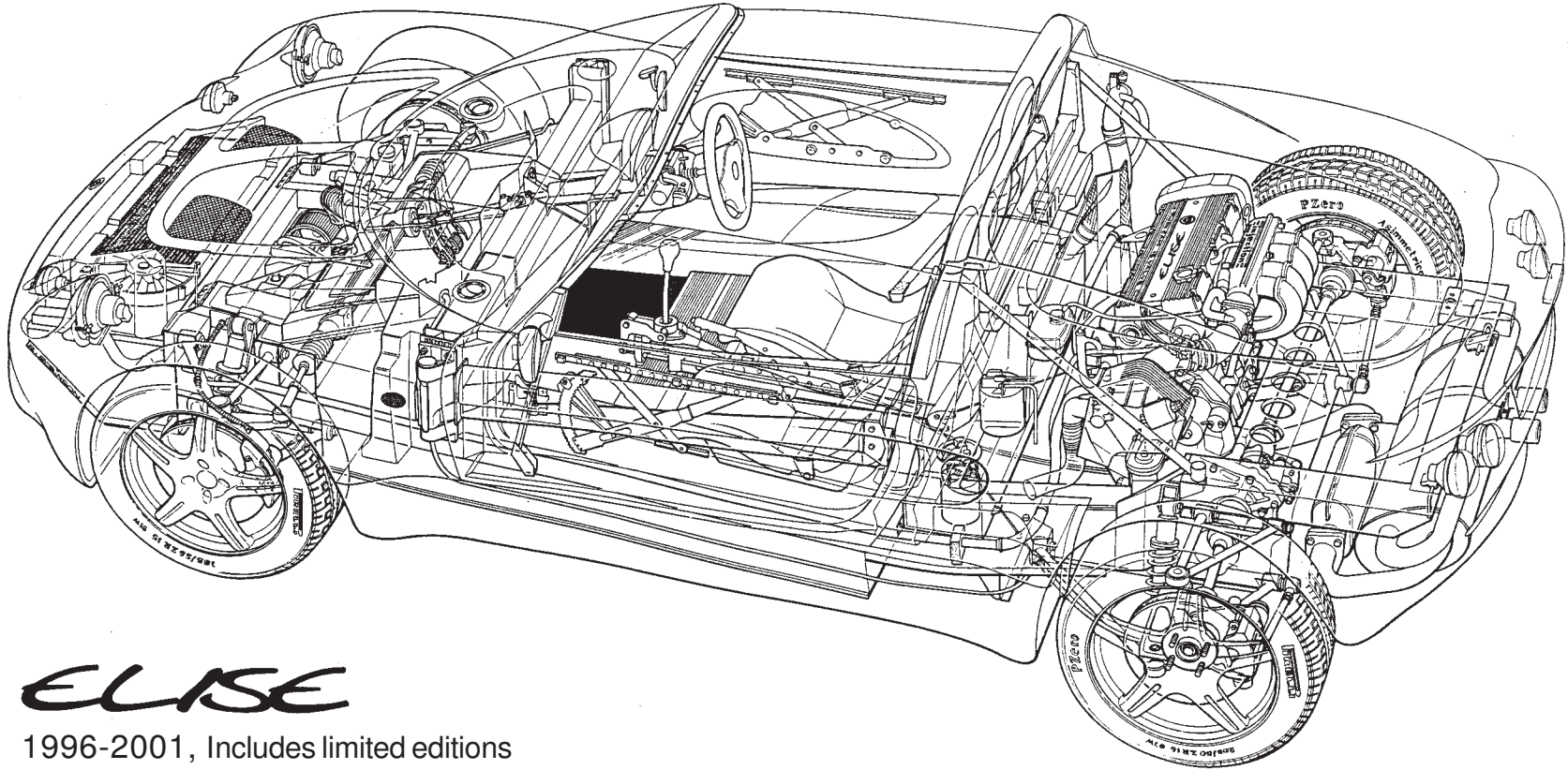




ELISE SERVICE PARTS LIST



ELISE

1996-2001, Includes limited editions

Technical Publications, Lotus Cars Limited, Hethel, Norwich, Norfolk, NR14 8EZ. England.

Telephone 01953 608000 www.lotuscars.com

© Lotus Cars Ltd. 1996

Part Number A111T0325J

Updated 1st February 2021

FOREWORD

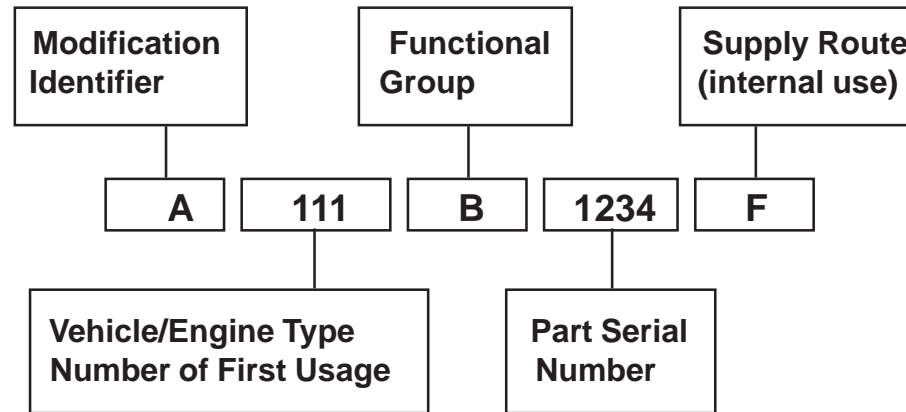
This publication has been designed for use by Lotus Dealers, and may be updated periodically by the issuing of update packages to the dealer network. Lotus policy is one of continuous product improvement and the right is reserved to alter specifications at any time without prior notice. Whilst every care has been taken to ensure correctness of information, it is impossible to guarantee complete freedom from omissions and errors, or to accept liability arising from such errors or omissions, but nothing herein contained shall affect your statutory rights.

USE OF THE PARTS LIST

This parts list covers the Elise range, 1996 model year onwards. The manual is arranged in function groups, as defined by the Contents page, and may sometimes use several versions of the same function group to accommodate model variations - take care to establish the full vehicle specification in order to properly identify the applicable parts list section.

PART NUMBERS

Part numbers used in this publication are in the format as follows:



Modification Identifier: This letter identifies a version or modification of the part. Part numbers with different prefix letters may or may not be interchangeable - refer to the remarks column.

Vehicle/Engine Type Number: The type number indicates either the model or engine type on which the part was first used.

026, 036, 045, 500....Elan	079....Esprit S1/S2/S2.2	089....Excel	120....Elise111R	127....2-Eleven	907....4 cyl. 2.0 NA
050....Elan+2	082....Esprit Turbo	100....Elan 1990	121....Elise USA	128....Exige S (euro)	910....4 cyl. 2.2 turbo
046, 054, 065, 074....Europa	083....Elite S2	111....Elise	122....Exige 2	129....Exige S (fed)	912....4 cyl. 2.2 NA
075....Elite S1	084....Eclat S2	340....340R	123....Exige USA	131....Elise S (1ZZ)	918....V8 3.5 turbo
076....Eclat S1	085....Esprit S3	117....Elise 2001 MY	124....Europa 2006	132....Evora	920....4 cyl. 2.0 turbo

Functional Group: A single letter indicating the functional area of the parts first use

A = Chassis	E = Engine	J = Brakes	P = Heater & AC	U = Hard Trim
B = Body	F = Transmission	K = Cooling	Q = Clutch	V = Soft Trim
C = Front Suspension	G = Wheels & Tyres	L = Fuel System	R = Final Drive	W = Standard Fixings
D = Rear Suspension	H = Steering	M = Electrics	S = Exhaust	

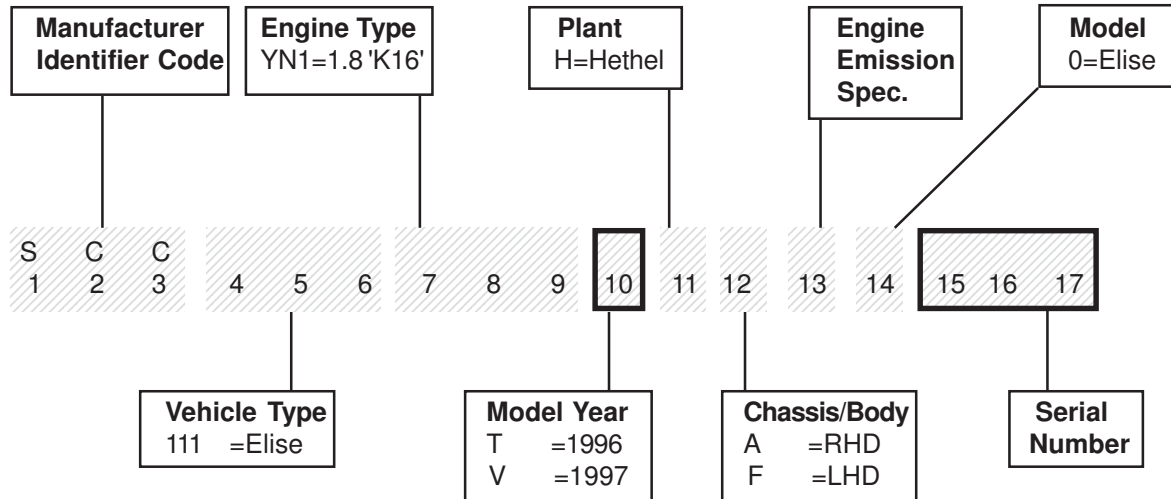
VEHICLE IDENTIFICATION NUMBER & ENGINE NUMBER

The Vehicle Identification Number (V.I.N.) is stamped on the chassis in the right hand rear wheelarch area, and is also printed on a label stuck to the body in the front services compartment. The engine number is marked on a vertical patch at the left hand end of the forward face of the cylinder block, and is most easily viewed using a mirror.

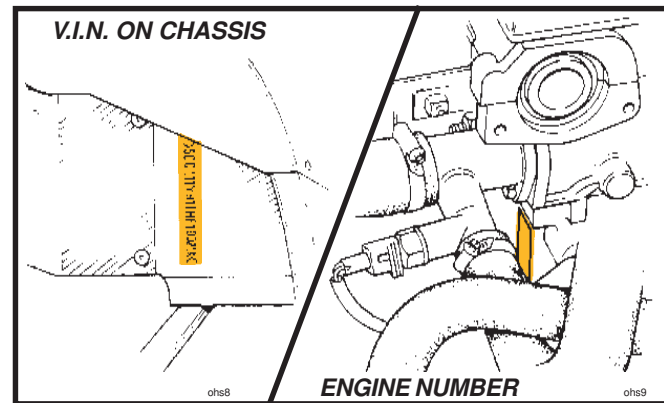
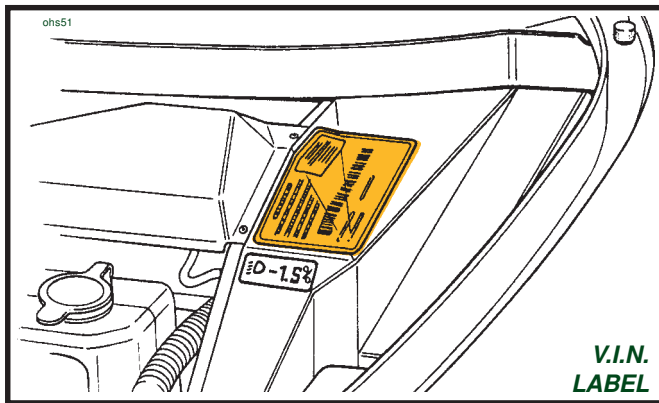
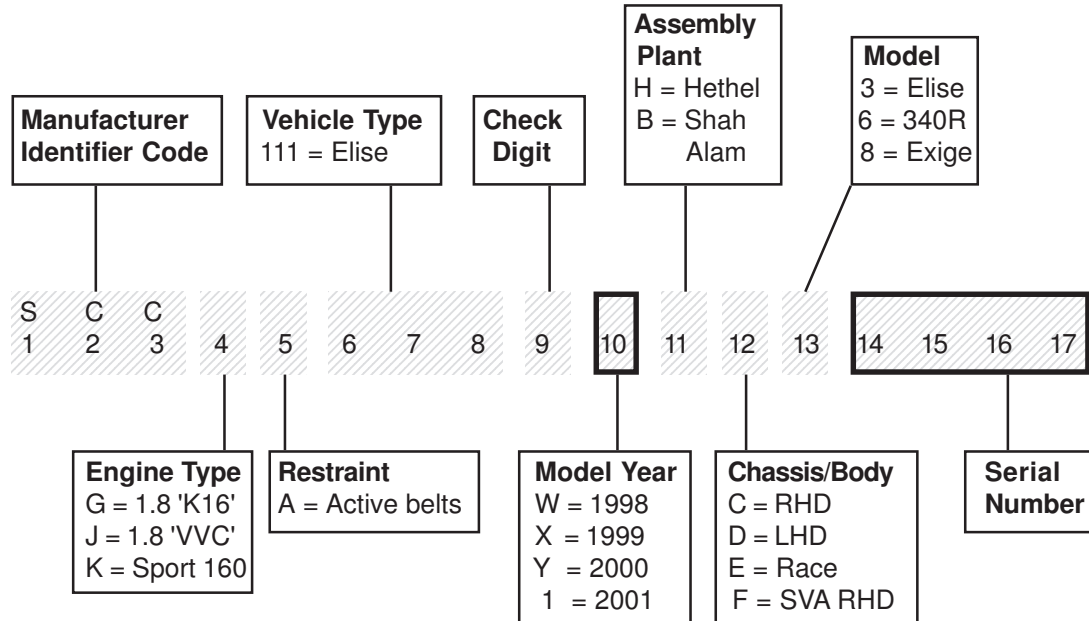
Both numbers should always be quoted with any vehicle enquiries, as Factory records are filed against V.I.N., and specification change points are identified by V.I.N. or engine number. The vehicle licence number may not accurately reflect vehicle age, may also be changed during the car's life, and is an unreliable method of vehicle identification.

The V.I.N. comprises 17 characters, coded in accordance with European Economic Community (EEC) directives. For change point identification in Service Notes and Service Parts Lists, characters 10 (model year) and 15 - 17, or 14 - 17 (serial number) will be quoted. Note that the coding of the V.I.N. changed with the introduction of '98 M.Y. year

'96 & '97 Model Year



'98 Model Year onwards



ELISE



June 1996 ELise S1



Nov 1997 Sport 190



Nov 1998 135 Sport



Jan 1999 50th



Jan 1999 111S



July 1999 Type 79



Oct 1999 Type 49



Oct 1999 Millenium



Feb 2000 Sport 160



1997 GT1 R ace Car



Jan 2000 340R



July 2000 Exige S1

Updated 2nd January 2018

ELISE MODEL HISTORY

Model Introduction: June '96

VIN: T 0017 onwards

1997 Model Year: November '96

VIN: V 240 onwards No specification change.

Upgraded Starter Motor: February '97

VIN: V 685

Starter motor upgraded from 1.0 kW to 1.4 kW and engine management fuse relocated from rear to front services compartment.

Commonisation of a.c. type chassis: September '97

VIN: V 1685 (approx.) Plus; 1672, 1673, 1677, 1682. Less; 1694, 1708.

Shape of chassis, rear side of fuel tank crossmember, changed to accommodate a.c. compressor. Low level engine coolant outlet pipe. Re-circ. ventilation holes in chassis toe-board.

1998 Model Year: October '97

VIN: W 1814 onwards. No specification change.

Revised Harness & Main Fusebox: October '97

VIN: W 1941 onwards. Plus; 1920, 1926, 1937, 1938.
Less; 1965, 2002.

New harness introduced to accommodate optional U.K. market Cobra 6422 alarm. New main fusebox with 22 'Littel' fuses in front luggage compartment.

Optional U.K. Market Cobra 6422 Alarm: October '97

VIN: W 1947 onwards. Plus 1937, 1938.

Option upgraded from Cobra 6019HF to 6422. Facility to reprogramme transmitter keys. Override switch deleted.

Elise Sport 190: November 97

Approx. 65 cars (35 had centre seat position)

Cars built by production and then converted by Lotus Engineering for track use only.

Front Brake Disc Shields: December '97

VIN: W 2260 (approx.)

Alloy shield fitted on inboard side of front discs to protect from debris and balance pad life.

Revised Soft Top Cant Rails: May '98

VIN: W 3332

Latches on rear end of roof cant rails use new dovetail design to improve location. Door seals changed to incorporate moulded front ends to mate with new cantrail front seals. New soft top canopy with press studs repositioned to suit new cant rails. Parts set required to fit hardtop roof.

Cast Iron Brakes: June '98

VIN: W 3714 (approx.)

Cast iron brake discs and pads replace aluminium metal matrix brakes.

Integral Boot Box: September '98

VIN: W 4429 (approx.) Plus; 4140, 4315, 4365, 4383. Less 4653.

Rear clamshell includes luggage compartment box replacing luggage bag.

1999 Model Year: November '98

VIN: X 4976 onwards. No specification change.

135 Sport: November '98

VIN: X 5401 - 5450, 6001 - 6035.

135 bhp cylinder head; Close ratio gearbox; Sports exhaust; Competition style seats; Sports steering wheel; Drilled iron brake discs; Quicksilver paint with blue soft top; Headlamp covers; Body graphics; Silver roll over bar. 2nd batch variations: 111S wheels, tyres & spats; black painted fuel filler cap; matt finish alloy gear knob; Sport 135 99 side decals.

Integral Stud Toe-Link Ball Joints: December '98

VIN: X 5479

Rear suspension toe-link ball joint changes to include integral M10 stud.

50th Anniversary Elise: January '99

VIN: X 5463 - 5816 (total 51)

Anniversary green with gold wheels, green/rafia leather seats, 'Elise' floor mats, gold decals, Anniversary decal on rear transom.

Updated 2nd January 2018

Angled Rear Window: January '99

VIN: X 5558

Rear window mounted in angled surround to reduce reflections.

Elise 111S: January '99

VIN: X 5722

VVC engine & close ratio transmission. Revised muffler & tailpipes. Cross-drilled iron discs. Lotus styled 6-spoke road wheels, 7.5" rear rims with 225/45 ZR16 rear P Zeros. Optional rear spoiler extension. Acrylic headlamp covers & smoke front indicator lenses. Composite engine lid, rear wheelarch spats, '111S' decal on rear body & fascia, moulded air intake grille. Forged alloy window winders, weave patterned dash inserts, revised seat foams & stitching.

Elise Type 79: July '99

Available based on either standard or 111S versions. Black body colour. All cars have gold painted grilles as follows; radiator air intake, radiator outlet, engine lid outlet, rear clamshell recess, engine bay intake. All cars have gold painted 111S type road wheels, black and gold Alcantara steering wheel, gold painted dash insert panels, 111S type black leather seats with gold Alcantara centres, gold decals on rear body and dash, black and gold nose badge, Union Flag decal on rear. Standard versions will also have headlamp covers and rear wheelarch spats.

Elise Type 49: October '99

Available based on either standard or 111S versions. Two tone red/white body colour. All cars have gold painted 111S type road wheels, black and red Alcantara steering wheel, 111S type black leather seats with red Alcantara centres, gold decals. Standard versions also have headlamp covers and rear wheelarch spats.

Elise 'Millenium' : October '99

Available based on either standard or 111S versions. Atlantis Blue body colour. All cars have blue Alcantara steering wheel pad and sill trim panels, 111S type black leather seats with blue Alcantara centres. Standard versions also have 111S type road wheels. rear wheelarch spats and headlamp covers. Cars were usually supplied with a range of dealer fitted Lotus accessories.

Elise: January '00

Start of new serial numbers at VIN: Y 0001
(last in old series was X 8200)

Elise 340R: January '00

VIN: Y 0004 to 0009, 9640 onwards.

Limited edition of 340. Extreme lightweight version of the Elise, based on modified standard chassis fitted with minimalist bodywork and a detuned, road going version of the VHPD powertrain. See 340R supplement for full specification.

Sport 160: February '00

SVA: VIN: Y 00601 to 00650

WVTA: VIN: Y 0651 onwards

First 50 cars with Single Vehicle Approval. Subsequent cars Whole Vehicle Type Approved. High performance derivative, based on 111S specification with 160 PS fixed valve timing engine. WVTA versions require airbox modification and sport exhaust fitment for full power release. Other features include new engine controller, sport suspension, 'race' wheels, plinth mounted rear aerofoil, Alcantara trimmed seats and steering wheel pad, body decals.

Exige: July '00

VIN: Y 0001 (Character 13 = 8) - model specific serial number sequence

Road going version of the Elise race series car, with 178bhp 340R engine, close ratio transmission, sport suspension and larger 12-spoke black finish wheels (16x7 & 17x8.5) with Yokohama A039 tyres. Front and rear clamshells styled as race car with pillar mounted rear aerofoil. Tinted polycarbonate rear tailgate with air ducting, linked to roof mounted air intake duct. Optional Alcantara sports seats and 340R harnesses. Meta security system. Roof mounted radio aerial.

Autumn '00:

Elise WVTA models discontinued with the introduction of the new 2001 model year Elise. SVA cars built in 2001: base Elise, 111S, Sport 160/190 and Exige. Last Classic Elise built was VIN: 1 2287; last Exige was VIN: 1 0604

Updated 2nd January 2018

ELISE

10.00 Body

- 10.01 Body: Front & Rear Clamshells & Fixings
- 10.02a Body: Sill Panels, Windscreen Frame & Rear Bulkhead
- 10.04 Crash Structures
- 10.09 Front Services Access Panels
- 10.11 Tailgate & Release Mechanism
- 10.15 Door Shells, Beams, Hinges
- 10.17 Door Latch Mechanism
- 10.20 Rear Window Shroud & Fixings
- 10.25 Undertray & Diffuser
- 10.31 Towing Strut/ Hook

11.00 Glazing and Seals

- 11.01 Windscreen, Door Glass, Seals & Weather Strips
- 11.02 Door Window Lift Mechanism

12.00 Exterior Fittings

- 12.01 Wheelarch Liners
- 12.02 Soft Top Roof, Cant Rails, Roof Bows
- 12.03 Grilles and Louvres
- 12.04 Roof Panel, Seals & Fixings
- 12.05 Decals, Badges & Protective Film
- 12.07 Licence Plate Mountings
- 12.09 Exterior Driving Mirrors

13.00 Seats & Seat Belts

- 13.01 Seat Runners
- 13.02 Seat Assemblies, front
- 13.02a Competition Drivers Seat, Fixings. Harness
- 13.02b Competition Style Seat, Fixings.Harness
- 13.27 Seat Belts, front

14.00 Pedal Box & Fascia

- 14.01 Pedal Box, Pedals, Throttle Control
- 14.05 Fascia Structure & Supporting Hardware
- 14.05a Fascia Structure & Supporting Hardware AC Cars
- 14.10 Instrument Cowling/Binnacle

15.00 Interior Trim

- 15.05 Interior Driving Mirror & Sunvisors
- 15.11 Interior Trim & Stowage Provision
- 15.13 Front Door Trims
- 15.14 Interior Trims
- 15.19 Centre Tunnel Trim, Gear Lever Gaiters/Shrouds
- 15.23 Luggage Compartment Stowage
- 15.24 Luggage Compartment Carpet
- 15.30 Carpeting & Mats

17.00 Electrical

- 17.01 Harnesses, Leads
- 17.03 Horn, Inertia Switch, Modules, Fuses & Relays
- 17.05 Interior Switches, Auxiliary Power Socket
- 17.06 Engine Management & Sensors
- 17.06a ECM/Electrics Mounting Brackets
- 17.07 Instruments, Tell Tales, & Displays
- 17.11 Exterior Lamps, Except Headlamps
- 17.13 Headlamps
- 17.17 Interior Lamps
- 17.21 Windscreen Wiper Motor, Wipers & Washers
- 17.27 In Car Entertainment
- 17.31 Battery, Clamps & Cables
- 17.33 Security Alarm System, Parking Sensors & Camera



18.00 Heating, Ventilation, Air Conditioning

- 18.02 AC Evaporator Housing
 - 18.03 AC Components, Pipes, Hoses
 - 18.05 Heater, Pipes, Hoses
 - 18.07 Interior Blower Motor, Heater Matrix, Intakes & Ducting
 - 18.07a AC Interior Blower Motor
 - 18.07b AC/ Heater: Blower Motor/Heater Assy, Intakes & Ducting
 - 18.09 Driver Operated Controls
 - 18.09a AC/Heater Driver Operated Controls
 - 18.11 AC Vacuum Controls
 - 18.11a AC/Heater Vacuum Controls
 - 18.12 AC/Heater Air Distribution Plenum
 - 18.13 Air Trunking, Ducts & Ventilators
 - 18.14 AC Air Recirculation System
-

19.00 Labels & Literature

- 19.01 Labels, Certificates, Literature etc.
 - 19.03 Owner's Handbooks & Service Notes Manuals
-

30.00 Chassis

- 30.01 Chassis, Subframes
 - 30.02 Seat Belt Mounting Frames, Stays
 - 30.19 Longerons
-

31.00 Suspension

- 31.01 Front Suspension, Incl. Hubs
 - 31.03 Rear Suspension, Incl. Hubs
 - 31.03a Rear Suspension Incl. Hubs, Steel Hub Carrier
 - 31.03b Uniball Rear Toe Link Kit (MOTORSPORT)
-

32.00 Steering

- 32.01 Rack & Pinion, & Lower Column
 - 32.05 Upper Column, Steering Wheel
 - 32.06 Motorsport Steering Wheel Kit
-

33.00 Brakes

- 33.01 Brake Discs, Calipers, & Parking Brake Assembly
 - 33.03 Master Cylinder, Servo, ABS Controller, Pipes & Hoses
 - 33.05 Parking Brake Mechanism
-

34.00 Wheels & Tyres

- 34.01 Wheels, Tyres & Valves
-

40.00 Engine

- 40.00 Engine Assemblies
 - 40.01 Engine Block & Oil Pick Up
 - 40.01a Engine Mounts
 - 40.02 Gaskets & Sealants, Top Overhaul Set
 - 40.02a Gaskets & Sealants, Bottom Overhaul Set
 - 40.03 Sump Assembly
 - 40.05 Cylinder Head, Valves, Springs
 - 40.07 Camshafts, Tappets, Cam Cover
 - 40.07a Camshafts, Tappets, Cam Cover VVC
 - 40.09 Pistons, Con-rods, Liners
 - 40.11 Crankshaft, Bearings, Flywheel
 - 40.13 Water Pump Assembly, Thermostat
 - 40.15 Lubrication System
 - 40.17 Ignition System, Spark plugs & Plug Top Coils
 - 40.19 Alternator and Starter Motor
 - 40.21 Exhaust Manifold
 - 40.23 AC Compressor
-



41.00 Belts and Pulleys

- 41.01 Camshaft Belts, Guards & Pulleys
 - 41.01a Camshaft Belts, Guards & Pulleys, VVC
 - 41.03 Auxiliary Drive Belts & Pulleys
-

42.00 Induction Systems

- 42.01 Airboxes, Trunking & Air Filters
 - 42.04 Throttle Body, Mechanism & IAC Valve
 - 42.05 Fuel Injection System
 - 42.07 Inlet Manifold, Plenum & gaskets
 - 42.07a Inlet Manifolds, Plenum & Gaskets VVC
-

44.00 Fuel System

- 44.01 Fuel Tanks, Filler
 - 44.03 Fuel Pump; Filter, Pipes
 - 44.05 Charcoal Canister & Evaporative Loss System.
-

45.00 Exhaust

- 45.01 Exhaust System
 - 45.05 Heatshields
-

46.00 Cooling

- 46.01 Engine Cooling System & Fan
 - 46.02 Engine Cooling System
 - 46.03 Oil Cooler/Heat Exchanger & Pipes
-

47.00 Transmission

- 47.01 Clutch & Release Mechanism
- 47.03 Transmission Assembly
- 47.05 Gearchange Mechanism, External
- 47.06 Gear Selector Mechanism, Internal
- 47.07 Gears, Shafts & Bearings

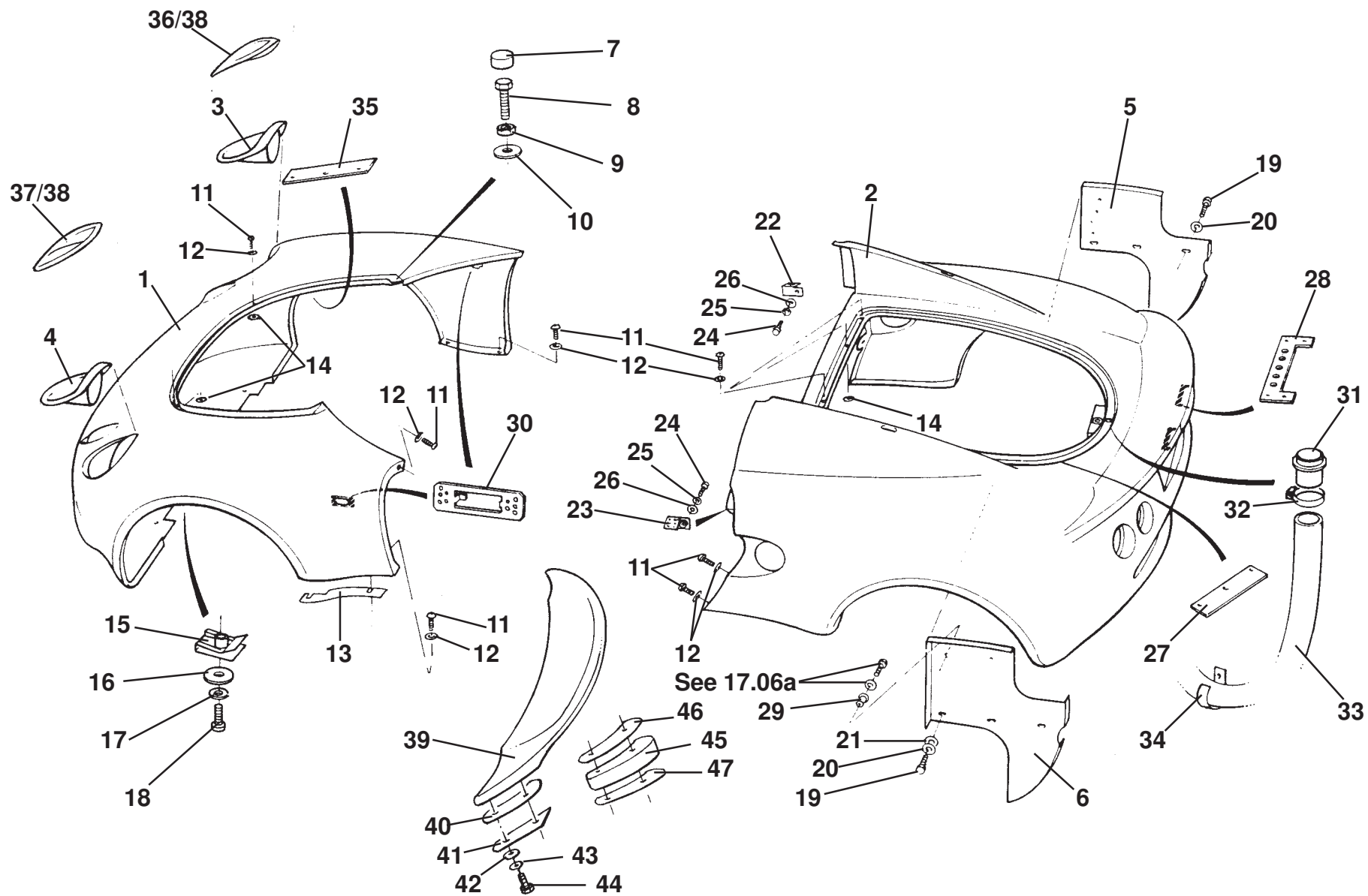
- 47.11 Final Drive & Bearings
 - 47.15 Driveshafts & Seals
-

60.00 Special tools

- 60.01 Tool Kit
 - 60.01a Diagnostic Equipment
 - 60.02 Special Tools
 - 60.03 Fire Extinguisher, Gulf States
-

80.00 Bulk Items

- 80.20a Touch-in Paint Pencil Range
-



ELISE
10.01

Service Parts List *ELISE*



Function Code 10.01 Body: Front & Rear Clamshells & Fixings

<u>Dep</u>	<u>Part Description</u>	<u>Remarks</u>	<u>Option</u>	<u>Part Number</u>	<u>Qty</u>
01	Front Clamshell**	Includes H/lamp bezels, items 3/4		B111B0170J	1
01a	Front Clamshell**	Less H/lamp bezels, items 3/4	111S, Sport 135, 160, 190, Type '49'	B111B0356J	1
02	Rear Clamshell, rectangular license plate	Prior to VIN* (see below), includes items 5 & 6	UK/Europe	A111B0169J	1
02a	Rear Clamshell, square license plate	Prior to VIN* (see below), includes items 5 & 6	Australia/Japan	A111B0325J	1
02b	Rear Clamshell/Boot-Box Assy., rectangular license plate	From VIN* (see below)	UK/Europe/plus Japan '99 MY on	B111B0169J	1
02c	Rear Clamshell/Boot-Box Assy., square license plate	From VIN* (see below)	Australia/plus Japan prior to '99 MY	B111B0325J	1
02d	Rear Clamshell/Boot-Box Assy., rectangular license plate	Also Sport 160, cars with spoiler & spats	111S, UK/Europe/plus Japan '99 MY on	A111B0582J	1
02e	Rear Clamshell/Boot-Box Assy., square license plate	Cars with spoiler & spats	111S, Australia/plus Japan prior to '99 MY	A111B0583J	1
03	Headlamp Bezel, RH			A111B0330K	1
04	Headlamp Bezel, LH			A111B0329K	1
05	Shear Plate, RH	Part of clamshell, items 2/2a		C111B0110F	1
06	Shear Plate, LH	Part of clamshell, items 2/2a		C111B0109F	1
07	Rubber Buffer			X046B6113Z	2
08	Setscrew, M8 x 35, hex. hd.			A075W1041Z	2

ELISE

Function Code: 10.01, Page: 1

Updated 5th December 2016

Function Code 10.01 Body: Front & Rear Clamshells & Fixings

<u>Dep</u>	<u>Part Description</u>	<u>Remarks</u>	<u>Option</u>	<u>Part Number</u>	<u>Qty</u>
09	Locknut, M8			A075W3026Z	2
10	Washer, flat, M8 x 25 x 1.4			A111W4156F	2
11	Screw, M8 x 25 btn cap blk, clamshell fix.			A111W7115F	18
11a	Screw, M8 x 25 btn cap s/s, clamshell fix.			A111W7175F	18
12	Washer, M8 x 25 blk			A111W4156F	18
12a	Washer, M8 x 25 s/s			A075W4021Z	18
13	Shimplate, (plastic), clamshell to sill, 1.6mm			A111U0285K	As req.
13a	Shimplate, (plastic), clamshell to sill, 2.4mm			A111U0286K	As req.
14	Washer, neoprene, M8 x 8 x 3			A111U6055F	8
15	Spirenut, M5			B100W6372F	3
16	Washer, flat, 3/16" x 3/4"			A075W4009Z	3
17	Washer, spring, 3/16"			A075W4030Z	3
18	Screw, pozi. M5 x 16, clamshell to front undertray			A082W5107F	3
19	Screw, M6 x 20, clamshell fix.			A082W5206F	6
20	Washer, shakeproof, M6,			A075W4046Z	6
21	Washer, flat, M6 x 15 x 1.5			A075W4015Z	6
22	Bracket, rear clamshell, RH	Part of clamshell assy.		B111B0114F	1
23	Bracket, rear clamshell, LH	Part of clamshell assy.		B111B0113F	1
24	Setscrew, M8 x 20, hex. hd. rear clamshell fix.			A075W1038Z	2
25	Washer, spring, M8			A075W4036Z	2
26	Washer, flat, M8 x 25 x 1.4			A075W4021Z	2

ELISE

Function Code 10.01 Body: Front & Rear Clamshells & Fixings

<u>Dep</u>	<u>Part Description</u>	<u>Remarks</u>	<u>Option</u>	<u>Part Number</u>	<u>Qty</u>
27	Bracket, short, harness to clamshell front and rear			A111M0021K	4
28	Mounting Plate, number plate lamp	Part of clamshell assy.		A111M0048F	2
29	Cage nut, M5, attachment of electrics panel			A111W6609F	2
30	Mounting Plate, indicator repeater lamp	Part of clamshell assy.		A111U0073F	2
31	Drain, engine cover gutter			A111B0176F	1
31a	Drain, engine cover gutter		Boot-box clamshell	A111U0432	
32	Hose Clip, 16 - 25mm			A079K6018F	1
33	PVC Tube, 5/8", engine cover gutter drain			A075U6083V	1
33a	PVC Tube, 5/8", engine cover gutter drain		Boot-box clamshell	A111U0432V	1
34	'P' Clip, open, drain tube fix.			A075W6230F	1
35	Bracket, long, harness to clamshell, front			A111M0020K	2
36	Headlamp Cover, 4.0mm, RH	Fits clamshell, item 1a	111S, Sport 135, 160, 190, Type '49'	B111U0328F	1
36a	Headlamp Cover, 1.5mm, RH	Fits clamshell, item 1	Accessory only	C111U0328F	1
37	Headlamp Cover, 4.0mm, LH	Fits clamshell, item 1a	111S, Sport 135, 160, 190, Type '49'	B111U0327F	1
37a	Headlamp Cover, 1.5mm, LH	Fits clamshell, item 1	Accessory only	C111U0327F	1
38	Butyl Seal, cover fixing.	A111U6071V R/B	111S, Sport 135, 160, 190, Type '49'	A100B6207V	1.8M
39	Rear Spoiler		111S, Sport 160	A111B0553K	1
39a	Rear Spoiler, GRP composite		MOTORSPORT	A111B0568J	1
39b	Rear Spoiler, part carbon fibre		MOTORSPORT	A111B0569J	1

ELISE

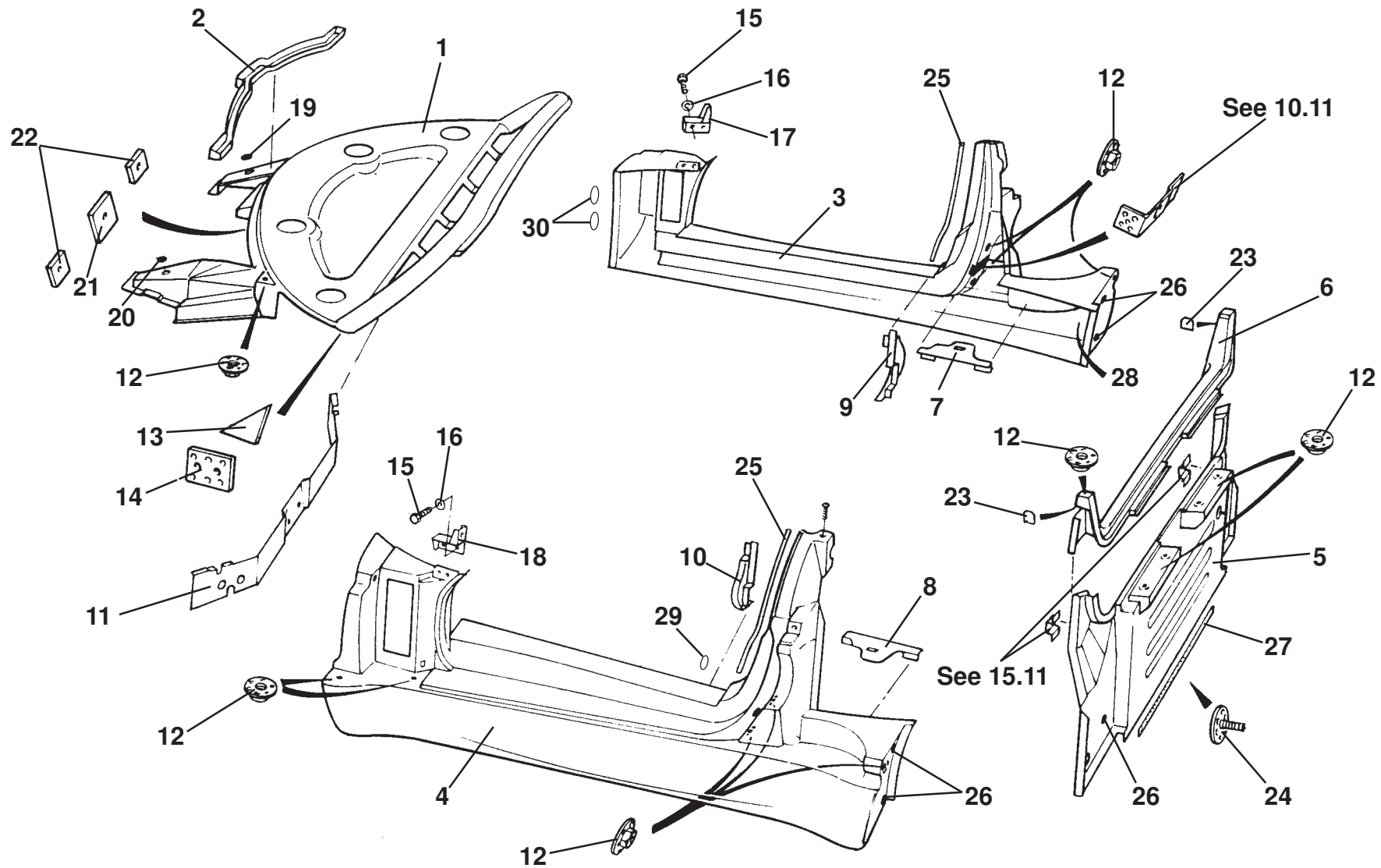
Function Code: 10.01, Page: 3

Updated 5th December 2016

Function Code 10.01 Body: Front & Rear Clamshells & Fixings

<u>Dep</u>	<u>Part Description</u>	<u>Remarks</u>	<u>Option</u>	<u>Part Number</u>	<u>Qty</u>
40	Gasket, rear spoiler to clamshell		111S, MOTORSPORT	A111B0552K	2
41	Spreader Plate		111S, Sport 160, MOTORSPORT	A111B0557F	2
42	Washer,flat, M8		111S, Sport 160, MOTORSPORT	A075W4020Z	4
43	Washer, spring, M8		111S, Sport 160, MOTORSPORT	A075W4036Z	4
44	Setscrew, M8 x 25, hex. hd., spoiler fix.		111S, MOTORSPORT	A111W1156F	4
44a	Setscrew, M8 x 45, hex. hd., spoiler fix.	For spoiler with plinth	Sport 160	A075W2040Z	4
45	Plinth, spoiler mounting, LH		Sport 160	A111B0703F	1
45a	Plinth, spoiler mounting, RH		Sport 160	A111B0702F	1
46	Gasket, plinth to spoiler, LH		Sport 160	A111U0515K	1
46a	Gasket, plinth to spoiler, RH		Sport 160	A111U0514K	1
47	Gasket, plinth to clamshell, LH		Sport 160	A111U0513K	1
47a	Gasket, plinth to clamshell, RH		Sport 160	A111U0512K	1
48	Blanking Grommet	Fuel pump fuse & ALDL access	Boot-box clamshell	A111U6061F	2
49	Elbow, gutter drain	Not illustrated	Boot-box clamshell	A111U6065F	1
		*VIN: W 4429 (approx.) plus; 4140, 4315, 4365, 4383. less 4653			
		**Some early cars had perspex headlamp covers, check the car before ordering			

ELISE



ELISE
10.02a

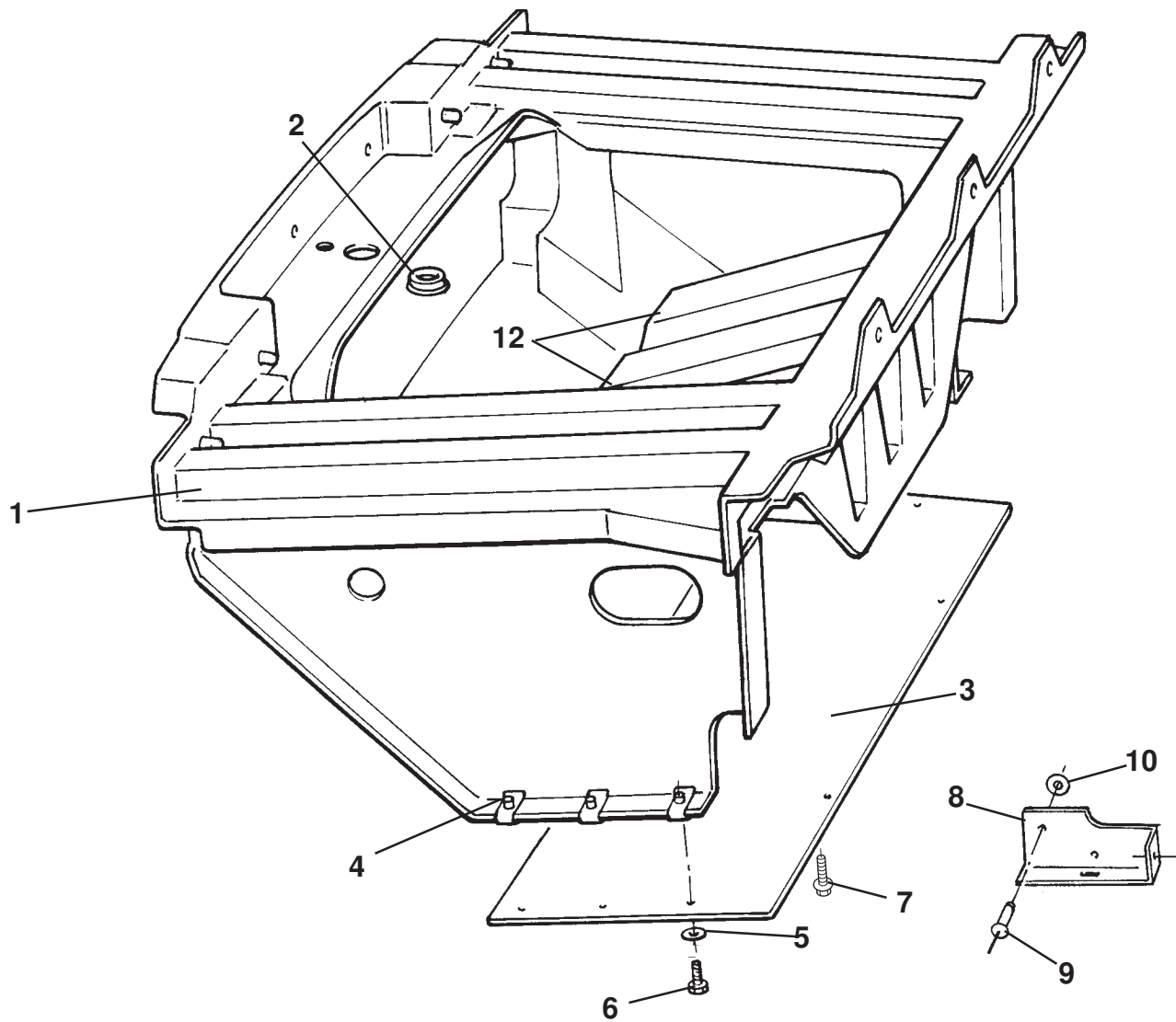
Function Code 10.02a Body: Sill Panels, Windscreen Frame & Rear Bulkhead

<u>Dep</u>	<u>Part Description</u>	<u>Remarks</u>	<u>Option</u>	<u>Part Number</u>	<u>Qty</u>
01	Windscreen Frame Assembly		Painted	B111B0173J	1
02	Gutter, windscreen frame			A111B0106K	1
03	Sill Panel, RH		RHD	A111B0168J	1
03a	Sill Panel, RH		LHD, A111B0166J R/B	A111B0168J	1
04	Sill Panel, LH		RHD	A111B0167J	1
04a	Sill Panel, LH		LHD, A111B0165J R/B	A111B0167J	1
05	Rear bulkhead Assembly	Prior to AC commonisation	Painted	A111B0172J	1
05a	Rear bulkhead Assembly	AC commonisation	Painted	A111B0376J	1
06	Capping Rail, rear bulkhead		Painted	B111B0006K	1
07	Panel, 'B' post closing, RH	Part of sill panel assy.		A111B0150K	1
08	Panel, 'B' post closing, LH	Part of sill panel assy.		A111B0149K	1
09	Baffle, sill panel, RH	Part of sill panel assy.		B111B0154K	1
10	Baffle, sill panel, LH	Part of sill panel assy.		B111B0153K	1
11	Baffle, scuttle to fascia top			B111B0026K	1
12	Captive Nut, M8, big hd.			A111W6592F	18
13	Packing Piece, screen frame			A111U0290F	2
14	Tapping Plate, screen frame			A111B0180F	2
15	Screw, M6 x 20, hex. hd.			A111W1155F	4
16	Washer, flat, M6 x 15 x x1.5			A082W4133F	4
17	Bracket, 'A' post, RH			B111B0112F	1
18	Bracket, 'A' post, LH			B111B0111F	1

ELISE

Function Code 10.02a Body: Sill Panels, Windscreen Frame & Rear Bulkhead

<u>Dep</u>	<u>Part Description</u>	<u>Remarks</u>	<u>Option</u>	<u>Part Number</u>	<u>Qty</u>
19	Grommet	Fitted driver's side only		X036B6010Z	1
20	Blanking Grommet, 12.5mm	Fitted passenger side only		A100B6163F	1
21	Plate, wiper assy. mounting, centre			B111B0009K	1
22	Plate, wiper assy. mounting, outer			B111B0010K	2
23	Backing Plate, capping rail			A111B0295F	2
24	Captive Stud. M6 X 25, bulkhead to heatshield fix.			A082W6310F	2
25	Edge Finisher, 'B' post			B111U0231K	2
26	Blanking Grommet, 12.5mm sill panels & bulkhead			A100B6163F	12
27	Foam Strip, self adhesive, 10 x 3mm, bulkhead/chassis seal			A111P0214K	1
28	Foam Strip, cellular PVC, self adhesive, inner sill panels			A111B6000V	As req.
29	Blanking grommet, passenger 'B' post	Fits unused engine cover release cable hole		A082B6057F	1
30	Universal Hole Plug, front RH sill panel	Covers holes for oil cooler pipes		A100V6065F	2



ELISE
10.04

Updated 2nd February 2015

Service Parts List

ELISE



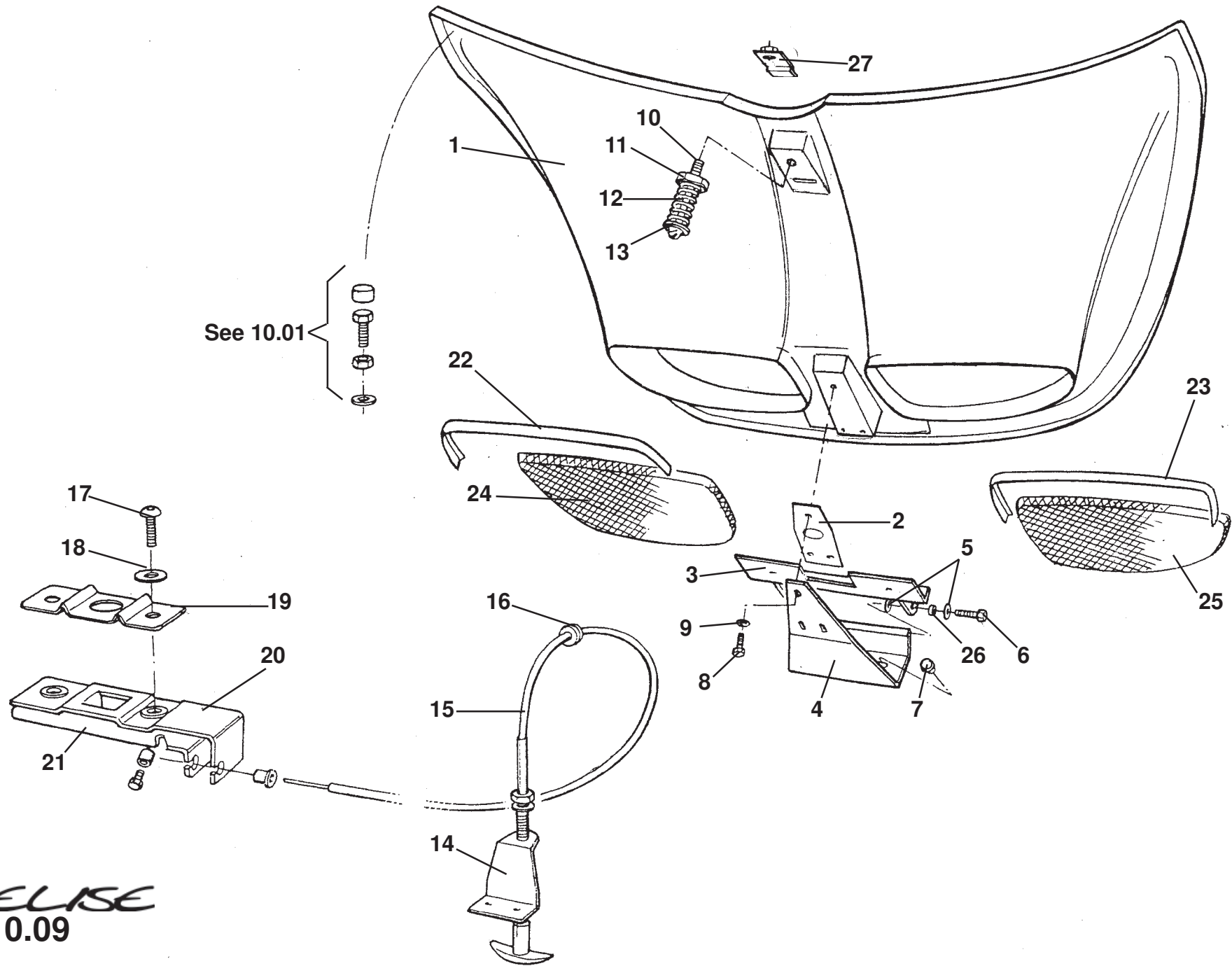
Function Code 10.04 Crash Structures

<u>Dep</u>	<u>Part Description</u>	<u>Remarks</u>	<u>Option</u>	<u>Part Number</u>	<u>Qty</u>
01	Front Crash Structure Assembly			C111B0012J	1
02	Grommet, blanking, crash structure			A082B6057F	1
03	Panel, front undershield			A111B0011F	1
03a	Panel, front undershield	With outlet holes for oil cooler	Sport 160, 190	A111B0400F	1
04	Spirenut M5, undershield fix			B100W6372F	6
05	Screw, M5 x 16, pozi., undershield fix			A111W1163F	6
06	Washer M5 x 18 x 1.5, undershield fix.			A075W4015Z	6
07	Screw, M6 x 12, flg. hd., undershield fix.			A111E6007F	3
08	Alloy Plate. LH	For A/R bar with rubber pivot bushes	From VIN: W 3039	A111B0531F	1
08a	Alloy Plate, RH	For A/R bar with rubber pivot bushes	From VIN: W 3039	A111B0530F	1
09	Pop Rivet, plate fix.			A085W6259F	6
10	Washer, flat, 3/16" x 1/2", plate to crash structure			A075W4000Z	4
11	Betaseal 1701, crash structure bonding	Not illustrated		A082B6281F	300mm
12	Grille, leaf green	Bonded to crash structure		A117B0466F	2

ELISE

Function Code: 10.04, Page: 1

Updated 2nd February 2015



ELISE
10.09

Service Parts List *ELISE*



Function Code 10.09 Front Services Access Panels

<u>Dep</u>	<u>Part Description</u>	<u>Remarks</u>	<u>Option</u>	<u>Part Number</u>	<u>Qty</u>
01	Front Bonnet Assembly			A111B0076J	1
02	Shim, 1mm, hinge to bonnet			A111U0374F	As req.
02a	Shim, 4mm, hinge to bonnet			A111U0375F	As req.
03	Bracket Front Hinge	Bonded to front clamshell		B111U0028F	1
04	Hinge Rotor			B111U0029F	1
05	Washer, shakeproof, M5			A075W4045Z	2
06	Setscrew M5 x 16, hex. hd.	Hinge pivot		A082W1088F	2
07	Buffer, hinge upstop			A075U6050F	2
08	Setscrew, M6 x 25, hex. hd.			A111W1150F	3
09	Washer, flat, M6 x 14			A082W4133F	3
10	Striker Pin			A082U6091F	1
11	Nut, striker pin			A111U6021F	1
12	Spring, striker pin			A111U6023F	1
13	Spring Retainer Cup			A111U6022F	1
14	Abutment, release cable			A111U0096F	1
15	Release Cable, front bonnet			B111U0031F	1
16	Grommet			A082L6159F	1
17	Screw, M8 x 20, pan hd.,pozi.			A075W5095Z	2

ELISE

Function Code: 10.09, Page: 1

Updated 1st December 2014

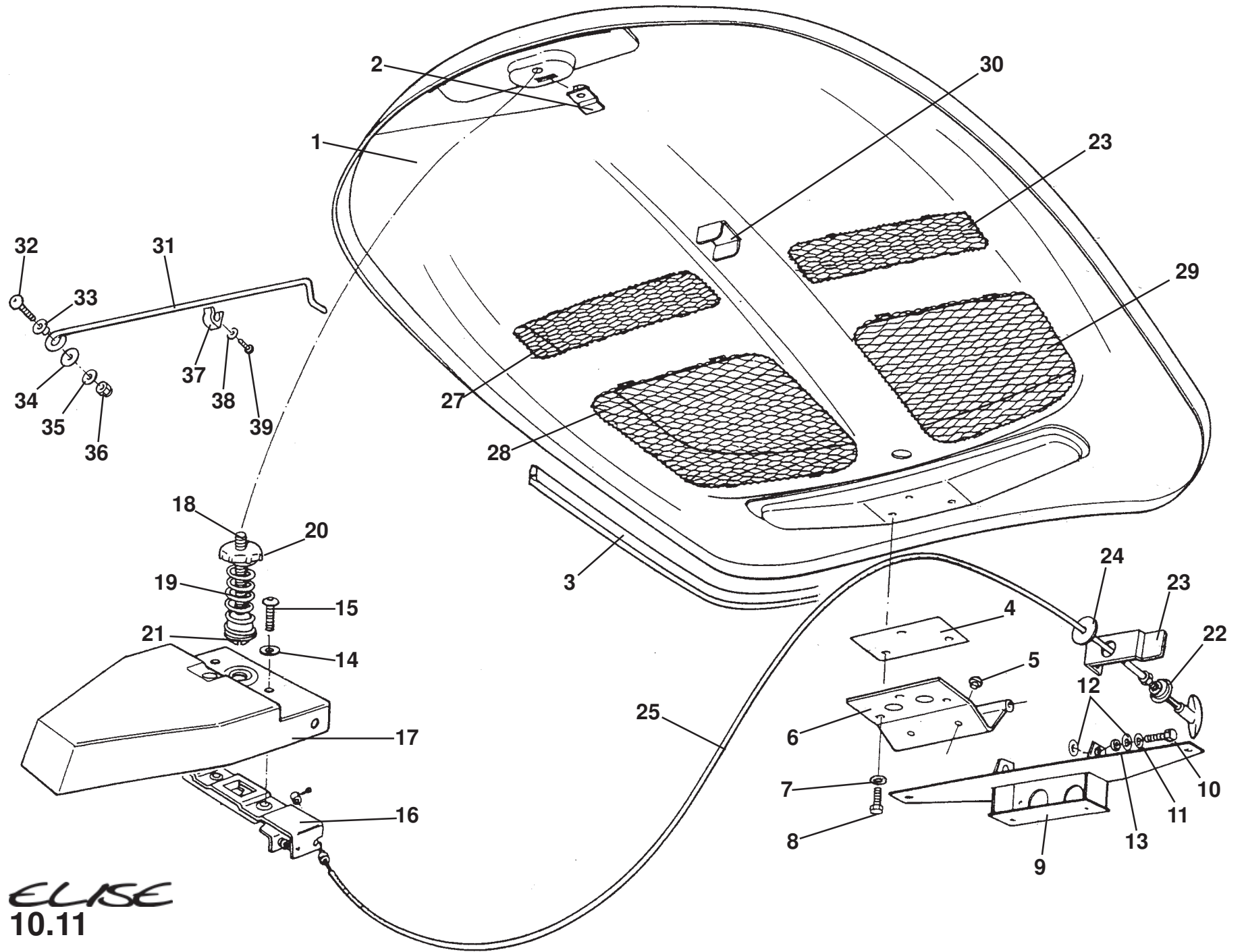
Function Code 10.09 Front Services Access Panels

<u>Dep</u>	<u>Part Description</u>	<u>Remarks</u>	<u>Option</u>	<u>Part Number</u>	<u>Qty</u>
18	Washer, shakeproof, M8			A075W4048Z	2
19	Guide Plate			A100U0035F	1
20	Slider Assembly			A082U6087F	1
21	Spring, slider assembly			A111U6020F	1
22	Finisher, outlet grille LH			A111B0135K	1
23	Finisher, outlet grille RH			A111B0134K	1
24	Outlet Grille, LH			A111B0130F	1
24a	Outlet Grille, gold, LH		JPS 111S	A111B0663F	1
25	Outlet Grille, RH			A111B0131F	1
25a	Outlet Grille, gold, RH		JPS 111S	A111B0662F	1
26	Spacer Hinge Pivot			A111U6035F	2
27	Nut Plate, M10, floating, striker pin fix.			A111U0032F	1

ELISE

Function Code: 10.09, Page: 2

Updated 1st December 2014



ELISE
 10.11

Service Parts List *ELISE*



Function Code 10.11 Tailgate & Release Mechanism

<u>Dep</u>	<u>Part Description</u>	<u>Remarks</u>	<u>Option</u>	<u>Part Number</u>	<u>Qty</u>
01	Engine Cover Assembly, alloy	With locating channel for boot bag lid	Boot bag clamshell	B111B0086J	1
01a	Engine Cover Assembly, alloy	With locating bracket for cover prop	Boot-box clamshell	C111B0086J	1
01b	Engine Cover Assembly, composite	All cars from VIN: X 5722	111S	A111B0421K	1
02	Nut Plate, M10, floating			B111U0032F	1
03	Weather Seal, clamshell flange			A089U6055F	As req.
04	Shim, 1mm, hinge to engine cover			A111U0372F	As req.
04a	Shim, 4mm, hinge to engine cover			A111U0373F	As req.
05	Buffer, hinge upstop			A075U6050F	2
06	Hinge Rotor			B111U0034F	1
07	Washer, flat, M6 x 14			A082W4133F	3
08	Setscrew, M6 x 25 hex. hd.			A111W1150F	3
09	Bracket Rear Hinge	Bonded into engine bulkhead		C111U0033F	1
10	Screw, M5 x16, pan hd. pozi.	Hinge pivot		A082W1088F	2
11	Washer, shakeproof, M5			A075W4045Z	2
12	Washer, flat, 3/16 x 3/4			A082W4107F	4
13	Spacer, hinge pivot			A111U6035F	2
14	Washer, shakeproof, M8			A075W4048Z	2

ELISE

Function Code: 10.11, Page: 1

Updated 1st December 2014

Function Code 10.11 Tailgate & Release Mechanism

<u>Dep</u>	<u>Part Description</u>	<u>Remarks</u>	<u>Option</u>	<u>Part Number</u>	<u>Qty</u>
15	Screw, M8 x 20, pan hd. pozi.			A075W5095Z	2
16	Slider Assembly			A082U6087F	1
17	Mounting Plinth, latch assy.	Bonded to rear clamshell		B111B0158K	1
18	Striker Pin			A082U6091F	1
19	Spring, striker pin			A111U6023F	1
20	Nut, striker pin			A111U6021F	1
21	Spring Retainer Cup			A111U6022F	1
22	Finisher Ring, release handle to 'B' post			A111U0142K	1
23	Abutment, engine cover release cable			A111U0141F	1
24	Grommet, 5mm ID, release cable			A111B0085K	1
25	Cable, engine cover release			A111U0553F	1
26	Grille, rear, RH	Alloy engine cover		B111B0046F	1
26a	Grille, rear, RH	Composite engine cover	111S/ VIN: X 5722 on	A111B0538F	1
26b	Grille, gold, rear, RH	Composite engine cover	JPS 111S	A111B0666F	1
27	Grille, rear, LH	Alloy engine cover		B111B0047F	1
27a	Grille, rear, LH	Composite engine cover	111S/ VIN: X 5722 on	A111B0539F	1
27b	Grille, gold, rear, LH	Composite engine cover	JPS 111S	A111B0667F	1
28	Grille, front, LH	Alloy engine cover		B111B0045F	1
28a	Grille, front, LH	Composite engine cover	111S/ VIN: X 5722 on	A111B0537F	1
28b	Grille, gold, front, LH	Composite engine cover	JPS 111S	A111B0665F	1
29	Grille, front, RH	Alloy engine cover		B111B0044F	1

ELISE

Function Code: 10.11, Page: 2

Updated 1st December 2014

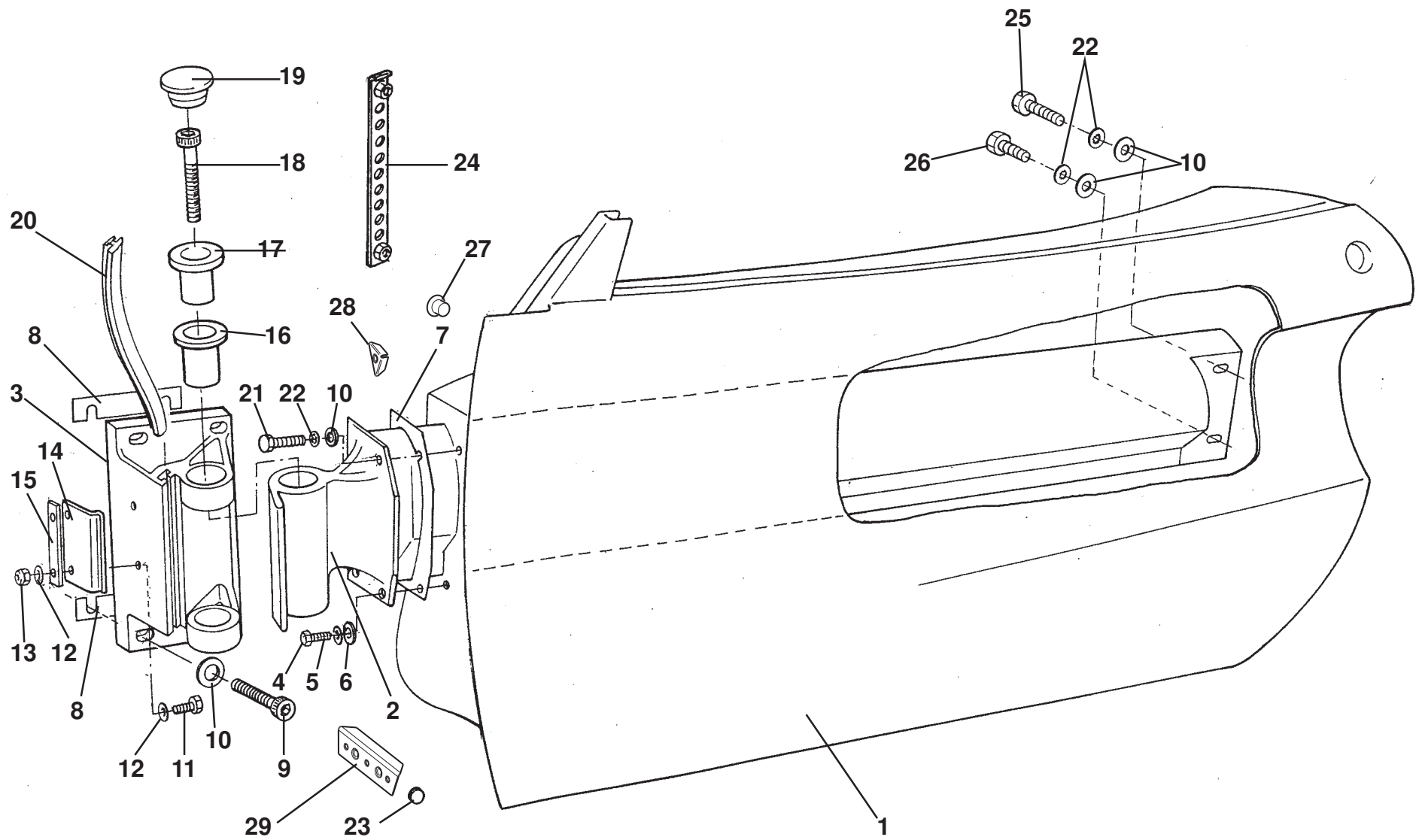
Function Code 10.11 Tailgate & Release Mechanism

<u>Dep</u>	<u>Part Description</u>	<u>Remarks</u>	<u>Option</u>	<u>Part Number</u>	<u>Qty</u>
29a	Grille, front, RH	Composite engine cover	111S/ VIN: X 5722 on	A111B0536F	1
29b	Grille, gold, front, RH	Composite engine cover	JPS 111S	A111B0664F	1
30	Locating Channel, boot bag lid, alloy engine cover	Bonded to engine cover	Boot bag cars	A111U0248F	1
30a	Locating Bracket, prop, alloy engine cover	Bonded to engine cover	Boot-box prior to VIN: X 5722	A111U0474K	1
30b	Locating Bracket, prop, composite engine cover	Bonded to engine cover	111S/ VIN: X 5722 on	A111U0474K	1
31	Prop, alloy engine cover		Boot-box prior to VIN: X 5722	A111U0473F	1
31a	Prop, composite engine cover		111S/ VIN: X 5722 on	B111U0435F	1
32	Setscrew, M6 x 25, button hd., blk.			A075W7016Z	1
33	Pivot Bush, prop			A089U1518F	1
34	Washer, flat, M8 x 25			B075W4021Z	1
35	Washer, flat, M10 x 20.5, blk.			A075W4024Z	1
36	Nyloc Nut, M6			A075W3009Z	1
37	Retaining Clip, prop			A082W6325F	1
38	Washer, flat, 3/16 x 1/2", blk.			A075W4063Z	1
39	Screw, No.8 x 3/8", pan hd. pozi., blk.			A082W5187F	1

ELISE

Function Code: 10.11, Page: 3

Updated 1st December 2014



ELISE
10.15

Updated 24th January 2013

Service Parts List *ELISE*



Function Code 10.15 Door Shells, Beams, Hinges

<u>Dep</u>	<u>Part Description</u>	<u>Remarks</u>	<u>Option</u>	<u>Part Number</u>	<u>Qty</u>
01	Door Assembly, LH	Includes front glass guide channel		B111B0061J	1
01a	Door Assembly, RH	Includes front glass guide channel		B111B0060J	1
02	Door Beam, LH			C111U0023F	1
02a	Door Beam, RH			C111U0022F	1
03	Hinge, chassis to door beam			A111U0055F	2
04	Setscrew, M6 x 20, hex. hd., beam to door fix.			A075W1030Z	4
05	Washer, shakeproof, M6			A075W4046Z	4
06	Washer, flat, M6 x 1.5			A075W4015Z	4
07	Spacer, door beam	Obsolete 31/01/97		B111U0196F	2
08	Shim, door hinge, 1.0mm			A111B0316F	As req
08a	Shim, door hinge, 1.5mm			A111B0317F	As req
08b	Shim, door hinge, 2.0mm			B111B0314F	As req.
08c	Shim, door hinge, 3.0mm			B111B0315F	As req
09	Screw, M8 x 30, cap hd.			A089W7052F	8
10	Washer, flat, M8 x 16.6 x 1.4			A075W4020Z	18
11	Screw, M6 x M20, hex. hd.			A075W1030Z	4
12	Washer, flat, M6			A075W4013Z	8
13	Nut, M6, Nyloc			A075W3009Z	4

ELISE

Function Code: 10.15, Page: 1

Updated 1st December 2013

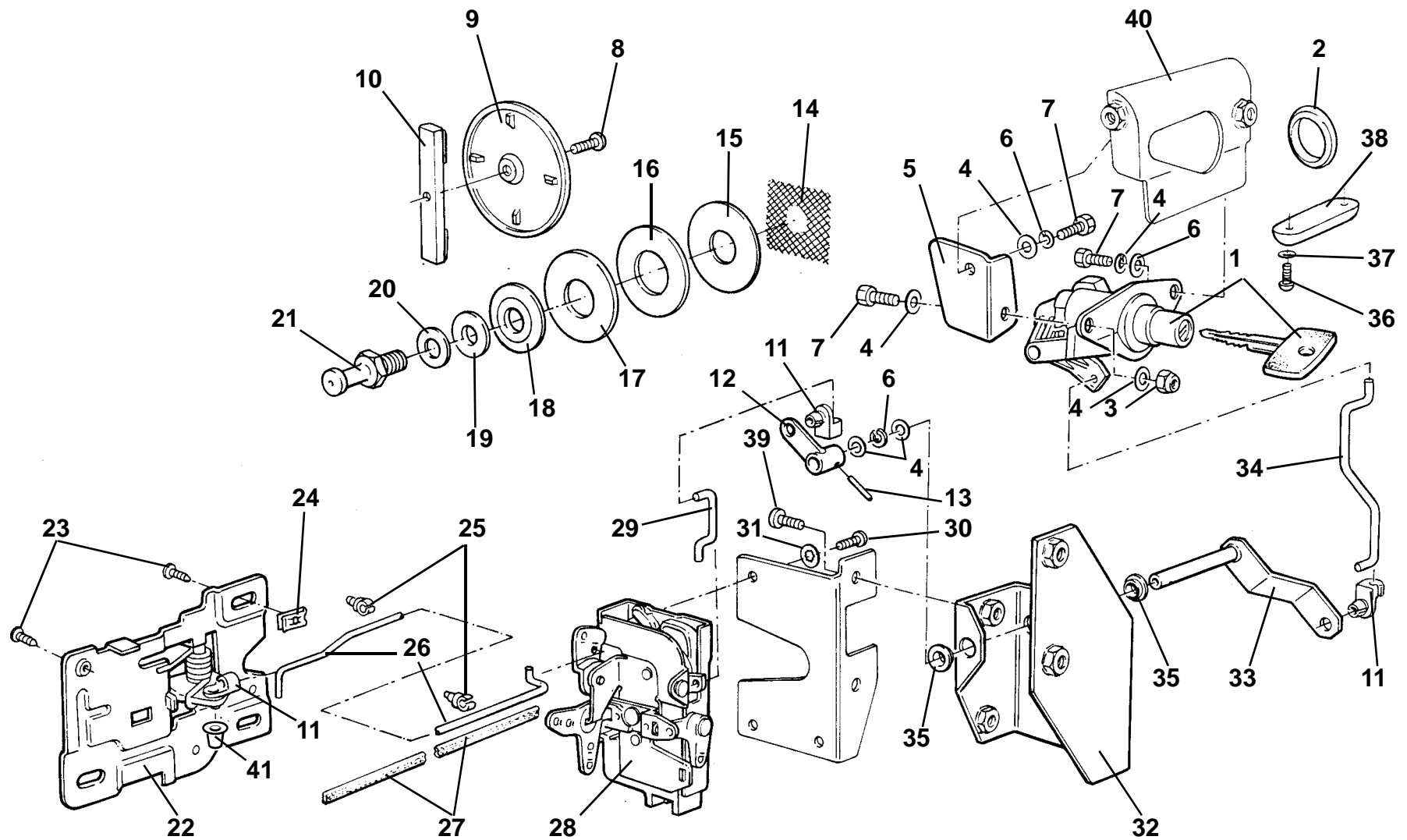
Function Code 10.15 Door Shells, Beams, Hinges

<u>Dep</u>	<u>Part Description</u>	<u>Remarks</u>	<u>Option</u>	<u>Part Number</u>	<u>Qty</u>
14	Spring Plate, door check	use in conjunction with support plate see SB 1998/16		C111B0174F	2
15	Support Plate, door check spring			C111B0175F	2
16	Bearing, door hinge			A111U6025F	4
17	Bush, door hinge			A111U0057F	4
18	Screw, M10 x 30, cap hd.			A075W7030F	4
19	Dust Cap, door hinge			A111U6024F	2
20	Door Stop Buffer Strip	Cut to fit, 135mm, 2 off	B111B0178K R/B	B111B0177V	As req.
21	Setscrew, M8 x 20, hex. hd.	Door beam to door		A075W1038Z	4
22	Washer, shakeproof, M8			A075W4048Z	10
23	Buffer, self adhesive, door shut gap			A111J6025F	10
24	Nutplate, door hinges	Fitted in chassis		A111U0056F	4
25	Bolt, M8 x 45, hex,hd.,beam to rear bracket, upper			A075W2040Z	2
26	Setscrew, M8 x 25, hex. hd.,, beam to rear bracket, lower			A075W1039Z	2
27	Finisher Ring, door drainholes			A075P6064F	2
28	Nutplate, door to beam, upper	Bonded inside doorshell		B111B0082F	2
29	Nutplate, door to beam, lower	Bonded inside doorshell		A111B0081F	2
door curtain not available					

ELISE

Function Code: 10.15, Page: 2

Updated 1st December 2013



ELISE
10.17

Updated 30th September 2019

Service Parts List *ELISE*



Function Code 10.17 Door Latch Mechanism

<u>Dep</u>	<u>Part Description</u>	<u>Remarks</u>	<u>Option</u>	<u>Part Number</u>	<u>Qty</u>
01	Vehicle Lock Set	Comprising; 2 door lock assys., 1 steering lock barrel, pair of keys		A111U0326S	1
02	Blanking Grommet, linkage access hole			A082B6057F	2
03	Nut, nyloc, M6, support brkt fix			A075W3009Z	2
04	Washer, flat, M6 x 12.1 x 1.4, support brkt fix			A075W4013Z	12
05	Support Bracket, release button, LH			A111U0093F	1
05a	Support Bracket, release button, RH			A111U0092F	1
06	Washer, spring, M6, support brkt. fix.			A075W4035Z	6
07	Setscrew, M6 x 16, support brkt. fix.			A075W1028Z	6
08	Screw, M5 x 10, pozi, cover plate fix			A111W5223F	2
09	Cover Plate, mechanism access hole			B111U0094K	2
10	Fixing Strap, cover plate			A111U0095K	2
11	Nylon Clip, linkage retention	See SB 2008/15 if fitting to items 22 & 22a		A082U6267F	4
12	Lever, door latch release			A111U0122F	2
13	Roll Pin, door latch lever to spindle retention			A111U6560F	2
14	Shim, expanded stainless, door striker attachment			A111U0215F	2
15	Shim, 2mm, door striker pin			A111U0220F	2
16	Shim, 4mm, door striker pin			A111U0219F	2

ELISE

Function Code: 10.17, Page: 1

Updated 30th September 2019

Function Code 10.17 Door Latch Mechanism

<u>Dep</u>	<u>Part Description</u>	<u>Remarks</u>	<u>Option</u>	<u>Part Number</u>	<u>Qty</u>
17	Front Collar, door striker pin			A111U0138F	2
18	Finisher, door striker pin			A111U0137K	2
19	Washer, striker			A111U0136F	2
20	Washer, flat, M12 x 24 x 1.6, door striker pin			A075W4071F	2
21	Striker Pin, door latch			A111U6003F	2
22	Release, door latch, interior, LH	Includes handle		A111U6005F	1
22a	Release, door latch, interior, RH	Includes handle		A111U6004F	1
23	Screw, No. 8 x 3/4", pozi., door release fix.			A075W5074Z	6
24	Spire Nut, No 8 captive, door release fix.			A075W6016Z	4
25	Plastic Clip, interior release rod guide			A075J6027Z	4
26	Rod, interior release to latch, LH			B111U0133F	1
26a	Rod, interior release to latch, RH			B111U0132F	1
27	Foam Strip, 19 x 3mm			A082U6067F	As req.
28	Latch mechanism, LH			A111U0389S	1
28a	Latch mechanism, RH			A111U0388S	1
29	Rod, latch to lever assy.			A111U0134F	2
30	Screw, M6 x 12, pozi., door latch/ bracket fix.			A111W5214F	10
31	Washer, shakeproof, M6, door latch fix.			A075W4046Z	6
32	Bracket, door beam attachment, LH			A111U0069F	1
32a	Bracket, door beam attachment, RH			A111U0068F	1
33	Spindle/Lever, door latch release, LH			C111U0121F	1

ELISE

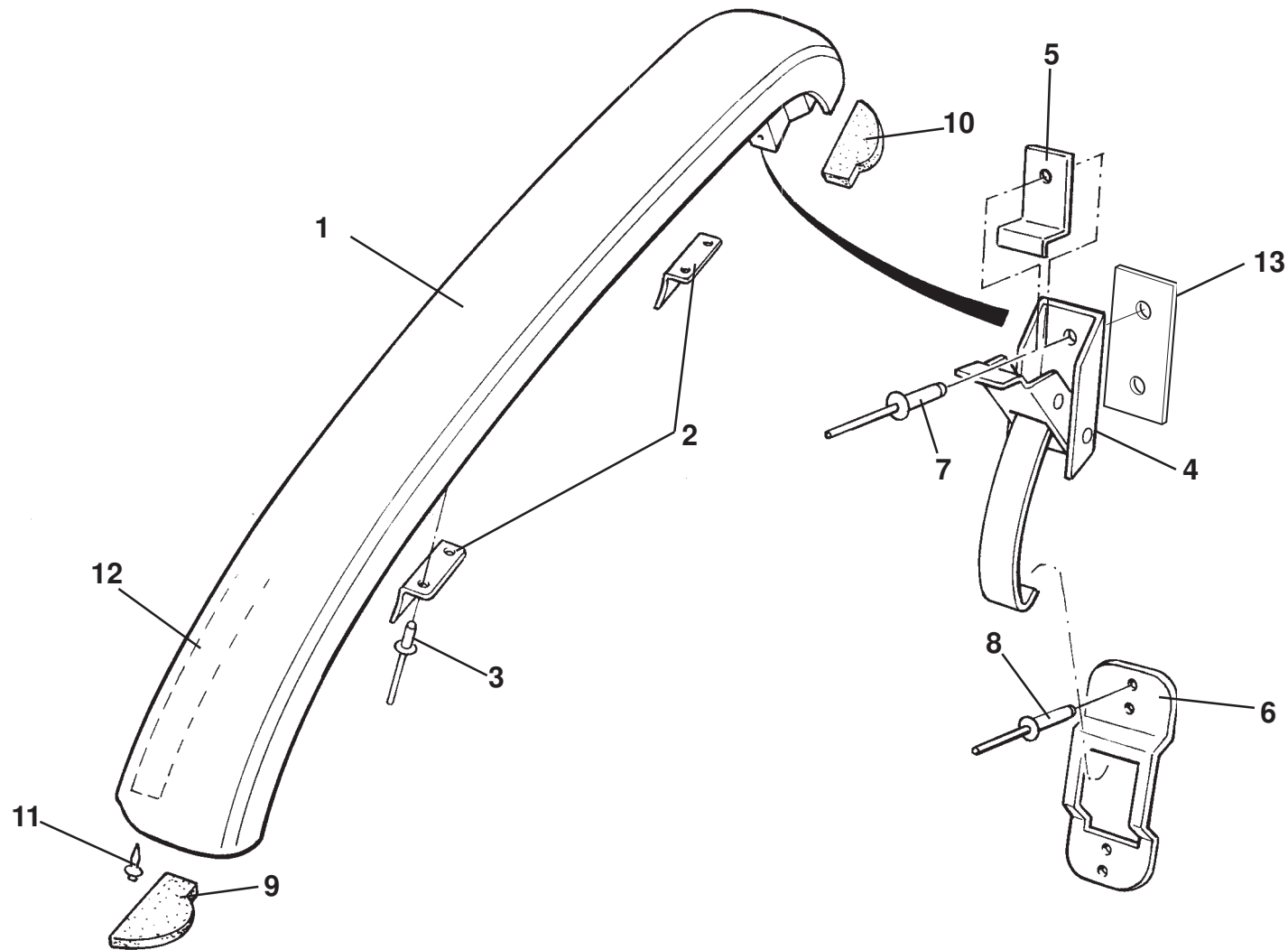
Function Code: 10.17, Page: 2

Updated 30th September 2019

Function Code 10.17 Door Latch Mechanism

<u>Dep</u>	<u>Part Description</u>	<u>Remarks</u>	<u>Option</u>	<u>Part Number</u>	<u>Qty</u>
33a	Spindle/Lever, door latch release, RH			C111U0120F	1
34	Rod, latch to release button			B111U0135F	2
35	Bush, lever/spindle assy.			A111U6018F	4
36	Screw, M4 x 16 pozi., exterior door pull fix.			A100W5133F	4
37	Washer, flat, M4 x 9 x 0.8, exterior door pull fix.			A082W4099F	4
38	Door Pull, exterior			A111B0028F	2
39	Screw, bracket to door			A111W5214F	4
40	Bracket, release button LH			B111U0091F	1
40a	Bracket, release button RH			B111U0090F	1
41	Bush, nylon	Fits clip 11 into handle 22/22a see SB 2008/15	A111U6049F R/B	A120U6012F	2

ELISE**Function Code: 10.17, Page: 3***Updated 30th September 2019*



ELISE
10.20

Updated 24th January 2013

Service Parts List

ELISE



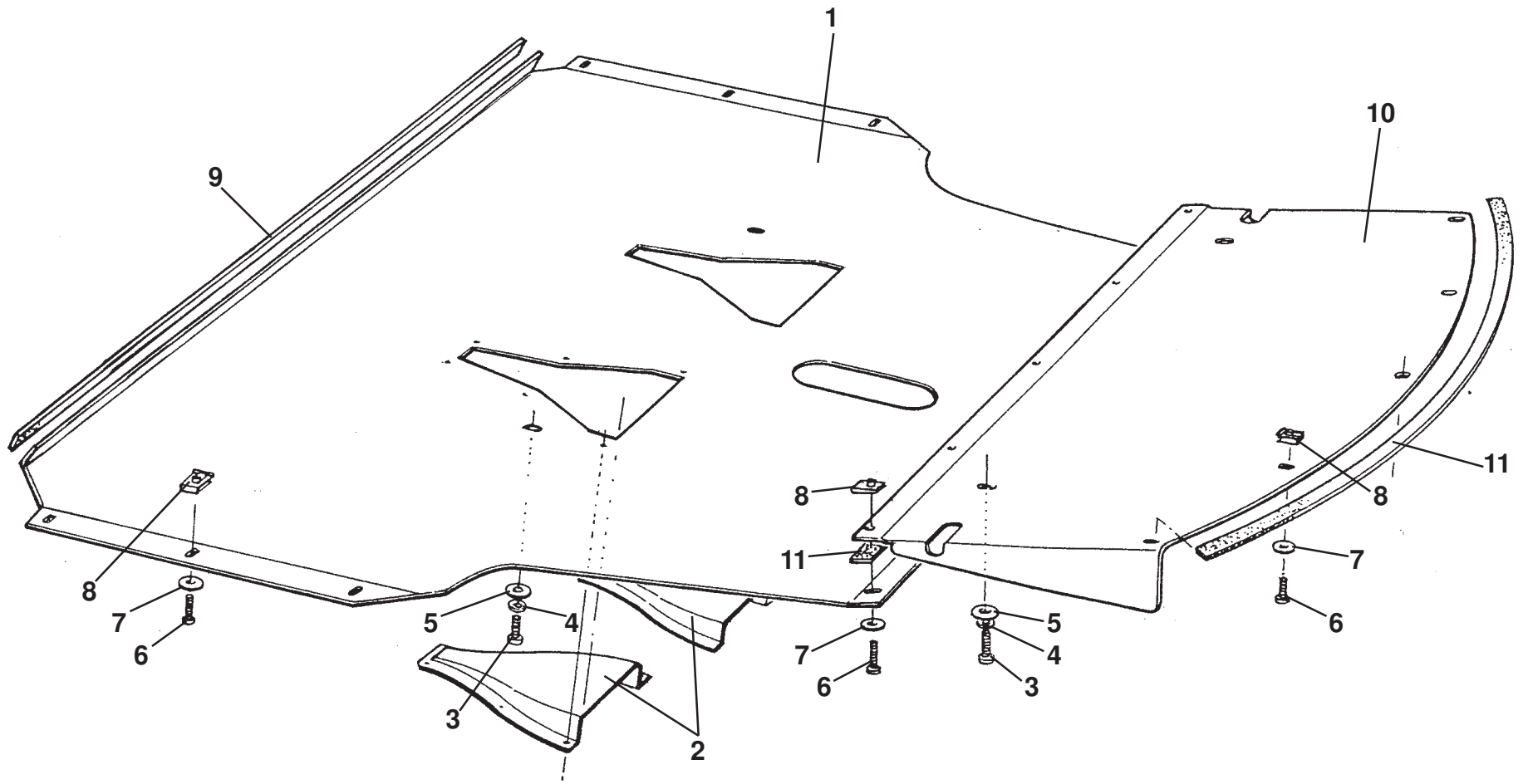
Function Code 10.20 Rear Window Shroud & Fixings

<u>Dep</u>	<u>Part Description</u>	<u>Remarks</u>	<u>Option</u>	<u>Part Number</u>	<u>Qty</u>
01	Roll Over Bar Fairing			A111B0239J	1
02	Clip Upper, rear window retaining			B111B0291F	2
03	Pop Rivet, rear window clip fix.			A075W6070Z	4
04	Latch Assembly, fairing retention			A111B6054F	2
05	Safety Catch			A111U6036F	2
06	Keeper Plate			B111B0290F	2
07	Pop Rivet, latch fix.			A075W6070Z	4
08	Pop Rivet, keeper fix.			A082W6512F	8
09	Gasket, roll bar cover LH			C111B0247F	1
10	Gasket, roll bar cover RH			C111B0248F	1
11	Buffer, plastic fastener			A111W6535F	2
12	Lining, roll over bar fairing			A111V0159K	2
13	Backing Plate, latch to fairing	Bonded inside fairing		B111B0243F	2

ELISE

Function Code: 10.20, Page: 1

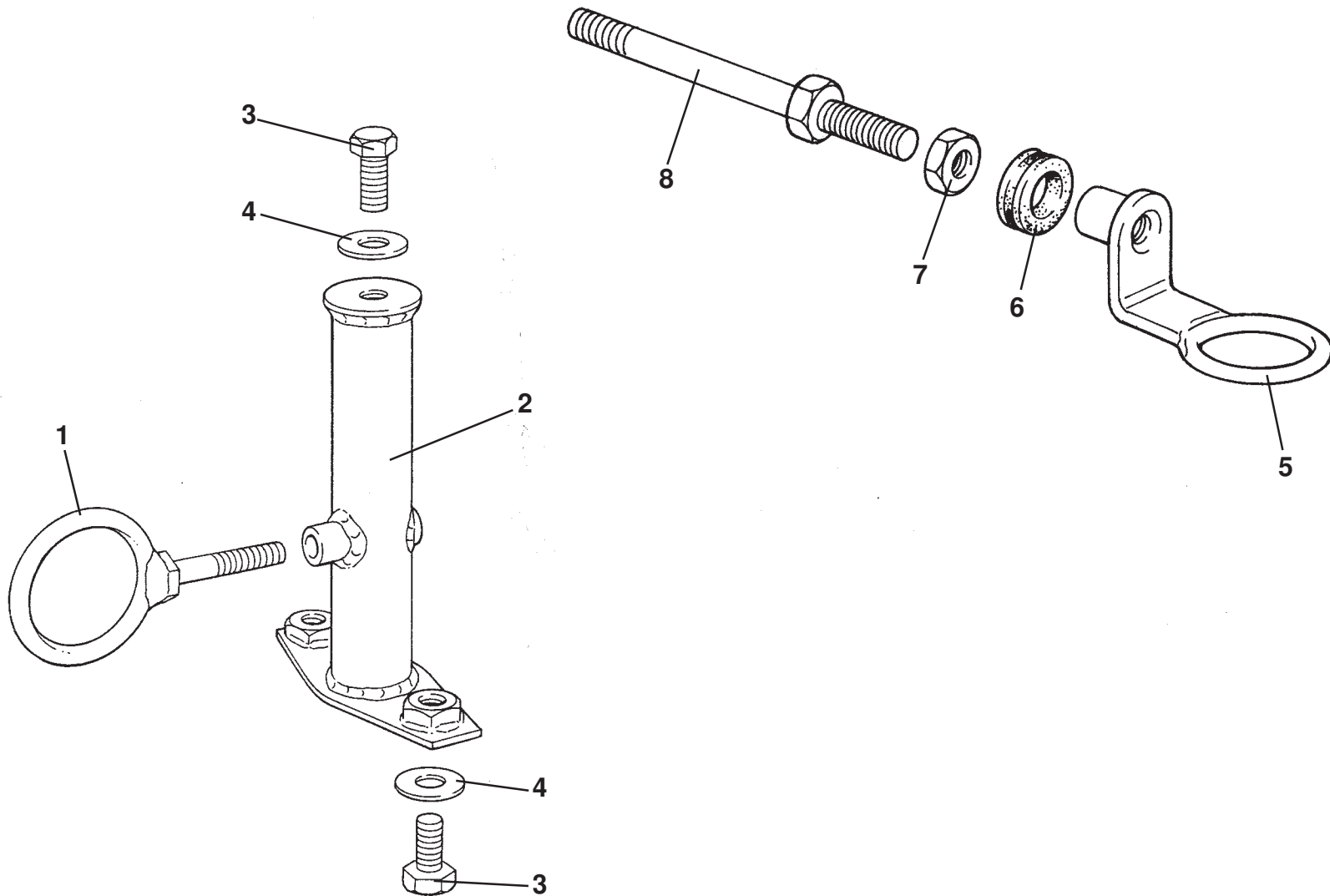
Updated 24th January 2013



ELISE
10.25

Function Code 10.25 Undertray & Diffuser

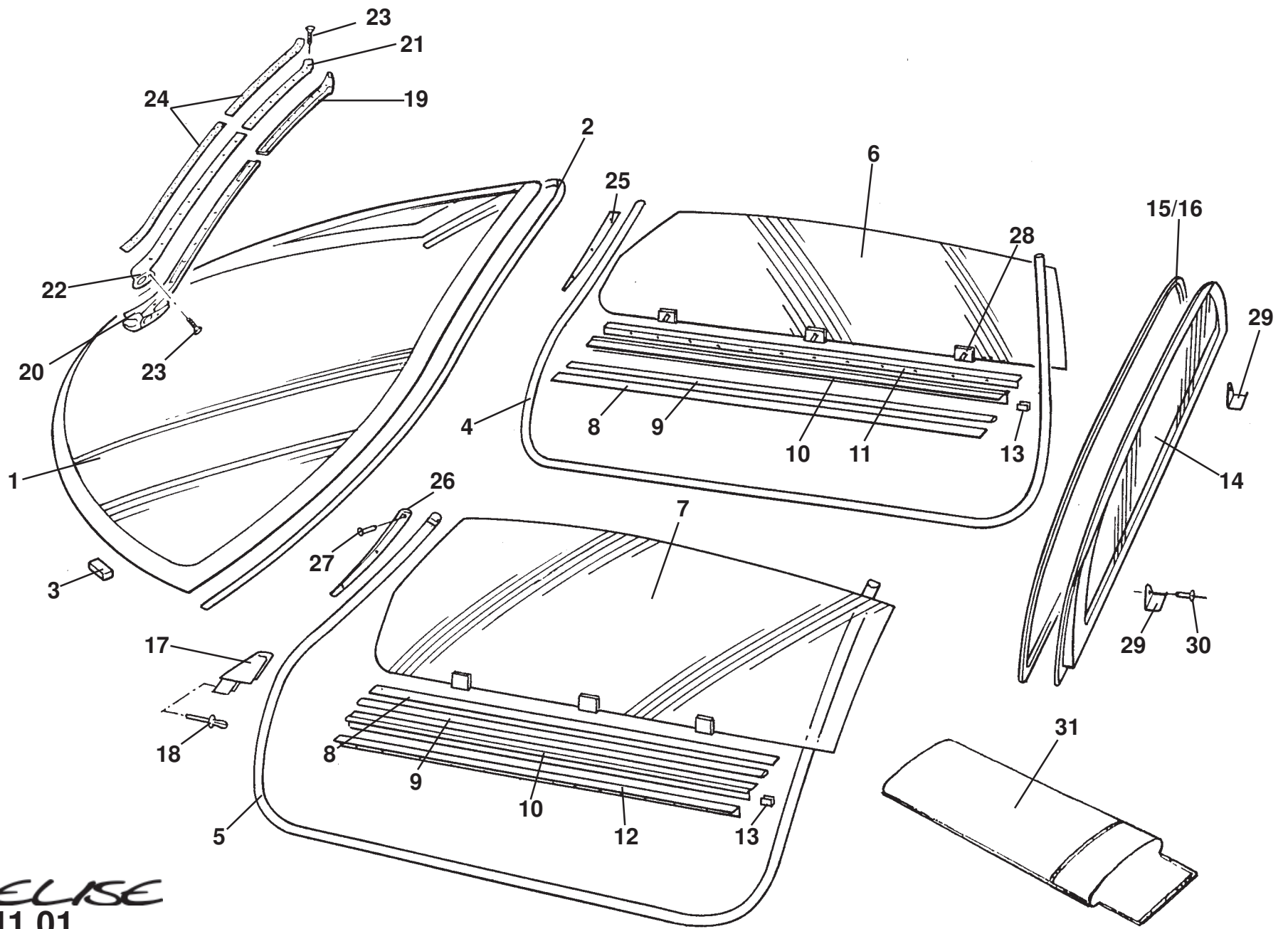
<u>Dep</u>	<u>Part Description</u>	<u>Remarks</u>	<u>Option</u>	<u>Part Number</u>	<u>Qty</u>
01	Undertray	Without NACA ducts	B111A0214F R/B	A340A0020F	1
01a	Undertray Assembly	With NACA ducts	A111A0220J	B111A0220J	1
02	NACA Duct	Part of item 1		A111A0218K	2
03	Screw, M8 x 25, button hd.			A111W7115F	4
04	Washer, spring, M8			A075W4036Z	4
05	Washer, flat, M8 x 25 x 1.4			A111W4156F	4
06	Screw, M5 x 16, hex. hd.		A082W5107F R/B	A111W1163F	16
07	Washer, flat, M5 x 25 x 1.4			A082W4098F	16
08	Spire Nut, M5			B100W6372F	16
09	Foam Strip, self adhesive, 10mm x 6mm			A100B0431V	As req.
10	Diffuser			B111A0215F	1
11	Foam Strip, self adhesive, 19mm x 3mm			A082U6067F	3



ELISE
10.31

Function Code 10.31 Towing Strut/ Hook

<u>Dep</u>	<u>Part Description</u>	<u>Remarks</u>	<u>Option</u>	<u>Part Number</u>	<u>Qty</u>
01	Towing Eye	Prior to 111S intro.		A111B0058F	1
01a	Towing Eye	All cars from 111S intro.	111S	A111B0399F	1
02	Mounting Strut, towing eye	Prior to 111S intro.		B111B0057F	1
02a	Mounting Strut, towing eye	All cars from 111S intro.	111S	A111U0456F	1
03	Setscrew, M8 x 35, hex. hd., grade 8.8 Zn			A075W1035Z	3
04	Washer, flat, M8 x 1.4 Zn			A075W4021Z	3
05	Towing Eye, rear	Fixed to roll over bar reinforcement assy.	MOTOR SPORT	A111A0270F	1
06	Grommet	Fitted in polycarbonate rear window	MOTOR SPORT	X036B6167Z	1
07	Lock Nut, M12, towing eye fix.		MOTOR SPORT	A100W3107F	1
08	Stud, M12, towing eye to roll-over bar		MOTOR SPORT	A111A0265S	1



ELISE
11.01

Updated 3rd October 2016

Service Parts List *ELISE*



Function Code 11.01 Windscreen, Door Glass, Seals & Weather Strips

<u>Dep</u>	<u>Part Description</u>	<u>Remarks</u>	<u>Option</u>	<u>Part Number</u>	<u>Qty</u>
01	Windscreen			B111B0037F	1
02	Windscreen Finisher			B111U0088F	1
03	Spacer, windscreen alignment			A075U0588Z	7
04	Primary Door Seal Assembly, RH	2460mm long		D111U0160F	1
05	Primary Door Seal Assembly, LH	2460mm long		D111U0161F	1
06	Door Glass Assembly, RH	Includes stud carriers, item 27		C111B0038F	1
07	Door Glass Assembly, LH	Includes stud carriers, item 27		C111B0039F	1
08	Carrier, inner waist seal	Bonded into door assembly		B111U0149F	2
09	Seal, door waist inner			B111U6033F	2
10	Retainer door waist, outer seal	Bonded into door assembly		A111U0148F	2
11	Seal, door waist, outer, RH		A111U0200F R/B	C111U0200F	1
12	Seal, door waist, outer, LH		A111U0201F R/B	C111U0201F	1
13	Edge Clip	Outer seal attachment		A111W6568F	18
14	Rear Window/Housing Assy, glass	Non reflective	From VIN: X 5558	A111B0562J	1
14a	Rear Window, glass		Prior to VIN: X 5558	C111B0187F	1
14b	Rear Window, polycarbonate	Light weight (has a hole in the top)	MOTOR SPORT	A111B0368S	1
15	Seal, rear window, self adhesive	For non-reflective window assy.	From VIN: X 5558	A111B6205F	2.25M
16	Seal, rear window		Prior to VIN: X 5558 R/B B111B0236K	A111B6056V	3 M

ELISE

Function Code: 11.01, Page: 1

Updated 3rd October 2016

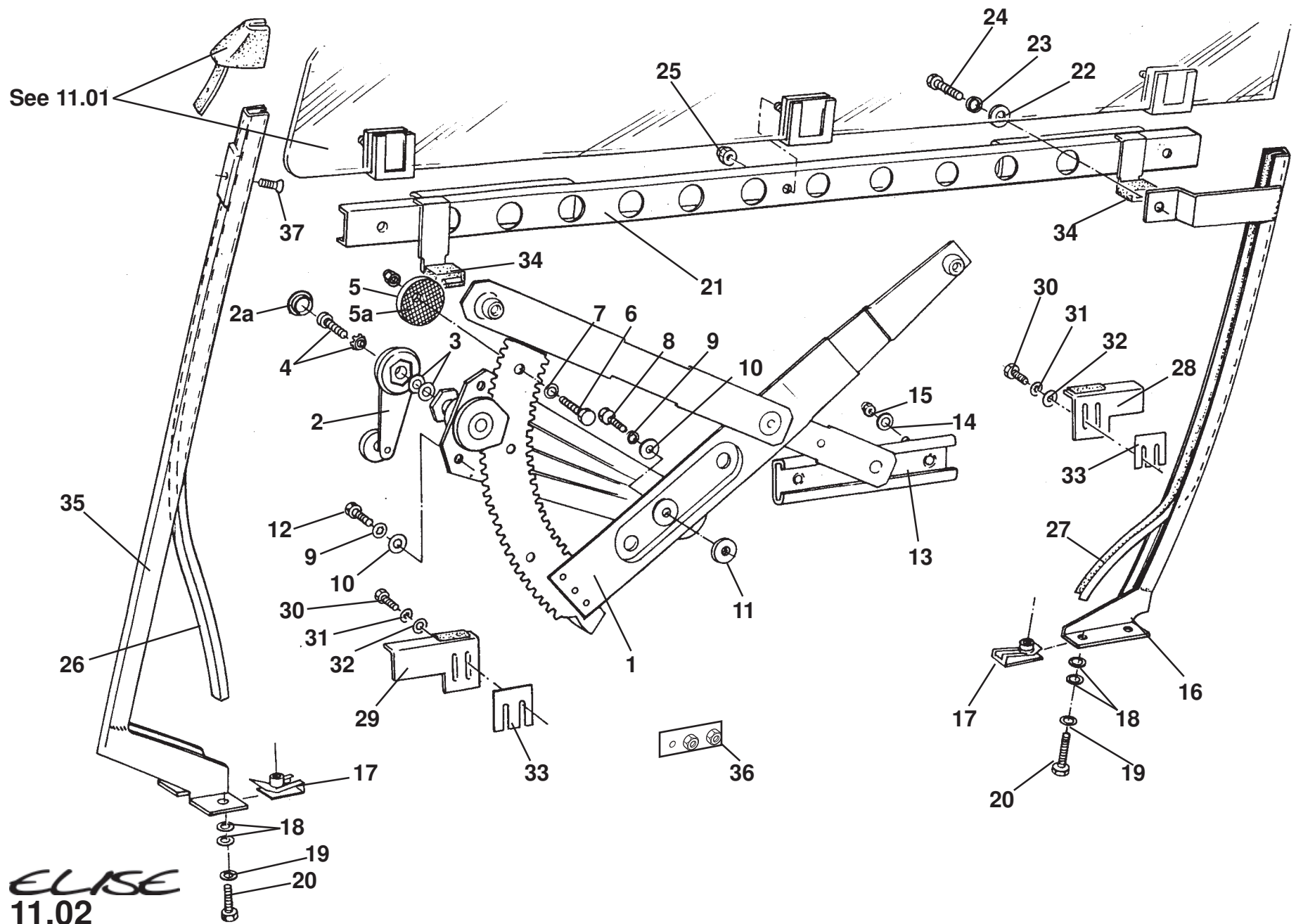
Function Code 11.01 Windscreen, Door Glass, Seals & Weather Strips

<u>Dep</u>	<u>Part Description</u>	<u>Remarks</u>	<u>Option</u>	<u>Part Number</u>	<u>Qty</u>
17	Door Cheater Seal			A111U0119F	2
18	Pop Rivet, cheater seal fix.			A079W6195F	2
19	Moulded Plastic Carrier, RH			A111B0210K	1
20	Moulded Plastic Carrier, LH			A111B0209K	1
21	Tongue Strip, RH			C111B0220F	1
22	Tongue Strip, LH			C111B0221F	1
23	Screw, No.6 x 3/4", csk. pozi., tongue strip fixing			A075W5026Z	12
24	Gripper Strip	Supplied in metre lengths		A111B6044V	2M
25	Seal Support, plastic, RH			A111B0360K	1
25a	Seal Support, foam, RH	Door seal to 'A' post		B111B0286F	1
26	Seal Support, plastic, LH			A111B0359K	1
26a	Seal Support, foam, LH	Door seal to 'A' post		B111B0285F	1
27	Screw, No.6 x 3/4", csk. pozi., seal support to 'A' post			A075W5026Z	6
28	Stud carrier	Bonded to glass		A111U0341S	6
29	Clip, rear glass retention, lower			B111B0188F	2
30	Pop Rivet, clip to capping rail			A100W6397F	2
31	Storage Bag, rear window			A111V0157J	1
32	Permabond Initiator INI 5	Not illustrated, refer to section BN Elise Service Notes		A000Z0043F	As req.
33	Permabond Flexon F246	Not illustrated, refer to section BN Elise Service Notes		B089B6125V	As req.

ELISE

Function Code: 11.01, Page: 2

Updated 3rd October 2016



Updated 24th January 2013

Service Parts List *ELISE*



Function Code 11.02 Door Window Lift Mechanism

<u>Dep</u>	<u>Part Description</u>	<u>Remarks</u>	<u>Option</u>	<u>Part Number</u>	<u>Qty</u>
01	Window Regulator, RH			C111U0082K	1
01a	Window Regulator, LH			C111U0083K	1
02	Window Winder Handle, plastic			A111U6008F	2
02	Windscreen Finisher			B111U0088F	1
02a	Window Winder Handle, alloy	Not illustrated	111S	A111U0486F	2
02b	Cap, window regulator handle			A111U6010F	2
03	Spacer, window regulator handle			A082W4109F	4
04	Screw, regulator handle fix, (incl. retaining clip)			A111U6009F	2
04a	Screw, flg. skt. hd., regulator handle fix,	Alloy winder handle fix. not illustrated	111S	A111W7183F	2
04b	Washer, shakeproof, M5	Alloy winder handle fix. not illustrated	111S	A075W4045Z	2
05	Eccentric Stop			B111U0084F	2
05a	Mesh Washer, eccentric stop			A111U0251F	1
06	Setscrew, eccentric stop fix.			A100W1055F	2
07	Washer, shakeproof			A075W4046Z	2
08	Setscrew, regulator fix			A075W1028Z	2
09	Washer, spring, M6			A075W4035Z	6
10	Washer, flat,,M6			B082W4018F	6

ELISE

Function Code: 11.02, Page: 1

Updated 1st December 2014

Function Code 11.02 Door Window Lift Mechanism

<u>Dep</u>	<u>Part Description</u>	<u>Remarks</u>	<u>Option</u>	<u>Part Number</u>	<u>Qty</u>
11	Washer, spacer			A075W4016Z	2
12	Setscrew M6, regulator fix			A075W1027Z	4
13	Guide Channel, window regulator			A111U6011F	1
14	Washer, flat M5			A075W4000Z	4
15	Nyloc Nut, M5			A100W3113F	4
16	Channel Assembly, door glass, rear, RH			C111U0040F	1
16a	Channel Assembly, door glass, rear, LH			C111U0039F	1
17	Spirenut, M5, channel assy., fix			A100W6372F	8
18	Washer, flat, 3/16 x 3/4 x 16 SWG			A075W4009Z	8
19	Washer, shakeproof, M5			A075W4045Z	4
20	Screw, M5 x 16, pozi., channel assy., fix.			A082W5107F	8
21	Lift Channel, door glass assy., RH			B111U0264F	1
21a	Lift Channel, door glass assy., LH			B111U0265F	1
22	Washer, flat, M8 x 16.6 x 1.4			A075W4020Z	8
23	Washer, shakeproof, M8	Deleted - R/B Loctite243, A918E6027V		A075W4048Z	2
24	Setscrew, M8 x 45, channel assy., fix.			A075W1043Z	2
25	Locknut, guide channel fix.			A907E6285F	6
26	Silent Channel, front			B111U0054K	2
27	Silent Channel, rear			B111U0053K	2
28	Bracket, upstop, LHF & RHR			A111U0259F	2

ELISE

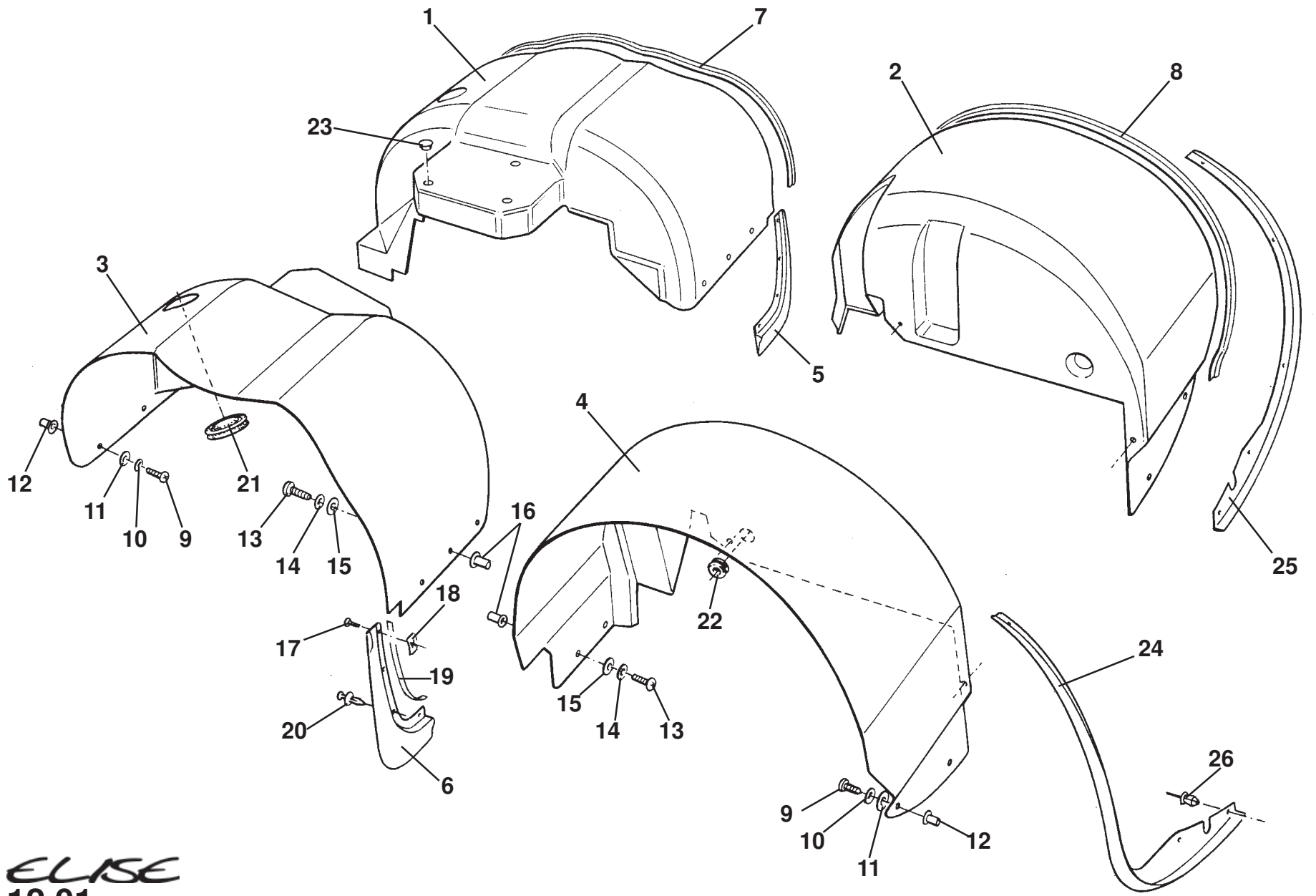
Function Code: 11.02, Page: 2

Updated 1st December 2014

Function Code 11.02 Door Window Lift Mechanism

<u>Dep</u>	<u>Part Description</u>	<u>Remarks</u>	<u>Option</u>	<u>Part Number</u>	<u>Qty</u>
29	Bracket, upstop, LHR & RHF			A111U0260F	2
30	Screw, M6 x 20, hex. hd.,upstop bracket fix.			A111W1155F	8
31	Washer, spring, M6			A075W4035Z	8
32	Washer, flat M6 x 15 x 1.5			A075W4015Z	8
33	Shim, 1.5mm, spacer upstop bracket			A111U0337F	As req.
34	Buffer, guide channel upstop			A111U0268F	4
35	Channel Assembly, door glass, front, RH			C111U0038F	1
35a	Channel Assembly, door glass, front, LH			C111U0037F	1
36	Nut Plate, glass stop bracket to door beam			B111U0292F	4
37	Screw M5 x 12 CSK pozi, rail to door			A100W5196F	2

ELISE**Function Code: 11.02, Page: 3***Updated 1st December 2014*



ELISE
12.01

Service Parts List *ELISE*



Function Code 12.01 Wheelarch Liners

<u>Dep</u>	<u>Part Description</u>	<u>Remarks</u>	<u>Option</u>	<u>Part Number</u>	<u>Qty</u>
01	Wheelarch Liner, front, RH			B111B0162K	1
01	Housing, gear lever pivot			A111F6008H	1
02	Wheelarch Liner, rear, RH			B111B0124F	1
03	Wheelarch Liner, front, LH			B111B0163K	1
04	Wheelarch Liner, rear, LH		B111B0125K R/B	C111B0125F	1
05	Mudflap, front, RH			A111B0312K	1
06	Mudflap, front, LH			A111B0313K	1
07	Weather Seal, front liners			B111U0194K	2x1.4M
08	Weather Seal, rear liners			B111U0195K	2x1.2M
09	Screw, M5 x 25, pozi, pan hd. S/S, liner fix.	Front of front liner, rear of rear liner to clamshells	A075W5084F R/B	A082W5185F	8
10	Washer, shakeproof, M5			A075W4045Z	4
11	Washer, flat, 3/16 x 0.5", S/S black		A075W4011Z R/B	A082W4129F	8
12	Rawlnut, M5, clamshells, front & rear			A075W6074F	8
13	Screw, M6 x 25, pozi, pan hd. liner fix.	Rear of front liner, front of rear liner to sills, rear liner to chassis & shear plate		A075W5089Z	14
13a	Plastic Fastener	Rear of front liner to sill	Late cars	A100W6391F	6
14	Washer, shakeproof, M6			A075W4046Z	14
15	Washer, flat, M6			A075W4015Z	14

ELISE

Function Code: 12.01, Page: 1

Updated 2nd February 2015

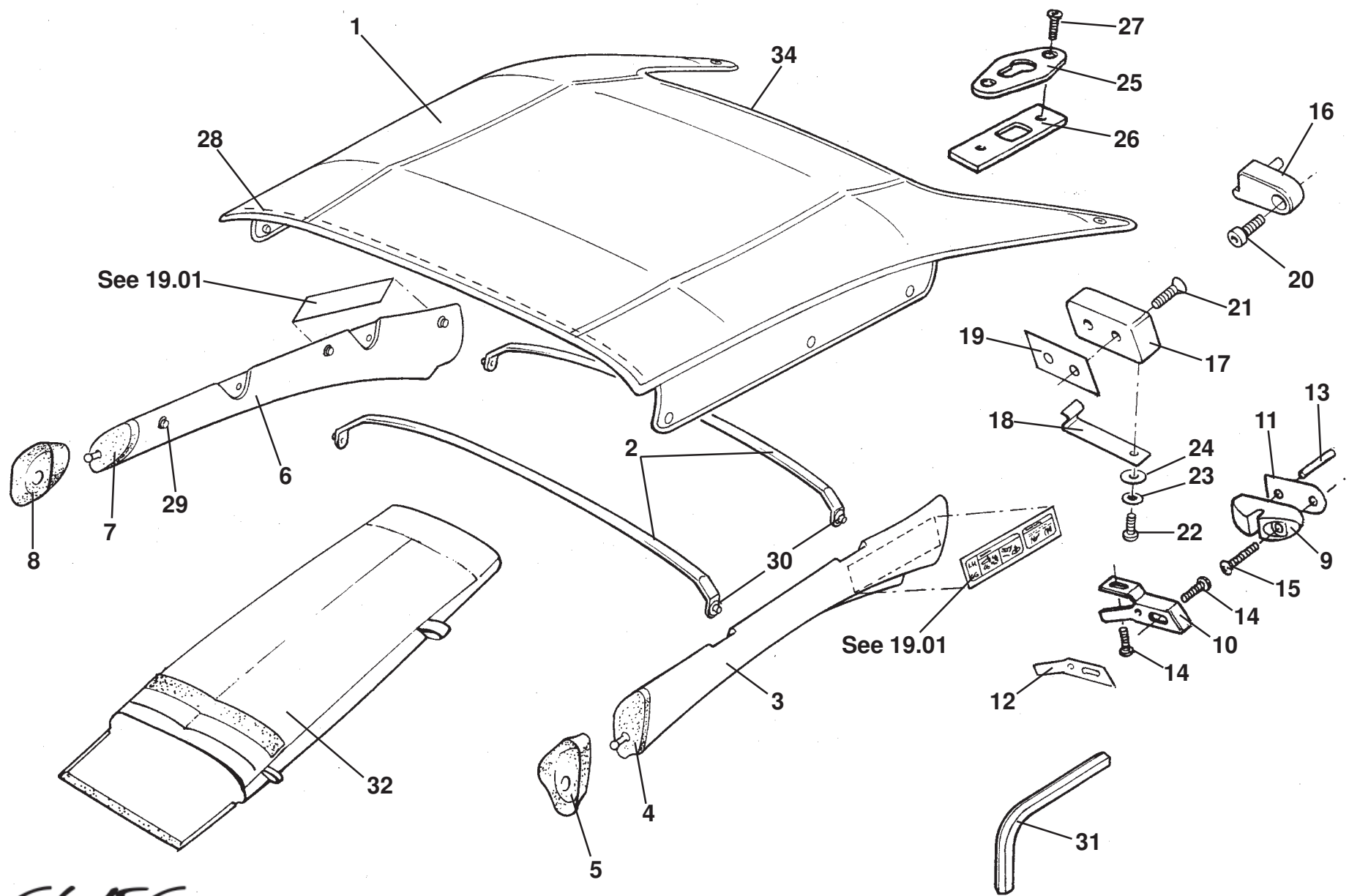
Function Code 12.01 Wheelarch Liners

<u>Dep</u>	<u>Part Description</u>	<u>Remarks</u>	<u>Option</u>	<u>Part Number</u>	<u>Qty</u>
16	Rawlnut, M6 x 15, sills, chassis & shear plate			A075W6140F	14
17	Screw, No.6 x 3/4", pozi, flange hd., mudflap to clamshell			A075W5028F	2
18	Spirenut, No.6, mudflap top fix.			A075W6013Z	2
19	Tape, 12.7mm, double sided, mudflap to sill fix.			C075U6071V	0.7M
20	Fastener, mudflap to sills			A111W6534F	4
20a	Fastener, mudflap to sills, top fixing			A100W6481F	2
21	Blanking Grommet, headlamp bulb access			X026B0371Z	2
22	Grommet G2, 25mm, speed sensor harness			A082L6181F	1
23	Blanking Grommet, 12.5mm, liner services plinth			A100B6163F	3
24	Rear Wheelarch Spat, LH		111S	A111B0541K	1
25	Rear Wheelarch Spat, RH		111S	A111B0540K	1
26	Plastic Fastener, spat fix.		111S	A079W6195F	10

ELISE

Function Code: 12.01, Page: 2

Updated 2nd February 2015



ELISE
12.02

Updated 2nd February 2015

Service Parts List *ELISE*



Function Code 12.02 Soft Top Roof, Cant Rails, Roof Bows

<u>Dep</u>	<u>Part Description</u>	<u>Remarks</u>	<u>Option</u>	<u>Part Number</u>	<u>Qty</u>
01	Soft Top Roof	A level prior to VIN: W 3332	Beige/Black, from VIN: W 3332	B111B0303J	1
01	Soft Top Roof	A level prior to VIN: W 3332	Burgundy/Black, from VIN: W 3332	B111B0304J	1
01	Soft Top Roof	A level prior to VIN: W 3332	Green/Black, from VIN: W 3332	B111B0305J	1
01	Soft Top Roof	A level prior to VIN: W 3332	Black/Sailcloth, from VIN: W 3332	B111B0240J	1
01	Soft Top Roof	A level prior to VIN: W 3332	Black/Black Stayfast, from VIN: W 3332	B111B0241J	1
01	Soft Top Roof	A level prior to VIN: W 3332	Blue/ Black Stayfast, from VIN:W 3332	B111B0242J	1
02	Bow, roof support			A111B0213K	2
03	Cant Rail Assembly, LH		Prior to VIN: W 3332	A111B0211K	1
03a	Cant Rail Assembly, LH		From VIN: W 3332	B111B0353J	1
04	Foam Gasket, cant rail front, LH		Pior to VIN: W 3332	B111B0293F	1
05	Seal, cant rail, LH		From VIN: W 3332	D111U0303F	1
06	Cant Rail Assembly, RH		Prior to VIN: W 3332	A111B0212K	1
06a	Cant Rail Assembly, RH		From VIN:W 3332	B111B0352J	1
07	Foam Gasket, cant rail front, RH		Prior to VIN: W 3332	B111B0294F	1
08	Seal, cant rail front, RH		From VIN: W 3332	D111U0302F	1

ELISE

Function Code: 12.02, Page: 1

Updated 2nd February 2015

Function Code 12.02 Soft Top Roof, Cant Rails, Roof Bows

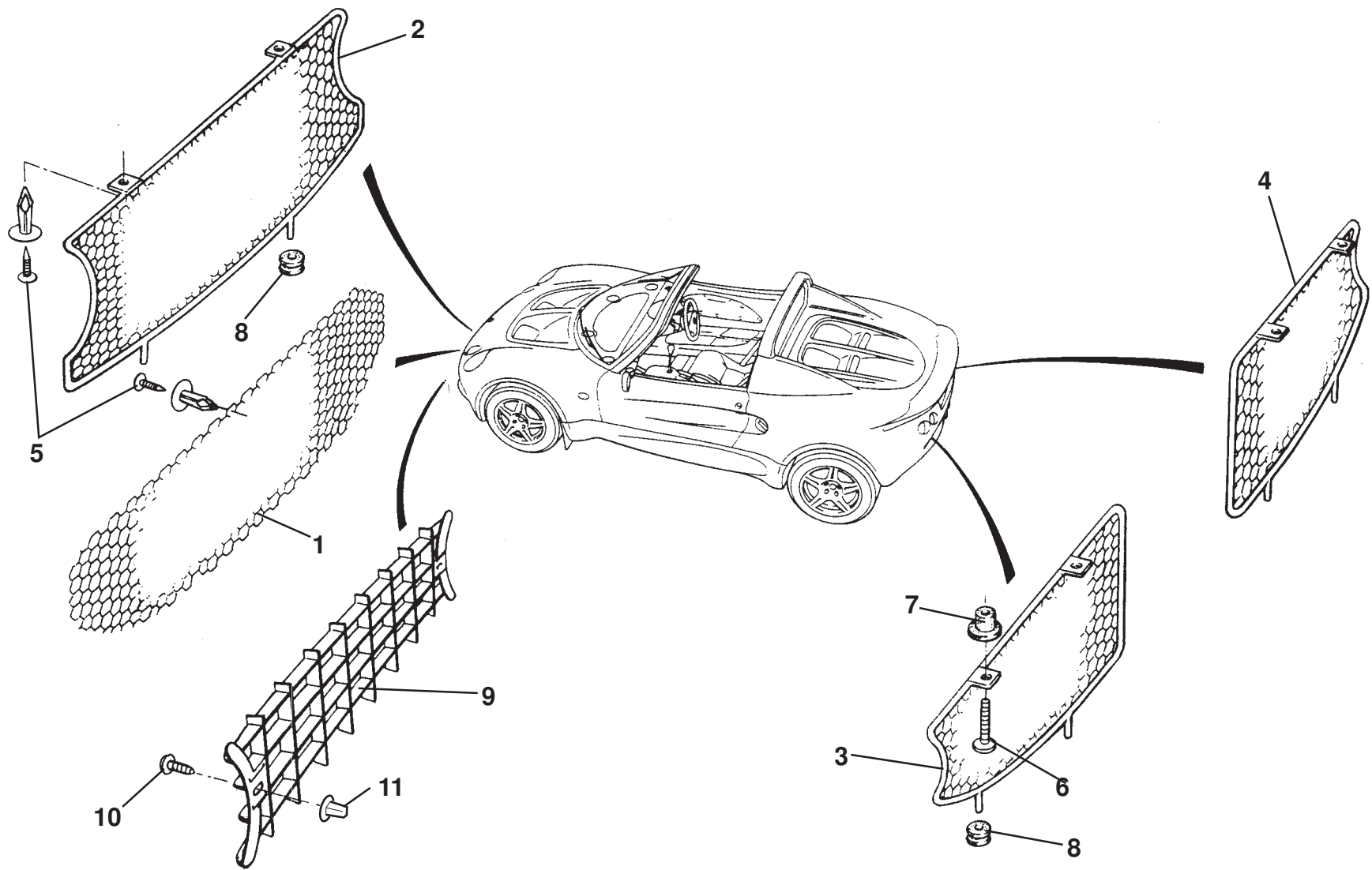
<u>Dep</u>	<u>Part Description</u>	<u>Remarks</u>	<u>Option</u>	<u>Part Number</u>	<u>Qty</u>
09	Striker, cant rail.		Prior to VIN: W 3332	A111B0208F	2
10	Catch, cant rail, LH		Prior to VIN: W 3332	A111B0215F	1
10a	Catch, cant rail, RH		Prior to VIN: W 3332	A111B0216F	1
11	Shim, cant rail striker to body		Prior to VIN: W 3332	A111B0218F	4
12	Shim, catch to cant rail		Prior to VIN: W 3332	A111B0217F	4
13	Pin, striker to 'B' post		Prior to VIN: W 3332	A111B6034F	2
14	Screw, No.10 x 0.5", pan hd., pozi., catch to cant rail		Prior to VIN: W 3332	A075W5040Z	4
15	Screw, M5 x 30, button hd., striker to 'B' post		Prior to VIN: W 3332	A111W7146F	2
16	Striker, cant rail, LH		From VIN: W 3332	B111U0405F	1
16a	Striker, cant rail, RH		From VIN: W 3332	B111U0406F	1
17	Mounting Plate, cant rail catch, LH		From VIN: W 3332	C111U0385F	1
17a	Mounting Plate, cant rail catch, RH		From VIN: W 3332	C111U0386F	1
18	Spring, cant rail catch		From VIN: W 3332	A111U0387F	2
19	Shim, 1mm, cant rail catch adjustment		From VIN: W 3332	A111U0400F	As req.
19a	Shim, 3mm, cant rail catch adjustment		From VIN: W 3332	A111U0401F	As req.
20	Screw, M5 x 20, cap hd., striker to 'B' post		From VIN: W 3332	A111W7172F	2
21	Screw, M5 x 20, csk,pozi, catch assy. to cant rail		From VIN: W 3332	A082W5134F	4
22	Screw, M4 X 10, pan hd., pozi., catch spring to plate		From VIN: W 3332	B075W5079F	2
23	Washer, shakeproof, M4, catch spring to plate		From VIN: W 3332	A075W4086F	2
24	Washer, flat, M4 x 9 x 0.8, catch spring to plate		From VIN: W 3332	A100W4120F	2
25	Escutcheon, hood tail fixing		A111B0200F R/B	B111B0200F	2

ELISE

Function Code 12.02 Soft Top Roof, Cant Rails, Roof Bows

<u>Dep</u>	<u>Part Description</u>	<u>Remarks</u>	<u>Option</u>	<u>Part Number</u>	<u>Qty</u>
26	Tapping Plate, escutcheon to buttress	Bonded to clamshell		B111B0201F	2
27	Screw, M4 x 16, csk. hd., pozi., escutcheon to buttress			A111W5219F	4
28	Tongue Strip, soft top to header rail	Part of soft top assy.		A111B0222K	1
29	Press Stud Fastener, soft top to cant rail			A111B6076F	6
30	Washer, flat, M5 x 16.5 x 1.6	Bonded to roof bows		A082W4115F	4
31	Allen Key, soft top tensioning	Stowed in RH rear quarter panel, see 15.11		B111B6042F	1
32	Soft Top Bag			A111V0158J	1
33	Cape, canopy weather cover	Not illustrated	Accessory only	A111V0211S	1
34	Cable Assembly			A111B0339J	1

Note: soft tops & cant rails from
VIN: W 3332 are compatible with
the Hardtop. see 12.04



ELISE
12.03

Updated 24th January 2013

Service Parts List *ELISE*



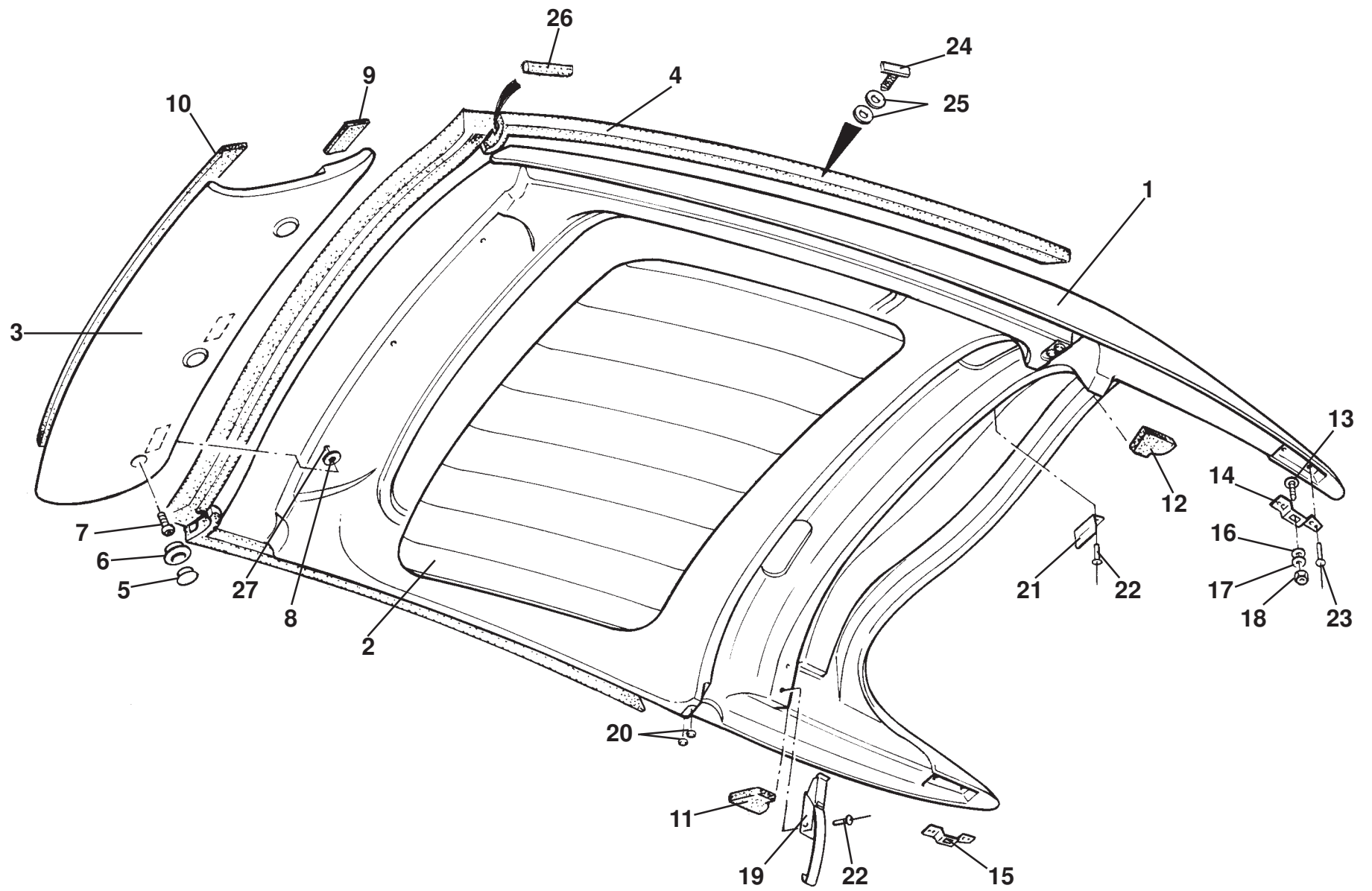
Function Code 12.03 Grilles and Louvres

<u>Dep</u>	<u>Part Description</u>	<u>Remarks</u>	<u>Option</u>	<u>Part Number</u>	<u>Qty</u>
01	Grille, front intake, without driving lamps	7 off fixings, item 05		B111B0041F	1
02	Grille, front intake with driving lamps	2 off fixings, item 05		B111B0059F	1
02a	Grille, gold, front intake with driving lamps		JPS 111S	A111B0661F	1
03	Grille, rear clamshell recess, LH	Access to reverse lamp (RHD)		B111B0183F	1
03a	Grille, gold, rear clamshell recess, LH		JPS 111S	A111B0669F	1
04	Grille, rear clamshell recess, RH	Access to rear fog lamp (RHD)		B111B0184F	1
04a	Grille, gold, rear clamshell recess, RH		JPS 111S	A111B0668F	1
05	Plastic Fastener, front grille fix.	7 off, grille item 01, 2 off, grille item 02		A111W6534F	7
06	Screw, M5 x 16, pan hd. pozi., rear grille fix. to clamshell			A082W5117F	4
07	Rubber Rawlnut, 5mm, rear grille fix. to clamshell			A075W6074F	4
08	Grommet, rear grille fix, grille spigots, 4 off	2 off, front grille with driving lamps		A082B6158F	6
09	Grille, front intake	Moulded plastic	111S, Sport 160	A111B0485K	1
10	Screw, No.8 x 0.75", self tapping, pozi., grille fix.		111S, Sport 160	A100W5166F	2
11	Plastic Insert, grille fix.	In driving lamp brackets	111S, Sport 160	A111W3164F	2

ELISE

Function Code: 12.03, Page: 1

Updated 24th January 2013



ELISE
12.04

Service Parts List *ELISE*



Function Code 12.04 Roof Panel, Seals & Fixings

<u>Dep</u>	<u>Part Description</u>	<u>Remarks</u>	<u>Option</u>	<u>Part Number</u>	<u>Qty</u>
01	Hardtop Kit, finished in primer	Incl., cant rails, soft top, door seals	Prior to VIN; W 3332	A111B0510S	1
01a	Hardtop Kit, finished in gloss black	Incl., cant rails, soft top, door seals	Prior to VIN; W 3332	A111B0511S	1
01b	Hardtop, finished in primer	Excl., cant rails, soft top, door seals	From VIN: W 3332	A111B0512S	1
01c	Hardtop, finished in Gloss Black	Excl., cant rails, soft top, door seals	From VIN: W 3332	A111B0513S	1
01d	Hardtop Fitting Kit			A111B0484J	1
02	Hardtop Headlining, standard trim		Cloth	A111V0298S	1
02a	Hardtop Headlining, optional trim		Leather,black	A111V0299S	1
02b	Hardtop Headlining, optional trim		Leather, golden tan	A111V0300S	1
02c	Hardtop Headlining, optional trim		Leather, racing green	A111V0301S	1
02d	Hardtop Headlining, optional trim		Leather, viking blue	A111V0302S	1
02e	Hardtop Headlining, optional trim		Leather, begonia	A111V0303S	1
02f	Hardtop Headlining, optional trim		Leather, orkney red wing	A111V0304S	1
03	Clamp Assembly, hardtop to header rail			A111B0382J	1
04	Hardtop Seal Assembly			E111U0307F	1
05	Blanking Plug, clamp screw access			A111V6031F	3
06	Finisher, clamp screw access hole			A111U0203F	3

ELISE

Function Code: 12.04, Page: 1

Updated 1st December 2014

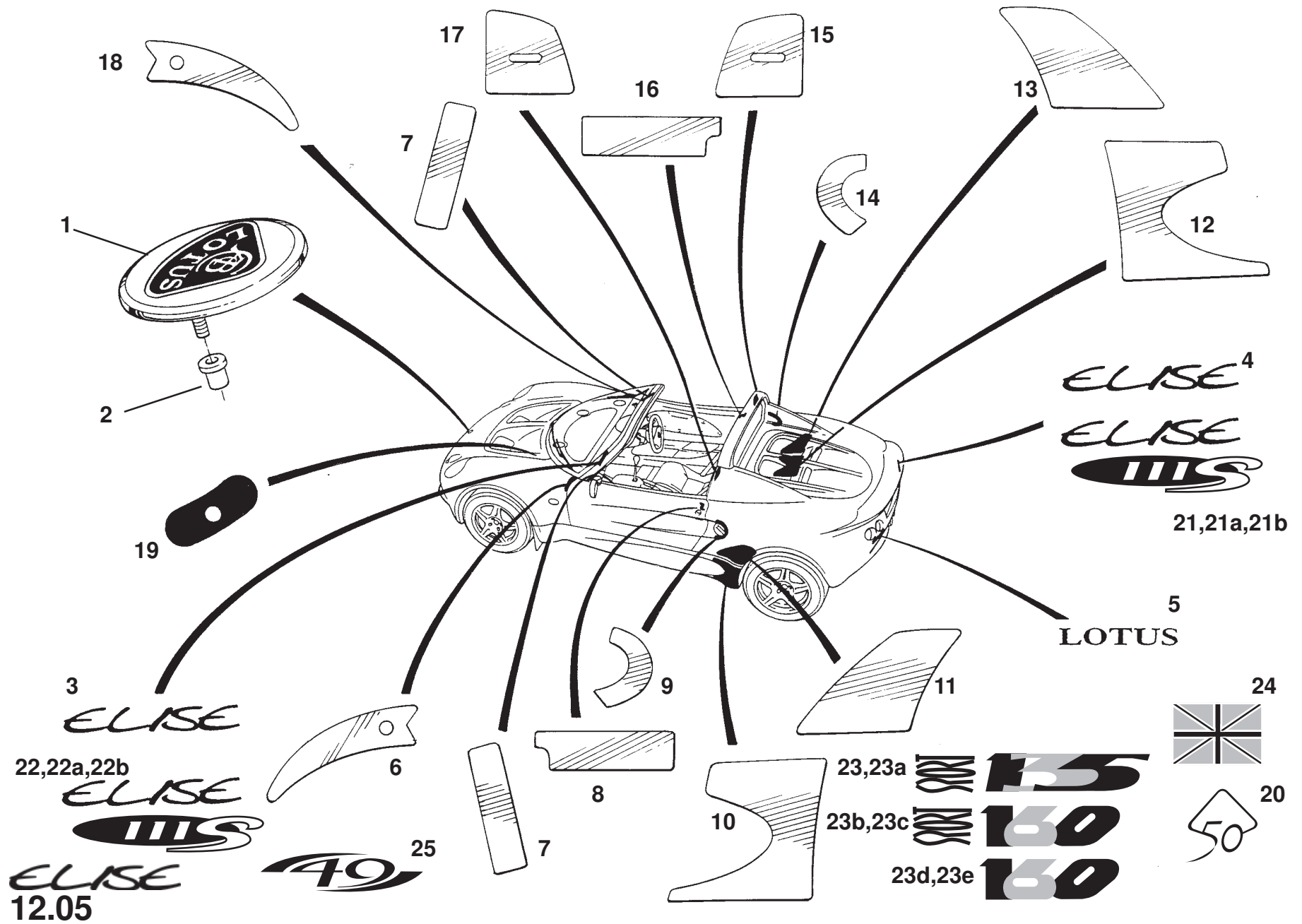
Function Code 12.04 Roof Panel, Seals & Fixings

<u>Dep</u>	<u>Part Description</u>	<u>Remarks</u>	<u>Option</u>	<u>Part Number</u>	<u>Qty</u>
07	Screw, M8 x 25, button hd., skt., clamp fix.	Black finish		A111W7115F	3
08	Washer, M8 x 15 x 2, rubber, clamp to hardtop			A089W4093f	3
09	Black neophrene	Fix to hardtop clamp		A082B6177V	As req.
10	Foam seal, self adhesive, 19 mm x 5 mm	Fix to hardtop clamp		A082U6068V	As req.
11	Buffer Pad, foam, LH	Self adhesive	A111U0376F R/B	C111B0247F	1
12	Buffer Pad, foam, RH	Self adhesive	A111U0376F R/B	C111B0248F	1
13	Locating Pin, hardtop to buttress escutcheons			B111U0236F	2
14	Plate, pin retension, LH			B111U0237F	1
15	Plate, pin retension, RH			B111U0238F	1
16	Washer, flat, M8 x 16.6 x 1.4 mm			A075W4020Z	2
17	Washer, crinkle, M8			A082W4114F	2
18	Locknut, M8, locating pin			A075W3026Z	2
19	Latch Assembly			A111B6054F	2
20	Bumper Foot, self adhesive	Hardtop to cant rail striker		A111U6054F	4
21	Retaining Tang, rear window location			B111B0291F	2
22	Pop Rivet			A100W6397F	8
23	Pop Rivet			A075W6071Z	4
24	Fastener, firtree, seal assy. to hardtop			A111W6622F	12
25	Washer, flat, seal assy. to hardtop			A075W4013Z	24
26	Seal Insert, round section foam			A082U6171V	2
27	Captive Fixing, M8, clamp to hardtop	Retains screw item 7		B082W3117F	3

ELISE

Function Code: 12.04, Page: 2

Updated 1st December 2014



Updated 24th January 2013

Service Parts List *ELISE*



Function Code 12.05 Decals, Badges & Protective Film

<u>Dep</u>	<u>Part Description</u>	<u>Remarks</u>	<u>Option</u>	<u>Part Number</u>	<u>Qty</u>
01	Nose Badge, Lotus logo			A089U1816F	1
01a	Nose Badge, Lotus logo, black/gold		JPS	C079U4607F	1
02	Rawlnut, 5mm, rubber, nose badge fix.			A075W6074F	2
03	Decal, elise, fascia			A111U0227F	1
03a	Decal, elise, gold, fascia,		JPS, Type '49'	A111U0498F	1
03b	Decal, elise, fascia, smoke metallic		Sport 160	A111U0509F	1
04	Decal, elise, charcoal, rear clamshell			A111U0226F	1
04a	Decal, elise, silver, rear clamshell			A111U0225F	1
04b	Decal, elise, gold, rear clamshell		50th Anniversary Cars	A111U0488S	1
04c	Decal, elise, gold, rear clamshell		JPS, Type '49'	A111U0497F	1
04d	Decal, elise, smoke metallic, rear clamshell		Sport 160	A111U0507F	1
05	Decal, Lotus, charcoal, rear clamshell			A111U0224F	1
05a	Decal, Lotus, silver, rear clamshell			A111U0223F	1
05b	Decal, Lotus, gold, rear clamshell		50th Anniversary Cars	A111U0489S	1
05c	Decal, Lotus, gold, rear clamshell		JPS, Type '49'	A111U0492F	1
05d	Decal, Lotus, smoke metallic, rear clamshell		Sport 160	A111U0508F	1
06	Film, blackout, front clamshell, to door shut face, LH			A111B0341K	1
07	Film, front of cheater, LH/RH			A111B0342K	2

ELISE

Function Code: 12.05, Page: 1

Updated 24th January 2013

Function Code 12.05 Decals, Badges & Protective Film

<u>Dep</u>	<u>Part Description</u>	<u>Remarks</u>	<u>Option</u>	<u>Part Number</u>	<u>Qty</u>
08	Film, rear of door shut face, LH			B111U0221K	1
09	Film, side intake protection, LH			A111B0283K	1
10	Film, sill protection, LH			A111B0117K	1
11	Film, rear wheelarch protection, LH			A111B0115K	1
12	Film, sill protection, RH			A111B0118K	1
13	Film, rear wheelarch protection, RH			A111B0116K	1
14	Film, side intake protection, RH			A111B0284K	1
15	Film, cant rail striker, RH			A111B0344K	1
16	Film, rear of door shut face, RH			B111U0222K	2
17	Film, cant rail striker, LH			A111B0343K	1
18	Film, blackout, front clamshell, to door shut face, RH			A111B0340K	1
19	Film, blackout, front clamshell top fix.	Around fixing holes		A111B0697S	2
20	Decal, 50th Anniversary, rear clamshell		50th Anniversary Cars	A111U0490S	1
21	Decal, 111S, silver/blue, rear clamshell		111S	A111B0626F	1
21a	Decal, 111S, graphite/red, rear clamshell		111S	A111B0627F	1
21b	Decal, 111S, gold, rear clamshell		JPS 111S	A111U0493F	1
22	Decal, 111S, silver/blue, fascia		111S	A111B0628F	1
22a	Decal, 111S, graphite/red, fascia		111S	A111B0629F	1
22b	Decal, 111S, gold, fascia		JPS 111S	A111U0494F	1
23	Decal, Sport 135, behind doors		'98 MY, Sport 135	A111B0595F	2
23a	Decal, Sport 135, behind doors		'99 MY, Sport 135	A111B0630F	2

ELISE

Function Code: 12.05, Page: 2

Updated 24th January 2013

Function Code 12.05 Decals, Badges & Protective Film

<u>Dep</u>	<u>Part Description</u>	<u>Remarks</u>	<u>Option</u>	<u>Part Number</u>	<u>Qty</u>
23b	Decal, Sport 160, smoke metallic, behind doors		Sport 160	A111B0701F	2
23c	Decal, Sport 160, silver, behind doors		Sport 160	A111B0722F	2
23d	Decal, 160, smoke metallic, behind doors		160	A111U0580K	2
23e	Decal, 160, silver, behind doors		160	A111U0581K	2
24	Decal, Union Flag, centre rear clamshell		JPS 111S	A111U0495F	1
25	Decal, '49'	Sides of front clamshell	Type '49'	A111U0502F	2
26	Decal, gold stripe, 25mm	Not illustrated, around red/white join line	Type '49'	A111U0499V	8m
27	Decal, gold stripe. 3mm	Not illustrated, above item 29 on car sides	Type '49'	A111U0500V	4m
28	Film, paint protection, bulk	Not illustrated, cut to fit		A100B2477V	As req.
29	Film Set, rear clamshell	Not illustrated, comprises items: 9/11/13/14/15/17	Accessory only	A111B0475J	1
30	Film Set, front clamshell & buttress protection	Not illustrated, comprises items: 34/35/36/37/38/39	Accessory only	A111B0574S	1
31	Film, nose side protection, RH	Not illustrated, intake to wheelarch	Accessory only	A111B0516S	1
32	Film, centre, upper nose protection	Not illustrated, above air intake, between headlamps	Accessory only	A111B0514S	1
33	Film, nose side protection, LH	Not illustrated, intake to wheelarch	Accessory only	A111B0515S	1
34	Film, cheek edge protection	Not illustrated, outboard of intake, below 34 & 35	Accessory only	A111B0518S	2
35	Film, buttress protection, soft top fix.	Not illustrated, around keyhole plate	Accessory only	A111B0517S	2

ELISE

Function Code: 12.05, Page: 3

Updated 24th January 2013

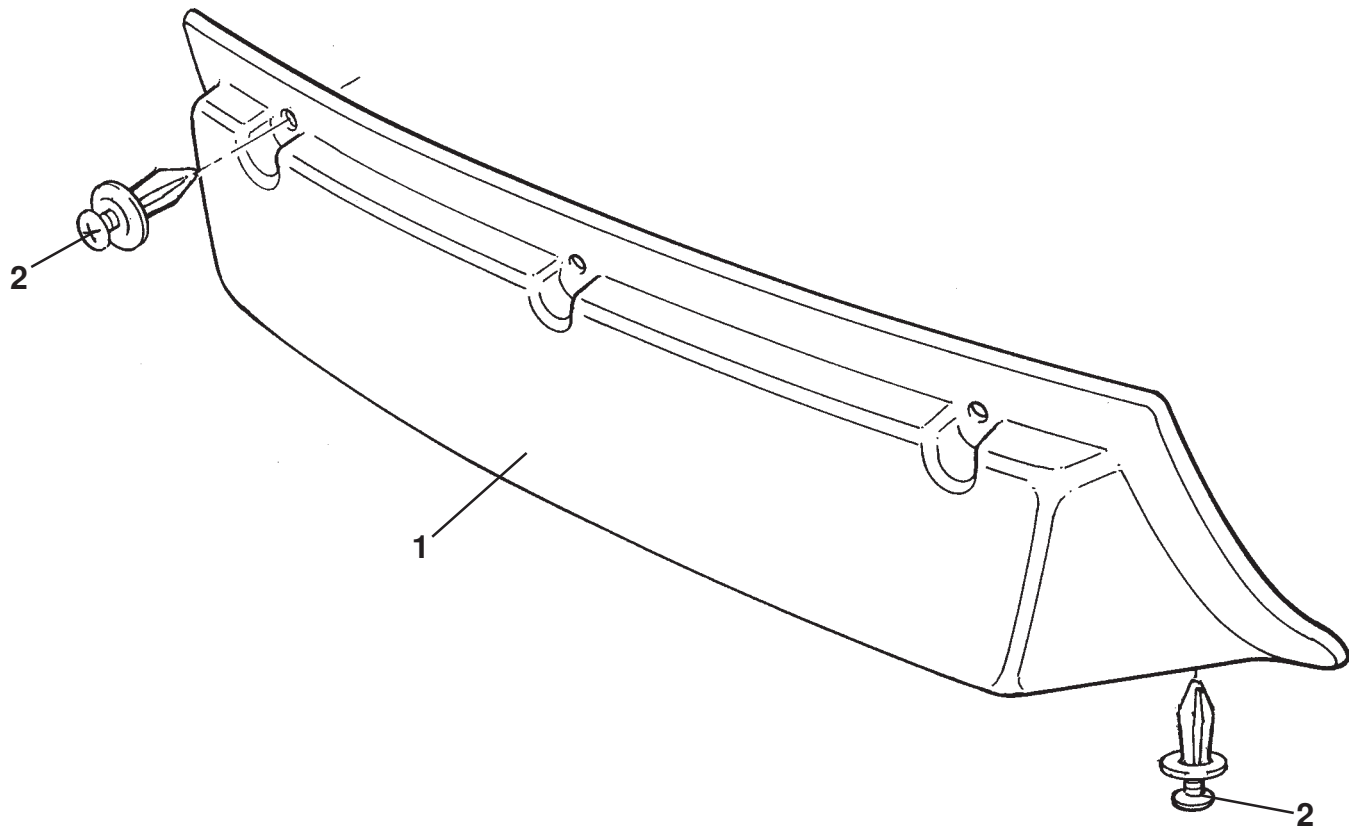
Function Code 12.05 Decals, Badges & Protective Film

<u>Dep</u>	<u>Part Description</u>	<u>Remarks</u>	<u>Option</u>	<u>Part Number</u>	<u>Qty</u>
36	Film, fuel filler recess edge protection	Not illustrated, lower edge of recess	Accessory only	A111B0519S	1
37	Decal Set, Sport 160, smoke metallic	Not illustrated (Obsolete)	Sport 160	A111U0511F	1
38	Decal Set, Sport 160, silver	Not illustrated (Obsolete)	Sport 160	A111U0510F	1

ELISE

Function Code: 12.05, Page: 4

Updated 24th January 2013

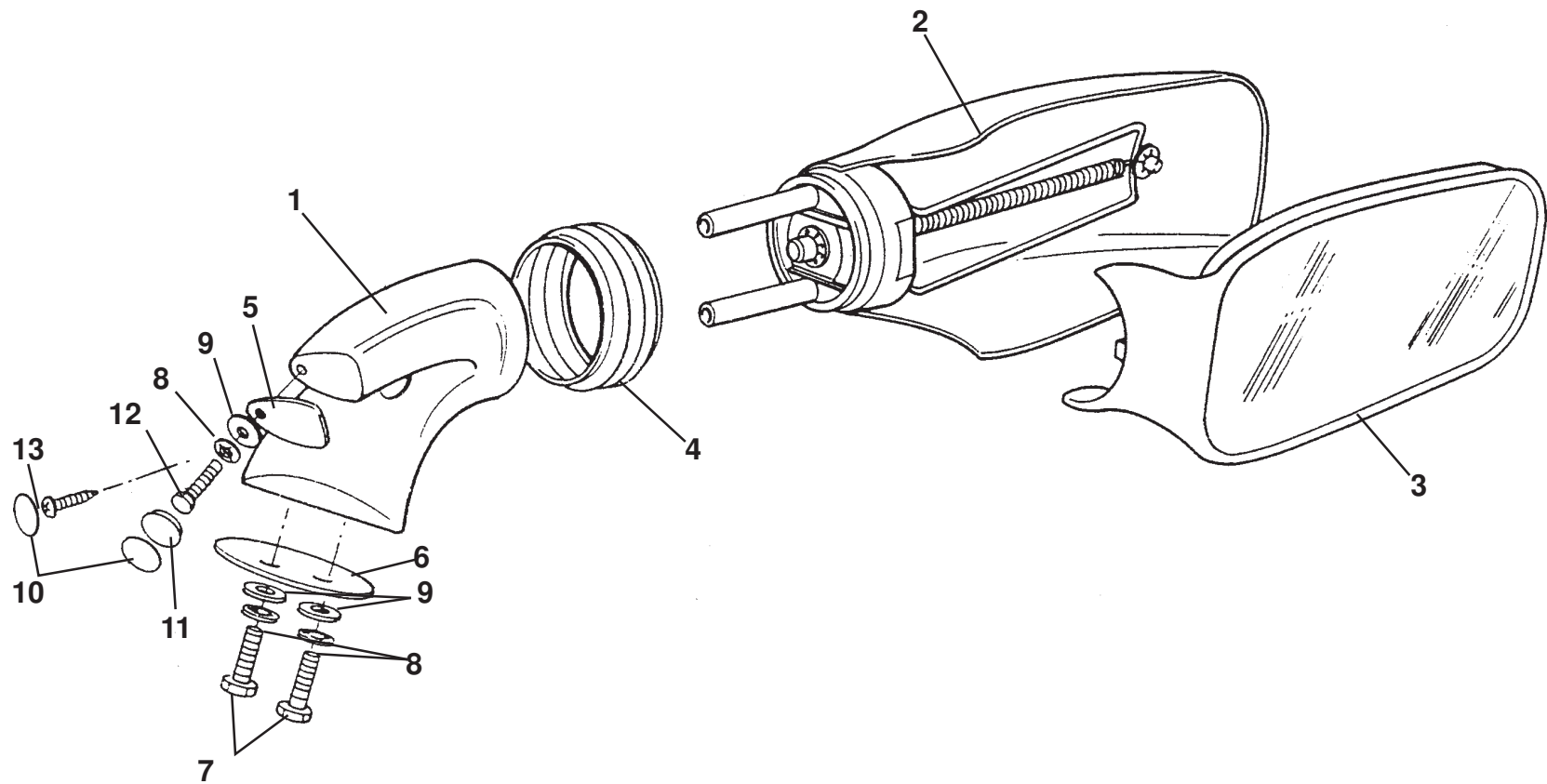


ELISE
12.07

Function Code 12.07 Licence Plate Mountings

<u>Dep</u>	<u>Part Description</u>	<u>Remarks</u>	<u>Option</u>	<u>Part Number</u>	<u>Qty</u>
01	Front Number Plate Plinth			A111B0049K	1
02	Plastic Fastener			A111W6534F	5

ELISE



ELISE
12.09

Updated 4th October 2012

Service Parts List *ELISE*



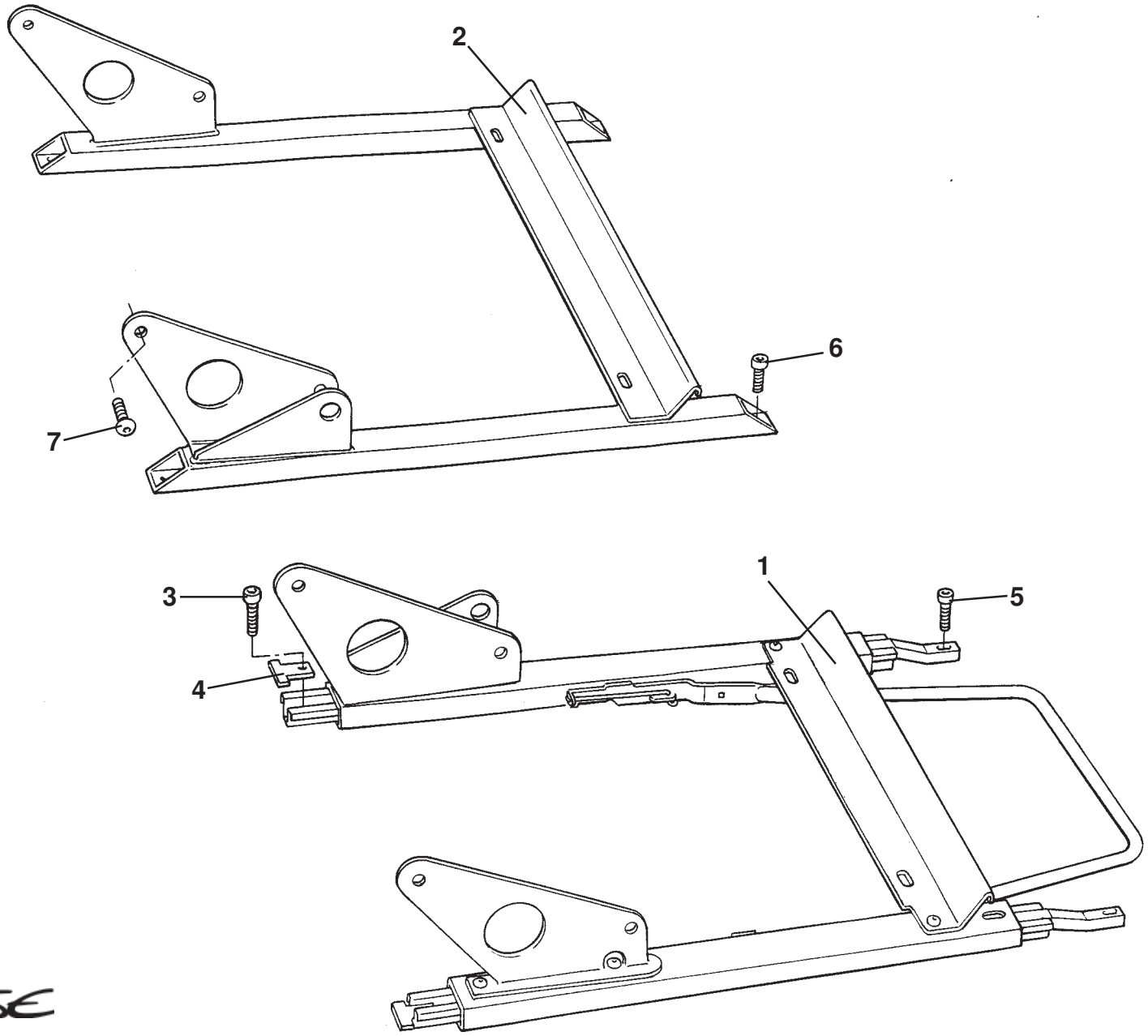
Function Code 12.09 Exterior Driving Mirrors

<u>Dep</u>	<u>Part Description</u>	<u>Remarks</u>	<u>Option</u>	<u>Part Number</u>	<u>Qty</u>
01	Mirror Plinth, mounting, RH	Not painted		A111U0076F	1
01a	Mirror Plinth, mounting, LH	Not painted		A111U0075F	1
02	Mirror Housing,	Not painted	common RH & LH	B111U0117K	2
02a	Mirror Housing,	Primed	common RH & LH	A111U0424K	2
03	Glass Assembly, convex			A111U6046F	2
03a	Glass Assembly, flat		Australia only	A111U6039F	2
04	Bellows, mirror to plinth			A111U6032F	2
05	Gasket, mirror plinth upper			B111U0104F	2
06	Gasket, mirror plinth lower			C111U0103F	2
07	Setscrew, M5 x 20, hex. hd.			A075W1025F	4
08	Washer, internal shakeproof, M5			A075W4045Z	4
09	Washer, flat, M5			A075W4011Z	4
10	Blanking Tape			A111V0206K	4
11	Blanking Grommet			A100B6163F	2
12	Screw, M5 x 20, cap hd.			A111W7126F	2
13	Screw, No 10 x 1", pan hd. pozi., plinth to mirror			A075W5043Z	2

ELISE

Function Code: 12.09, Page: 1

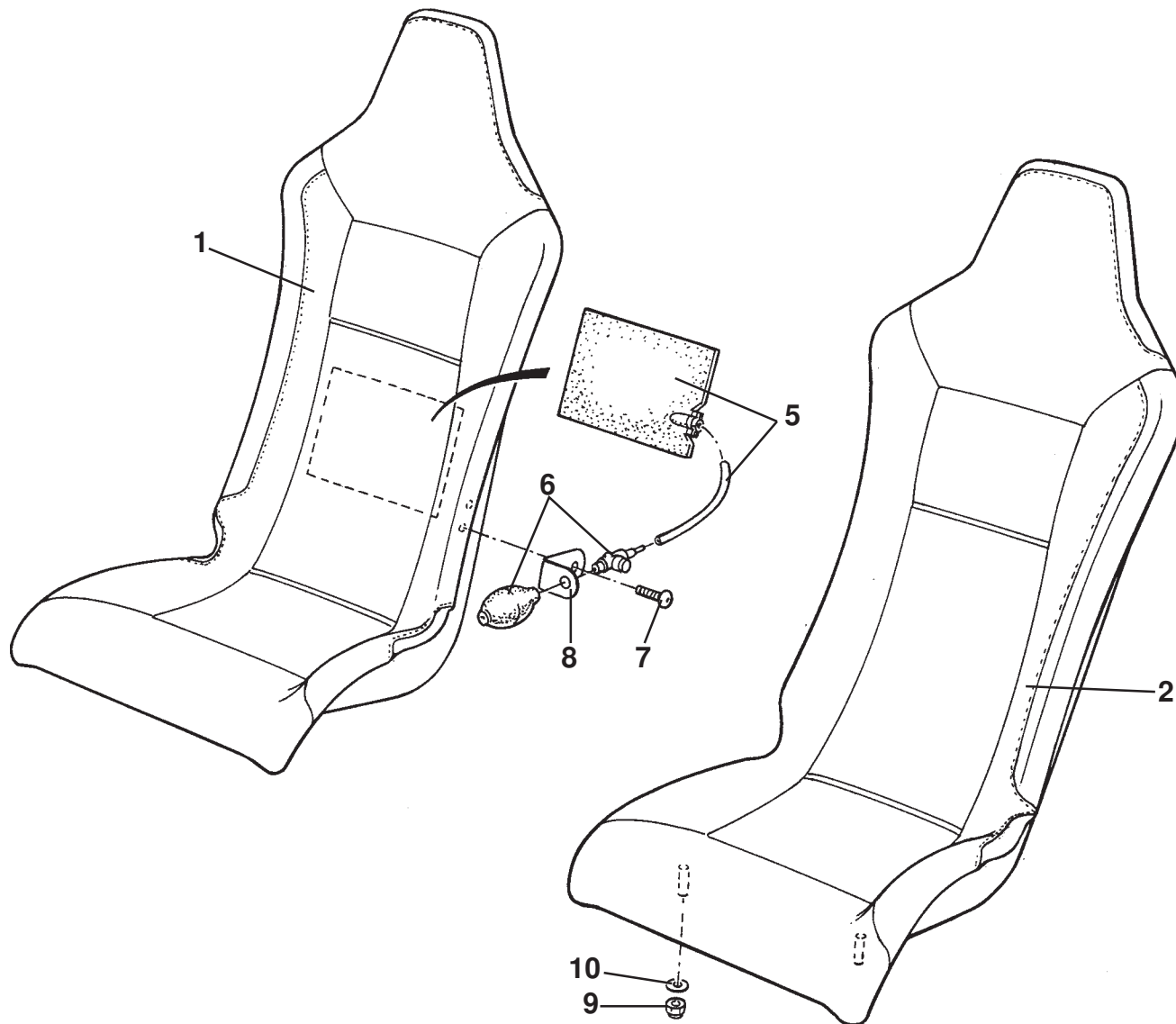
Updated 4th October 2012



ELISE
13.01

Function Code 13.01 Seat Runners

<u>Dep</u>	<u>Part Description</u>	<u>Remarks</u>	<u>Option</u>	<u>Part Number</u>	<u>Qty</u>
01	Seat Runners, driver, RHD			A111V0012J	1
01a	Seat Runners, driver, LHD			A111V0011J	1
02	Seat Mounting Frame, passenger, RHD			A111V0013F	1
02a	Seat Mounting Frame, passenger, LHD			A111V0014F	1
03	Screw, M8 x 20, cap hd.	Runner rear fix.		A111W7130F	2
04	Stop, seat runner			B111V0017F	2
05	Screw, M8 x 25, cap hd.	Runner front fix.		A111W7115F	2
06	Screw, M8 x 16, cap hd.	Mounting frame fix.		A111W7125F	4
07	Screw, M8 x 12, button hd.	Side brackets to seat fix.		A111W7131F	4



ELISE
13.02

Service Parts List *ELISE*



Function Code 13.02 Seat Assemblies, front

<u>Dep</u>	<u>Part Description</u>	<u>Remarks</u>	<u>Option</u>	<u>Part Number</u>	<u>Qty</u>
01	Seat Assembly, driver, RHD		Black leather	A111V0197J	1
01a	Seat Assembly, driver , LHD		Black leather	A111V0198J	1
01b	Seat Assembly, driver, RHD		Raffia leather	A111V0502J	1
01c	Seat Assembly, driver, LHD		Raffia leather	A111V0506J	1
01d	Seat Assembly, driver, RHD		Charcoal leather	A111V0514J	1
01e	Seat Assembly, driver, LHD		Charcoal leather	A111V0515J	1
01f	Seat Assembly, driver, RHD		Red leather	A111V0094J	1
01g	Seat Assembly, driver, LHD		Red leather	A111V0124J	1
01h	Seat Assembly, driver, RHD		Golden tan leather	A111V0171J	1
01i	Seat Assembly, driver, LHD		Golden tan leather	A111V0172J	1
01j	Seat Assembly, driver, RHD		Viking blue leather	A111V0181J	1
01k	Seat Assembly, driver, LHD		Viking blue leather	A111V0182J	1
01L	Seat Assembly, driver, RHD		Red wing leather	A111V0200J	1
01m	Seat Assembly, driver, LHD		Red wing leather	A111V0201J	1
01n	Seat Assembly, driver, RHD		Blue leather	A111V0093J	1
01o	Seat Assembly, driver, LHD		Blue leather	A111V0123J	1
01p	Seat Assembly, driver, RHD		Magnolia leather	A111V0246J	1
01q	Seat Assembly, driver, LHD		Magnolia leather	A111V0245J	1

ELISE

Function Code: 13.02, Page: 1

Updated 15th April 2011

Function Code 13.02 Seat Assemblies, front

<u>Dep</u>	<u>Part Description</u>	<u>Remarks</u>	<u>Option</u>	<u>Part Number</u>	<u>Qty</u>
01r	Seat Assembly, driver, RHD		Begonia leather	A111V0186J	1
01s	Seat Assembly, driver, LHD		Begonia leather	A111V0187J	1
01t	Seat Assembly, driver, RHD		Racing green leather	A111V0176J	1
01u	Seat Assembly, driver, LHD		Racing green leather	A111V0177J	1
01v	Seat Assembly, driver, RHD		Vinyl & hooding material	A111V0215J	1
01w	Seat Assembly, driver, LHD		Vinyl & hooding material	A111V0216J	1
01x	Seat Assembly, driver, RHD		Fawn leather	A111V0091J	1
01y	Seat Assembly, driver, LHD		Fawn leather	A111V0121J	1
01z	Seat Assembly, driver, RHD		Charcoal cloth	A111V0090J	1
01zz	Seat Assembly, driver, LHD		Charcoal cloth	A111V0120J	1
02	Seat Assembly, passenger, RHD		Black leather	A111V0196J	1
02a	Seat Assembly, passenger, LHD		Black leather	A111V0481J	1
02b	Seat Assembly, passenger, RHD		Raffia leather	A111V0504J	1
02c	Seat Assembly, passenger, LHD		Raffia leather	A111V0508J	1
02d	Seat Assembly, passenger, RHD		Charcoal leather	A111V0518J	1
02e	Seat Assembly, passenger, LHD		Charcoal leather	A111V0499J	1
02f	Seat Assembly, passenger, RHD		Red leather	A111V0007J	1
02g	Seat Assembly, passenger, LHD		Red leather	A111V0501J	1
02h	Seat Assembly, passenger, RHD		Golden tan leather	A111V0170J	1
02i	Seat Assembly, passenger, LHD		Golden tan leather	A111V0482J	1
02j	Seat Assembly, passenger, RHD		Viking blue leather	A111V0180J	1

ELISE

Function Code: 13.02, Page: 2

Updated 15th April 2011

Function Code 13.02 Seat Assemblies, front

<u>Dep</u>	<u>Part Description</u>	<u>Remarks</u>	<u>Option</u>	<u>Part Number</u>	<u>Qty</u>
02k	Seat Assembly, passenger, LHD		Viking blue leather	A111V0484J	1
02L	Seat Assembly, passenger, RHD		Red wing leather	A111V0199J	1
02m	Seat Assembly, passenger, LHD		Red wing leather	A111V0480J	1
02n	Seat Assembly, passenger, RHD		Blue leather	A111V0006J	1
02o	Seat Assembly, passenger, LHD		Blue leather	A111V0500J	1
02p	Seat Assembly, passenger, RHD		Magnolia leather	A111V0247J	1
02q	Seat Assembly, passenger, LHD		Magnolia leather	A111V0486J	1
02r	Seat Assembly, passenger, RHD		Begonia leather	A111V0185J	1
02s	Seat assembly, passenger, LHD		Begonia leather	A111V0485J	1
02t	Seat Assembly, passenger, RHD		Racing green leather	A111V0175J	1
02u	Seat Assembly, passenger, LHD		Racing green leather	A111V0483J	1
02v	Seat Assembly, passenger, RHD		Vinyl & hooding material	Not issued	1
02w	Seat Assembly, passenger, LHD		Vinyl & hooding material	Not issued	1
02x	Seat Assembly, passenger, RHD		Charcoal cloth	A111V0003J	1
02y	Seat Assembly, passenger, LHD		Charcoal cloth	A111V0497J	1
02z	Seat Assembly, passenger, RHD		Fawn leather	A111V0004J	1
02z	Seat Assembly, passenger, LHD		Fawn leather	A111V0498J	1
03	Seat Assembly, comfort, driver, RHD	Not illus., 111S	Black leather	B111V0458J	1
03a	Seat Assembly, comfort, driver, LHD	Not illus., 111S	Black leather	B111V0459J	1
03b	Seat Assembly, comfort, driver, RHD	Not illus., 111S	Raffia leather	B111V0503J	1
03c	Seat Assembly, comfort, driver, LHD	Not illus., 111S	Raffia leather	B111V0507J	1

ELISE

Function Code: 13.02, Page: 3

Updated 15th April 2011

Function Code 13.02 Seat Assemblies, front

<u>Dep</u>	<u>Part Description</u>	<u>Remarks</u>	<u>Option</u>	<u>Part Number</u>	<u>Qty</u>
03d	Seat Assembly, comfort, driver, RHD	Not illus., 111S	Charcoal leather	B111V0512J	1
03e	Seat Assembly, comfort, driver, LHD	Not illus., 111S	Charcoal leather	B111V0513J	1
03f	Seat Assembly, comfort, driver, RHD	Not illus., 111S	Red leather	Not issued	1
03g	Seat Assembly, comfort, driver, LHD	Not illus., 111S	Red leather	Not issued	1
03h	Seat Assembly, comfort, driver, RHD	Not illus., 111S	Golden tan	Not issued	1
03i	Seat Assembly, comfort, driver, LHD	Not illus., 111S	Golden tan	Not issued	1
03j	Seat Assembly, comfort, driver, RHD	Not illus., 111S	Blue leather	Not issued	1
03k	Seat Assembly, comfort, driver, LHD	Not illus., 111S	Blue leather	Not issued	1
03L	Seat Assembly, comfort driver, RHD	Not illus., 111S	Magnolia leather	B111V0473J	1
03m	Seat Assembly, comfort, driver, LHD	Not illus., 111S	Magnolia leather	Not issued	1
03n	Seat Assembly, comfort, driver, RHD	Not illus., 111S	Green leather	Not issued	1
03o	Seat Assembly, comfort driver, LHD	Not illus., 111S	Green leather	B111V0465J	1
03p	Seat Assembly, comfort. driver, RHD	Not illus., Type '49'	Black leather/red alcantara	B111V0548K	1
03q	Seat Assembly, comfort driver, LHD	Not illus., Type '49'	Black leather/red alcantara	B111V0550K	1
03r	Seat Assembly, comfort. driver, RHD	Not illus., JPS 111S	Black leather/gold alcantara	B111V0537J	1
03s	Seat Assembly, comfort. driver, RHD	Not illus., JPS 111S	Black leather/gold alcantara	Not issued	1
03t	Seat Assembly, comfort, common	Not illus., Sport 160	Black leather/red alcantara	A111V0582J	2
03u	Seat Assembly, comfort, common	Not illus., Sport 160	Black leather/blue alcantara	A111V0583J	2
03v	Seat Assembly, comfort driver, RHD	Not illus., 111S	Charcoal cloth	B111V0452J	1
03w	Seat Assembly, comfort driver, LHD	Not illus., 111S	Charcoal cloth	B111V0453J	1
03x	Seat Assembly, comfort, passenger	Not illus., 111S	Charcoal cloth	B111V0451J	1

ELISE

Function Code 13.02 Seat Assemblies, front

<u>Dep</u>	<u>Part Description</u>	<u>Remarks</u>	<u>Option</u>	<u>Part Number</u>	<u>Qty</u>
04	Seat Assembly, comfort, passenger, RHD	Not illus., 111S	Black leather	B111V0457J	1
04a	Seat Assembly, comfort, passenger, LHD	Not illus., 111S	Black leather	B111V0491J	1
04b	Seat Assembly, comfort, passenger, RHD	Not illus., 111S	Raffia leather	B111V0505J	1
04c	Seat Assembly, comfort, passenger, LHD	Not illus., 111S	Raffia leather	B111V0509J	1
04d	Seat Assembly, comfort, passenger, RHD	Not illus., 111S	Charcoal leather	B111V0516J	1
04e	Seat Assembly, comfort, passenger, LHD	Not illus., 111S	Charcoal leather	B111V0517J	1
04f	Seat Assembly, comfort, passenger, RHD	Not illus., 111S	Red leather	B111V0454J	1
04g	Seat Assembly, comfort, passenger, LHD	Not illus., 111S	Red leather	A111V0501J	1
04h	Seat Assembly, comfort, passenger, RHD	Not illus., 111S	Golden tan leather	Not issued	1
04i	Seat Assembly, comfort, passenger, LHD	Not illus., 111S	Golden tan leather	A111V0492J	1
04j	Seat Assembly, comfort, passenger, RHD	Not illus., 111S	Blue leather	Not issued	1
04k	Seat Assembly, comfort, passenger, LHD	Not illus., 111S	Blue leather	A111V0494J	1
04L	Seat Assembly, comfort, passenger, RHD	Not illus., 111S	Magnolia leather	B111V0472J	1
04m	Seat Assembly, comfort, passenger, LHD	Not illus., 111S	Magnolia leather	A111V0496J	1
04n	Seat Assembly, comfort, passenger, LHD	Not illus., 111S	Begonia leather	Not issued	1
04o	Seat Assembly, comfort, passenger, LHD	Not illus., 111S	Begonia leather	A111V0495J	1
04p	Seat Assembly, comfort, passenger, LHD	Not illus., 111S	Green leather	A111V0493J	1
04q	Seat Assembly, comfort, passenger, common	Not illus., 111S	Green leather	A111V0463J	1
04r	Seat Assembly, comfort, passenger, LHD	Not illus., Type'49'	Black leather/red alcantara	B111V0551K	1
04s	Seat Assembly, comfort, passenger, RHD	Not illus., Type '49'	Black leather/red alcantara	B111V0549K	1
04t	Seat Assembly, passenger, RHD	Not illus., JPS 111S	Black leather/gold alcantara	Not issued	1

ELISE

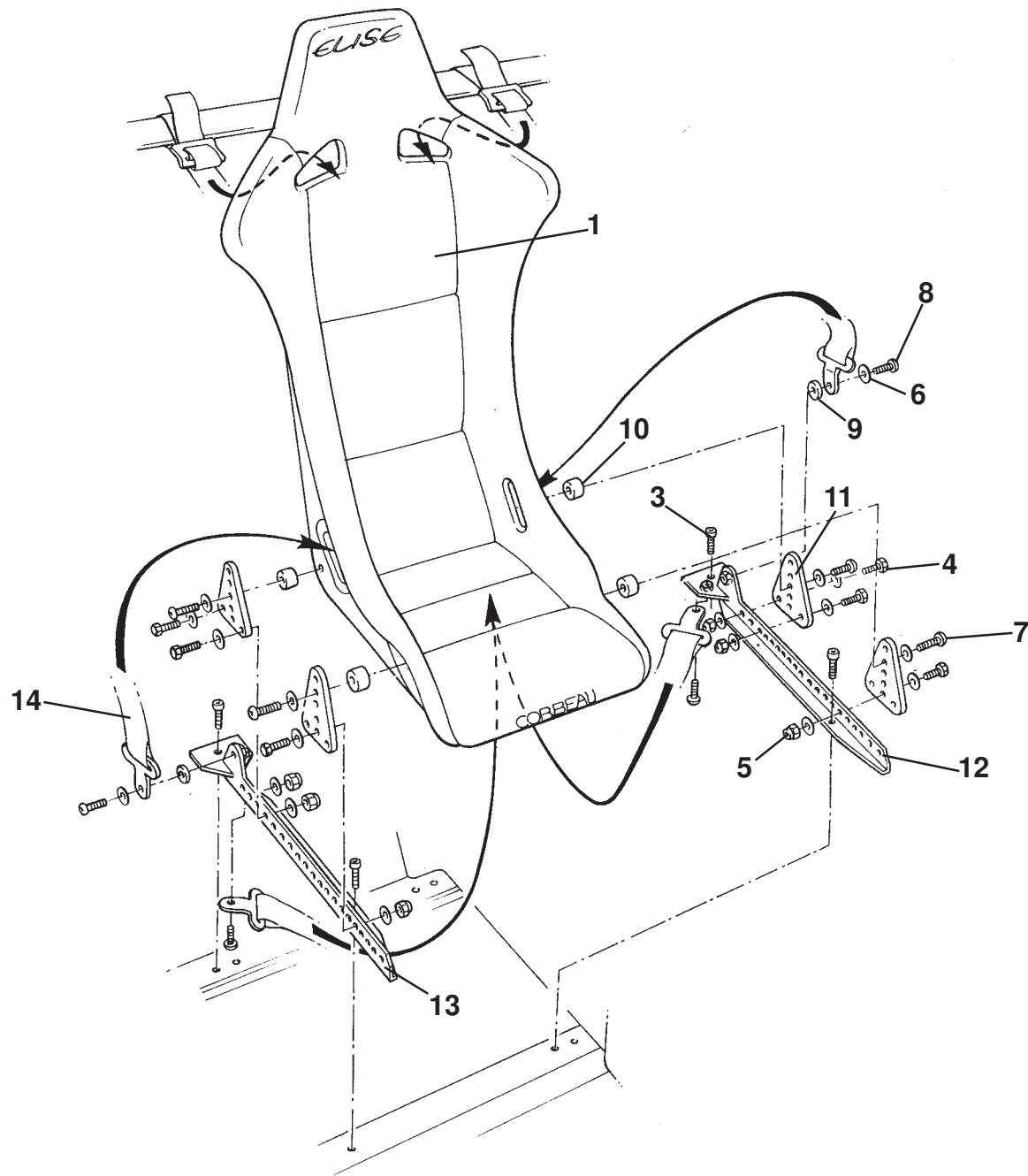
Function Code 13.02 Seat Assemblies, front

<u>Dep</u>	<u>Part Description</u>	<u>Remarks</u>	<u>Option</u>	<u>Part Number</u>	<u>Qty</u>
04u	Seat Assembly, passenger, LHD	Not illus., JPS 111S	Black leather/gold alcantara	A111V0538J	1
04v	Seat Assembly, comfort, passenger, common	Not illus., 111S	Fawn leather	A111V0498J	1
04w	Seat Assembly, comfort, passenger, common	Not illus., 111S	Charcoal cloth	B111V0497J	1
05	Inflatable Lumbar Support, driver	Includes tube, driver only		A111V0117F	1
06	Pump & Valve, lumbar support			A089V6142F	1
07	Screw, M8 x 12, button hd.			A111W7131F	1
08	Bracket, pump & valve assy.			B111V0127F	1
09	Nyloc Nut, M8			A075W3010Z	4
10	Washer flat, M8 x 17 x 1.6mm			A075W4020Z	4

ELISE

Function Code: 13.02, Page: 6

Updated 15th April 2011

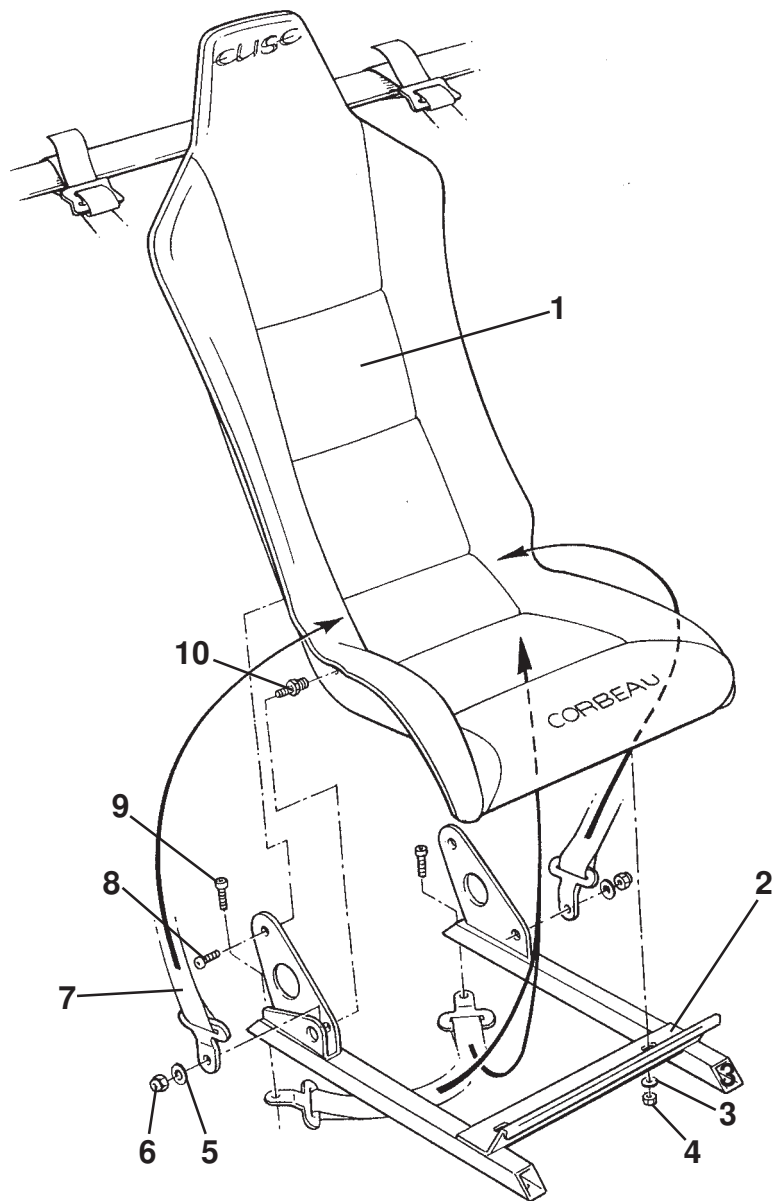


ELISE
13.02a

Function Code 13.02a Competition Drivers Seat, Fixings. Harness

<u>Dep</u>	<u>Part Description</u>	<u>Remarks</u>	<u>Option</u>	<u>Part Number</u>	<u>Qty</u>
01	Drivers Seat, Corbeau		MOTOR SPORT	A111V6034S	1
02	Fitting kit	Comprising: items 03-13		A111V0297J	1
03	Screw, brackets to floor fixing			A111W7125F	4
04	Bolt, sideplate to runner fixings			A075W1038Z	8
05	Nyloc nut, sideplate to runner			A907E6284F	6
06	Washer, flat			A075W4020Z	20
07	Setscrew, button head, sideplate to seat & runner			A082W7050F	4
08	Setscrew, button head, seat belt to runner			A082W7063F	2
09	Washer, harness to seat side			A079W4019F	2
10	Spacer, sideplate mtg			A111V0294F	4
11	Sideplate, seat to runner			A111V0293F	4
12	Seat Mounting Bracket, LH			B111V0265F	1
13	Seat Mounting Bracket, RH			B111V0266F	1
14	Six Point Harness		MOTOR SPORT	A111U0378S	1
15	Fitting Instructions	Not illustrated, supplied with seat/harness fitting kits		LSL365	1

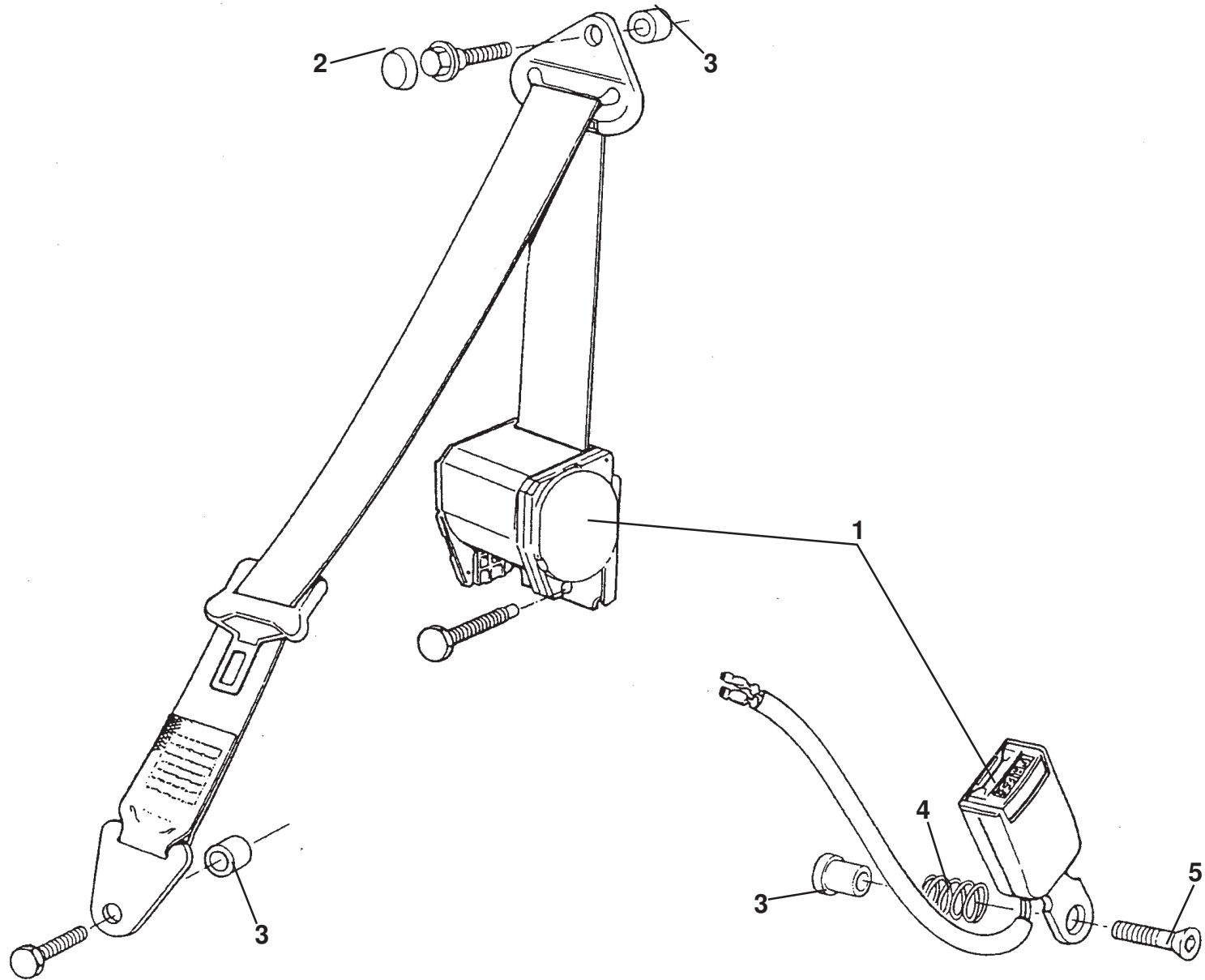
ELISE



ELISE
13.02b

Function Code 13.02b Competition Style Seat, Fixings.Harness

<u>Dep</u>	<u>Part Description</u>	<u>Remarks</u>	<u>Option</u>	<u>Part Number</u>	<u>Qty</u>
01	Competition Style Seat			A111V6035S	1
02	Seat Mounting, passenger, fixed, RHD	Standard part		A111V0014F	1
02a	Seat Mounting, passenger, fixed, LHD			A111V0013F	1
03	Washer, flat, M8 x 17 x 1.6 mm, seat to mounting fix	Standard part		A075W4020Z	2
04	Nyloc Nut, M8, seat to mounting fix			A075W3010Z	2
05	Washer, harness to seat mounting fix.			A075W4020Z	2
06	Nyloc Nut, harness to seat mounting fix.			A907E6284F	2
07	Six Point Harness		MOTOR SPORT	A111U0378S	1
08	Screw, M8 x 12 mm, seat to fixed mounting	Standard part		A111W7131F	2
09	Screw, M8 x 16 mm, seat mounting to floor fixing	Standard part		A111W7125F	4
10	Reducer Stud, six point harness to seat	Fits standard seat also if required		A111U0395S	2
11	Fitting instructions	Not illustrated, supplied with seat/harness fitting kits		LSL365	1

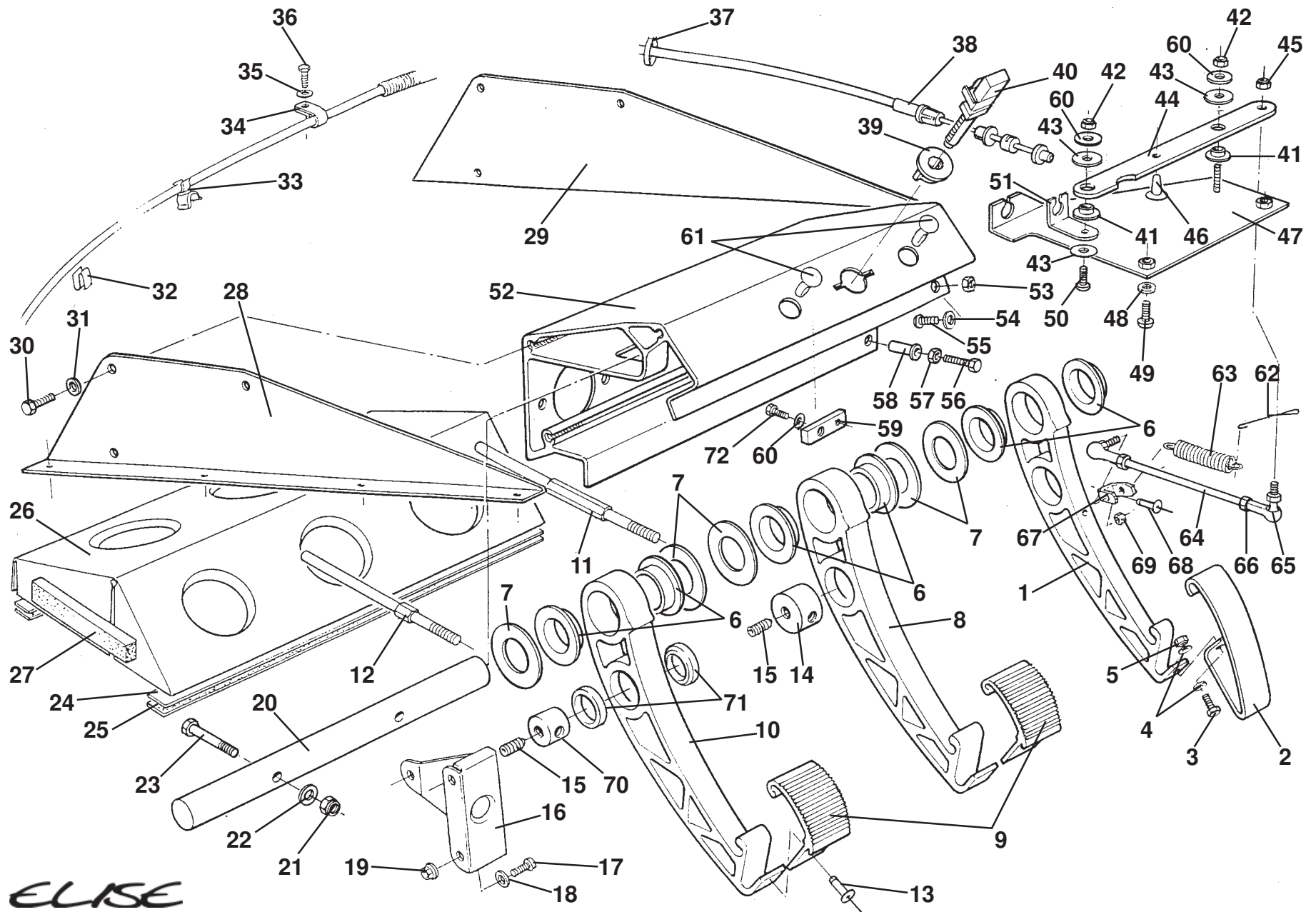


ELISE
13.27

Function Code 13.27 Seat Belts, front

<u>Dep</u>	<u>Part Description</u>	<u>Remarks</u>	<u>Option</u>	<u>Part Number</u>	<u>Qty</u>
01	Seat Belt Assembly	Includes fixings, Items 2,3,4,5.		A111U0001F	2
02	Cap, black, top fixing bolt			A111U6015H	2
03	Spacer			A111U0017F	2
04	Spring, buckle to seat			A111U6016F	2
05	Bolt, special, buckle to seat fix.			B111U0016F	2
06	Six Point Harness Kit	Also see 1202a/b, not illustrated	MOTOR SPORT	A111U0378S	2

ELISE



ELISE
14.01

Updated 4th December 2017

Service Parts List *ELISE*



Function Code 14.01 Pedal Box, Pedals, Throttle Control

<u>Dep</u>	<u>Part Description</u>	<u>Remarks</u>	<u>Option</u>	<u>Part Number</u>	<u>Qty</u>
01	Throttle Pedal			C111J0018F	1
01a	Throttle Pedal Assembly	Includes pad		C111J0016J	1
02	Pad, throttle pedal			A111J0081F	1
03	Setscrew, M5 x 16, pad to arm retention			A075W1085F	1
04	Washer, M5 x 10 x 1.0, pad to arm retention			A075W4011Z	2
05	Nyloc Nut, M5,pad to arm retention			A075W3008Z	1
06	Bearing, pedal pivots			A111J6018F	6
07	Thrust Washer, pedal pivots			A111J6019F	5
08	Brake Pedal			B111J0069F	1
08a	Brake Pedal Assembly			B111J0070F	1
09	Pad, brake & clutch pedals			C111J0019F	2
10	Clutch Pedal			C111J0017F	1
11	Push Rod, brake master cylinder			A111J0041F	1
12	Push Rod, clutch master cylinder			A111J0042F	1
13	Pop Rivet, 5/32" x 1/2", pad fix.			A075W6068Z	2
14	Trunnion, brake & clutch push rods	Clutch/brake pedals without synthetic bushes	Brake only from VIN: X7261	A111J0039F	2
15	Grubscrew, M6 x 6, push rod locking			A111W7147F	2
16	Driver Footrest, RHD			A111A0103F	1

ELISE

Function Code: 14.01, Page: 1

Updated 4th December 2017

Function Code 14.01 Pedal Box, Pedals, Throttle Control

<u>Dep</u>	<u>Part Description</u>	<u>Remarks</u>	<u>Option</u>	<u>Part Number</u>	<u>Qty</u>
16a	Driver Footrest, LHD			A111A0104F	1
17	Screw, M6 x 16, pozi, footrest fix.			A076W5090F	3
18	Washer, shakeproof, M6, footrest fix.			A075W4046Z	3
19	Locknut, M6, footrest fix.			A100W3108F	3
20	Pedal Shaft			B111J0038F	1
21	Nyloc Nut, M6, shaft fix.			A075W3009Z	2
22	Washer, flat, M6, shaft fix.			A075W4013Z	2
23	Screw, M6 x 35, hex. hd., shaft fix.			A075W1033Z	2
24	Grip-Lock, self adhesive, hook			A111V6020V	0.6M
25	Grip-Lok, self adhesive, loop			A111V6019V	0.6M
26	Passenger Footrest Assembly, LHD			B111A0102J	1
26a	Passenger Footrest Assembly, RHD			B111A0101J	1
27	Foam Seal, 25 x 12.5			A082U6065V	As req.
28	Side plate, pedal box, LH			B111J0033F	1
29	Side plate, pedal box, RH			B111J0034F	1
30	Screw, M6 x 20, hex. hd., side plate fix.			A111W1155F	6
31	Washer, spring, M6			A075W4035Z	6
32	Clip, throttle cable to manifold fix.			A082W6370F	1
33	Clip, throttle cable to canister pipe fix.			A089W6268F	1
34	'P' Clip, throttle cable to sump			A111W6611F	1
35	Washer, shakeproof, M8, 'P' clip to sump			A075W4048Z	1

ELISE

Function Code: 14.01, Page: 2

Updated 4th December 2017

Function Code 14.01 Pedal Box, Pedals, Throttle Control

<u>Dep</u>	<u>Part Description</u>	<u>Remarks</u>	<u>Option</u>	<u>Part Number</u>	<u>Qty</u>
36	Setscrew, M8 x 20, 'P' clip to sump			A075W1038Z	1
37	Tie Wrap, throttle cable fix.			A082W6324F	1
38	Throttle Cable			A111J0114F	1
38a	Throttle Cable, 190 engine	Part of VHPD 190 engine kit	MOTORSPORT	A111J0140S	1
39	Collar, brake light switch fix.			A089M6020F	1
40	Brake Light Switch			A089M6019F	1
41	Bush, nylon, relay lever			A111J6017J	1
42	Nyloc Nut, M4			A075W3049F	1
43	Thrust Washer, nylon, relay lever			A111J6016F	8
44	Relay Lever, throttle linkage		A111J0045J R/B	B111J0045F	1
45	Nut, nyloc, M5			A100W3113F	2
46	Slider Button, relay lever			A111J6020F	1
47	Base Plate, relay lever, RHD			C111J0048F	1
47a	Base Plate, relay lever, LHD			C111J0047F	1
48	Washer, shakeproof, M5, base plate fix			A075W4054Z	2
49	Screw, M5 x 10, pozi, base plate fix.			A082W5097F	2
50	Screw, M4 x 16, pozi, swivel fix.			A100W5133F	2
51	Swivel, throttle linkage			A111J0043F	1
52	Pedal Box Extrusion		C111J0021F R/B	D111J0021F	1
53	Nyloc Nut, M5			A075W3008Z	1
54	Washer, flat, M5 x 10 x 0.8,			A111W4168F	1

ELISE

Function Code: 14.01, Page: 3

Updated 4th December 2017

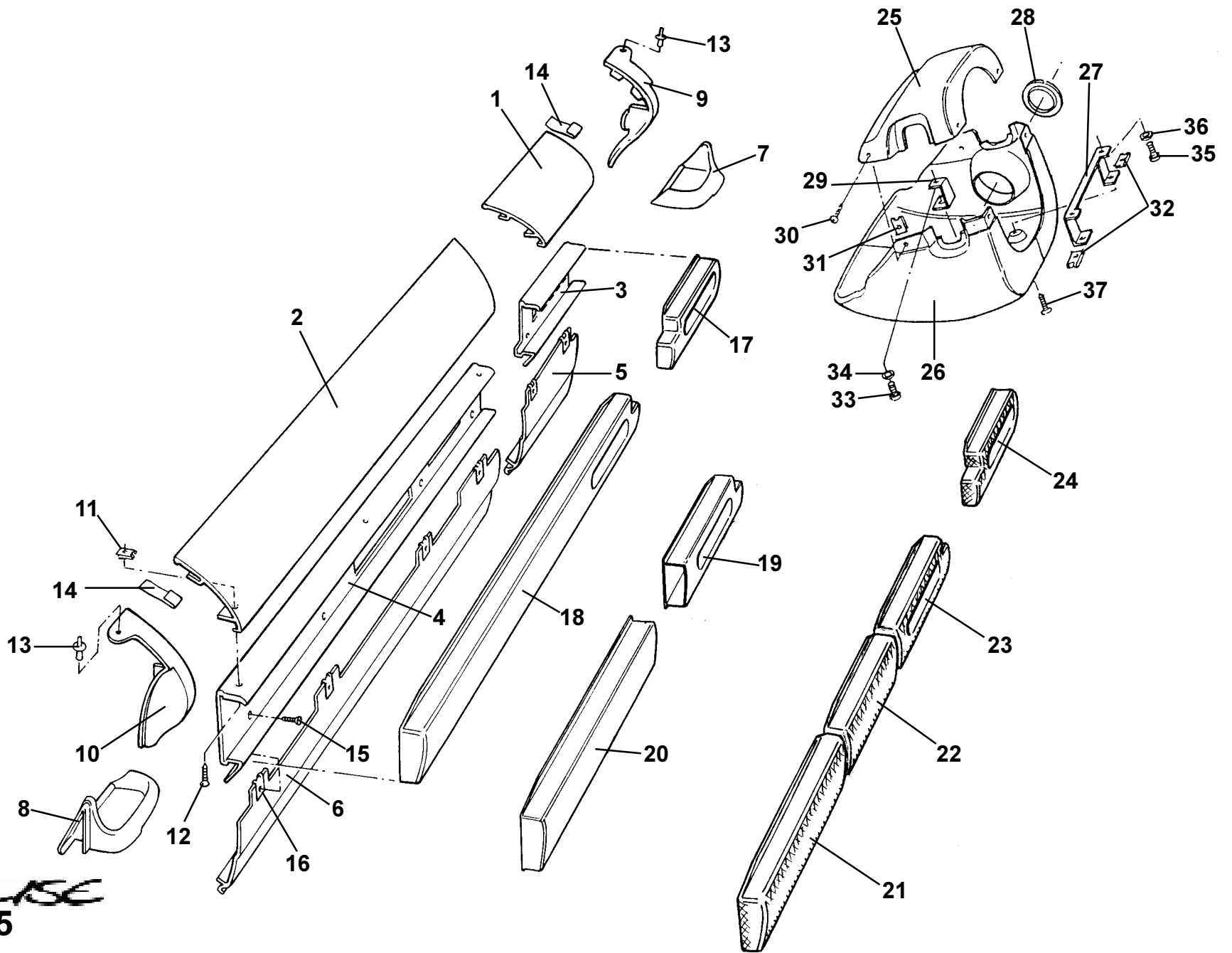
Function Code 14.01 Pedal Box, Pedals, Throttle Control

<u>Dep</u>	<u>Part Description</u>	<u>Remarks</u>	<u>Option</u>	<u>Part Number</u>	<u>Qty</u>
55	Screw, M5 x 12, button hd.			A111W7138F	1
56	Setscrew, M6 x 35, throttle pedal stop			A075W1033Z	1
57	Nut, M6, nyloc, throttle pedal stop			A082W3085F	1
58	Pulsert, M6 x 1.0			A079W6156F	1
59	Nut Plate, pedal box			A111J0083F	1
60	Washer, flat, M5 x 10 x 1.0			A075W4011Z	2
61	Blanking Plug			A111J6020F	2
62	Link, throttle spring, RHD			A111J0096F	1
62a	Link, throttle spring, LHD			A111J0097F	1
63	Throttle Return Spring			A075J6029Z	1
64	Pull Rod , throttle linkage	Rod only		A111J0044F	1
65	Ball Joint, pull rod			A111J6015F	2
66	Locknut, M5, ball joint/pull rod			A082W3088F	2
67	Bracket, throttle pedal to pull rod			B111J0046F	1
68	Pop Rivet, 3/16", bracket to throttle pedal			A075W6087Z	1
69	Nyloc Nut, M5, throttle pedal link fix.			A100W3113F	2
70	Trunnion, clutch/brake pedal	Can be retro fitted to both pedals	VIN: X7261 on (clutch)	A111J0155F	1
71	Bush, synthetic, clutch/brake pedal trunnion	Can be retro fitted to both pedals	VIN: X7261 on (clutch)	A111J6036F	2
72	Setscrew, M5 x 12, hex. hd.			A075W1021Z	2
73	Grease, molycote DC33 medium, pedal bush lube	Not illustrated, for trunnions without bushes		A111F6016V	As req.

ELISE

Function Code: 14.01, Page: 4

Updated 4th December 2017



ELISE
14.05

Function Code 14.05 Fascia Structure & Supporting Hardware

<u>Dep</u>	<u>Part Description</u>	<u>Remarks</u>	<u>Option</u>	<u>Part Number</u>	<u>Qty</u>
01	Dash Panel Upper, driver's side (short)		RHD	B111U0106F	1
01a	Dash Panel Upper, driver's side (short)		LHD	B111U0105F	1
02	Dash Panel Upper, passenger's side (long)		RHD	B111U0108F	1
02a	Dash Panel Upper, passenger's side (long)		LHD	B111U0107F	1
03	Dash Panel Middle, driver's side (short)		RHD	B111U0110F	1
03a	Dash Panel Middle, driver's side (short)		LHD	B111U0109F	1
04	Dash Panel Middle, passenger's side (long)		RHD	B111U0112F	1
04a	Dash Panel Middle, passenger's side (long)		LHD	B111U0111F	1
05	Dash Panel Lower, driver's side (short)		RHD/LHD	B111U0113F	1
06	Dash Panel Lower, passenger's side (long)		RHD/LHD	B111U0114F	1
07	Coin Tray, RH			A111V0086K	1
08	Coin Tray, LH			A111V0087K	1
09	Finisher, dash end, RH			A111V0056K	1
10	Finisher, dash end, LH			A111V0057K	1
11	Spire Nut, No.8, dash middle to upper			A075W6016Z	6
12	Screw, No.8 x 3/4", csk. pozi., dash middle to upper			A111W5215F	6
13	Plastic Rivet, finisher fixing			A082W6515F	2
14	Spring Clip, anti-rattle			A111B0190F	4
15	Screw, No. 6 x 3/4, csk. pozi., dash middle to lower			A075W5026Z	6
16	Spire Nut, No. 6, dash middle to lower			A082W6239F	6
17	Dash Infill Panel, driver's side (short)		RHD, prior to '99	A111V0073K	1

ELISE

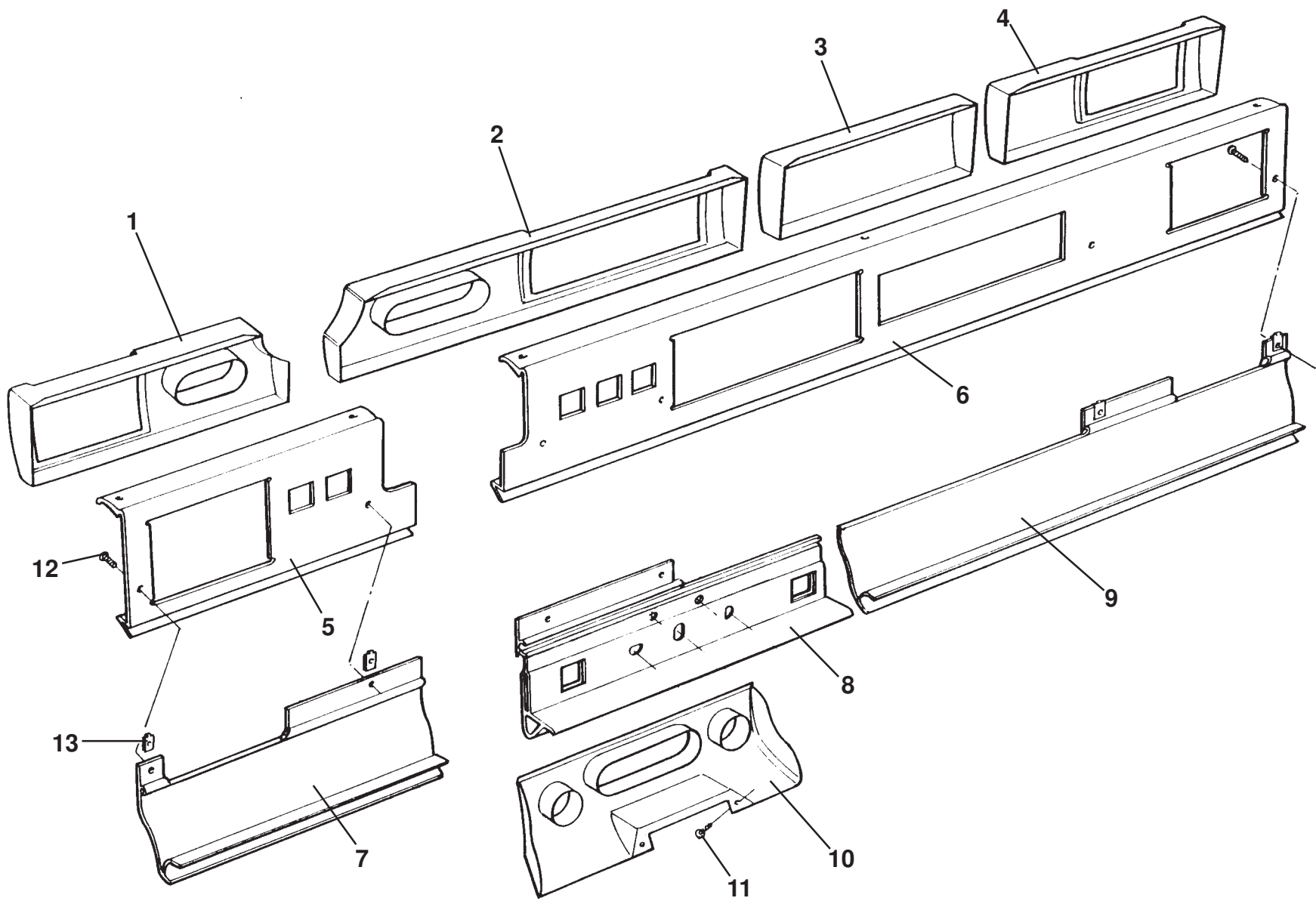
Function Code 14.05 Fascia Structure & Supporting Hardware

<u>Dep</u>	<u>Part Description</u>	<u>Remarks</u>	<u>Option</u>	<u>Part Number</u>	<u>Qty</u>
17a	Dash Infill Panel, driver's side (short)		LHD, prior to '99	A111V0075K	1
18	Dash Infill Panel, passenger's side (long)		RHD, prior to '99	A111V0079K	1
18a	Dash Infill Panel, passenger's side (long)		LHD, prior to '99	A111V0081K	1
19	Dash Infill Panel, centre	Part of radio fitting kit*	RHD, prior to '99	A111V0075K	1
19a	Dash Infill Panel, centre	Part of radio fitting kit*	LHD, prior to '99	A111V0073K	1
20	Dash Infill Panel, passenger's side	Part of radio fitting kit*	RHD/LHD, prior to '99	A111V0077K	1
21	Dash Infill Panel, weave pattern, passenger's side		RHD/LHD, 111S	A111V0446K	1
21a	Dash Infill Panel, gold, passenger's side		JPS 111S	A111V0542K	1
21b	Dash Infill Panel, blue alcantara, passenger's side		Millenium Special Ed.	A111V0698K	1
22	Dash Infill Panel, weave pattern, radio blanking		RHD/LHD, 111S	A111V0448K	1
22a	Dash Infill Panel, senotex, radio blanking	From 111S intro., Jan. '99	RHD/LHD, standard car	A111V0373K	1
22b	Dash Infill Panel, gold, radio blanking		JPS 111S	A111V0541K	1
23	Dash Infill Panel, weave pattern, switches/htr. conts., LH		RHD/LHD, 111S	A111V0444K	1
23a	Dash Infill Panel, gold, switches/htr. conts., LH		JPS 111S	A111V0540K	1
23a	Dash Infill Panel, blue alcantara, switches/htr. conts., LH		Millenium Special Ed.	A111V0699K	1
24	Dash Infill Panel, weave pattern, switches/htr. conts., RH		RHD/LHD, 111S	A111V0442K	1
24a	Dash Infill Panel, gold, switches/htr. conts., RH		JPS 111S	A111V0539K	1
24b	Dash Infill Panel, blue alcantara, switches/htr. conts., RH		Millenium Special Ed.	A111V0700K	1
25	Shroud, steering column upper			B111V0059K	1
26	Shroud, steering column lower			A111V0383K	1
27	Bracket, steering column cowling front			A111U0127F	1

ELISE

Function Code 14.05 Fascia Structure & Supporting Hardware

<u>Dep</u>	<u>Part Description</u>	<u>Remarks</u>	<u>Option</u>	<u>Part Number</u>	<u>Qty</u>
28	Grommet, steering lock to cowling			B100V6061F	1
29	Bracket, steering column cowling rear			A111U0128F	1
30	Screw, No. 8 x 3/4, csk. pozi.	Upper to lower shroud		A075W5012F	4
31	Spire Nut, M6	Upper to lower shroud		A079W6024F	4
32	Spire Nut, M8	Shroud to brackets		A075W6016Z	3
33	Screw No. 10 x 1/2", pan hd. pozi.	Bracket to column rear		A075W5040Z	2
33	Washer, flat, M5	Bracket to column rear		A075W4011Z	2
35	Screw, M4 x 10, pan hd. pozi.	Bracket to column front		A075W5079F	2
36	Washer, int. shakeproof, M4	Bracket to column front		A075W4086F	2
37	Screw, No. 8 x 3/4"	Shroud to brackets		A075W5074Z	3
		*From Jan. '99 all cars have three infill panels, including radio blinking panel			

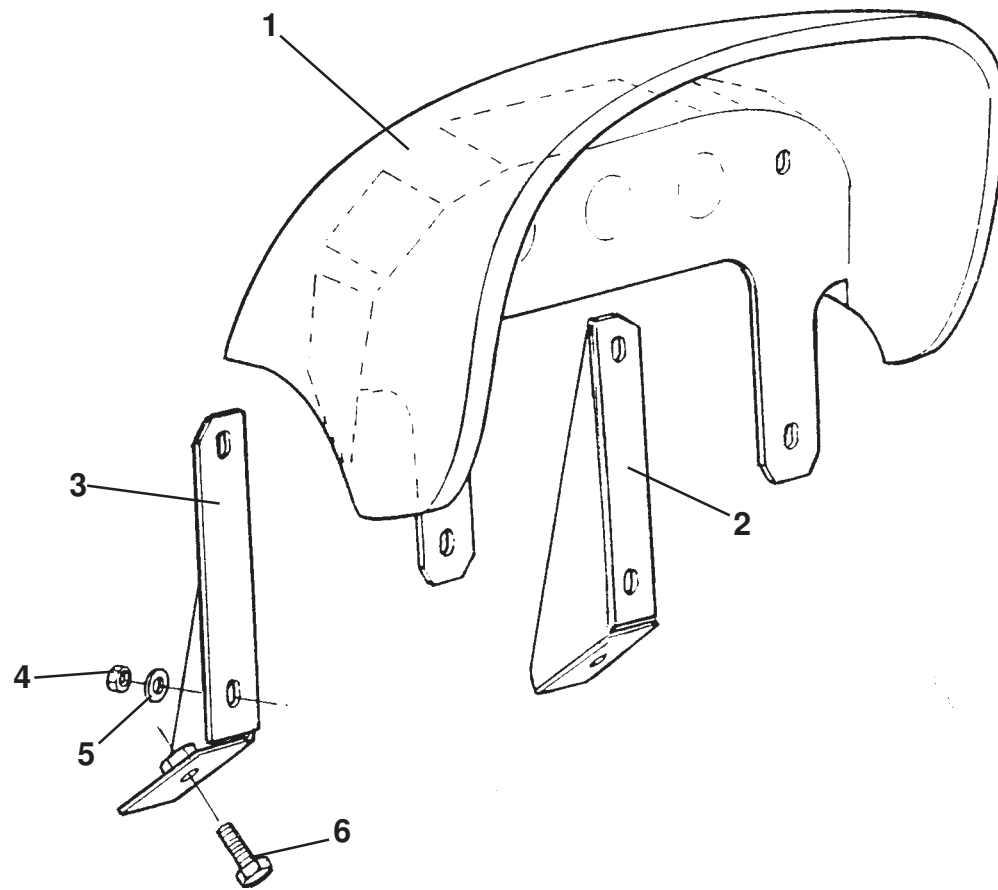


ELISE
14.05a

Function Code 14.05a Fascia Structure & Supporting Hardware AC Cars

<u>Dep</u>	<u>Part Description</u>	<u>Remarks</u>	<u>Option</u>	<u>Part Number</u>	<u>Qty</u>
01	Infill Panel, driver's side, single vent.		RHD	A111V0268K	1
01a	Infill Panel, driver's side, single vent.		LHD	A111V0267K	1
02	Infill Panel, centre, twin vent.		RHD	A111V0270K	1
02a	Infill Panel, centre, twin vent.		LHD	A111V0269K	1
03	Blanking Panel, radio aperture		Common	A111V0281K	1
04	Infill Panel, passenger's side, single vent.		RHD	A111V0278K	1
04a	Infill Panel, passenger's side, single vent.		LHD	A111V0279K	1
05	Dash Panel Middle, driver's side (short)		RHD	A111U0364F	1
05a	Dash Panel Middle, driver's side (short)		LHD	A111U0365F	1
06	Dash Panel Middle, passenger's side (long)		RHD	A111U0366F	1
06a	Dash Panel Middle, passenger's side (long)		LHD	A111U0367F	1
07	Dash Panel Lower, driver's side (short)		RHD	A111U0360F	1
07a	Dash Panel Lower, driver's side (short)		LHD	A111U0361F	1
08	AC Switch Panel		RHD	A111U0370F	1
08a	AC Switch Panel		LHD	A111U0369F	1
09	Dash Panel Lower, passenger's side (long)		RHD	A111U0362F	1
09a	Dash Panel Lower, passenger's side (long)		LHD	A111U0363F	1
10	Trim Panel, AC switches		RHD	A111V0290K	1
10a	Trim Panel, AC switches		LHD	A111V0289K	1
11	Screw, No.6 x 1/2", flg. hd. pozi.	Trim panel to dash		A075W5012F	2
12	Screw, No.6 x 3/4", csk. pozi.	Dash middle to lower		A075W5026Z	6

ELISE

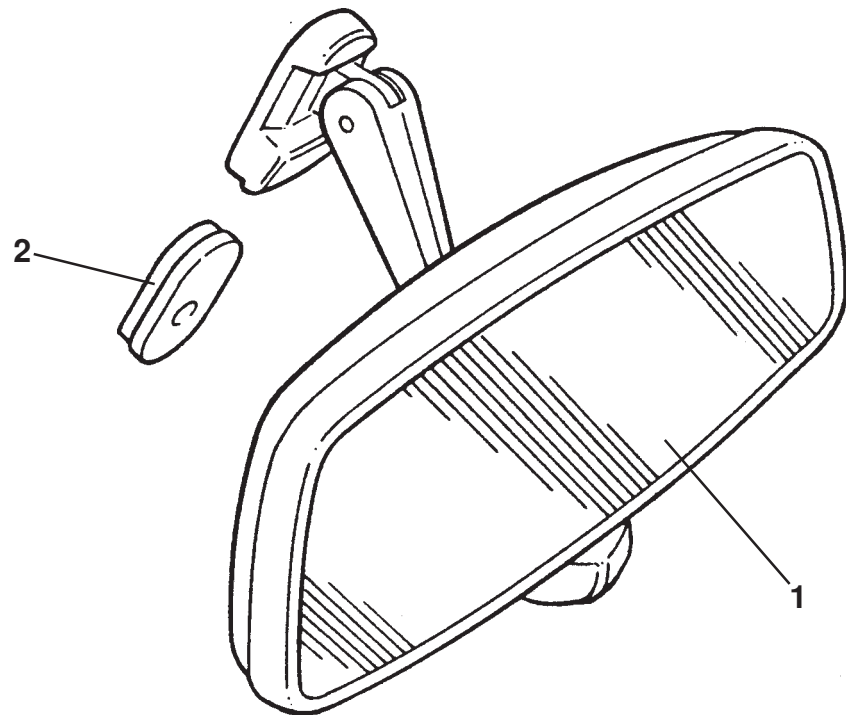


ELISE
14.10

Function Code 14.10 Instrument Cowling

<u>Dep</u>	<u>Part Description</u>	<u>Remarks</u>	<u>Option</u>	<u>Part Number</u>	<u>Qty</u>
01	Instrument Cowling			A111U0146J	1
02	Bracket, instrument mounting, RH			C111U0156F	1
03	Bracket, instrument mounting, LH			C111U0155F	1
04	Nut, M4	Instrument pack to brackets		A075W3019F	4
05	Washer, flat, M4 x 9 x 0 8	Instrument pack to brackets		A082W4099F	4
06	Screw, M6 x 15, hex. hd.	Brackets to dash		A100A6024F	2

ELISE



ELISE
15.05

Service Parts List *ELISE*



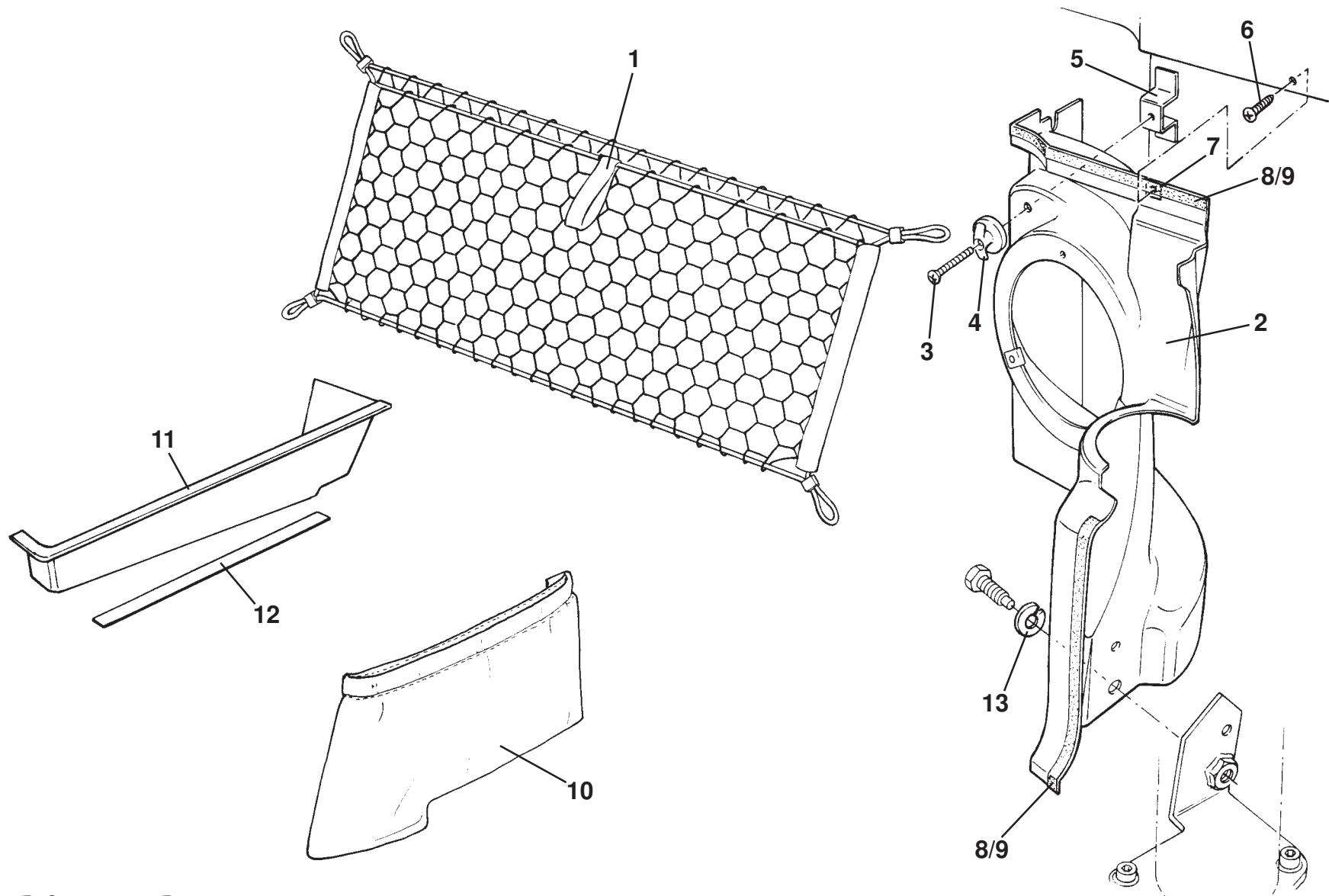
Function Code 15.05 Interior Driving Mirror & Sunvisors

<u>Dep</u>	<u>Part Description</u>	<u>Remarks</u>	<u>Option</u>	<u>Part Number</u>	<u>Qty</u>
01	Mirror Assembly, interior rear view	includes item 2 (Rover 90443378)		A111U6001F	1
02	Mounting Plinth, interior mirror			A111U6026F	1
03	Adhesive Kit, mirror mounting plinth	Not illustrated		A100B6230S	1

ELISE

Function Code: 15.05, Page: 1

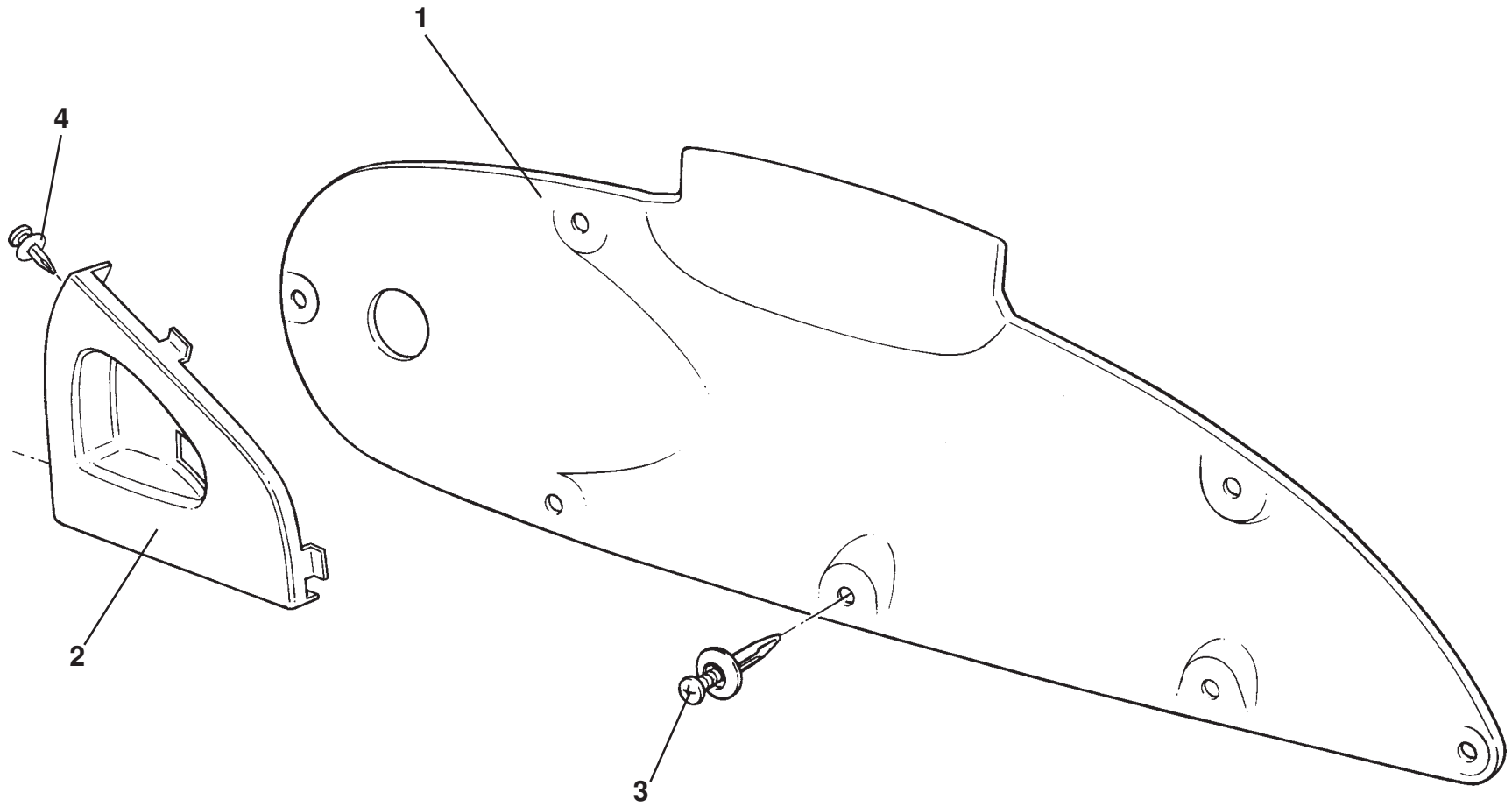
Updated 6th November 2010



ELISE
15.11

Function Code 15.11 Interior Trim & Stowage Provision

<u>Dep</u>	<u>Part Description</u>	<u>Remarks</u>	<u>Option</u>	<u>Part Number</u>	<u>Qty</u>
01	Stowage Net			A111V6008F	1
02	Rear Quarter Trim, LH	Fits bulkhead, prior AC commonisation		B111V0053K	1
02a	Rear Quarter Trim, LH	Fits bulkhead, AC commonisation		B111V0286K	1
02b	Rear Quarter Trim, RH	With hole for grommet, item 14		B111V0052K	1
03	Screw, M4 x 30 pan hd. pozi.			A111W5222F	4
04	'T' Anchor, stowage net retention			A111V6009F	4
05	Bracket, fixing post stowage net	Bonded to rear bulkhead		A111V0103F	2
06	Screw No. 6 x 1/2", trim fix.			A075W5012F	2
07	Spire Nut, trim fix.			A079W6024F	2
08	Grip-Loc Self Adhesive Loop 20mm	Rear trim to bulkhead/'B' post		A111V6019V	2M
09	Grip-Loc Self Adhesive Hook 20mm	Rear trim to bulkhead/'B' post		A111V6020V	2M
10	Pocket, passenger stowage RHD	Side of gear lever cover		A111V0274J	1
10a	Pocket, passenger stowage LHD	Side of gear lever cover		A111V0275J	1
11	Stowage Tray, RHD	Driver's side		A111V0100K	1
11a	Stowage Tray, LHD	Driver's side		A111V0101K	1
12	Double Sided Tape, stowage tray fixing			C075U6071V	As req.
13	Washer, spring M12	Between belt reel & trim panel		A075W4069F	2
14	Grommet, allen key stowage	Not illustrated, in RH rear trim		A036B6182Z	1



ELISE
15.13

Service Parts List *ELISE*



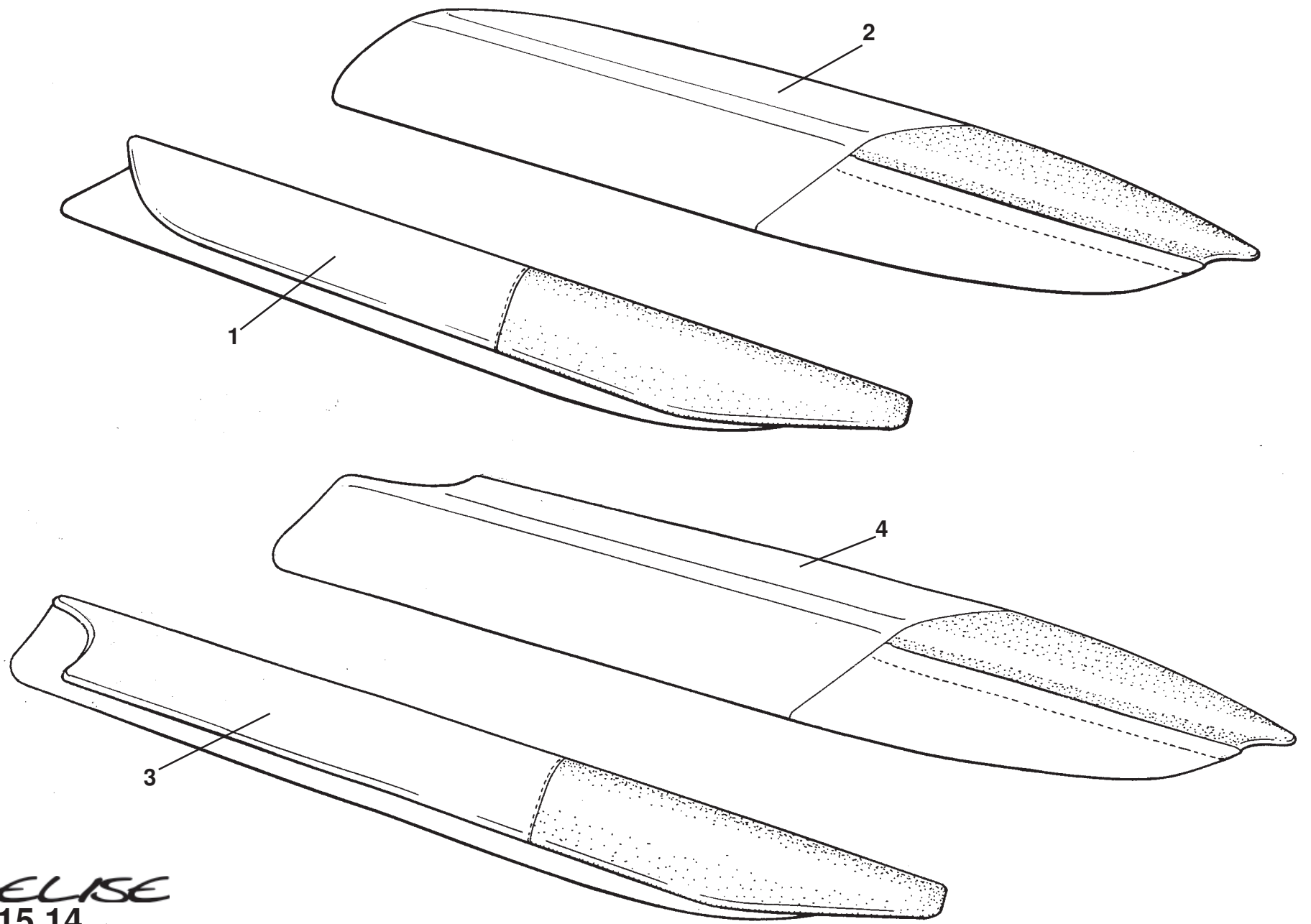
Function Code 15.13 Front Door Trims

<u>Dep</u>	<u>Part Description</u>	<u>Remarks</u>	<u>Option</u>	<u>Part Number</u>	<u>Qty</u>
01	Door Trim, RH			A111V0040K	1
01a	Door Trim, LH			A111V0041K	1
02	Escutcheon, interior release, RH			A111V0044K	1
02a	Escutcheon, interior release, RH		Blue alcantara	A111V0704J	1
02b	Escutcheon, interior release, LH			A111V0045K	1
02c	Escutcheon, interior release, LH		Blue alcantara	A111V0703J	1
03	Plastic Fastener, door trims			A111W6534F	14
03a	Metal Fastener, door trims	Only available as Aftersales accessory containing 14 fixings	Aftersales option/special editions	LOTAC05024	1
04	Plastic Fastener, escutcheons			A111W6535F	4

ELISE

Function Code: 15.13, Page: 1

Updated 2nd February 2015



ELISE
15.14

Function Code 15.14 Interior Trims

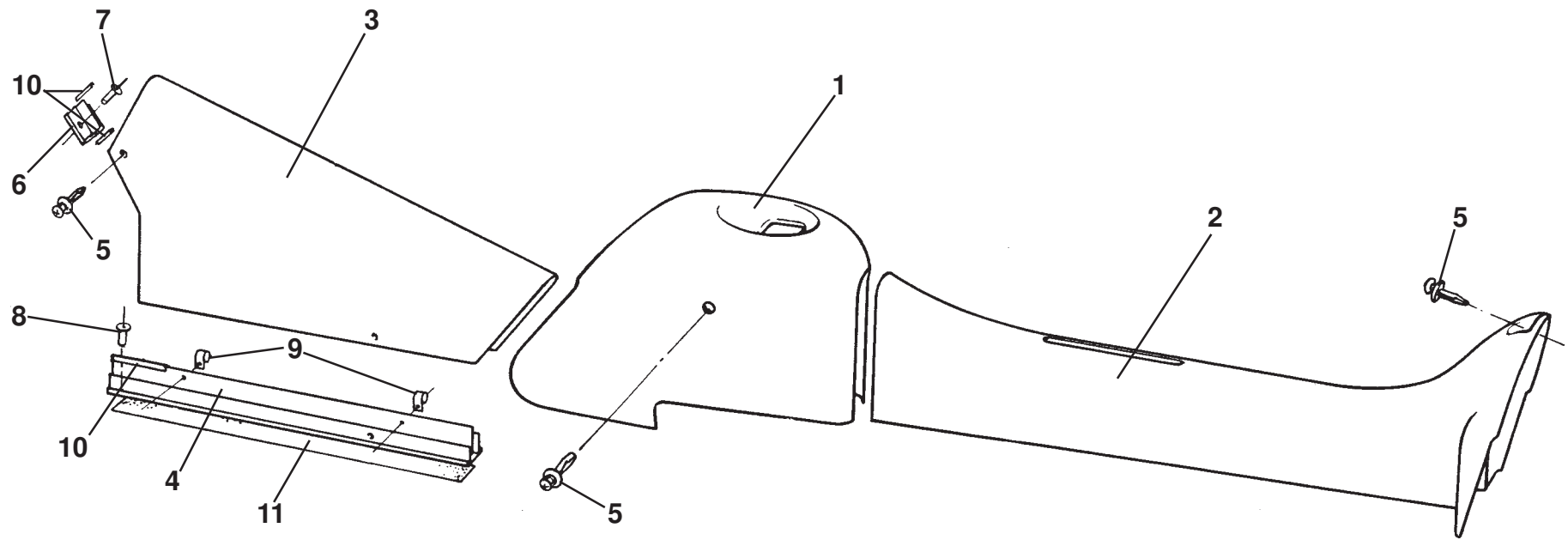
<u>Dep</u>	<u>Part Description</u>	<u>Remarks</u>	<u>Option</u>	<u>Part Number</u>	<u>Qty</u>
01	Trim Pad Assembly, LH		Blue leather	A111V0113J	1
01a	Trim Pad Assembly, LH		Red leather	A111V0115J	1
01b	Trim Pad Assembly, LH		Raffia leather	A111V0109J	1
01c	Trim Pad Assembly, LH		Charcoal cloth	A111V0111J	1
01d	Trim Pad Assembly, LH		Magnolia leather	A111V0249J	1
01e	Trim Pad Assembly, LH		Black leather	A111V0202J	1
01f	Trim Pad Assembly, LH		Red Wing, leather	A111V0204J	1
01g	Trim Pad Assembly, LH		Racing green	A111V0178J	1
01h	Trim Pad Assembly, LH		Begonia	A111V0188J	1
01i	Trim Pad Assembly, LH		Viking blue	A111V0183J	1
01j	Trim Pad Assembly, LH		Golden tan	A111V0173J	1
02	Trim Pad Assembly, RH		Blue leather	A111V0114J	1
02a	Trim Pad Assembly, RH		Red leather	A111V0116J	1
02b	Trim Pad Assembly, RH		Raffia leather	A111V0110J	1
02c	Trim Pad assembly, RH		Charcoal cloth	A111V0112J	1
02d	Trim Pad Assembly, RH		Magnolia leather	A111V0248J	1
02e	Trim Pad Assembly, RH		Black leather	A111V0203J	1
02f	Trim Pad Assembly, RH		Red wing, leather	A111V0205J	1
02g	Trim Pad Assembly, RH		Racing green	A111V0179J	1
02h	Trim Pad Assembly, RH		Begonia	A111V0189J	1
02i	Trim Pad Assembly, RH		Viking blue	A111V0184J	1

ELISE

Function Code 15.14 Interior Trims

<u>Dep</u>	<u>Part Description</u>	<u>Remarks</u>	<u>Option</u>	<u>Part Number</u>	<u>Qty</u>
02j	Trim Pad Assembly, RH		Golden tan	A111V0174J	1
03	Trim Pad Assembly, long, LH	AC cars	Black only	A111V0251J	1
04	Trim Pad Assembly, long, RH	AC cars	Black only	A111V0250J	1
05	Double Sided Tape, trim pad to chassis			B075U6070V	4M

ELISE



ELISE
15.19

Service Parts List *ELISE*



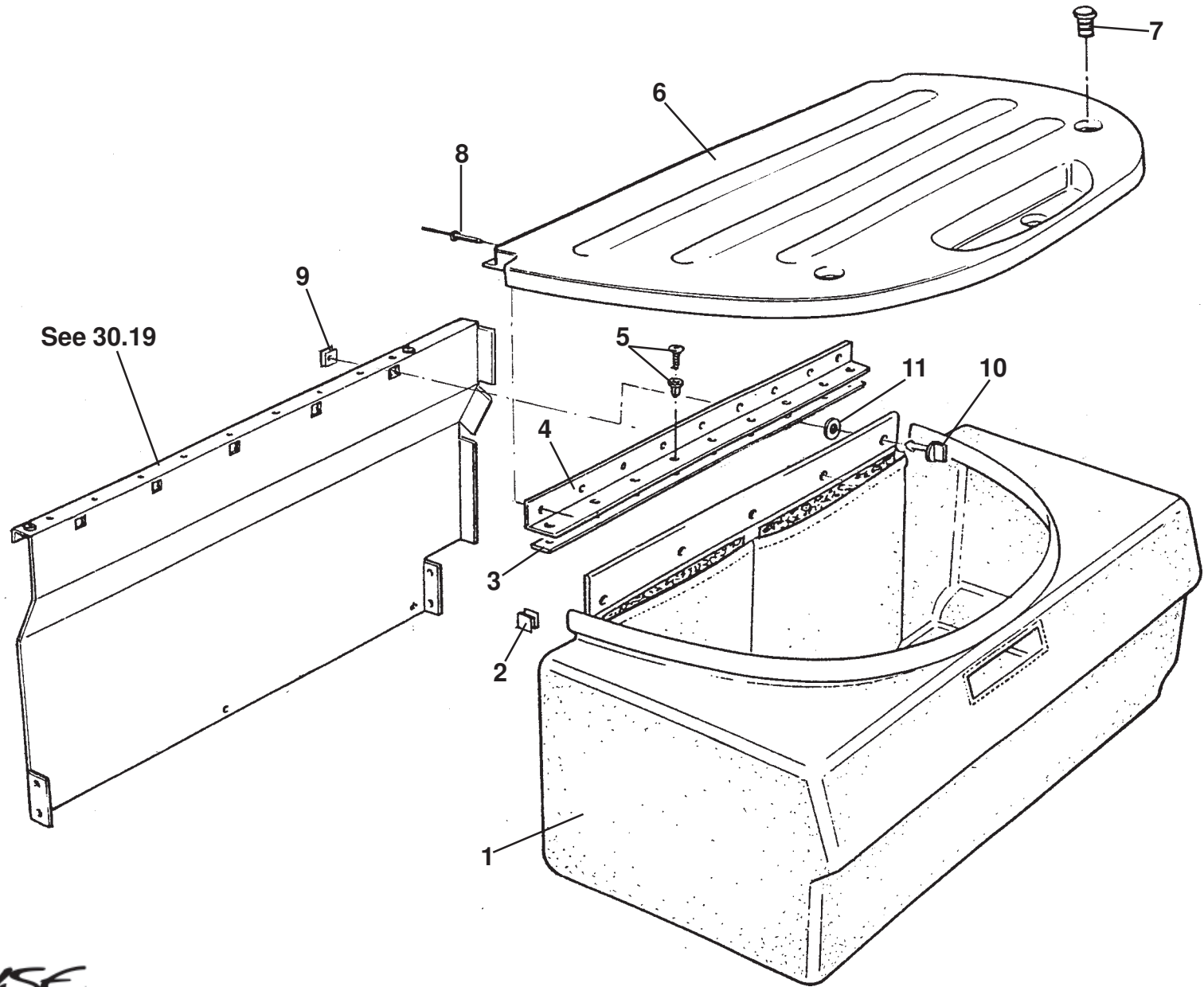
Function Code 15.19 Centre Tunnel Trim, Gear Lever Gaiters/Shrouds

<u>Dep</u>	<u>Part Description</u>	<u>Remarks</u>	<u>Option</u>	<u>Part Number</u>	<u>Qty</u>
01	Cover, gear lever, RHD	No stowage pocket fixing		A111U0216K	1
01a	Cover, gear lever, RHD	With pocket fixing		A111U0212K	1
01b	Cover, gear lever, LHD	Assembly with pocket		A111U0209J	1
01c	Cover, gear lever, LHD	No stowage pocket fixing		A111U0217K	1
01d	Cover, gear lever, LHD	With pocket fixing		A111U0211K	1
01e	Cover, gear lever, RHD	Assembly with pocket		A111U0210J	1
02	Cover, handbrake			A111U0102K	1
03	Cover, tunnel front, RHD	Alloy		B111A0068F	1
03a	Cover, tunnel front, LHD	Alloy		A111A0106F	1
04	Mounting Bracket, front tunnel to floor			C111A0067F	1
05	Plastic Fastener, tunnel fix.			A082W6505F	7
06	Mounting Bracket, front tunnel to toeboard			B111A0069F	1
07	Pop Rivet, 3/16" x 9/16", bracket fix.			A082W6243F	1
08	Blind Rivet, tunnel mount fix.			A111W6613F	4
09	Clip, harness retention			A075W6229F	2
10	Edging Strip, harness protection			B075U6054V	0.16M
11	Tape, double sided, tunnel mount to floor			B075U6070V	0.55M

ELISE

Function Code: 15.19, Page: 1

Updated 30th March 2020



ELISE
15.23

Service Parts List *ELISE*



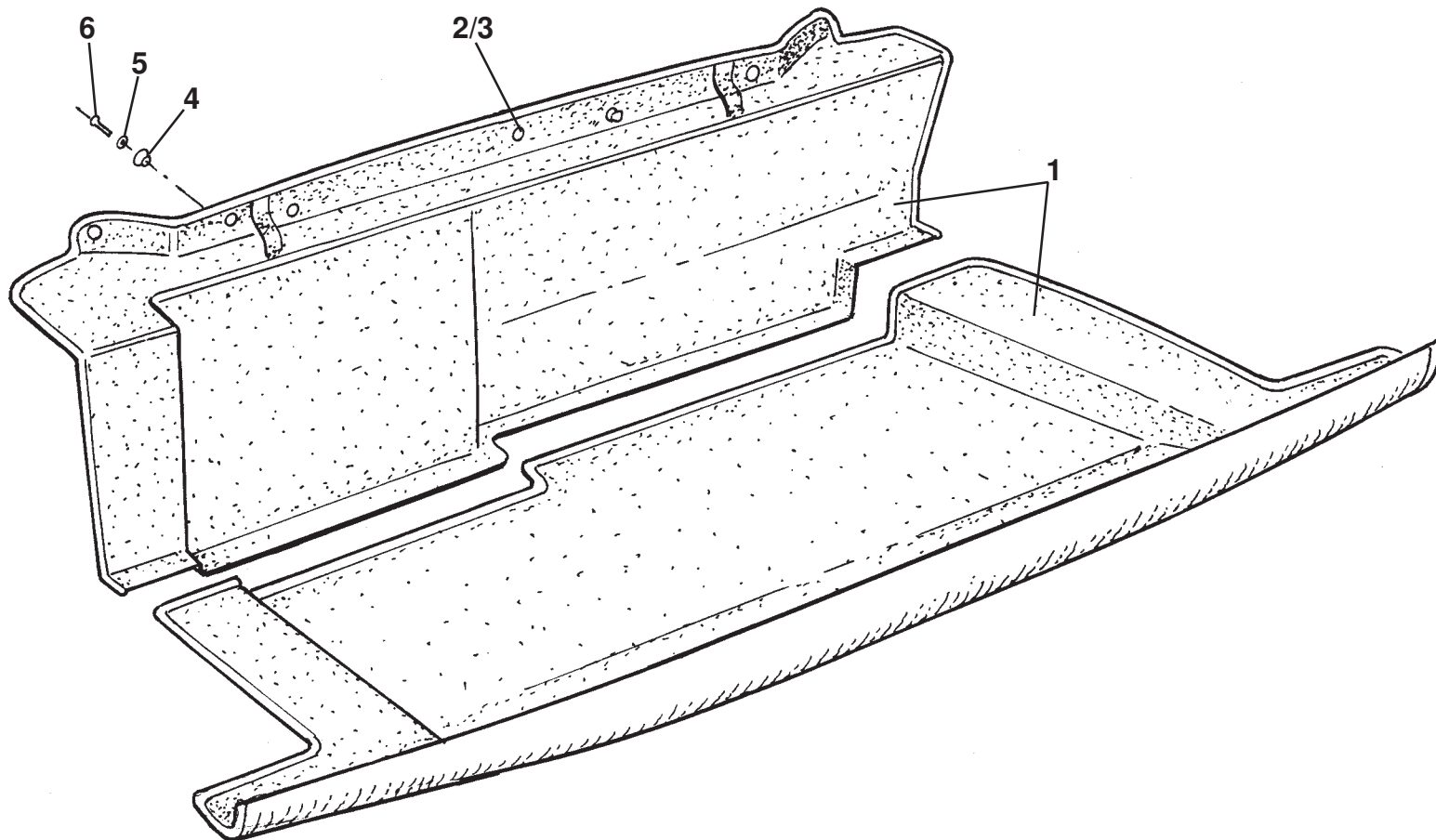
Function Code 15.23 Luggage Compartment Stowage

<u>Dep</u>	<u>Part Description</u>	<u>Remarks</u>	<u>Option</u>	<u>Part Number</u>	<u>Qty</u>
01	Boot Bag			A111V0151J	1
02	Clip, boot bag to clamshell gutter			A111V0156F	2
03	Shim 1.6mm, , hinge height adjustment			A111V0155K	As req.
03a	Shim 2.4mm, , hinge height adjustment			A111V0154K	As req.
04	Hinge, boot bag lid			A111V0148F	1
05	Fastener, plastic, hinge to bulkhead			A111W6535F	9
06	Lid, boot bag			A111V0142K	1
07	Buffer/Adjuster, boot bag lid			A082U6163F	2
08	R-Lok Expansion Rivet, hinge to boot bag lid			A111W6604F	9
09	Cam, turnbuckle, boot bag to bulkhead			B075W6181F	5
10	Stud, turnbuckle, boot bag to bulkhead			A075W6180F	5
11	Washer, turnbuckle, boot bag to bulkhead			A075W6182F	5

ELISE

Function Code: 15.23, Page: 1

Updated 6th November 2010

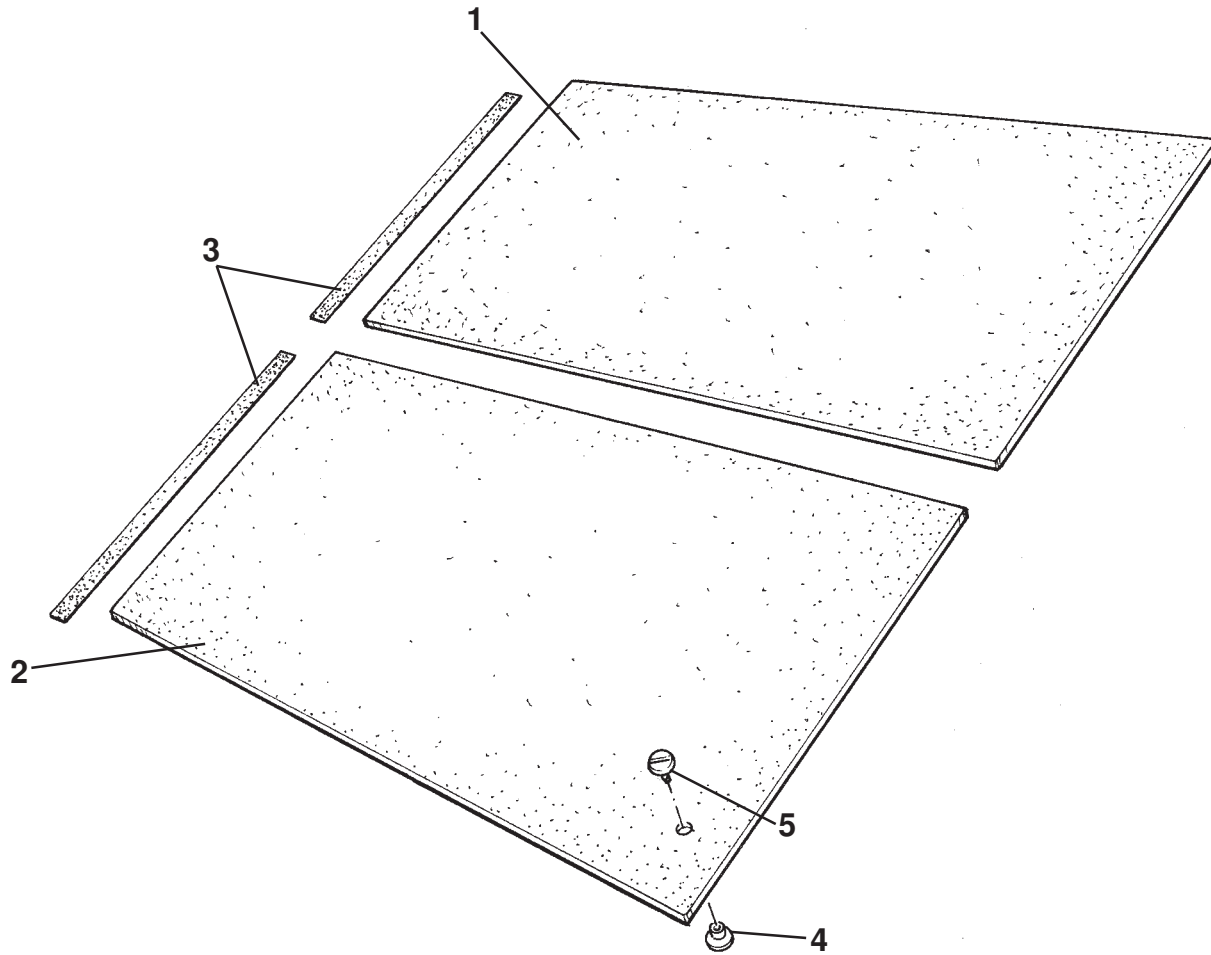


ELISE
15.24

Function Code 15.24 Luggage Compartment Carpet

<u>Dep</u>	<u>Part Description</u>	<u>Remarks</u>	<u>Option</u>	<u>Part Number</u>	<u>Qty</u>
01	Carpet Set, composite boot-box	Incl. fastener buttons, items 2/3	Boot-box cars	B111V0427J	1
02	Press Fastener Button, bulkhead carpet fix.	Part of item 1	Boot-box cars	A111B6074F	5
03	Press Fastener Socket, bulkhead carpet fix.	Part of item 1	Boot-box cars	A111B6075F	5
04	Press Fastener Stud, carpet to bulkhead		Boot-box cars	A111B6076F	5
05	Washer, flat, 1/8 x 3/8"		Boot-box cars	A075W4001Z	5
06	Pop Rivet, fastener fix.		Boot-box cars	A075W6070Z	5

ELISE



ELISE
15.30

Service Parts List *ELISE*



Function Code 15.30 Carpeting & Mats

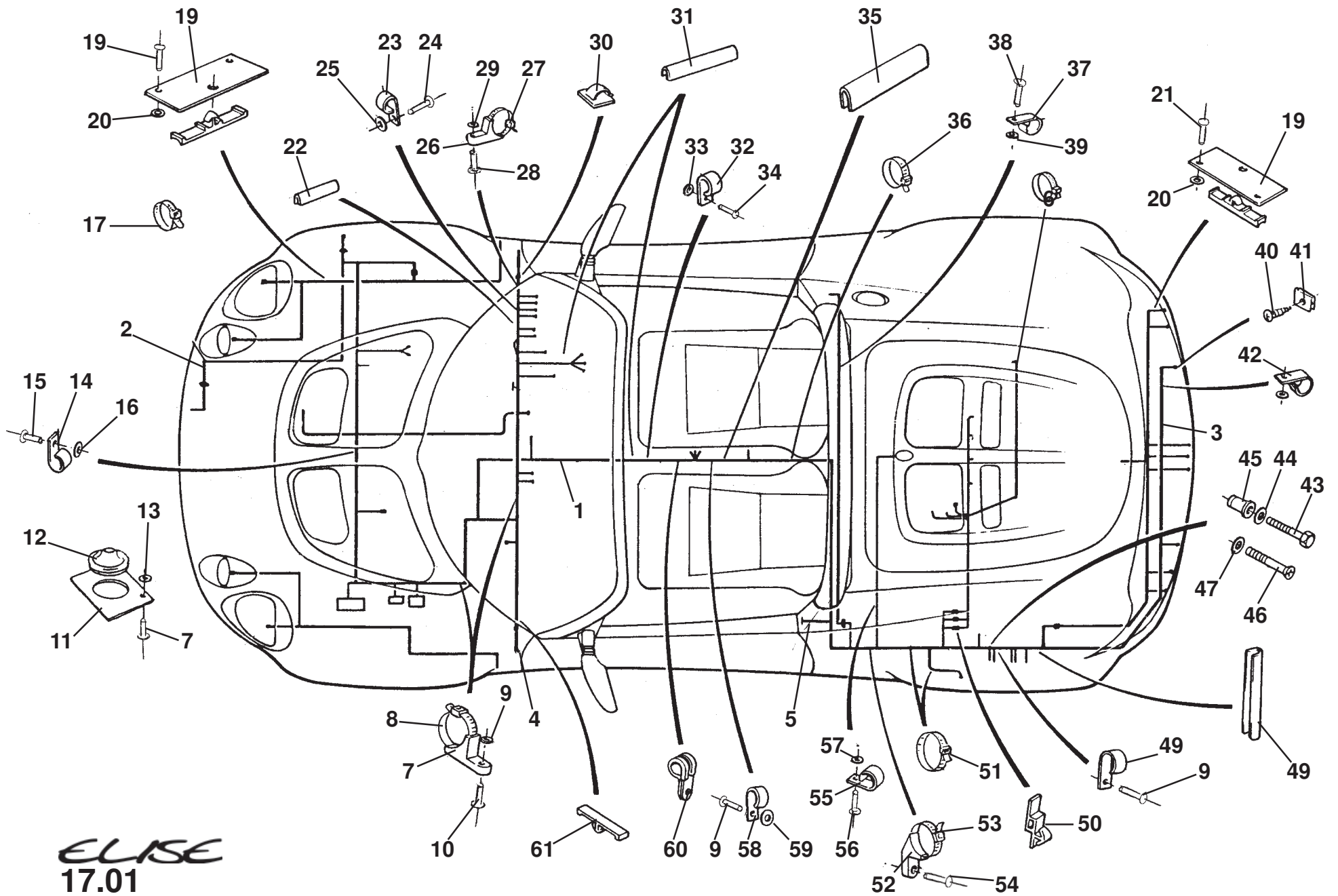
<u>Dep</u>	<u>Part Description</u>	<u>Remarks</u>	<u>Option</u>	<u>Part Number</u>	<u>Qty</u>
01	Floor Mat, RH, RHD	Use item 2b	A111V0046K R/B	A117V0733S	1
01a	Floor Mat, RH, LHD	Use item 2c	A111V0048K R/B	A117V0734S	1
02	Floor Mat, LH, RHD	Use item 2b	A111V0047K R/B	A117V0733S	1
02a	Floor Mat, LH, LHD	Use item 2c	A111V0049K R/B	A117V0734S	1
02b	Floor Carpet Set, RHD	Chassis corrosion programme*	Retro-fit all	A117V0733S	1
02c	Floor Carpet Set, LHD	Chassis corrosion programme*	Retro-fit all	A117V0734S	1
03	Velcro Strip, hook, self adhesive	Chassis corrosion programme*	B075U6070V R/B	A111V6020V	0.5m
04	Carpet Fixing Stud, lower	Chassis corrosion programme*		A117U6009F	4
05	Carpet Fixing Stud, upper	Chassis corrosion programme*		A117U6008F	4
06	Floor Mat Set, black/gold, RHD	Not illustrated, Black with gold 'Elise 111S' stitching	JPS 111S	A111V0534F	1
06a	Floor Mat Set, black/gold, LHD	Not illustrated, Black with gold 'Elise 111S' stitching	JPS 111S	A111V0533F	1

* See Service Bulletin 2004/14

ELISE

Function Code: 15.30, Page: 1

Updated 3rd June 2016



ELISE
17.01

Service Parts List *ELISE*



Function Code 17.01 Harnesses, Leads

<u>Dep</u>	<u>Part Description</u>	<u>Remarks</u>	<u>Option</u>	<u>Part Number</u>	<u>Qty</u>
01	Harness, main	12 slot fusebox	Prior to VIN*, see below	B111M0011F	1
01a	Harness, main	22 slot fusebox	From VIN*, see below	C111M0082F	1
01b	Harness, main, AC	Malaysian spec.	AC only	A111M0083F	1
01c	Harness, main, AC/Heater	Cars built in 2000 (Exige system)	AC/Heater	D111M0083F	1
01d	Harness, main		Australia only	B111M0071K	1
02	Harness, front clamshell			A111M0012F	1
03	Harness, rear clamshell			B111M0013F	1
03a	Harness, rear clamshell, twin reverse lamps		Malaysia Specification	A111M0106F	1
04	Harness, door switch			A111M0042F	2
05	Jumper Harness, main loom to fuel pump			A111M6103S	1
06	Engine Harness		Standard car	A111E6141S	1
06a	Engine Harness, VVC		111S	A111E6405S	1
06b	Engine Harness, AC		AC only	A111E6100S	1
06c	Fuel Injector Harness	Not illustrated		A111E6233S	1
07	Cradle, cable tie, harness to heater duct ABS panel			A082W6276F	6
08	Cable Tie, harness to heater duct ABS panel			A075W6038Z	2
09	Pop Rivet, 3/16" x 7/16"			A075W6087Z	2
10	Washer, flat, M5 x 10 x 1			A075W4011Z	2

ELISE

Function Code: 17.01, Page: 1

Updated 1st December 2014

Function Code 17.01 Harnesses, Leads

<u>Dep</u>	<u>Part Description</u>	<u>Remarks</u>	<u>Option</u>	<u>Part Number</u>	<u>Qty</u>
11	Mounting Plate, grommet			A111M0040K	1
12	Grommet, harness grommet to scuttle			TBA	1
13	'P' Clip, harness to radiator duct			A075W6230F	3
14	Washer, flat, 3/16" x 1/2"			A075W4000Z	2
15	Pop Rivet, 3/16" x 7/16"			A075W6087Z	3
16	Washer, flat M5 x 10 x 1.0			A075W4011Z	3
17	Cable Tie			A075W6038Z	2
18	Bracket, long, harness			A111M0020K	2
19	Bracket, short, harness			A111M0021K	4
20	Washer, flat, 1/8" x 3/8"			A075W4001Z	12
21	Pop Rivet, 3.2mm x 11.5mm			A082W6512F	12
22	Edging Strip, harness protection			A085U6080V	0.7m
23	'P' Clip			A075W6228F	2
24	Pop Rivet, 3/16" x 7/16"			A075W6097Z	2
25	Washer, flat, M5 x 10 x 1.0			A075W4011Z	2
26	Cradle, cable tie			A085W6276F	1
27	Cable tie			A075W6038Z	1
28	Pop Rivet, 3/16" x 7/16"			A075W6087Z	1
29	Washer, flat, M5 x 10 x 1.0			A075W4011Z	1
30	Clip, self adhesive			A075W6044Z	2
31	Rubber Edging Strip			A085U6080V	0.36m

ELISE

Function Code 17.01 Harnesses, Leads

<u>Dep</u>	<u>Part Description</u>	<u>Remarks</u>	<u>Option</u>	<u>Part Number</u>	<u>Qty</u>
32	'P' Clip			A075W6228F	3
33	Washer, flat, M5 x 10 x 1.0			A075W4011Z	3
34	Pop Rivet, 3/16" x 7/16"			A075W6087Z	3
35	Rubber Edging Strip			A085W6080V	0.11m
36	Cable Tie, harness to H/brake cable			A075W4011Z	2
37	'P' Clip, speaker wiring rear bulkhead			A075W6227F	6
38	Pop Rivet, 3/16" x 7/16"			A075W6087Z	6
39	Washer			A075W4011Z	6
40	Screw, No.6 x 1/2" pozi., lamp wiring to clamshell			A075W5012F	4
41	Spire Nut, No.6, lamp wiring to clamshell			A079W6024F	4
42	'P' Clip, lamp wiring to clamshell			A075W6000Z	4
43	Setscrew, M5 x 16, fuses to ECM plate			A082W5107F	1
44	Washer, flat, M5 x 10 x 1.0, fuses to ECM plate			A075W4011Z	1
45	Pulsert, M5, fuses to ECM plate			A111W6539F	1
46	Setscrew, M4 x 12, DLC fixing			A100M5143F	2
47	Washer, M4 x 9 x 0.8, DLC fixing			A082W4099F	2
48	Rubber Edging Strip, harness protection			A085U6080V	0.50m
49	'P' Clip			A75W6228F	3
50	Clip, harness connectors to panel			A111M6030F	3
51	Cable Tie, harness to rear support strut			A075W6038Z	3
52	Cradle, cable tie, harness to airbox brkt.			A085W6276F	1

ELISE

Function Code: 17.01, Page: 3

Updated 1st December 2014

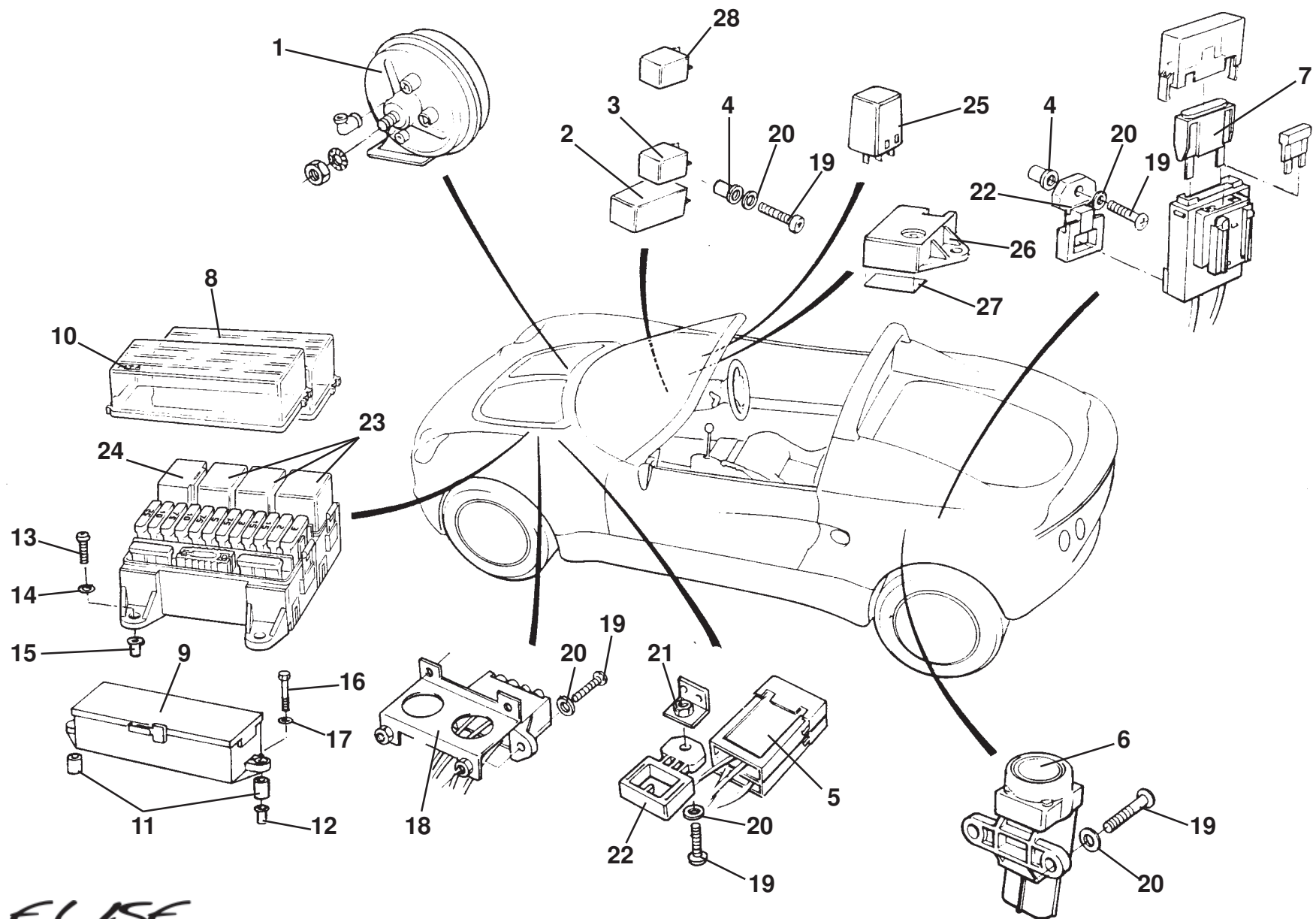
Function Code 17.01 Harnesses, Leads

<u>Dep</u>	<u>Part Description</u>	<u>Remarks</u>	<u>Option</u>	<u>Part Number</u>	<u>Qty</u>
53	Cable Tie, harness to airbox brkt.,			A075W6038Z	1
54	Pop Rivet, 3/16" x 7/16", harness to airbox brkt.			A075W6087Z	1
55	'P' Clip, aerial lead to rear bulkhead			A075W6227F	3
56	Pop Rivet, 3/16" x 7/16", aerial lead to rear bulkhead			A075W6087F	3
57	Washer, flat, M5 x 10 x 1.0, aerial lead to rear bulkhead			A075W4011Z	3
58	'P' Clip, harness to parkbrake microswitch			A075W6228F	1
59	Washer flat, M5 x 10 x 1.0, harness to parkbrake microswitch			A075W4011Z	1
60	'P' Clip, harness to gearchange mech.			A075Q6013Z	1
61	Clip, harness connector to chassis			A111M6030F	2
62	AC Harness, primary	Not illustrated	AC only	B111M0096F	1
63	Harness, AC thermostat bridging link	Not illustrated	AC only	A111M0113F	1
64	Harness, link to ECM (EFi)	Not illustrated, WVTA cars	Sport 160, from VIN: Y0651	A111M0151F	1
65	Jump Harness, ECM power feed	Not illustrated	Sport 160/160	A111M6131F	1
66	Harness, misfire detection module	Not illustrated, See service bulletin 2001/1R	111S	A111M6128S	1
		*VIN: W1941, plus 1920, 1926, 1937, 1938. less 1965, 2002			

ELISE

Function Code: 17.01, Page: 4

Updated 1st December 2014



ELISE
17.03

Updated 24th January 2013

Service Parts List *ELISE*



Function Code 17.03 Horn, Inertia Switch, Modules, Fuses & Relays

<u>Dep</u>	<u>Part Description</u>	<u>Remarks</u>	<u>Option</u>	<u>Part Number</u>	<u>Qty</u>
01	Horn 'Low ' Note			A100M6031F	1
02	Module, wiper delay			A082M6457F	1
03	Module, flasher Unit			A083M6303F	1
04	Pulsert, M5			A111W6539F	2
05	50A Maxi Fuse			A100M6078F	2
06	Inertia switch			A082M6598F	1
07	40A Maxi Fuse			A100M6077F	1
08	Cover, relay station		All models	A111M6077S	1
09	Cover, fusebox		'98 MY on	A111M6115S	1
10	Cover, fusebox		Prior to '98 MY	A111M6077S	1
11	Spacer, fitted to fuse box			A111U0368F	2
12	Rawlnut, M5, fuse box to wheelarch			A075W6074F	2
13	Screw, M6 pozi, relay boxes to wheelarch			A075W5089Z	4
14	Washer flat, M6, relay boxes to wheelarch			A075W4015Z	4
15	Rawlnut, M6, relay boxes to wheelarch			A075W6140F	4
16	Bolt, M5 x 45, fuse box to wheelarch			A082W2106F	2
17	Washer flat, M5, fuse box to wheelarch			A075W4011Z	2
18	Bracket, fuse holder			A111U0168F	1

ELISE

Function Code: 17.03, Page: 1

Updated 24th January 2013

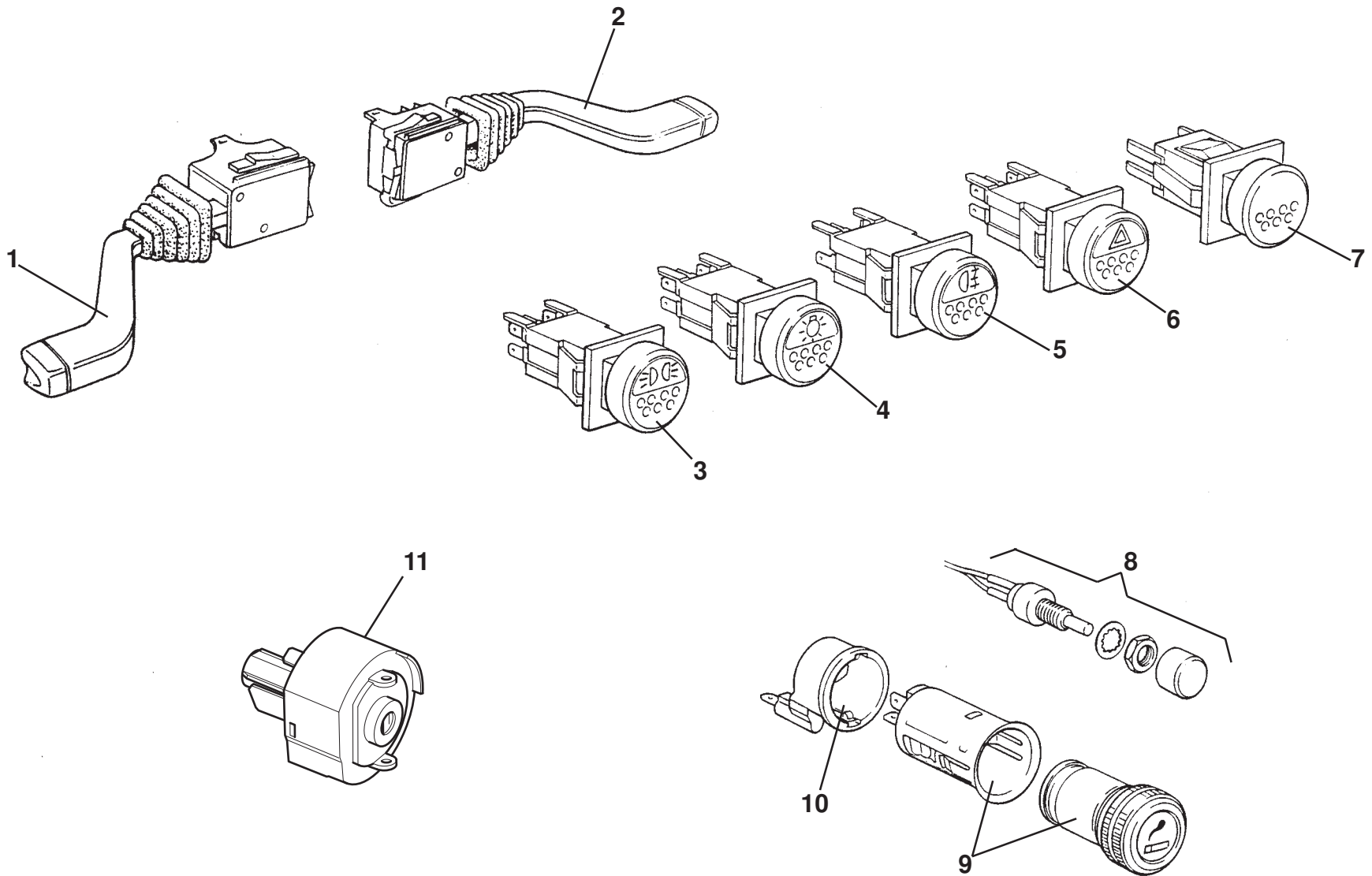
Function Code 17.03 Horn, Inertia Switch, Modules, Fuses & Relays

<u>Dep</u>	<u>Part Description</u>	<u>Remarks</u>	<u>Option</u>	<u>Part Number</u>	<u>Qty</u>
19	Screw, M5 x 16, pan hd. pozi.			A082W5107F	7
20	Washer, flat, M5 x 10 x 1.0			A075W4011Z	7
21	Bracket, fuse holders			A111U0167F	1
22	Plastic Clip, fuse holder retention			A111M6020F	2
23	Relay Single Contact Changeover 30A	Horn, cooling fan, dip beam		C079M6141F	3
24	Relay Double Contact 2 x 15A	Main beam		B082M6182F	1
25	Module, rear fog lamp		A111M0067F R/B	B111M0067F	1
26	Module, seat belt buzzer		Japan, Australia only	A082M4866F	1
27	Double Sided Tape, 0.4 x 12mm, module fix.			A100B6142V	0.1M
28	Relay Single Contact Changeover 30A	Fog lamp default off		C079M6141F	1
29	Blanking Grommet, fuse, ALDL access	LH luggage compartment, not illustrated	Bootbox cars	A111U6061F	2

ELISE

Function Code: 17.03, Page: 2

Updated 24th January 2013



ELISE
17.05

Updated 24th June 2011

Service Parts List *ELISE*



Function Code 17.05 Interior Switches, Auxiliary Power Socket

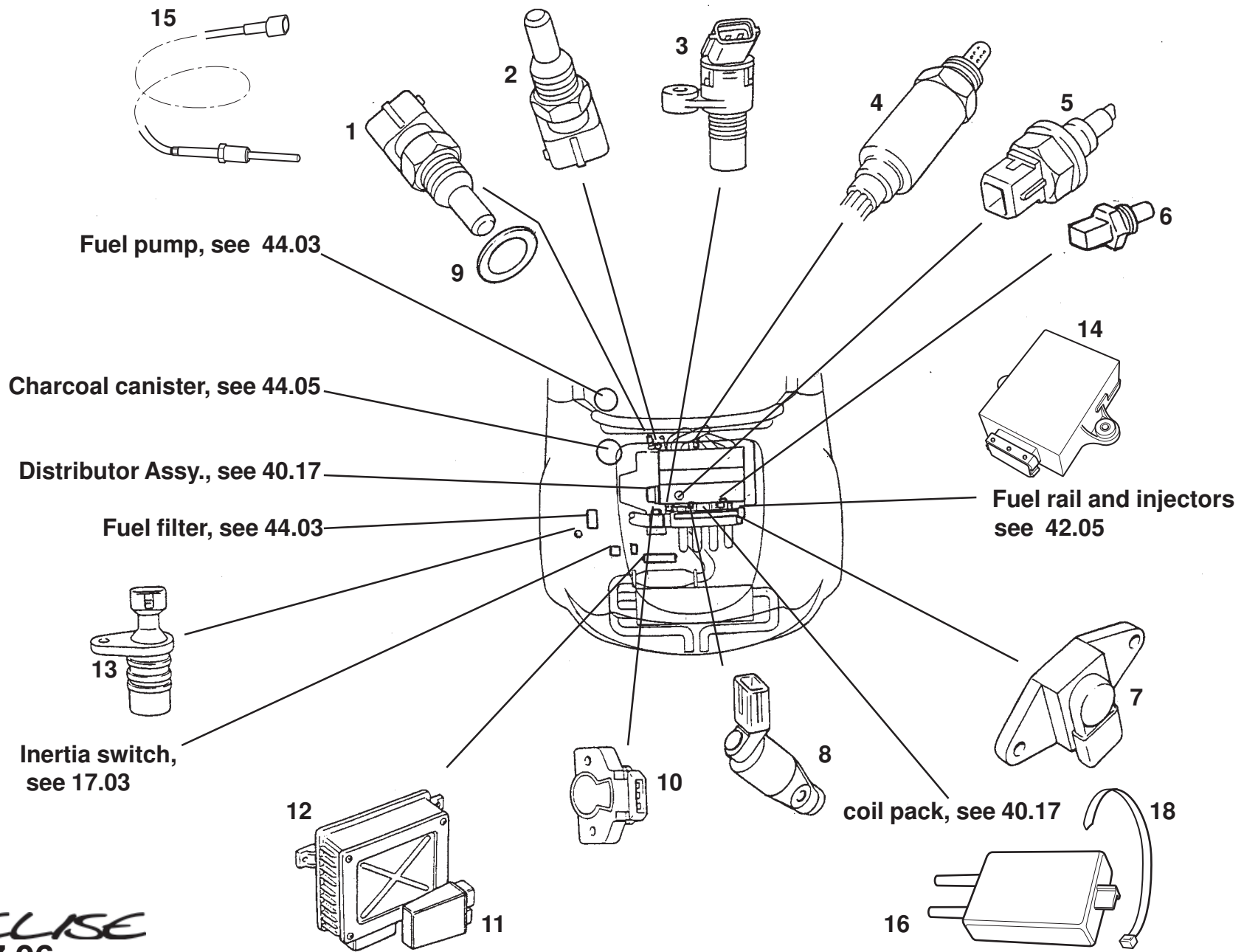
<u>Dep</u>	<u>Part Description</u>	<u>Remarks</u>	<u>Option</u>	<u>Part Number</u>	<u>Qty</u>
01	Column Switch, LH, indicators/dip/flash			A100M6048F	1
02	Column Switch, RH, windscreen wipe/wash			A100M6049F	1
03	Switch, sidelamps			A111M0001F	1
04	Switch, master lighting			A111M0002F	1
05	Switch, rear fog			A111M6015F	1
06	Switch, hazard			A111M6016F	1
07	Switch, blank			A111M6000F	1
08	Switch, panel light dimmer / trip reset			A111M6060S	1
09	Cigar Lighter			B100M6041F	1
10	Bezel, cigar lighter, orange			B100M6052F	1
11	Ignition Switch	Part of upper steering column		A111M6108S	1

ELISE

Function Code: 17.05, Page: 1

Updated 24th June 2011

ELISE
17.06



Updated 24th January 2013

Service Parts List *ELISE*



Function Code 17.06 Engine Management & Sensors

<u>Dep</u>	<u>Part Description</u>	<u>Remarks</u>	<u>Option</u>	<u>Part Number</u>	<u>Qty</u>
01	Engine Coolant Temperature Sensor (horizontal)	Brown housing		A111E6046S	1
02	Water Temperature Gauge Sensor (vertical)	Blue housing		A111E6047S	1
03	Crankshaft Position Sensor			A111E6063S	1
04	Oxygen Sensor (O2 sensor)			A111E6059S	1
05	Intake Air Temperature (IAT) Sensor	Green housing (use item 09)		A111E6061S	1
06	Oil Temperature Sensor	VVC engine, hydraulic control unit	111S	A111E6377S	1
07	Manifold Absolute Pressure (MAP) Sensor	VVC /Lotus 160 engines	111S, Sport 160, from VIN: Y0651	A111E6372S	1
08	Cam Angle Sensor	VVC engine	111S	A111E6371S	1
09	Washer, coolant sensor			A111E6058S	1
10	Throttle Position Sensor			A111E6064S	1
11	Relay Module (Multi Function Unit)			A111M6024F	1
12	Electronic Control Module (ECM)			C111E6013F	1
12a	Electronic Control Module (ECM)	VVC engine	111S	A111E6223F	1
12b	Electronic Control Module (ECM)	190 VHPD engine	MOTORSPORT	A111E6212S	1
12c	Electronic Control Module (Gems ECM)	Lotus Performance 160, SVA	Sport 160, prior to VIN: Y0651	A111E0046R	1
12d	Electronic Control Module (EFi ECM)	Lotus Performance 160, WVTA	Sport 160, from VIN: Y0651	A111E0050F	1
12e	Electronic Control Module (EFi ECM)	Improved driveability upgrade	All Sport 160	A111E0083S	1
13	Vehicle Speed Sensor		A910E6939F R/B	A918E6080F	1

ELISE

Function Code: 17.06, Page: 1

Updated 24th January 2013

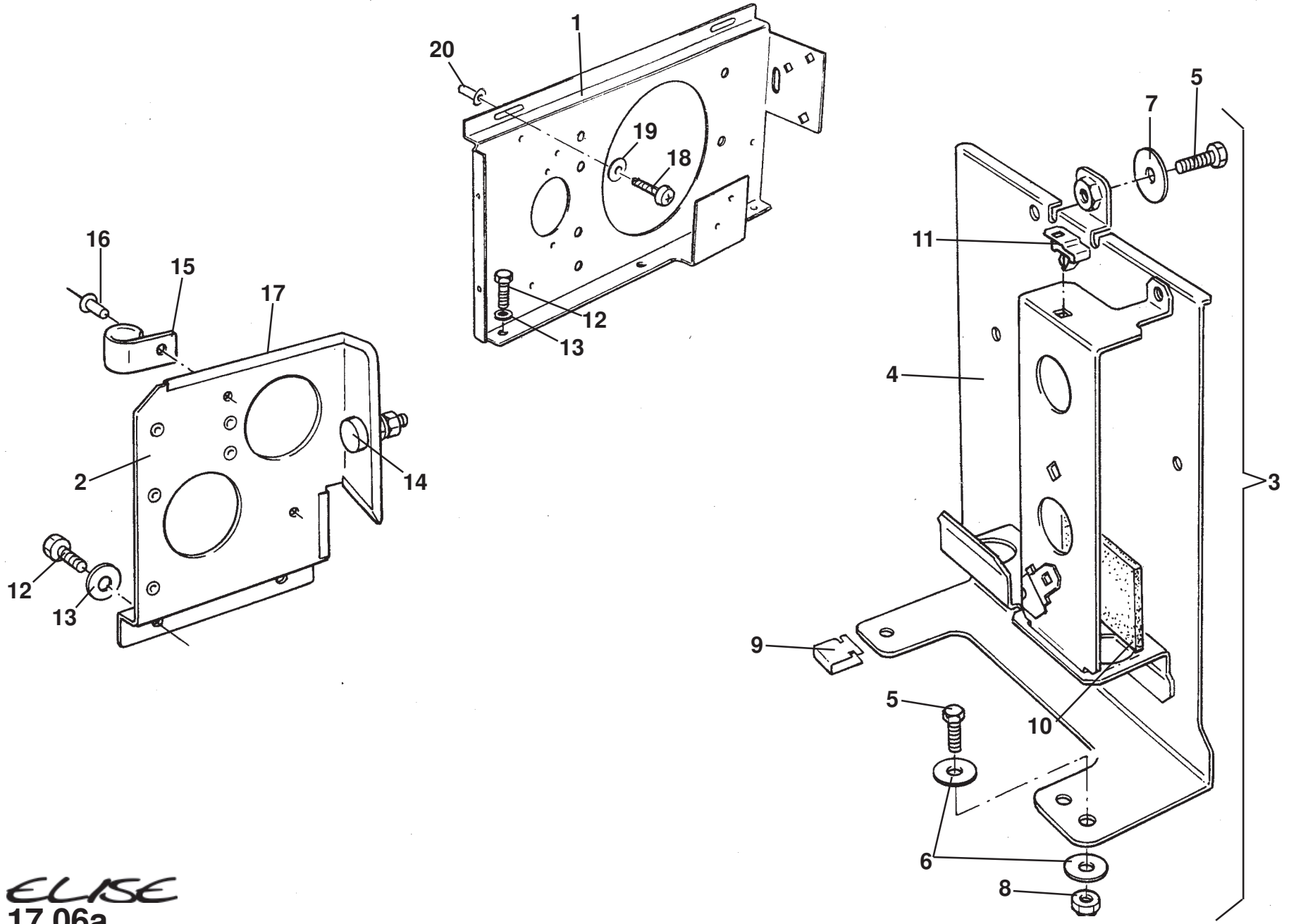
Function Code 17.06 Engine Management & Sensors

<u>Dep</u>	<u>Part Description</u>	<u>Remarks</u>	<u>Option</u>	<u>Part Number</u>	<u>Qty</u>
14	Misfire Detection Module	See service bulletin 2001/1R	111S	A111M6133S	1
15	Catalyst Overheat Sensor		Japan only	A111E6062S	1
16	Liquid Trap, MAP sensor feed	Between manifold and ECM	Standard cars	A111L6006F	1
17	Bracket, liquid trap to clamshell	Not Illustrated		A111L0028F	1
18	Cable Tie, liquid trap to bracket			A075W6038Z	1

ELISE

Function Code: 17.06, Page: 2

Updated 24th January 2013



ELISE
17.06a

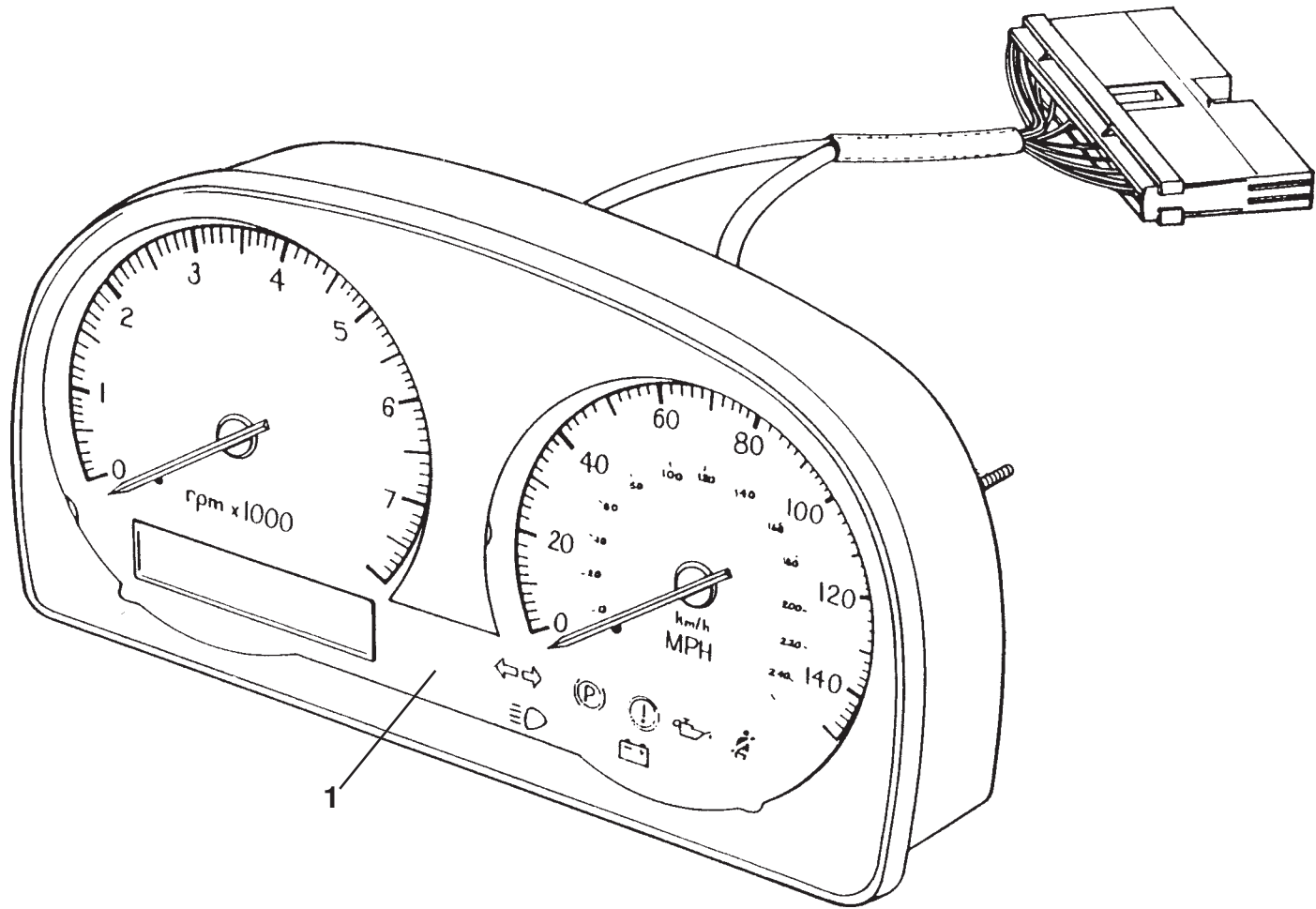
Function Code 17.06a ECM/Electrics Mounting Brackets

<u>Dep</u>	<u>Part Description</u>	<u>Remarks</u>	<u>Option</u>	<u>Part Number</u>	<u>Qty</u>
01	ECM/Electrics Mounting Bracket	Mounted on LH longeron	Prior to bootbox	D111M0026F	1
02	Electrics Mounting Bracket	Mounted on LH longeron	Bootbox cars, all models	A111M0111F	1
03	ECM Mounting Bracket Kit	Comprises: items 4 to 11	111S, Sport 160	A111M0147J	1
04	ECM Mounting Bracket Assembly	Mounted on boot bulkhead	111S, Sport 160	A111M0139J	1
05	Setscrew, M6 x 16, hex. hd.	3 off for subframes with weldnuts		A075W1028Z	2
06	Washer, flat, M6			A075W4015Z	2
07	Washer, flat, M6 x 18 x 1.0			B082W4018F	1
08	Nyloc Nut, M6	For subframes without weldnuts		A075W3009Z	1
09	Edge Clip, bracket to subframe	For subframes without weldnuts		A111W6631F	1
10	Foam Pad, connector mounting plate			A111M0140F	1
11	Connector Locating Clip			A111M6030F	2
12	Setscrew, M6 x 16, hex. hd., bracket to longeron	3 off for item: 1		A075W1028Z	2
13	Washer, flat, M6	3 off for item: 1		A075W4015Z	2
14	Binding Post			A089M6033F	1
15	'P' Clip, harness retention			A075W6228F	2
16	Pop Rivet, 'P' clip fix.			A100W6397F	2
17	Edging Strip, harness protection			A085V6080V	As req.
18	Screw, M5 x 16, pan hd. pozi., plate to clamshell		Prior to bootbox	A082W5107F	2
19	Washer, flat, M5 x 10, plate to clamshell		Prior to bootbox	A075W4011Z	2
20	Pulsert, M5, plate to clamshell	Fitted to clamshell LH shear panel	Prior to bootbox	A111W6539F	2

ELISE

Function Code: 17.06a, Page: 1

Updated 6th November 2010

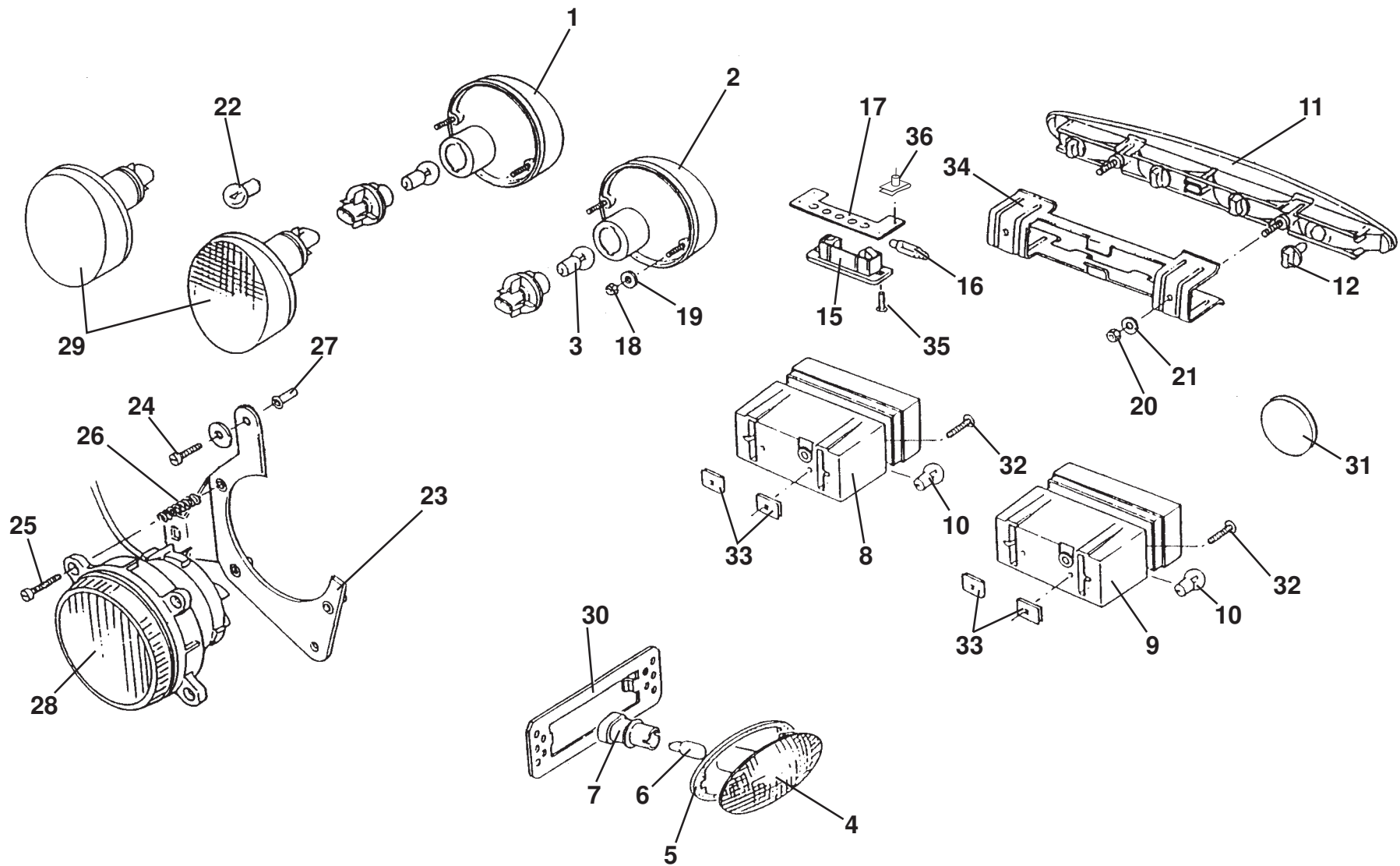


ELISE
17.07

Function Code 17.07 Instruments, Tell Tales, & Displays

<u>Dep</u>	<u>Part Description</u>	<u>Remarks</u>	<u>Option</u>	<u>Part Number</u>	<u>Qty</u>
01	Instrument Pack, MPH			D111N0001F	1
02	Instrument Pack, Km/h			D111N0002F	1

ELISE



ELISE

17.11

Updated 24th January 2013

Service Parts List *ELISE*



Function Code 17.11 Exterior Lamps, Except Headlamps

<u>Dep</u>	<u>Part Description</u>	<u>Remarks</u>	<u>Option</u>	<u>Part Number</u>	<u>Qty</u>
01	Lamp, indicator rear, amber lens			A111M0010F	2
02	Lamp, stop/tail			A111M0009F	2
03	Bulb 12v 5/21w	Stop / tail lamps		A036M6331F	2
04	Lens, side repeater			A111M6048F	2
05	Gasket, side repeater			A111U0074F	2
06	Bulb 12v 5w, side repeater			A082M6342F	2
07	Bulb Holder, side repeater			A111M6009F	2
08	Lamp, rear fog (high intensity)			A111M6004F	1
09	Lamp, reverse		Malaysia spec is two (2) lamps	A111M6003F	1
10	Bulb, 12v 21w	Fog / reverse lamp		A111M6012F	2
11	Lamp, CHMSL			A111M6006F	1
12	Bulb 12v 5w, CHMSL			A082M6342F	4
13	Bracket, CMHSL			A111M6034F	1
15	Lamp, license plate			A111M6002F	2
16	Bulb 12v 5w	License plate lamp		A083M6292F	2
17	Mounting Plate, license plate lamp	Bonded into body		A111M0048F	2
18	Nut, M4 nyloc	Stop / tail & indicator lamps		A075W3019F	12
19	Washer, flat, M4	Stop / tail & indicator lamps		A082W4099F	12

ELISE

Function Code: 17.11, Page: 1

Updated 24th January 2013

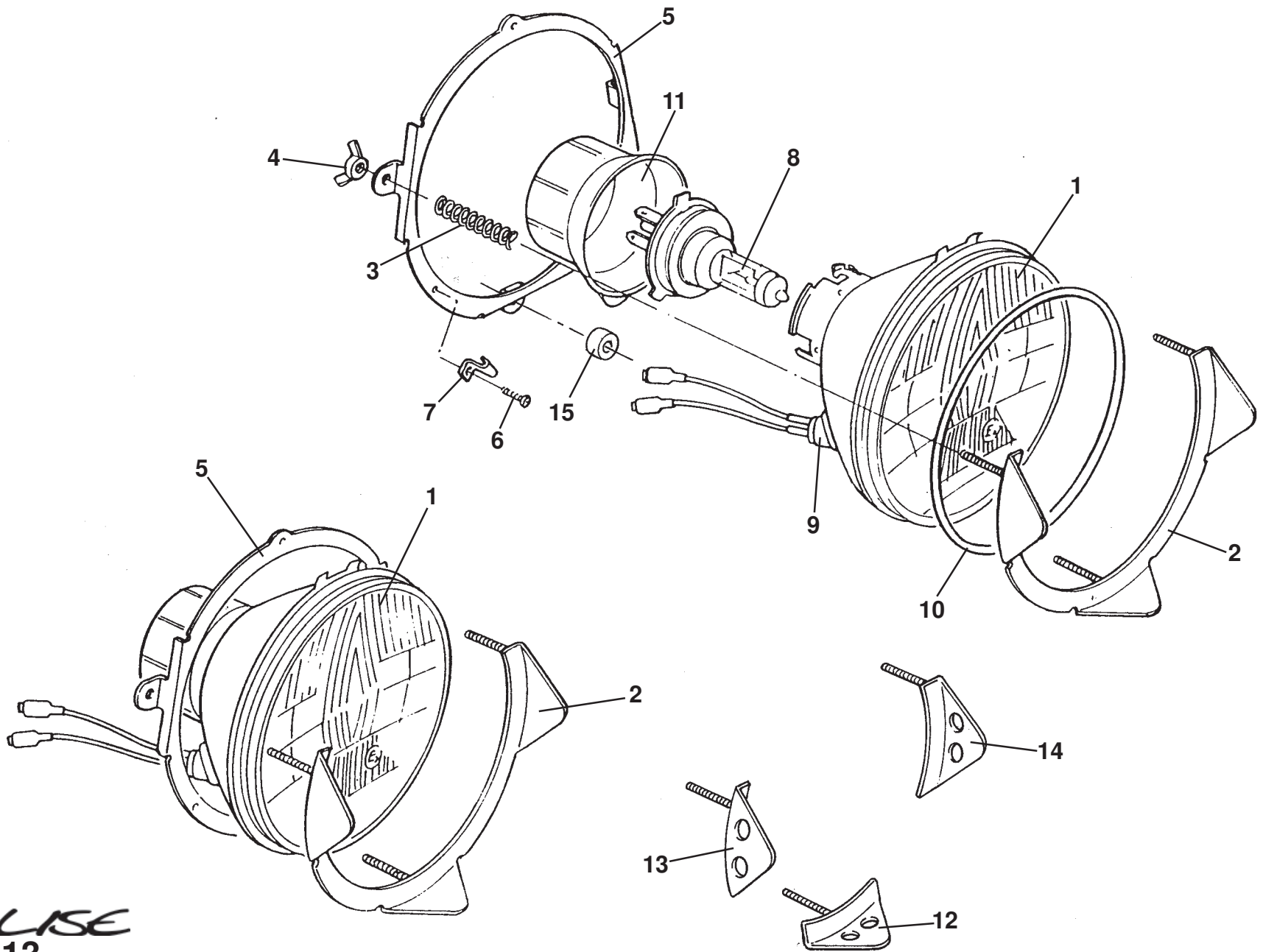
Function Code 17.11 Exterior Lamps, Except Headlamps

<u>Dep</u>	<u>Part Description</u>	<u>Remarks</u>	<u>Option</u>	<u>Part Number</u>	<u>Qty</u>
20	Nut, M8, nyloc	CMHSL mount		A075W3010Z	2
21	Washer, M8	CMHSL mount		A075W4020Z	2
22	Bulb 12v 21w, clear	Indicators		A036M6329F	4
22a	Bulb 12v 21w, amber	Front indicators, smoke lens	111S	A111M6091S	2
23	Plate, driving lamp mounting, LH	Commonised with 111S	B111B0051F R/B	C111B0051F	1
23a	Plate, driving lamp mounting, RH	Commonised with 111S, not illustrated	B111B0050F R/B	C111B0050F	1
24	Screw, M8 x 25, cheese hd., plate to intake			A082W6530F	6
25	Screw, M8 x 40, cheese hd., driving lamp to plate			A082W6531F	6
26	Spring, driving lamp mounting			A111B6004F	6
27	Rivnut, M8, driving lamp to intake			A075W6155F	6
28	Driving Lamp			A111M6008F	2
29	Lamp, indicator front, amber lens			A111M0008F	2
29a	Lamp, indicator front, smoke lens		111S	A111M0121F	2
30	Mounting Bracket, side repeater	Bonded into body		A111U0073F	2
31	Reflector			A111M6005F	2
32	Screw, M4 x 12, pan hd., lamp fix.			A100W5143F	4
33	Spire Nut, M4			A100W6449F	4
34	Bracket, CHMSL fixing			A111M6034F	1
35	Screw No. 6 x 1 flg pozi, license plate lamp			A082W5022F	4
36	Spire Nut No.6			A075W6014Z	4

ELISE

Function Code: 17.11, Page: 2

Updated 24th January 2013



ELISE
17.13

Service Parts List *ELISE*



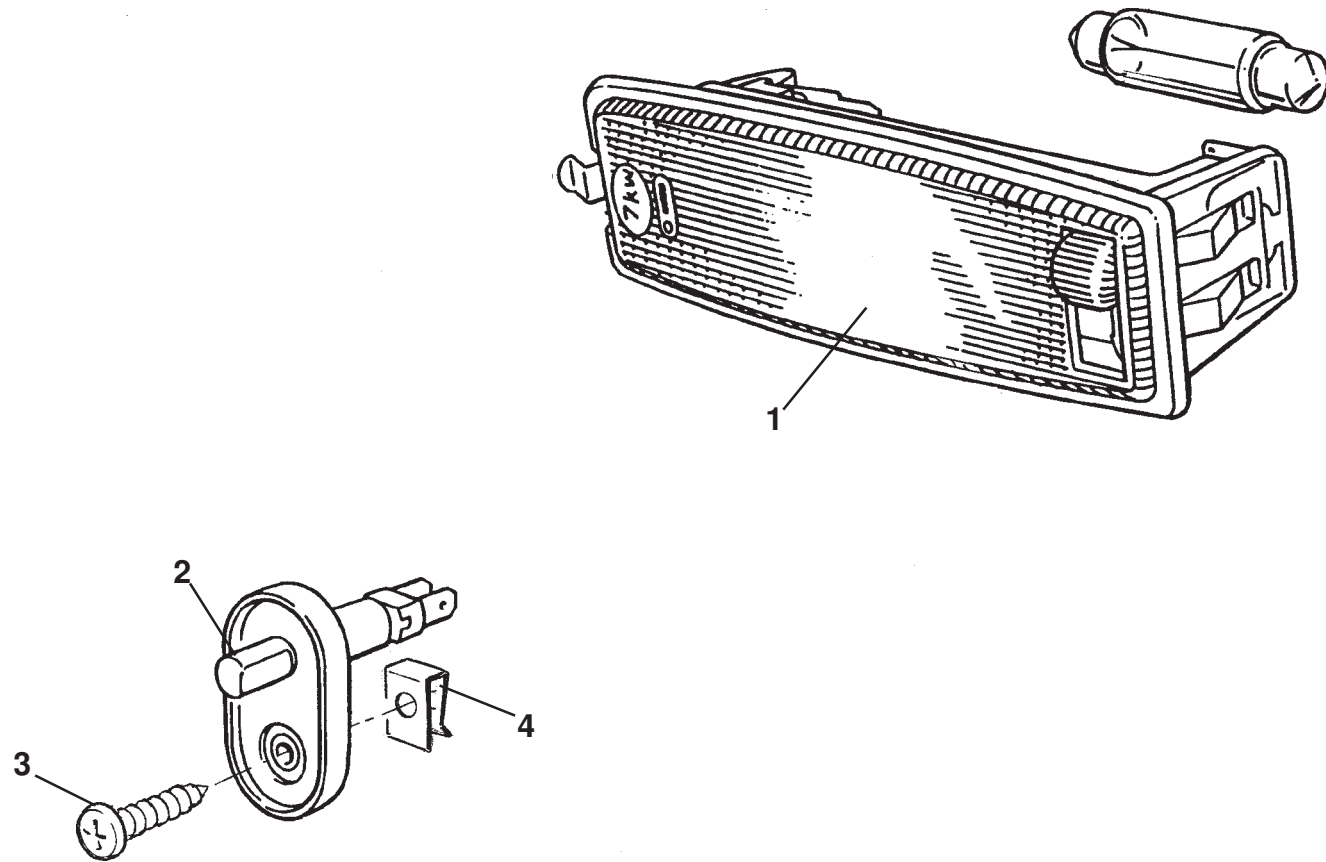
Function Code 17.13 Headlamps

<u>Dep</u>	<u>Part Description</u>	<u>Remarks</u>	<u>Option</u>	<u>Part Number</u>	<u>Qty</u>
01	Headlamp, RHD			A085M6215F	2
01a	Headlamp, LHD	Assembly with side lamp holder		A082M6320F	2
02	Bracket, headlamp mounting	Bonded to clamshell		A111B0052F	2
03	Spring, plate to studs			A111B6005F	6
04	Wingnut M5 (Nylon)			A111W3146F	6
05	Plate, headlamp adjustment			A111B0486F	2
06	Screw, clip to plate			A075W5011Z	6
07	Clip, headlamp retainer			A111B0054F	6
08	Bulb, headlamp 12v 55/60w			A075M6126Z	2
09	Bulb, sidelamp 12v 5w			A111M6010F	2
10	Seal, headlamp	Used with headlamp covers	111S, Sport 135, 160, 190	A111U0166K	2
11	Rubber Cover, headlamp connections			A111M6036F	2
12	Bracket, headlamp mounting, lower	Used with headlamp covers, bonded to clamshell	111S, Sport 135, 160, 190	A111B0468F	2
13	Bracket, headlamp mounting, RH	Used with headlamp covers, bonded to clamshell	111S, Sport 135, 160, 190	A111B0478F	2
14	Bracket, headlamp mounting, LH	Used with headlamp covers, bonded to clamshell	111S, Sport 135, 160, 190	A111B0479F	2
15	Spacer, nylon	Lower fixing only		A111U6035F	As req.

ELISE

Function Code: 17.13, Page: 1

Updated 2nd February 2015



ELISE
17.17

Updated 27th September 2012

Service Parts List *ELISE*



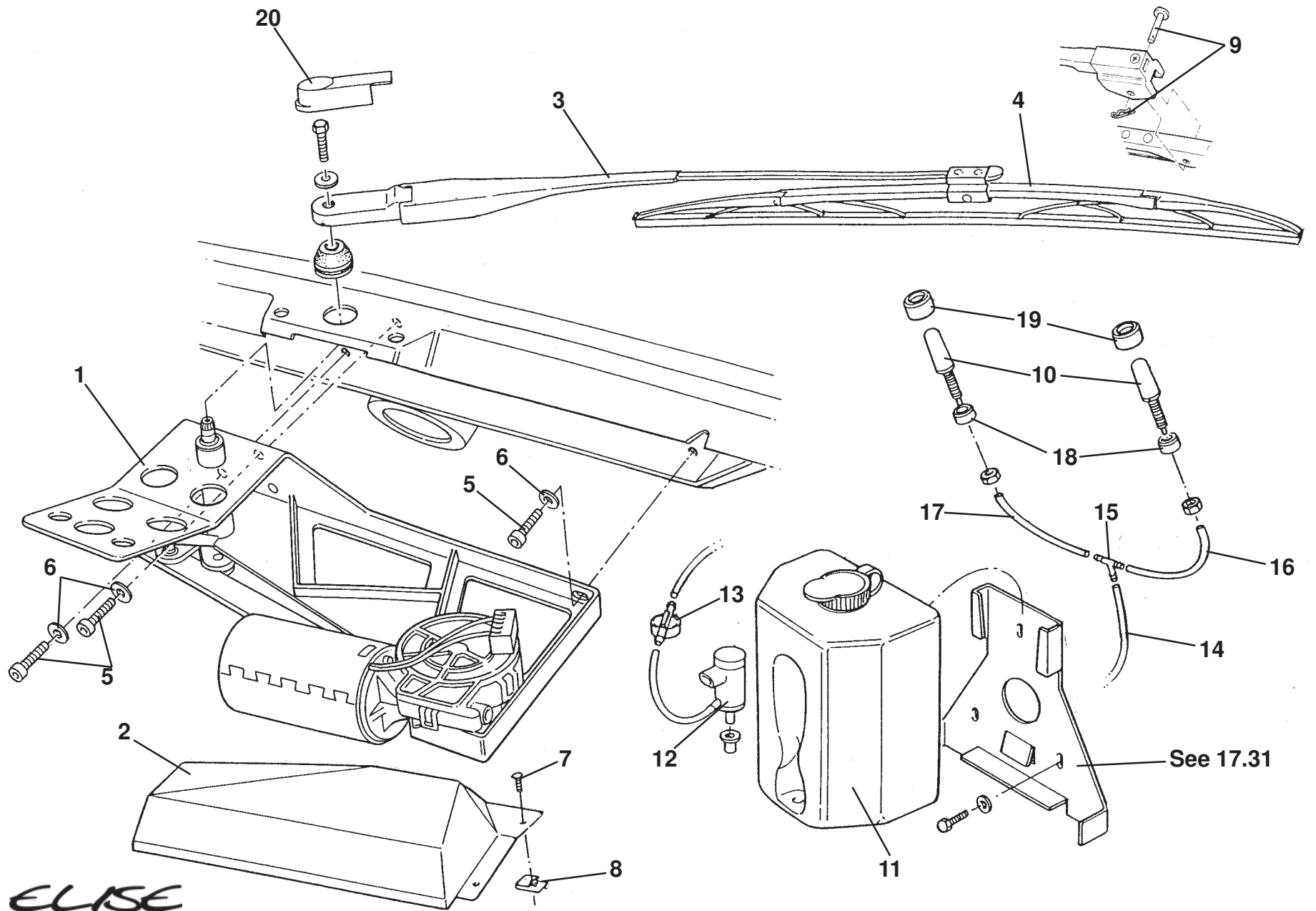
Function Code 17.17 Interior Lamps

<u>Dep</u>	<u>Part Description</u>	<u>Remarks</u>	<u>Option</u>	<u>Part Number</u>	<u>Qty</u>
01	Interior Lamp			A111M6019F	1
02	Switch, interior lamp, door activated	Passenger side for intrusion alarm, see 17.33	Driver's side	A111M6035F	1
03	Screw No.6 x 3/4 flange hd., pozi.			A075W5028Z	1
04	Spire Nut, No.6			A111W6588F	1

ELISE

Function Code: 17.17, Page: 1

Updated 27th September 2012



ELISE
17.21

See 17.31

Service Parts List *ELISE*



Function Code 17.21 Windscreen Wiper Motor, Wipers & Washers

<u>Dep</u>	<u>Part Description</u>	<u>Remarks</u>	<u>Option</u>	<u>Part Number</u>	<u>Qty</u>
01	Wiper Drive Assembly, RHD	If unavalible order 01b		C111M0034F	1
01a	Wiper Drive Assembly, LHD	If unavalible order 01c		B111M0033F	1
01b	Wiper Drive Assembly and fitting kit, RHD	Kit to replace wiper drive with fabricated bracket		A117M0104S	1
01c	Wiper Drive Assembly and fitting kit, LHD	Kit to replace wiper drive with fabricated bracket		A117M0103S	1
02	Cover, wiper motor, RHD			A111U0172K	1
02a	Cover, wiper motor, LHD			A111U0173K	1
03	Wiper Arm Assembly			C111M0049F	1
04	Wiper Blade Assembly, 24"		A111M6031F R/B	A111M6125F	1
05	Screw, M8 x 20, cap hd., bracket to scuttle			A111W7141F	3
06	Washer, M8, spring S/C light			A075W4036Z	3
07	Screw, No.10 x 1/2", pozi., cover fix.			A075W5040Z	2
08	Spire Nut No. 8, cover, wiper motor fix.			A075W6016Z	2
09	Pin and Clip Set, wiper blade to arm			A111M6107S	1
10	Windscreen Washer Jet			A082M6369F	2
11	Washer Bottle and Pump Assembly		A111M6029F R/B	A111M6066F	1
12	Washer Pump			A111M6047S	1
13	Non Return Valve, washer fluid			A100M6062H	1

ELISE

Function Code: 17.21, Page: 1

Updated 2nd December 2019

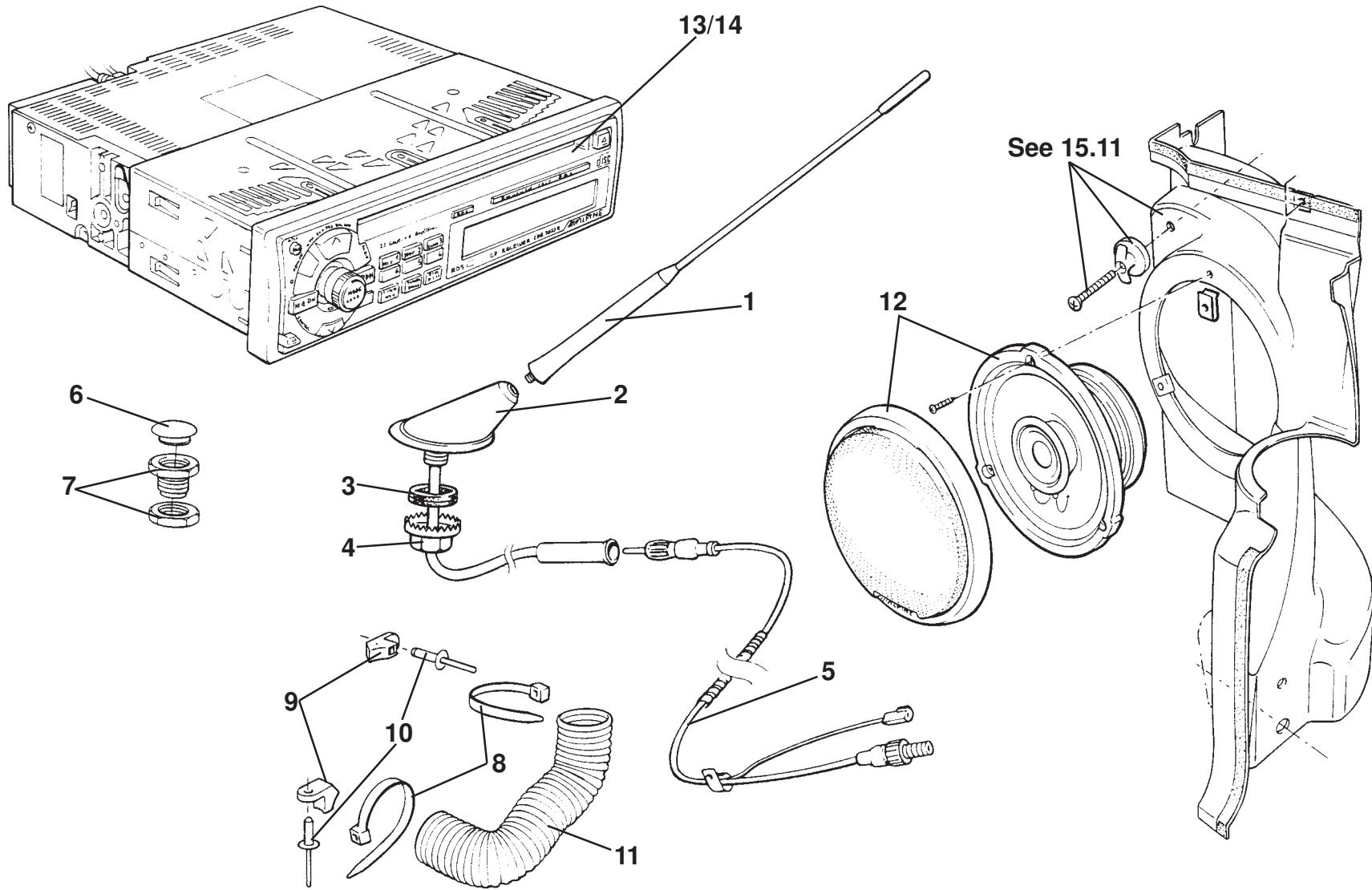
Function Code 17.21 Windscreen Wiper Motor, Wipers & Washers

<u>Dep</u>	<u>Part Description</u>	<u>Remarks</u>	<u>Option</u>	<u>Part Number</u>	<u>Qty</u>
14	Hose, bottle to 'T' piece			B111M0054K	1
15	'T' piece, washers			A111M6045K	1
16	Tube, 'T' piece to jet		B111M0056K	A050M6164V	As req.
17	Tube, 'T' piece to jet		B111M0055K	A050M6164V	As req.
18	Spacer, washer jet			A111M6046F	2
19	Sleeve, washer jet	Bonded over Jet & Spacer		A111M0065F	1
20	Pivot Cover, wiper arm			A082M6380F	1

ELISE

Function Code: 17.21, Page: 2

Updated 2nd December 2019



ELISE
 17.27

Service Parts List *ELISE*



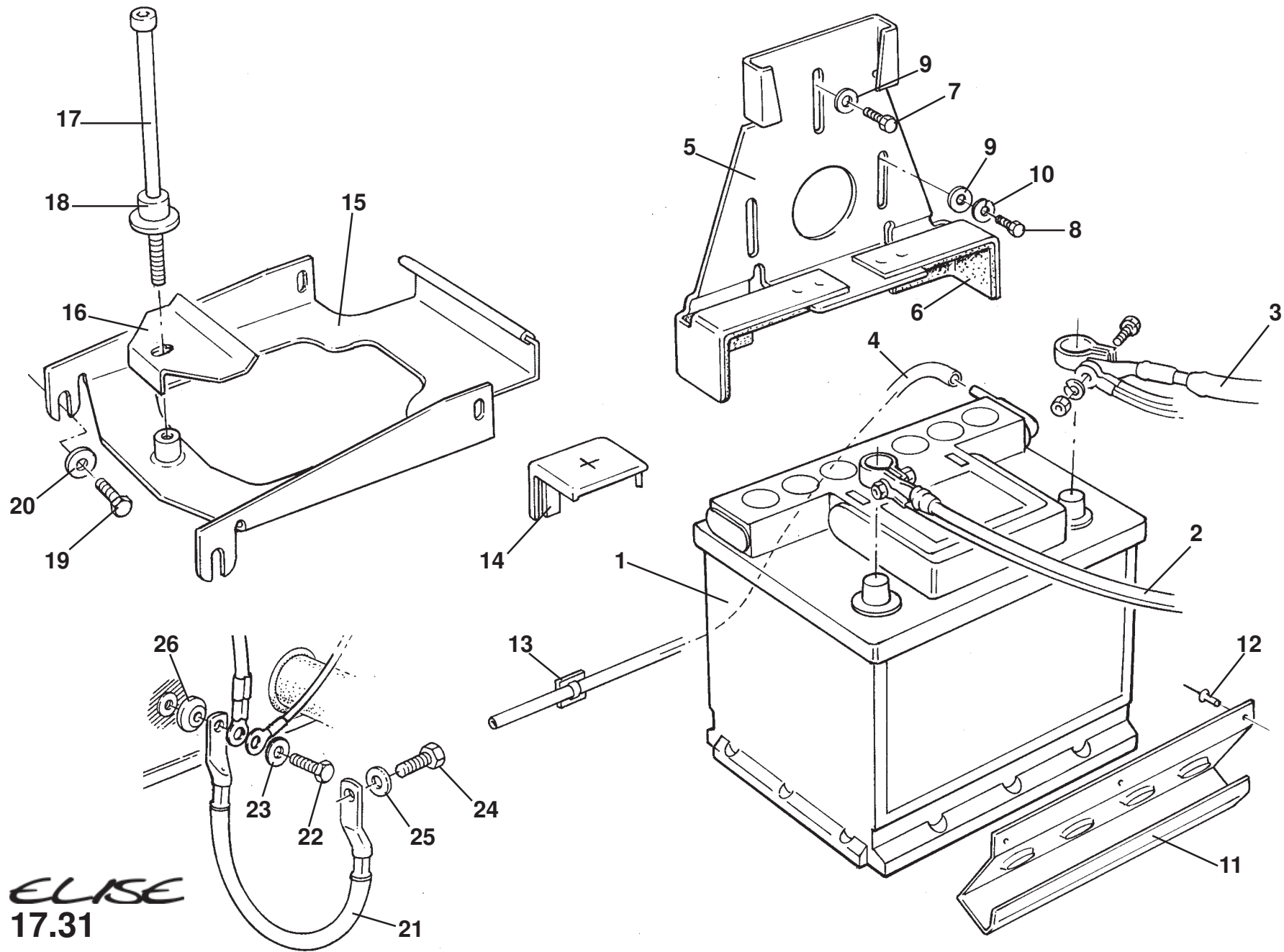
Function Code 17.27 In Car Entertainment

<u>Dep</u>	<u>Part Description</u>	<u>Remarks</u>	<u>Option</u>	<u>Part Number</u>	<u>Qty</u>
01	Aerial Mast			A082M6533F	1
02	Aerial Base			A082M6534F	1
03	Rubber Washer, mounting nut			A111M6033F	1
04	Nut, aerial base to engine cover			A082M6555F	1
05	Cable, aerial co-axial extension		A111M0024F R/B	B111M0024F	1
06	Blanking Plug	When aerial not fitted		A111B6037F	1
07	Nut, blanking plug	When aerial not fitted		A111B6038F	1
08	Tie Wrap, aerial lead heatshield			A075W6038Z	2
09	Cradle, tie wrap, aerial co-ax. heatshield			A085W6276F	2
10	Pop Rivet, tie wrap cradle retention			A085W6259Z	2
11	Heatshield, aerial lead			A082H4077V	1
12	Speaker Kit, Alpine SPE 1620			A111M6052F	1
13	Radio/CD Player			A082M6631F	1
14	Radio/Cassette			A082M6627F	1

ELISE

Function Code: 17.27, Page: 1

Updated 3rd May 2016



ELISE
17.31

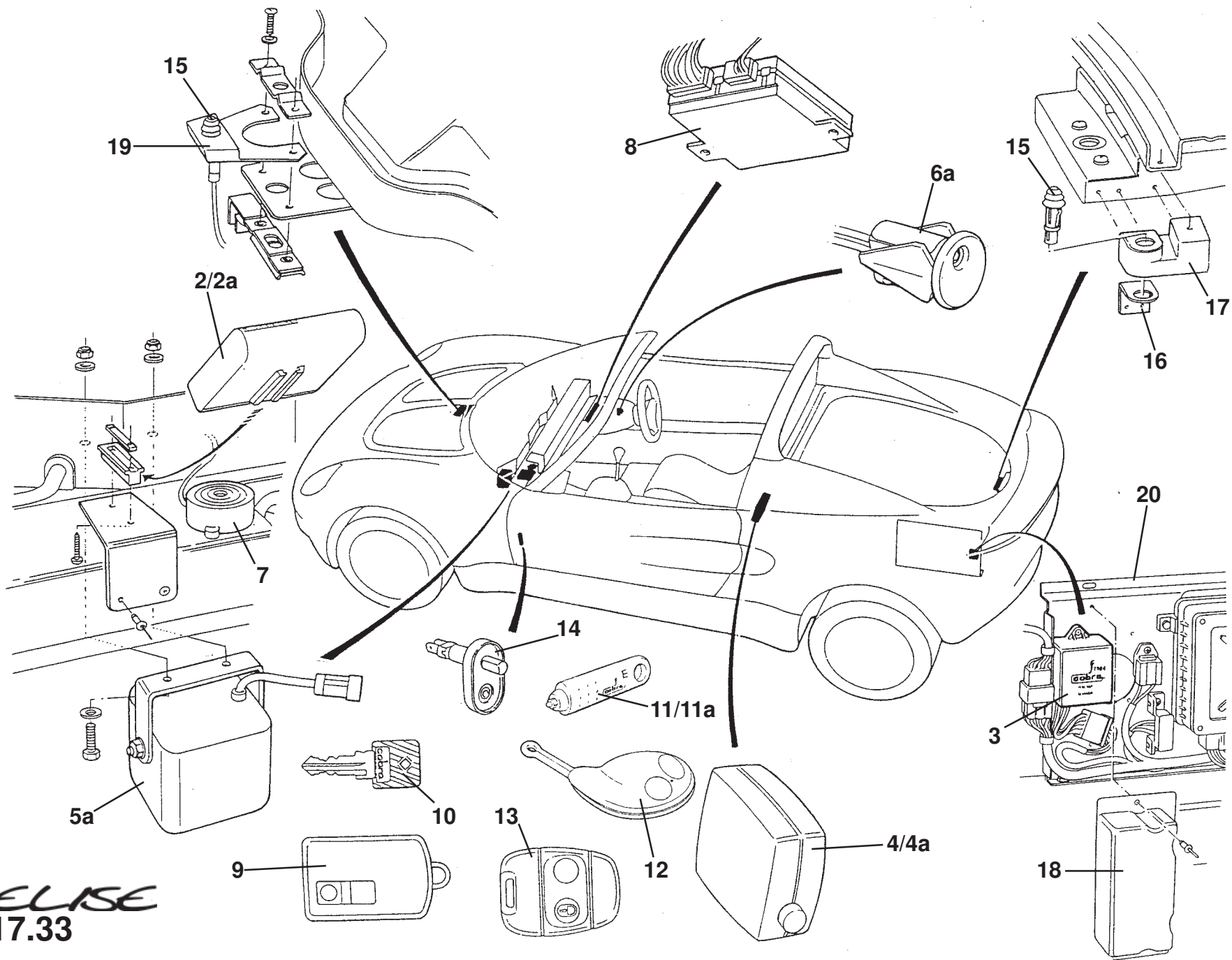
Function Code 17.31 Battery, Clamps, & Cables

<u>Dep</u>	<u>Part Description</u>	<u>Remarks</u>	<u>Option</u>	<u>Part Number</u>	<u>Qty</u>
01	Standard Battery, Tungstone 063, RHD		A111M6007F R/B	B111M0007F	1
01a	Standard Battery, Tungstone 063, LHD		A111M6007F R/B	A111M6120F	1
01b	Competition Battery		MOTORSPORT	A111M6116S	1
01c	Battery Master switch	Not illustrated	MOTORSPORT	A111M6081S	2
01d	Battery Cover	Not illustrated	MOTORSPORT	A111M0107K	1
02	Battery Cable, VE negative, front, RHD			A111M0019F	1
02a	Battery Cable, VE negative, front, LHD			A111M0015F	1
02b	Battery Cable, VE negative, front, RHD		AC cars only	A111M0089F	1
03	Battery Cable, VE positive	Incl. maxi fuse, see S/B 1997/06		B111M0014F	1
04	Vent, battery fumes			A111M0104K	1
05	Battery Clamp/ Washer Bottle Bracket		D111M0025F R/B	E111M0025F	1
06	Foam Seal, battery clamp			A082U6067F	400mm
07	Setscrew, M6 x 16, hex. thin hd., battery clamp upper fx.			A075W1028Z	1
08	Setscrew, M6 x 16, hex. hd., battery clamp to chassis			A075W1028Z	2
09	Washer, flat, M6 x 18 , battery clamp to chassis			B082W4018F	3
10	Washer, spring, M6, battery clamp to chassis			A075W4035Z	2
11	Locating Bracket			A111M0032F	1
12	Pop Rivet, bracket to chassis			A075W6087Z	1
13	Clip, self adhesive, pipe securing			A111M6079F	1
14	Protective Cover, positive terminal			A111M6079F	1
15	Battery Tray	Cars built in 2000	AC/heater cars	A111M0155F	1

ELISE

Function Code 17.31 Battery, Clamps, & Cables

<u>Dep</u>	<u>Part Description</u>	<u>Remarks</u>	<u>Option</u>	<u>Part Number</u>	<u>Qty</u>
15a	Battery Tray	Malaysia spec. cars	AC only cars	B111M0079F	1
16	Battery Clamp Plate	Cars built in 2000	AC/ heater cars	A111M0161F	1
17	Clamp Bolt, M8 x 100, cap hd., battery to tray	Cars built in 2000	AC/heater cars	A111M6132F	1
17a	Clamp Bolt Assembly, battery to tray	Malaysia spec. cars	AC cars only	B111M0094J	2
18	Clamp Bolt Shoulder	Cars built in 2000	AC/heater cars	B111M0095F	1
19	Setscrew, M6 x 20, hex. hd., battery tray to chassis		AC cars only	A111W1155Z	8
20	Washer, flat, M 6 x 12 .1 x 1.4		AC cars only	A075W4013Z	8
21	Cable, chassis to gearbox			A111M0023F	1
22	Screw, M8 x 20, hex hd., cable to chassis	Front & rear earth points		A075W2038Z	2
23	Washer, flat, M8 x 16.6 x 1.4, cable to chassis	Front & rear earth points		A075W4020Z	2
24	Bolt, M10 x 20, hex. hd., cable to engine			A075W1079F	1
25	Washer, flat, M10 x 20.5 x 1.8, cable to engine			A075W4024Z	1
26	Cup Washer, cable to earth point	Front & rear earth points		A111M0039F	2
27	Battery Isolator Switch Kit	Not illustrated	Prior to revised Harness MOTORSPORT	A111M0128S	1
28	Battery Isolator Switch Kit	Not illustrated	With revised Harness MOTORSPORT	A111M0129S	1
29	Battery Clamp Bracket Assembly	Not illustrated	MOTORSPORT	A111M0076S	1
30	Battery Locator Bracket	Not illustrated	MOTORSPORT	A111M0077S	1



ELISE
17.33

Service Parts List *ELISE*



Function Code 17.33 Security Alarm System, Parking Sensors & Camera

<u>Dep</u>	<u>Part Description</u>	<u>Remarks</u>	<u>Option</u>	<u>Part Number</u>	<u>Qty</u>
01	Cobra Alarm Kit, 6019HF	Items: 2, 3, 4, 5, 6, 7, 11, 21	Up to VIN: 1946-excl.1937/8	A111M0053F	1
01a	Cobra Alarm Kit, 6422HF	Items: 2a, 4a, 5a, 6a, 11a, 21a	From VIN: 1947-incl.1937/8	A111M0098F	1
02	Alarm Controller, Cobra 6019, with keys/touch keys	Needs matching to immobiliser	Up to VIN: 1946-excl.1937/8	A111M6041S	1
02a	Alarm Controller, Cobra 6422, with keys/touch keys	Includes matched immobiliser	From VIN: 1947-incl.1937/8	A111M6119S	1
03	Immobiliser Module, Cobra 6019	Controller switches need matching to immobiliser	Up to VIN: 1946-excl.1937/8	A111M6043S	1
04	Microwave Sensor, Cobra 6019		Up to VIN: 1946-excl.1937/8	A111M6044S	1
04a	Microwave Sensor, Cobra 6422		From VIN: 1947-incl.1937/8	A111M6099S	1
05	Siren Unit, Cobra 6019, includes override switch	Not illustrated	Up to VIN: 1946-excl.1937/8	A111M6042S	1
05a	Siren Unit, Cobra 6422		From VIN: 1947-incl.1937/8	A111M6098S	1
06	Touch Key Receptacle, Cobra 6019	Not illustrated	Up to VIN: 1946-excl.1937/8	A111M6061S	1
06a	Touch Key Receptacle, Cobra 6422		From VIN: 1947-incl.1937/8	A111M6102S	1
07	Buzzer Unit, Cobra 6019		Up to VIN: 1946-excl.1937/8	A111M6062S	1
08	Alarm Module, Lucas 5AS 433Mhz Germany	Use transmitter key, item 13 (Rover YWC 000980)	Without Cobra system	A111M0046K	1
08a	Alarm Module, Lucas 5AS 433Mhz UK/ Europe	Use transmitter key, item 13 (Rover YWC 000980)	Without Cobra system	A111M0043K	1
08b	Alarm Module, Lucas 5AS 433Mhz UK/ Europe	Use transmitter key, item 13	With Cobra system	A111M0074K	1
08c	Alarm Module, Lucas 5AS 315Mhz Japan	Use transmitter key, item 13a	Without Cobra system	A111M0047K	1
08d	Alarm Module, Lucas 5AS 433Mhz Switzerland	Use transmitter key, item 13	Without Cobra system	A111M0045K	1

ELISE

Function Code: 17.33, Page: 1

Updated 3rd November 2014

Function Code 17.33 Security Alarm System, Parking Sensors & Camera

<u>Dep</u>	<u>Part Description</u>	<u>Remarks</u>	<u>Option</u>	<u>Part Number</u>	<u>Qty</u>
08e	Alarm Module, Lucas 5AS 433Mhz Holland	Use transmitter key, item 13	Without Cobra system	A111M0044K	1
09	Transmitter Key, Cobra 6019		Up to VIN: 1946-excl.1937/8	A111M6038S	1
10	Siren Override Key, Cobra 6019		Up to VIN: 1946-excl.1937/8	A111M6040S	1
11	Touch Key, Cobra 6019		Up to VIN: 1946-excl.1937/8	A111M6039S	1
11a	Touch Key, Cobra 6422		From VIN: 1947-incl.1937/8	A111M6101S	1
12	Transmitter Key, Cobra 6422 casing and components		From VIN: 1947-incl.1937/8	A111M6100S	1
12a	Transmitter Key, Cobra 6422 casing		From VIN: 1947-incl.1937/8	A142M6000S	1
13	Transmitter key, Lucas, 433Mhz, 'A' type		Euro	A111M6063S	1
13a	Transmitter key, Lucas, 315 Mhz, 'B' type		Japan only	A111M6138S	1
14	Microswitch, alarm activator, doors			A111M6035F	1
15	Microswitch, alarm activator, bonnet and engine cover			A111M6037F	2
16	Bracket, engine cover microswitch			A111M0061F	1
17	Cover, microswitch bracket			A111M0057K	1
18	Cover, immobiliser module	Cobra 6019/6422		A111M0064K	1
18a	Cover, immobiliser module	Cobra 6422	Boot-box cars	B111M0064K	1
19	Bracket, bonnet microswitch			A111M0052F	1
20	Plate, electronics mounting		RHD '98 MY	D111M0026F	1
21	Harness , Cobra alarm kit, 6019	Not illustrated	Up to VIN: 1946-excl.1937/8	C111M0050F	1
21a	Harness, Cobra alarm kit, 6422HF	Not illustrated	From VIN: 1947-incl.1937/8	D111M0050F	1
22	Connector Extension Lead, microwave to controller,	Not illustrated	Cobra 6019/6422	A111M6114S	1

ELISE

Function Code: 17.33, Page: 2

Updated 3rd November 2014

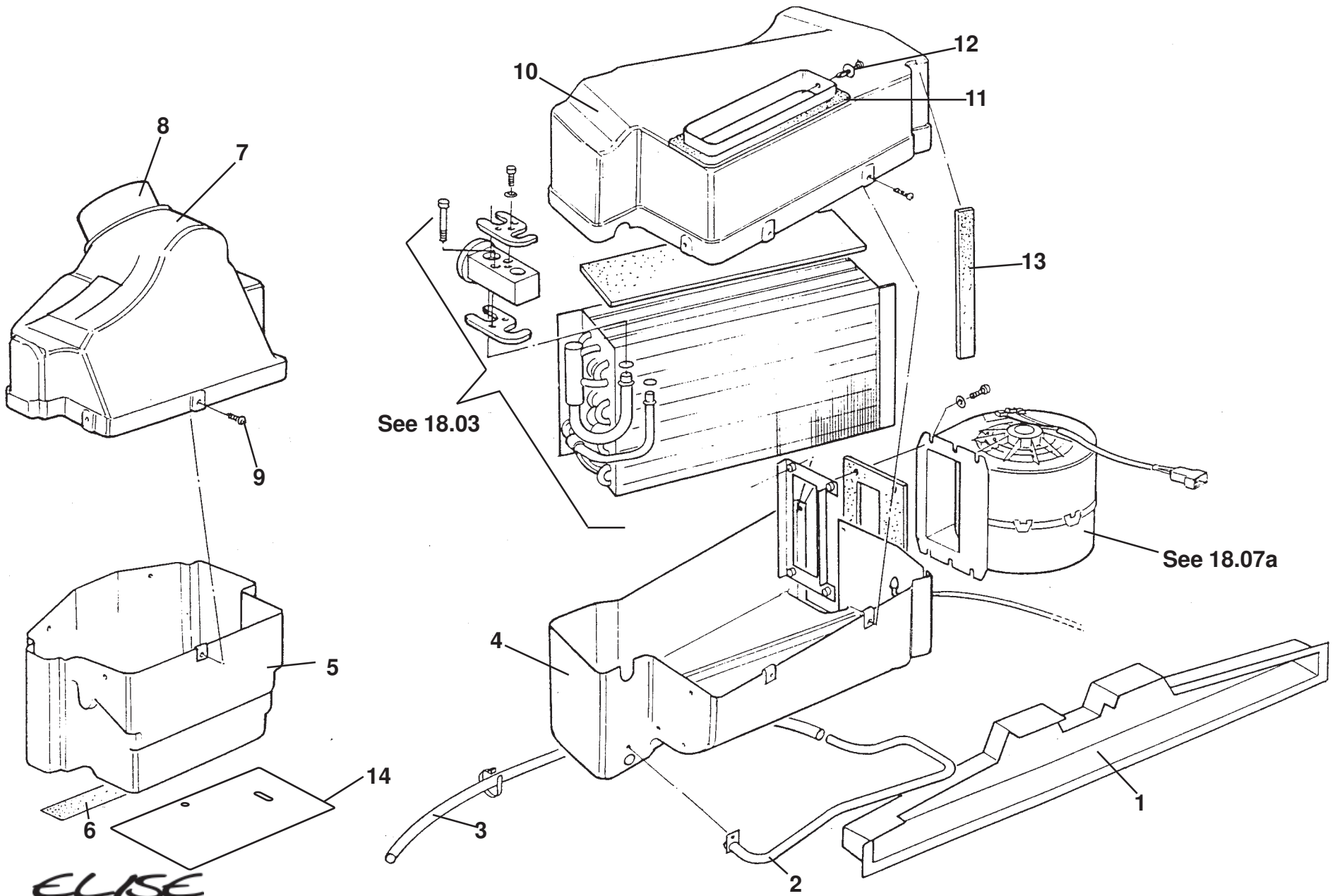
Function Code 17.33 Security Alarm System, Parking Sensors & Camera

<u>Dep</u>	<u>Part Description</u>	<u>Remarks</u>	<u>Option</u>	<u>Part Number</u>	<u>Qty</u>
23	Bridging Plug, Cobra immobiliser	Not illustrated, Part of 190 kit, see 40.00 02i		A111M0123S	1
		NOTE: For full information on all Lotus Security Sytems, see LSL483g			

ELISE

Function Code: 17.33, Page: 3

Updated 3rd November 2014



ELISE
18.02

Updated 24th January 2013

Service Parts List *ELISE*



Function Code 18.02 AC Evaporator Housing

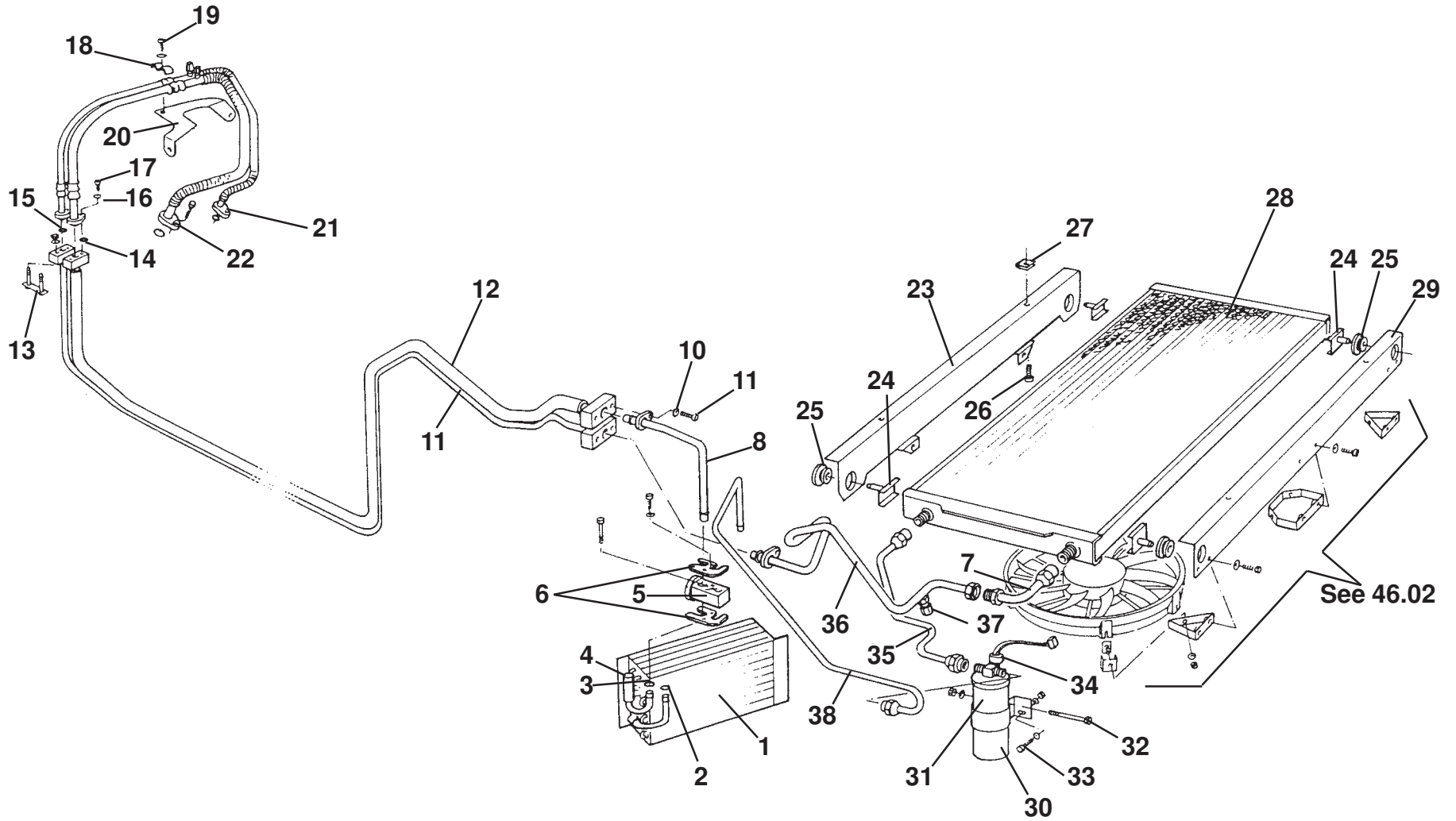
<u>Dep</u>	<u>Part Description</u>	<u>Remarks</u>	<u>Option</u>	<u>Part Number</u>	<u>Qty</u>
01	Air Inlet Baffle, RHD			A111P0098K	1
02	Drain Pipe Assembly			B111P0157F	1
03	Drain tube, 1/2" ID			A111K6010V	1
04	Evaporator Housing, lower, RHD			A111P0246K	1
05	Plenum, lower, RHD			A111P0104K	1
06	Double Sided Tape, 0.25mm width			B075U6070V	As req.
07	Plenum, upper, RHD			A111P0102K	1
08	Adaptor Spigot, plenum			A111P0208K	1
09	Screw, No 6 x 1/2", pozi., plenum fixings			A075W5012F	5
10	Evaporator Housing, upper, RHD			A111P0089K	1
11	Foam Strip Seal, self adhesive, plenum to evap. hsg.			A111P0213K	As req.
12	Plastic Fastener, plenum to evap hsg. fixing			A111W6534F	1
13	Foam Strip Seal, 25 mm x 12.5 mm			A111P0173K	1
14	Base, plenum, lower			B111P0008K	1

Note: for AC/heater cars built in
2000 see Exige Parts List

ELISE

Function Code: 18.02, Page: 1

Updated 24th January 2013



ELISE
18.03

Service Parts List *ELISE*



Function Code 18.03 AC Components, Pipes, Hoses

<u>Dep</u>	<u>Part Description</u>	<u>Remarks</u>	<u>Option</u>	<u>Part Number</u>	<u>Qty</u>
01	Evaporator			B111P0076F	1
02	'O' Ring, No 8, expansion valve			A082P6079F	1
03	'O' Ring, No 10, expansion valve			A082P6080F	1
04	Tape, non drip			A075P6086F	0.500m
05	Expansion Valve			A111P6048F	1
06	Clamp Plate, pipes to expansion valve			A082P4402F	1
07	Elbow Pipe, condenser			A111P0242F	1
08	Suction Pipe, pipe joint retaining			A111P0137F	1
09	Screw, M6 x 25 , suction pipe fix.			A111W7170F	2
10	Washer, spring, M6			A075W4035Z	2
11	Refrigerant Pipe, high pressure, rear to front			A111P0150F	1
12	Refrigerant Pipe, suction line, front to rear			A111P0149F	1
13	Stud Plate, AC pipe joint			A111P0151F	1
14	'O' Ring, high pressure line joints			A111P6019F	3
15	'O' Ring, compressor, suction line joints			A111P6018F	3
16	Washer, spring, M6			A075W4035Z	2
17	Screw, M6 x 25 mm, pipe joint retaining			A111W7170F	2
18	Clamp Plate, compressor pipes			A111P0117F	1

ELISE

Function Code: 18.03, Page: 1

Updated 24th January 2013

Function Code 18.03 AC Components, Pipes, Hoses

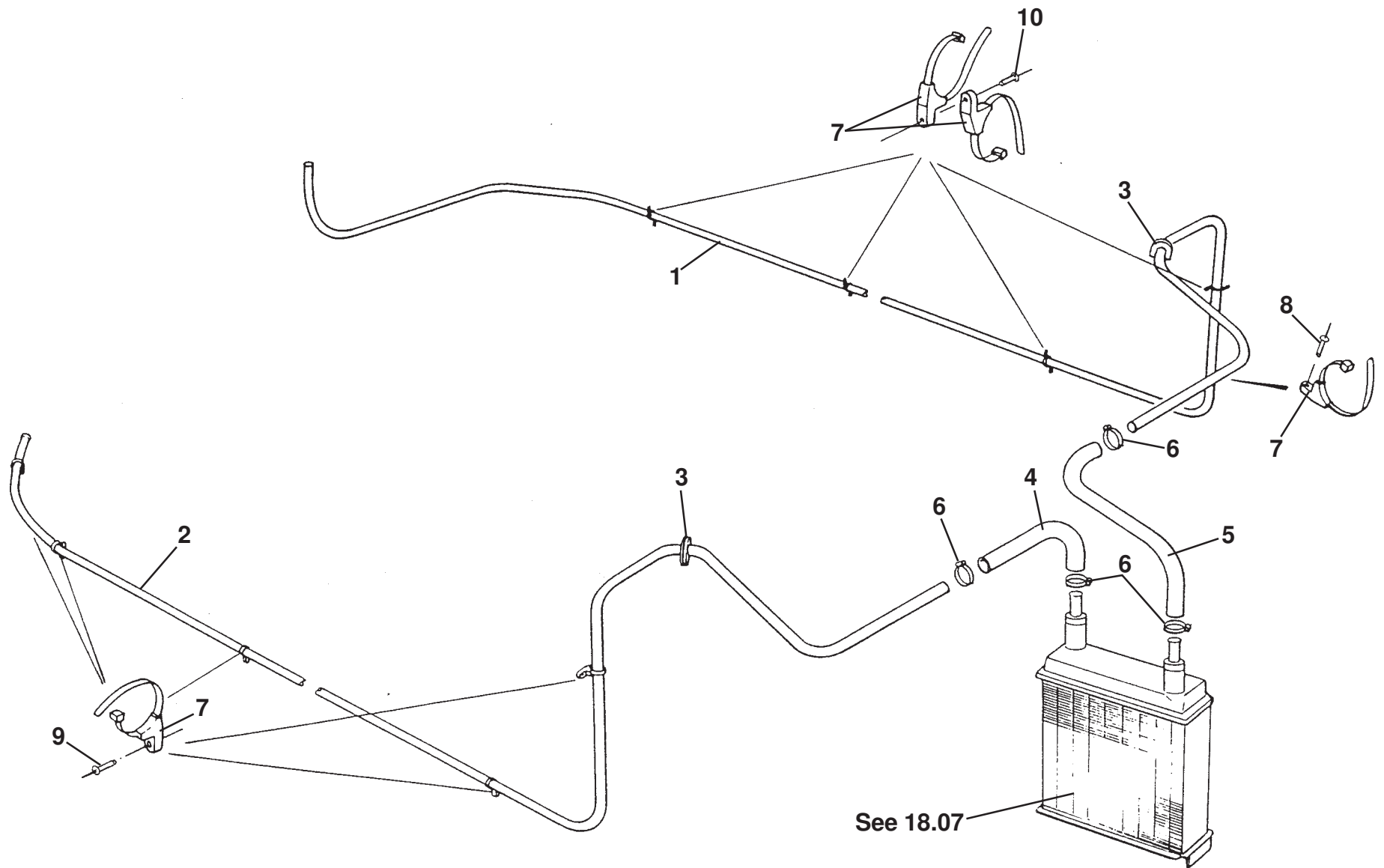
<u>Dep</u>	<u>Part Description</u>	<u>Remarks</u>	<u>Option</u>	<u>Part Number</u>	<u>Qty</u>
19	Setscrew, M5 x 30, hex. hd., clamp plate to bracket			A079W1084F	1
20	Steady Bracket, compressor pipes			A111P0119F	1
21	Pipe/Hose assembly, compressor discharge		A111P0131F R/B	B111P0131S	1
22	Pipe/Hose assembly, compressor suction			A111P0132F	1
23	Bracket, condenser & fans mounting, rear			A111P0084F	1
24	Spigot, condenser mounting			A111P0129F	4
25	Grommet, condenser mounting			A111P6022F	4
26	Screw, M6 x 12 mm, brackets to radiator			A111E6007F	4
27	Spire Nut, M6, brackets to radiator			A100W6362F	4
28	Condenser			A111P6035F	1
29	Bracket, condenser & fans mounting, front			A111P0085F	1
30	Receiver Drier			A082P4378F	1
31	Clamp, receiver drier mounting			A111P0116F	1
32	Setscrew, M6 x 30 mm, receiver drier clamping			A075W1032Z	1
33	Setscrew, M6 x 20 mm, clamp to body			A075W1030Z	2
34	Triangular Switch, receiver drier		A082P6075F R/B	A111P0327F	1
35	Refrigerant Pipe, condenser to receiver drier			A111P0135F	1
36	Refrigerant Pipe, rear/front pipe to condenser inlet elbow			B111P0134F	1
37	Pressure Relief Valve			A111P6030H	1
38	Refrigerant Pipe, receiver drier to expansion valve			A111P0136F	1
39	Clamp Plate, valve to evaporator			A082P4401F	1

ELISE

Function Code 18.03 AC Components, Pipes, Hoses

<u>Dep</u>	<u>Part Description</u>	<u>Remarks</u>	<u>Option</u>	<u>Part Number</u>	<u>Qty</u>
40	Screw, M5 x 40, cap hd. skt., valve to clamp			A100W7081F	2
41	Screw, M6 x 16, cap hd. skt., clamp to valve			A075W7017F	1
42	Washer, spring, M6			A075W4035Z	1

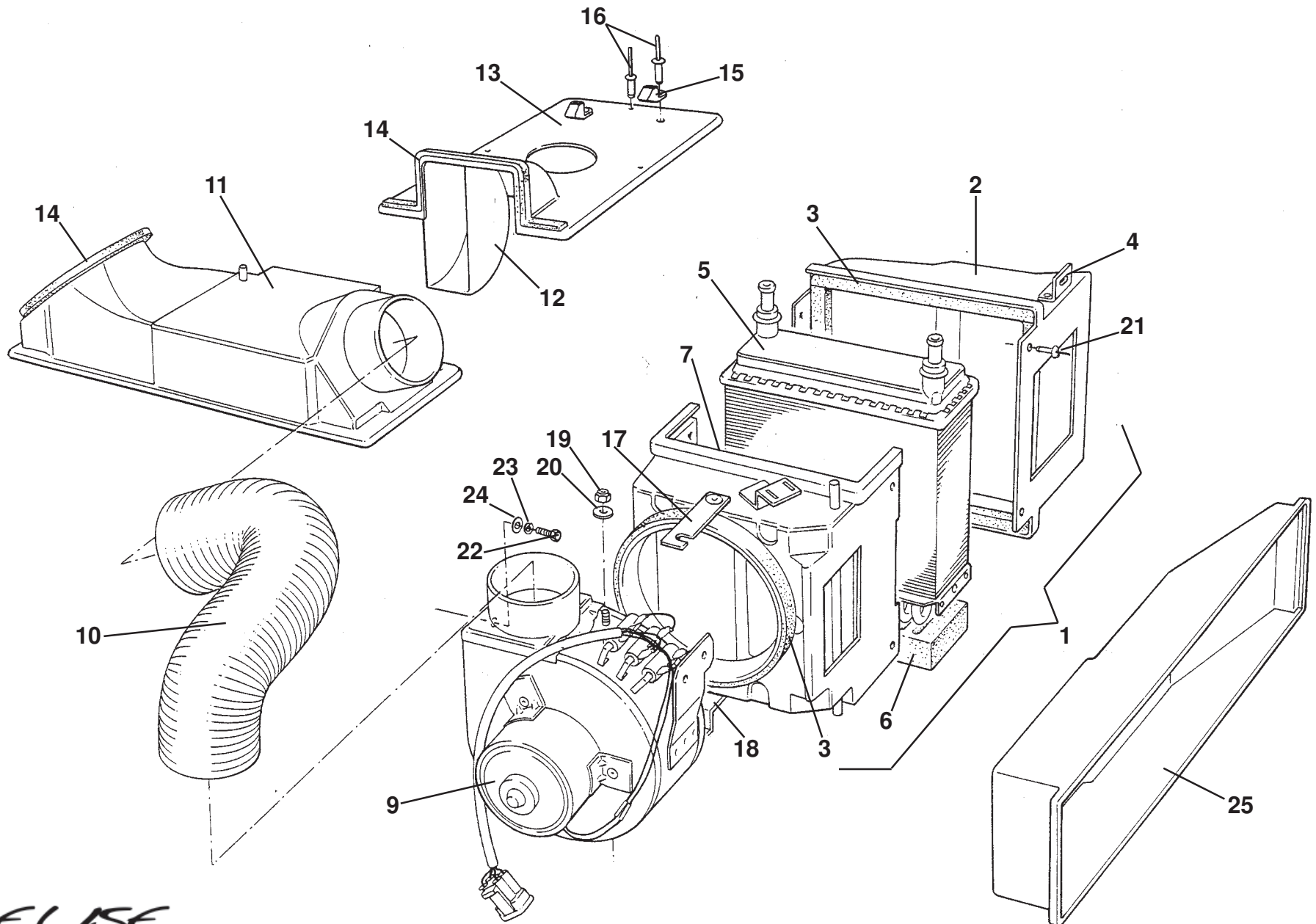
Note: for AC/heater cars built in
2000 see Exige Parts List



ELISE
18.05

Function Code 18.05 Heater, Pipes, Hoses

<u>Dep</u>	<u>Part Description</u>	<u>Remarks</u>	<u>Option</u>	<u>Part Number</u>	<u>Qty</u>
01	Pipe, heater return			B111P0001F	1
02	Pipe, heater feed			B111P0002F	1
03	Grommet, heater pipes	In scuttle baffle		A111P0003K	2
04	Hose, heater inlet, RHD			A111P0058F	1
04a	Hose, heater inlet, LHD			A111P0057F	1
05	Hose, heater outlet, RHD			A111P0056F	1
05a	Hose, heater outlet, LHD			A111P0055F	1
06	Hose Clip			A079K6018Z	4
07	Tie Wrap Cradle	Pipes to chassis		A085W6276F	14
08	Blind Rivet, cradle to chassis			A085W6259F	4
09	Blind Rivet, cradle to chassis			A111W6613F	6
10	Blind Rivet, cradles to chassis			A111W6614F	4
11	Water Valve	Cars built in 2000	AC only	A111P6023F	1



ELISE
18.07

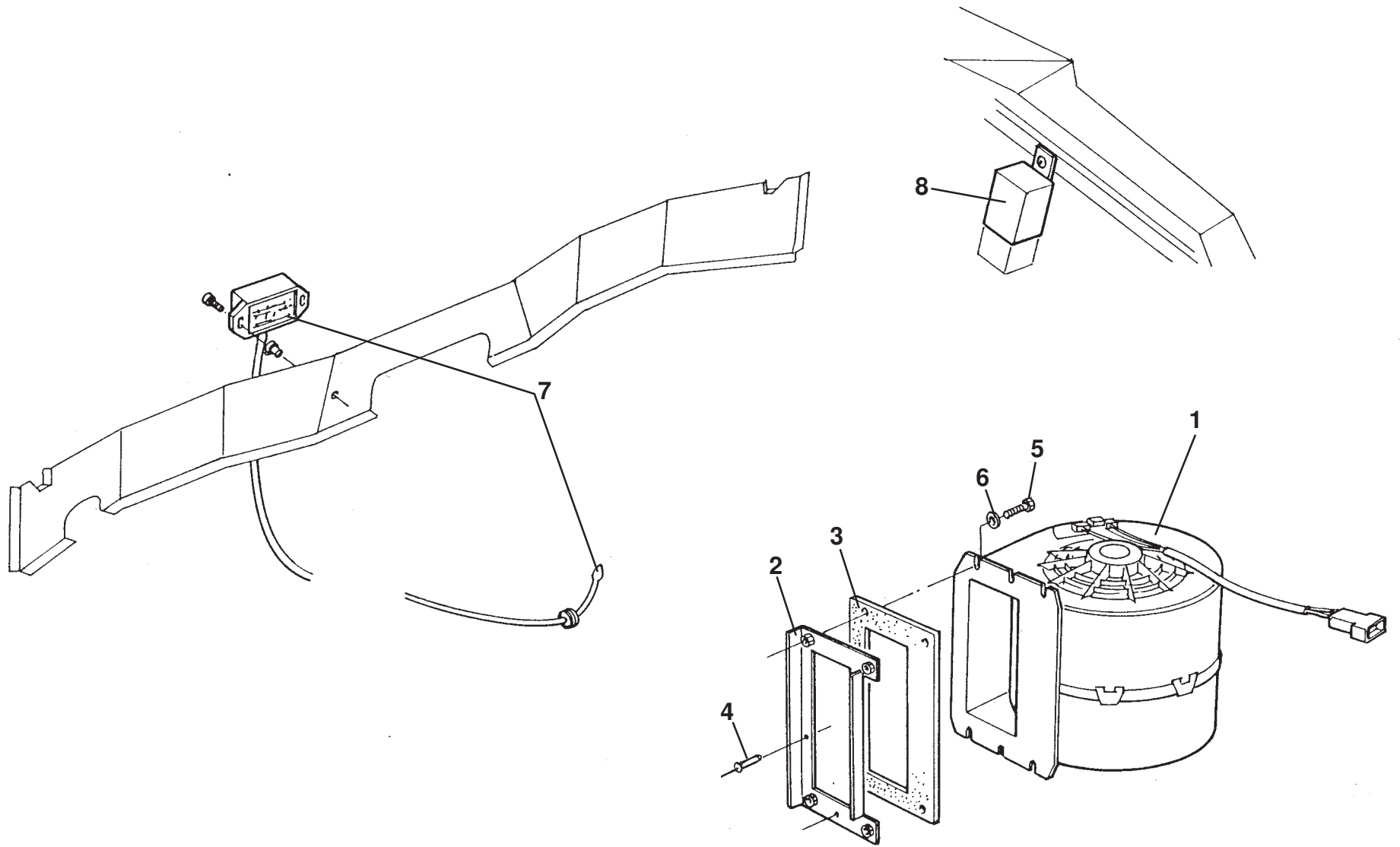
Function Code 18.07 Interior Blower Motor, Heater Matrix, Intakes & Ducting

<u>Dep</u>	<u>Part Description</u>	<u>Remarks</u>	<u>Option</u>	<u>Part Number</u>	<u>Qty</u>
01	Heater Assembly, RHD	Incl. matrix, housing & flap assy.	Service assembly	A111P0278J	1
01a	Heater Assembly, LHD	Incl. matrix, housing & flap assy.	Service assembly	A111P0277J	1
02	Cover, heater housing, RHD			B111P0042K	1
02a	Cover, heater housing, LHD			B111P0041K	1
03	Foam Seal, heater housing			A100B0431V	As req.
04	Bracket, heater assy. to chassis			B111P0053F	1
05	Heater Matrix			A111P6011F	1
06	Foam base, heater matrix			A111P6012F	1
07	Heater Housing, RHD	Includes flap assembly	Service assembly	B111P0074J	1
07a	Heater Housing, LHD	Includes flap assembly	Service assembly	B111P0073J	1
08	Foam Seal, heater casing to motor			A100B0431V	1
09	Blower Motor			A111P0012F	1
10	Hose, blower to plenum			A111P0020F	1
11	Plenum Assembly, RHD	Includes flap assembly		A111P0064J	1
11a	Plenum Assembly, LHD	Includes flap assembly		A111P0063J	1
12	Deflector, footwell			A111P0062K	1
13	Plenum, outlet			A111P0026K	1
14	Foam Seal, plenum outlets			A100B0431V	As req.
15	Tie Wrap Cradle			A085W6276F	2
16	Pop Rivet			A075W6087Z	2
17	Bracket, upper, blower to housing			A111U0477F	1

ELISE

Function Code 18.07 Interior Blower Motor, Heater Matrix, Intakes & Ducting

<u>Dep</u>	<u>Part Description</u>	<u>Remarks</u>	<u>Option</u>	<u>Part Number</u>	<u>Qty</u>
18	Bracket, lower, blower to housing			A111U0491F	1
19	Nyloc Nut, M5			A100W3113F	2
20	Washer, flat, M5 x 12			A100W4121F	4
21	Pop Rivet			A075W6066Z	6
22	Setscrew, M6 x 16, hex. hd., blower to chassis		2 off, LHD	A075W1028Z	3
22a	Setscrew, M6 x 25, hex. hd., blower to chassis		LHD	A075W1031Z	1
23	Washer, spring, M5			A075W4035Z	3
24	Washer, flat M5 x 18 x 1.0			B082W4018Z	3
25	Ram Air Intake			A111P0034K	1
26	Blower Outlet			A111P0024K	1
27	Butyl Tape, footwell deflector to chassis seal	Not illustrated		A100B6207V	As req.



ELISE
18.07a

Updated 23rd December 2010

Service Parts List *ELISE*



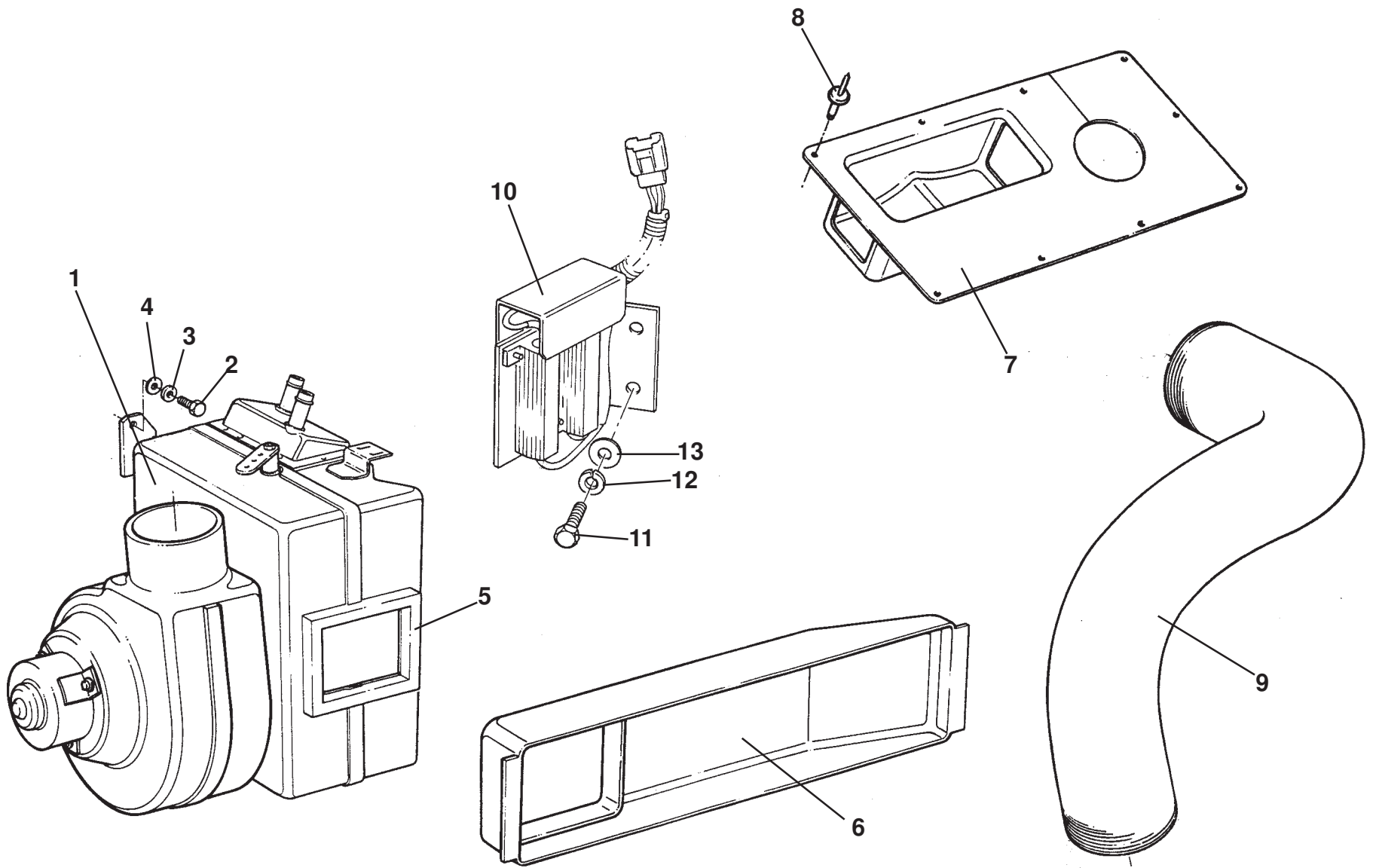
Function Code 18.07a AC Interior Blower Motor

<u>Dep</u>	<u>Part Description</u>	<u>Remarks</u>	<u>Option</u>	<u>Part Number</u>	<u>Qty</u>
01	Blower Motor, including resistor	No heater	AC only	A111M6071F	1
02	Mounting Plate, blower to evap. housing	No heater	AC only	A111P0183F	1
03	Foam Seal	No heater	AC only	A111P0185F	1
04	Pop Rivet, plate to evap. housing	No heater	AC only	A075W6090Z	3
05	Screw, M4 x 16, hex. hd.	No heater	AC only	A082W5141F	4
06	Washer, shakeproof, M4	No heater	AC only	A075W4086F	4
07	Thermoamplifier/Thermister Assembly	No heater	AC only	A082M4766K	1
08	Timer Module, hot shut down pump	No heater	AC only	A111M6076F	1

ELISE

Function Code: 18.07a, Page: 1

Updated 15th April 2011

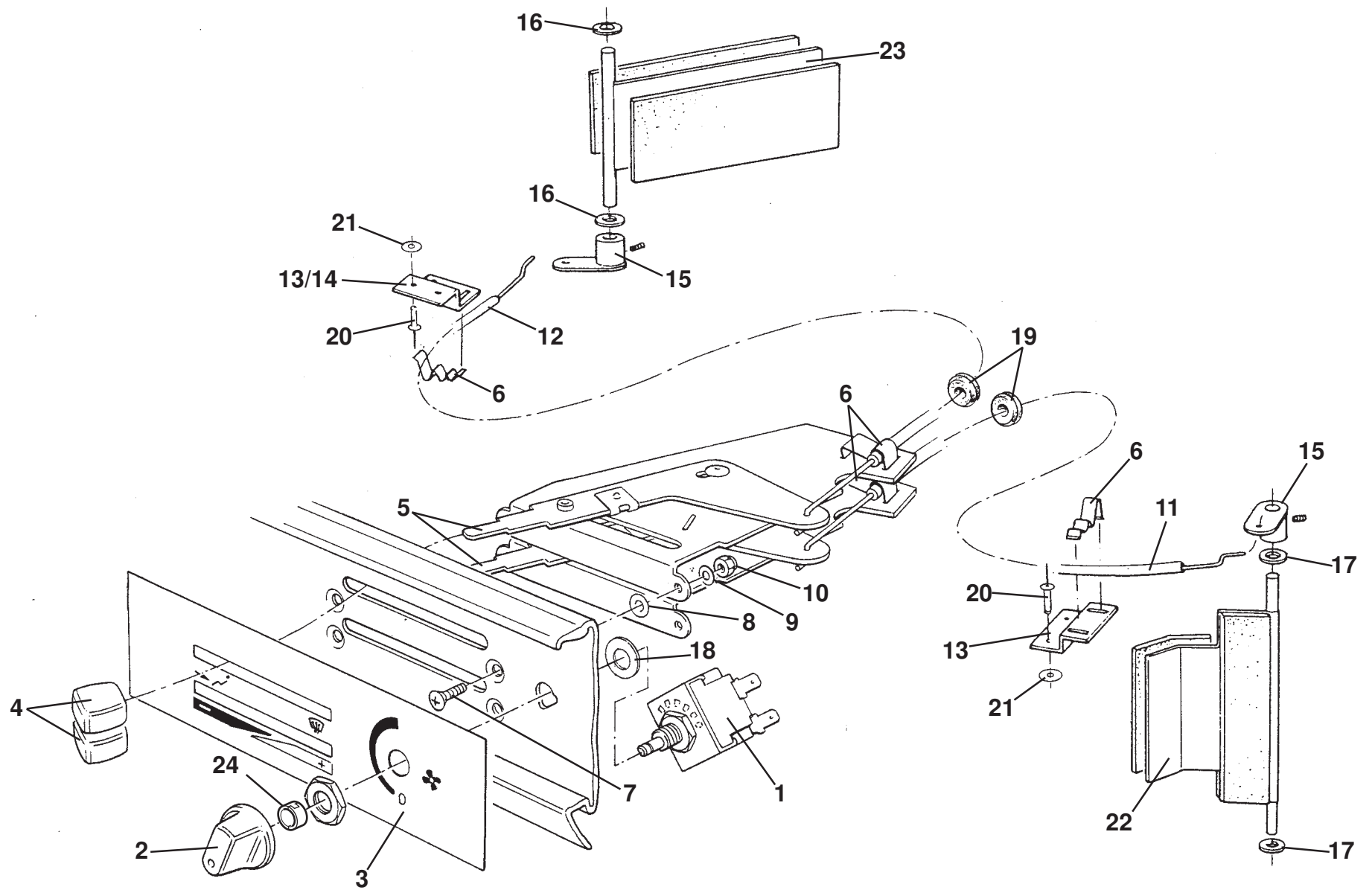


ELISE
18.07b

Function Code 18.07b AC/ Heater: Blower Motor/Heater Assy, Intakes & Ducting

<u>Dep</u>	<u>Part Description</u>	<u>Remarks</u>	<u>Option</u>	<u>Part Number</u>	<u>Qty</u>
01	Heater Assembly. RHD			B111P0282F	1
01a	Heater Assembly. LHD			B111P0281F	1
02	Screw, M6 x 20, hex. hd., heater assy. to chassis		A075W1027Z R/B	A075W1030Z	1
03	Washer, spring, M6, heater assy. to chassis			A075W4035Z	1
04	Washer, flat, M6, heater assy. to chassis			A075W4015Z	1
05	Foam Gasket, duct to heater			A116P0020F	1
06	Air Intake Duct			B116P0005F	1
07	Deflector, footwell, RHD			A117P0222F	1
07a	Deflector, footwell, LHD			A117P0221F	1
08	Pop Rivet, deflector fix.			A082W6512Z	10
09	Hose, heater to plenum			A111P0343V	1
10	Resistor Assembly, fan control			A111M6127F	1
11	Screw, M6 x 12, hex. hd., resistor assy. to chassis			A075W1027Z	2
12	Washer, spring, M6, resistor assy. to chassis			A075W4035Z	2
13	Washer, flat, M6, resistor assy. to chassis			A075W4015Z	2

ELISE



ELISE
18.09

Updated 24th January 2013

Service Parts List *ELISE*



Function Code 18.09 Driver Operated Controls

<u>Dep</u>	<u>Part Description</u>	<u>Remarks</u>	<u>Option</u>	<u>Part Number</u>	<u>Qty</u>
01	Switch, fan speed control			A082M6223F	1
02	Knob, fan speed control			A082P4350F	1
03	Graphics Panel, heater			A111P0011F	1
04	Knob, slider assembly, heater/distribution			A111P6003F	2
05	Control Slider, heater/distribution			A111P6002F	2
06	Cable Securing Clip			A111P6008F	4
07	Screw, M4 x 16, csk. pozi., control to panel			A100W5160F	4
08	Washer, M5 x 10			A075W4011Z	4
09	Washer, M4 x 9			A082W4099F	4
10	Nyloc Nut, M4			A075W3049F	4
11	Cable, temp. control, RHD			A111P0021F	1
11a	Cable, temp. control, LHD			A111P0051F	1
12	Cable, distribution control, RHD			A111P0022F	1
12a	Cable, distribution control, LHD			A111P0050F	1
13	Cable Abutment Bracket, heater & plenum, RHD		1 off, heater, LHD	A111P0049F	2
14	Cable Abutment Bracket, plenum, LHD			A111P0052F	1
15	Lever Arm Assembly, flaps	Includes grub screw		A111P0048F	2
16	Washer, spacer, M6 x 12 x 1.5, plenum flap			B100W4127F	4

ELISE

Function Code: 18.09, Page: 1

Updated 24th January 2013

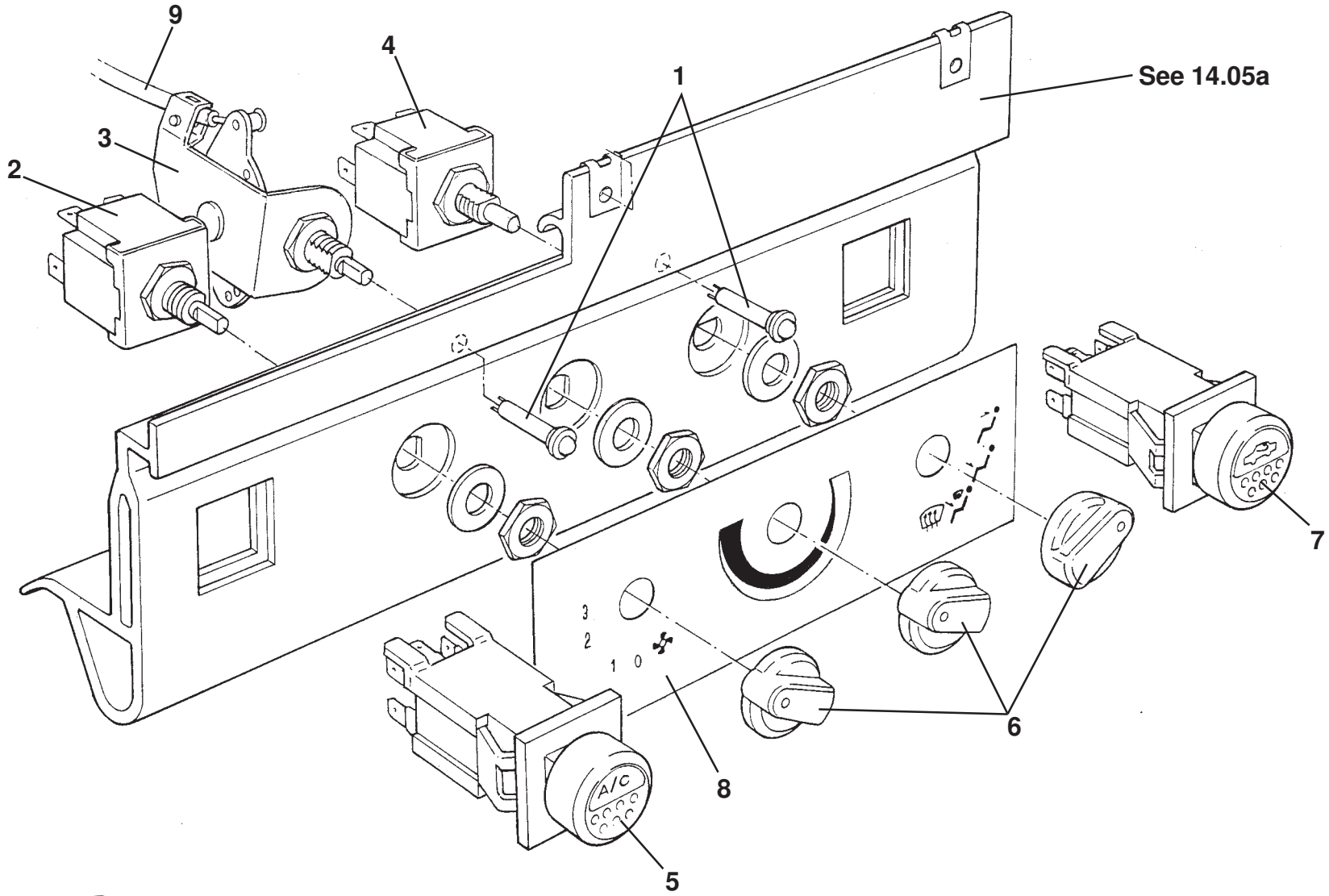
Function Code 18.09 Driver Operated Controls

<u>Dep</u>	<u>Part Description</u>	<u>Remarks</u>	<u>Option</u>	<u>Part Number</u>	<u>Qty</u>
17	Washer, spacer, M6 x 15 x 1.5, heater flap			A082W4133F	2
18	Washer, M12 x 24, switch to panel			A075W4071F	1
19	Grommet, cables through bulkhead		2 off RHD	X036B6150Z	2
20	Pop rivet, cable abutment bracket fix.			A111W6597F	8
21	Washer, flat, 1/8" x 3/8"			A075W4001Z	1
22	Flap Assembly, heater unit	Part of heater assy., see 18.07		B111P0060J	1
23	Flap assembly, plenum	Part of plenum assy., see18.07		B111P0059J	1
24	Spring Clip, switch knob			A082W6493F	1

ELISE

Function Code: 18.09, Page: 2

Updated 24th January 2013



ELISE
18.09a

Service Parts List *ELISE*



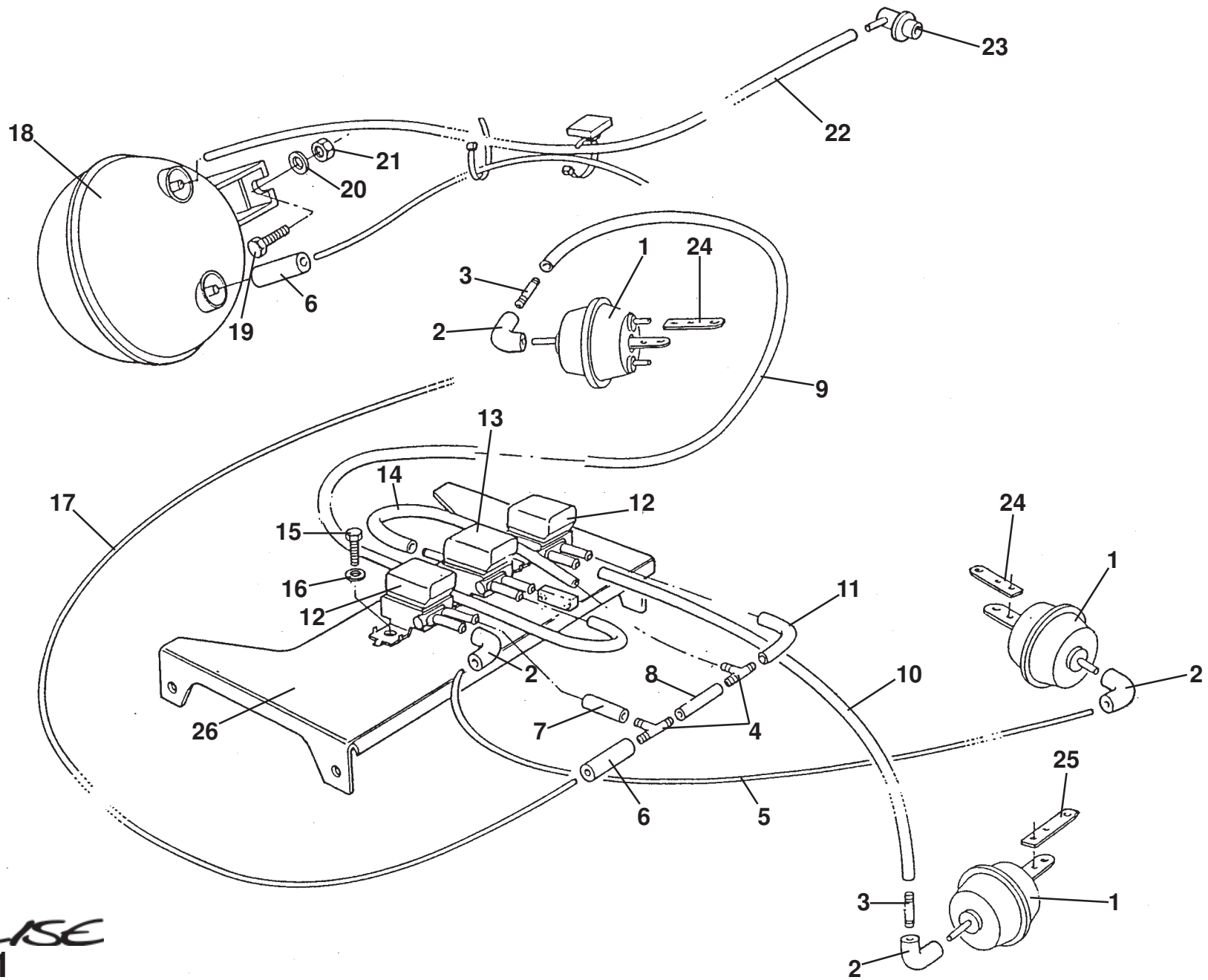
Function Code 18.09a AC/Heater Driver Operated Controls

<u>Dep</u>	<u>Part Description</u>	<u>Remarks</u>	<u>Option</u>	<u>Part Number</u>	<u>Qty</u>
01	LED Assembly, orange			A111M6069F	2
02	Switch, three speed fan	Supplied with knob		A082M6223F	1
03	Rotary Control, temperature	Supplied with knob & cable	AC/heater cars	A111P0310F	1
03a	Switch, refrigeration control	No heater	AC only cars	A111M6074H	1
04	Switch, air distribution	Supplied with knob		A111M6074H	1
05	Switch, air conditioning			A111M6067F	1
06	Knob, switch control	Part of items 2, 3, 4		A082P4350F	3
07	Switch, recirculation			A111M6068F	1
08	Graphics Panel, AC/heater		AC/heater cars	A111P0155F	1
08a	Graphics Panel, AC only	No heater	AC only cars	A111P0156F	1
09	Cable, temperature control	Part of item 3		TBA	1

ELISE

Function Code: 18.09a, Page: 1

Updated 1st July 2019



ELISE
18.11

Service Parts List *ELISE*



Function Code 18.11 AC Vacuum Controls

<u>Dep</u>	<u>Part Description</u>	<u>Remarks</u>	<u>Option</u>	<u>Part Number</u>	<u>Qty</u>
01	Vacuum Actuator			A111P6046F	3
02	Elbow Connector, vacuum pipes			A075P6079F	4
03	Connector, elbow to pipe			A082W6619F	2
04	'T' Piece, pipe connector reservoir to solenoid			A082J6089F	2
05	Vacuum Pipe,500mm, actuator to solenoid			A111P0193K	1
06	Connector, 40mm, vacuum pipe to reservoir / 'T' piece			A082L4294F	2
07	Connector Hose, 25mm, 'T' piece to solenoid			A111P0241K	2
08	Connector Hose, 40mm, 'T' piece to 'T' piece			A111P0191K	1
09	Vacuum Hose, 500mm, actuator to solenoid			A111P0209K	1
10	Vacuum Hose, 470mm, actuator to solenoid			A111P0198K	1
11	Elbow Hose, 'T' piece to solenoid			A111P0192K	1
12	Solenoid, vacuum control			A082M6421F	2
13	Solenoid, vacuum control			A082M6666F	1
14	Vacuum hose, 175 mm, solenoid to 'T' piece			A111P0253K	1
15	Setscrew, M5 x 20 mm, solenoid to platform mounting			A111W1105F	3
16	Washer, M5 x 1.0 mm			A075W4011Z	3
17	Vacuum Pipe, 3500mm, reservoir to solenoid 'T' piece			A111P0197K	1
18	Vacuum Reservoir			A100P6018F	1

ELISE

Function Code: 18.11, Page: 1

Updated 1st December 2014

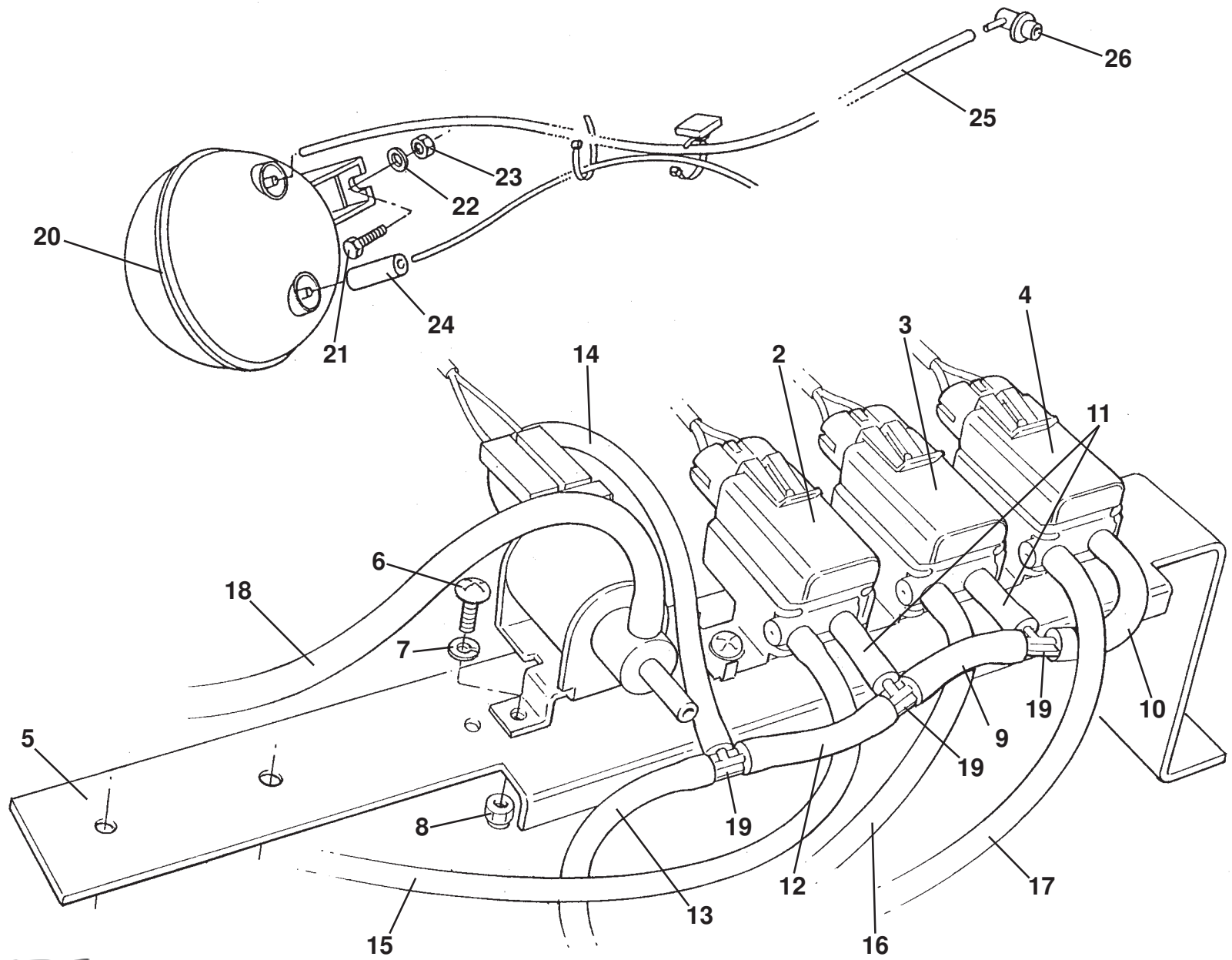
Function Code 18.11 AC Vacuum Controls

<u>Dep</u>	<u>Part Description</u>	<u>Remarks</u>	<u>Option</u>	<u>Part Number</u>	<u>Qty</u>
19	Setscrew, M5 x 20, hex. hd., vacuum reservoir mounting			A075W1025F	2
20	Washer, flat, M5 x 1.0			A075W4011Z	2
21	Nyloc Nut, M5			A075W3008Z	2
22	Vacuum Hose, 700mm, reservoir to non return valve			A111P0194K	1
23	Non Return Valve			A111P0176F	1
24	Extension Arm, vacuum actuator			B111P0221F	2
25	Extension Arm, vacuum actuator			B111P0220F	1
26	Mounting Plate, solenoid modules			A111P0148F	1

ELISE

Function Code: 18.11, Page: 2

Updated 1st December 2014



ELISE
18.11a

Service Parts List *ELISE*



Function Code 18.11a AC/Heater Vacuum Controls

<u>Dep</u>	<u>Part Description</u>	<u>Remarks</u>	<u>Option</u>	<u>Part Number</u>	<u>Qty</u>
01	Solenoid Valve, screen flap			A082M6666F	1
02	Solenoid Valve, footwell flap			A082M6421F	1
03	Solenoid Valve, re-circ flap			A082M6421F	1
04	Solenoid Valve, water valve			A082M6421F	1
05	Bracket, solenoids mounting			TBA	1
06	Screw, M5 x 12, button hd., pozi., bracket & solenoids fix.			A111W7117F	6
07	Washer, spring, M5			A082W4130F	6
08	Nyloc Nut, M5, solenoids to bracket			A075W3008Z	4
09	Hose, vacuum supply, 'T' peice connecting	Cut to fitted length		A910E6784V	45mm
10	Hose, vacuum supply, 'T' peice to solenoid	Cut to fitted length		A910E6784V	50mm
11	Hose, vacuum supply, 'T' peice to solenoid	Cut to fitted length		A910E6784V	40mm
12	Hose, vacuum supply, 'T' peice connecting	Cut to fitted length		A910E6784V	45mm
13	Hose, vacuum supply, 'T' peice to reservoir	Cut to fitted length		A910E6784V	2.5M
14	Hose, vacuum supply, 'T' peice to solenoid	Cut to fitted length		A910E6784V	270mm
15	Hose, solenoid to footwell flap	Cut to fitted length		A910E6784V	560mm
16	Hose, solenoid to re-circ flap	Cut to fitted length		A910E6784V	700mm
17	Hose, solenoid to water valve	Cut to fitted length		A910E6784V	2.5M
18	Hose, solenoid to screen flap	Cut to fitted length		A910E6784V	640mm

ELISE

Function Code: 18.11a, Page: 1

Updated 1st December 2014

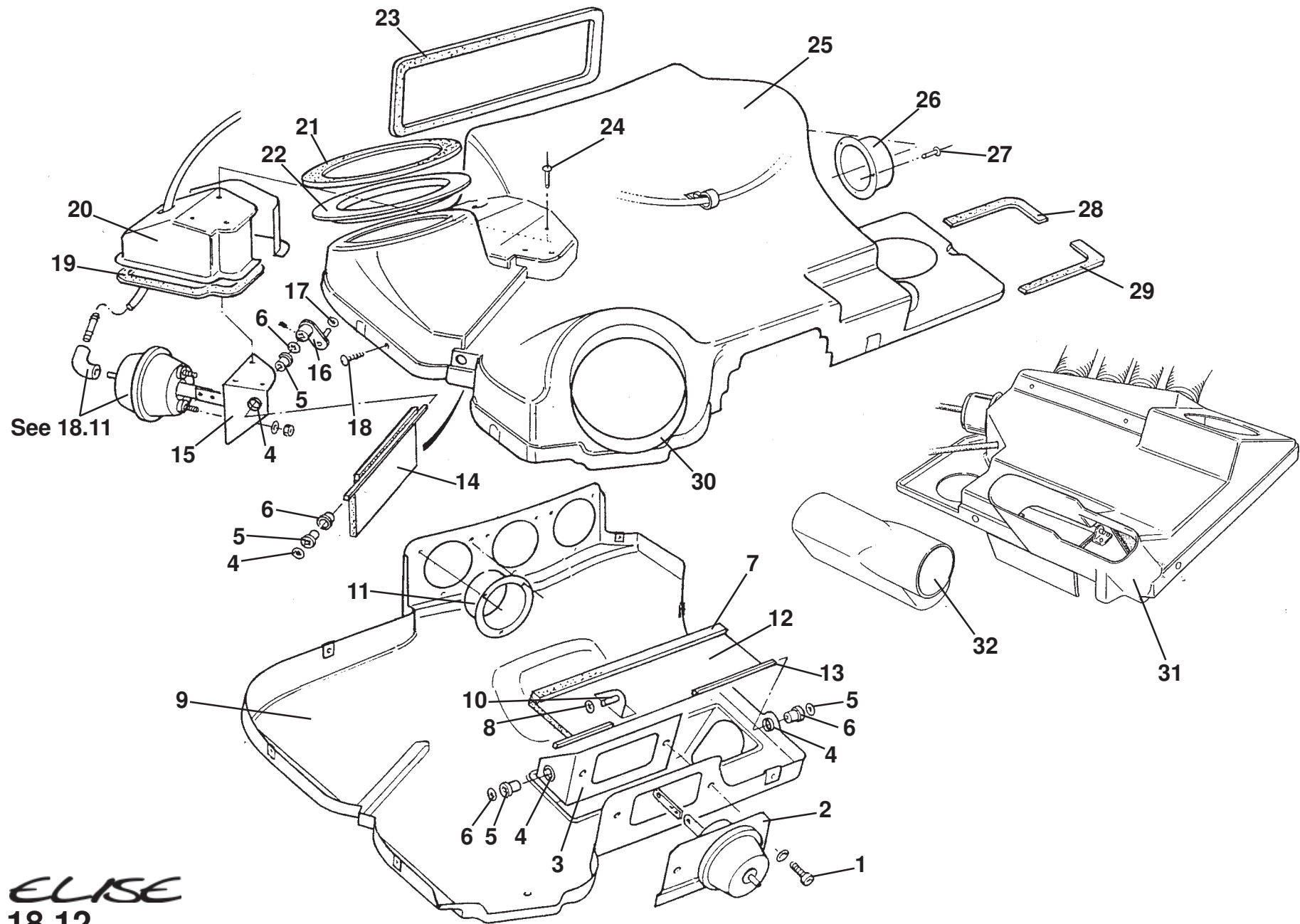
Function Code 18.11a AC/Heater Vacuum Controls

<u>Dep</u>	<u>Part Description</u>	<u>Remarks</u>	<u>Option</u>	<u>Part Number</u>	<u>Qty</u>
19	'T' Piece			A082J6089F	1
20	Vacuum Reservoir			A100P6018F	1
21	Setscrew, M5 x 20, hex., hd., vacuum reservoir mounting			A075W1025F	2
22	Washer, flat, M5 x 1.0			A075W4011Z	2
23	Nyloc Nut, M5			A075W3008F	2
24	Connector, 40mm, vacuum hose to 'T' piece			A082L4294F	1
25	Vacuum Hose, 700mm, reservoir to non return valve			B111P0220F	1
26	Non Return Valve			A111P0184F	1

ELISE

Function Code: 18.11a, Page: 2

Updated 1st December 2014



ELISE
18.12

Function Code 18.12 AC/Heater Air Distribution Plenum

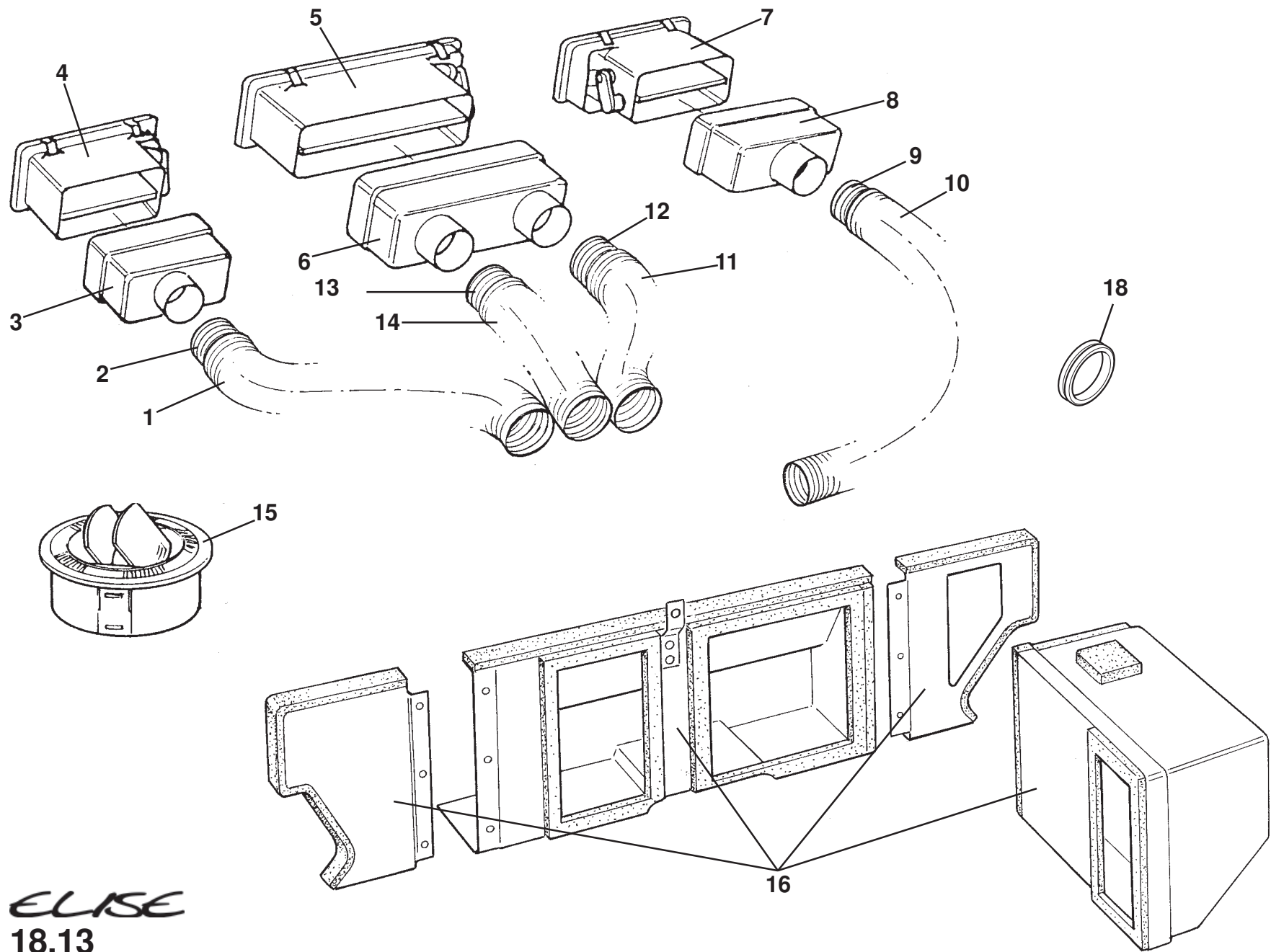
<u>Dep</u>	<u>Part Description</u>	<u>Remarks</u>	<u>Option</u>	<u>Part Number</u>	<u>Qty</u>
01	Setscrew, M4 x 16, pozi, fixing actuator bracket			A082W5141F	2
02	Mounting Bracket, actuator			A111P0229F	1
03	Mounting Bracket, footwell flap, RHD			A111P0228F	1
04	Bush, outer pivot			A075P6064F	8
05	Bush, inner pivot			A089P0268F	8
06	Securing Cip, flap shaft			A075W6173F	6
07	Foam Strip, 10mm x 6mm, self adhesive			A111P0141K	As req.
08	Starlock Fastener, 4mm			A111P6025F	2
09	Air distribution module, RHD			A111P0112K	1
10	Spindle, air flap pivot			A111P0123H	1
11	Duct, footwell outlet to FLV's			A075P0150F	4
12	Flap, footwell, RHD			B111P0120H	1
13	Pivot shaft, footwell flap			A111P0121H	2
14	Flap, demist, RHD			C111P0079F	1
15	Mounting Bracket, demist actuator			A111P0222F	1
16	Directional Lever, demist flap			A111P0233F	1
17	Starlock Fastener, 4 mm			A111P6025F	2
18	Screw, No 6 x 1/2", self tap. pozi.			A075W5012F	5
19	Foam Gasket			TBA	1
20	Baffle, actuator housing, RHD			A111P0235K	1
21	Gasket			TBA	1

ELISE

Function Code 18.12 AC/Heater Air Distribution Plenum

<u>Dep</u>	<u>Part Description</u>	<u>Remarks</u>	<u>Option</u>	<u>Part Number</u>	<u>Qty</u>
22	Seal			TBA	1
23	Foam Gasket			TBA	1
24	Pop Rivet, demist actuator bracket fixing			A075W6090Z	3
25	Module, air distribution, RH upper, RHD			A111P0108K	1
26	Outlet Duct, footwell distribution to FLV			A075P0150F	4
27	Pop Rivet, duct fixing			A075W6090Z	12
28	Gasket, air distribution module			TBA	1
29	Gasket, air distribution module			TBA	1
30	Adaptor Spigot, air distribution box			A111P0207K	1
31	Air Distribution Plenum, AC/heater, LHD	Cars built in 2000		A111P0285F	1
31a	Air Distribution Plenum, AC/heater, RHD	Cars built in 2000		A111P0286F	1
32	Adaptor, plenum to trunking	Cars built in 2000	LHD only	A111P0283F	1

ELISE



ELISE
18.13

Updated 24th January 2013

Service Parts List *ELISE*



Function Code 18.13 Air Trunking, Ducts & Ventilators

<u>Dep</u>	<u>Part Description</u>	<u>Remarks</u>	<u>Option</u>	<u>Part Number</u>	<u>Qty</u>
01	Trunking, face level vent, driver, outer		AC	A111P0203F	1
01a	Trunking, 50.5mm, face level vent, driver, outer	Cars built in 2000	AC/heater	A111P0328K	700mm
02	Trunking Reducer, face level vent, driver, outer		AC	A111P0199F	1
03	Adaptor, trunking to face level vent		AC	A111P0178K	1
04	Face Level Vent, RH		AC	A082P6063F	1
05	Face Level Vent, centre		AC	A111P6017F	1
06	Adaptor, trunking to face level vent, centre		AC	A111P0177K	1
07	Face Level Vent, LH		AC	A111P6016F	1
08	Adaptor, trunking to face level vent		AC	A111P0178K	1
09	Trunking Reducer, face level inner, LH		AC	A111P0200F	1
10	Trunking, face level vent, passenger outer		AC	A111P0206F	1
10a	Trunking, 50.5mm, face level vent, passenger outer	Cars built in 2000	AC/heater	A111P0329K	500mm
11	Trunking, face level vent, passenger, inner	Centre twin vent	AC	B111P0205F	1
11a	Trunking, 38.5mm, face level vent, passenger, inner	Centre twin vent, cars built in 2000	AC/heater	A111P0331K	180mm
12	Trunking Reducer, face level vent, passenger, centre		AC	B111P0202F	1
13	Trunking Reducer, face level vent, drivers, centre		AC	B111P0201F	1
14	Trunking, face level vent, driver, inner	Centre twin vent	AC	A111P0203F	1
14a	Trunking, 38.5mm, face level vent, driver, inner	Centre twin vent, cars built in 2000	AC/heater	A111P0330K	200mm

ELISE

Function Code: 18.13, Page: 1

Updated 24th January 2013

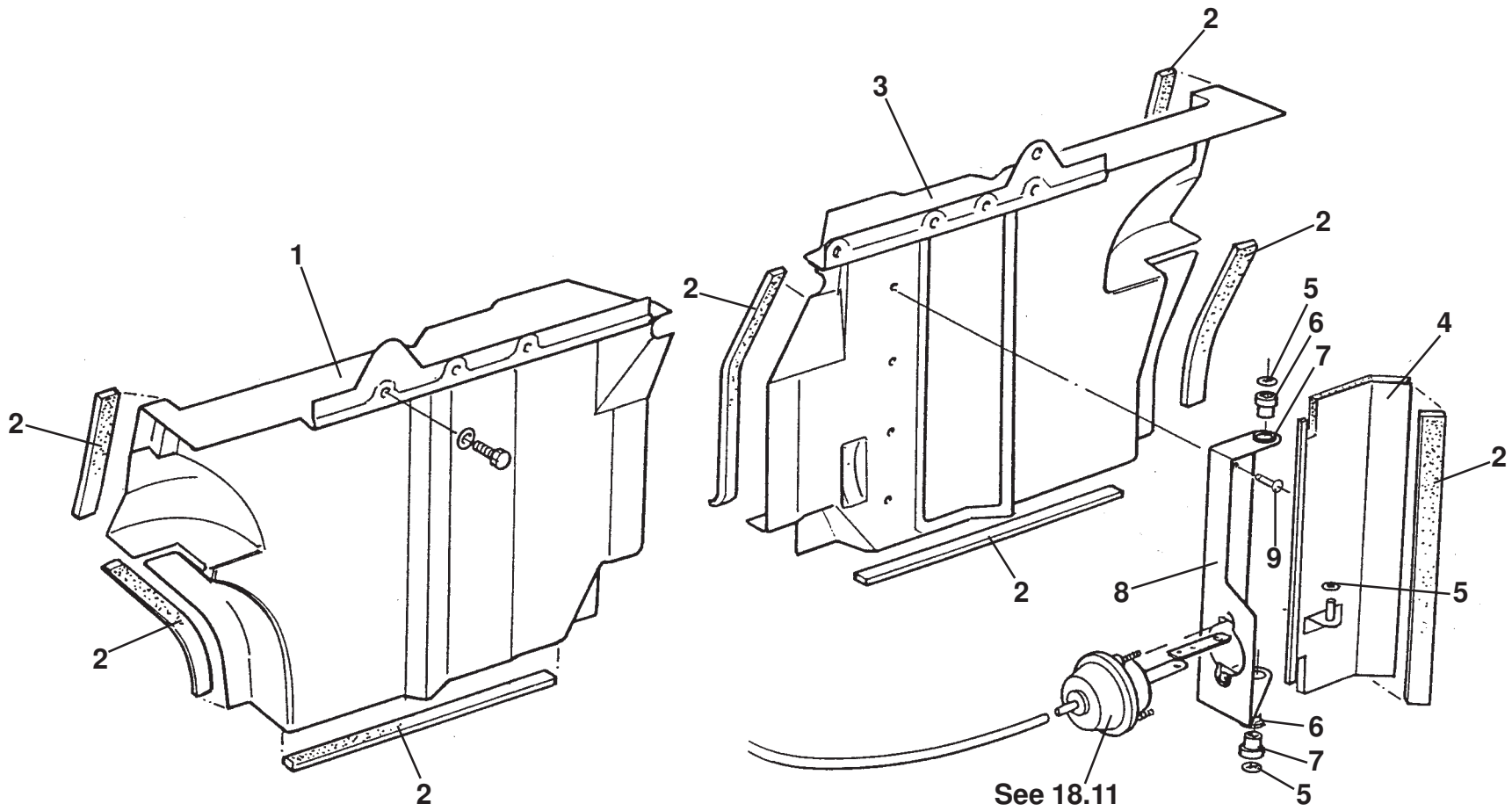
Function Code 18.13 Air Trunking, Ducts & Ventilators

<u>Dep</u>	<u>Part Description</u>	<u>Remarks</u>	<u>Option</u>	<u>Part Number</u>	<u>Qty</u>
15	Demister Vent, top of crash pad		All cars	A111P6001F	4
16	Duct Kit, AC re-circ to footwell, RHD	Cars built in 2000	AC/heater	A111P0284F	1
16a	Duct Kit, AC re-circ to footwell, LHD	Cars built in 2000	AC/heater	A111P0283F	1
17	Screw, No.4 x 0.5", csk, pozi. S/T, vent to dash top		All cars	A075W5003F	6
18	Grommet, FLV thro' bulkhead, LHS			A111P6047F	1

ELISE

Function Code: 18.13, Page: 2

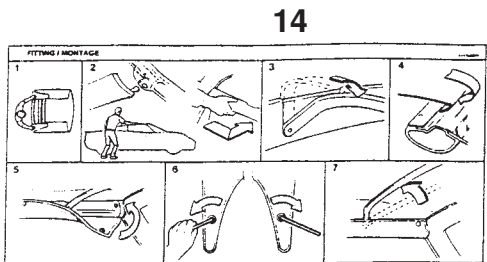
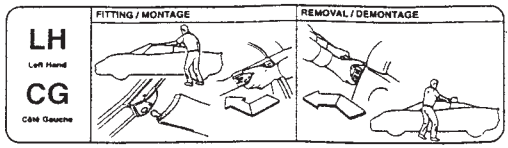
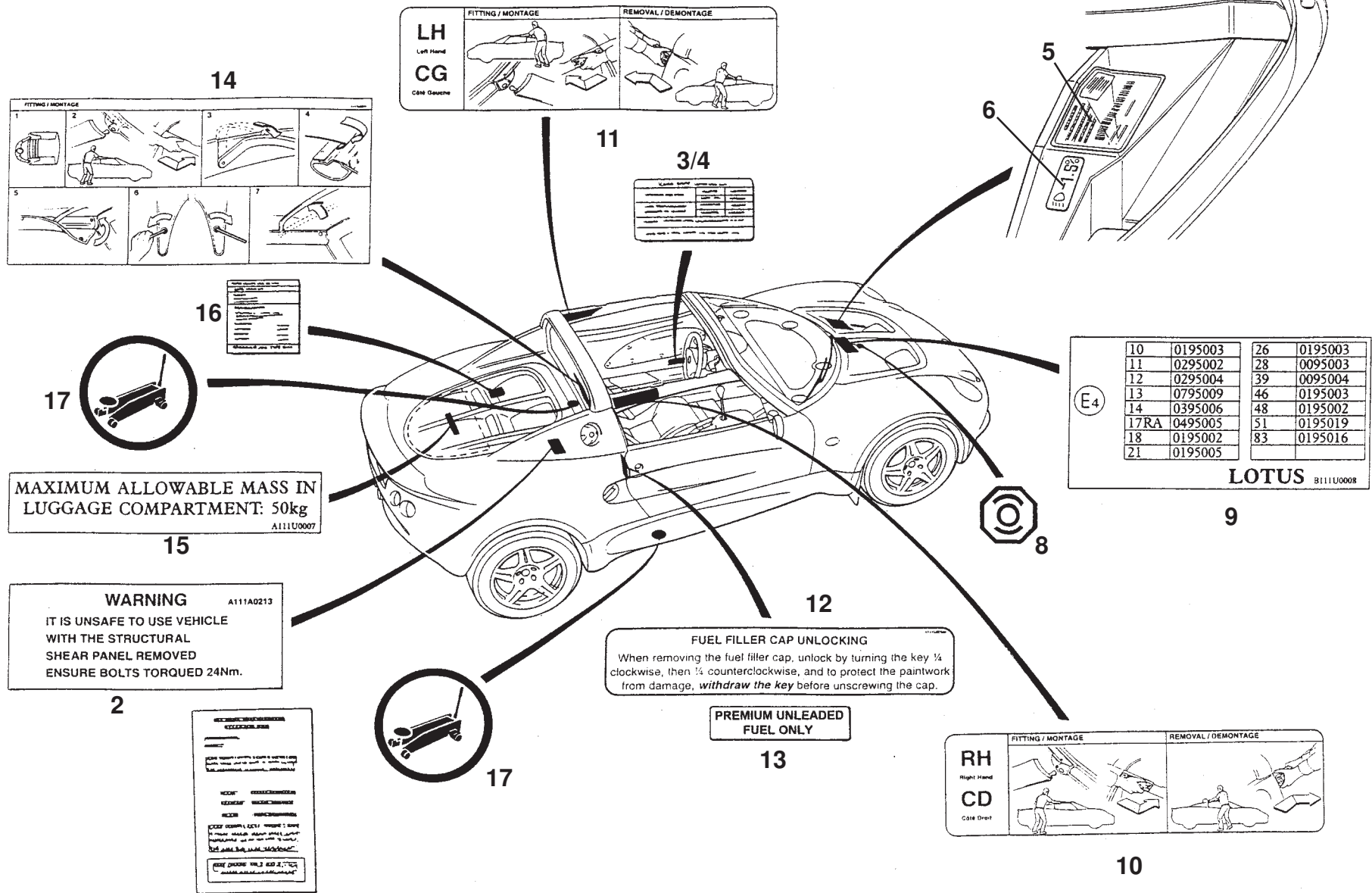
Updated 24th January 2013



ELISE
18.14

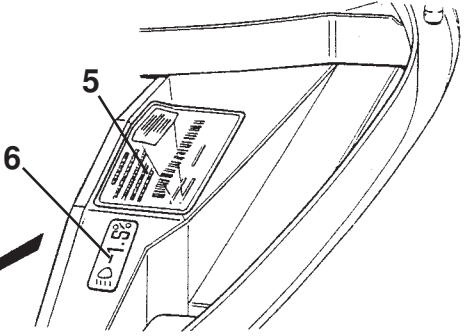
Function Code 18.14 AC Air Recirculation System

<u>Dep</u>	<u>Part Description</u>	<u>Remarks</u>	<u>Option</u>	<u>Part Number</u>	<u>Qty</u>
01	Air Inlet Diverter, RH, RHD			A111P0096K	1
02	Foam Strip Seal, self adhesive			A111P0173K	As req.
03	Air Inlet Diverter, LH, RHD			A111P0095K	1
04	Flap, recirc.			A111P0160F	1
05	Fastener, starlock, 4 mm			A111P6025F	6
06	Bush Pivot, outer, RHD			A075P6046F	6
07	Bush Pivot, inner, RHD			A089P0268F	6
08	Mounting Bracket, recirc. flap			A111P0216F	1
09	Pop Rivet, bracket fix.			A075W6090Z	4



3/4

Location	Part No.
Front Left	0295002
Front Right	0295004
Rear Left	0795009
Rear Right	0395006



E4

10	0195003	26	0195003
11	0295002	28	0095003
12	0295004	39	0095004
13	0795009	46	0195003
14	0395006	48	0195002
17RA	0495005	51	0195019
18	0195002	83	0195016
21	0195005		

LOTUS B111U0008

15

MAXIMUM ALLOWABLE MASS IN LUGGAGE COMPARTMENT: 50kg
A111U0007

2

WARNING A111A0213
IT IS UNSAFE TO USE VEHICLE WITH THE STRUCTURAL SHEAR PANEL REMOVED. ENSURE BOLTS TORQUED 24Nm.

12

FUEL FILLER CAP UNLOCKING
When removing the fuel filler cap, unlock by turning the key ¼ clockwise, then ¼ counterclockwise, and to protect the paintwork from damage, *withdraw the key* before unscrewing the cap.

13

PREMIUM UNLEADED FUEL ONLY

7

REAR SEAT INSTALLATION INSTRUCTIONS

1. REAR SEAT INSTALLATION INSTRUCTIONS

2. REAR SEAT INSTALLATION INSTRUCTIONS

3. REAR SEAT INSTALLATION INSTRUCTIONS

4. REAR SEAT INSTALLATION INSTRUCTIONS

5. REAR SEAT INSTALLATION INSTRUCTIONS

6. REAR SEAT INSTALLATION INSTRUCTIONS

7. REAR SEAT INSTALLATION INSTRUCTIONS

8. REAR SEAT INSTALLATION INSTRUCTIONS

9. REAR SEAT INSTALLATION INSTRUCTIONS

10. REAR SEAT INSTALLATION INSTRUCTIONS

11. REAR SEAT INSTALLATION INSTRUCTIONS

12. REAR SEAT INSTALLATION INSTRUCTIONS

13. REAR SEAT INSTALLATION INSTRUCTIONS

14. REAR SEAT INSTALLATION INSTRUCTIONS

15. REAR SEAT INSTALLATION INSTRUCTIONS

16. REAR SEAT INSTALLATION INSTRUCTIONS

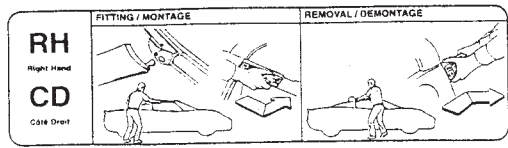
17. REAR SEAT INSTALLATION INSTRUCTIONS

18. REAR SEAT INSTALLATION INSTRUCTIONS

19. REAR SEAT INSTALLATION INSTRUCTIONS

20. REAR SEAT INSTALLATION INSTRUCTIONS

21. REAR SEAT INSTALLATION INSTRUCTIONS



ELISE
19.01

Service Parts List *ELISE*



Function Code 19.01 Labels, Certificates, Literature etc.

<u>Dep</u>	<u>Part Description</u>	<u>Remarks</u>	<u>Option</u>	<u>Part Number</u>	<u>Qty</u>
01	Certificate of Conformity	Contact Lotus Type Approval	All models/markets	Not listed	1
02	Label, shear panel warning			A111A0213F	1
03	Label, tyre loading, (205/50 ZR16 RR tyre)		Australia only	A111U0206F	1
04	Label, tyre loading, (225/45 ZR16 RR tyre)		Australia only	A111U0274F	1
05	Label, VIN (special order only)	In services bay		F075U1186K	1
06	Label, headlamp levelling, 1.5%			B082U7039F	1
07	Label, fuel consumption		Australia only	A111U0006K	1
08	Label, brake fluid warning			A082U7623F	1
09	Label, 'E' mark			C111U0008F	1
09a	Label, 'E' mark		1999 on	D111U0008F	1
09b	Label, 'E' mark		2000 on	E111U0008F	1
10	Cant Rail Fitting Instruction, RH		Prior to VIN: 3332	B111U0242F	1
10a	Cant Rail Fitting Instruction, RH		From VIN: 3332	C111U0242F	1
11	Cant Rail Fitting Instruction, LH		Prior to VIN: 3332	B111U0243F	1
11a	Cant Rail Fitting Instruction, LH		From VIN: 3332	C111U0243F	1
12	Fuel Filler, unlock instructions, black			A111U0257F	1
12a	Fuel Filler, unlock instructions, white			A111U0258F	1
13	Label, premium unleaded fuel			A082U7800F	1

ELISE

Function Code: 19.01, Page: 1

Updated 1st February 2011

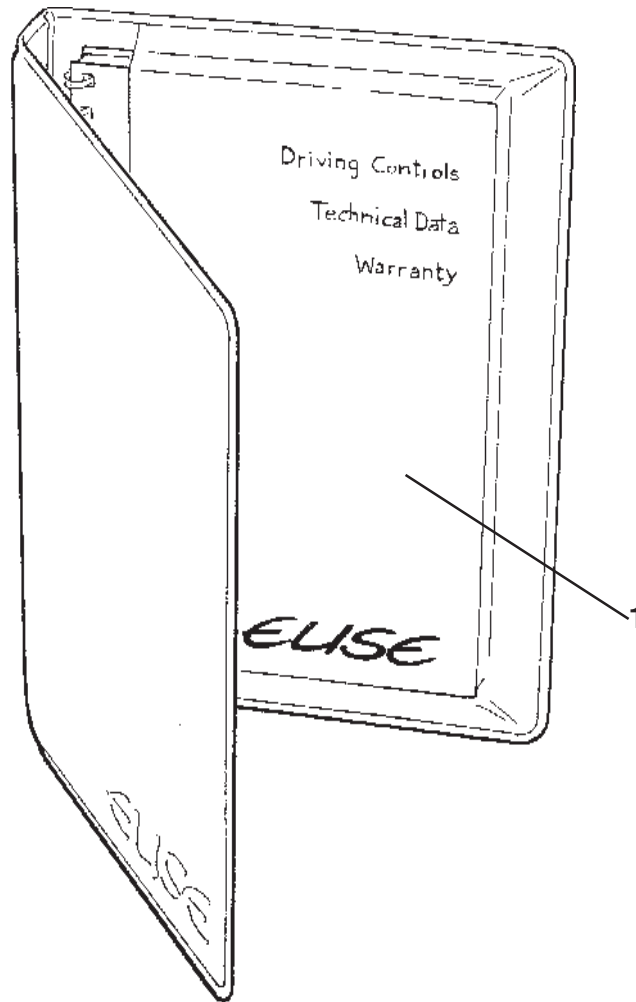
Function Code 19.01 Labels,Certificates, Literature etc.

<u>Dep</u>	<u>Part Description</u>	<u>Remarks</u>	<u>Option</u>	<u>Part Number</u>	<u>Qty</u>
14	Hood Fitting Instruction Card			A111U0241F	1
15	Label, luggage loading			A111U0007F	1
16	Label, vehicle emissions			A111U0318F	1
17	Label, jacking point			A111U0239F	2

ELISE

Function Code: 19.01, Page: 2

Updated 1st February 2011



ELISE
19.03

Service Parts List *ELISE*



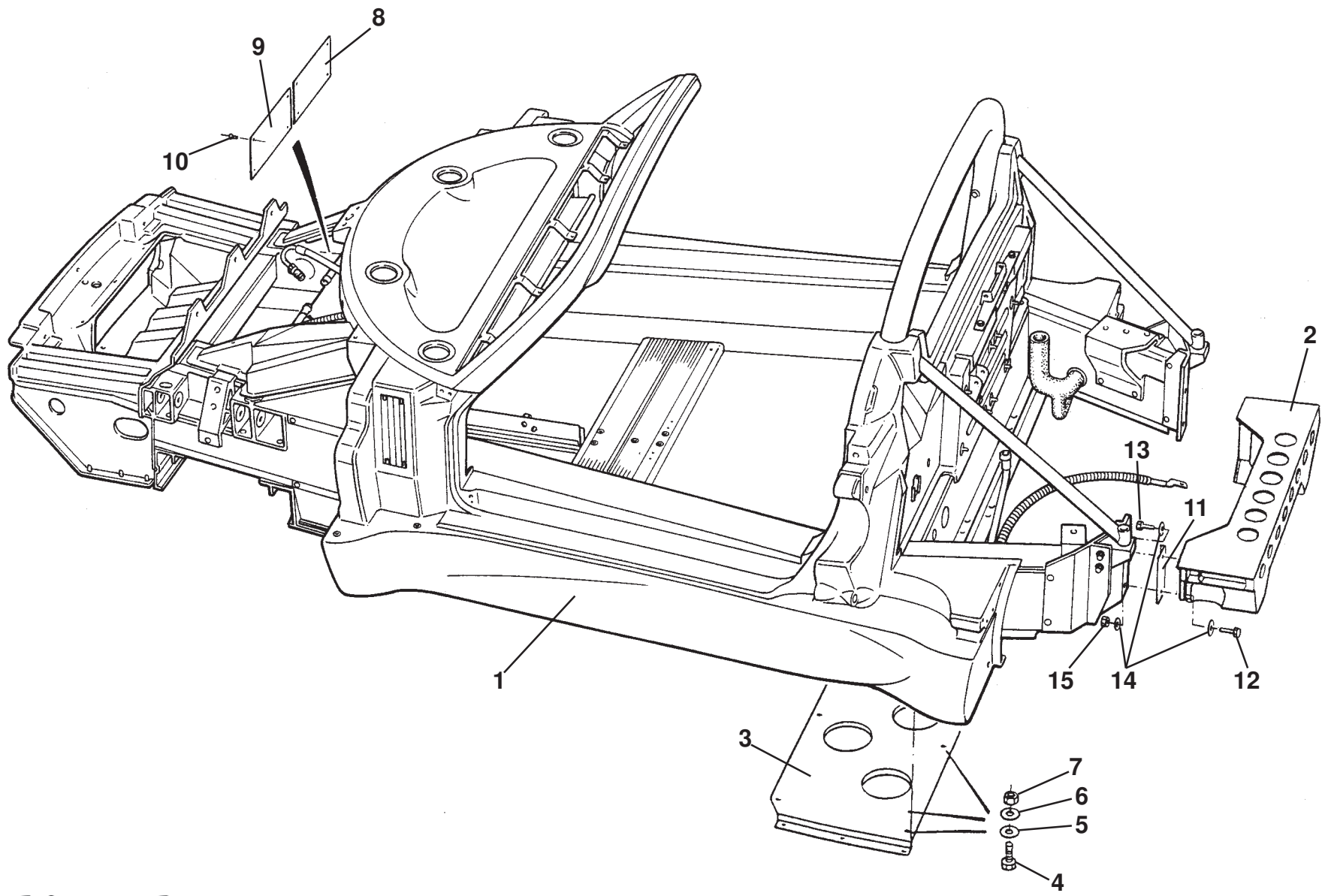
Function Code 19.03 Owner's Handbooks & Service Notes Manuals

<u>Dep</u>	<u>Part Description</u>	<u>Remarks</u>	<u>Option</u>	<u>Part Number</u>	<u>Qty</u>
01	Owners Handbook	Includes maintenance record/dealer directory	All models	C111T0324J	1
01a	Maintenance Schedule	Not illustrated, 9.000 mile intervals		A111T0324/2	1
01b	Maintenance Schedule	Not illustrated, 6.000 mile intervals	Sport 160	B111T0324/2	1
02	User Quick Guide	Not illustrated	Dealer supply	A111T0234/4	1
03	Service Notes	Not illustrated		A111T0327J	1
04	Service Parts List	Not illustrated		A111T0325J	1
05	Service Labour Time Schedule	Not illustrated, incl. 340R & Exige	B11T0328J R/B	D111T0328J	1
06	Handbook Sticker, MIL operation	Not illustrated: See service bulletin 2001/1R	111S	LSL411	1
07	Fitting Instructions, suspension enhancement kit	Not illustrated: see 31.01/03	Standard cars	LSL459	1

ELISE

Function Code: 19.03, Page: 1

Updated 1st February 2021



ELISE
30.01

Service Parts List *ELISE*



Function Code 30.01 Chassis, Subframes

<u>Dep</u>	<u>Part Description</u>	<u>Remarks</u>	<u>Option</u>	<u>Part Number</u>	<u>Qty</u>
01	Partial Body Assembly**	Cars prior to VIN* (see below) will need replacement later type fuel tank, see 44.01	RHD	A111A0230J	1
01a	Partial Body Assembly**	Cars prior to VIN* (see below) will need replacement later type fuel tank, see 44.01	LHD	A111A0229J	1
02	Rear Sub Frame, galvanised	Order rear longerons also, see 30.19	C111A0057F R/B	F111A0057F	1
03	Shear Panel, fuel tank bay closing panel		C111A0065F R/B	D111A0065F	1
04	Screw, M8 x 25, hex. hd., shear panel fix			A111W1156F	10
05	Washer, flat, M8 x 21 x 1.6			A111W4159F	10
06	Washer, flat, M8 x 16.6 x 1.4			A111W4164F	5
07	Nut, nyloc, M8			A907E6284F	5
08	Blanking Panel, RH, toe board air vents		Heater cars	A111P0490K	1
09	Blanking Panel, LH, toe board air vents		Heater cars	A111P0489K	1
10	Pop Rivet, blanking panel fix			A085W6259F	8
11	Shim, chassis to subframe, LH			A111A0217F	1
11a	Shim, chassis to subframe, RH			A111A0216F	1
12	Bolt, M10 x 55, hex. hd.			A111W2181F	2
13	Screw, M10 x 25, hex. hd.			A111W1157F	2
14	Washer, flat, M10 x 20.5 x 1.8			A075W4024Z	8

ELISE

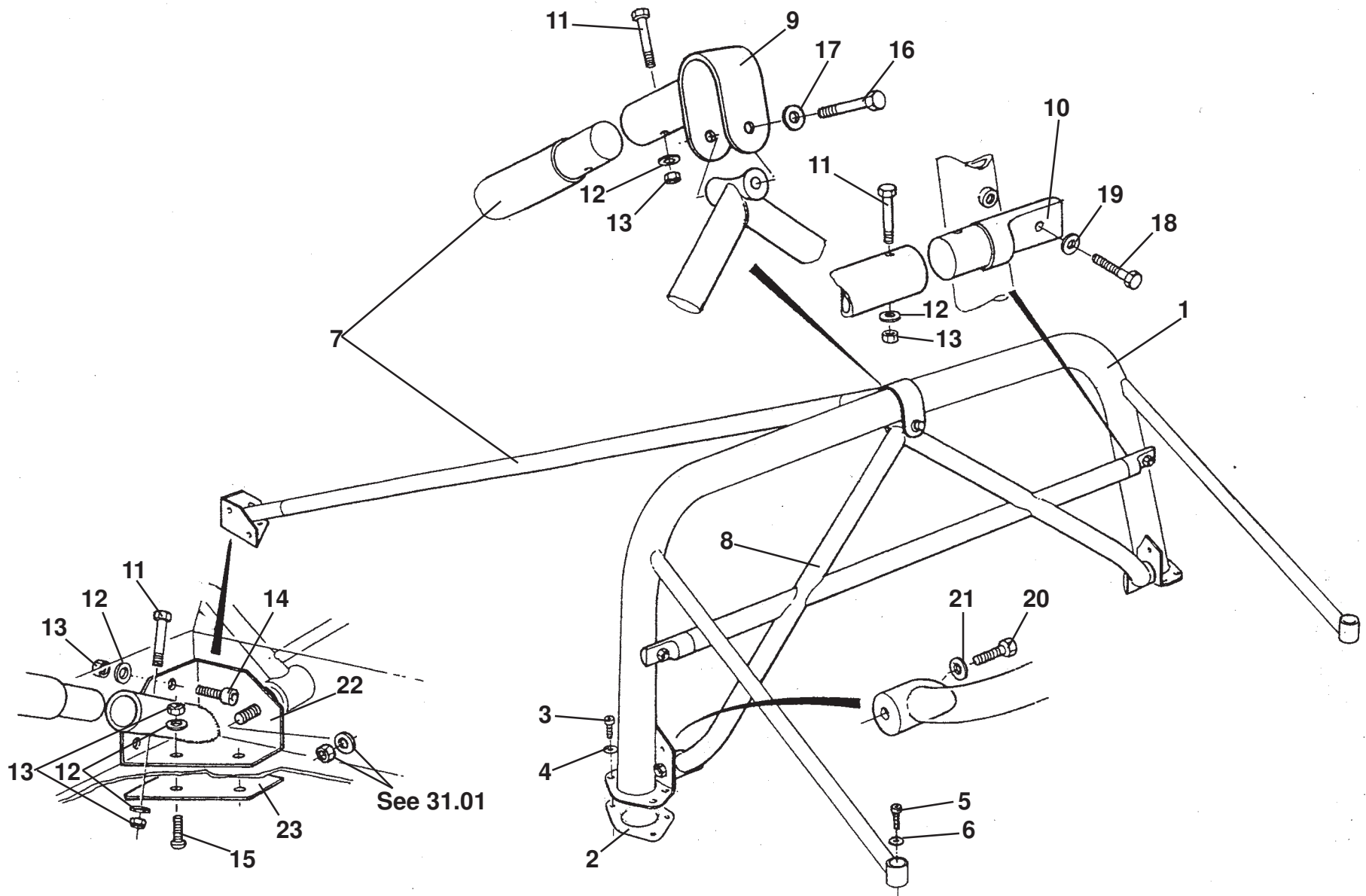
Function Code: 30.01, Page: 1

Updated 2nd March 2015

Function Code 30.01 Chassis, Subframes

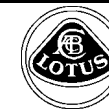
<u>Dep</u>	<u>Part Description</u>	<u>Remarks</u>	<u>Option</u>	<u>Part Number</u>	<u>Qty</u>
15	Nut, M10, flg. hd.			A111W3151F	4
16	Elise Floor Panel Set, front	Not illustrated		A117A0235S	1
16a	Elise Floor Panel, rear	Not illustrated		A117A0236S	3
17	Applicator Gun, Betamate 2800	Not illustrated	Floor panel fixing	A117T0010S	1
17a	Betamate 2800 Kit, 2 x 80ml	Not illustrated	Floor panel fixing	B111B6159V	1
17b	Beatprime 1707, 160ml	Not illustrated	Floor panel fixing	A111B6374V	1
		*VIN: V1685 (approx.) plus 1672, 1673, 1677, 1682. less 1694, 1708			
		**Use order form LSL631			

ELISE**Function Code: 30.01, Page: 2***Updated 2nd March 2015*



ELISE
30.02

Service Parts List *ELISE*



Function Code 30.02 Seat Belt Mounting Frames, Stays

<u>Dep</u>	<u>Part Description</u>	<u>Remarks</u>	<u>Option</u>	<u>Part Number</u>	<u>Qty</u>
01	Roll-Over Bar, black			E111A0074F	1
01a	Roll-Over Bar, silver		Sport 135, 190	E111A0248F	1
02	Shim, base plate			A111A0071F	2
03	Screw, M8 x 25, cap hd.			A111W7132F	8
04	Washer, flat, M8 x 16.6 x 1.4			A075W4020Z	8
05	Screw, M10 x 40 cap hd.			A111W7143F	2
06	Washer, flat, M10 x 20.5 x 1.8			A075W4024Z	2
07	Strut, bar to floor		MOTOR SPORT	A111A0239S	1
08	'A' Frame/Harness Bar		MOTOR SPORT	A111A0234S	1
09	'U' Clamp Spigot, strut to bar, LHD		MOTOR SPORT	A111A0227S	1
09a	'U' Clamp Spigot, strut to bar, RHD		MOTOR SPORT	A111A0226S	1
10	Mounting Spigot, harness bar to roll-over bar		MOTOR SPORT	A111A0224S	2
11	Bolt, M8 x 50, hex. hd.		MOTOR SPORT	A079W1044F	4
12	Washer, flat, M8		MOTOR SPORT	A075W4079F	8
13	Nyloc Nut, M8		MOTOR SPORT	A907E6284F	8
14	Setscrew, M8 x 16, cap hd.		MOTOR SPORT	A075W1036Z	2
15	Setscrew, M8 x 20, pan hd. pozi.		MOTOR SPORT	A075W5095Z	2
16	Bolt, M12 x 80, hex. hd.		MOTOR SPORT	A082W2157F	1

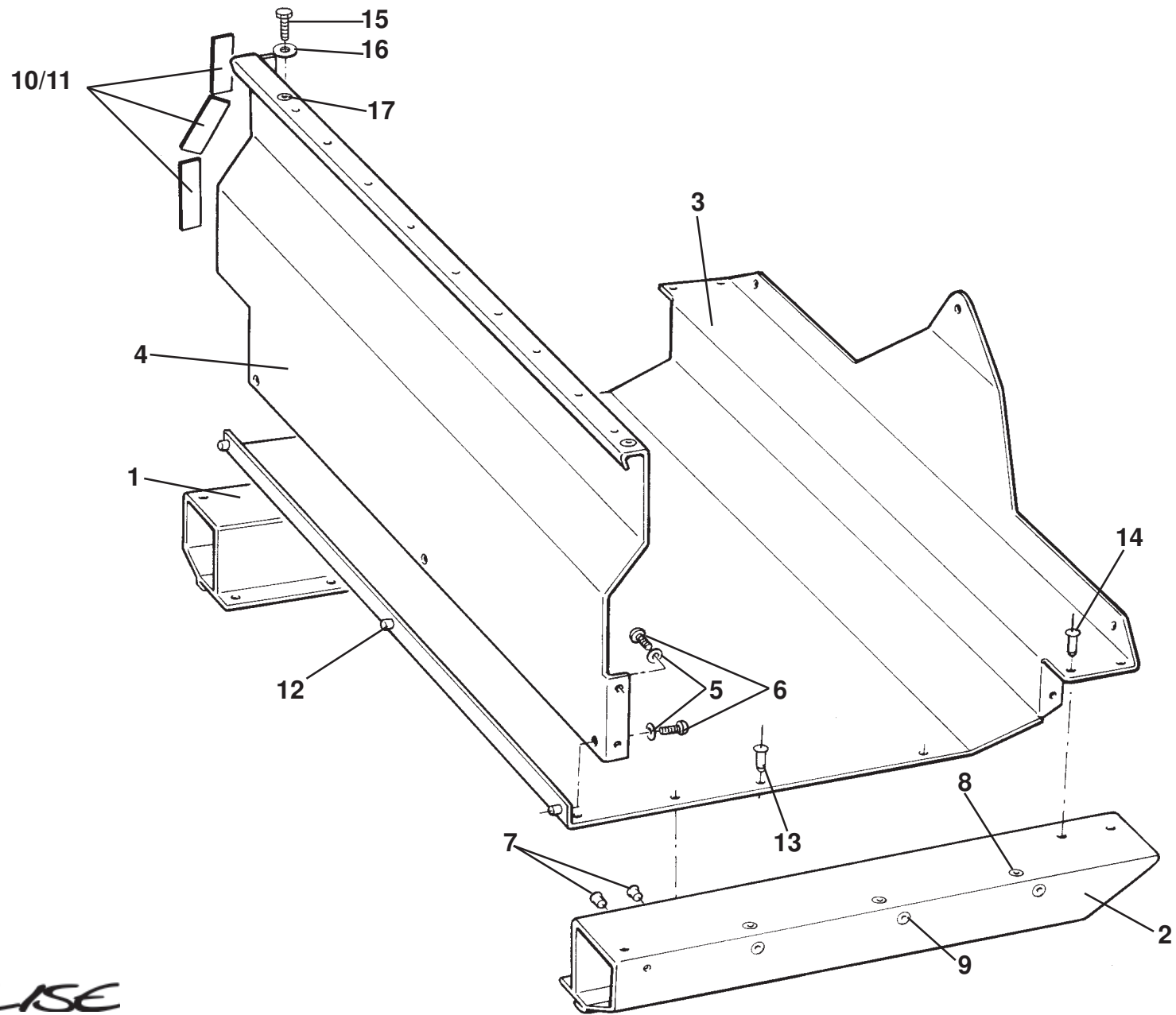
ELISE

Function Code: 30.02, Page: 1

Updated 1st December 2014

Function Code 30.02 Seat Belt Mounting Frames, Stays

<u>Dep</u>	<u>Part Description</u>	<u>Remarks</u>	<u>Option</u>	<u>Part Number</u>	<u>Qty</u>
17	Washer, flat		MOTOR SPORT	A082W4154F	1
18	Bolt, M10 x 75, hex. hd.		MOTOR SPORT	A075W2059Z	2
19	Washer, flat, M10		MOTOR SPORT	A075W4037Z	2
20	Bolt, 7/16" x 25mm, hex. hd.		MOTOR SPORT	A111W2183F	2
21	Washer, flat, 7/16"		MOTOR SPORT	A075W4029F	2
22	Corner Plate, strut to floor, LH footwell (RHD)		MOTOR SPORT	A111A0238S	1
22a	Corner Plate, strut to floor, RH footwell (LHD)		MOTOR SPORT	A111A0237S	1
23	Floor Reinforcing Plate		MOTOR SPORT	A111A0244S	1
24	Roll-Over Bar Reinforcement Kit, RHD	Comprises items 7 to 22	MOTOR SPORT	A111A0246S	1
24a	Roll-Over Bar Reinforcement Kit, LHD	Comprises items 7 to 22	MOTOR SPORT	A111A0245S	1



ELISE
30.19

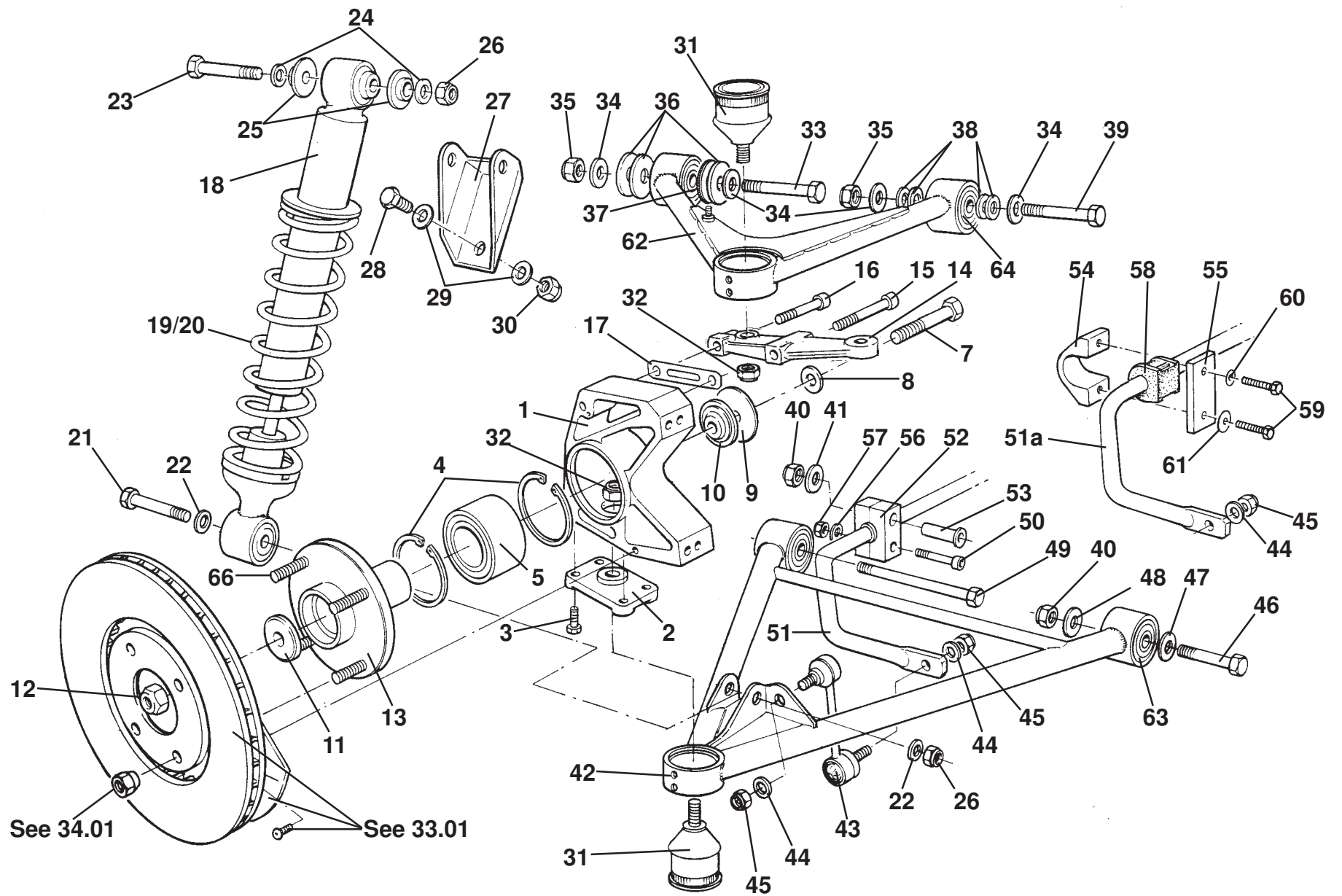
Function Code 30.19 Longerons

<u>Dep</u>	<u>Part Description</u>	<u>Remarks</u>	<u>Option</u>	<u>Part Number</u>	<u>Qty</u>
01	Longeron, alloy boot floor, RH	Required with new subframe	Prior to VIN* (see below)	B111A0060F	1
01a	Longeron, composite boot-box, RH	Required with new subframe	From VIN* (see below)	A111A0266F	1
02	Longeron, alloy boot floor, LH	Required with new subframe	Prior to VIN* (see below)	B111A0061F	1
02a	Longeron, composite boot-box LH	Required with new subframe	From VIN* (see below)	A111A0267F	1
03	Boot Floor, alloy	Fits items: 01/02		G111A0059F	1
04	Boot Bulkhead	Fits items: 01/02		B111B0107F	1
05	Washer, flat, 3/16" x 1/2"			A075W4000Z	7
06	Screw, M5 x 12, button hd., bulkhead fixing			A111W7138F	6
07	Rivnut, M5 x 0.8 countersunk hd			A111W6566H	2
08	Pulsert, M6 flat hd.			A079W6191F	6
09	Rivnut, M6 x 1, countersunk hd.			A111W6536H	8
10	Grip-Lock, self adhesive, loop			A111V6019V	0.15M
11	Grip-Lock, self adhesive, hook			A111V6020V	0.15M
12	Pulsert, M5			A111W6539F	3
13	Pop Rivet, 6.4 x 20, boot floor to longeron	Also logeron to subframe		A111W6593F	6
14	Pop Rivet, 6.4 x 13, boot floor to longeron			A111W6594F	10
15	Screw, M5 x 20, button hd., black			A111W7152F	2
16	Washer, flat, 3/16 x 0.5"			A082W4129F	2
17	Pulsert, M5			A111W6539F	2

Function Code 30.19 Longerons

<u>Dep</u>	<u>Part Description</u>	<u>Remarks</u>	<u>Option</u>	<u>Part Number</u>	<u>Qty</u>
		*VIN: W 4429 (approx.) plus; 4140, 4315, 4365, 4383. less 4653			

ELISE



ELISE
31.01

Service Parts List *ELISE*



Function Code 31.01 Front Suspension, Incl. Hubs

<u>Dep</u>	<u>Part Description</u>	<u>Remarks</u>	<u>Option</u>	<u>Part Number</u>	<u>Qty</u>
01	Hub Carrier Assembly, LH	Including bearing	F111C0029K R/B	A111C0141J	1
01a	Hub Carrier Assembly, RH	Including bearing	F111C0030K R/B	A111C0142J	1
02	Ball Joint Carrier, lower LH			B111C0043F	1
02a	Ball Joint Carrier, lower RH			B111C0042F	1
03	Screw, M10 x 30 hex hd., grade 8.8			A111W1158F	8
04	Circlip, dia 68 mm, bearing retention			A111C6016F	4
05	Bearing, double taper roller			A111C6002F	2
06	Front Hub Clamp Bolt Set	Comprises 07-12, use if M12 set removed, (prior VIN: W 1830)		A111C0137S	2
07	Bolt, M16 x 100, hex. hd., hub retention			A111W2185F	2
08	Washer, flat, M16 x 30 x 2, hub retention			A111W4171F	2
09	Dust Shield, hub bearing			B111C0076F	2
10	Thrust Washer, inner, hub retention			A111C0118F	2
11	Thrust Washer, outer, hub retention			A111C0117F	2
12	Nyloc Nut, M16, hub retention			A111W3159F	2
13	Hub Assembly	Including studs, item 66		A111C6001F	2
14	Steering Arm, LH			A111C0143F	1
14a	Steering Arm, RH			A111C0144F	1
15	Bolt, M10 x 65, cap hd., steering arm to hub carrier			A111W7144F	2

ELISE

Function Code: 31.01, Page: 1

Updated 6th November 2010

Function Code 31.01 Front Suspension, Incl. Hubs

<u>Dep</u>	<u>Part Description</u>	<u>Remarks</u>	<u>Option</u>	<u>Part Number</u>	<u>Qty</u>
16	Bolt, M10 x 45, cap hd., steering arm to hub carrier			A111W7155F	2
17	Shim, 1mm, camber adjustment			A111C0062F	As req.
17a	Shim, 3mm, camber adjustment			C111C0064F	As req.
18	Damper			B111C0007F	2
18a	Damper		MOTOR SPORT	B111C0116S	2
18b	Damper, retro fit, Bilstein	Part of Enhancement Kit	Standard suspension	E117C0007H	2
19	Road Spring, (parallel)		Prior to VIN: W 3580	A111C0074F	2
19a	Road Spring, (barrel)		From VIN: W 3580	A111C0140F	2
19b	Road Spring, retro fit	Part of Enhancement Kit	Standard suspension	A116C0015H	2
20	Road Spring		MOTOR SPORT	A111C0136F	2
21	Bolt, M10 x 55, hex. hd., damper bottom fix.			A079W2057F	2
22	Washer, M10 x 20.5 x 1.8, damper bottom fix.			A075W4024Z	2
23	Bolt, M10 x 70, hex. hd., damper top fix.			A075W2058Z	2
24	Washer, flat, M10 x 20 5 x 1.8, damper top fix.			A075W4024Z	2
25	Spacer, damper to top mounting bracket			A111C0061F	4
26	Nyloc Nut, M10, damper fixings			A100W3112F	4
27	Damper Mounting Bracket, LH	Non AC chassis cars, (47mm hole centre)	Prior to VIN* (see below)	A111C0033F	1
27a	Damper Mounting Bracket, RH	Non AC chassis cars, (47mm hole centre)	Prior to VIN* (see below)	A111C0034F	1
27b	Damper Mounting Bracket, LH	AC commonisation chassis cars, (67mm hole centre)	From VIN* (see below)	B111C0033F	1

ELISE**Function Code: 31.01, Page: 2***Updated 6th November 2010*

Function Code 31.01 Front Suspension, Incl. Hubs

<u>Dep</u>	<u>Part Description</u>	<u>Remarks</u>	<u>Option</u>	<u>Part Number</u>	<u>Qty</u>
27c	Damper Mounting Bracket, RH	AC commonisation chassis cars, (47mm hole centre)	From VIN* (see below)	B111C0034F	1
28	Bolt, M8 x 25, hex, hd., bracket to chassis			A111W1156F	4
29	Washer, flat, M8 x 16.6, bracket to chassis			A111W4164F	4
30	Nyloc Nut, M8, bracket to chassis			A075W3010Z	4
31	Ball Joint	Includes nyloc nut	A111C6012F R/B	B111C6012F	4
32	Nyloc Nut, ball joint fix			A111C6019S	2
33	Pivot Bolt, M10 x 80, hex. hd., wishbone upper front			A075W2061Z	2
34	Washer, flat, M10 x 20.5 x 1.8,			A075W4024Z	8
35	Nut, nyloc, M10, wishbone upper to chassis			A100W3112F	4
36	Shim, castor adjustment			A111C0077F	6
37	Snubber Washer, rubber coated, upper wishbone			A111C0081F	2
38	Shim, castor adjustment, small			A111C0080F	8
39	Pivot Bolt, M10 x 75mm, hex. hd., wishbone upper rear			A075W2059Z	2
40	Nut, nyloc, M10, wishbone lower to chassis fix			A100W3112F	4
41	Washer, flat, M10 x 20.5 x 1.8,			A075W4024Z	4
42	Wishbone Assembly, lower, LH	Includes balljoint & bushes		A111C0115J	1
42a	Wishbone Assembly, lower, RH	Includes balljoint & bushes		A111C0114J	1
43	Anti-Roll Bar Drop Link			A111C0063F	2
44	Washer, flat, M10 x 24 x 1.5, drop link fix			A075W4023F	2
45	Nyloc Nut, M10 x 1.25, drop link fix			A111W3152F	2

ELISE

Function Code: 31.01, Page: 3

Updated 6th November 2010

Function Code 31.01 Front Suspension, Incl. Hubs

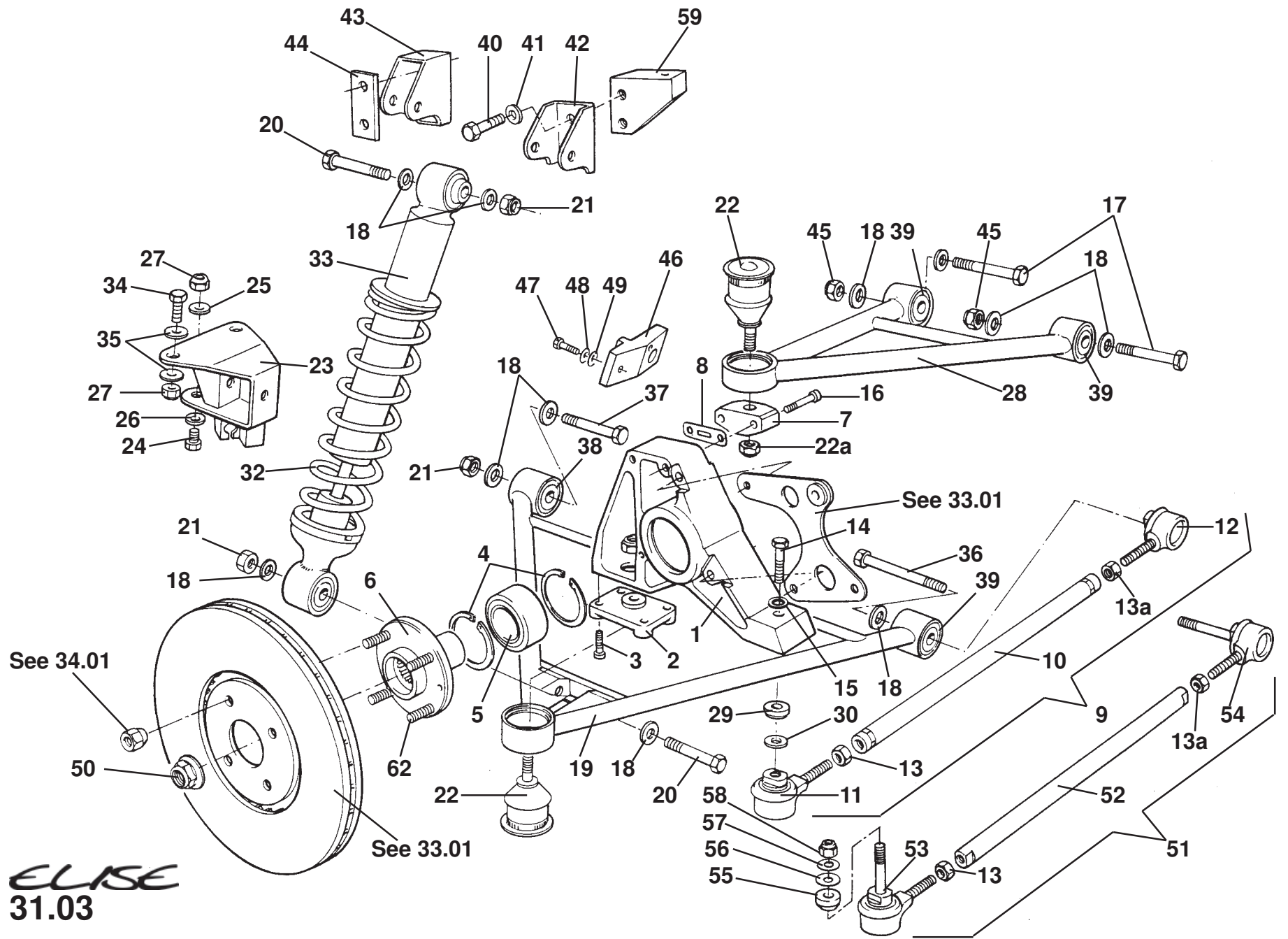
<u>Dep</u>	<u>Part Description</u>	<u>Remarks</u>	<u>Option</u>	<u>Part Number</u>	<u>Qty</u>
46	Pivot Bolt, M10 x 85, hex. hd., wishbone lower	Lower front, used with rubber A/R bar pivot bushes	From VIN: W3039	A079W2063F	4
47	Washer, flat, M10 x 20.5 x 1.8			A075W4024Z	4
48	Washer, flat, M10			A111W4163F	6
49	Pivot Bolt, , M10 x 130, hex. hd., wishbone lower front	Used with nylon A/R bar pivot blocks	Prior to VIN: W 3039, & MOTORSPORT	A075W2065F	2
50	Bolt, M5 x 45, cap hd., A/R bar pivot block fix			A082W2106F	2
51	Anti-Roll Bar, uses nylon pivot blocks		Prior to VIN: W 3039	A111C0054F	1
51a	Anti-Roll Bar, uses rubber pivot blocks		From VIN: W3039	A111C0111F	1
51b	Anti-Roll Bar, sport (adjustable)	Uses nylon pivot blocks: see S/N section XA	MOTOR SPORT	A111C0134S	1
52	Mounting Clamp, nylon, A/R bar		Prior to VIN: W 3039	B111C0052F	2
53	Bush, 'top hat', A/R bar nylon pivot block		Prior to VIN: W 3039	A111C0060F	2
54	Clamp Bracket, A/R bar		From VIN: W 3039	A111C0107F	2
55	Spacer Plate, A/R bar fixing		From VIN: W 3039	A111C0109F	2
56	Washer, flat, M5 x 10 x 1, A/R bar nylon pivot block		Prior to VIN: W 3039	A075W4011Z	2
57	Nyloc Nut, M5, A/R bar, nylon pivot block		Prior to VIN: W 3039	A100W3113F	2
58	Pivot Bush, rubber, A/R bar.		From VIN: W 3039	A111C0094F	2
59	Screw, M8 x 30, A/R bar clamp bracket fixing		From VIN: W 3039	A111W1161F	4
60	Washer, flat, M8		From VIN: W 3039	A111W4169F	2
61	Washer, flat, M8 x 25 x 1.4		From VIN: W 3039	A111W4156F	2
62	Wishbone assembly, upper LH	Includes balljoint & bushes		A111C0113J	1

ELISE**Function Code: 31.01, Page: 4***Updated 6th November 2010*

Function Code 31.01 Front Suspension, Incl. Hubs

<u>Dep</u>	<u>Part Description</u>	<u>Remarks</u>	<u>Option</u>	<u>Part Number</u>	<u>Qty</u>
62a	Wishbone assembly, upper RH	Includes balljoint & bushes		A111C0112J	1
63	Bush, lower wishbone/upper wishbone front pivots		A111C0075F R/B	A116C0068F	6
64	Bush, upper wishbone rear pivot			A111C0108F	2
65	Sport Spring/Damper Kit, front and rear	Not illustrated	MOTOR SPORT	A111C0138S	1
66	Wheel Stud, 36mm protrusion	Elise wheels only, part of hub		A111C6020S	8
67	Enhancement Kit, Eibach springs/Bilstein dampers	Elise 2001 based enhancement	Standard suspension	A111C0148S	1
67a	Spring/Damper Assembly, front, upgrade kit	Not illus. Part of kit: item 67	Standard suspension	A117C0052F	2
68	Duralac, jointing compound	Use between steering arm & hub carrier		A111C6017S	125ml
		*VIN: V 1685 (approx.) plus 1672, 1673, 1677, 1682. less 1694, 1708			

ELISE**Function Code: 31.01, Page: 5***Updated 6th November 2010*



ELISE
31.03

Service Parts List *ELISE*



Function Code 31.03 Rear Suspension, Incl. Hubs

<u>Dep</u>	<u>Part Description</u>	<u>Remarks</u>	<u>Option</u>	<u>Part Number</u>	<u>Qty</u>
01	Hub Carrier Assembly, LH	Including bearing		A111D0139J	1
01a	Hub Carrier Assembly, RH	Including bearing		A111D0138J	1
02	Ball Joint Carrier, lower			B111D0049F	2
03	Screw, M10 x 30 hex. hd.,ball joint carrier to hub carrier			A111W1158F	8
04	Circlip			A111C6016F	4
05	Bearing			A111C6002F	2
06	Hub Assembly	Including studs, item 62		A111C6001F	2
07	Upper Ball Joint Carrier	May use A117D0067F		B111D0055F	2
07a	Upper Ball Joint Carrier	Increase negative camber	MOTOR SPORT	A111D0128S	2
08	Shim, camber adjustment			B111D0052F	As req.
08a	Shim, camber adjustment		MOTOR SPORT	D111D0052F	As req.
09	Toe Link Assembly		B111D0037J R/B item 51 *	C111D0037J	2
10	Toe Link Rod		A111D0050K R/B item 52 *	A111D0137F	2
11	Ball Joint, tapped type, outer RH thread	Check for RH thread before ordering	A111D0064F R/B item 53 Ball Joint Kit, stud type *	A111D0140J	2
12	Ball Joint, tapped type, inner, LH thread	Check for LH thread before ordering	A111D0063F R/B item 54 Ball Joint Kit, stud type *	A111D0141J	2
13	Locknut, M12, RH thread, ball joint			A111W3150F	2
13a	Locknut, M12, LH thread, ball joint			A111W3149F	2

ELISE

Function Code: 31.03, Page: 1

Updated 5th December 2016

Function Code 31.03 Rear Suspension, Incl. Hubs

<u>Dep</u>	<u>Part Description</u>	<u>Remarks</u>	<u>Option</u>	<u>Part Number</u>	<u>Qty</u>
14	Bolt, M10 x 65, hex. hd., hub carrier to track control arm	4 or 5 shim washers *		A111D0065F	2
14a	Bolt M10 x 60, hex. hd., hub carrier to track control arm	1,2 or 3 shim washers *		A111D0054F	2
15	Washer, flat, M10 x 1.8, beneath bolt head	1,2,3 or 5 shim washers *		A111W4163F	2
15a	Washer, flat, M10 x 3, beneath bolt head	4 shim washers *		A111W4180F	2
16	Bolt, M10 x 50, cap hd., ball joint carrier to hub carrier			A111W7145F	4
17	Pivot Bolt, M10 x 55, hex. hd., upper wishbone F & R			A079W2057F	4
18	Washer, M10, flat			A075W4024Z	22
19	Lower Wishbone Assembly, LH	Includes balljoint & bushes	A111D0005F R/B	A111D0087J	1
19a	Lower Wishbone Assembly, RH	Includes balljoint & bushes	A111D0006F R/B	A111D0088J	1
20	Bolt, M10 x 55, hex, hd., spring/damper fixing			A079W2057F	4
21	Nyloc Nut, M10			A100W3112F	10
22	Ball Joint	Includes nyloc nut	A111C6012F R/B	B111C6012F	4
22a	Nyloc Nut, ball joint			A111C6019S	4
23	Bracket, wishbone to chassis, LH			B111D0027F	1
23a	Bracket, wishbone to chassis, RH			B111D0026F	1
24	Bolt, bracket to chassis			A111W1156F	2
25	Washer, flat, upper, M8 x 20.5 x 1.5			A111W4176F	2
26	Washer, flat, lower, M8 x 16.6 x 1.4			A111W4164F	2
27	Nyloc Nut, M8, thin			A907E6284F	4
28	Upper Wishbone Assembly, LH	Includes balljoint & bushes	B111D0004F R/B	A111D0085J	1
28a	Upper Wishbone Assembly, RH	Includes balljoint & bushes	B111D0004F R/B	A111D0086J	1

ELISE

Function Code: 31.03, Page: 2

Updated 5th December 2016

Function Code 31.03 Rear Suspension, Incl. Hubs

<u>Dep</u>	<u>Part Description</u>	<u>Remarks</u>	<u>Option</u>	<u>Part Number</u>	<u>Qty</u>
29	Spacer, conical, track control arm to hub carrier			A111D0043F	2
30	Shim, bump steer adjustment			A111D0044F	As req.
31	Washer, flat, 10 x 21 x 2			A111W4163F	2
32	Road spring, (parallel)		Prior to VIN: W3580	B111D0057F	2
32a	Road Spring, (barrel)		From VIN: W3580	A111D0133F	2
32b	Road Spring		MOTOR SPORT	A111D0132F	2
32c	Road Spring, retro fit	Part of Enhancement Kit	Standard suspension	A117D0056H	2
33	Damper			B111D0003F	2
33a	Damper		MOTOR SPORT	B111D0089F	2
33b	Damper, retro fit, Bilstein	Part of Enhancement Kit	Standard suspension	E117D0009H	2
34	Screw, M10 x 25, hex. hd., bracket to chassis			A111W1157F	2
35	Washer, flat M10			A111W4163F	4
36	Pivot Bolt, M10 x 70, hex. hd., lower wishbone/toe link fix.			A111D0053F	2
37	Pivot Bolt, M10 x 65, hex. hd., lower wishbone front			A075W2056Z	2
38	Bush, lower wishbone front pivot (short)	2 per wishbone		A111D0061F	4
39	Bush, lower wishbone rear / upper wishbones		A111C0075F R/B	A116C0068F	6
40	Screw, M10 x 30, hex. hd., damper bracket to chassis			A111W1158F	4
41	Washer, flat, M10	Not used with spreader plate	Original parallel spring bracket	A075W4024Z	4
42	Bracket, damper top mount	Parallel springs (uprated bracket)	C111D0022F R/B	A111D0159F	2

ELISE

Function Code: 31.03, Page: 3

Updated 5th December 2016

Function Code 31.03 Rear Suspension, Incl. Hubs

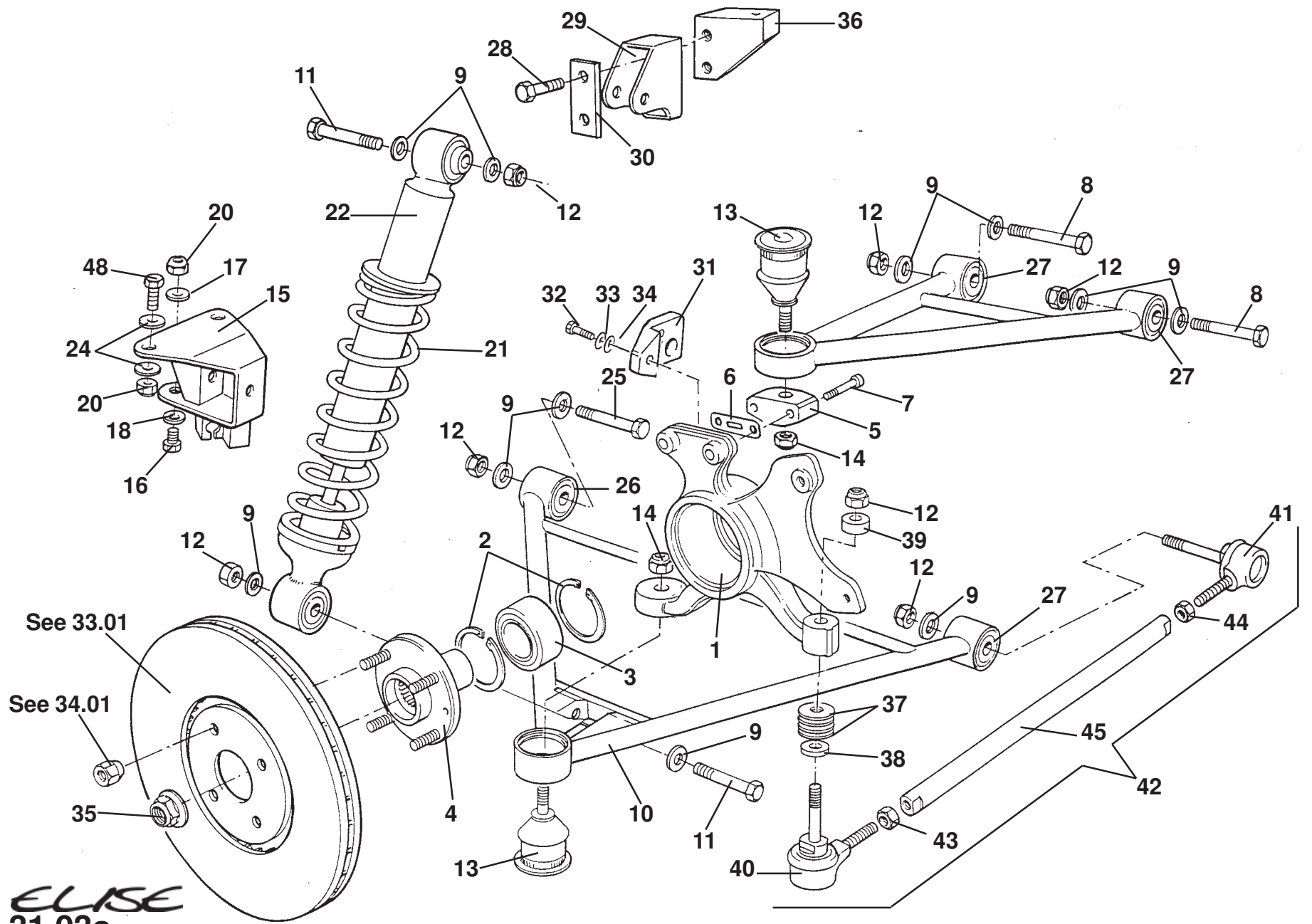
<u>Dep</u>	<u>Part Description</u>	<u>Remarks</u>	<u>Option</u>	<u>Part Number</u>	<u>Qty</u>
43	Bracket, damper top mount	Barrel springs, plus sport suspension, (could use A117D0058F)	MOTOR SPORT, plus VIN: W3580 on	A111D0076F	2
43a	Bracket, damper top mount, retro fit	Part of Enhancement Kit	Standard suspension	A117D0077F	2
44	Spreader Plate, damper bracket	Use with all brackets	All cars	A111D0125F	2
45	Flange Nut, M10			A111W3151F	4
46	Speed Sensor Bracket			B111D0024F	1
47	Setscrew, bracket to hub carrier			A075W1029Z	1
48	Washer, spring M6			A075W4035Z	1
49	Washer, flat M6			A075W4013Z	1
50	Flange Nut, hub securing			A100R6002F	2
51	Toe Link Assembly	Includes items 52/53/54 (refer to SB 2003/11)		C111D0037J	2
52	Toe Link Rod	(refer to SB 2003/11)		A111D0137F	2
53	Ball Joint, stud type (outer) RH thread, 60mm long stud	Check for RH thread before ordering		A117D0074S	2
54	Ball Joint, stud type (inner) LH thread, 60mm long stud	Check for LH thread before ordering		A117D0090S	2
55	Spacer, conical, track control arm to hub carrier	Used with stud type ball joint		B111D0043F	2
56	Shim, bump steer adjustment	Used with stud type ball joint		A111D0136F	As req.
57	Washer, flat M10 x 20.5 x 1.8	Used with stud type ball joint		A111W4163F	2
58	Nyloc Nut, M10	Used with stud type ball joint		A075W3011Z	2
59	Adaptor Block, bracket to chassis, LH			A111A0003F	1

ELISE

Function Code 31.03 Rear Suspension, Incl. Hubs

<u>Dep</u>	<u>Part Description</u>	<u>Remarks</u>	<u>Option</u>	<u>Part Number</u>	<u>Qty</u>
59a	Adaptor Block, bracket to chassis,RH			A111A0002F	1
60	Uniball Rear Toe Link Kit, alloy hub carrier	Not illustrated, see section 3103b	MOTOR SPORT	A111D0127S	1
61	Uniball Rear Toe Link Kit, steel hub carrier	Not illustrated, see section 3103b	MOTOR SPORT	B111D0127S	1
62	Wheel Stud, 36mm protrusion	Elise wheels only, part of hub		A111C6020S	8
63	Enhancement Kit, Eibach springs/Bilstein dampers	Elise 2001 based enhancement	Standard suspension	A111C0148S	1
63a	Spring/Damper Assembly, rear	Not illus. Part of kit: item 63	Standard suspension	C117D0038F	2
64	Duralac, jointing compound	Use between BJ carrier and hub carrier		A111C6017S	125ml
		* Refer to Service Notes, Section DF.4			

ELISE**Function Code: 31.03, Page: 5***Updated 5th December 2016*



ELISE
31.03a

Service Parts List *ELISE*



Function Code 31.03a Rear Suspension Incl. Hubs, Steel Hub Carrier

<u>Dep</u>	<u>Part Description</u>	<u>Remarks</u>	<u>Option</u>	<u>Part Number</u>	<u>Qty</u>
01	Hub Carrier, forged steel, LH	Excluding bearings		A111D0143K	1
01a	Hub Carrier, forged steel, RH	Excluding bearings		A111D0142K	1
02	Circlip			A111C6016F	4
03	Bearing			A111C6002F	2
04	Hub Assembly	Including studs		A111C6001F	2
05	Ball Joint Carrier	May use A117D0067F		B111D0055F	2
06	Shim, camber adjustment			B111D0052F	As req.
07	Bolt, M10 x 50, cap hd., ball joint carrier to hub carrier			A111W7145F	4
08	Pivot Bolt, M10 x 55, hex. hd., upper wishbone F & R			A079W2057F	4
09	Washer, flat, M10 x 20.5	Zinc finish		A075W4024Z	22
10	Lower Wishbone Assembly, LH	Includes balljoint & bushes		A111D0087J	1
10a	Lower Wishbone Assembly, RH	Includes balljoint & bushes		A111D0088J	1
11	Bolt, M10 x 55, hex. hd., spring/damper fixing			A079W2057F	4
12	Nyloc Nut, M10			A100W3112F	14
13	Ball Joint	Includes nyloc nut		B111C6012F	4
14	Nyloc Nut, balljoint			A111C6019S	4
15	Bracket, lower wishbone to chassis, LH			B111D0027F	1
15a	Bracket, lower wishbone to chassis, RH			B111D0026F	1

ELISE

Function Code: 31.03a, Page: 1

Updated 3rd November 2014

Function Code 31.03a Rear Suspension Incl. Hubs, Steel Hub Carrier

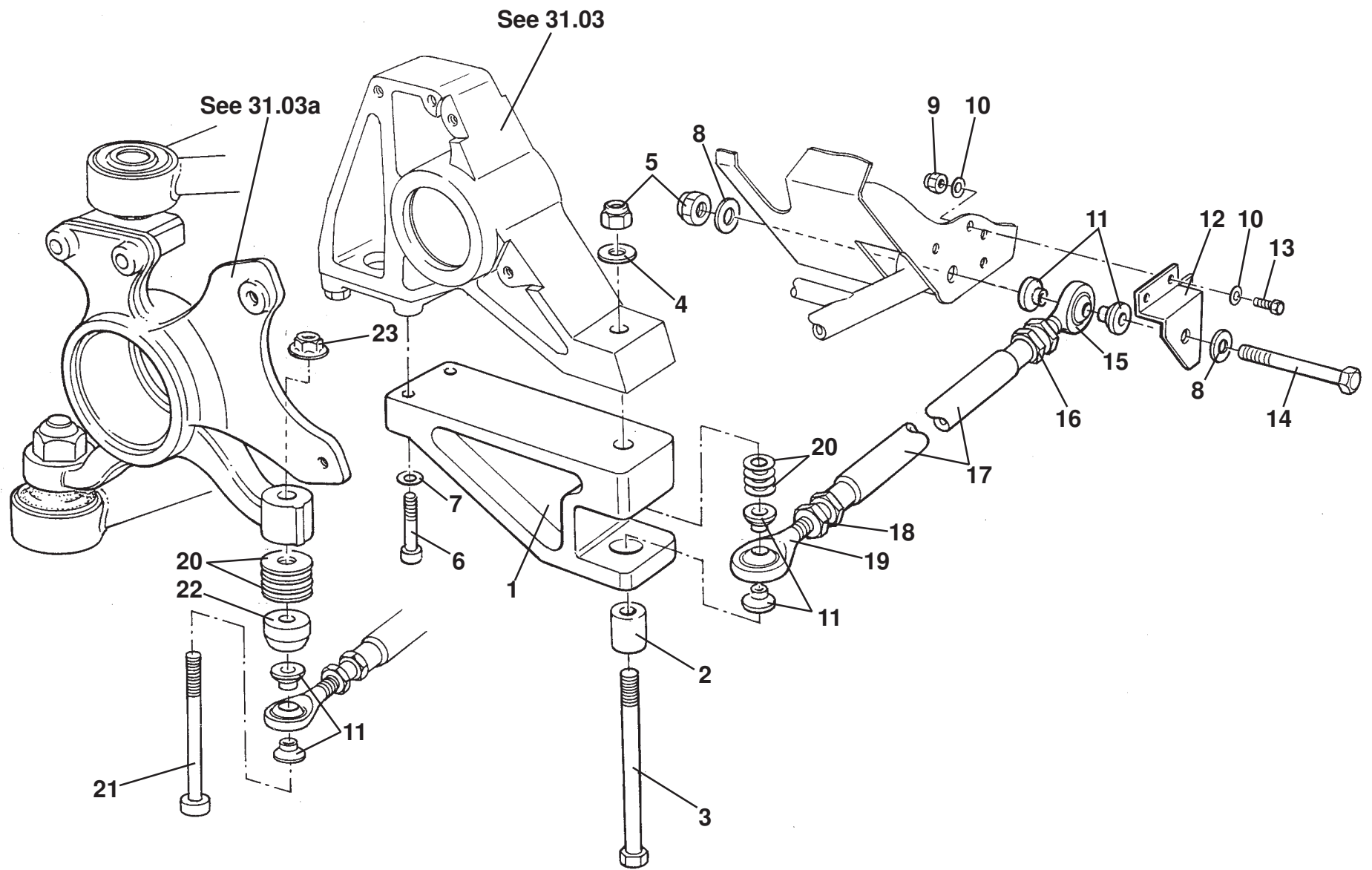
<u>Dep</u>	<u>Part Description</u>	<u>Remarks</u>	<u>Option</u>	<u>Part Number</u>	<u>Qty</u>
16	Bolt, M8, bracket to chassis			A111W1156F	2
17	Washer, flat, upper, M8 x 20.5 x 1.5 S/S			A111W4176F	2
18	Washer. flat. lower, M8 x 16.6 x1.4			A111W4164F	2
20	Upper Wishbone Assembly, LH	Includes balljoint & bushes		A111D0085J	1
20a	Upper Wishbone Assembly, RH	Includes balljoint & bushes		A111D0086J	1
21	Road Spring			A111D0133F	2
21a	Road Spring		MOTOR SPORT	A111D0132F	2
21b	Road Spring, retro fit	Part of Enhancement Kit	Standard suspension	A117D0056H	2
22	Damper			B111D0003F	2
22a	Damper		MOTOR SPORT	B111D0089S	2
22b	Damper, retro fit, Bilstein	Part of Enhancement Kit	Standard suspension	E117D0009H	2
23	Screw, M10 x 25, hex. hd., bracket to chassis			A111W1157F	2
24	Washer, flat, M10			A111W4163F	4
25	Pivot Bolt, M10 x 65, hex. hd., lower wishbone front			A075W2056Z	2
26	Bush, lower wishbone front pivot (short)	2 per wishbone		A111D0061F	4
27	Bush, lower wishbone rear/upper wishbones			A111C0075F	6
28	Screw, M10 x 30, hex. hd., damper bracket to chassis			A111W1158F	4
29	Bracket, damper top mount	Could also use A117B0058F		A111D0076F	2
29a	Bracket, damper top mount, retro fit	Part of Enhancement Kit	Standard suspension	A117D0077F	2
30	Spreader Plate, damper bracket			A111D0125F	2
31	Speed Sensor Mounting Bracket			A111D0148F	1

ELISE**Function Code: 31.03a, Page: 2****Updated 3rd November 2014**

Function Code 31.03a Rear Suspension Incl. Hubs, Steel Hub Carrier

<u>Dep</u>	<u>Part Description</u>	<u>Remarks</u>	<u>Option</u>	<u>Part Number</u>	<u>Qty</u>
32	Setscrew, M6 x 25, bracket fix.			A075W1029Z	1
33	Washer, spring, M6			A075W4035Z	1
34	Washer, flat, M6			A075W4013Z	1
35	Flange Nut, hub securing			A100R6002F	2
36	Adaptor Block, bracket to chassis, LH			A111A0003F	1
36a	Adaptor Block, bracket to chassis, RH			A111A0002F	1
37	Shim, 1mm, bump steer adjustment			A111D0044F	8
38	Spacer, 3mm, toe link to hub carrier			A111D0146F	2
39	Spacer, 10mm, toe link stud to nut			A111D0147F	2
40	Ball Joint, outer, RH thread, 60mm long stud	Could use B111D0134F 45mm stud and discard item 39 (refer to SB 2001/06)		A111D0134F	2
41	Ball Joint, inner, LH thread, 60mm long stud			A111D0135F	2
42	Toe Link Assembly	Refer to SB 2003/11		C111D0037J	2
43	Locknut, M12, RH thread, ball joint to rod			A111W3150F	2
44	Locknut, M12, LH thread, ball joint to rod			A111W3149F	2
45	Toe Link Rod			A111D0137F	2
46	Enhancement Kit, Eibach springs/Bilstein dampers	Elise 2001 based enhancement	Standard suspension	A111C	1
46a	Spring/Damper Assembly, rear	Not illus. Part of kit: item 46	Standard suspension	C117D0038F	2

ELISE



ELISE
31.03b

Service Parts List *ELISE*



Function Code 31.03b Uniball Rear Toe Link Kit (MOTORSPORT)

<u>Dep</u>	<u>Part Description</u>	<u>Remarks</u>	<u>Option</u>	<u>Part Number</u>	<u>Qty</u>
01	Mounting Bracket, alloy, uniball toe link to hub carrier	For alloy hub carrier kit	Prior to VIN* (see below)	A111D0126S	2
02	Sliding Spacer, mounting bracket	For alloy hub carrier kit	Prior to VIN* (see below)	A111D0129S	2
03	Bolt, M10 x 110, hex. hd., toe link/brkt. to hub carrier	For alloy hub carrier kit	Prior to VIN* (see below)	A075W2066F	2
04	Washer, flat M10 x 20.5, toe link/brkt. to hub carrier	Black finish, alloy hub carrier kit	Prior to VIN* (see below)	A111W4163F	2
05	Nyloc Nut, M10			A100W3112F	4
06	Bolt, M10 x 45, cap hd., bracket/ball joint carrier fix.			A111W7160F	4
07	Washer, flat, M10			A111C0080F	4
08	Washer, flat, M10 x 20.5 x 1.8	Zinc finish		A075W4024Z	4
09	Nyloc Nut, M6, support bracket to chassis			A075W3009Z	8
10	Washer, M6 x 12.1 x 1.4, support bracket to chassis			A075W4013Z	16
11	Conical Spacer, uniball pivots			A111D0092S	8
12	Support Bracket , toe link to chassis	For subframes without weldnuts		A111D0099S	2
12a	Support Bracket/Heatshield , toe link to chassis, LH	For subframes with weldnuts		A111D0153F	1
12b	Support Bracket , toe link to chassis, LH	For subframes with weldnuts	340R only	A340D0011F	1
12c	Support Bracket , toe link to chassis, RH	For subframes with weldnuts	Including 340R	B111D0100F	1
13	Setscrew, M6 x 16, support bracket to chassis			A075W1028Z	8
14	Bolt, M10 x 20.5, wishbone/toe link inboard pivot			A075W2060Z	2
15	Uniball Bearing, LH thread			A111D6009S	2

ELISE

Function Code: 31.03b, Page: 1

Updated 6th November 2010

Function Code 31.03b Uniball Rear Toe Link Kit (MOTORSPORT)

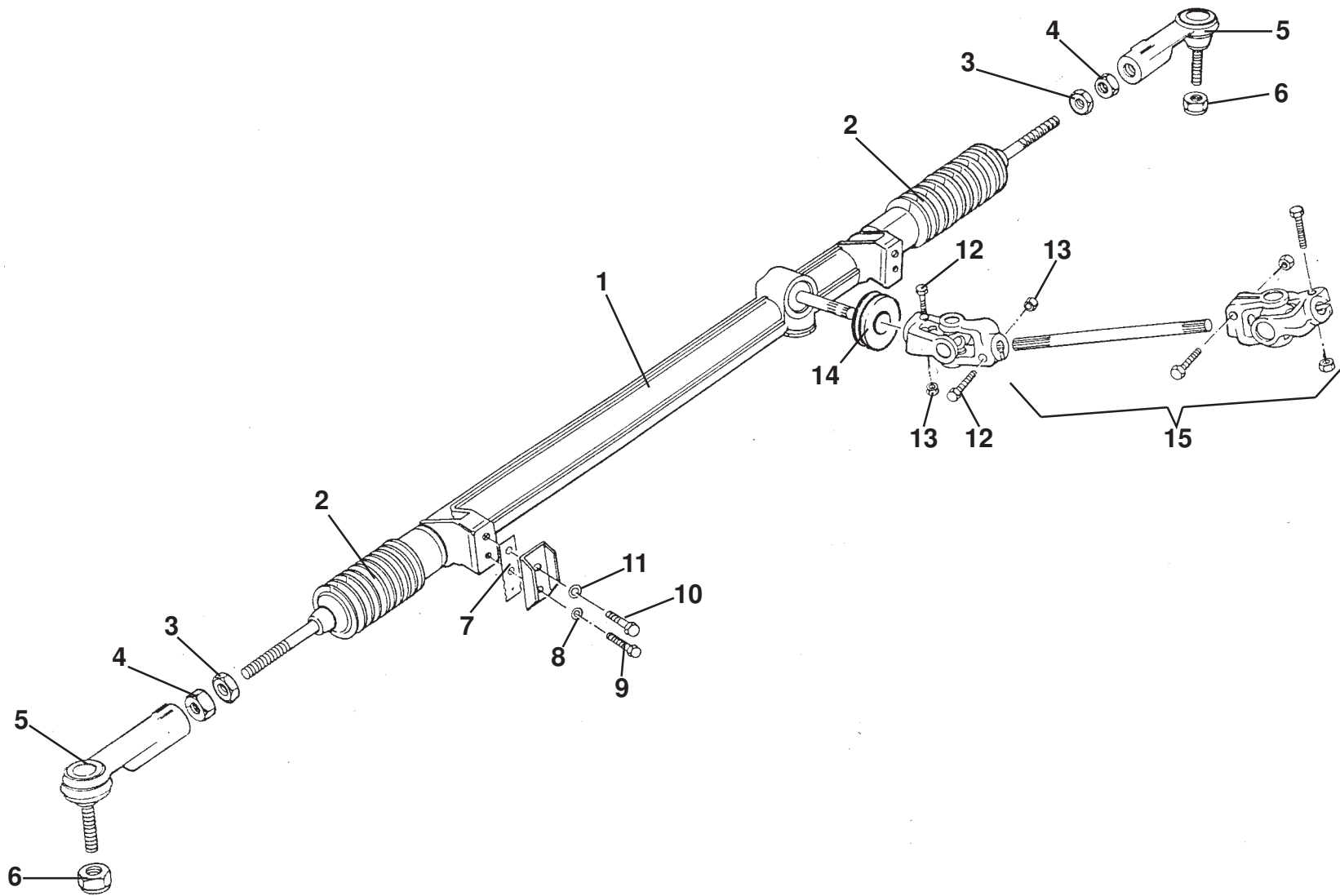
<u>Dep</u>	<u>Part Description</u>	<u>Remarks</u>	<u>Option</u>	<u>Part Number</u>	<u>Qty</u>
16	Lock Nut ½" UNF, LH thread			A111W3160F	2
17	Toe Link			A111D0097S	2
18	Lock Nut ½" UNF, RH thread			A075W3017Z	2
19	Uniball Bearing, RH thread			A111D6010S	2
20	Shim, 1mm, bump steer adjustment			A111D0044F	8
21	Bolt, M10 x 80, toe link to hub carrier	For steel hub carrier kit	From VIN* (see below)	A111W7184F	2
22	Spacer, toe link to hub carrier	For steel hub carrier kit	From VIN* (see below)	B111D0043F	2
23	Nut, M10 x 1.5, kaylock, toe link to hub carrier	For steel hub carrier kit	From VIN* (see below)	A089W3082F	2
24	Uniball Toe Link Kit, alloy hub carrier		Prior to VIN* (see below)	A111D0127S	1
25	Uniball Toe Link Kit, steel hub carrier		From VIN* (see below)	B111D0127S	1

*VIN: X8155 (approx.), plus 2000
MY cars, starting VIN: Y0001

ELISE

Function Code: 31.03b, Page: 2

Updated 6th November 2010



ELISE
32.01

Service Parts List *ELISE*



Function Code 32.01 Rack & Pinion, & Lower Column

<u>Dep</u>	<u>Part Description</u>	<u>Remarks</u>	<u>Option</u>	<u>Part Number</u>	<u>Qty</u>
01	Steering Rack Assembly, RHD		D111H0010F R/B	A117H0052F	1
01a	Steering Rack Assembly, LHD		D111H0009F	A117H0053F	1
02	Gaiter, steering rack, dia 32mm at rack end	Alloy rack tube	A111H6016F R/B	B111H6016S	2
02a	Gaiter, steering rack, non-pinion end, dia 38mm at rack end	Steel rack tube		A120H6004S	1
02b	Gaiter, steering rack, pinion end, dia 45mm at rack end	Steel rack tube		A120H6005S	1
03	Lock Nut, half nut, M12 , track rod end to track rod	Not used with ball joint A117H0009F		A111W3150F	2
04	Lock Nut, M12 , track rod end to track rod			A111W3124F	2
05	Track Rod End/Ball Joint	Includes nut, item: 6	A111H6015F R/B	A117H0009F	2
06	Nyloc Nut, M10, track rod end to steering arm			A111W3152F	2
07	Adjuster Plate, rack height setting (5 notch)			A111H0016F	2
07a	Adjuster Plate, rack height setting (10 notch)	Re-positioned rack height for sport suspension	MOTOR SPORT	A111H0021F	2
08	Washer, flat, M8, rack mounting			A075W4020Z	2
09	Setscrew, M8 x 25, hex. hd., rack mounting			A082W1110F	2
10	Setscrew, M10 x 30, hex. hd., rack mounting			A100A6028F	2
11	Washer, flat, M10, rack mounting			A075W4024Z	2
12	Bolt, M8 x 40, hex. hd., 10.9 grade, steering shaft to U/J			A918W2171F	4
13	Nyloc Nut, M8, steering shaft to U/J			A075W3010Z	4

ELISE

Function Code: 32.01, Page: 1

Updated 27th September 2012

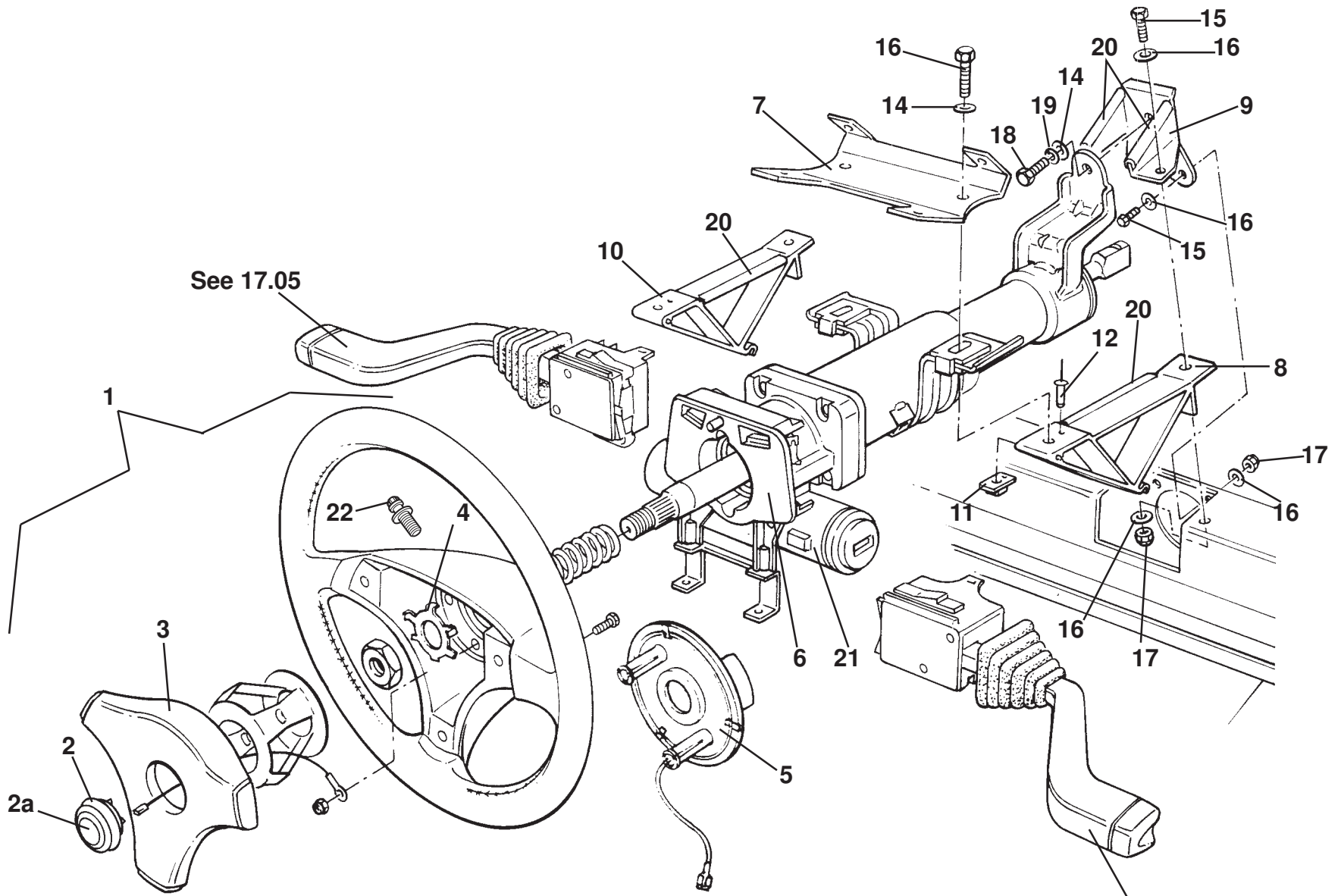
Function Code 32.01 Rack & Pinion, & Lower Column

<u>Dep</u>	<u>Part Description</u>	<u>Remarks</u>	<u>Option</u>	<u>Part Number</u>	<u>Qty</u>
14	Grommet, steering shaft thro' bulkhead			A082H6046F	1
15	Intermediate Steering Shaft Assembly		B111H0003 F/B	C111H0003F	1

ELISE

Function Code: 32.01, Page: 2

Updated 27th September 2012



ELISE
32.05

Updated 24th January 2013

Service Parts List *ELISE*



Function Code 32.05 Upper Column, Steering Wheel

<u>Dep</u>	<u>Part Description</u>	<u>Remarks</u>	<u>Option</u>	<u>Part Number</u>	<u>Qty</u>
01	Steering Wheel Assembly	Includes splined hub		A111H0001F	1
01a	Steering Wheel Assembly	Includes splined hub, Red/black alcantara	Type '49'	A111H0030K	1
02	Horn Push, (less badge)			A111H6021H	1
02a	Horn Badge			A111H6023H	1
03	Crash Pad, silver		Standard	A111H6020H	1
03a	Crash Pad, gold alcantara		JPS	A111H0040S	1
04	Lock Plate, steering wheel			A111H6009F	1
05	Horn Contact Plate			A111H6008F	1
06	Upper Steering Column	Includes ign. switch/steering lock		A111H6007F	1
07	Bracket, upper steering column			B111H0006F	1
08	Column Mounting Bracket, RH			A111A0098F	1
09	Bracket, forward column mounting			B111H0004F	1
10	Column Mounting Bracket, LH			A111A0097F	1
11	Nutplate, upper column support			B111H0007F	2
12	Pop Rivet, nutplate to bracket			A111W6586F	2
13	Bolt, M8 x 35, hex. hd., column to bracket			A075W2038D	2
14	Washer, flat, M8 x 20 x 2.5			A079W4019F	3
15	Setscrew, M6 x 16, side to forward brk/chassis			A075W1028Z	4

ELISE

Function Code: 32.05, Page: 1

Updated 24th January 2013

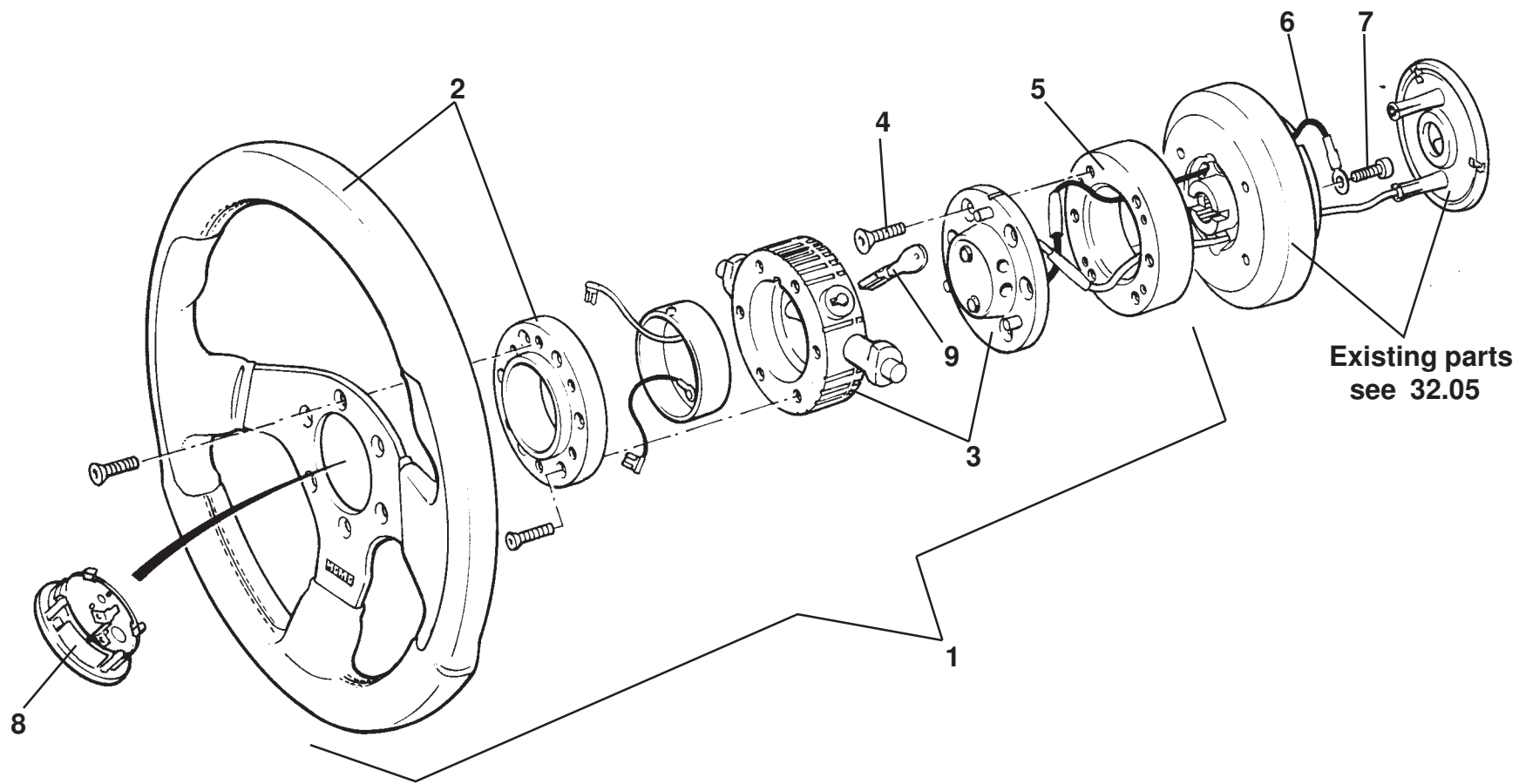
Function Code 32.05 Upper Column, Steering Wheel

<u>Dep</u>	<u>Part Description</u>	<u>Remarks</u>	<u>Option</u>	<u>Part Number</u>	<u>Qty</u>
16	Washer, flat, M6 x 12.1 x 1.4			A075W4013Z	8
17	Nyloc Nut, M6			A907E6258F	4
18	Setscrew, M8 x 16 hex. hd., front mounting			A075W1036Z	1
19	Washer, spring, M8			A075W4036Z	1
20	Rubber Beading, bracket edge protection			B075U6054V	0.3M
21	Steering Lock Housing	Excluding lock barrel, see 10.17, item 1		A111H6003S	1
22	Shear Bolt, steering lock			A111H6026S	2
23	Splined Hub, steering wheel	Not illustrated, part of wheel assy., item 1		A111H6018S	1

ELISE

Function Code: 32.05, Page: 2

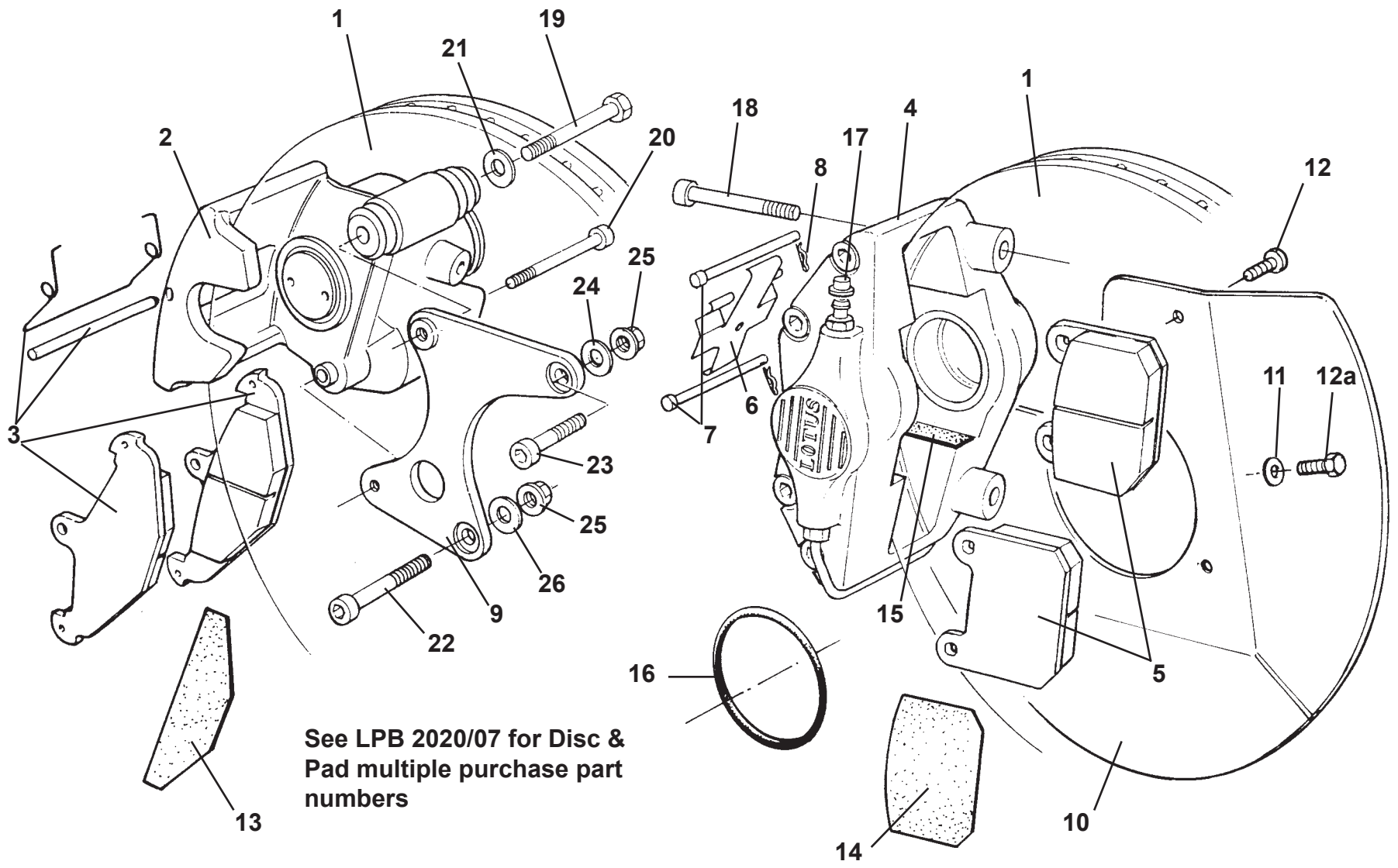
Updated 24th January 2013



ELISE
32.06

Function Code 32.06 Motorsport Steering Wheel Kit

<u>Dep</u>	<u>Part Description</u>	<u>Remarks</u>	<u>Option</u>	<u>Part Number</u>	<u>Qty</u>
01	Removeable Steering Wheel Kit, red	Track use only	MOTORSPORT	A111H0026J	1
01a	Removeable Steering Wheel Kit, black	Track use only	M/SPORT A111H0027J R/B	B111H0027J	1
02	Steering Wheel, red	Track use only	MOTORSPORT	A111H6017S	1
02a	Steering Wheel, black	Track use only	MOTORSPORT	A111H6025S	1
03	Locking Ring Assembly, ring and hub	Track use only	MOTORSPORT	A111H6019S	1
04	Screw, M6 x 20 skt. csk., spigot hub fix.	Track use only	MOTORSPORT	A918E7120F	6
05	Spacer, wheel locking ring	Track use only	MOTORSPORT	A111H0025S	1
06	Horn Earth Extension	Track use only	MOTORSPORT	A111H0114S	1
07	Screw, M6 x 20 cap hd., splined hub to spacer	Track use only	MOTORSPORT	A082W7041F	4
08	Horn Push, Lotus logo, double contact	Track use only	MOTORSPORT	A111H6024S	1
09	Lock Barrel & Keys	Track use only	MOTORSPORT	A111H6028S	1



See LPB 2020/07 for Disc & Pad multiple purchase part numbers

ELISE
33.01

Service Parts List

ELISE



Function Code 33.01 Brake Discs, Calipers, & Parking Brake Assembly

<u>Dep</u>	<u>Part Description</u>	<u>Remarks</u>	<u>Option</u>	<u>Part Number</u>	<u>Qty</u>
01	Brake Disc, alloy	Refer to SB 2000/16	Up to VIN: W 3713	E111J0089F	4
01a	Brake Discs, iron, (Pair)	For multiple purchase part numbers see LPB 2020/07	From VIN: W 3714 (June '98)	LOTAC05529	2
01b	Brake Disc, iron, cross drilled	Replaced by LOTAC05527	Sport 135, 160, 190, 111S	A111J0141F	4
01c	Brake Discs, grooved, (Pair)	For multiple purchase part numbers see LPB 2020/07		LOTAC05527	2
02	Brake Caliper, rear, RH	With pads		B116J0080F	1
02a	Brake Caliper, rear, RH	No brake pads		B116J0082S	1
02b	Brake Caliper, rear, LH	With pads		B116J0079F	1
02c	Brake Caliper, rear, LH	No brake pads		B116J0081S	1
03	Brake Pad Set, rear.	For alloy brake discs. Refer to SB 2000/16		A111J0100S	1
03a	Brake Pad Set, rear, For iron brake discs	For multiple purchase part numbers see LPB 2020/07		B117J0085S	1
03b	Brake Pad Set, rear, For iron brake discs	For multiple purchase part numbers see LPB 2020/07	MOTOR SPORT	B111J0151S	1
04	Brake Caliper, front RH	No brake pads		A111J0120F	1
4a	Brake Caliper, front LH	No brake pads		A111J0119F	1
05	Brake Pad Set, front, includes items 6, 7, 8	For alloy brake discs, Refer to SB 2000/16		A111J0099S	1
05a	Brake Pad Set, front, For iron brake discs	For multiple purchase part numbers see LPB 2020/07		B117J0084S	1

ELISE

Function Code 33.01 Brake Discs, Calipers, & Parking Brake Assembly

<u>Dep</u>	<u>Part Description</u>	<u>Remarks</u>	<u>Option</u>	<u>Part Number</u>	<u>Qty</u>
05b	Brake Pad set, front, includes 6, 7, 8, For iron brake disks	For multiple purchase part numbers see LPB 2020/07	MOTOR SPORT	B111J0150S	1
06	Anti-Rattle Spring, front brake pads			A111J0098F	2
07	Pin, front pad retaining			A111J0123F	4
08	' R' clip, pin retention	Replaces split pins		A075W6175F	4
09	Adaptor Plate, rear caliper, RH			C111J0004F	1
09a	Adaptor Plate, rear caliper, LH			C111J0003F	1
10	Brake Disc Shield, front, RH		From VIN: W 2260	A111J0126F	1
10a	Brake Disc Shield, front, LH		From VIN: W 2260	A111J0125F	1
10b	Brake Disc Shield, front, RH	Retro fit	Prior to VIN: W2260	A111J0130J	1
10c	Brake Disc Shield, front, LH	Retro fit	Prior to VIN: W 2260	A111J0129J	1
11	Washer, M5 x 10 x 0.8 mm	Retro fit only		A111W4168F	2
12	Setscrew, M5 x 16, button hd., shield fixing	All shields (4 used on retro fit)		A111W7156F	6
12a	Setscrew, M5 x 12 mm, shield fixing	Retro fit brake shields only		A111W1160F	2
13	Overlay, Anti squeal, rear brake pads	Alloy brake discs		A111J0121F	4
14	Overlay, Anti squeal, front brake pads	Alloy brake discs		A111J0122F	4
15	Buffer, front brake pads			A111J6030S	4
16	'O' Ring, brake disc to hub			A111J6024F	4
17	Nipple Cover, front brake bleed			A111J6029F	2
17a	Bleed Nipple Kit rear			A082J6161S	1
18	Bolt, M10 x 75, cap hd., front caliper fixing			A111W7140F	4

ELISE

Function Code: 33.01, Page: 2

Updated 1st December 2020

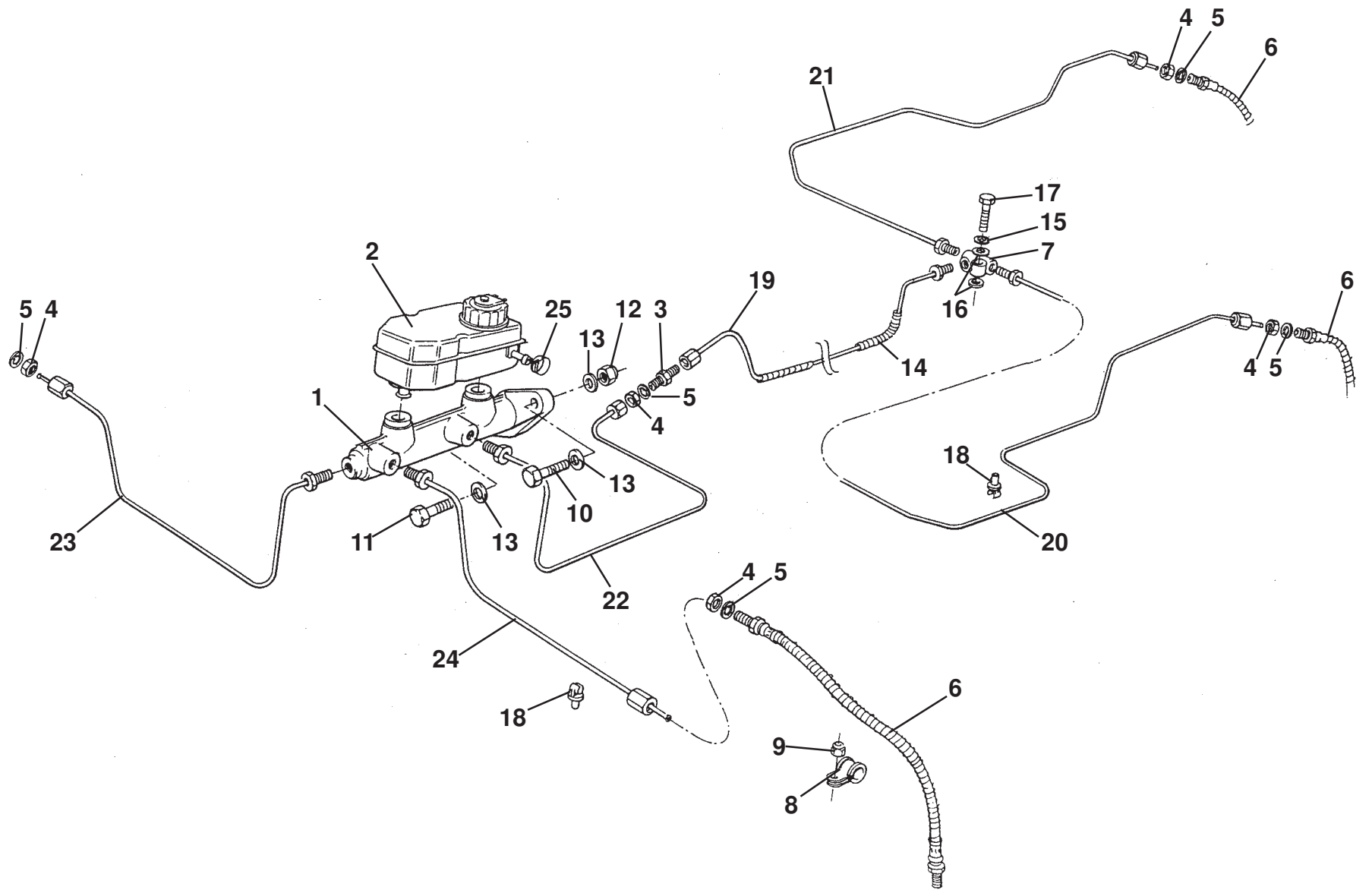
Function Code 33.01 Brake Discs, Calipers, & Parking Brake Assembly

<u>Dep</u>	<u>Part Description</u>	<u>Remarks</u>	<u>Option</u>	<u>Part Number</u>	<u>Qty</u>
19	Bolt, M10 x 80, hex. hd., rear caliper fixing			B082W1113F	2
20	Bolt, M8 x 60, cap hd., rear caliper fixing	Black finish	B082W1114F R/B	A111W1166F	2
21	Washer, flat, M10 x 20.5, rear caliper upper fixing bolt			A075W4024Z	2
22	Bolt, M10 x 60, low cap hd., adaptor plate to hub carrier		Later type hub carriers with thro' bolts	A111W7161F	2
22a	Bolt, M10, low cap hd., adaptor plate to hub carrier	(Not illustrated), use permabond A025	Earlier type hub carriers with tapped holes	A111W7142F	4
23	Bolt, M10 x 45, low cap hd., adaptor plate to hub carrier		Later type hub carriers with thro' bolts	A111W7160F	2
24	Washer, flat		Used with thro' bolts	A111C0080F	4
25	Nut, M10 x 1.5		Used with thro' bolts	A089W3082F	4
26	Sliding Pin Bush Kit, rear calipers	Not illustrated, includes sleeves, boots & seals		A082J6162S	2
27	Piston Retraction Tool, rear calipers	Not illustrated		T000T1242F	1

ELISE

Function Code: 33.01, Page: 3

Updated 1st December 2020



ELISE

33.03

Service Parts List

ELISE



Function Code 33.03 Master Cylinder, Servo, ABS Controller, Pipes & Hoses

<u>Dep</u>	<u>Part Description</u>	<u>Remarks</u>	<u>Option</u>	<u>Part Number</u>	<u>Qty</u>
01	Tandem Master Cylinder		A111J0079F	A111J6001L	1
02	Reservoir		A111J6002F R/B	B111J6002F	1
03	Bulkhead Connector			A089J6013F	1
04	Nut, M10 x 1.0, thin Zn			A075J6017Z	4
05	Washer, M10, internal shakeproof			A075W4049Z	4
06	Brake Hose, pipe to caliper, front & rear		AO82J4390F R/B	A120J0044F	4
07	Connector Three Way, brakepipes			B075J6019F	1
08	Clip, 10dia. x 15 wide, hose retention	Upper front, lower rear wishbones		A111W6595F	4
09	Nyloc Nut, M6, thin Zn			A907E6285F	4
10	Setscrew, M8 x 25, master cylinder to pedal box			A075W1039Z	1
11	Setscrew, M8 x 20, master cylinder to pedal Box			A075W1038Z	1
12	Nyloc Nut, M8, master cylinder to pedal pox			A111W3126F	1
13	Washer, flat, M8			A075W4020Z	3
14	Spirathene Protector, front to rear pipe			A111J6023V	800mm
15	Washer, spring, M6			A075W4035Z	1
16	Washer, flat M6 x 12.1 x 1.4			A075W4013Z	2
17	Bolt, M6 x 30, long hex. hd.			A075W2028Z	1
18	Nylon Clip			A075J6027Z	11

ELISE

Function Code: 33.03, Page: 1

Updated 1st August 2014

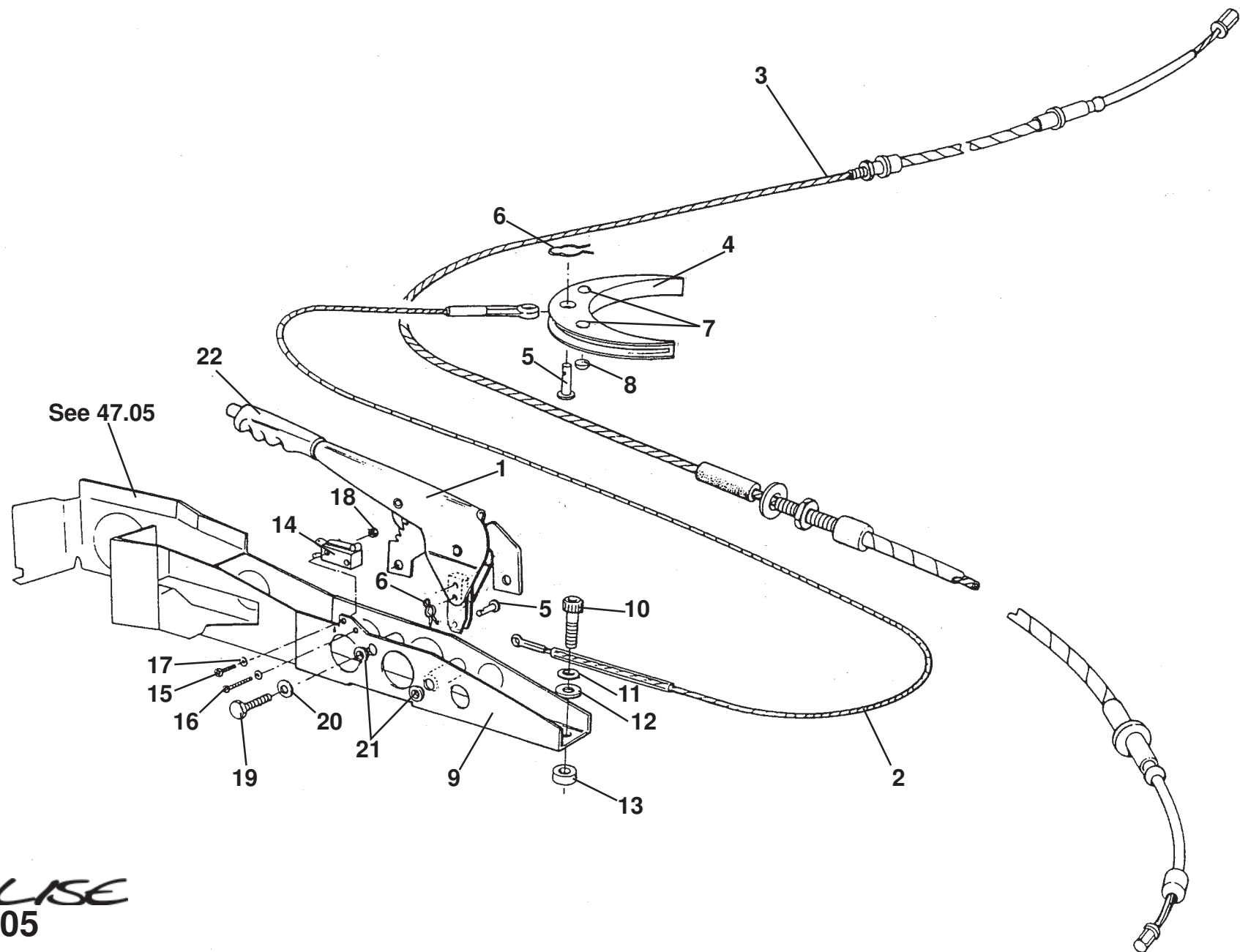
Function Code 33.03 Master Cylinder, Servo, ABS Controller, Pipes & Hoses

<u>Dep</u>	<u>Part Description</u>	<u>Remarks</u>	<u>Option</u>	<u>Part Number</u>	<u>Qty</u>
19	Brake Pipe, front to rear			A111J0059F	1
20	Brake Pipe, rear LH			C111J0057K	1
21	Brake Pipe, rear RH			C111J0058K	1
22	Brake Pipe, front main RHD			B111J0060K	1
22a	Brake Pipe, front main LHD			B111J0061K	1
23	Brake Pipe, front RH, RHD		'B' level for AC cars	A111J0062F	1
23a	Brake Pipe, front RH, LHD			A111J0064F	1
24	Brake Pipe, front LH,RHD			A111J0063F	1
24a	Brake Pipe, front LH, LHD			B111J0065F	1
25	Hose Clip, reservoir to clutch master cyl. pipe			A918W6541F	1

ELISE

Function Code: 33.03, Page: 2

Updated 1st August 2014



ELISE
33.05

Function Code 33.05 Parking Brake Mechanism

<u>Dep</u>	<u>Part Description</u>	<u>Remarks</u>	<u>Option</u>	<u>Part Number</u>	<u>Qty</u>
01	Parking Brake Assembly			A111J0002J	1
02	Cable, parking brake primary			B111J0025F	1
03	Cable, parking brake secondary		A111J0024F R/B	B111J0024F	1
04	Equaliser, handbrake			A111J6014H	1
05	Clevis Pin, dia 8 x 10.5		A111J0026F R/B	A111W6674F	2
06	'R' Clip			A075W6175F	2
07	Bumper, self adhesive			A111J6025F	2
08	Bumper, self adhesive			A111J6027F	2
09	Mounting Channel, parking brake assembly			C111J0027F	1
10	Screw, M8 x 30, cap hd.			A089W7052F	2
11	Washer, spring M8			A075W4036Z	2
12	Washer, flat M8 x 16.6 x 1.4			A075W4020Z	2
13	Spacer, parking brake channel to floor			A111J0030K	2
14	Switch, parking brake tell tale			A111M6025F	1
15	Screw, M3 x 16 pan hd. pozi.			A082W5110F	1
16	Screw, M3 x 20 pan hd. pozi.			A082W5163F	1
17	Washer, flat M3 x 7			A100W4125F	2
18	Nyloc Nut, M3			A079W3060F	2
19	Screw, M8 x 25 hex. thn. hd.			A075W1081Z	2
20	Washer, spring, M8			A075W4036Z	2
21	Bush, parking brake			A111J0028K	2

ELISE

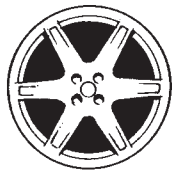
Function Code 33.05 Parking Brake Mechanism

<u>Dep</u>	<u>Part Description</u>	<u>Remarks</u>	<u>Option</u>	<u>Part Number</u>	<u>Qty</u>
22	Hand-Grip, parking brake lever			A111J6037S	1
23	'P' Clip, cable to rear lower wishbones			A111W6612F	2
24	Nyloc Nut, M6, clip to wishbone			A907E6285F	2

ELISE



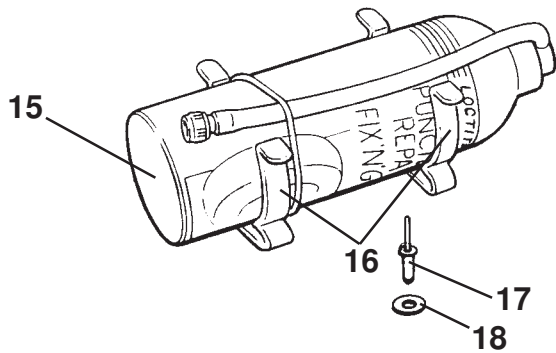
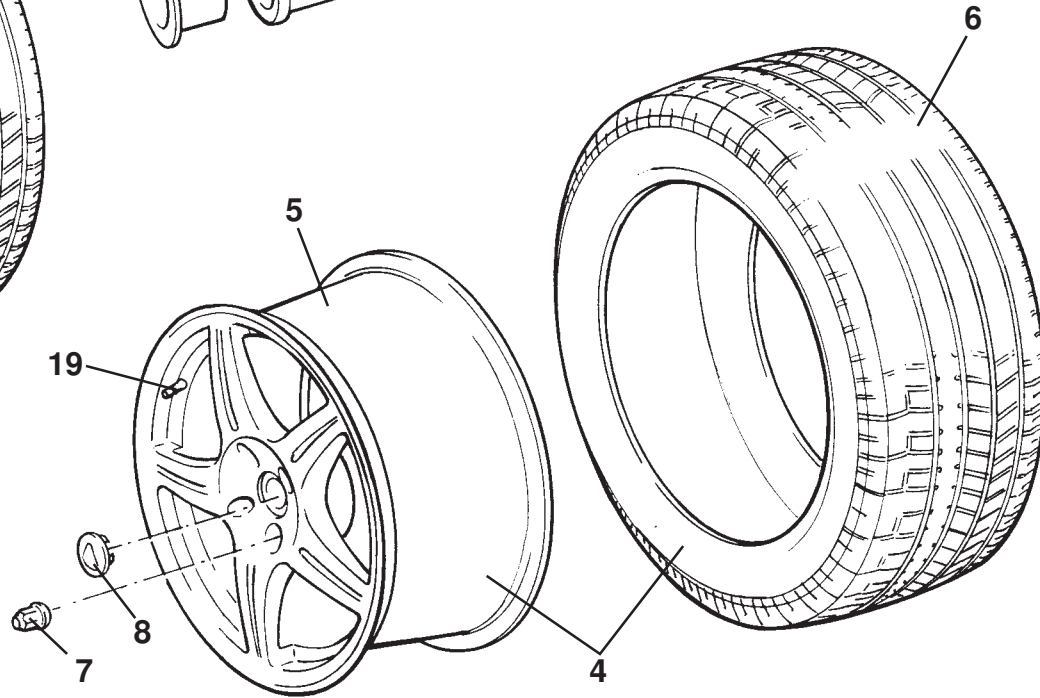
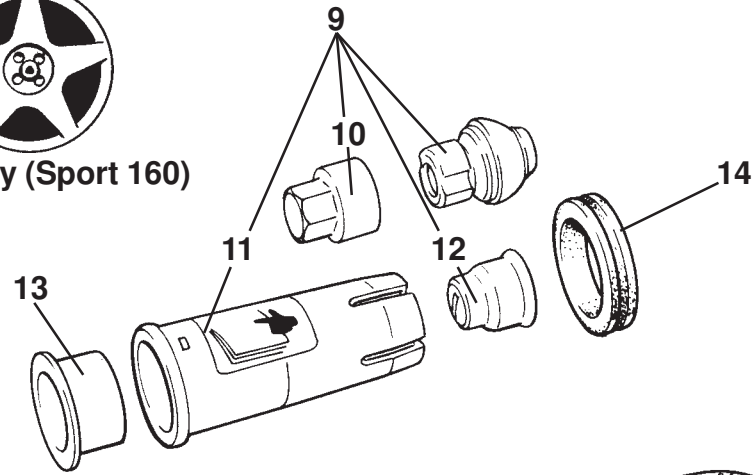
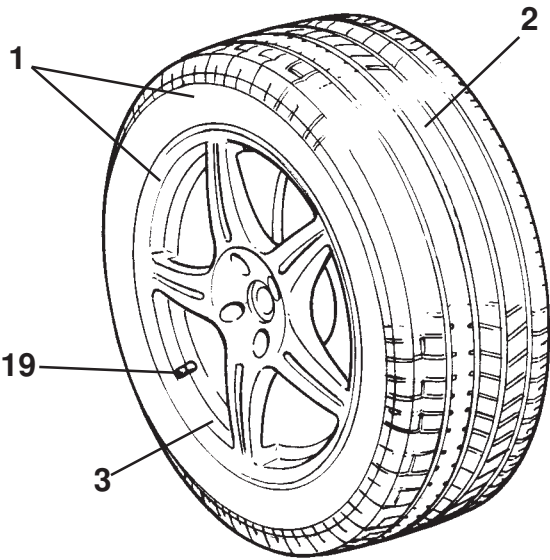
AWI



OZ (111S)



Rimstock Victory (Sport 160)



ELISE
34.01

Service Parts List *ELISE*



Function Code 34.01 Wheels, Tyres & Valves

<u>Dep</u>	<u>Part Description</u>	<u>Remarks</u>	<u>Option</u>	<u>Part Number</u>	<u>Qty</u>
01	Wheel & Tyre Assy., front, five spoke AWI	not available	Prior to VIN: 6429 approx.	A111G0006F	2
01a	Wheel & Tyre Assy., front, twelve spoke Rimstock	not available	From VIN: 6429 approx.	A111G0021F	2
01b	Wheel & Tyre Assy., front, six spoke OZ	not available	111S	B111G0017F	2
01c	Wheel & Tyre Assy., front, six spoke OZ	Gold finish, not available	JPS, Type '49'	A111G0028F	2
01d	Wheel & Tyre Assy., front, five spoke, Victory	Grey finish, not available	Sport 160	A111G0036F	2
02	Tyre, front 185/55 R15, Pirelli P Zero	Obsolete see SB 2006/04		A111G6006H	2
02a	Tyre, front 195/50 R15, Yokohama Advan Neova, RH	Improved performance option, (requires frt w/arch extension lip)	All cars	LOTAC05260	1
02b	Tyre, front 195/50 R15, Yokohama Advan Neova, LH	Improved performance option (requires frt w/arch extension lip)	All cars	LOTAC05261	1
02c	Tyre, front 185/55 R15, Yokohama C Drive	Service replacement	Standard car	LOTAC05401	2
03	Road Wheel, front, five spoke AWI, 5.5J x 15	Ossolete	Prior to VIN: 6429 approx.	A111G0004F	2
03a	Road Wheel, front, twelve spoke Rimstock 5.5J x 15		From VIN: 6429 approx.	A111G6040F	2
03b	Road Wheel, front, six spoke OZ, 5.5J x 15		111S	A111G0013F	2
03c	Road Wheel, front, six spoke OZ, 5.5J x 15	Gold finish	JPS, Type '49'	A111G0029F	2
03d	Road Wheel, front, five spoke Victory, 6J x 15	Grey finish	Sport 160	A111G6032S	2
03e	Road Wheel, front, five spoke Victory, 6J x 15	Silver finish	Sport 160	A111G6030S	2
04	Wheel & Tyre Assy., rear, five spoke AWI, 205/50 tyre	not available	Prior to VIN: 6429 approx.	A111G0010F	2
04a	Wheel & Tyre Assy., rear, five spoke AWI, 225/45 tyre	not available	Prior to VIN: 6429 approx.	A111G0009F	2

ELISE

Function Code: 34.01, Page: 1

Updated 1st November 2016

Function Code 34.01 Wheels, Tyres & Valves

<u>Dep</u>	<u>Part Description</u>	<u>Remarks</u>	<u>Option</u>	<u>Part Number</u>	<u>Qty</u>
04b	Wheel & Tyre Assy., rear, twelve spoke Rimstock, 205/50 tyre	not available	From VIN: 6429 approx.	A111G0022F	2
04c	Wheel & Tyre Assy., rear, twelve spoke Rimstock, 225/45 tyre	not available	From VIN: 6429 approx.	A111G0023F	2
04d	Wheel & Tyre assy., rear, six spoke OZ, 225/45 tyre	not available	111S	A111G0016F	2
04e	Wheel & Tyre assy., rear, six spoke OZ, 225/45 tyre	Gold finish, not available	JPS, Type '49'	A111G0030F	2
04f	Wheel & Tyre assy., rear, five spoke Victory, 225/45 tyre	Grey finish, not available	Sport 160	A111G0037F	2
05	Road Wheel, rear, five spoke AWI, 7J x 16	Osbolete	Prior to VIN: 6429 approx.	A111G0005F	2
05a	Road Wheel, rear, twelve spoke Rimstock 7J x 16		From VIN: 6429 approx.	A111G6041F	2
05b	Road Wheel, rear, six spoke OZ, 7.5J x 16		111S	A111G0012F	2
05c	Road Wheel, rear, six spoke OZ, 7.5J x 16	Gold finish	JPS, Type '49'	A111G0031F	2
05d	Road Wheel, rear, five spoke Victory, 8J x 16	Grey finish	Sport 160	A111G6033S	2
05e	Road Wheel, rear, five spoke Victory, 8J x 16	Silver finish	Sport 160	A111G6031S	2
06	Tyre, rear, 205/50 ZR 16, Pirelli P Zero	Must be fitted in pairs, Obsolete, see SB 2006/04		A111G6022H	2
06a	Tyre, rear, 225/45 ZR 16, Pirelli P Zero	Must be fitted in pairs, Obsolete, see SB 2006/04		A111G6019H	2
06b	Tyre, rear 225/45 R16, Yokohama Advan Neova, RH	Improved performance option	All cars	LOTAC05262	1
06c	Tyre, rear 225/45 R16, Yokohama Advan Neova, LH	Improved performance option	All cars	LOTAC05263	1
06d	Tyre, rear, 205/50 ZR 16, Yokohama C Drive	Service replacement	Standard car	LOTAC05402	2
07	Wheel Nut			A111G6001F	16
08	Wheel Centre Cover, Lotus badge			A082G4112F	4

ELISE

Function Code: 34.01, Page: 2

Updated 1st November 2016

Function Code 34.01 Wheels, Tyres & Valves

<u>Dep</u>	<u>Part Description</u>	<u>Remarks</u>	<u>Option</u>	<u>Part Number</u>	<u>Qty</u>
08a	Wheel Centre Cover, Lotus badge	For Victory wheels	Sport 160	A111G6034S	4
09	Security Wheelnut Kit			A111G6008F	1
10	Security Coded Socket	Contact Aftersales quoting wheelnut code		Secure No.s	1
11	Extractor Tool, security wheelnut cover	Container for wheelnut key (stowed)		A111G6017H	1
12	Cap, security wheelnut			A111G6015F	4
13	Protection Cap, security wheelnut key stowage			A111G6013F	1
14	Grommet, security wheelnut key/tool stowage			A111G6012F	1
15	Tyre Weld, repair canister			A111G6005F	1
16	Terry Clip, tyre weld canister retention			A111W6590F	2
17	Pop Rivet, terry clip fixing			A075W6090Z	4
18	Washer, flat, terry clip fixing			A075W4084F	4
19	Tyre Valve			A111G6002H	4

ELISE

Function Code: 34.01, Page: 3

Updated 1st November 2016



A111G0004F 5.5 x 15
A111G0005F 7.0 x 16
Silver



A111G6030S 6.0 x 15
A111G6031S 8.0 x 16
A111G6026S 5.5 x 15
A111G6027S 7.0 x 16
Silver



A111G6032S 6.0 x 15
A111G6033S 8.0 x 16
A111G6028S 5.5 x 15
A111G6029S 7.0 x 16
Grey



A128G0007F 7.0 x 16
A128G0008F 8.0 x 17
Satin black



ALS3G0064F 7.0 x 16
ALS3G0065F 8.0 x 17
Gloss black



ALS3G0066F 7.0 x 16
ALS3G0067F 8.0 x 17
HP silver



ALS3G0062F 7.0 x 16
ALS3G0063F 8.0 x 17
Glitter silver



A127G0001F 7.0 x 16
A127G0002F 8.0 x 17
Satin black



A127G0004F 7.0 x 16
A127G0003F 8.0 x 17
Silver



ALS3X0129F 7.0 x 16
ALS3X0130F 8.0 x 17
Black/silver (Type 25)



A122G0017S 7.0 x 16
A122G0018S 8.0 x 17
Black/gold (Type 72)



A128G0003F 6.0 x 16
A128G0004F 8.0 x 17
Satin black



A128G0005F 6.0 x 16
A128G0006F 8.0 x 17
Silver

Elise MK1 (Rover p/train)


Elise MK2 (Rover p/train)

Elise MK2 (Toyota p/train)


Exige MK1 (Rover p/train)

Exige MK2 (Toyota p/train)

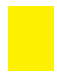


 A111G0013F 5.5 x 15
A111G0012F 7.5 x 16
HP silver




 A111G0029F 5.5 x 15
A111G0031F 7.5 x 16
Gold (Type 49 JPS)





 D117G0014H 5.5 x 16
D117G0015H 7.5 x 17
Glitter silver




 A117G0111H 5.5 x 16
A117G0112H 7.5 x 17
Gold (Type 72)




 A117G0113H 5.5 x 16
A117G0114H 7.5 x 17
 A131G0006H 5.5 x 16
B131G0001H 7.5 x 17
HP silver




 D117G0024H 5.5 x 16
D117G0025H 7.5 x 17
Black




 A120G0057F 5.5 x 16
A120G0058F 7.5 x 17
Stealth grey




 A120G0042H 6.0 x 16
A120G0032H 6.5 x 16
A120G0033H 7.5 x 17
HP silver




 A120G0047H 6.0 x 16
A120G0026H 6.5 x 16
A120G0027H 7.5 x 17
Black




 A121G0013H 6.5 x 16
A121G0015H 7.5 x 17
Anodised

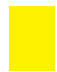


 A117G0124H 6.5 x 16
A120G0019H 7.5 x 17
Silver




 B117G0026H 5.5 x 16
B117G0027H 7.5 x 17
Silver





 A117G0089H 5.5 x 16
A117G0090H 7.5 x 17
Gold





 B117G0087H 5.5 x 16
A117G0088H 7.5 x 17
HP silver dark




 A117G0138S 5.5 x 16
A117G0139S 7.5 x 17
 A,B121G0005H 7.5 x 17
HP silver light



 C117G0028H 5.5 x 16
B117G0029H 7.5 x 17
 A120G0023H 7.5 x 17
Black



 A120G0059F 5.5 x 16
A120G0060F 7.5 x 17
Satin black



■ A111G0042F 7.0 x 16
A111G0043F 8.5 x 17
Black



■ A111G6040F 5.5 x 15
A111G6041F 7.0 x 16
Silver



■ T A120G0052F 5.5 x 16
A120G0053F 7.5 x 17
Silver



■ T A120G0054F 5.5 x 16
A120G0055F 7.5 x 17
Black



■ A120G0048F 6.0 x 16
A120G0049F 8.0 x 17
HP silver



■ A120G0061F 6.0 x 16
A120G0062F 8.0 x 17
Black



■ A122G0015F 7.0 x 16
A122G0016F 8.0 x 17
Gloss antracite



■ A704G0001F 7.0 x 16
A704G0002F 8.0 x 17
Black (Elise Cup)



■ A704G0003F 7.0 x 16
A704G0004F 8.0 x 17
HP silver (Elise Cup)



■ T A147G0001F 6.0 x 16
A147G0002F 8.0 x 17
Black



■ T A147G0003F 6.0 x 16
A147G0004F 8.0 x 17
HP silver



■ T A147G0008F 6.0 x 16
A147G0009F 8.0 x 17
Black (Diamond Cut)



■ A120G0067F 6.0 x 16
A120G0068F 8.0 x 17
Black



■ A120G0065F 6.0 x 16
A120G0066F 8.0 x 17
Silver



■ A147G0014F 6.0 x 16
A147G0015F 8.0 x 17
Gold (Elise GP Cup 250)

T TPMS compatible for 17.5 MY

■ Elise MK1 (Rover p/train) ■ Elise MK2 (Rover p/train) ■ Elise MK2 (Toyota p/train) ■ Exige MK1 (Rover p/train) ■ Exige MK2 (Toyota p/train)



■ BLS2G6006F 6.5 x 16
■ BLS2G6007F 7.5 x 17
 Silver

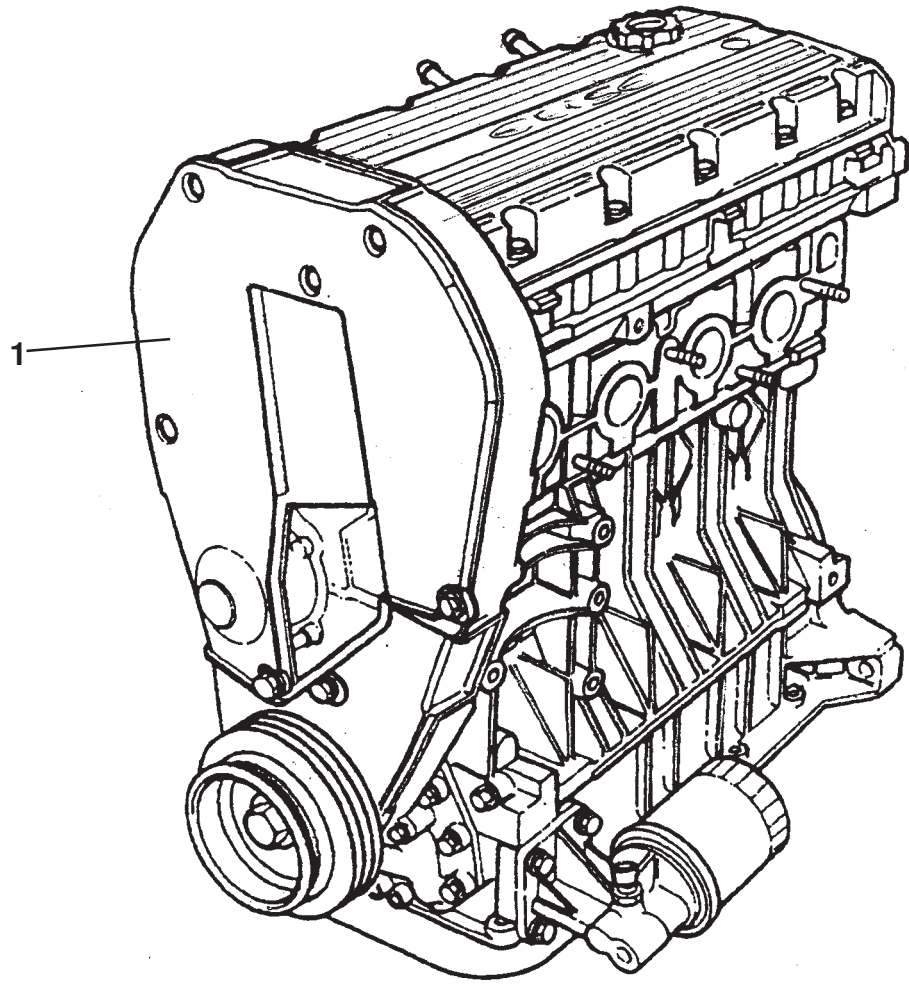
■ BLS2G6003F 6.5 x 16
■ BLS2G6005F 7.5 x 17
 Black

■ LOTAC05382 6.5 x 16
■ LOTAC05383 7.5 x 17
 Sliver

■ A122G0007H 6.5 x 16
■ A122G0008H 7.5 x 17
 Black

■ A120G0063S 6.5 x 16
■ A120G0064S 7.5 x 17
 Gold (Type 72)

T TPMS compatible for 17.5 MY



ELISE
40.00

Function Code 40.00 Engine Assemblies

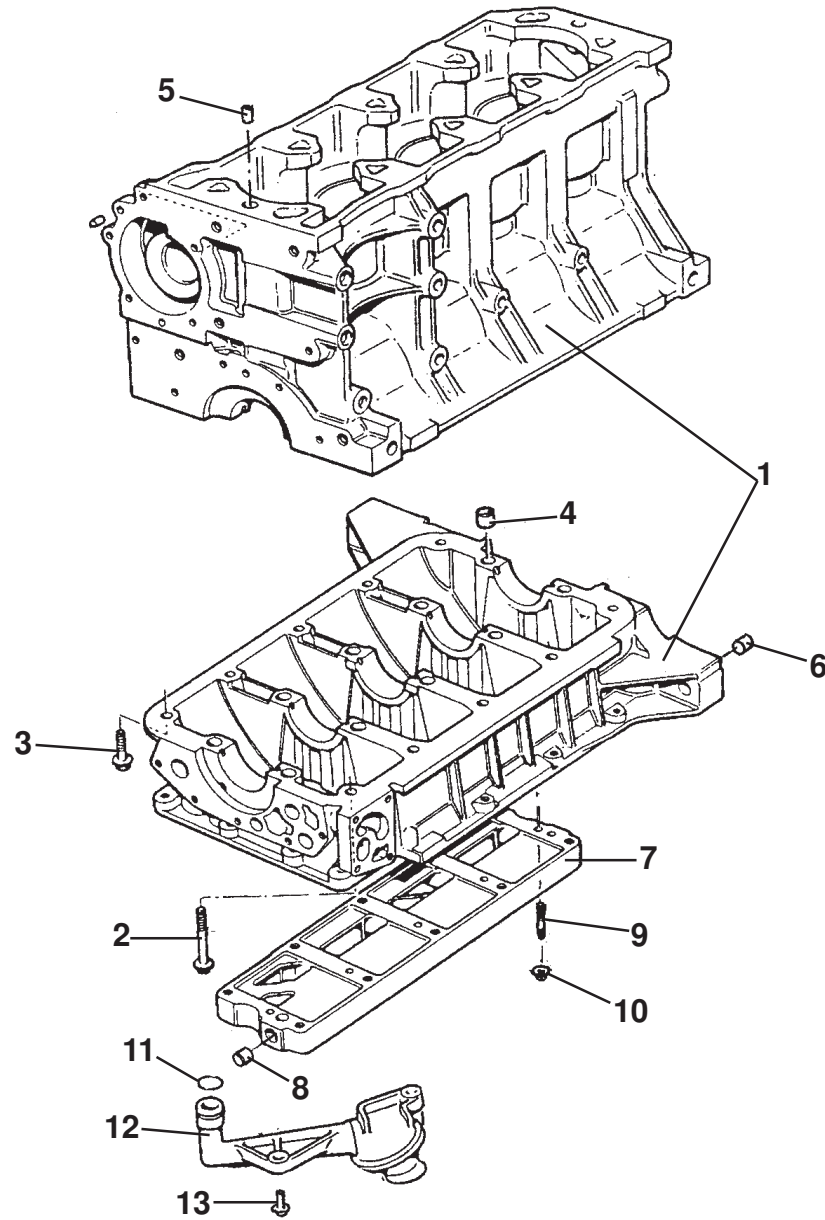
<u>Dep</u>	<u>Part Description</u>	<u>Remarks</u>	<u>Option</u>	<u>Part Number</u>	<u>Qty</u>
01	Engine Assembly, 1.8, undressed	Less ancilliaries		A111E6109S	1
01b	Engine Assembly, 1.8 VVC, undressed	Less ancilliaries	111S	A111E6318S	1
01c	Engine Assembly, 135		Sport 135	A111E6228S	1
01d	Engine Assembly, 160		Sport 160, prior to VIN:	A111E	1
01e	Engine Assembly, 160		Sport 160, from VIN:	A111E	1
01f	Engine Assembly, 190 VHPD		Sport 190	A111E6127S	1
02	Fitting Kit, 190 VHPD Engine	Comprising items: 2a to 3	MOTOR SPORT	A111E0034J	1
02a	Carbon Fibre Airbox	Part of fitting kit item 2	MOTOR SPORT	A111E0020S	1
02b	Ducting, airbox	Part of fitting kit item 2	MOTOR SPORT	A111E0022S	1
02c	Adaptor, ducting to air intake	Part of fitting kit item 2	MOTOR SPORT	A111E0023K	1
02d	Hose Clip, ducting	Part of fitting kit item 2	MOTOR SPORT	A111W6638F	2
02e	Throttle Cable	Part of fitting kit item 2	MOTOR SPORT	A111J0140S	1
02f	Fuel Feed Pipe	Part of fitting kit item 2	MOTOR SPORT	A111L6039S	1
02g	Fuel Return Pipe	Part of fitting kit item 2	MOTOR SPORT	A111L6040S	1
02h	Throttle Cable 'U' Bracket	Part of fitting kit item 2	MOTOR SPORT	C111J0046F	1
02i	Bridging Plug, Cobra immobiliser	Part of fitting kit item 2	MOTOR SPORT	A111M0123S	1
02j	Guidance Notes	Part of fitting kit item 2	MOTOR SPORT	LSL364	1
03	Crankcase Breather Pipe Kit	Part of fitting kit, comprising items 3a to 3h	MOTOR SPORT	A111E0035J	1
03a	Grommet	Part of breather pipe kit item 3	MOTOR SPORT	A082L6181F	1
03b	Adaptor/Connector,	Part of breather pipe kit item 3	MOTOR SPORT	A111E6153F	1

ELISE

Function Code 40.00 Engine Assemblies

<u>Dep</u>	<u>Part Description</u>	<u>Remarks</u>	<u>Option</u>	<u>Part Number</u>	<u>Qty</u>
03c	Hose, engine breather to air box	Part of breather pipe kit item 3	MOTOR SPORT	A111E0029S	1
03d	'T' Piece, elbow to connector	Part of breather pipe kit item 3	MOTOR SPORT	A111E6152S	1
03e	Elbow, engine breather to air box	Part of breather pipe kit item 3	MOTOR SPORT	A111E0032K	1
03f	Hose/Connector, engine breather to air box	Part of breather pipe kit item 3	MOTOR SPORT	A111E6151S	1
03g	Clip	Part of breather pipe kit item 3	MOTOR SPORT	A111E6155S	1
03h	Clip	Part of breather pipe kit item 3	MOTOR SPORT	A111E6154S	1

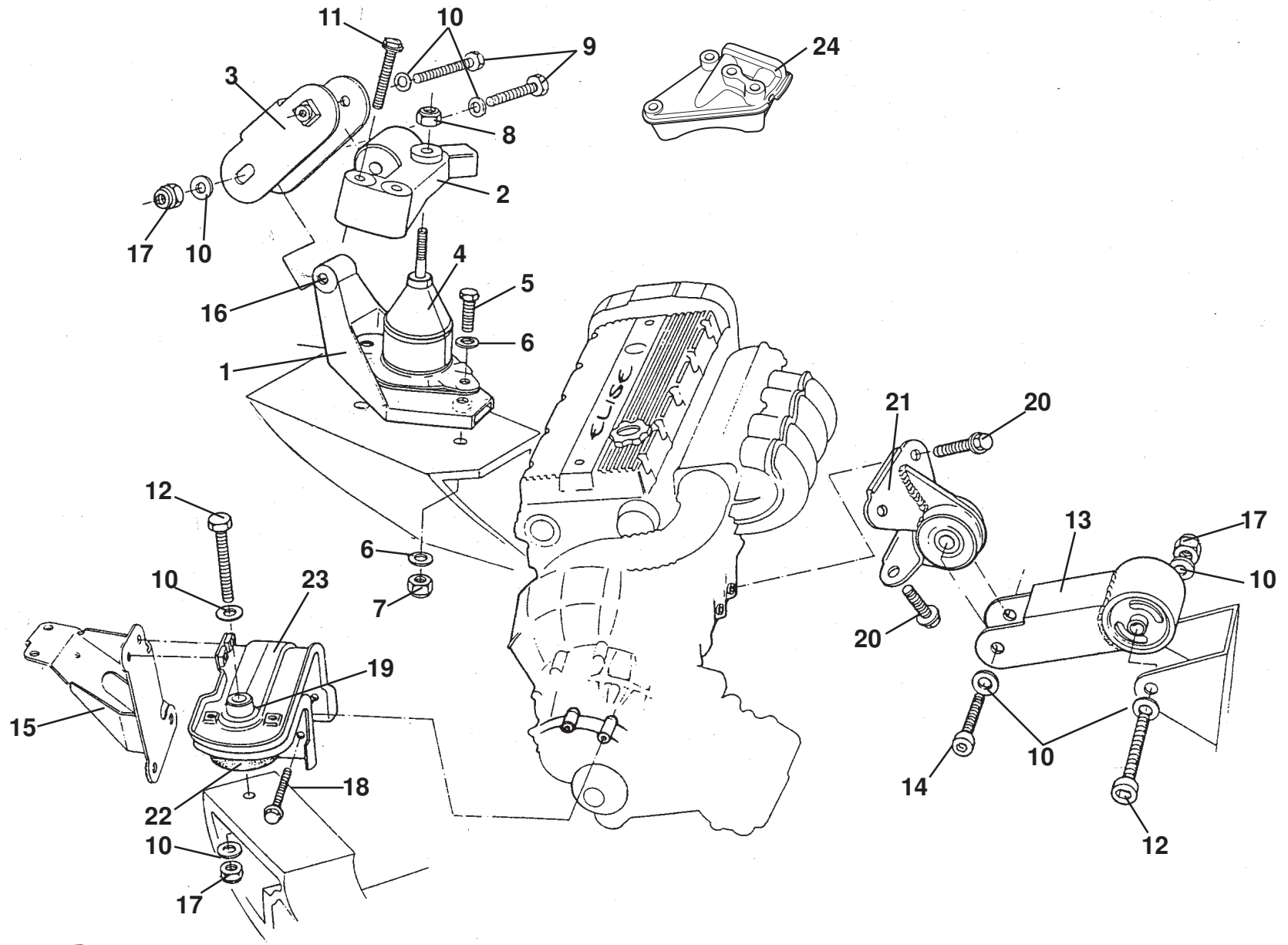
ELISE



ELISE
40.01

Function Code 40.01 Engine Block & Oil Pick up

<u>Dep</u>	<u>Part Description</u>	<u>Remarks</u>	<u>Option</u>	<u>Part Number</u>	<u>Qty</u>
01	Cylinder Block Assembly	Includes bearing ladder		A111E6185S	1
02	Bolt, ladder to Block			A111E6186S	1
03	Screw, ladder to block			A111E6187S	9
04	Dowel, ladder to block			A111E6188S	2
05	Dowel, block to head			A111E6175S	2
06	Dowel, block to gearbox			A111E6189S	2
07	Rail, oil feed			A111E6190S	1
08	Core Plug			A111E6191S	2
09	Stud, rail to ladder			A111E6192S	2
10	Nut, rail fixing			A111E6193S	2
11	'O' Ring. oil pick-up pipe seal	Also see 40.02		A111E6066S	1
12	Oil Pick-Up Pipe			A111E6167S	1
13	Bolt, oil pick-up pipe fix.			A111E6168S	1



ELISE
40.01a

Updated 3rd November 2014

Service Parts List *ELISE*



Function Code 40.01a Engine Mounts

<u>Dep</u>	<u>Part Description</u>	<u>Remarks</u>	<u>Option</u>	<u>Part Number</u>	<u>Qty</u>
01	Bracket, engine upper mount, chassis RH			D111E0004F	1
02	Bracket, engine upper mount, engine RH			A111E6027F	1
03	Engine Steady Arm, upper			A111E6014F	1
04	Hydromount Assembly			A111E6002F	1
05	Bolt, M10 x 45			A111W2175F	2
06	Washer, M10 x 20.5			A111W4163F	4
07	Nyloc Nut, M10			A100W3112F	2
08	Nut, M12 x 1.75			A111W3155F	1
09	Bolt, M12 x 70			A100D6023F	2
10	Washer, flat, M12			A075W4028Z	8
11	Bolt, M14 x 2 x 80			A111E6008Z	2
12	Bolt, M12 x 90			A075W2073F	2
13	Engine Steady Arm, lower			A111E6029F	1
14	Bolt, M12 x 60			A075W2070Z	1
15	Mounting Leg, clutch slave cylinder			A111E6139S	1
16	Bush, engine mount			A111E6016F	1
17	Nyloc Nut, M12			A075W3012Z	4
18	Bolt, M10, flg. hd.			A111E6137S	2

ELISE

Function Code: 40.01a, Page: 1

Updated 24th January 2013

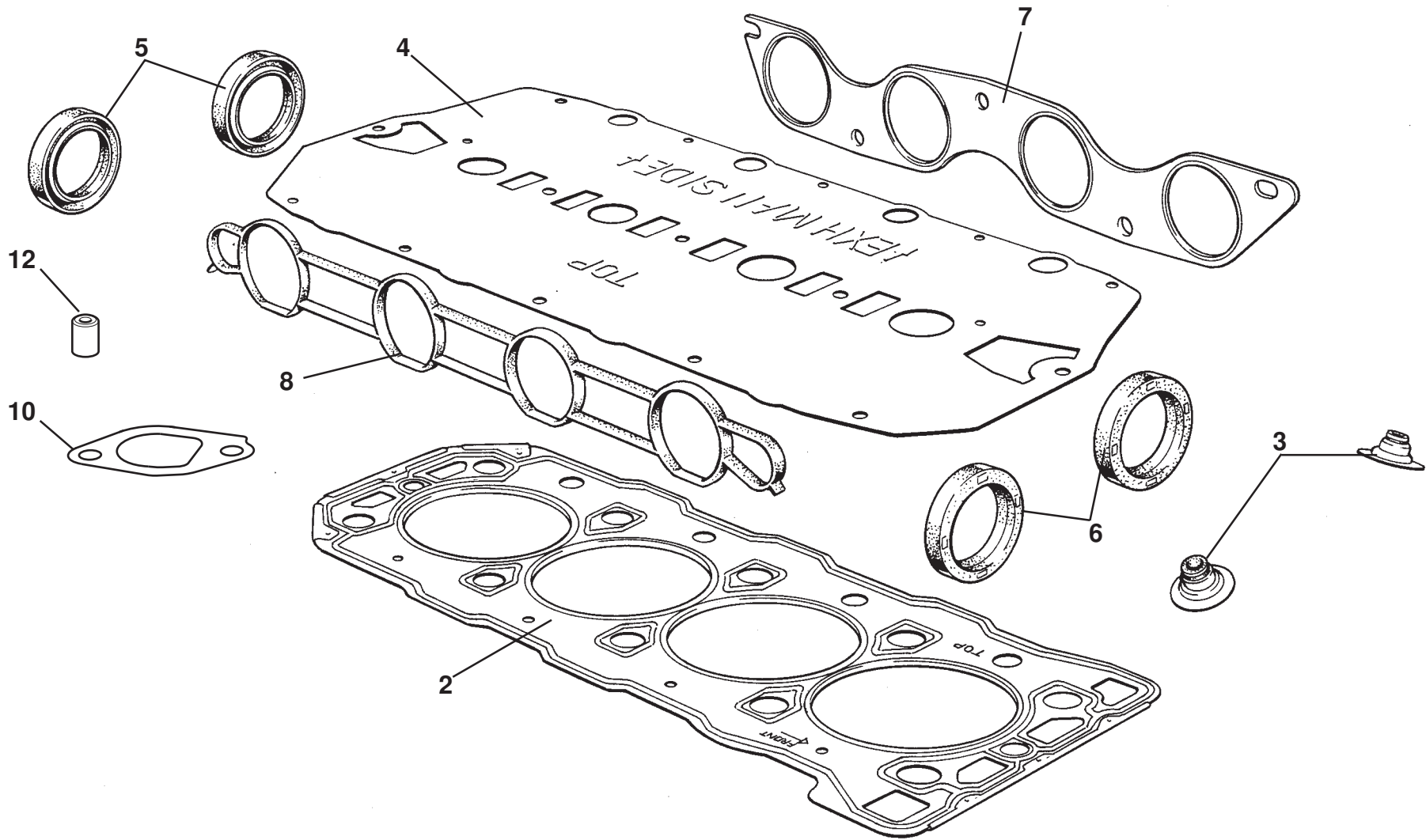
Function Code 40.01a Engine Mounts

<u>Dep</u>	<u>Part Description</u>	<u>Remarks</u>	<u>Option</u>	<u>Part Number</u>	<u>Qty</u>
19	Spacer, engine mounting to chassis			A111F6002F	1
20	Screw, flanged head			A111E6134S	4
21	Bracket, steady arm to engine			A111E6133S	1
22	Engine/Transmission Mounting, LH		A111E6135S R/B	A111F6186F	1
23	Bracket, engine/transmission mounting, LH			A111E6136S	1
24	Bracket, head to RH mount			A111E6460S	1
25	Bolt, M10 x 22, flg. hex. hd., mounting leg upper	Not illustrated		A111E6140S	2
26	Bolt, M10 x 20, flg. hex. hd., mounting leg lower	Not illustrated		A111E6138S	2

ELISE

Function Code: 40.01a, Page: 2

Updated 24th January 2013



ELISE
40.02

Updated 24th January 2013

Service Parts List *ELISE*



Function Code 40.02 Gaskets & Sealants, Top Overhaul Set

<u>Dep</u>	<u>Part Description</u>	<u>Remarks</u>	<u>Option</u>	<u>Part Number</u>	<u>Qty</u>
01b	Head Gasket update kit**	Comprises items 2a to 8 + oil rail*		A117E6114S	1
02	Gasket, cylinder head	Includes dowels, also see 40.05		A111E6103S	1
02a	Gasket, cylinder head	Supplied as P/O kit item 1**			1
03	Oil seal, valve stem	Also see 40.05		A111E6171S	16
04	Gasket, cam cover	Also see 40.07	A111E6052S R/B	A117E6025S	1
05	Oil Seal, camshaft, rear, red	Also see 40.07	A111E6055S R/B	A111E6271S	2
06	Oil Seal, camshaft, front, black	Also see 40.07	A111E6055S R/B	A111E6272S	2
07	Gasket, exhaust manifold	Also see 40.21		A111E6051S	1
08	Gasket, inlet manifold (green)	Also see 42.07	A111E6086S (black) R/B	B111E6086S	1
08a	Gasket, inlet manifold , VVC	Not illus., also see 42.07a	111S, Sport 135/160/190	A117E6097S	1
09	Liquid Sealant, cam carrier to head	Not illustrated, also bearing hsg. to block		A111E6172S	1
10	Gasket, coolant outlet spout			A111E6087S	1
11	Oil Rail	Not illustrated		A117E6112S	1
12	Dowel			A111E6175S	2

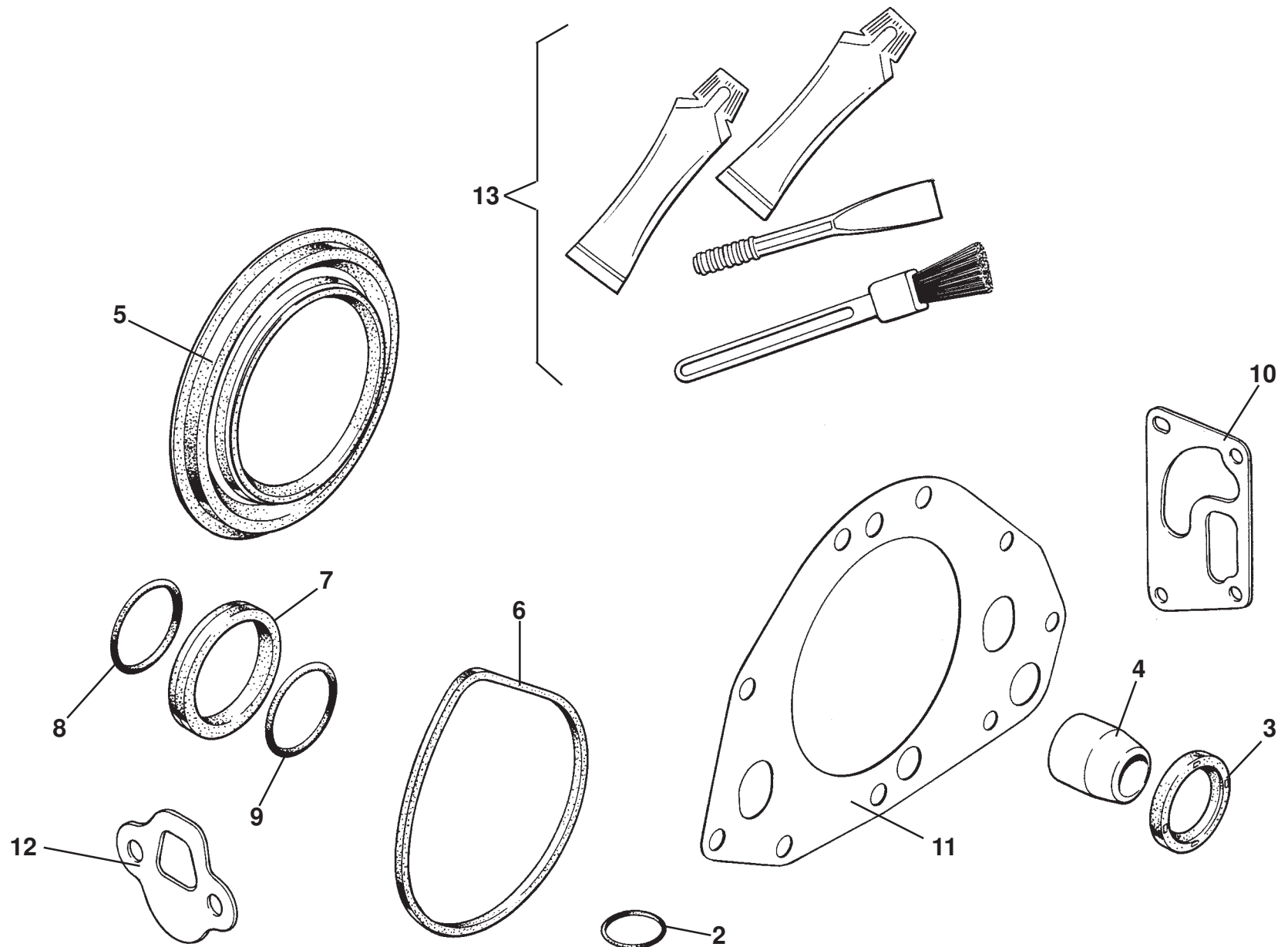
* See Service Bulletin 2010/04

** For 111S order VVC inlet manifold gasket, item 8a

ELISE

Function Code: 40.02, Page: 1

Updated 24th January 2013



ELISE
40.02a

Service Parts List *ELISE*



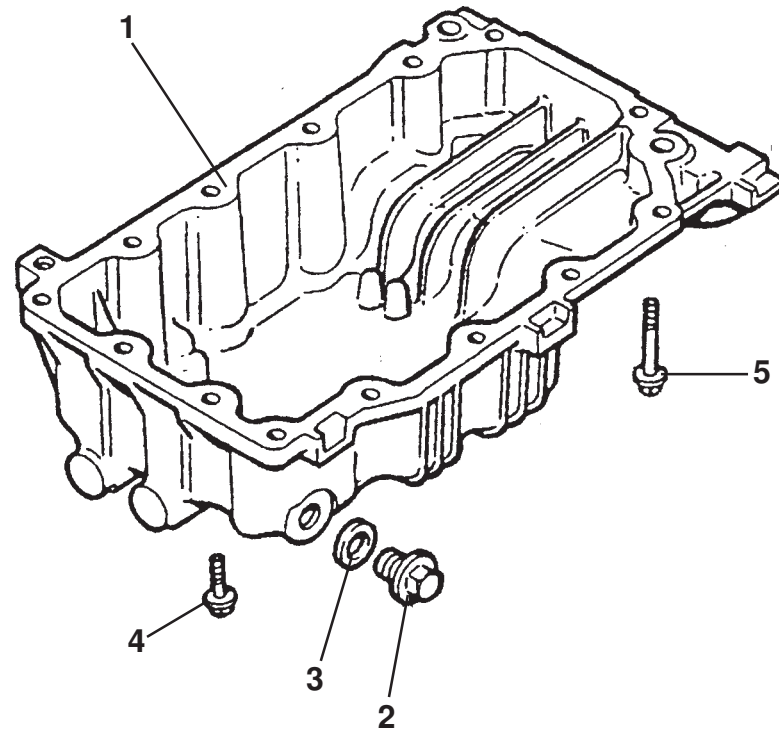
Function Code 40.02a Gaskets & Sealants, Bottom Overhaul Set

<u>Dep</u>	<u>Part Description</u>	<u>Remarks</u>	<u>Option</u>	<u>Part Number</u>	<u>Qty</u>
01	Bottom Overhaul Gasket Set	Comprises items 2 to 11		A111E6050S	1
02	"O" Ring, oil pick-up pipe	Also see 40.01		A111E6066S	1
03	Oil Seal, crankshaft front	Also see 40.11		A111E6054S	1
04	Fitting Tool, oil seal	Supplied with seal		T000T1286F	1
05	Oil seal, crankshaft rear	Also see 40.11		A111E6057S	1
06	Gasket, water pump	Also see 40.13		A111E6080S	1
07	Sealing Ring, thermostat to housing	Also see 40.13		A111E6084S	1
08	'O' Ring, thermostat housing to engine	Also see 40.13		A111E6067S	1
09	'O' Ring, water pipe to thermostat housing	Also see 40.13		A111E6067S	1
10	Gasket, oil filter housing	Also see 40.15		A111E6101S	1
11	Gasket, oil pump	Also see 40.15		A111E6053S	1
12	Gasket, dip stick tube	Also see 40.15		A111E6009F	1
13	Liquid Gasket Kit, for sump		A111E6048S R/B	A111E6172S	1
14	Liner Sealant	Not illustrated		A918E6069V	1

ELISE

Function Code: 40.02a, Page: 1

Updated 2nd February 2015

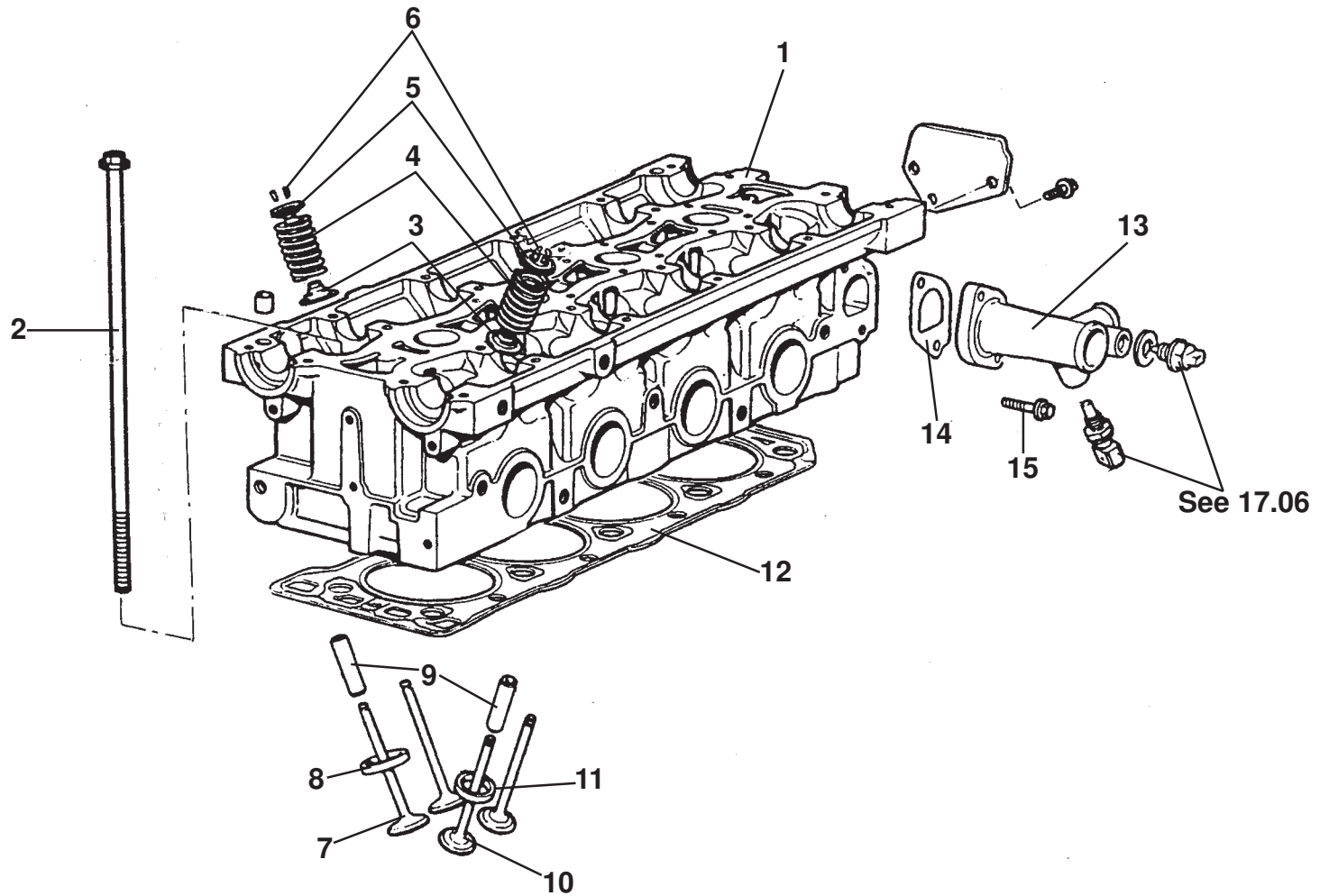


ELISE
40.03

Function Code 40.03 Sump Assembly

<u>Dep</u>	<u>Part Description</u>	<u>Remarks</u>	<u>Option</u>	<u>Part Number</u>	<u>Qty</u>
01	Oil Sump			A111E6089S	1
02	Sump Plug			A111E6077S	1
03	Washer, sump plug			A111E6035S	1
04	Fixing Bolt, M8 x 25, flg. hd.		A111E6187S R/B	B111E6187S	12
05	Fixing Bolt, M8 x 60, flg. hd.			A111E6343S	2
06	Sealant, Three Bond 1133E, sump to bearing ladder	Not illustrated	A111E6172S R/B	A117E6102S	1

ELISE



ELISE
40.05

Service Parts List *ELISE*



Function Code 40.05 Cylinder Head , Valves, Springs

<u>Dep</u>	<u>Part Description</u>	<u>Remarks</u>	<u>Option</u>	<u>Part Number</u>	<u>Qty</u>
01	Cylinder Head, bare	Includes cam carrier	Dynamic belt tensioner	A111E6242S	1
01a	Cylinder Head, bare, VVC	Includes cam carrier	111S	A111E6305S	1
01b	Cylinder Head, bare, VHPD	Includes cam carrier	Sport 190	A111E6247S	1
01c	Cylinder Head, bare, Lotus 160	Includes cam carrier	Sport 160	A111E6393J	1
02	Bolt, cylinder head fixing			A111E6111S	10
03	Spring Seat/Stem Seal			A111E6171S	16
04	Valve Spring			A111E6096S	16
04a	Valve Spring, VVC		111S	A111E6315S	16
04b	Valve Spring, VHPD		Sport 190	A111E6251S	16
05	Valve Spring Cap			A111E6211S	16
05a	Valve Spring Cap, VHPD		Sport 190	A111E6250S	16
06	Valve Collet			A111E6110S	32
07	Inlet Valve			A111E6094S	8
07a	Inlet Valve, VVC/VHPD		111S, Sport 190	A111E6313S	8
08	Valve Seat Insert, inlet		Prior engine 637368	A111E6333S	8
08a	Valve Seat Insert, inlet		From engine 637368	A111E6455S	8
08b	Valve Seat Insert, inlet, VVC/VHPD		111S, prior eng. 147263	A111E6308S	8
08c	Valve Seat Insert, inlet, VVC/VHPD		111S, from eng. 147263	A111E6457S	8

ELISE

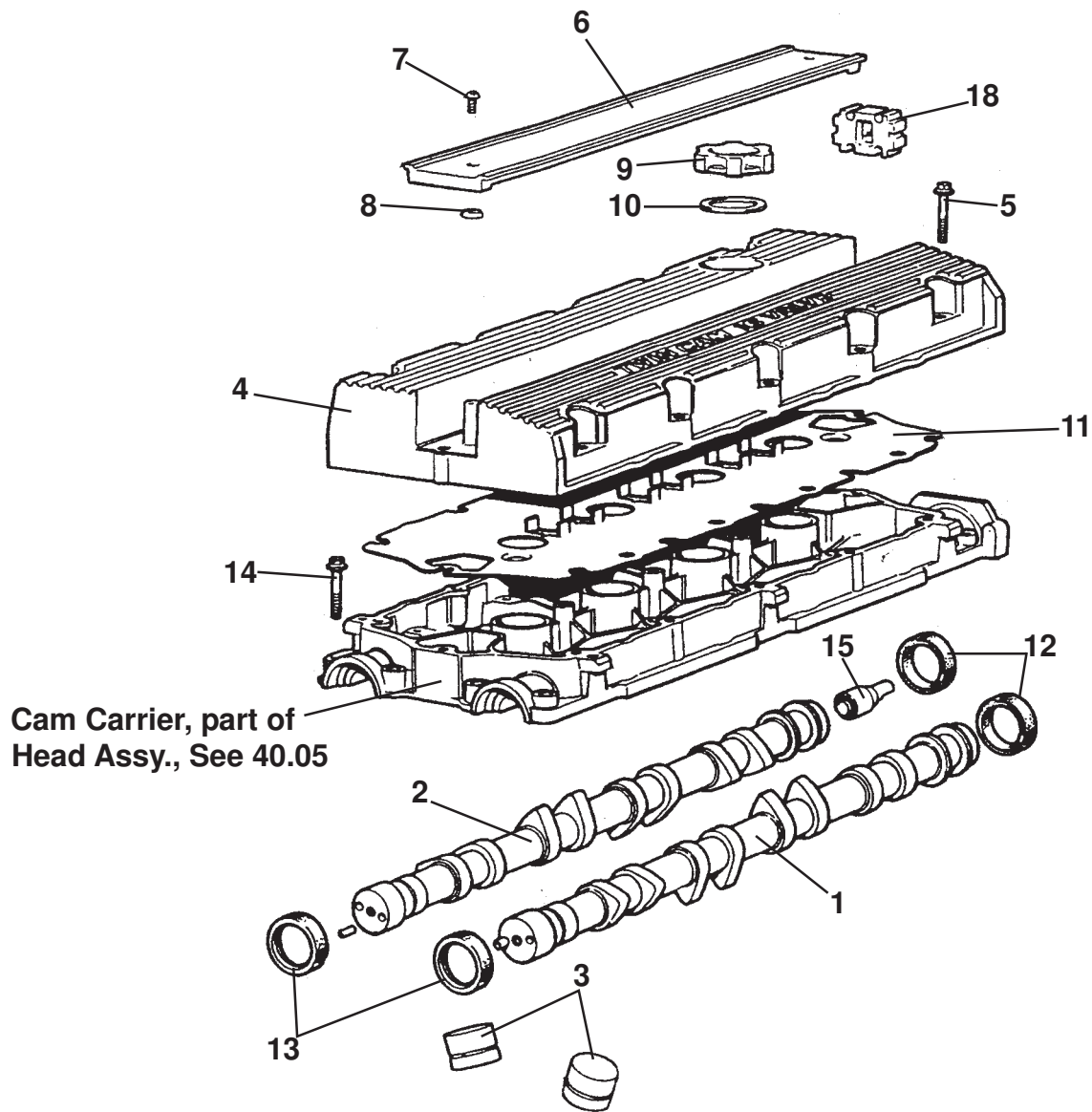
Function Code: 40.05, Page: 1

Updated 24th June 2011

Function Code 40.05 Cylinder Head , Valves, Springs

<u>Dep</u>	<u>Part Description</u>	<u>Remarks</u>	<u>Option</u>	<u>Part Number</u>	<u>Qty</u>
09	Valve Guide, standard, plain,			A111E6306S	16
09a	Valve Guide, oversize, grooved/stepped			A111E6307S	16
10	Exhaust Valve			A111E6095S	8
10a	Exhaust Valve, VVC/VHPD		111S, Sport 190	A111E6314S	8
11	Valve Seat Insert, exhaust		Prior engine 637368	A111E6334S	8
11a	Valve Seat Insert, exhaust		From engine 637368	A111E6454S	8
11b	Valve Seat Insert, exhaust, VVC/VHPD	Also Sport 190	111S, prior eng. 147263	A111E6309S	8
11c	Valve Seat Insert, exhaust, VVC/VHPD	Also Sport 190	111S, from eng. 147263	A111E6456S	8
12	Gasket, cylinder head	See 40.02			1
13	Outlet Spout			A111E6407S	1
14	Gasket, outlet spout			A111E6087S	1
15	Setscrew, spout to head			A111E6168S	2

ELISE**Function Code: 40.05, Page: 2****Updated 24th June 2011**



ELISE
40.07

Service Parts List *ELISE*



Function Code 40.07 Camshafts, Tappets, Cam Cover

<u>Dep</u>	<u>Part Description</u>	<u>Remarks</u>	<u>Option</u>	<u>Part Number</u>	<u>Qty</u>
01	Exhaust Camshaft			A111E6206S	1
01a	Exhaust Camshaft, 160		Sport 160	A111E6396S	1
01b	Exhaust Camshaft, VHPD		Sport 190	A111E6253S	1
02	Inlet Camshaft			A111E6207S	1
02a	Inlet Camshaft, 160		Sport 160	A111E6397S	1
02b	Inlet Camshaft, VHPD		Sport 190	A111E6262S	1
03	Tappet, hydraulic			A111E6097S	16
03a	Tappet, solid, VHPD		Sport 190	A111E6248S	16
04	Camshaft Cover			A111E6174S	1
05	Bolt, cam cover to head			A111E6160S	15
06	Spark Plug Cover, black			A111E0003F	1
06a	Spark Plug Cover, red, VHPD	Motorsport	Sport 190	A111E6267S	1
07	Screw, spark plug cover to head			A111W5210F	2
08	Retainer, screw, cover fixing			A111W6540F	2
09	Oil Filler Cap			A111E6039S	1
10	Seal, oil filler cap			A111E6056S	1
11	Gasket, camshaft cover	Also see 40.02		A111E6052S	1
12	Oil Seal, camshaft, rear, brown	Also see 40.02	A111E6055S R/B	A111E6271S	2

ELISE

Function Code: 40.07, Page: 1

Updated 6th November 2010

Function Code 40.07 Camshafts, Tappets, Cam Cover

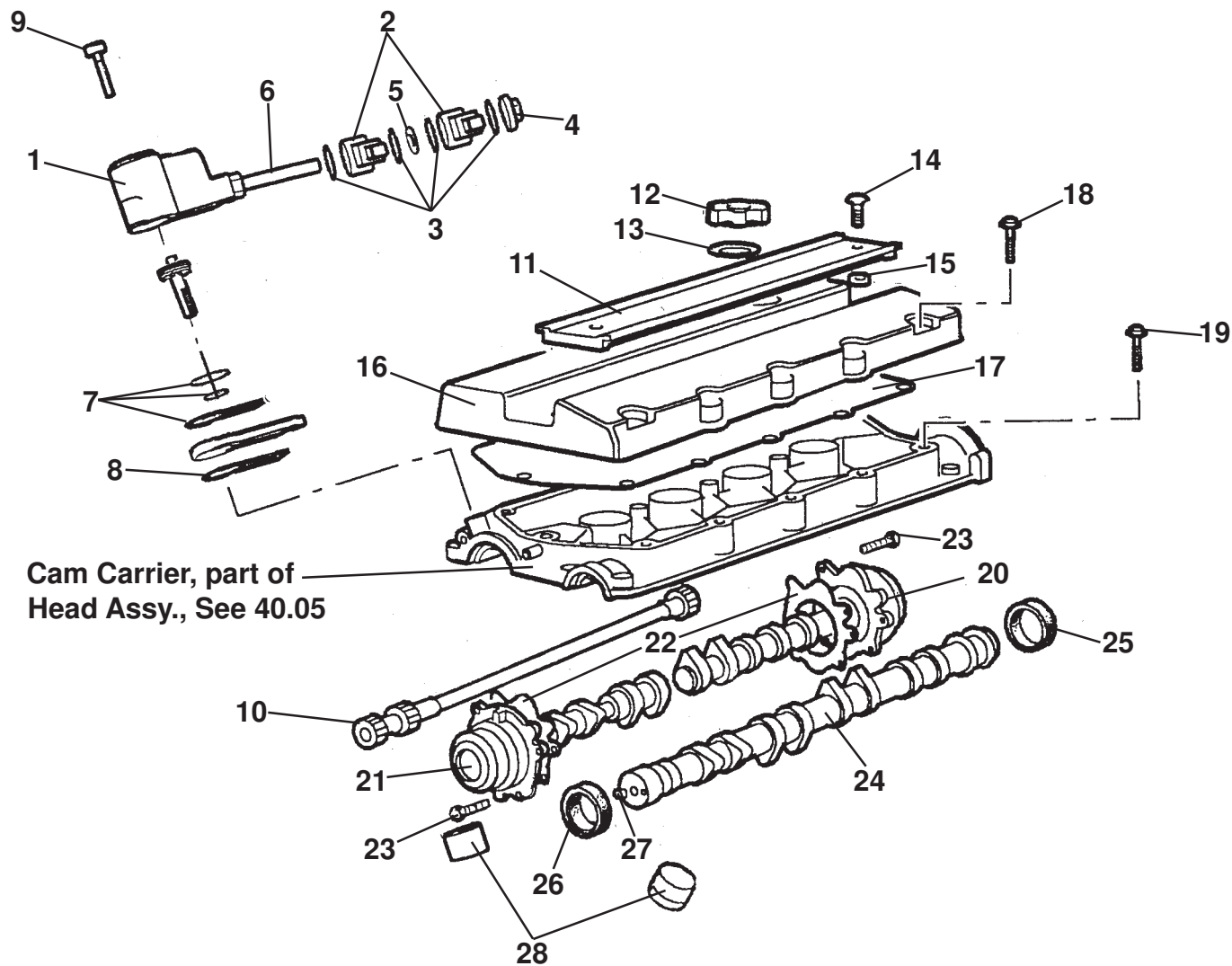
<u>Dep</u>	<u>Part Description</u>	<u>Remarks</u>	<u>Option</u>	<u>Part Number</u>	<u>Qty</u>
13	Oil Seal, camshaft, front, black	Also see 40.02	A111E6055S R/B	A111E6272S	2
14	Bolt, flg. hd., cam carrier to head			A111E6311S	20
15	Inlet camshaft with rotor arm drive			A111E6208S	1
16	Roll Pin, cam drive locn.			A111E6292S	2
17	Bolt, flg. hd., cam carrier to head	Not illustrated		A111E6312S	4
18	Grommet, plug leads retaining			A111E6368S	1
18j	Shim, tappet adjusting VHPD, 0.115"	Not illustrated	Sport 190	A111E6431S	As req.
19	Shim, tappet adjusting VHPD, 0.105"	Not illustrated	Sport 190	A111E6421S	As req.
19a	Shim, tappet adjusting VHPD, 0.106"	Not illustrated	Sport 190	A111E6422S	As req.
19b	Shim, tappet adjusting VHPD, 0.107"	Not illustrated	Sport 190	A111E6423S	As req.
19c	Shim, tappet adjusting VHPD, 0.108"	Not illustrated	Sport 190	A111E6424S	As req.
19d	Shim, tappet adjusting VHPD, 0.109"	Not illustrated	Sport 190	A111E6425S	As req.
19e	Shim, tappet adjusting VHPD, 0.110"	Not illustrated	Sport 190	A111E6426S	As req.
19f	Shim, tappet adjusting VHPD, 0.111"	Not illustrated	Sport 190	A111E6427S	As req.
19g	Shim, tappet adjusting VHPD, 0.112"	Not illustrated	Sport 190	A111E6428S	As req.
19h	Shim, tappet adjusting VHPD, 0.113"	Not illustrated	Sport 190	A111E6429S	As req.
19i	Shim, tappet adjusting VHPD, 0.114"	Not illustrated	Sport 190	A111E6430S	As req.
19k	Shim, tappet adjusting VHPD, 0.116"	Not illustrated	Sport 190	A111E6432S	As req.
19l	Shim, tappet adjusting VHPD, 0.117"	Not illustrated	Sport 190	A111E6433S	As req.
19m	Shim, tappet adjusting VHPD, 0.118"	Not illustrated	Sport 190	A111E6436S	As req.
19n	Shim, tappet adjusting VHPD, 0.119"	Not illustrated	Sport 190	A111E6437S	As req.

ELISE

Function Code 40.07 Camshafts, Tappets, Cam Cover

<u>Dep</u>	<u>Part Description</u>	<u>Remarks</u>	<u>Option</u>	<u>Part Number</u>	<u>Qty</u>
19o	Shim, tappet adjusting VHPD, 0.120"	Not illustrated	Sport 190	A111E6438S	As req.
19p	Shim, tappet adjusting VHPD, 0.121"	Not illustrated	Sport 190	A111E6439S	As req.
19q	Shim, tappet adjusting VHPD, 0.122"	Not illustrated	Sport 190	A111E6440S	As req.
19r	Shim, tappet adjusting VHPD, 0.123"	Not illustrated	Sport 190	A111E6441S	As req.
19s	Shim, tappet adjusting VHPD, 0.124"	Not illustrated	Sport 190	A111E6442S	As req.
19t	Shim, tappet adjusting VHPD, 0.125"	Not illustrated	Sport 190	A111E6443S	As req.
19u	Shim, tappet adjusting VHPD, 0.126"	Not illustrated	Sport 190	A111E6444S	As req.
19v	Shim, tappet adjusting VHPD, 0.127"	Not illustrated	Sport 190	A111E6445S	As req.
19w	Shim, tappet adjusting VHPD, 0.128"	Not illustrated	Sport 190	A111E6446S	As req.
19ww	Shim, tappet adjusting VHPD, 0.129"	Not illustrated	Sport 190	A111E6447S	As req.
19x	Shim, tappet adjusting VHPD, 0.130"	Not illustrated	Sport 190	A111E6448S	As req.
19xx	Shim, tappet adjusting VHPD, 0.131"	Not illustrated	Sport 190	A111E6449S	As req.
19y	Shim, tappet adjusting VHPD, 0.132"	Not illustrated	Sport 190	A111E6450S	As req.
19yy	Shim, tappet adjusting VHPD, 0.133"	Not illustrated	Sport 190	A111E6451S	As req.
19z	Shim, tappet adjusting VHPD, 0.134"	Not illustrated	Sport 190	A111E6452S	As req.
19zz	Shim, tappet adjusting VHPD, 0.135"	Not illustrated	Sport 190	A111E6453S	As req.

ELISE



ELISE
40.07a

Service Parts List *ELISE*



Function Code 40.07a Camshafts, Tappets, Cam Cover VVC

<u>Dep</u>	<u>Part Description</u>	<u>Remarks</u>	<u>Option</u>	<u>Part Number</u>	<u>Qty</u>
01	Hydraulic Control Unit Assembly	Includes items 2 to 8	111S	A111E6294S	1
01a	Hydraulic Control Unit, less solenoid valves	Includes items 7,8	111S	A111E6295S	1
02	Solenoid Control Valve		111S	A111E6300S	2
03	Kit,control valve seal		111S	A111E6303S	1
04	Nut, control valve		111S	A111E6301S	1
05	Washer, control valve		111S	A111E6302S	1
06	Valve Control Assembly, with solenoid valves	Includes items 2,3,4,5	111S	A111E6298S	1
06a	Valve Control, less solenoid valves		111S	A111E6299S	1
07	Kit, hydraulic control unit seals		111S	A111E6296S	1
08	Gasket, hydraulic unit to cam carrier		111S	A111E6297S	1
09	Bolt, control unit fix.		111S	A111E6304S	3
10	Control Shaft		111S	A111E6290S	1
11	Spark Plug Cover, red		111S	A111E0041F	1
12	Oil Filler Cap			A111E6039S	1
13	Seal, oil filler cap			A111E6056S	1
14	Screw, spark plug cover to head			A111W5210F	2
15	Retainer, screw, cover fixing			A111W6540F	2
16	Camshaft Cover		111S	A111E6293S	1

ELISE

Function Code: 40.07a, Page: 1

Updated 6th November 2010

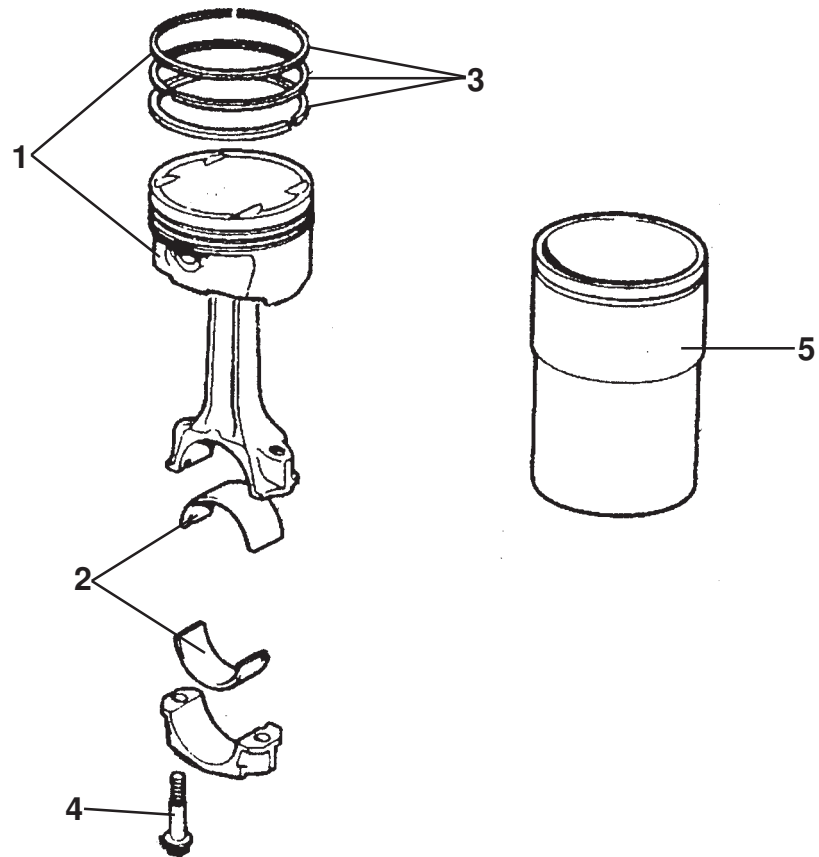
Function Code 40.07a Camshafts, Tappets, Cam Cover VVC

<u>Dep</u>	<u>Part Description</u>	<u>Remarks</u>	<u>Option</u>	<u>Part Number</u>	<u>Qty</u>
17	Gasket, camshaft cover	Also see 40.02/02b	111S	A111E6052S	1
18	Bolt, cam cover to head		111S	A111E6160F	15
19	Bolt, flg. hd., cam carrier to head			A111E6311S	20
20	VVC Mechanism/Cam, rear	Includes items 22,25	111S	A111E6288S	1
21	VVC Mechanism/Cam, front	Includes items 22,26	111S	A111E6286S	1
22	Gasket, VVC mechanism to head	Also see 40.02b	111S	A111E6287S	2
23	Bolt, VVC mechanism to head		111S	A111E6289S	8
24	Exhaust Camshaft, VVC		111S	A111E6291S	1
25	Oil Seal, camshaft, rear, red	Also see 40.02		A111E6271S	2
26	Oil Seal, camshaft, front, black	Also see 40.02		A111E6272S	2
27	Roll Pin, cam drive locn.			A111E6292S	2
28	Tappet, VVC		111S	A111E6316S	16
29	Bolt, flg. hd., cam carrier to head	Not illustrated		A111E6312S	4

ELISE

Function Code: 40.07a, Page: 2

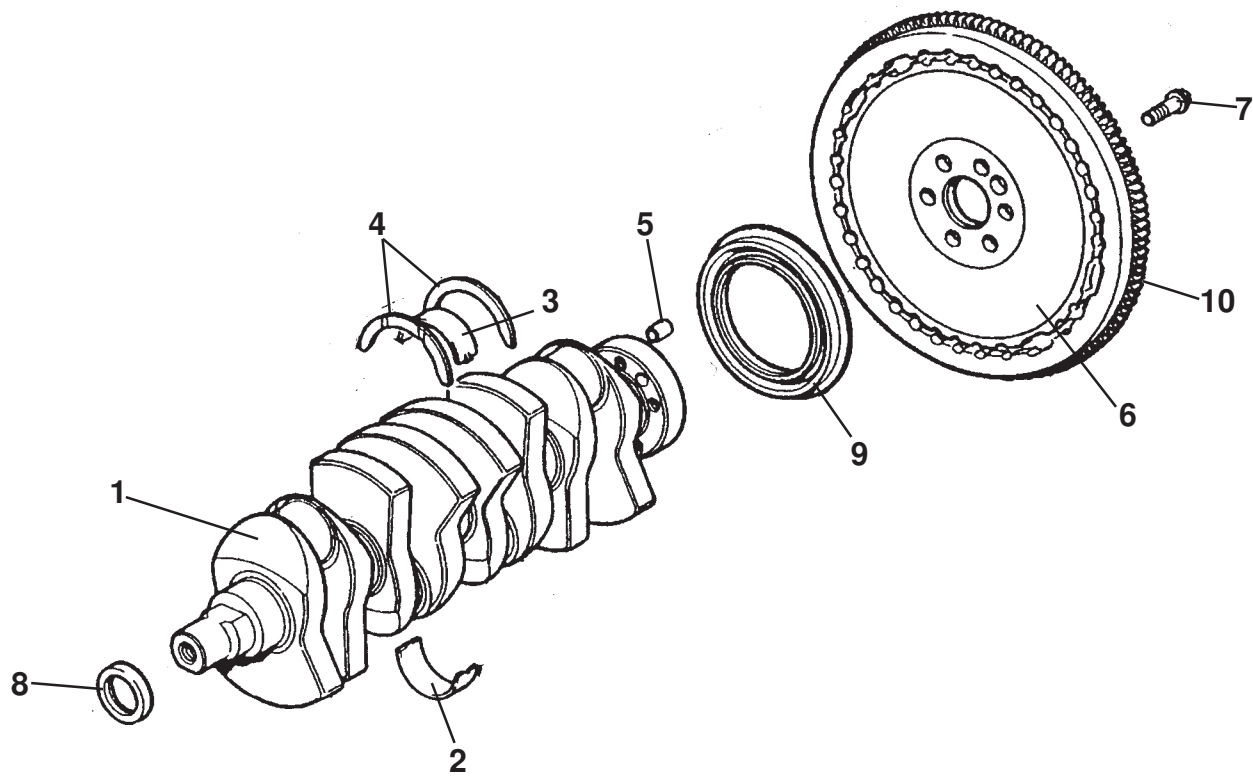
Updated 6th November 2010



ELISE
40.09

Function Code 40.09 Pistons, Con-rods, Liners

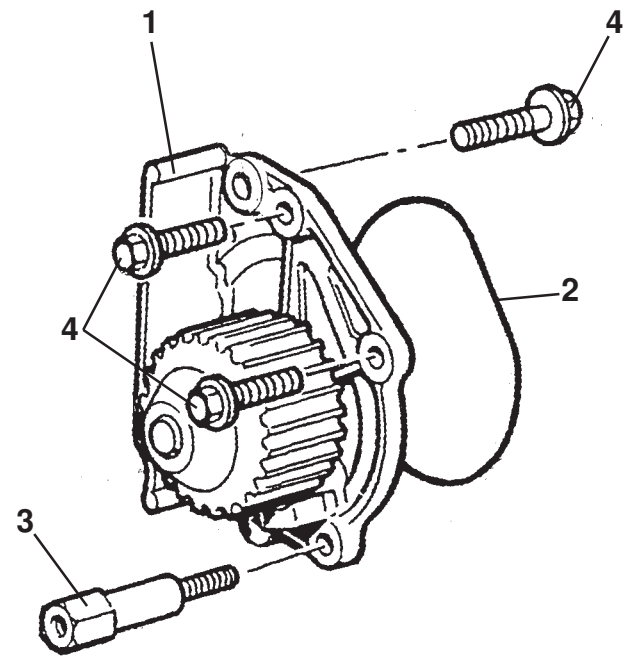
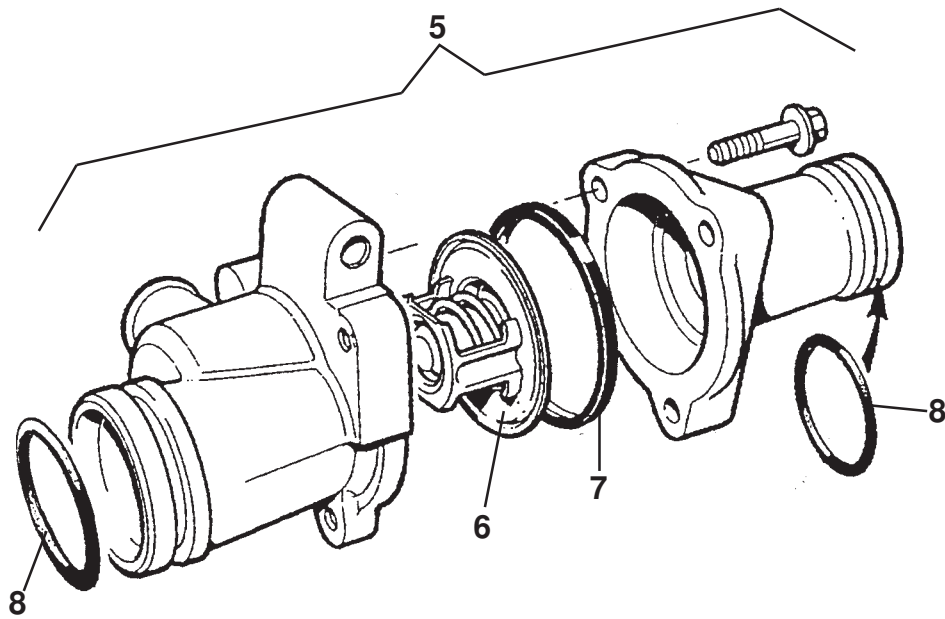
<u>Dep</u>	<u>Part Description</u>	<u>Remarks</u>	<u>Option</u>	<u>Part Number</u>	<u>Qty</u>
01	Piston & Con-rod Assembly, grade A	Stamped on piston crown		A111E6114S	4
01a	Piston & Con-rod Assembly, grade B	Stamped on piston crown		A111E6115S	4
01b	Piston & Con-rod Assembly, VVC, grade B		111S	A111E6332S	4
02	Con-rod Bearings, blue			A111E6203S	8
02a	Con-rod Bearings, red			A111E6204S	8
02b	Con-rod Bearings, yellow			A111E6205S	8
03	Piston Ring Set	Piston set		A111E6166S	4
04	Cap Screw, big end fix.			A111E6342S	8
05	Liner, grade A			A111E6112S	4
05a	Liner, grade B			A111E6113S	4
06	Piston, VHPD	Not illustrated, incl. second ring	Sport 190	A111E6254S	4
07	Con-rod, VHPD	Not illustrated	Sport 190	A111E6265S	4
08	Top Ring, VHPD	Not illustrated	Sport 190	A111E6255S	4
09	Oil Control Ring, VHPD	Not illustrated	Sport 190	A111E6256S	4
10	Connecting Rod, VHPD	Not illustrated	Sport 190	A111E6265S	4
11	Liner Sealant	Not illustrated		A918E6069V	As req.



ELISE
40.11

Function Code 40.11 Crankshaft, Bearings, Flywheel

<u>Dep</u>	<u>Part Description</u>	<u>Remarks</u>	<u>Option</u>	<u>Part Number</u>	<u>Qty</u>
01	Crankshaft			A111E6194S	1
01b	Crankshaft, VHPD		Sport 190	A111E6257S	1
02	Main Bearing, plain, blue			A111E6196S	7
02a	Main Bearing, plain, red			A111E6197S	7
02b	Main Bearing, plain green			A111E6198S	7
03	Main Bearing, grooved, blue			A111E6199S	3
03a	Main Bearing, grooved, red			A111E6200S	3
03b	Main Bearing, grooved, green			A111E6201S	3
04	Thrust Washer			A111E6202S	2
05	Ring Dowel, crank to flywheel			A111E6195S	1
05a	Ring Dowel, crank to flywheel, VHPD		Sport 190	A111E6266S	1
06	Flywheel		Common	A111E6131S	1
06b	Flywheel, VHPD		Sport 190	A111E6258S	1
07	Bolt, flywheel fix.			A111E6129S	6
08	Oil Seal, crankshaft front	Also see 40.02		A111E6054S	1
09	Oil Seal, crankshaft rear	Also see 40.02		A111E6057S	1
10	Ring Gear, starter			A111E6130S	1

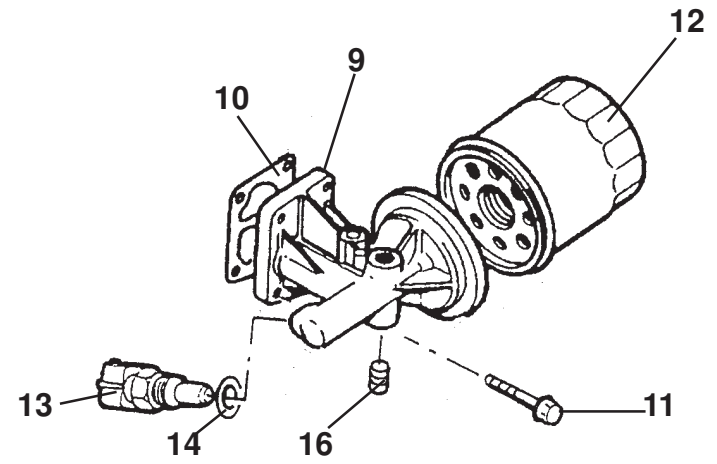
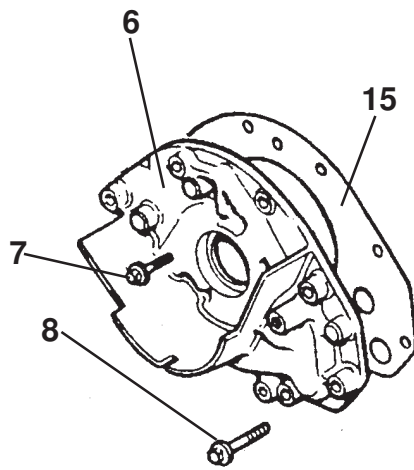
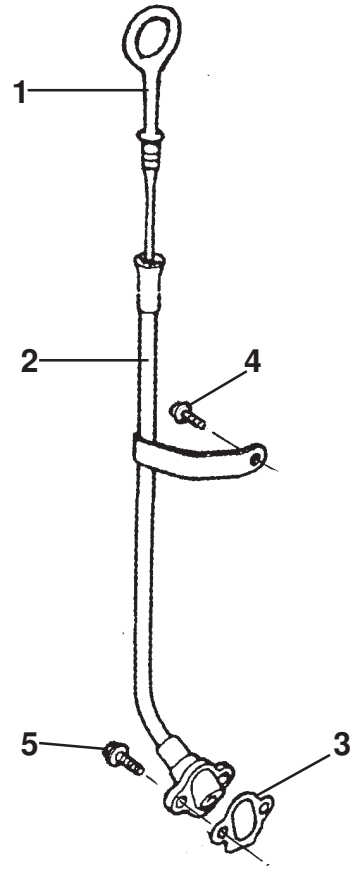


ELISE
40.13

Function Code 40.13 Water Pump Assembly, Thermostat

<u>Dep</u>	<u>Part Description</u>	<u>Remarks</u>	<u>Option</u>	<u>Part Number</u>	<u>Qty</u>
01	Water Pump Assembly	Includes 'O' ring		A111E6088S	1
02	'O' Ring, water pump	Also see 40.02a		A111E6080S	1
03	Pillar Bolt			A111E6361S	1
04	Bolt, water pump fix.			A111E6341S	5
05	Thermostat Housing Assembly	Includes items 6, 7, 8		A111E6182S	1
06	Thermostat			A111E6085S	1
07	Sealing Ring, thermostat	Also see 40.02		A111E6084S	1
08	'O' Ring, thermostat housing	Also see 40.02		A111E6067S	2

ELISE

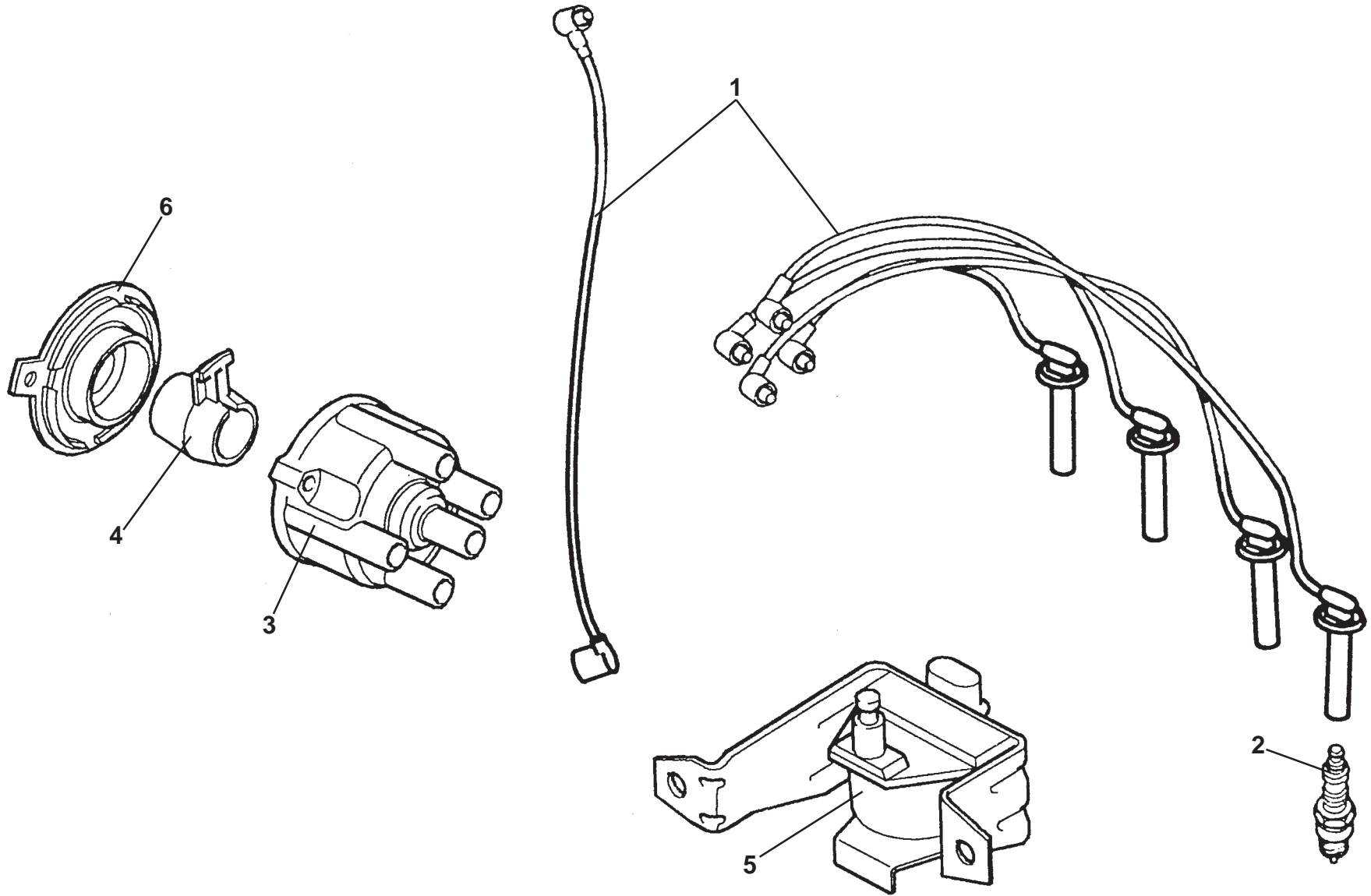


ELISE
40.15

Function Code 40.15 Lubrication System

<u>Dep</u>	<u>Part Description</u>	<u>Remarks</u>	<u>Option</u>	<u>Part Number</u>	<u>Qty</u>
01	Dipstick			A111E6004F	1
02	Dipstick Tube		A111E6005F R/B	B111E0001F	1
03	Gasket, dipstick tube	Also see 40.02		A111E6009F	1
04	Bolt, dipstick tube bracket to block			A111E6006F	1
05	Bolt, dipstick tube flange to block			A111E6007F	2
06	Oil Pump Assembly			A111E6122S	1
06a	Oil Pump Repair Kit	Not illustrated		A111E6346S	1
07	Bolt, flg. hd., oil pump to block			A111E6289S	1
08	Bolt, flg. hd., oil pump to block			A111E6360S	8
09	Oil Filter Housing	Oil cooler type see 46.03		A111E6076S	1
10	Gasket, oil filter housing	Also see 40.02		A111E6101S	1
11	Bolt, oil filter housing to block			A111E6168S	4
12	Engine Oil Filter			A111E6038S	1
13	Oil Pressure Switch, 1/8" NPSF		Prior to 18K4FJ31633935	A111E6099S	1
13a	Oil Pressure Switch, M12 x 1.5mm		From 18K4FJ31633935	A111E6179S	1
14	Washer, oil pressure switch			A111E6180S	1
15	Gasket, oil pump	Also see 40.02		A111E6053S	1
16	Blanking Plug, oil filter housing			A111N6000F	1

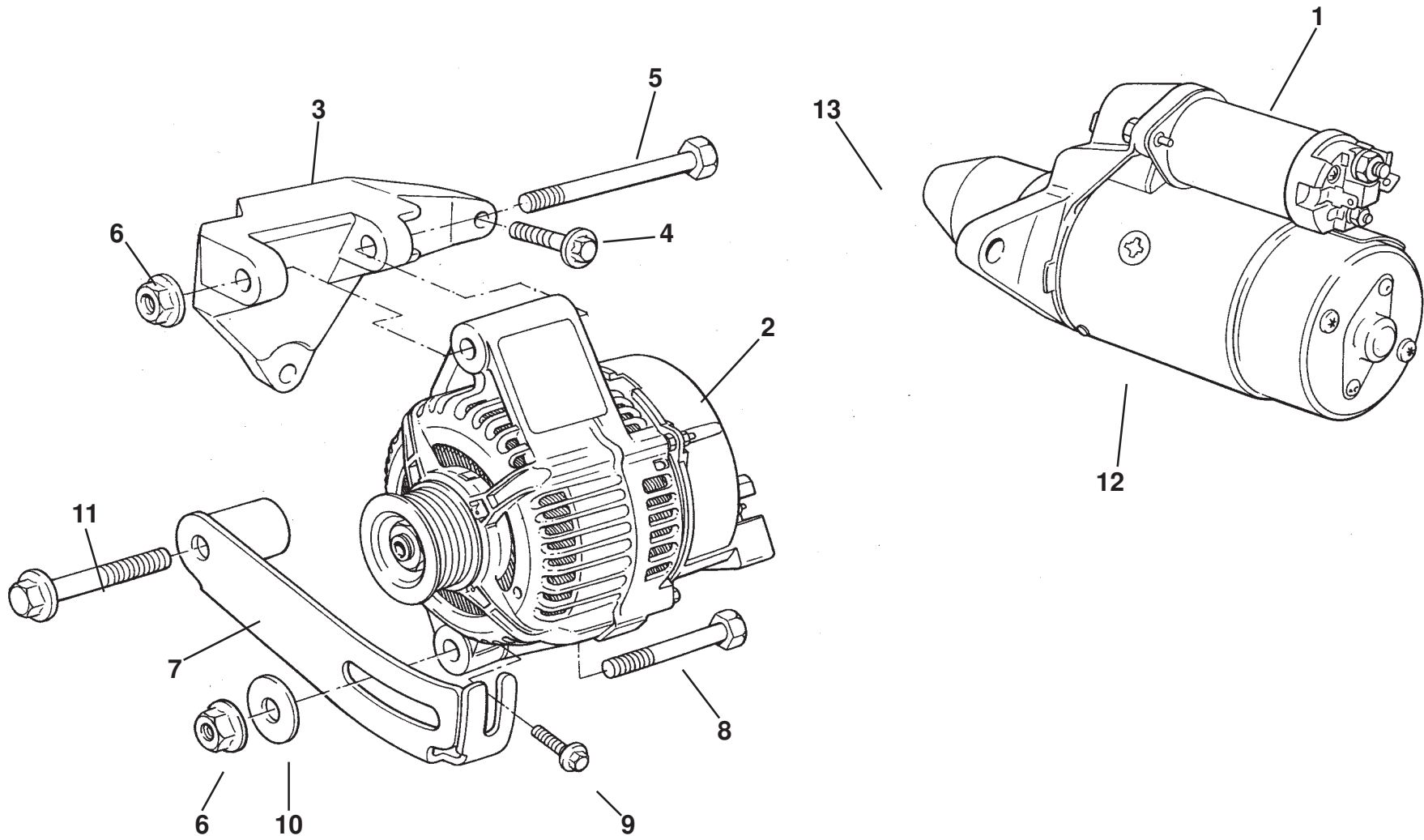
ELISE



ELISE
40.17

Function Code 40.17 Ignition System, Spark plugs & Plug Top Coils

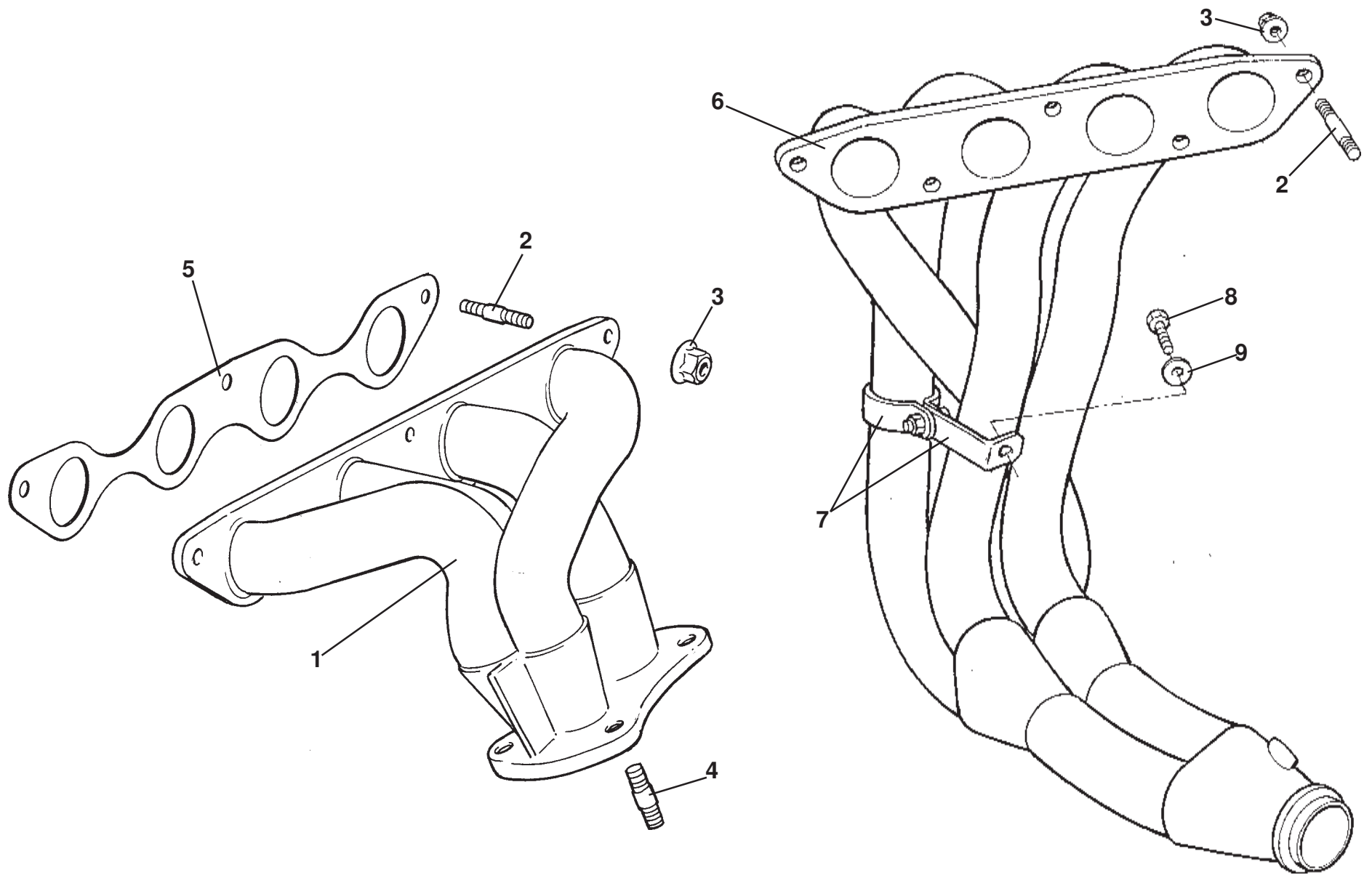
<u>Dep</u>	<u>Part Description</u>	<u>Remarks</u>	<u>Option</u>	<u>Part Number</u>	<u>Qty</u>
01	HT Lead Set			A111E6040S	1
01a	HT Lead Set, VVC		111S	A111E6281S	1
02	Spark Plug	NGK PFR 6N-11	Standard, 111S, Sport 135/160	A111E6043S	4
02a	Spark Plug, 190 VHPD	Champion RC6 YCC	Sport 190	A111E6285S	4
03	Distributor Cap			A111E6037S	1
04	Rotor Arm			A111E6042S	1
05	Ignition Coil			A111E6036S	1
05a	Ignition Coil, VVC		111S	A111E6235S	1
06	Oil Deflector Plate			A111E6367S	1
07	Grub Screw, rotor arm fix.	Not illustrated		A111E6181S	1



ELISE
40.19

Function Code 40.19 Alternator and Starter Motor

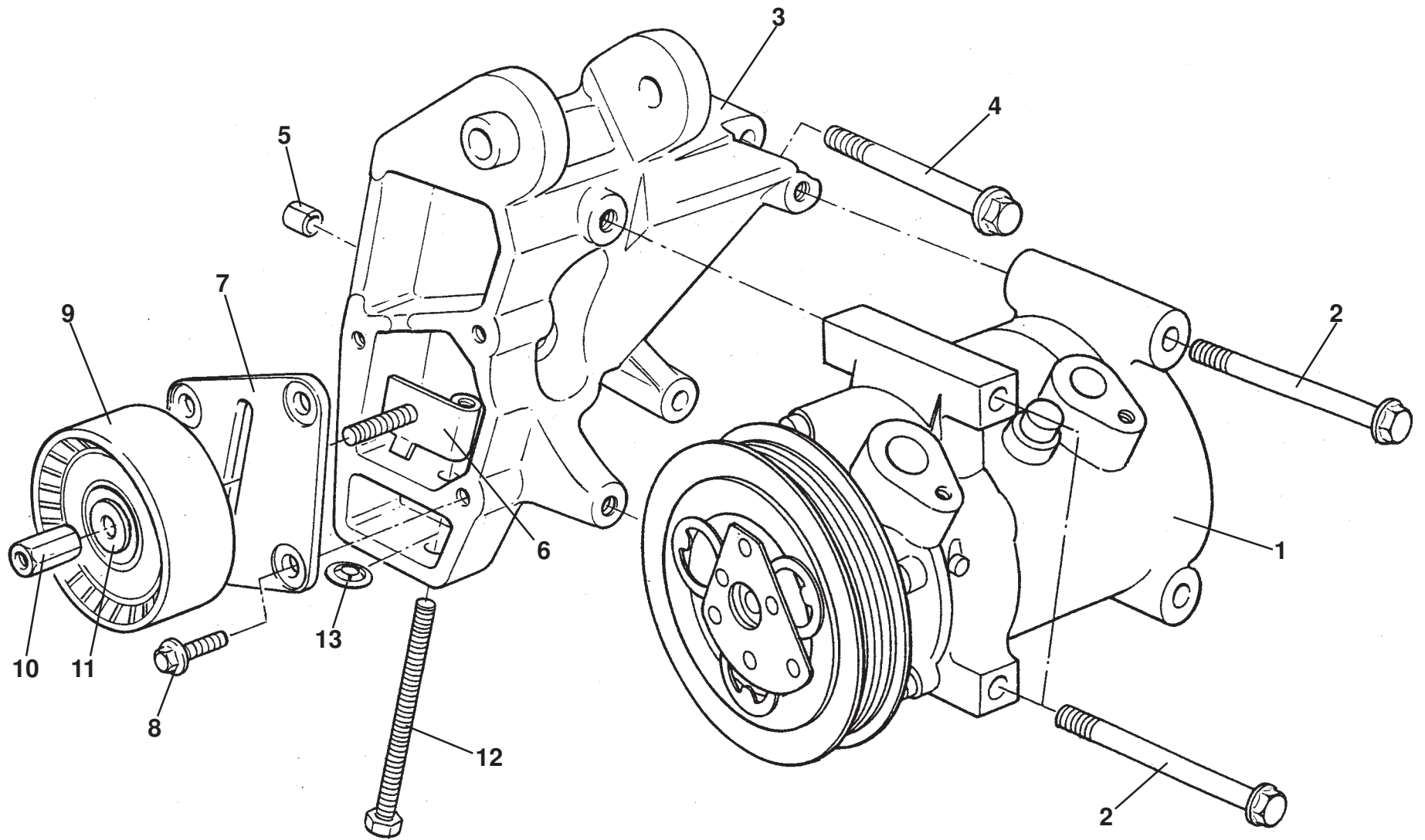
<u>Dep</u>	<u>Part Description</u>	<u>Remarks</u>	<u>Option</u>	<u>Part Number</u>	<u>Qty</u>
01	Starter Motor, 1KW		Prior to VIN: V0685	A111E6083S	1
01a	Starter Motor, 1.4KW		VIN: V0685 on	A111E6091S	1
02	Alternator			A111E6082S	1
03	Alternator Bracket		Heater cars	A111E6236S	1
03a	Alternator Bracket, upper	Also uses compressor bracket, see 40.23	AC cars	A111E0068F	1
04	Bolt, flg. hd., bracket to block			A111E6241S	3
05	Bolt, hex. hd., M10 x 100, alternator to top bracket			A111E6105F	1
06	Nut, flg. hd., alternator to bracket			A111E6183S	2
07	Alternator Adjustment Link	Includes spacer & bolt, item 11		A111E6238S	1
08	Bolt, hex. hd., alternator to link			A111E6239S	1
09	Setscrew, flg. hd., alternator adjustment			A111E6241S	1
10	Washer, flat			A111E6240S	1
11	Bolt, M10 x 50, flg. hd., link to block			A111E6237S	1
12	Bolt. M12 x 90, flg. hd. starter motor fix.			A111F6176S	2
13	Flange Nut, M12, starter motor fix.		A111F6178S R/B	A111W3155F	2



ELISE
40.21

Function Code 40.21 Exhaust Manifold

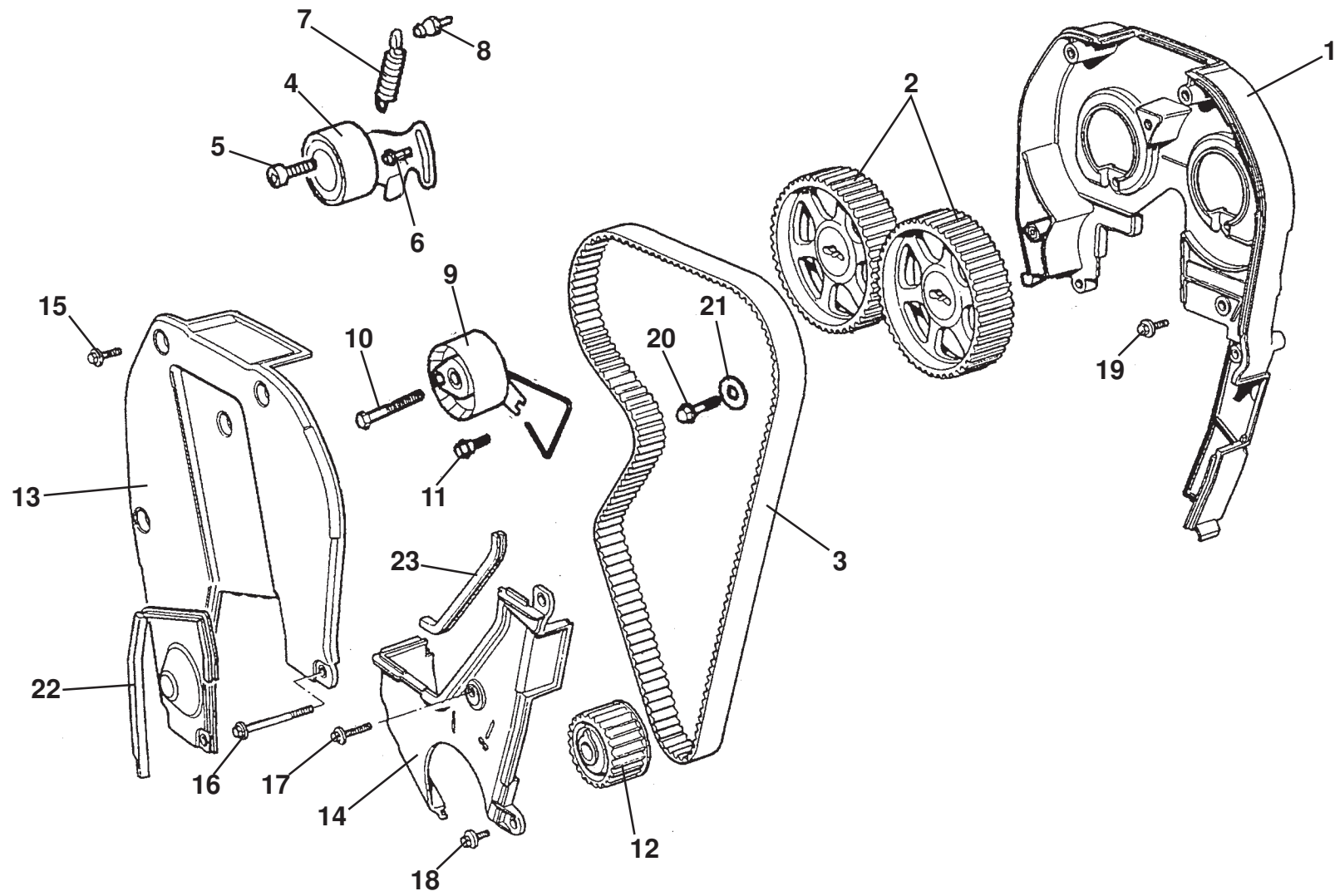
<u>Dep</u>	<u>Part Description</u>	<u>Remarks</u>	<u>Option</u>	<u>Part Number</u>	<u>Qty</u>
01	Manifold, exhaust			A111E6073S	1
02	Stud, manifold to cylinder head			A111E6148S	5
03	Nut, manifold to cylinder head			A111E6149S	5
04	Stud, manifold to downpipe			A111E6065S	4
05	Gasket, manifold to head	Also see section 40.02		A111E6051S	1
06	Manifold, exhaust		Sport 160	A340S6000F	1
07	Stabiliser Bracket/Clamp Assembly	Includes fixings	Sport 160	A340S6002F	1
08	Setscrew, M10 x 25, hex. hd., bracket to block		Sport 160	A340W0001F	1
09	Washer, flat, M10 x 25		Sport 160	A075W6237Z	1



ELISE
40.23

Function Code 40.23 AC Compressor

<u>Dep</u>	<u>Part Description</u>	<u>Remarks</u>	<u>Option</u>	<u>Part Number</u>	<u>Qty</u>
01	Compressor, AC			A111E6106F	1
02	Bolt, compressor to bracket			A111E6108F	3
03	Bracket, compressor to block	Also supports alternator		A111E0069F	1
04	Bolt, M10 x 80, flg. hd., bracket to block			A111E6417F	5
05	Dowel, bracket to block			A111E6416F	3
06	Spindle, pulley adjusting			A111E6413F	1
07	Plate, spindle retention			A111E6412F	1
08	Screw, flg. hd., plate to bracket			A111E6411F	3
09	Pulley, auxiliary belt tensioning			A111E6410F	1
10	Clamp Nut, pulley to spindle			A111E6408F	1
11	Washer, flat, M8, pulley to spindle			A111E6409F	1
12	Screw, hex. hd., pulley adjusting			A111E6414F	1
13	Retainer, adjusting screw			A111E6415F	1



ELISE
41.01

Service Parts List *ELISE*



Function Code 41.01 Camshaft Belts, Guards & Pulleys

<u>Dep</u>	<u>Part Description</u>	<u>Remarks</u>	<u>Option</u>	<u>Part Number</u>	<u>Qty</u>
01	Cover, rear, timing belt			A111E6121S	1
02	Camshaft Pulley, inlet and exhaust			A111E6156S	2
02a	Camshaft Pulley, exhaust	Improved driveability upgrade	Sport 160	A111E0082S	1
03	Timing Belt, 143 teeth, 22mm wide (static tensioner)	To Oct. '98, see below*	To engine: see below*	A111E6044S	1
03a	Timing Belt, 145 teeth, 26mm wide (dynamic tensioner)	From Oct.'98, see below*	From engine: see below*	A111E6246S	1
04	Tensioner Assembly, static	To Oct. '98, see below*	To engine: see below*	A111E6117S	1
05	Clamp Screw, M10, belt tensioner	To Oct. '98, see below*	To engine: see below*	A111E6116S	1
06	Adjusting Bolt	To Oct. '98, see below*	To engine: see below*	A111E6230S	1
07	Spring and Sleeve, belt tensioner	To Oct. '98, see below*	To engine: see below*	A111E6118S	1
08	Pillar Bolt	To Oct. '98, see below*	To engine: see below*	A111E6231S	1
09	Tensioner Assembly, dynamic	From Oct.'98, see below*	From engine: see below*	A111E6243S	1
10	Clamp Screw, M8, belt tensioner	From Oct.'98, see below*	From engine: see below*	A111E6244S	1
11	Shoulder Bolt, tensioner spring abutment	From Oct.'98, see below*	From engine: see below*	A111E6245S	1
12	Crankshaft Pulley, timing belt, 22mm wide	For static tensioner except VVC	to engine: see below*	A111E6157S	1
12a	Crankshaft Pulley, timing belt, 26mm wide	For dynamic tensioner and VVC	From engine: see below*	A111E6274S	1
13	Cover, upper front, timing belt			A111E6119S	1
14	Cover, lower front, timing belt			A111E6120S	1
15	Screw, M6 x 35, flg. hd., upper cover fix.			A111E6386S	1

ELISE

Function Code: 41.01, Page: 1

Updated 2nd February 2015

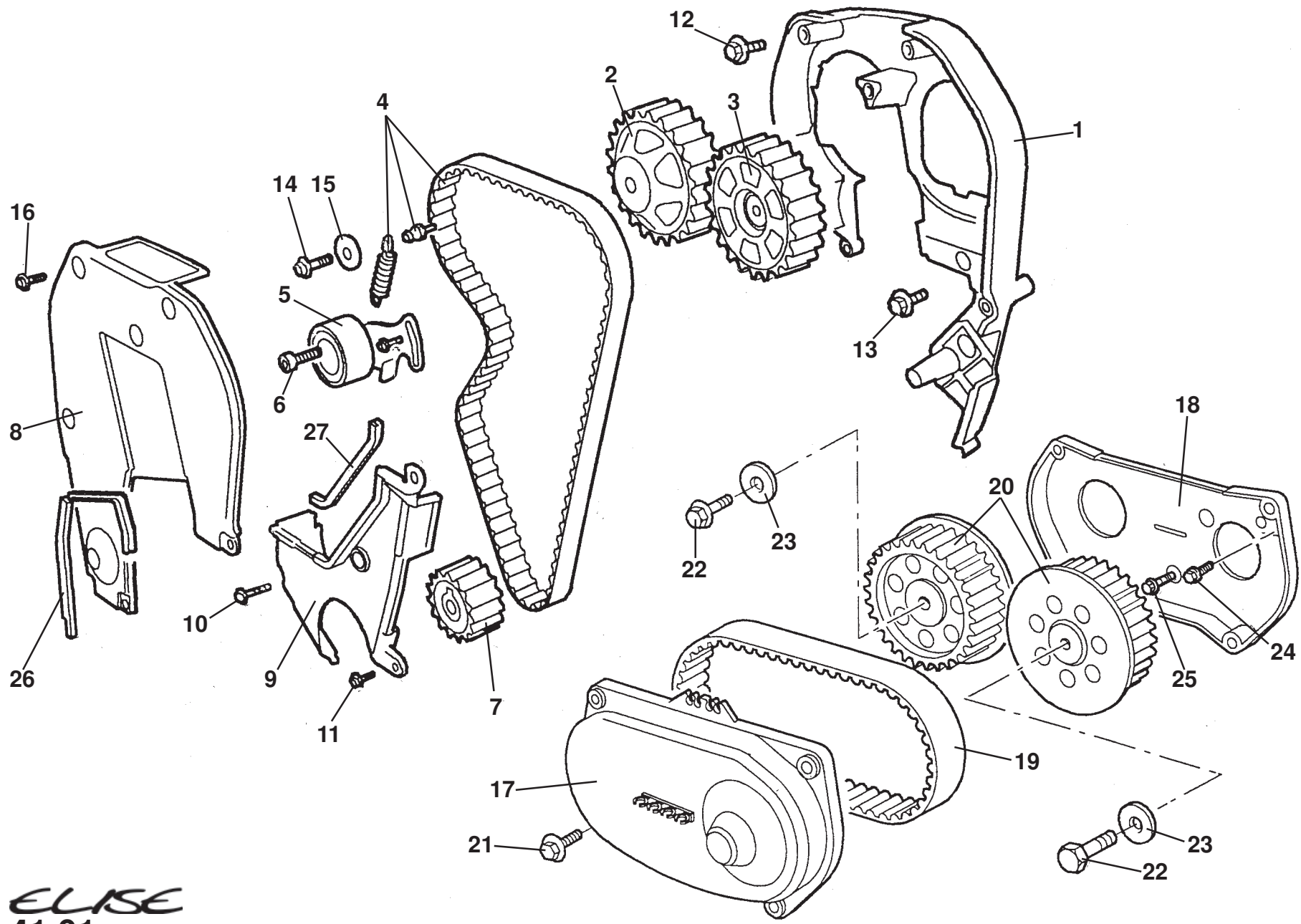
Function Code 41.01 Camshaft Belts, Guards & Pulleys

<u>Dep</u>	<u>Part Description</u>	<u>Remarks</u>	<u>Option</u>	<u>Part Number</u>	<u>Qty</u>
16	Screw, M6, upper cover fix., upper cover fix.			A111E6348S	1
17	Screw, M6, lower cover fix.			A111E6350S	1
18	Screw, M6 x 16, lower cover fix.			A111E6351S	1
19	Screw, M6 x 16, rear cover fix.			A111E6339S	1
20	Screw, cam pulley fix.			A111E6280S	2
21	Washer, flat			A111E6279S	2
22	Seal, top cover			A111E6071S	1
23	Seal, bottom cover			A111E6070S	1
24	Dynamic Tensioner Kit	Comprises: items 3a, 9, 10, 11 Static tensioner engines: 1##### to 153992, 4#####, 5#####, 6#####. Dynamic tensioner engines: 153993 to 199999, 2#####, 3#####.		A111E6392S	1

ELISE

Function Code: 41.01, Page: 2

Updated 2nd February 2015



ELISE
41.01a

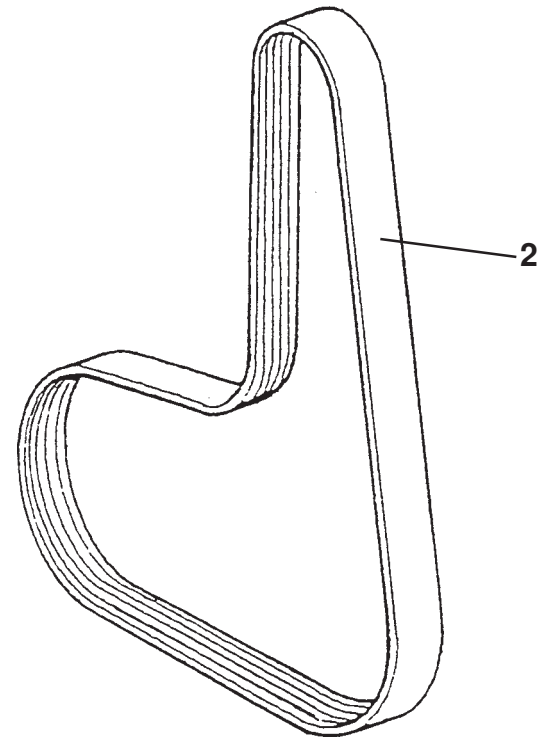
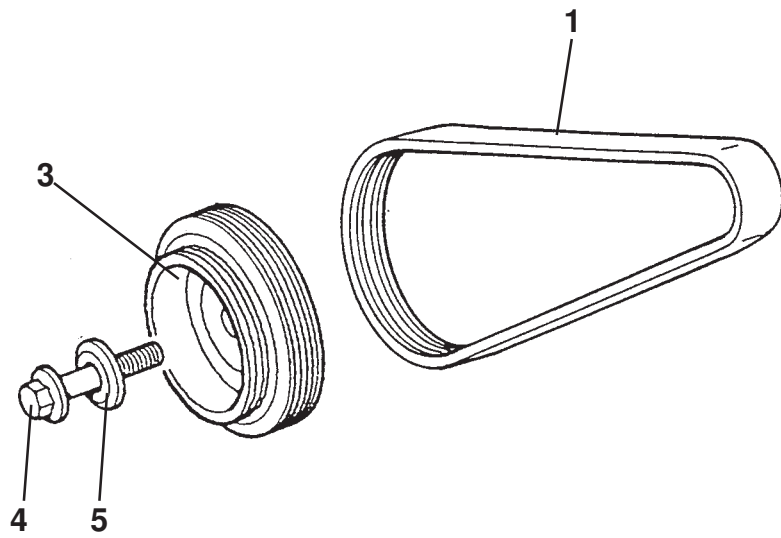
Function Code 41.01a Camshaft Belts, Guards & Pulleys, VVC

<u>Dep</u>	<u>Part Description</u>	<u>Remarks</u>	<u>Option</u>	<u>Part Number</u>	<u>Qty</u>
01	Cover, rear, timing belt		111S	A111E6357S	1
02	Camshaft Pulley, inlet		111S	A111E6354S	1
03	Camshaft Pulley, exhaust		111S	A111E6353S	1
04	Timing Belt Kit, 143 teeth, 26mm wide	Includes spring & pedestal bolt	111S	A111E6355S	1
05	Tensioner Assembly		111S	A111E6117S	1
06	Adjusting Bolt, M10, belt tensioner		111S	A111E6116S	1
07	Crankshaft Pulley, timing belt		111S	A111E6274S	1
08	Cover, upper front, timing belt	Includes seals	111S	A111E6358S	1
09	Cover, lower, front, timing belt		111S	A111E6120S	1
10	Screw, M6 x 16, lower cover fix.		111S	A111E6068S	1
11	Screw, M6 x 16, lower cover fix.		111S	A111E6351S	1
12	Screw, M6 x 25, rear cover fix.		111S	A111F6039S	1
13	Screw, M6 x 16, rear cover fix.		111S	A111E6339S	1
14	Screw, cam pulley fix.		111S	A111E6280S	2
15	Washer, flat		111S	A111E6279S	2
16	Screw, M6 x 35, fig. hd., upper cover fix.		111S	A111E6386S	1
17	Cover, rear cam belt, outer		111S	A111E6384S	1
18	Cover, rear cam belt, inner		111S	A111E6385S	1
19	Cam Drive Belt, rear		111S	A111E6336S	1
20	Camshaft Pulley, rear		111S	A111E6335S	2
21	Screw, M6 x 20, flg. hd.		111S	A111E6341S	4

ELISE

Function Code 41.01a Camshaft Belts, Guards & Pulleys, VVC

<u>Dep</u>	<u>Part Description</u>	<u>Remarks</u>	<u>Option</u>	<u>Part Number</u>	<u>Qty</u>
22	Screw, flg. hd., pulley fix.		111S	A111E6280S	2
23	Washer, flat		111S	A111E6279S	2
24	Screw, M5, flg. hd., inner cover fix		111S	A111E6338S	2
25	Screw, M6 x 14, flg. hd. inner cover fix.		111S	A111E6339S	1
26	Seal, top cover		111S	A111E6071S	1
27	Seal, bottom cover		111S	A111E6070S	1
28	Bolt, M6 x 35, flg. hd., covers fix.		111S	A117E6033S	1

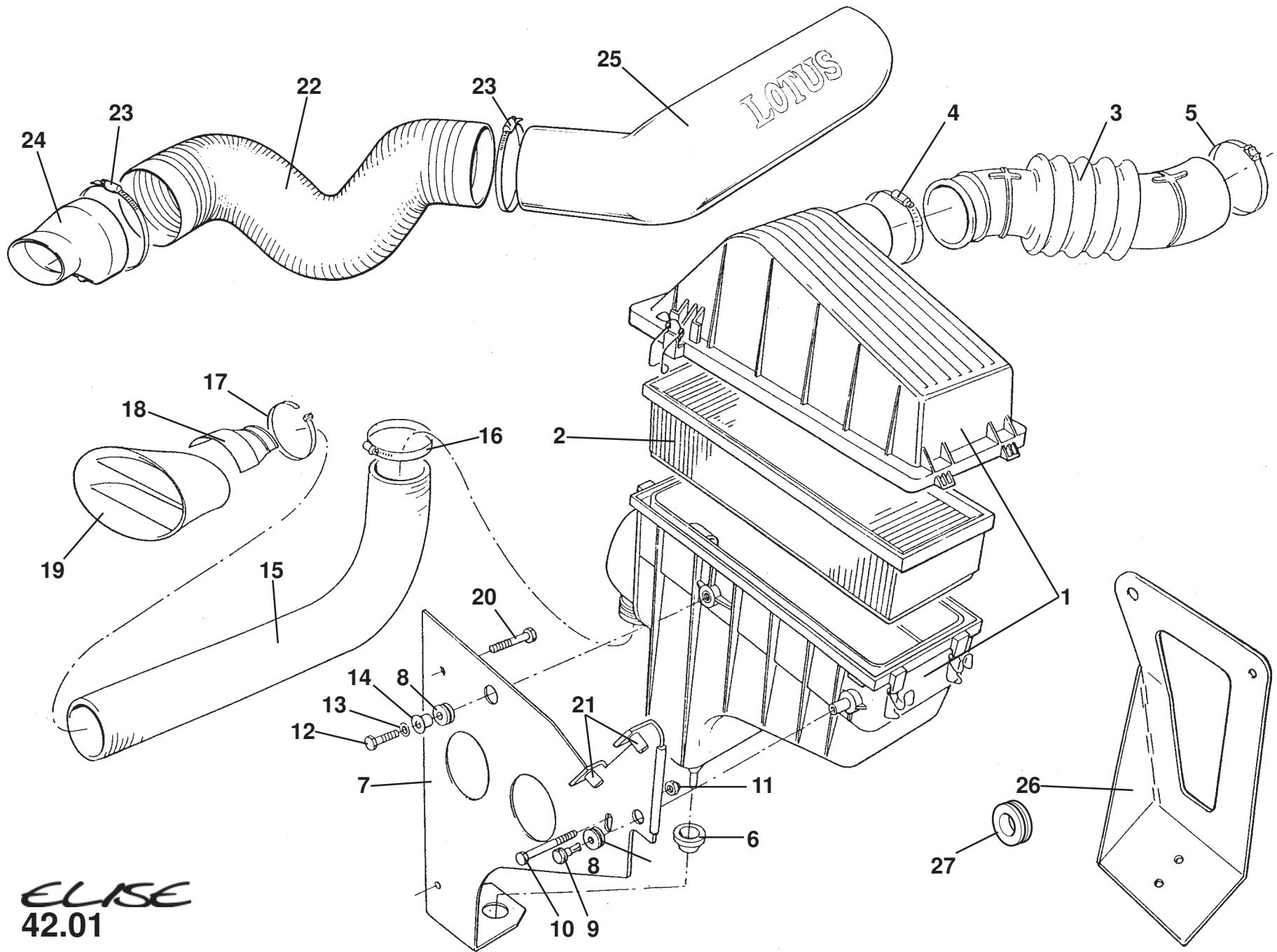


ELISE
41.03

Function Code 41.03 Auxiliary Drive Belts & Pulleys

<u>Dep</u>	<u>Part Description</u>	<u>Remarks</u>	<u>Option</u>	<u>Part Number</u>	<u>Qty</u>
01	Drive Belt, alternator		Heater cars	A111E6041S	1
02	Drive Belt, AC compressor and alternator		AC cars	A111E6107F	1
03	Auxiliary Belt Pulley	Used with crankshaft pulley: item 12, section 41.01		A111E6158S	1
03a	Auxiliary Belt Pulley	Used with crankshaft pulley: item 12a, section 41.01	111S also	A111E6273S	1
04	Bolt, pulley fix.			A111E6159S	1
05	Washer, special, bolt to pulley			A111E6275S	1

ELISE



ELISE
42.01

Updated 24th January 2013

Service Parts List *ELISE*



Function Code 42.01 Airboxes, Trunking & Air Filters

<u>Dep</u>	<u>Part Description</u>	<u>Remarks</u>	<u>Option</u>	<u>Part Number</u>	<u>Qty</u>
01	Air Cleaner Housing Assembly			A111E0015K	1
01a	Air Cleaner Housing Assembly, Lotus 160 engine	In addition to item 1 on WVTA cars, (VIN: Y0651 on)	Sport 160	A111E0048F	1
02	Air Cleaner Element			A111E6022S	1
03	Flexible Hose, air cleaner to throttle body			A111E6010F	1
04	Hose Clip, hose to air cleaner			A075L6044F	1
05	Hose Clip, hose to throttle body			A111E6024F	1
06	Grommet, air cleaner lower mounting			A111E6018F	1
07	Mounting Bracket, air cleaner/fuel filter assembly		C111E0010F R/B	D111E0010F	1
08	Grommet, air cleaner upper mounting			A111E6017F	2
09	Pin, air cleaner retention			A111E6012F	2
10	Bolt, M6, hex. hd., bracket to roll-over bar			A075W2031Z	1
11	Nyloc Nut, M6,			A907E6258F	1
12	Setscrew, M6 x 22, hex. hd., filter to bracket			A082W1111F	1
13	Washer, spring, M6			A079W4035Z	1
14	Insert, grommet fix.			A089U1518F	1
15	Intake Hose, duct to air cleaner			A111E6034F	1
16	Hose Clip			A910E7004F	1
17	Tie Wrap, hose to adaptor			A082W6324F	1

ELISE

Function Code: 42.01, Page: 1

Updated 24th January 2013

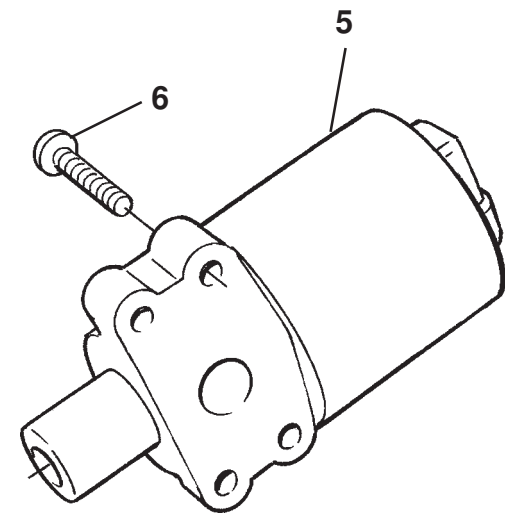
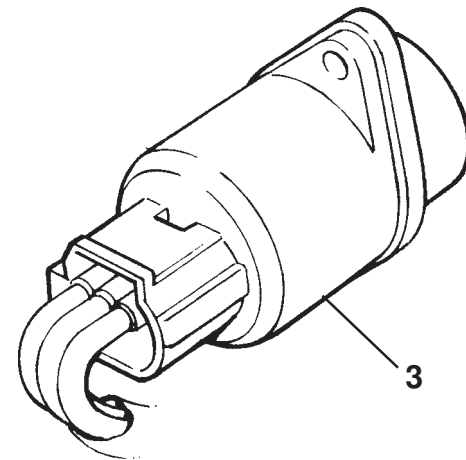
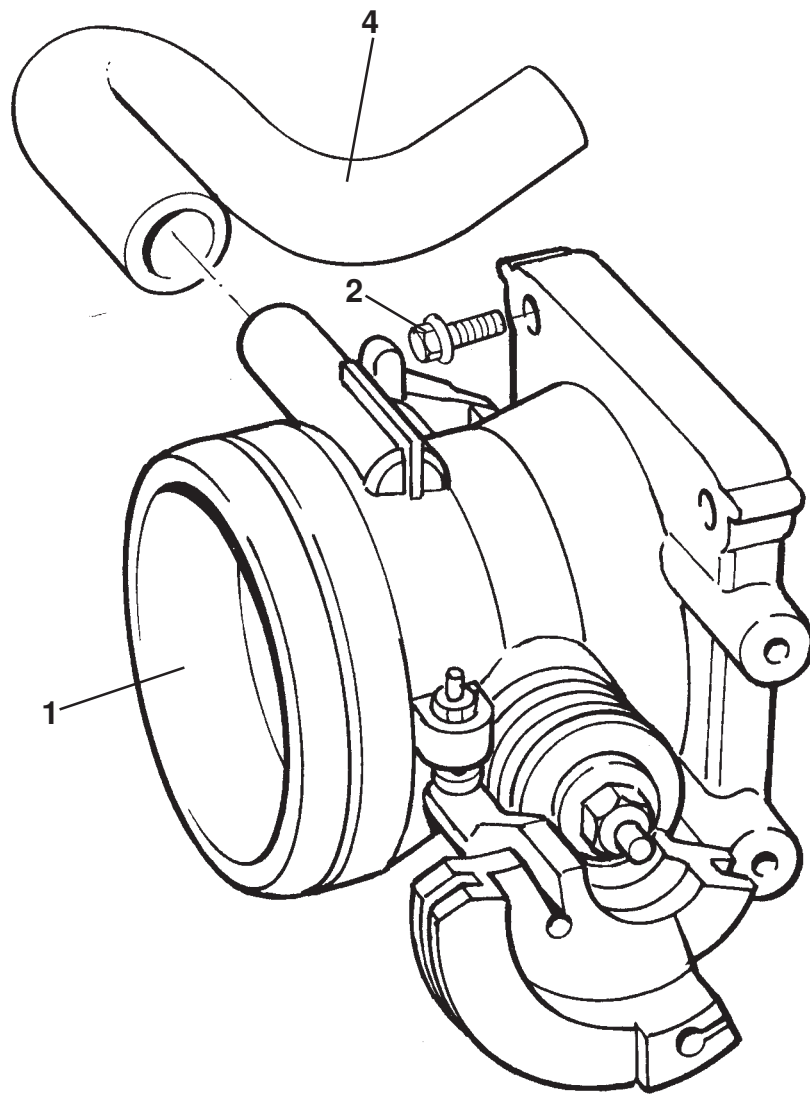
Function Code 42.01 Airboxes, Trunking & Air Filters

<u>Dep</u>	<u>Part Description</u>	<u>Remarks</u>	<u>Option</u>	<u>Part Number</u>	<u>Qty</u>
18	Adaptor, intake to hose			A111E0017K	1
19	Air Intake Duct	Bonded to rear clamshell		B111B0027F	2
19a	Air Intake Duct, gold	Bonded to rear clamshell	JPS 111S	A111B0670F	2
20	Setscrew, bracket to roll-over bar			A075W1028Z	1
21	Pulsert, M6			A079W6156F	2
22	Intake Hose, duct to airbox		Sport 190	A111E0022S	1
23	Hose Clip		Sport 190	A111W6638F	2
24	Adaptor, duct to hose		Sport 190	A111E0023K	1
25	Carbon Fibre Airbox		Sport 190	A111E0020S	1
26	Bracket, primary air filter housing mounting	WVTA cars only	Sport160, from VIN: Y0651	A111B0742F	1
27	Grommet, IAT sensor to airbox		Sport 160	A111E6017F	1
28	Stud Plate, bracket to sill	Not Illustrated	Sport 160	A111B0743F	1
29	Intake Hose, 89mm dia. x 600mm, air cleaner intake	Not illustrated	Sport 160	A111E0047F	1
30	Cable Tie, hose fix.	Not illustrated	Sport160, from VIN: Y0651	A082W6324F	1
31	Backplate & Air Filter Assy., VHPD	Not illustrated	Sport 190	A111E6419S	1
32	Intake Trumpet, VHPD	Not illustrated	Sport 190	A111E6262S	4
33	Dust Retention Fluid, VHPD	Not Illustrated	Sport 190	A111E6269S	1

ELISE

Function Code: 42.01, Page: 2

Updated 24th January 2013



ELISE
42.04

Updated 24th January 2013

Service Parts List *ELISE*



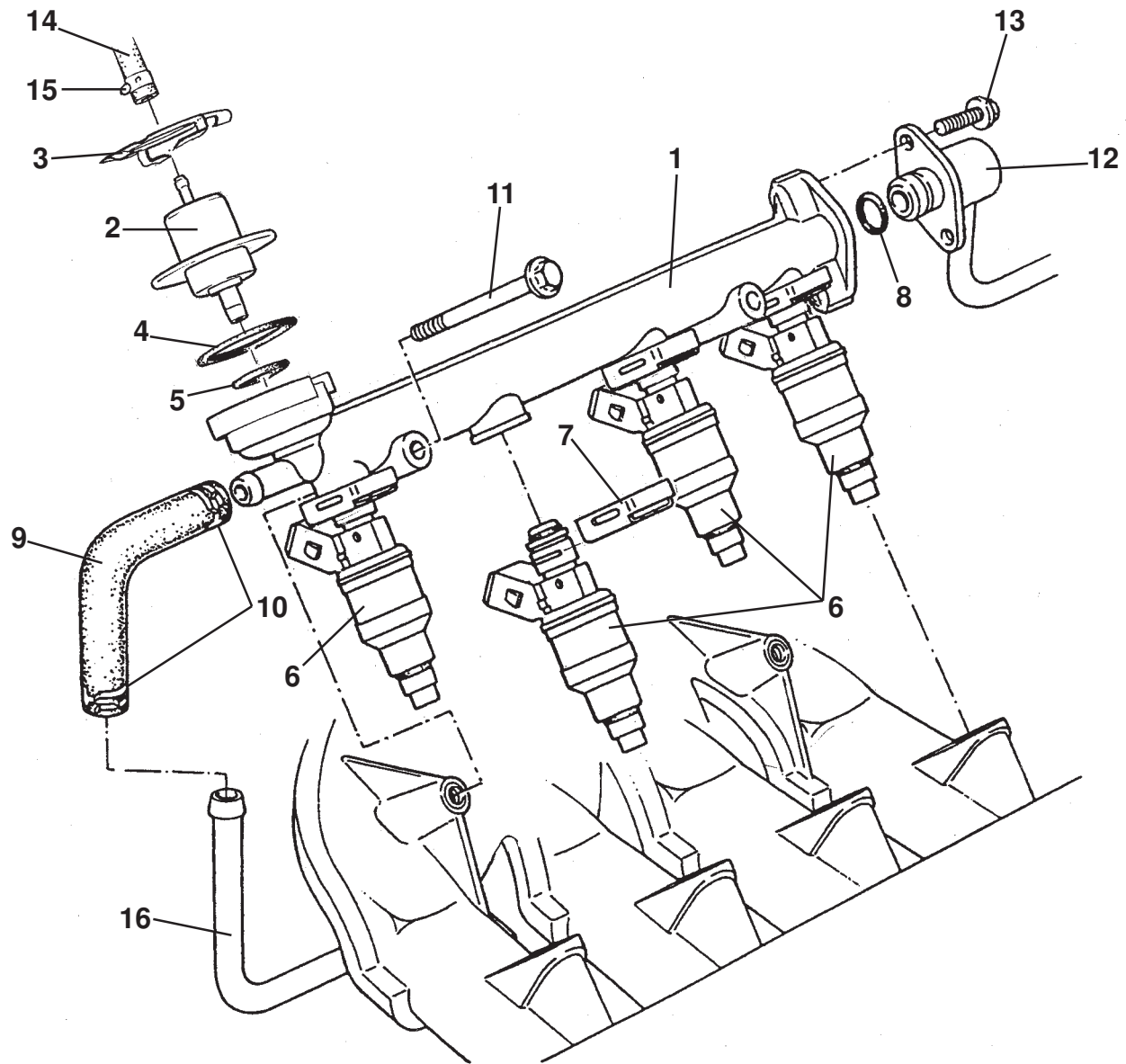
Function Code 42.04 Throttle Body, Mechanism & IAC Valve

<u>Dep</u>	<u>Part Description</u>	<u>Remarks</u>	<u>Option</u>	<u>Part Number</u>	<u>Qty</u>
01	Throttle Body, alloy	Replaces A111E6128S, plastic throttle body	Std., 111S, Sport 135/160	A111E0076S	1
01a	Throttle Body, alloy	Improved driveability upgrade	All Sport 160	A117E6090S	1
01b	Throttle Body/Inlet Manifold Assembly, VHPD	Not illustrated, see 340R/Exige	Sport 190, A111E6418SR/B	A340E6026S	1
02	Screw, flg, hd., throttle body to plenum			A111E6364S	4
03	IAC Steppermotor			A111E6434S	1
04	Hose, throttle body to IAC			A111E6365S	1
05	Idle Air Control Valve (IAC)	Incl. items 3, 6		A111E6132S	1
05a	Idle Air Control Valve (IAC)	Improved driveability upgrade	All Sport 160	A117E6069S	1
06	Screw, IAC to plenum			A111E6435S	4

ELISE

Function Code: 42.04, Page: 1

Updated 24th January 2013

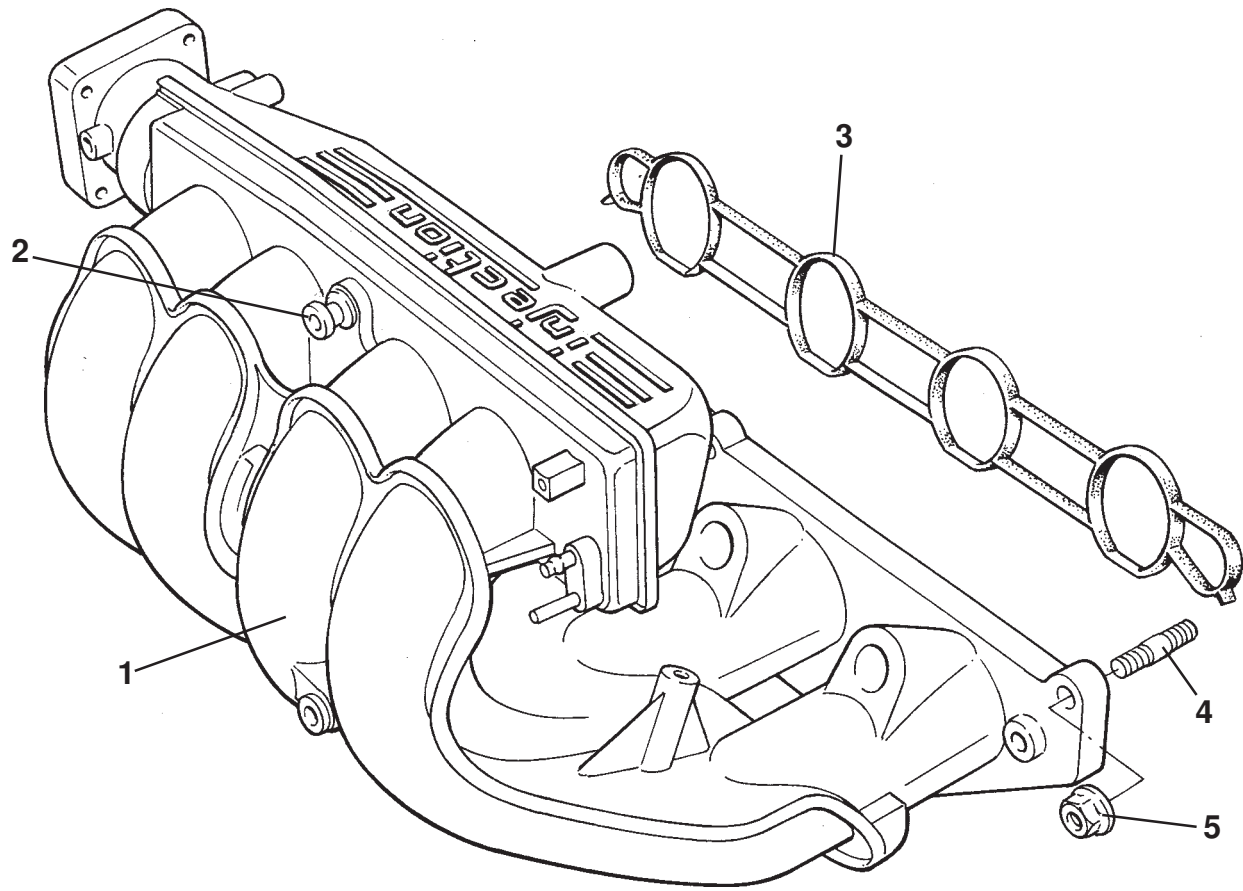


ELISE
42.05

Function Code 42.05 Fuel Injection System

<u>Dep</u>	<u>Part Description</u>	<u>Remarks</u>	<u>Option</u>	<u>Part Number</u>	<u>Qty</u>
01	Fuel Rail.			A111E6464S	1
02	Fuel Pressure Regulator			A111E6465S	1
03	Clip, pressure regulator to fuel rail			A111E6466S	1
04	'O' Ring, large, pressure regulator to fuel rail			A111E6467S	1
05	'O' Ring, small, pressure regulator to fuel rail			A111E6468S	1
06	Injector			A111E6060S	4
07	Clip, injector retaining			A111E6162S	4
08	'O' Ring, pipe to rail			A111E6142S	1
09	Hose, elbow, fuel return	See Service Bulletin 1999/1R	A111L6032S R/B	A111E6374F	1
10	Hose Clip			A111L6034S	2
11	Bolt, fuel rail to manifold			A111E6160S	2
12	Fuel Pipe Assembly, fuel feed			A111L6030S	1
13	Bolt, pipe to rail			A111L6035S	2
14	Vacuum Hose, regulator to manifold			A111E6078S	1
15	Hose Clip, vacuum hose securing			A111E6161S	1
16	Fuel Pipe Assembly, fuel return	Standard car	A111L6046S R/B	A117L6028S	1
16a	Fuel Pipe Assembly, fuel return, VVC		111S	A111L6045S	
17	Hose Assembly, fuel feed	Not illustrated	MOTOR SPORT	A111L6039S	1
18	Hose Assembly, fuel return	Not illustrated	MOTOR SPORT	A111L6040S	1

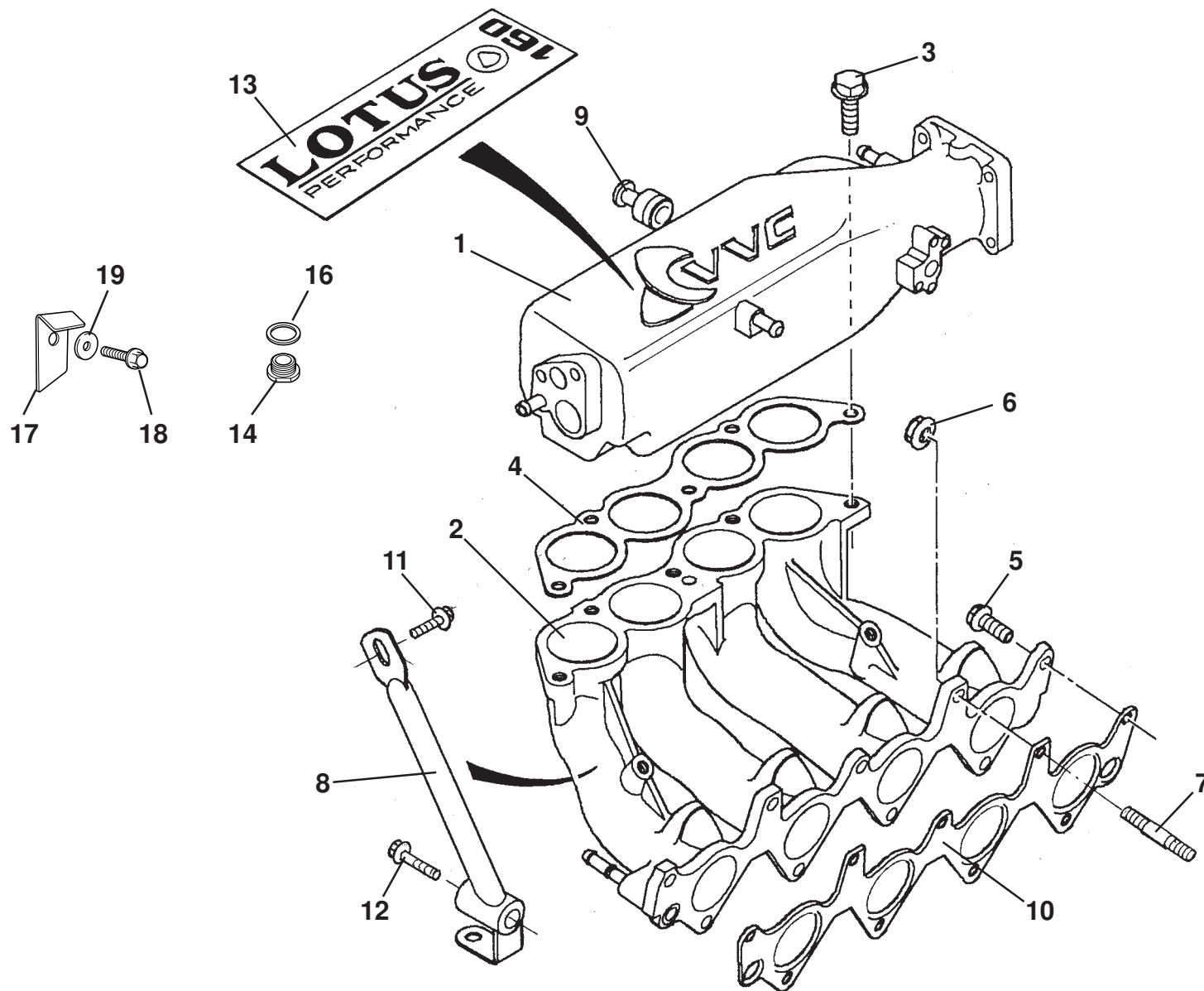
ELISE



ELISE
42.07

Function Code 42.07 Inlet Manifold, Plenum & gaskets

<u>Dep</u>	<u>Part Description</u>	<u>Remarks</u>	<u>Option</u>	<u>Part Number</u>	<u>Qty</u>
01	Inlet Manifold			A111E6072S	1
01a	Inlet Manifold, VHPD		Sport 190	A111E6259S	1
02	Vacuum Pipe Union			A111E6327S	1
03	Gasket, inlet manifold (green)	Also see section 40.02	*A111E6086S (black) R/B	B111E6086S	1
04	Stud, inlet manifold		*A111E6081S (3 off) R/B	B111E6081S	7
05	Nut, inlet manifold fix.		*A111E6164S (3 off) R/B	A111E6326S	7
06	Bolt, inlet manifold fix.	Not illustrated	*Obsolete	A111E6165S	4
*Replace items: 3/4/5/6 as a set					



ELISE
42.07a

Updated 24th January 2013

Service Parts List *ELISE*



Function Code 42.07a Inlet Manifolds, Plenum & Gaskets VVC

<u>Dep</u>	<u>Part Description</u>	<u>Remarks</u>	<u>Option</u>	<u>Part Number</u>	<u>Qty</u>
01	Plenum	Cast VVC graphic on top surface	111S, Sport 135	A111E6320S	1
01a	Plenum & Decal Plate	Flat top surface for Decal Plate	Sport 160	E1604207001AH	1
02	Inlet Manifold		111S, Sport 135, 160	A111E6321S	1
03	Bolt, plenum to manifold			A111E6324S	5
04	Gasket, plenum to manifold	Also see 40.02	111S, Sport 135, 160	A111E6322S	1
05	Bolt, manifold to head			A111E6165S	7
06	Nut, manifold fix.			A111E6326S	2
07	Stud, manifold to head			A111E6081S	2
08	Support Stay, manifold assy.		111S, Sport 135, 160	A111E6328S	1
09	Insert, vacuum union			A117E6066S	1
10	Gasket, manifold to head	Also see 40.02; A111E6323S R/B	111S, Sport 135, 160	A117E6097S	1
11	Screw, M8 x 16, hex, flg. hd., stay to manifold			A111Q6010S	1
12	Screw, hex. flg. hd., stay to engine			A111E6237S	1
13	Decal Plate, 'Lotus Performance 160'	Part of Plenum: item 1a	Sport 160	A111E6458S	1
14	Insert, IAT blanking plug		Sport 160 SVA cars	A111W6672F	1
15	Blanking Plug, IAT hole	Not illustrated	Sport 160 SVA cars	A111W6673F	1
16	Washer, IAT blanking		Sport 160 SVA cars	A075W4024Z	1
17	Abutment Bracket, throttle cable to plenum			A111E0036F	1

ELISE

Function Code: 42.07a, Page: 1

Updated 24th January 2013

Function Code 42.07a Inlet Manifolds, Plenum & Gaskets VVC

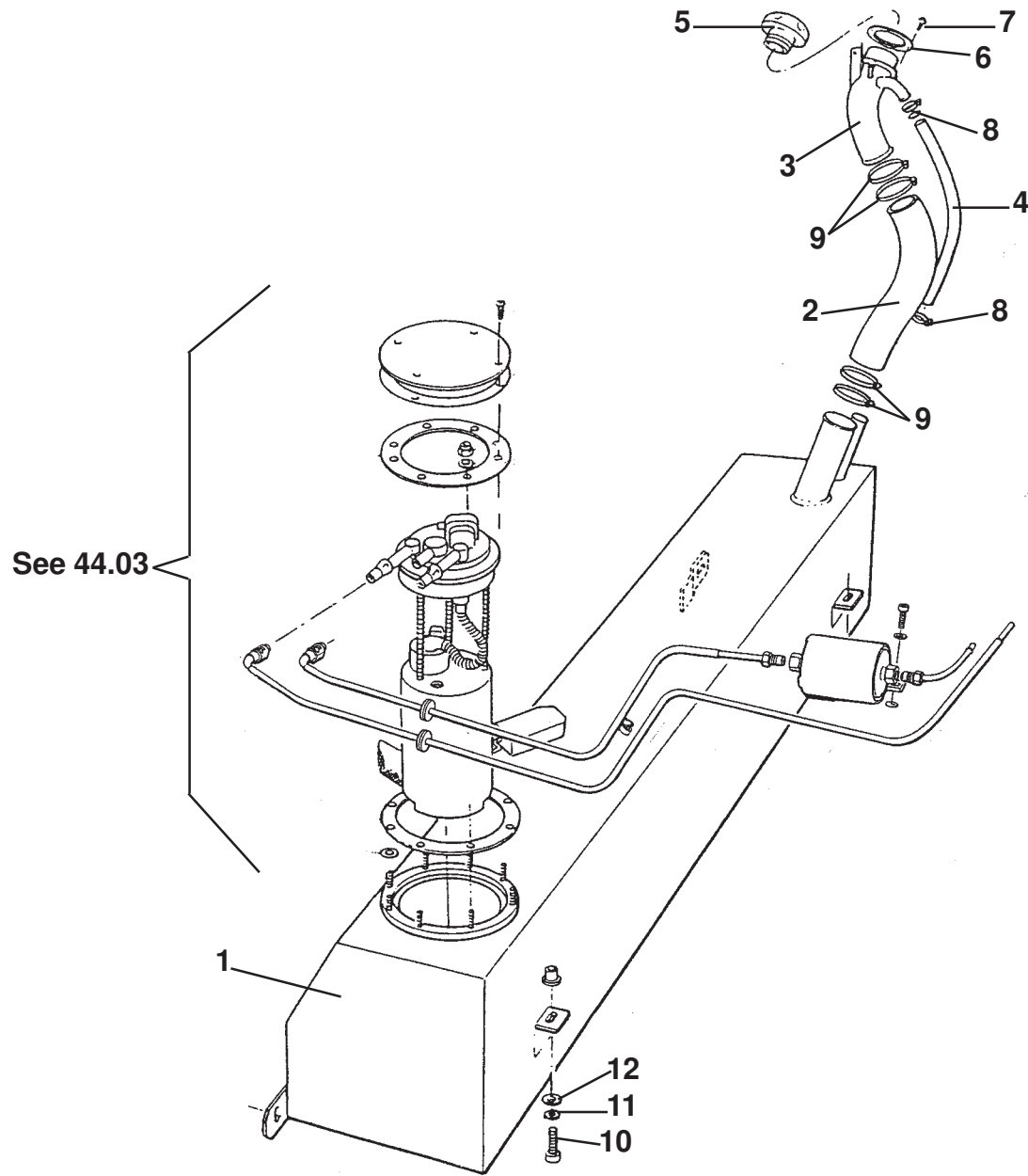
<u>Dep</u>	<u>Part Description</u>	<u>Remarks</u>	<u>Option</u>	<u>Part Number</u>	<u>Qty</u>
18	Screw, M6 x 12 , bracket to plenum			A075W1027Z	1
19	Washer, flat, M6 x 12.1, bracket to plenum			A075W4013Z	1

ELISE

Function Code: 42.07a, Page: 2

Updated 24th January 2013

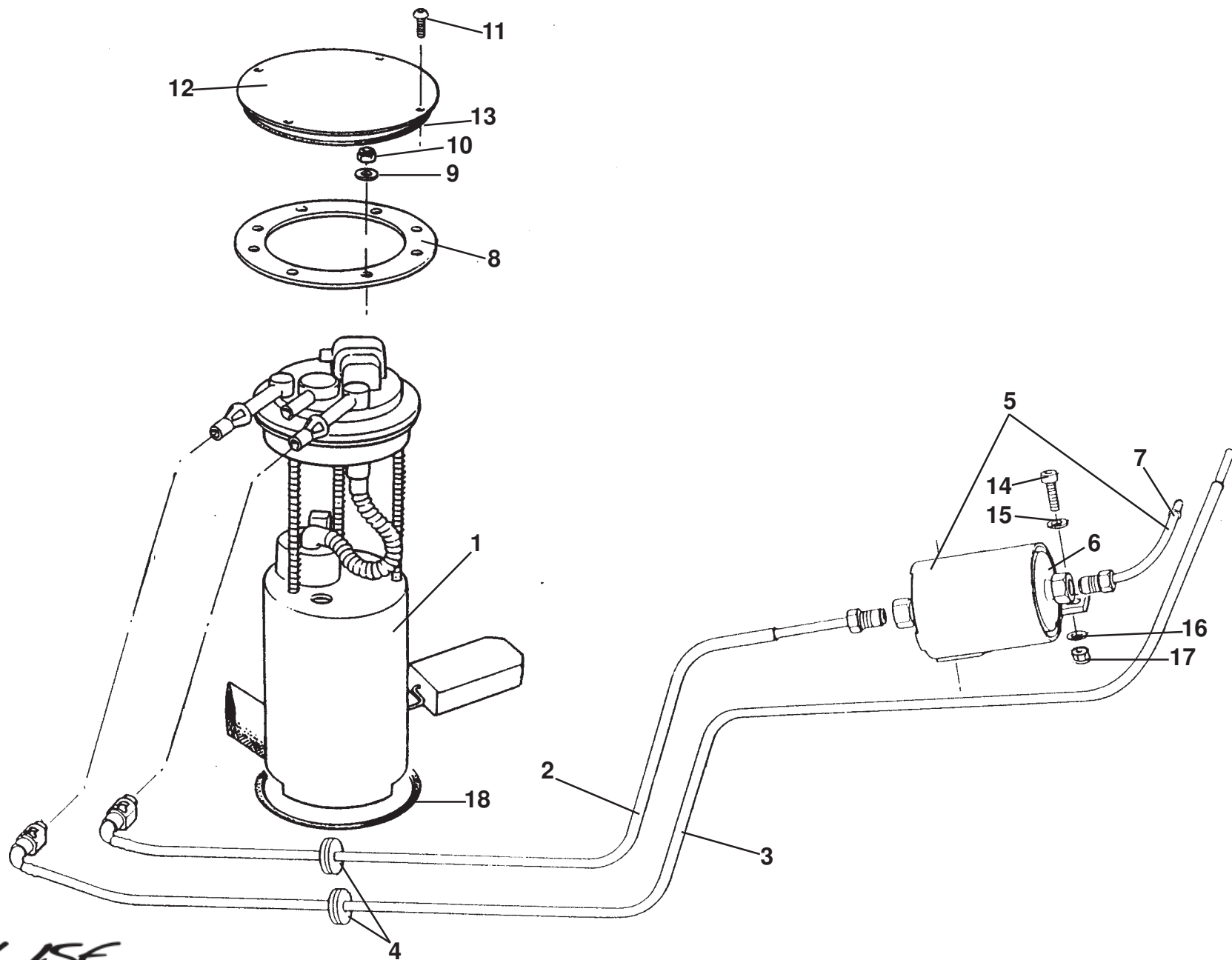
ELISE
44.01



Function Code 44.01 Fuel Tanks, Filler

<u>Dep</u>	<u>Part Description</u>	<u>Remarks</u>	<u>Option</u>	<u>Part Number</u>	<u>Qty</u>
01	Fuel Tank	Non AC chassis cars	Prior to VIN* (see below)	F111L0002F	1
01a	Fuel Tank	AC commonisation chassis cars	From VIN* (see below)	A111L0033F	1
02	Hose, fuel filler	Non AC chassis cars	Prior to VIN (See Below)	A111L0009F	1
2a	Hose, Fuel Filler	AC commonisation chassis cars	From VIN* (See Below)	A111L0037F	1
03	Filler Neck			B111L0008F	1
04	Hose, fuel breather	See service bulletin 2001/2R	D111L0010F R/B	E111L0010F	1
05	Fuel Filler Cap, locking			A111L0026J	1
05a	Fuel Filler Cap, sport, non-locking	Not illustrated	MOTOR SPORT	A111L0043S	1
06	Ring, fuel filler neck clamping			A079L4034F	1
06a	Gasket, clamping ring	Not illustrated		A079L4035F	1
07	Setscrew No 6 x 1/2", filler neck to body			A089W5138F	4
08	Hose Clip, dia. 25-40mm	See service bulletin 2001/2R	A075M6145F R/B	A111L6048F	2
09	Hose Clip, dia. 50-70mm			A100E6082F	4
10	Setscrew, M8 x 25, tank to chassis			A075W1039Z	4
11	Washer, spring, M8, tank to chassis			A075W4036Z	4
12	Washer, flat, M8, tank to chassis			A075W4019Z	4

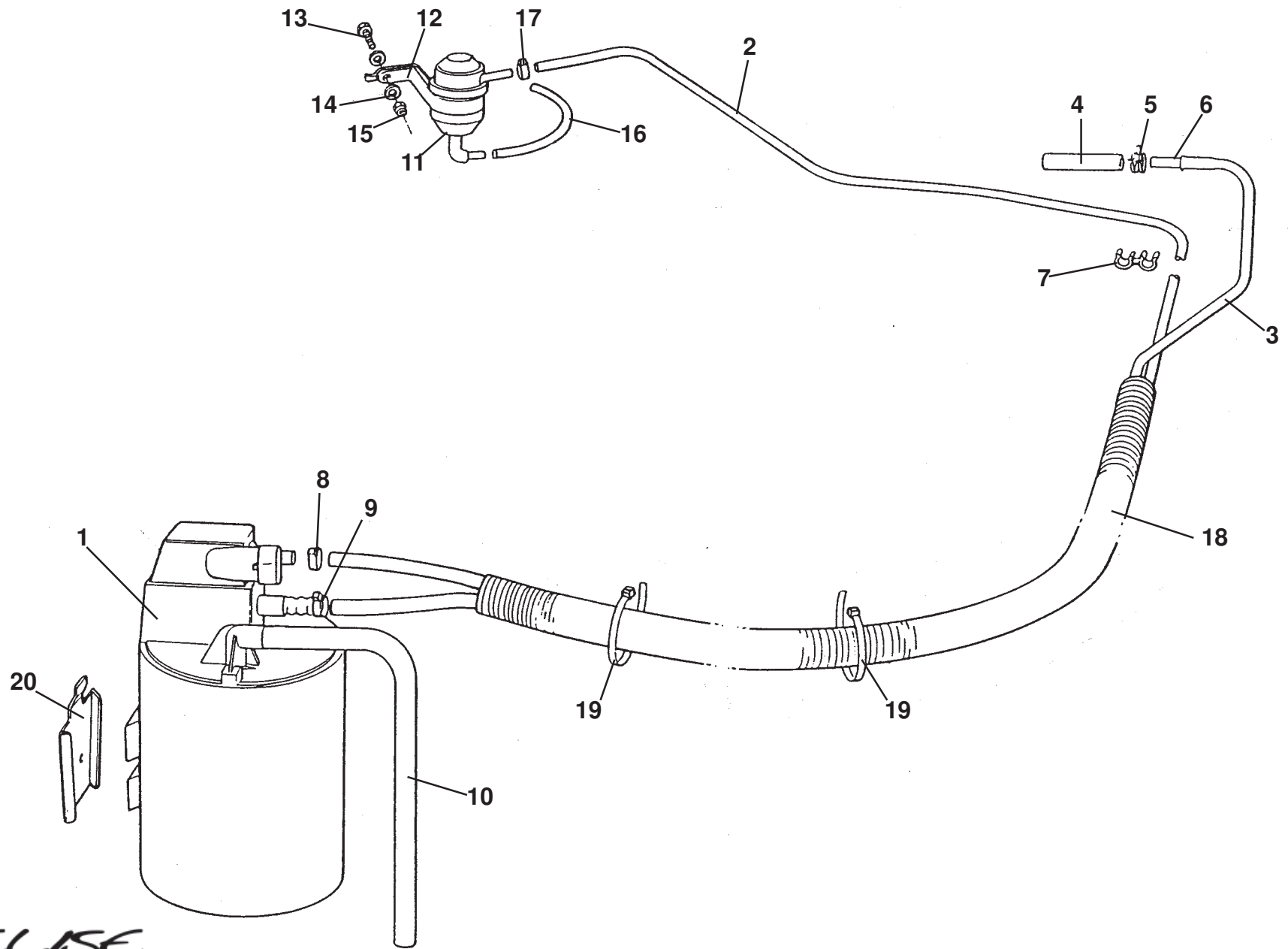
*VIN: V1685 (approx.) plus 1672,
1673, 1677, 1682, less 1694, 1708



ELISE
44.03

Function Code 44.03 Fuel Pump; Filter, Pipes

<u>Dep</u>	<u>Part Description</u>	<u>Remarks</u>	<u>Option</u>	<u>Part Number</u>	<u>Qty</u>
01	Fuel Pump and Sender Unit			A111L6007F	1
02	Fuel Pipe Assembly , feed		A111L0038F R/B	A111L0059F	1
03	Fuel Pipe Assembly, return		A111L0021F R/B	A111L0040F	1
04	Grommet			A082L6181F	2
05	Fuel Filter Housing Assembly	Includes pipe Item 7		A111L6002F	1
06	Fuel Filter Element			A111L6037S	1
07	Adaptor, filter outlet / hose			A111L6038S	1
08	Clamp Ring, fuel pump	Part of tank assy.		A111L0004H	1
09	Washer, pump to tank			A082W4099F	8
10	Nyloc Nut, pump to tank			A075W3049F	8
11	Screw, access cover			A111W7117F	4
12	Access Panel, fuel tank			A111L0015F	1
13	'O' Ring, access cover			A111L6015F	1
14	Setscrew, M6 x 18, hex. hd., filter assy to bracket			A075W1029Z	4
15	Washer, spring, M6			A075W4035Z	4
16	Washer, flat, M6			A075W4015Z	4
17	Nyloc Nut, M6			A075W3009Z	4
18	'O' Ring, fuel pump to tank			A111L6008F	1

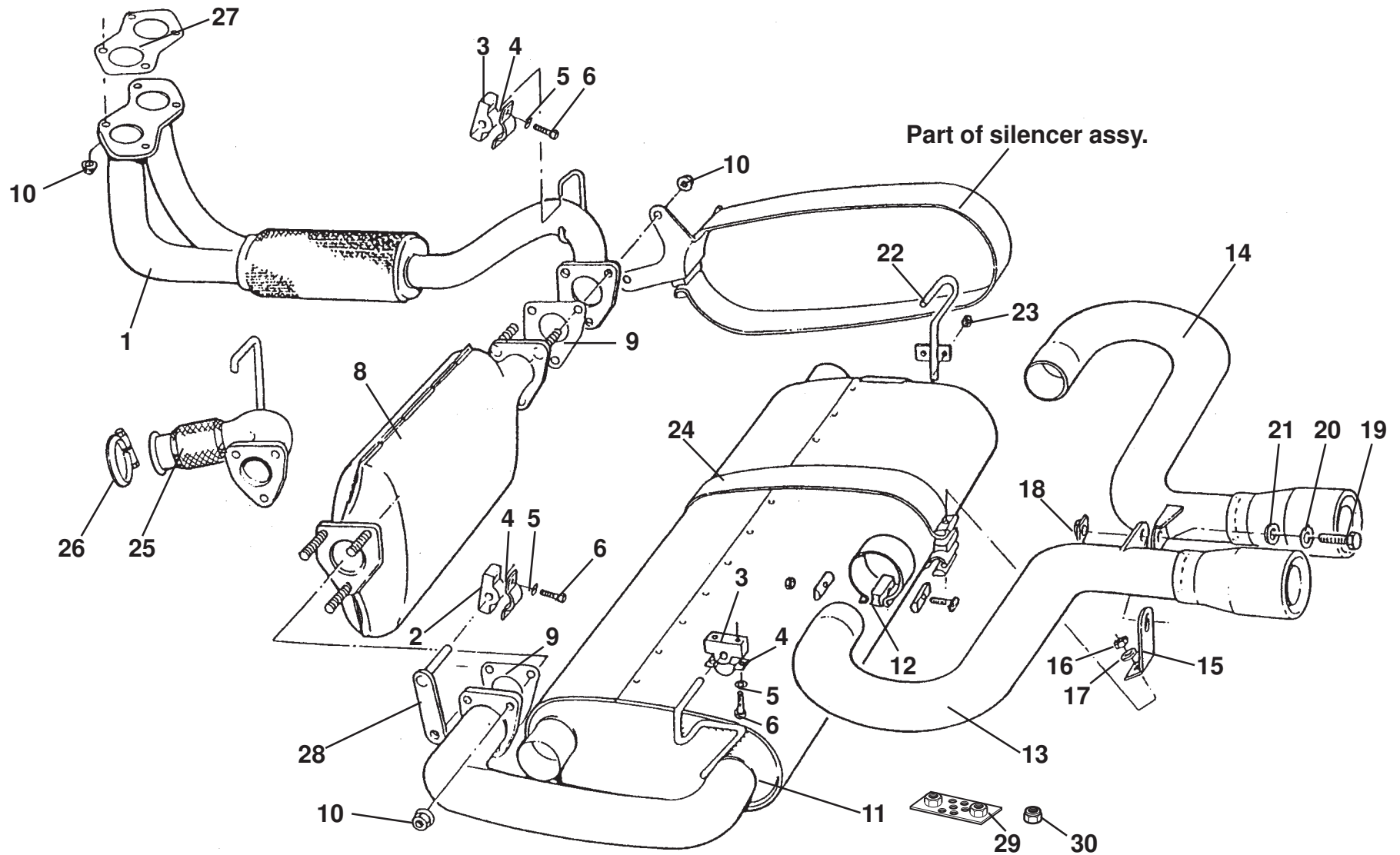


ELISE
44.05

Function Code 44.05 Charcoal Canister & Evaporative Loss System.

<u>Dep</u>	<u>Part Description</u>	<u>Remarks</u>	<u>Option</u>	<u>Part Number</u>	<u>Qty</u>
01	Charcoal Canister Assembly	Includes items 1 to 10		C111L0012F	1
02	Pipe, canister to roll over valve	Part of assembly, item 1	A111L0017H R/B	C111L0012F	1
03	Pipe, canister to manifold	Part of assembly, item 1	A111L0018H R/B	C111L0012F	1
04	Hose, connector to manifold	Part of assembly, item 1	A111L6019H R/B	C111L0012F	1
05	Clip, hose to manifold connector	Part of assembly, item 1	A111L6017H R/B	C111L0012F	2
06	Connector, pipe to hose	Part of assembly, item 1	A111L6013H R/B	C111L0012F	1
07	Clip, pipe to pipe	Part of assembly, item 1	A111L6018H R/B	C111L0012F	3
08	Clip, pipe fixing	Part of assembly, item 1	A111L6014H R/B	C111L0012F	2
09	Clamp, manifold pipe to canister	Part of assembly, item 1	A111L6016H R/B	C111L0012F	1
10	Hose , canister to atmosphere	Part of assembly, item 1	A111L0019H R/B	C111L0012F	1
11	Roll Over Valve			A111L6011H	1
12	Mounting Clamp, roll over valve			A111L6012H	1
13	Setscrew, M5 x 16, roll over valve fix.			A082W1088F	1
14	Washer, M5, roll over valve fix.			A075W4011Z	2
15	Nyloc Nut, M5, roll over valve fix			A075W3008Z	1
16	Hose, roll over valve to filler neck			A111L0011H	1
17	Clip, pipe fixing			A111L6027H	1
18	Convolute Tube, pipe protection			A111L6024V	1
19	Tie Wrap, tube fix.			A075W6038Z	3
20	Bracket, charcoal canister			A111L6009F	1

ELISE



ELISE
45.01

Updated 24th January 2013

Service Parts List *ELISE*



Function Code 45.01 Exhaust System

<u>Dep</u>	<u>Part Description</u>	<u>Remarks</u>	<u>Option</u>	<u>Part Number</u>	<u>Qty</u>
01	Downpipe			A111S0002F	1
02	Exhaust Mounting, silicon, blue		A111S6002F R/B from VIN: Y1153	A111S0071F	1
03	Exhaust Mounting, rubber, black			A111S6002F	3
04	Clip, exhaust hanger			A111S0023K	4
05	Washer, flat, M8 x 16.6 x .4		B082W4018F R/B	A075W4020Z	16
06	Bolt, M8 x 35, exhaust mtg, fixing		A075W2029Z R/B	A075W2038D	8
07	Washer, spring, M8, exhaust mtg, fixing		A075W4035Z R/B	A075W4036Z	8
08	Catalyst	Includes studs		B111S6001F	1
08a	Catalyst, motorsport	Includes studs	Sport 160 prior to VIN: Y0651	A340S6010S	1
09	Gasket, downpipe to catalyst			A111S6014F	2
10	Nut, M10 x 1.5, flg. hd.			A111W3151F	10
11	Silencer			A111S0001F	1
11a	Silencer	VVC/ Lotus 160 engines	111S, Sport 160 from VIN: Y0651	A111S0059F	1
11b	Sport Silencer Kit,	Includes tailpipes, & fixings	Sport 135, 160, 190	A111S0037S	1
12	Clamp, 48mm, tail pipes to silencer			A111S6007F	2
12a	Clamp, 40mm, tail pipes to silencer	VVC/ Lotus 160 engines	111S, Sport 160 from VIN: Y0651	A111S0063F	2
13	Tail Pipe, LH			B111S0031F	1

ELISE

Function Code: 45.01, Page: 1

Updated 24th January 2013

Function Code 45.01 Exhaust System

<u>Dep</u>	<u>Part Description</u>	<u>Remarks</u>	<u>Option</u>	<u>Part Number</u>	<u>Qty</u>
13a	Tail Pipe, LH	VVC/ Lotus 160 engines	111S, Sport 160 from VIN: Y0651	A111S0061F	1
14	Tail Pipe, RH			B111S0032F	1
14a	Tail Pipe, RH	VVC/ Lotus 160 engines	111S, Sport 160 from VIN: Y0651	A111S0060F	1
15	Support Bracket	Tailpipe to silencer fixing		A111S0018F	1
16	Nut, M8 x 1.25	Exhaust bracket to silencer band		A111W3154F	1
17	Washer, M8 , bracket to band			A075W4020Z	1
18	Nut Plate Assembly	Exhaust bracket to tailpipe fixing		A111S0019F	1
19	Setscrew, M8 x 20	Exhaust bracket to tailpipe fixing		A075W1038Z	1
20	Washer, spring ,M8	Exhaust bracket to tailpipe fixing		A075W4036Z	1
21	Washer, flat, M8 x 16.6	Exhaust bracket to tailpipe fixing		A075W4020Z	1
22	Exhaust Hanger	RH of silencer		A111S6003F	1
23	Nut, M8 x 1.24	Exhaust hanger to silencer		A111W3154F	2
24	Clamp, (Torca band)	Exhaust silencer to rear bracket fixing		A111S6015F	1
25	Pipe, manifold to catalyst		Sport 160	A340S6001F	1
26	Clamp, pipe to manifold		Sport 160	A340S6003F	1
27	Gasket, manifold to downpipe			A111S6005F	1
28	Hanger, catalyst/silencer			C111S0017F	1
29	Spreader Plate, silencer mounting		Bootbox cars	A111U0411F	2
30	Nut, M8, hex. flg. hd., silencer mounting		Bootbox cars	A111W3170F	4

ELISE

Function Code: 45.01, Page: 2

Updated 24th January 2013

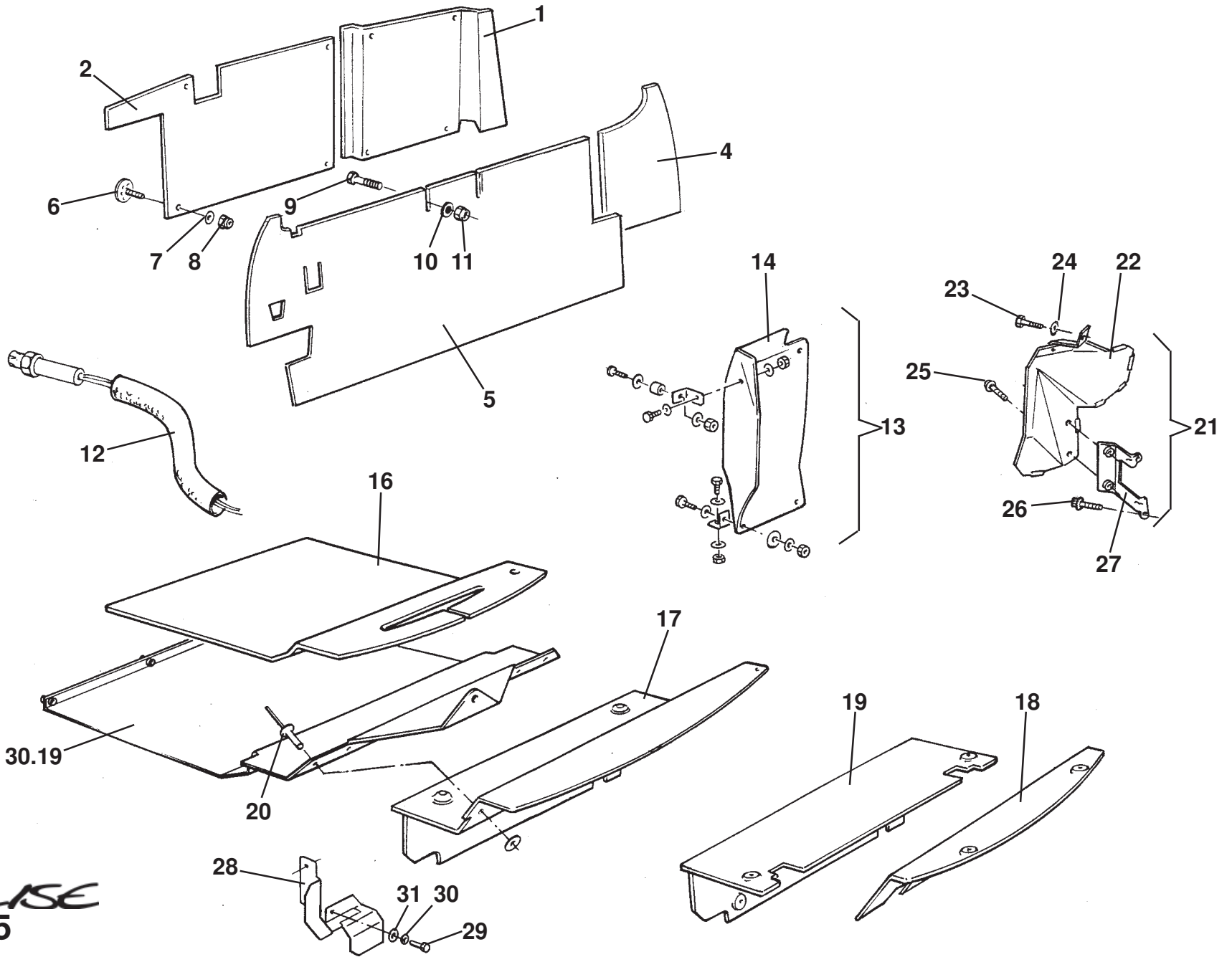
Function Code 45.01 Exhaust System

<u>Dep</u>	<u>Part Description</u>	<u>Remarks</u>	<u>Option</u>	<u>Part Number</u>	<u>Qty</u>
31	Pipe, catalyst replacement	Not illustrated	MOTOR SPORT	A111S0048S	1

ELISE

Function Code: 45.01, Page: 3

Updated 24th January 2013



See 30.19

ELISE
45.05

Service Parts List *ELISE*



Function Code 45.05 Heatshields

<u>Dep</u>	<u>Part Description</u>	<u>Remarks</u>	<u>Option</u>	<u>Part Number</u>	<u>Qty</u>
01	Heatshield, bulkhead RH	Phenolic resin		B111S0016K	1
02	Heatshield, bulkhead LH	Phenolic resin		B111S0015K	1
03	Heatshield, bulkhead, one piece	Foiled foam mat, not illustrated	Prior to AC bulkhead	B111S0036F	1
04	Heatshield, bulkhead RH	Foiled foam mat	AC commonised bulkhead	A111S0044F	1
05	Heatshield, bulkhead LH	Foiled foam mat	AC commonised bulkhead	A111S0045F	1
06	'Bighead' Fastener, bonded to bulkhead			A111W6575F	8
07	Washer, flat, M6 x 18 x 1			B082W4018F	8
08	Nut, nyloc, M6			A075W3009F	8
09	Screw, M5 x 16, pan hd., pozi.			A082W5107F	4
10	Washer, flat, M5 x 25 x 1.4			A082W4098F	4
11	Nut, nyloc, M5			A100W3113F	4
12	Heat Sleeve, oxygen sensor			A111E6026S	1
13	Heatshield Kit	Bulkhead mounted	A111E0014K R/B	A111S0043S	1
14	Heatshield, manifold, phenolic resin	Bulkhead mounted, part of kit, item 13	From VIN; V 0549, see S/B 1997/13	A111S0040K	1
14a	Heatshield, manifold, phenolic resin	Bulkhead mounted	AC cars, Malaysia	A111S0046K	1
14b	Heatshield, manifold, alloy	Engine mounted	AC cars, 2000 MY	A111S0092F	1
15	Heatshield, manifold	Engine mounted, not illustrated	Prior VIN: V 0549, A111S0025F, replaced by kit	A111S0043S	1

ELISE

Function Code: 45.05, Page: 1

Updated 3rd May 2016

Function Code 45.05 Heatshields

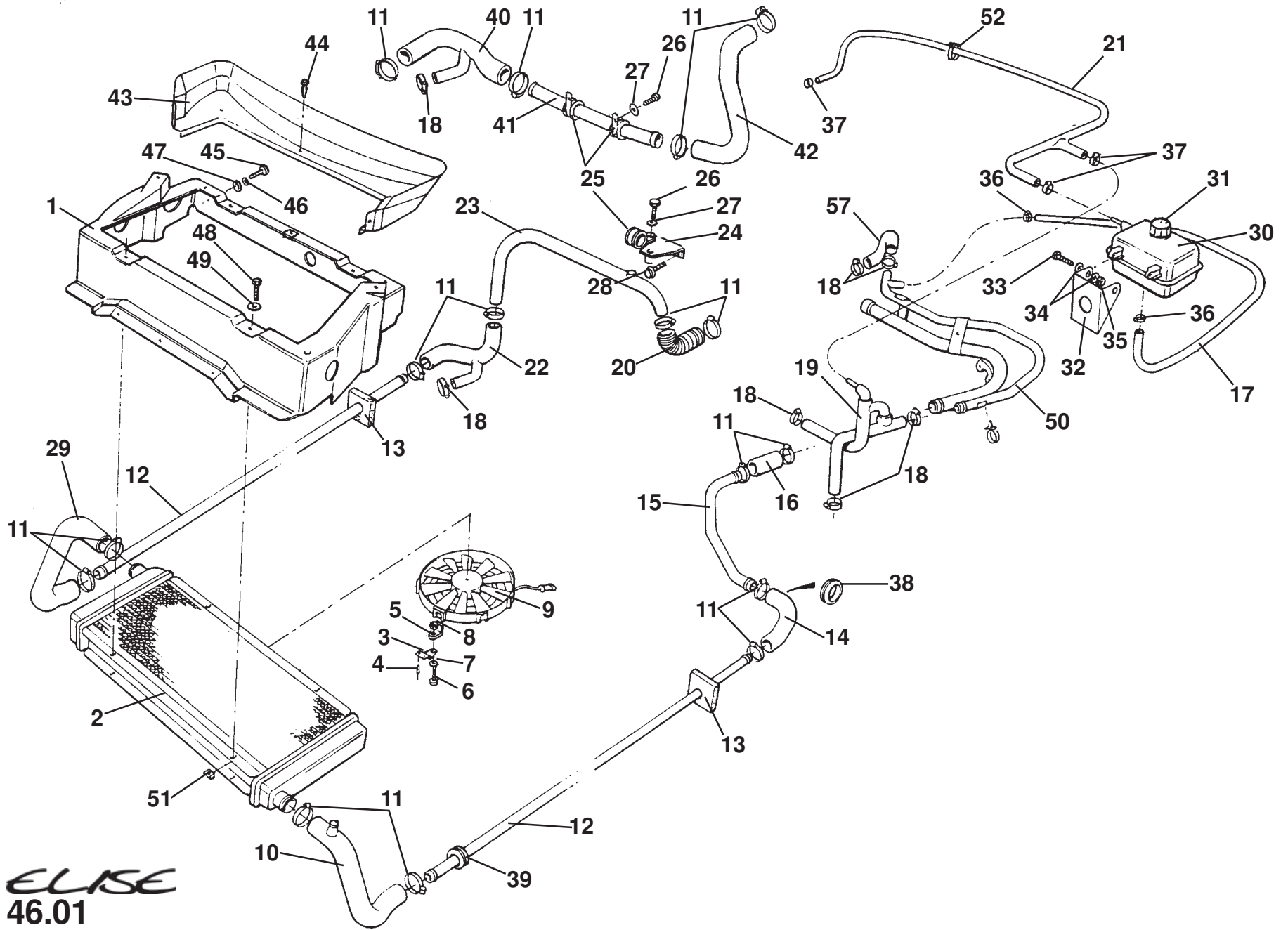
<u>Dep</u>	<u>Part Description</u>	<u>Remarks</u>	<u>Option</u>	<u>Part Number</u>	<u>Qty</u>
16	Heatshield, boot floor	Alloy floor	Prior to VIN* (see below)	A111S0024F	1
16a	Heatshield, boot floor	Composite floor (bootbox)	From VIN* (see below)	A111S0053F	1
17	Heatshield, catalyst,	One piece, alloy floor	Prior to VIN* (see below)	D111S0041F	1
18	Heatshield, catalyst, upper	Composite floor (bootbox)	From VIN* (see below)	A111S0054F	1
19	Heatshield, catalyst, lower	Composite floor (bootbox)	From VIN* (see below)	A111S0055F	1
20	Pop Rivet, 3/16, large flange, heatshield to floor/longerons			A089W6297F	3
21	Heatshield Kit, alternator/cam belt	Comprising items 22 to 27	From VIN: X 5329, see S/B 1999/04	A111E0044S	1
22	Heatshield, alternator/cam belt		Heater cars	A111E6218F	1
22a	Heatshield, alternator/cam belt		AC cars, 2000 MY	A111E6126F	1
23	Setscrew, M8 x 20, flg. hd., heatshield to head			A075W4032Z	1
24	Washer, spring, M8			A075W4032Z	1
25	Setscrew, M6 x 12, flg. hd., heatshield to bracket			A111E6007F	2
26	Setscrew, M10, flg. hd., bracket to block			A111E6225F	1
27	Mounting Bracket, heatshield			A111E6224F	1
28	Heatshield, balljoint		From VIN: Y 0939	A111S0074F	1
29	Screw, M6 x 12, hex. hd., heatshield fix.		From VIN: Y 0939	A075W1027Z	3
30	Washer, spring, M6		From VIN: Y 0939	A075W4035Z	3
31	Washer, flat, M6 x 15 x 1.5		From VIN: Y 0939	A075W4015Z	3

*VIN: W4976 (approx.) plus:
4140, 4315, 4365, 4383, less
4653

ELISE

Function Code: 45.05, Page: 2

Updated 3rd May 2016



ELISE
46.01

Service Parts List *ELISE*



Function Code 46.01 Engine Cooling System & Fan

<u>Dep</u>	<u>Part Description</u>	<u>Remarks</u>	<u>Option</u>	<u>Part Number</u>	<u>Qty</u>
01	Radiator Housing	AC commonised	C111B0018K R/B	A111B0381K	1
02	Radiator		15 fpi prior to '98 MY	B111K0006F	1
02a	Radiator		20 fpi AC & '98 MY	A111K0021F	1
03	Bracket, radiator fan mtg.			A111K0001F	4
04	Pop Rivet			A075W6087Z	8
05	Bracket, radiator fan mtg.			A111K6003F	4
06	Setscrew, M6 x 16			A075W1028Z	4
07	Washer, M6			A075W4017Z	4
08	Nyloc Nut, M6			A907E6285F	4
09	Radiator Cooling Fan			A111K6002F	1
10	Hose, pipe to radiator LH (Incl. bleed valve)			A111K0007F	1
11	Hose Clip, 25-40mm			A075M6145F	12
12	Pipe, chassis water rail		A111K0005F R/B	A111K0041F	2
13	Seal, pipe to chassis			A111A0033F	4
14	Hose, engine inlet			A111K0016F	1
15	Pipe, engine inlet			A111K0017F	1
16	Hose, engine inlet			A111K0015F	1
17	Hose, header tank to engine			A079P4056F	1

ELISE

Function Code: 46.01, Page: 1

Updated 2nd March 2015

Function Code 46.01 Engine Cooling System & Fan

<u>Dep</u>	<u>Part Description</u>	<u>Remarks</u>	<u>Option</u>	<u>Part Number</u>	<u>Qty</u>
18	Hose Clip, 16-25mm			A079K6018F	11
19	Hose, coolant bypass heater return			A111K0004K	1
20	Hose, engine water outlet			C111K0011F	1
21	Hose, header tank bleed			A111K0040F	1
22	Hose, engine outlet/heater feed			C111K0002F	1
23	Pipe, engine outlet			B111K0012F	1
24	Bracket, water pipe mounting			A111K0010J	1
25	'P' Clip			A111W6573F	1
26	Setscrew, M8 x 25			A075W1039Z	1
27	Washer, M8			A075W4020Z	3
28	Setscrew, M8 x 20			A075W1038Z	2
29	Hose, pipe to radiator, RH			A111K0008F	1
30	Header Tank			A111K6004F	1
31	Pressure Cap			A111K6001F	1
32	Bracket, header tank mounting			C111K0003F	1
33	Setscrew, M6 x 25 S/S			A918W1151F	2
34	Washer, flat, M6			A075W4015Z	4
35	Nyloc Nut, M6			A907E6285F	2
36	Hose Clip, 20-32mm			B907E6085F	2
37	Hose Clip, 8-16mm			A082L6042F	3
38	Grommet, hose through chassis rear			A082K6022F	2

ELISE

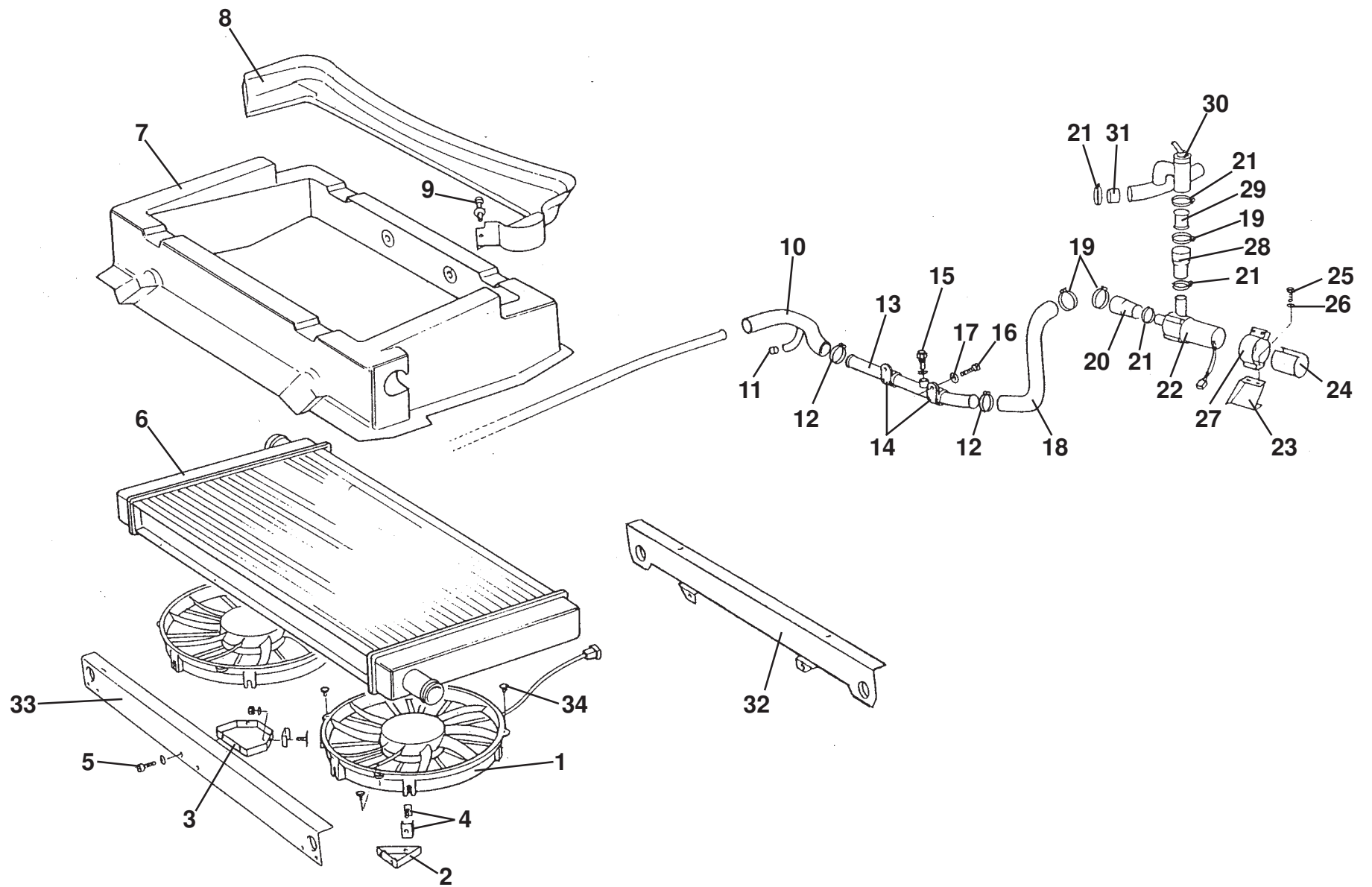
Function Code: 46.01, Page: 2

Updated 2nd March 2015

Function Code 46.01 Engine Cooling System & Fan

<u>Dep</u>	<u>Part Description</u>	<u>Remarks</u>	<u>Option</u>	<u>Part Number</u>	<u>Qty</u>
39	Grommet, pipe through chassis front			A111K6006F	2
40	Hose, engine outlet/heater feed	Refer to SB_2010_04		A111K0022F	1
40a	Hose, engine outlet/heater feed	Refer to SB_2010_04	Remote thermostat	A111K0029F	1
41	Pipe, engine outlet	Refer to SB_2010_04		A111K0024F	1
42	Hose, engine outlet			A111K0023F	1
43	Sealing Fence, rad. housing to bonnet			A111B0020K	1
44	Plastic Fastener, fence fix.			A111W6535F	5
45	Screw, M5 x 16, pozi., housing to crash structure			A082W5107F	6
46	Washer, spring, M5			A082W4097F	6
47	Washer, flat, 0.75"			A075W4009Z	6
48	Setscrew, M6 x 16, hex. hd., rad. to housing			A075W1028Z	4
49	Washer, flat, M6 x 25 x 1.4			A075W4017Z	4
50	Coolant Pipe, engine return	Mounted on engine		A111E6229S	1
51	Cage Nut, rad. to housing			A100W6362F	4
52	Clip			A082W6587F	2
53	Grommet, blanking			X026B0371Z	1
54	Hose, bypass, pipe to thermostat			A111E6459S	1
55	Antifreeze	Not illustrated		A082K6063V	4 Ltr
56	Hose, bypass, pipe to thermostat			A111E6459S	1
57	Thermostat kit, remote pressure relief	Not illustrated, SB_2010_04		A117E6115S	1

ELISE



ELISE
46.02

Function Code 46.02 Engine Cooling System & Fans, AC Cars

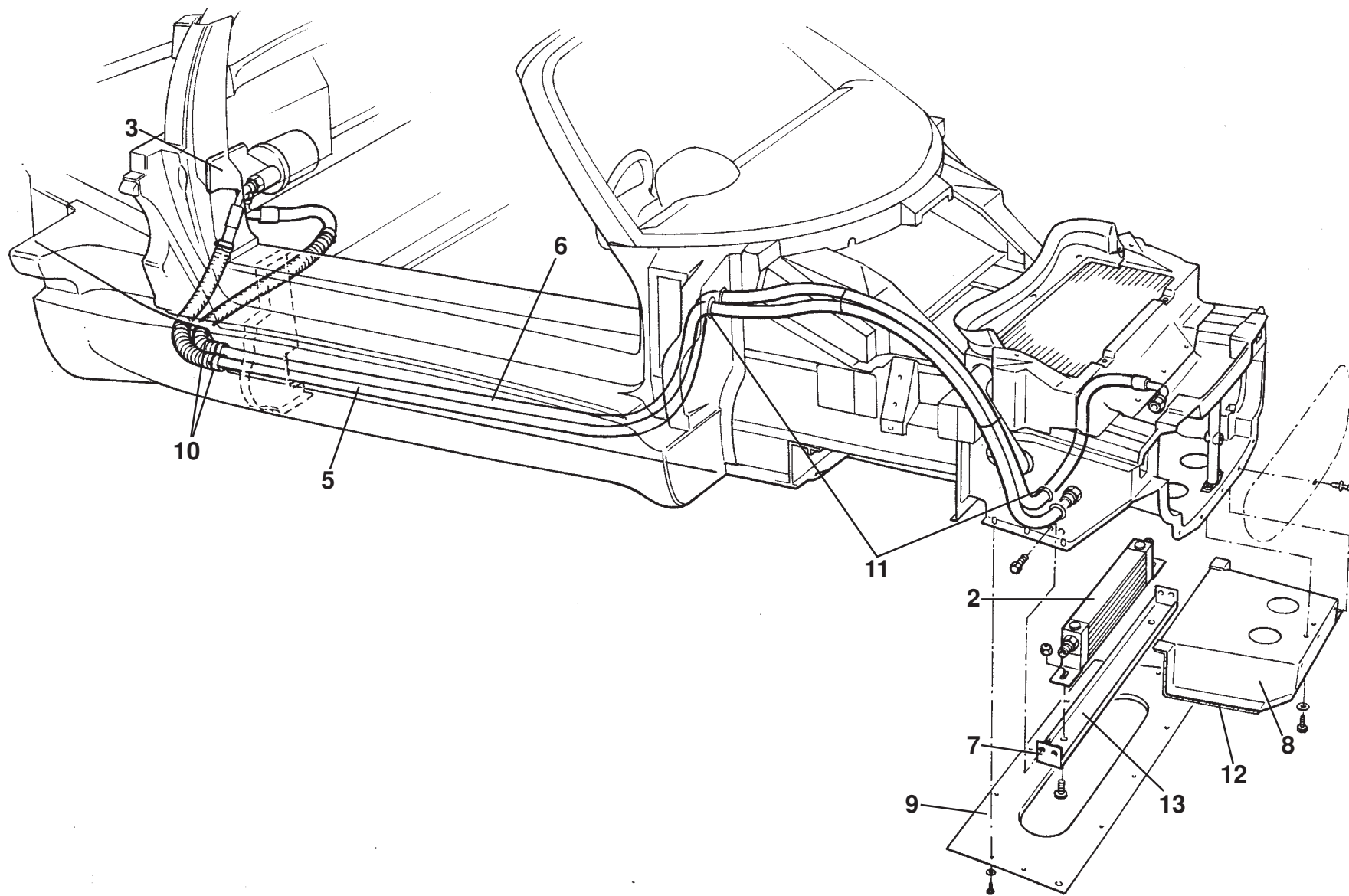
<u>Dep</u>	<u>Part Description</u>	<u>Remarks</u>	<u>Option</u>	<u>Part Number</u>	<u>Qty</u>
01	Fan, radiator cooling			A111M6070F	2
02	Mounting Bracket, fans side fixings	Not AC/heater cars built in 2000*	AC only cars	A111P0087F	4
03	Mounting Bracket, fans centre fixings	Not AC/heater cars built in 2000*	AC only cars	A111P0086F	2
04	Mounting Kit, radiator Fan	Not AC/heater cars built in 2000*	AC only cars	A111P6020F	6
05	Screw, M6 x 12, bracket to frame mounting	Not AC/heater cars built in 2000*	AC only cars	A111E6007F	6
06	Radiator, 20 fpi		Also heater only cars	A111K0021F	1
07	Radiator Housing		Also heater only cars	A111B0381K	1
08	Sealing Fence, rad. housing to bonnet			A111B0397K	1
09	Fastener, plastic, sealing fence to radiator housing			A111W6535F	5
10	Hose, engine outlet			A111K0029F	1
11	Blanking Plug	Not AC/heater cars built in 2000	AC only cars	A111P0212F	1
12	Hose Clip			A075M6145F	2
13	Water Pipe, engine outlet, with thermal switch boss	Also AC/heater cars built in 2000		A111K0030F	1
14	'P' Clip, water pipe securing			A111W6624F	2
15	Temperature Switch, hot shut down pump	Also AC/heater cars built in 2000		A111M6075F	1
16	Bolt, M6 x 25, hex hd., clip to chassis			A918W1151F	2
17	Washer, flat, M6 x 12.1 x 1, clip to chassis			A075W4013Z	2
18	Hose, upper engine bay, engine outlet			A111K0023F	1
19	Hose Clip			A075M6145F	3
20	Hose, moulded, hot soak pump to engine			B111P0169F	1
21	Hose Clip			B907E6085Z	4

ELISE

Function Code 46.02 Engine Cooling System & Fans, AC Cars

<u>Dep</u>	<u>Part Description</u>	<u>Remarks</u>	<u>Option</u>	<u>Part Number</u>	<u>Qty</u>
22	Recirculation Pump			A082K4263F	1
23	Mounting Bracket, recirc. pump			A111P0168F	1
24	Rubber Sleeve, clamp to recirc. pump			A100K0041K	1
25	Setscrew, M5 x 16, hex. hd., clamp to bracket			A075W1085F	2
26	Washer, int. shakeproof, M5, clamp to bracket			A075W4045Z	2
27	Clamp, recirc. pump mounting			B100K0040F	1
28	Hose, special, recirc. pump			A111P0232F	1
29	Adaptor sleeve, recirc. pump			A111P0170F	1
30	Hose, coolant bypass			A111P0171K	1
31	Blanking plug, bypass hose	Not AC/heater cars built in 2000	AC only cars	A111P0174K	1
32	Bracket, condenser & fans mounting, rear	Also see 18.03		A111P0084F	1
33	Bracket, condenser & fans mounting, front	Also see 18.03		A111P0085F	1
34	Grommet, fan to condenser spacing			A111P6021F	8

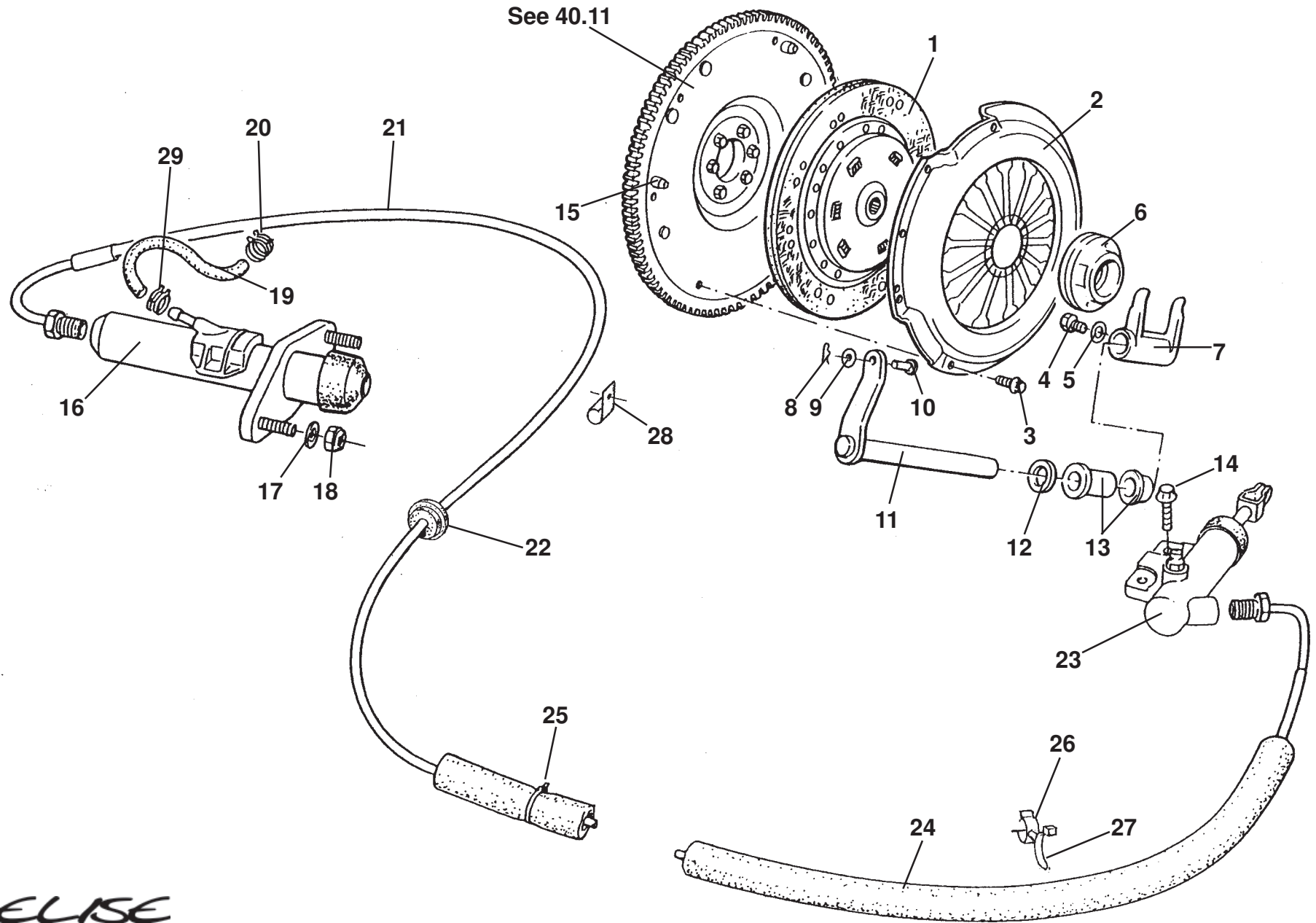
*For fixings see Exige parts list:
section 46.02



ELISE
46.03

Function Code 46.03 Oil Cooler/Heat Exchanger & Pipes

<u>Dep</u>	<u>Part Description</u>	<u>Remarks</u>	<u>Option</u>	<u>Part Number</u>	<u>Qty</u>
01	Oil Cooler Kit	Comprises items: 02-13, + fixings	MOTOR SPORT	A111K0037S	1
02	Oil Cooler		MOTOR SPORT	A111K0036S	1
03	Oil Filter Housing		MOTOR SPORT	A111E6146S	1
04	90° Connector, oil pressure switch	On filter housing, not illustrated	MOTOR SPORT	A111E6147S	1
05	Hose, oil cooler feed		MOTOR SPORT	A111K0035S	1
06	Hose, oil cooler return, incl heatshield sleeving	A111K0034F R/B	MOTOR SPORT	B111K0034J	1
07	Mounting Bracket, oil cooler		MOTOR SPORT	A111K0032S	1
08	Duct, oil cooler		MOTOR SPORT	A111K0039F	1
09	Undertray, front		MOTOR SPORT	A111B0400F	1
10	Convolute Hose Protector		MOTOR SPORT	A082V7779V	0.3M
11	Grommet, cooler hose	A079U6033F R/B	MOTOR SPORT	B111G6012F	4
12	Self adhesive foam, 19 x 3 mm	Underside of cooler duct flange	MOTOR SPORT	A082U6067F	1.0M
13	Self adhesive foam, 25 x 12.5 mm	Beneath oil cooler mtg. brkt.	MOTOR SPORT	A082U6065V	0.5M
14	Heatshield Sleeving	Part of hose, item: 6	MOTOR SPORT	A082H4077V	1.0M



ELISE
47.01

Service Parts List *ELISE*



Function Code 47.01 Clutch & Release Mechanism

<u>Dep</u>	<u>Part Description</u>	<u>Remarks</u>	<u>Option</u>	<u>Part Number</u>	<u>Qty</u>
01	Clutch Driven Plate			A111Q6005S	1
02	Clutch Cover			A111Q6004S	1
03	Bolt, clutch to flywheel			A111Q6010S	6
04	Bolt, release fork to shaft			A111Q6013S	1
05	Washer, flat			A111Q6014S	1
06	Clutch Release Bearing			A111Q6007S	1
07	Clutch Fork			A111Q6011S	1
08	'R' Clip			A082W6348F	1
09	Washer, spring, fork to shaft			A111Q6014S	1
10	Clevis Pin	Rover PC108321 (A)		TBA	1
11	Lever/Shaft, clutch release fork			A111Q6012S	1
12	Seal, clutch shaft			A111F6031S	1
13	Bush Kit, Clutch shaft			A111F6032S	1
14	Screw, M10 x 22, slave cylinder to mtg. bracket			A111E6140S	2
15	Dowel, clutch to flywheel			A111Q6009S	3
16	Clutch Master Cylinder	Supplied with push rod not used for Elise reuse original pushrod & stop washer		A111Q6001F	1
17	Washer, M8 x 16.6, master cylinder to pedal box			A075W4020F	2

ELISE

Function Code: 47.01, Page: 1

Updated 16th July 2012

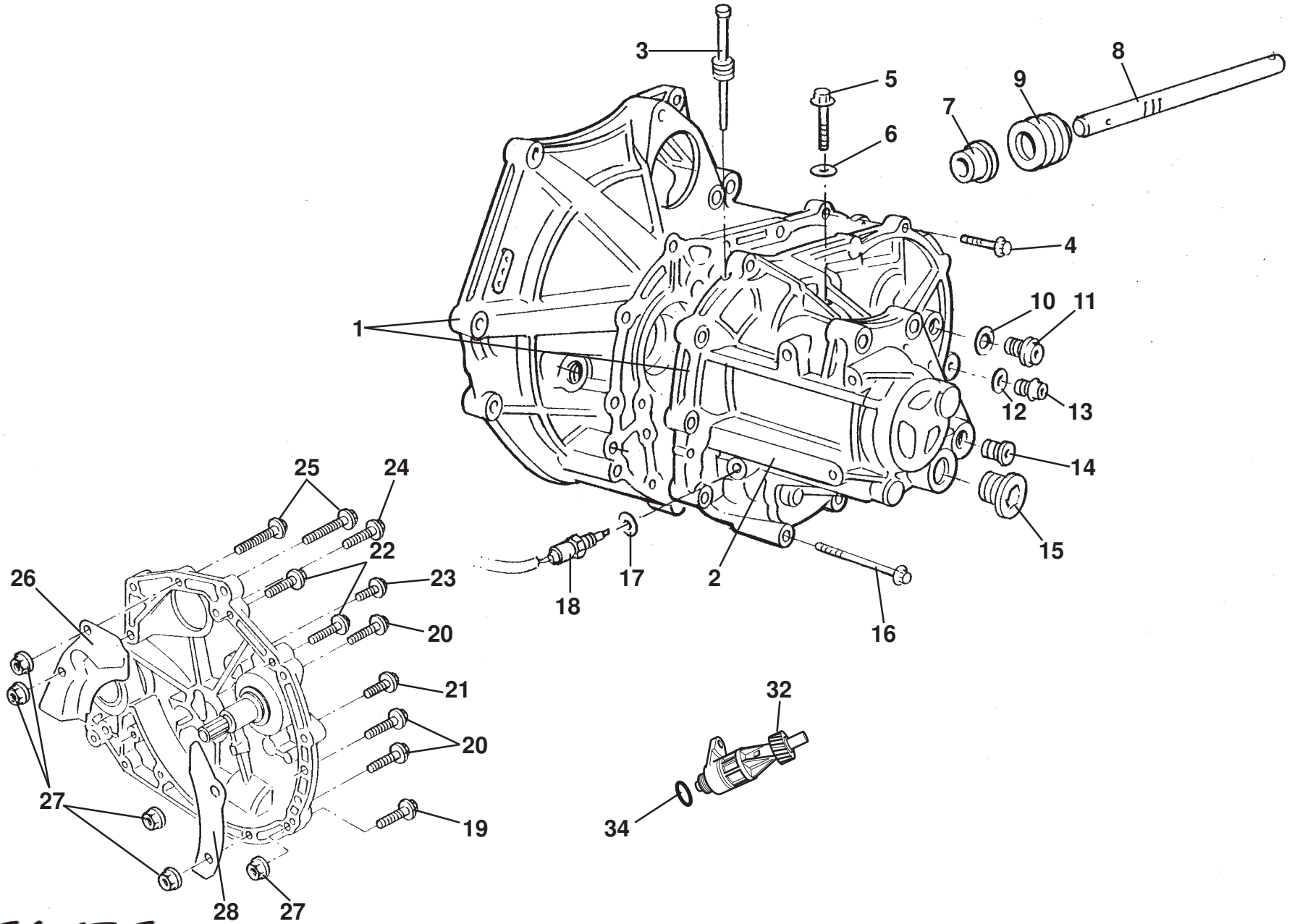
Function Code 47.01 Clutch & Release Mechanism

<u>Dep</u>	<u>Part Description</u>	<u>Remarks</u>	<u>Option</u>	<u>Part Number</u>	<u>Qty</u>
18	Nyloc Nut, M8, master cylinder to pedal box			A111W3126F	2
19	Hose, reservoir to clutch master cylinder		C111J0085F R/B	A117J0082F	1
20	Clip, hose to reservoir to cylinder		A079W6189F R/B	A918W6541F	1
21	Pipe Assembly, clutch	Steel braided		B111Q0005S	1
22	Grommet, clutch pipe to bulkhead			A075U6043F	1
23	Clutch Slave Cylinder			A111Q6006S	1
24	Tube, anti rattle clutch pipe through body side			A111J0084K	1
25	Cable Tie, tube to clutch pipe			A075W6038Z	4
26	Swivel Clip, cable tie fixing			A082W6587F	2
27	Cable Tie, swivel clip type			A082W6324F	2
28	'P' Clip, pipe fixing		RHD	A075W6228F	1
29	Hose Clip, hose to master cylinder			A079W6189F	1
30	Repair Kit, slave cylinder	Not illustrated		A111Q6008S	1

ELISE

Function Code: 47.01, Page: 2

Updated 16th July 2012



ELISE
47.03

Updated 24th January 2013

Service Parts List *ELISE*



Function Code 47.03 Transmission Assembly

<u>Dep</u>	<u>Part Description</u>	<u>Remarks</u>	<u>Option</u>	<u>Part Number</u>	<u>Qty</u>
01	Transmission Assy., ('A' Type Seals), C6BP	See 47.15		A111F6027W	1
01a	Transmission Assy., ('B' Type Seals), C6BP	See 47.15		A111F6028S	1
01b	Transmission Assy., close ratio, 4.2 FD, B4BP		111S, Sport 135, 190	A111F0034S	1
02	Transmission Main Casing			A111F6037S	1
03	Breather Pipe	Stick type, late cars	A111F6157S...R/B	A111F6169S	1
03a	Plug, fits to breather pipe			A111F6158S	1
03b	Clamp, breather pipe securing			A111F6160S	1
03c	Clip, breather pipe to spigot securing			A111F6159S	1
04	Bolt, M10 x 42, flg. hd., transmission to clutch housing			A111F6161S	12
05	Bolt, flg. hd., reverse idler shaft fixing			A111F6162S	1
06	Washer, reverse idler shaft fixing			A111F6163S	1
07	Oil Seal, Gearshift Rod			A111F6023S	1
08	Rod, Gearshift			A111F6033S	1
09	Gaiter, gear shift rod			A111F6180S	1
10	Washer, filler/level plug, 20 mm			A111F6166S	1
11	Plug, filler/level			A111F6165S	1
12	Washer, drain plug			A111E6035S	1
13	Drain Plug			A111F6026S	1

ELISE

Function Code: 47.03, Page: 1

Updated 24th January 2013

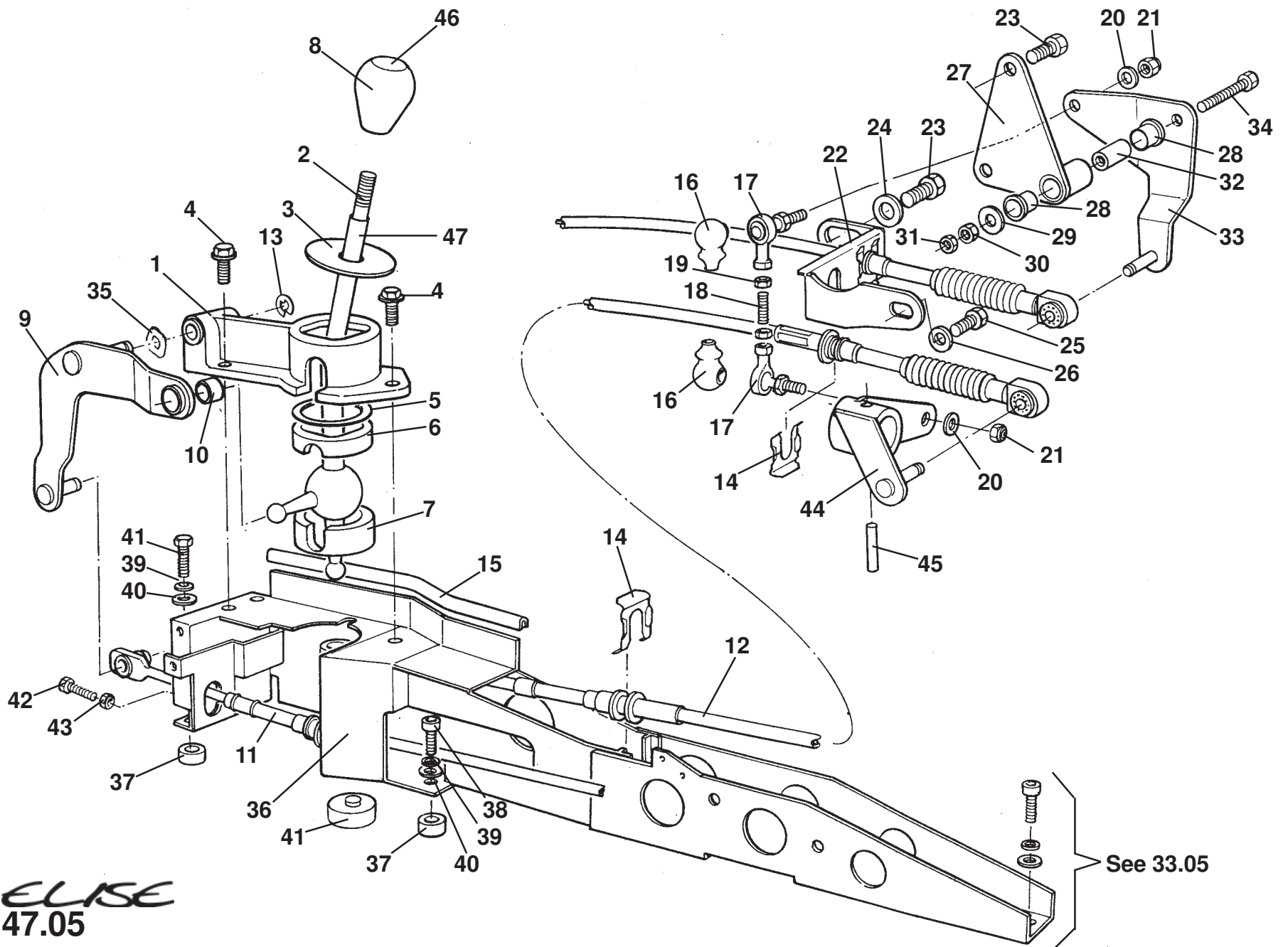
Function Code 47.03 Transmission Assembly

<u>Dep</u>	<u>Part Description</u>	<u>Remarks</u>	<u>Option</u>	<u>Part Number</u>	<u>Qty</u>
14	Sealing Plug, rear of transmission case			A111F6168S	1
15	Plug, access to output shaft bearing circlip, 32 mm			A111F6167S	1
16	Bolt, M10 x 92, flg. hd., transmission to clutch housing			A111F6164S	2
17	Sealing Washer, reverse switch			A111E6035S	1
18	Reverse Lamp Switch			A111F6021S	1
19	Bolt, M12 x 80 , transmission to engine			A111F6170S	1
20	Bolt, M12 x 50 , transmission to engine			A111F6171S	3
21	Screw, M10 x 35 , transmission to engine			A111F6172S	1
22	Bolt, M12 x 30 , transmission to engine			A111F6181S	2
23	Screw, M10 x 30 , transmission to engine			A111F6174S	1
24	Bolt, M12 x 65 , transmission to engine			A111F6175S	1
25	Bolt, M12 x 90 , transmission to engine			A111F6176S	2
26	Closure Plate, rear			A111F6177S	1
27	Nut, M12, front/rear closure plates fixing			A111F6178S	5
28	Closure Plate, front			A111F6179S	1
29	Magnet, swarf attraction, transmission case	Not illustrated		A111F6100S	1
30	Dowel, clutch housing to gearbox	Not illustrated		A111F6197S	2
31	Gearbox Oil, Texaco MTF 94	Not illustrated		A111F6017V	2.1lit
32	Speedo Driven Gear Assembly			A111F6038S	1
33	Screw Driven Gear Assembly	Not illustrated		A111F6039S	1
34	'O' Ring Driven Gear Assembly			A111F6020S	1

ELISE

Function Code: 47.03, Page: 2

Updated 24th January 2013



ELISE
47.05

Function Code 47.05 Gearchange Mechanism, External

<u>Dep</u>	<u>Part Description</u>	<u>Remarks</u>	<u>Option</u>	<u>Part Number</u>	<u>Qty</u>
01	Housing, gear lever pivot			A111F6008F	1
02	Gear Lever	Includes heatshrink, item 48		A111F0013F	1
03	Dust Shield, gear lever			A111F0005K	1
04	Screw, self tap., housing to bracket			A111F6014F	3
05	Gasket/Spacer, neoprene			A111F6010H	1
06	Socket, upper			A111F6009H	1
07	Socket, lower			A111F6011H	1
08	Knob, gear lever, alloy			C111F0002F	1
09	Bellcrank/Pivot Pin Assembly			A111F6006H	1
10	Bush, bellcrank to lever			A111F6005H	1
11	Crossgate Cable, gearchange			A111F0004F	1
12	Selector Cable, gearchange			A111F0003F	1
13	Circlip, type 'E', pivot retention			A111E6012H	1
14	Retaining Clip, gear change			A111F6018F	4
15	Edging Strip, rubber			B075U6054V	0.13m
16	Boot, gear linkage			A082F4149F	2
17	Rod End, gear change			A082F6368F	2
18	Tie Rod			B111F0028F	1
19	Locknut			A082W3085F	2
20	Washer, flat, M5 x 12 x 1.4			A075W4013Z	2
21	Nyloc Nut, M5			A075W3009Z	2

ELISE

Function Code 47.05 Gearchange Mechanism, External

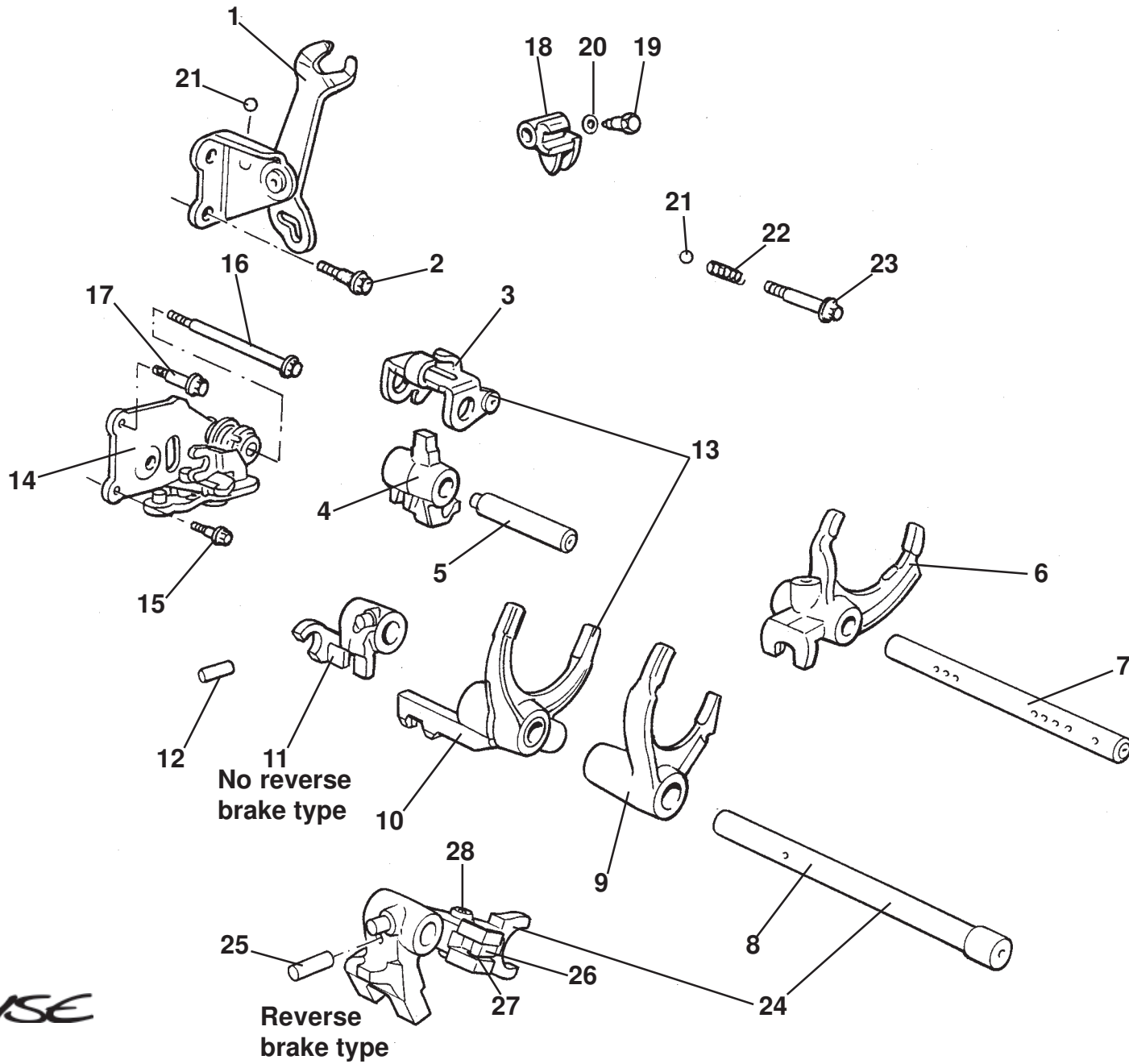
<u>Dep</u>	<u>Part Description</u>	<u>Remarks</u>	<u>Option</u>	<u>Part Number</u>	<u>Qty</u>
22	Bracket Abutment, gear linkage			A111F0015F	1
23	Screw, M12 x 30, flg. hd., bracket to gearbox	Also replaces washer, item 24	A082W1141F R/B	A117W2205F	2
24	Washer, flat, M12 x 23.5 x 2.3	R/B flg. hd. screw, item 23	A075W4028Z R/B	A117W2205F	1
25	Screw, M10 x 25, hex. hd. bracket to gearbox			A075W1048Z	1
26	Washer, flat, M10 x 20 x 1.8			A075W4024Z	1
27	Pivot Plate Assembly			A111F0023F	1
28	Bush			A111F6015F	2
29	Washer, flat, M8		A079W4019F R/B	A111W3148F	1
30	Nut, M8, flg. hd.	Replaces 29 & 31	A075W3021Z R/B	A111W3148F	1
31	Nut, M8, hex thin		A075W3026Z R/B	A111W3148F	1
32	Pivot Shaft, gear linkage		A111F0026F R/B	A117F0009F	1
33	Crossgate Selector			A111F0016F	1
34	Screw, M8 x 45, hex. hd.	Must be used with items 30 & 32	A075W1043Z R/B	A117W5251F	1
35	Washer, wavy, M10 x 15 x 0.16			A111W4167F	1
36	Mounting Bracket, gear selector mechanism			C111F0006F	1
37	Spacer, mounting bracket to gear selector			A111F0012F	3
38	Screw, M8 x 30, cap hd., bracket to floor			A089W7052F	1
39	Washer, spring, M8			A075W4036Z	3
40	Washer, flat, M8 x 16.6 x 1.4			A075W4020F	1
41	Spacer, gear selector mounting bracket to step plate			A111F0032F	2
42	Screw, M5 x 16, hex. hd.			A075W1085F	1

ELISE

Function Code 47.05 Gearchange Mechanism, External

<u>Dep</u>	<u>Part Description</u>	<u>Remarks</u>	<u>Option</u>	<u>Part Number</u>	<u>Qty</u>
43	Nut, M5, crossgate stop			A082W3084F	1
44	Link, gear selector			B111F0019F	1
45	Translator Pin, gearbox			A111F6019F	1
46	Label, gear change pattern			A111U0004F	1
47	Heatshrink Tube, gearlever	Part of lever, item 2		A111V6021V	As req.
48	Permabond A130, knob to lever	Not illustrated		A912E7033V	As req.

ELISE



ELISE
47.06

Function Code 47.06 Gear Selector Mechanism, Internal

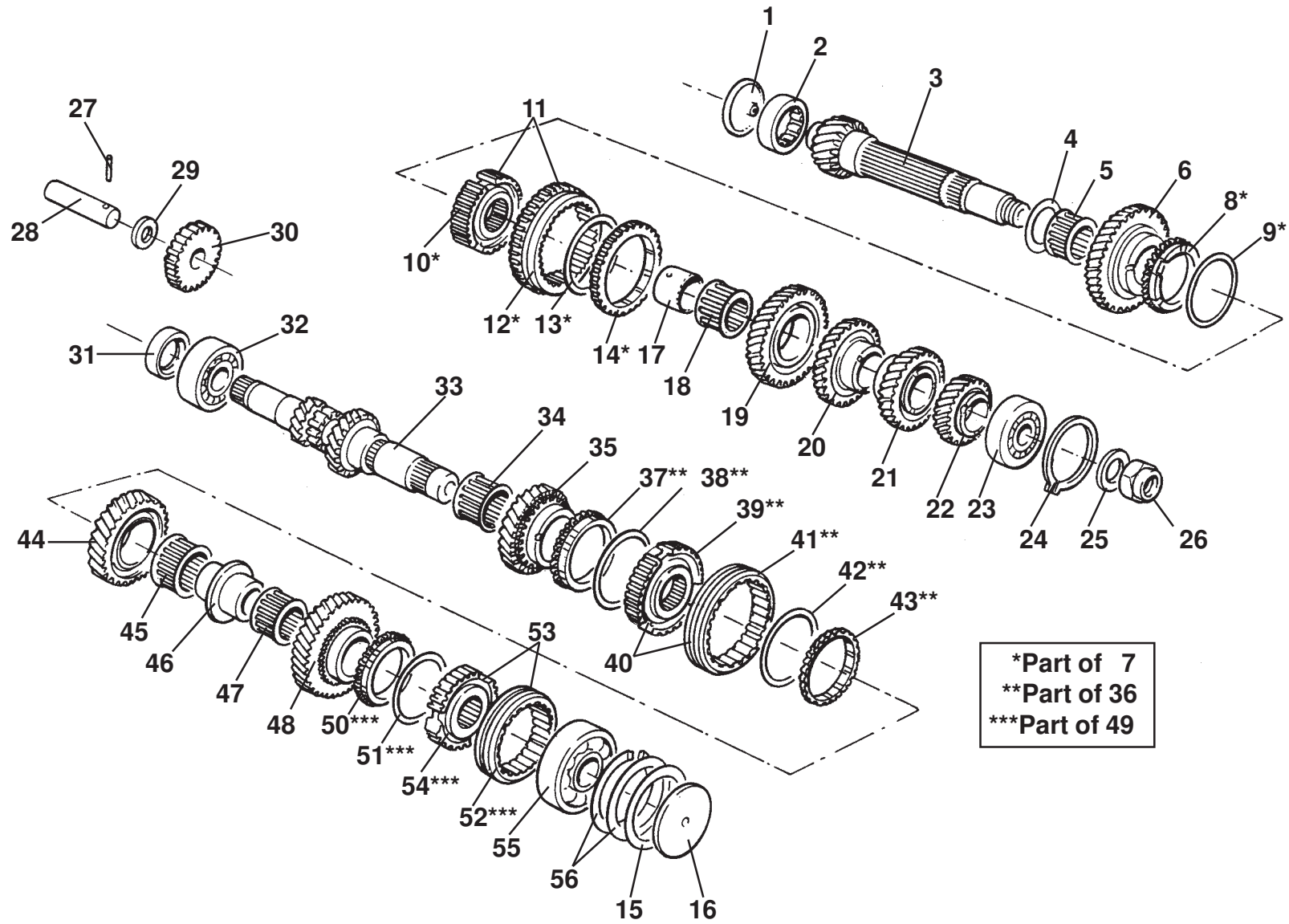
<u>Dep</u>	<u>Part Description</u>	<u>Remarks</u>	<u>Option</u>	<u>Part Number</u>	<u>Qty</u>
01	Reverse Selector Fork			A111F6143S	1
02	Bolt, M6 x 22.5 , selector fix.			A111F6144S	2
03	Interlock Guide		A111F6145S R/B	A111F6156S	1
04	Selector Actuator			A111F6146S	1
05	Selector Shaft			A111F6147S	1
06	Selector Fork, 1st/2nd gears			A111F6148S	1
07	Selector Shaft, 1st/2nd gears, no reverse brake		A111F6149S R/B	B111F6149S	1
07a	Selector Shaft, 1st/2nd gears, reverse brake			B111F6149S	1
08	Selector Shaft, 5th/reverse gears	No reverse brake	A111F6150S R/B	B111F6150S	1
09	Selector Fork, 5th gear			A111F6151S	1
10	Selector Fork, 3rd/4th gears		A111F6152S R/B	A111F6156S	1
11	Gear Selector, 5th/reverse gears, no reverse brake			A111F6153S	1
12	Roll Pin, 5th/reverse selector			A111F6154S	1
13	Kit: Interlock Guide/Selector Fork, 3rd/4th gears	Replaces items: 3 & 10		A111F6156S	1
14	Translator Assembly			A111F6202S	1
15	Bolt, M6 x 22.5, flg. hd., translator fix.			A111F6144S	1
16	Bolt, special, M8, flg. hd., translator fix.			A111F6204S	1
17	Bolt, M6 x 18, flg. hd., translator fix.			A111F6203S	1
18	Selector Shaft Guide			A111F6198S	1
19	Dowel Bolt, M8 x 18, flg. hd.			A111F6199S	1
20	Washer, spring, M8			A111F6014S	1

ELISE

Function Code 47.06 Gear Selector Mechanism, Internal

<u>Dep</u>	<u>Part Description</u>	<u>Remarks</u>	<u>Option</u>	<u>Part Number</u>	<u>Qty</u>
21	Steel Ball, detent			A111F6201S	2
22	Spring, detent			A111F6206S	1
23	Cap Bolt, spring retention			A111F6205S	1
24	Selector Shaft Assembly, 5th/reverse gears	Includes 5th/reverse selector	Reverse brake	B111F6150S	1
25	Roll Pin, selector to shaft		Reverse brake	A111F6209S	1
26	Shuttle, reverse gear brake		Reverse brake	A111F6210S	1
27	Spring, shuttle to selector		Reverse brake	A111F6211S	1
28	Screw, special, M3 x 8, spring to selector		Reverse brake	A111F6212S	2

ELISE



ELISE
47.07

Service Parts List *ELISE*



Function Code 47.07 Gears, Shafts & Bearings

<u>Dep</u>	<u>Part Description</u>	<u>Remarks</u>	<u>Option</u>	<u>Part Number</u>	<u>Qty</u>
01	Oil Guide Plate, input shaft			A111F6065S	1
02	Caged Roller Bearing, output shaft			A111F6066S	1
03	Output Shaft, 16 teeth (3.9 FD ratio)			A111F6067S	1
03a	Output Shaft, 15 teeth (4.2 FD ratio)	Close ratio gearbox	111S, Sport 135, 190	A111F6189S	1
04	Selective Thrust Washer, 1.96 mm	1st gear end float adjustment		A111F6068S	As req.
04a	Selective Thrust Washer, 1.99 mm	1st gear end float adjustment		A111F6069S	As req.
04b	Selective Thrust Washer, 2.02 mm	1st gear end float adjustment		A111F6070S	As req.
04c	Selective Thrust Washer, 2.05mm	1st gear end float adjustment		A111F6071S	As req.
04d	Selective Thrust Washer, 2.08mm	1st gear end float adjustment		A111F6072S	As req.
05	Needle Roller Bearing, 1st gear			A111F6073S	1
06	1st Gear, 38 Teeth			A111F6074S	1
06a	1st Gear	Close ratio gearbox	111S, Sport 135, 190	A111F6190S	1
07	Synchroniser Assembly, 1st/2nd gear	Includes items: 8/9/10/12/13/14		A111F6075S	1
08	Synchro Ring, 1st gear	Part of item: 7		A111F6076F	1
09	Synchro Spring, 1st gear	Part of item: 7		A111F6077S	1
10	Synchro Hub, 1st/2nd gear	Part of item: 7 & 11		A111F6078S	1
11	Synchro Hub/Sleeve Assembly	Assy. of items: 10 & 12		A111F6109S	1
12	Synchro Sleeve, 1st/2nd gear	Part of item: 7 & 11		A111F6079S	1

ELISE

Function Code: 47.07, Page: 1

Updated 6th November 2010

Function Code 47.07 Gears, Shafts & Bearings

<u>Dep</u>	<u>Part Description</u>	<u>Remarks</u>	<u>Option</u>	<u>Part Number</u>	<u>Qty</u>
13	Synchro Spring, 2nd gear	Part of item: 7		A111F6080S	1
14	Synchro Ring, 2nd gear	Part of item: 7 not available seperatly		A111F6081S	1
15	Thrust Washer, input shaft end			A111F6139S	1
16	Oil Guide Plate			A111F6140S	1
17	Selective Collar, 2nd gear end float adjustment			A111F6082F	As req.
17a	Selective Collar, 2nd gear end float adjustment			A111F6083S	As req.
17b	Selective Collar, 2nd gear end float adjustment			A111F6084S	As req.
17c	Selective Collar, 2nd gear end float adjustment			A111F6085S	As req.
18	Needle Roller Bearing, 2nd gear			A111F6086S	1
19	2nd Gear, 35 teeth			A111F6087S	1
19a	2nd Gear, 35 teeth	Close ratio gearbox	111S, Sport 135, 190	A111F6191S	1
20	3rd Gear, 34 teeth			A111F6088S	1
21	4th Gear, 31 teeth			A111F6089S	1
22	5th Gear, 26 teeth			A111F6090S	1
22a	5th Gear, 28 teeth	Close ratio gearbox	111S, Sport 135, 190	A111F6188S	1
23	Ball Bearing, output shaft			A111F6091S	1
24	Circlip, 60 mm			A111F6095S	1
25	Washer, tongued belleville, M23			A111F6093S	1
26	Lock Nut, M23 , LH thread, output shaft			A111F6094S	1
27	Roll Pin, reverse idler shaft locking.			A111F6097S	1

ELISE

Function Code 47.07 Gears, Shafts & Bearings

<u>Dep</u>	<u>Part Description</u>	<u>Remarks</u>	<u>Option</u>	<u>Part Number</u>	<u>Qty</u>
28	Reverse Idler Shaft			A111F6096S	1
29	Thrust Washer, reverse idler gear			A111F6098S	1
30	Reverse Idler Gear			A111F6099S	1
31	Oil seal, input Shaft			A111F6024S	1
32	Ball bearing, input shaft			A111F6101S	1
33	Input Shaft	Standard gearbox	A111F6102S R/B	A111F6207S	1
33a	Input Shaft	Close ratio gearbox	A111F6193S R/B	A111F6208S	1
34	Needle Roller Bearing, 3rd Gear			A111F6104S	1
35	3rd Gear, 26 teeth			A111F6103S	1
36	Synchroniser Assembly, 3rd/4th gear	Includes items: 37/38/39/41/42/43		A111F6105S	1
37	Synchro Ring, 3rd Gear	Part of item: 36		A111F6106S	1
38	Synchro Spring, 3rd Gear	Part of item: 36		A111F6107S	1
39	Synchro Hub, 3rd/4th Gear	Part of item: 36 & 40		A111F6110S	1
40	Synchro Hub/Sleeve assembly, 3rd/4th gear	Assy. of items: 39 & 41		A111F6108S	1
41	Synchro Sleeve, 3rd/4th Gears	Part of item: 36 & 40		A111F6111S	1
42	Synchro Spring, 4th Gear	Part of item: 36		A111F6112S	1
43	Synchro Ring, 4th Gear	Part of item: 36		A111F6113S	1
44	4th Gear, 30 teeth			A111F6114S	1
45	Needle Roller Bearing, 4th Gear			A111F6104S	1
46	Distance Collar, 4th/5th gear			A111F6115S	As req.
47	Needle Roller Bearing, 5th Gear			A111f6104S	1

ELISE**Function Code: 47.07, Page: 3***Updated 6th November 2010*

Function Code 47.07 Gears, Shafts & Bearings

<u>Dep</u>	<u>Part Description</u>	<u>Remarks</u>	<u>Option</u>	<u>Part Number</u>	<u>Qty</u>
48	5th Gear, 34 teeth			A111F6117S	1
48a	5th Gear, 33 teeth	Close ratio gearbox	111S, Sport 135, 190	A111F6187S	1
49	Synchroniser Assembly, 5th Gear	Includes items: 50/51/52/53/55		A111F6118S	1
50	Synchro Ring, 5th Gear	Part of item: 49		A111F6119S	1
51	Synchro Spring, 5th Gear	Part of item: 49 not available seperatly		A111F6120S	1
52	Synchro Sleeve, 5th Gear	Part of item: 49 & 54		A111F6123S	1
53	Synchro Hub/Sleeve assembly, 5th Gear	Assy. of items: 52 & 54		A111F6121S	1
54	Synchro Hub, 5th Gear	Part of item: 49 & 53		A111F6122S	1
55	Ball Bearing, input shaft			A111F6124S	1
56	Selective Snap Rings, input shaft, 0.50 mm			A111F6125S	As req.
56a	Selective Snap Rings, input shaft, 0.55 mm			A111F6126S	As req.
56b	Selective Snap Rings, input shaft, 0.60 mm			A111F6127S	As req.
56c	Selective Snap Rings, input shaft, 0.65 mm			A111F6128S	As req.
56d	Selective Snap Rings, input shaft, 0.70 mm			A111F6129S	As req.
56e	Selective Snap Rings, input shaft, 0.75 mm			A111F6130S	As req.
56f	Selective Snap Rings, input shaft, 0.80 mm			A111F6131S	As req.
56g	Selective Snap Rings, input shaft, 0.85 mm			A111F6132S	As req.
56h	Selective Snap Rings, input shaft, 0.90 mm			A111F6133S	As req.
56i	Selective Snap Rings, input shaft, 0.95 mm			A111F6134S	As req.
56j	Selective Snap Rings, input shaft, 1.00 mm			A111F6135S	As req.

ELISE**Function Code: 47.07, Page: 4***Updated 6th November 2010*

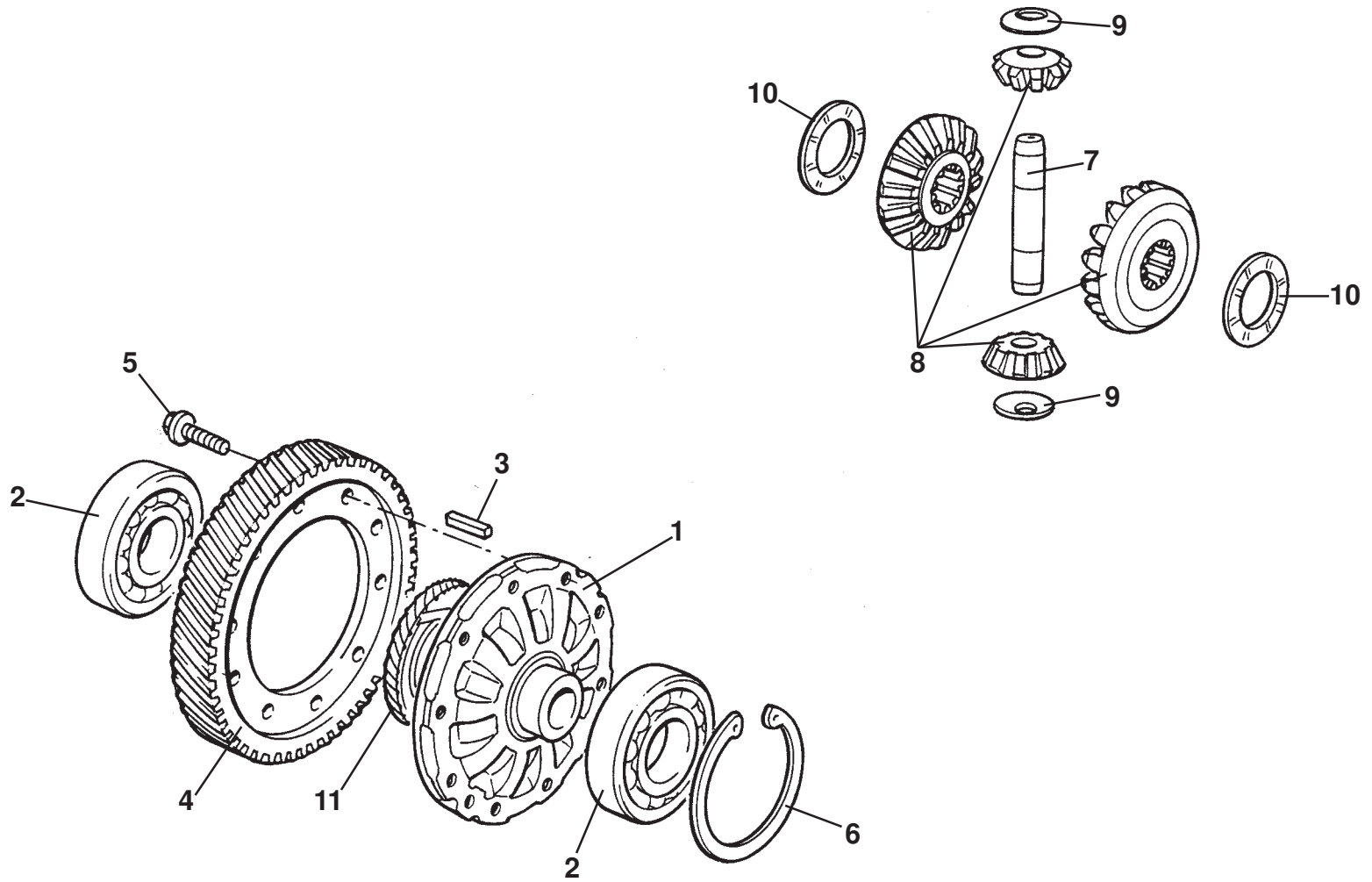
Function Code 47.07 Gears, Shafts & Bearings

<u>Dep</u>	<u>Part Description</u>	<u>Remarks</u>	<u>Option</u>	<u>Part Number</u>	<u>Qty</u>
56k	Selective Snap Rings, input shaft, 1.05 mm			A111F6136S	As req.
56L	Selective Snap Rings, input shaft, 1.10 mm			A111F6137S	As req.
56m	Selective Snap Rings, input shaft, 1.15 mm			A111F6138S	As req.

ELISE

Function Code: 47.07, Page: 5

Updated 6th November 2010



ELISE
47.11

Updated 2nd February 2015

Service Parts List *ELISE*



Function Code 47.11 Final Drive & Bearings

<u>Dep</u>	<u>Part Description</u>	<u>Remarks</u>	<u>Option</u>	<u>Part Number</u>	<u>Qty</u>
01	Differential Assembly,	Without ring gear		A111F6040S	1
02	Ball Bearing, differential			A111F6043S	2
03	Roll Pin, differential pinion shaft			A111F6044S	1
04	Final Drive Gear, 63 teeth, 3.9 ratio			A111F6045S	1
04a	Final Drive Gear, 63 teeth, 4.2 ratio	For close ratio gearbox	111S, Sport 135/190	A111F6196S	1
05	Bolt, final drive gear to differential casing			A111F6046S	10
06	Selective Circlip, 2.5 mm			A111F6047S	1
06a	Selective Circlip, 2.6 mm			A111F6048S	1
06b	Selective Circlip, 2.7 mm			A111F6049S	1
06c	Selective Circlip, 2.8 mm			A111F6050S	1
06d	Selective Circlip, 2.9 mm			A111F6051S	1
06e	Selective Circlip, 3.0 mm			A111F6052S	1
07	Pinion Shaft			A111F6053S	1
08	Sun/Planet Gear, matched set			A111F6055S	1
09	Thrust Washer, planet gear, 0.70 mm			A111F6056S	1
09a	Thrust Washer, planet gear, 0.75 mm			A111F6057S	1
09b	Thrust Washer, planet gear, 0.80 mm			A111F6058S	1
09c	Thrust Washer, planet gear, 0.85 mm			A111F6059S	1

ELISE

Function Code: 47.11, Page: 1

Updated 2nd February 2015

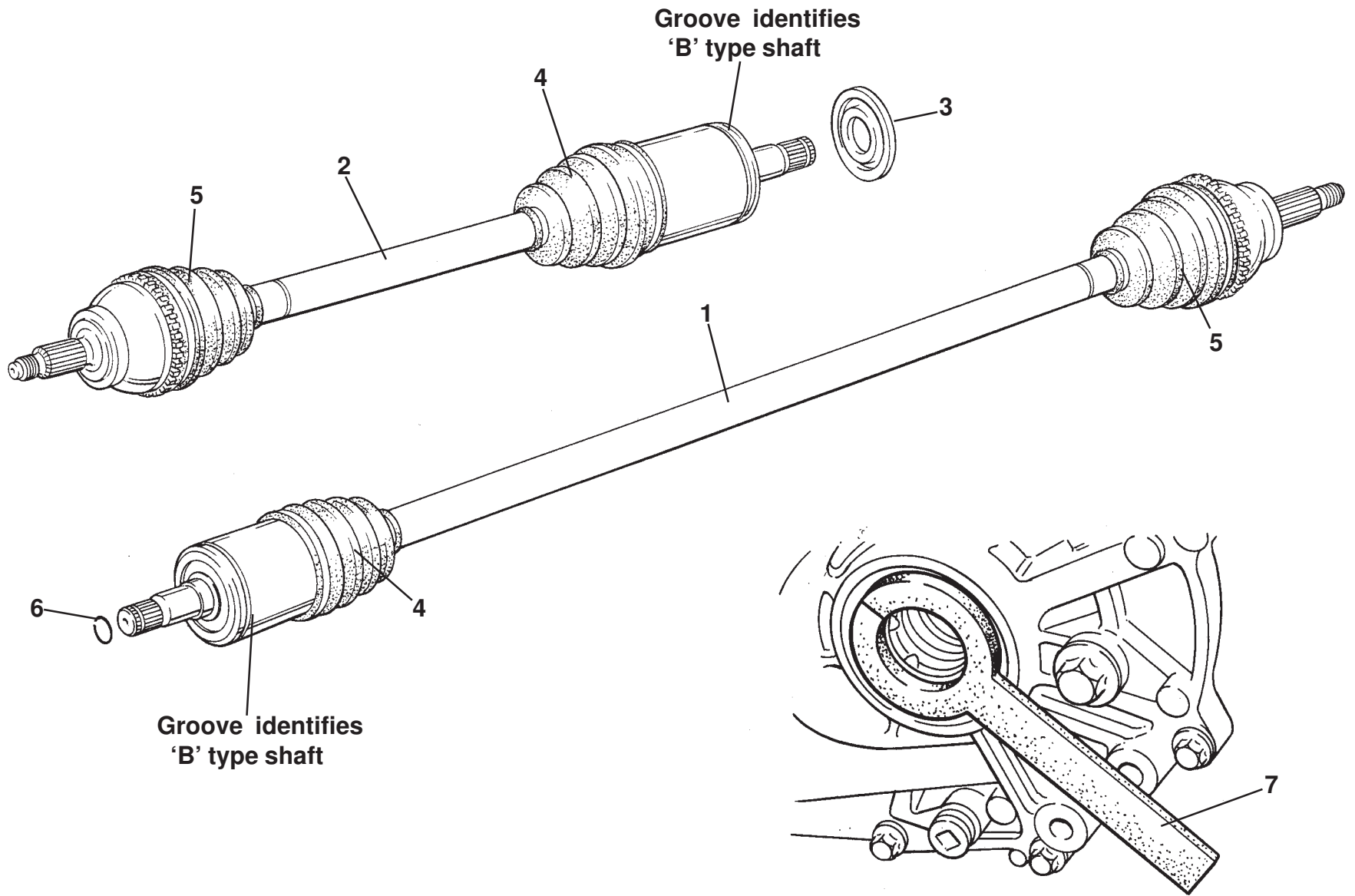
Function Code 47.11 Final Drive & Bearings

<u>Dep</u>	<u>Part Description</u>	<u>Remarks</u>	<u>Option</u>	<u>Part Number</u>	<u>Qty</u>
09d	Thrust Washer, planet gear, 0.90 mm			A111F6060S	1
09e	Thrust Washer, planet gear, 0.95 mm			A111F6061S	1
09f	Thrust Washer, planet gear, 1.00 mm			A111F6062S	1
09g	Thrust Washer, planet gear, 1.05 mm			A111F6063S	1
10	Thrust Washer, sun gear			A111F6064S	2
11	Speedo Drive Gear			A111F6042S	1

ELISE

Function Code: 47.11, Page: 2

Updated 2nd February 2015



ELISE
47.15

Function Code 47.15 Driveshafts & Seals

<u>Dep</u>	<u>Part Description</u>	<u>Remarks</u>	<u>Option</u>	<u>Part Number</u>	<u>Qty</u>
01	Drive Shaft, 'B' Type, RH	With groove on inner CV joint*	Trans. C6BP 2009713 on	A111D6008F	1
01a	Drive Shaft, 'A' Type, RH	Without groove on inner CV joint*	A111D6002F R/B	A111D6008F	1
02	Drive Shaft, 'B' Type, LH	With groove on inner CV joint*	Trans. C6BP 2009713 on	A111D6007F	1
02a	Drive Shaft, 'A' Type, LH	Without groove on inner CV joint*	A111D6003F R/B	A111D6007F	1
03	Oil Seal, drive shaft, LH, 'B' Type	For 'B' type shaft*	Trans. C6BP 2009713 on	A111F6029S	1
03a	Oil Seal, drive shaft, RH, 'B' Type	For 'B' type shaft*	Trans. C6BP 2009713 on	A111F6030S	1
03b	Oil Seal, drive shaft, LH, 'A' Type	For 'A' type shaft*	Prior trans. C6BP 2009713	A111F6022S	1
03c	Oil Seal, drive shaft, RH, 'A' Type	For 'A' type shaft*	Prior trans. C6BP 2009713	A111F6025S	1
04	Gaiter Kit, inboard CV joint	Including clips and grease		A111D6011S	2
05	Gaiter Kit, outboard CV joint	Including clips and grease		A111D6012S	2
06	Circlip. driveshaft retention in transmission			A100R6001F	2
07	Special Tool, seal protector	Used to insert driveshaft*		T000T1390F	1

*See Service Notes, Section F

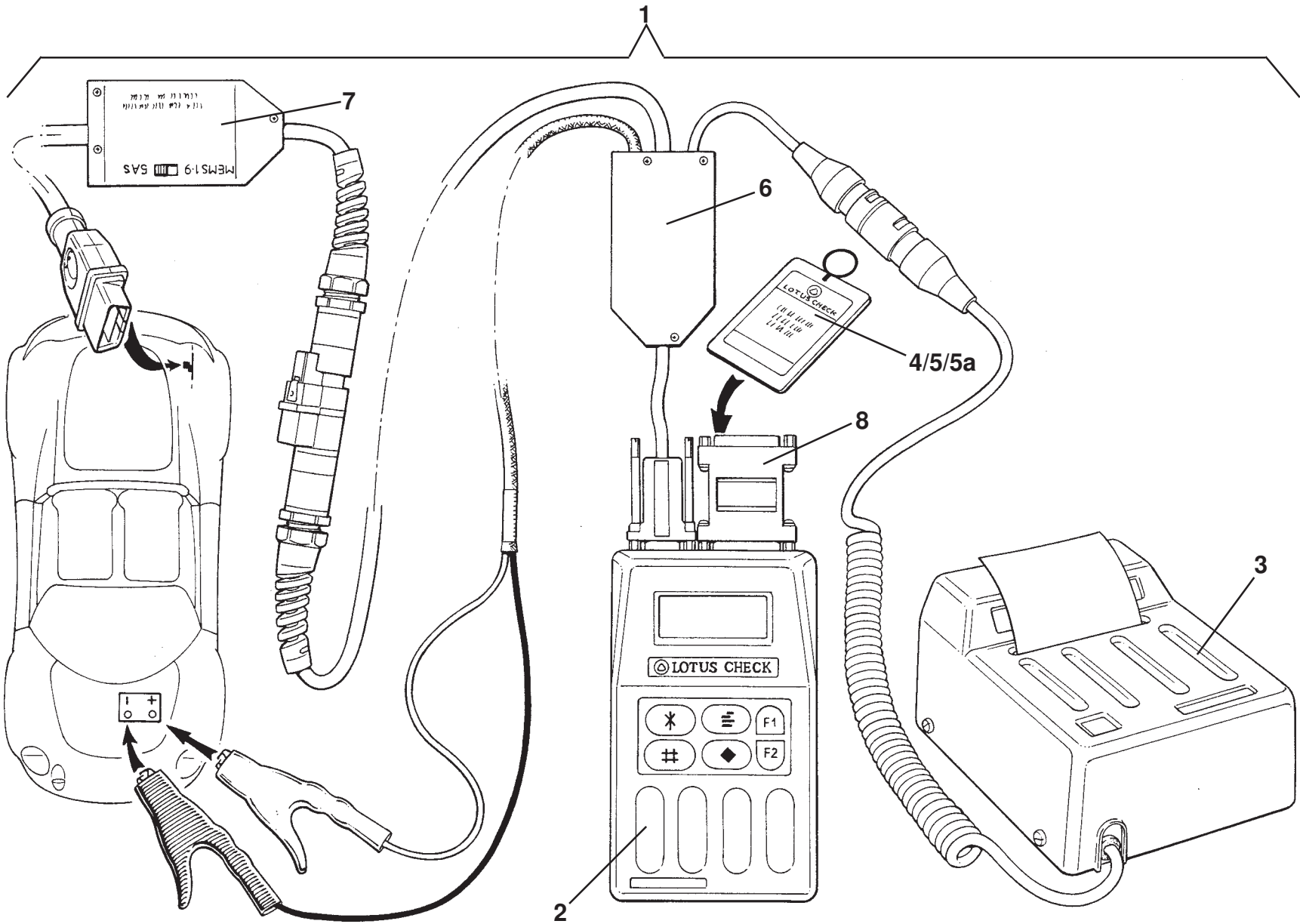
NOT ILLUSTRATED

Service Parts List *ELISE*



Function Code 60.01 Tool Kit

<u>Dep</u>	<u>Part Description</u>	<u>Remarks</u>	<u>Option</u>	<u>Part Number</u>	<u>Qty</u>
01	Tool Kit	Not illustrated		A111T0001J	1



ELISE
60.01a

Function Code 60.01a Diagnostic Equipment

<u>Dep</u>	<u>Part Description</u>	<u>Remarks</u>	<u>Option</u>	<u>Part Number</u>	<u>Qty</u>
01	Lotus Check Kit	Includes items: 2 to 11		T000T1346	1
02	Scanner Tool			T000T1347	1
03	Printer			T000T1348	1
04	Programme Card, (version 2), 5AS security			T000T1349/2	1
05	Programme Card, (version 2), Mems 1.9	For engine management	Standard	T000T1350/2	1
05a	Programme Card, Mems 2J	For engine management	111S	T000T1404	1
06	Power Harness			T000T1351	1
07	Adaptor Harness			T000T1352	1
08	Security Module, ('dongle')			T000T1355	1
09	Carry Case	Not illustrated		T000T1353	1
10	Literature Binder	Not illustrated		T000T1354	1
11	Introductory Literature	Not illustrated		T000T1356	1

NOT ILLUSTRATED

Function Code 60.02 Special Tools

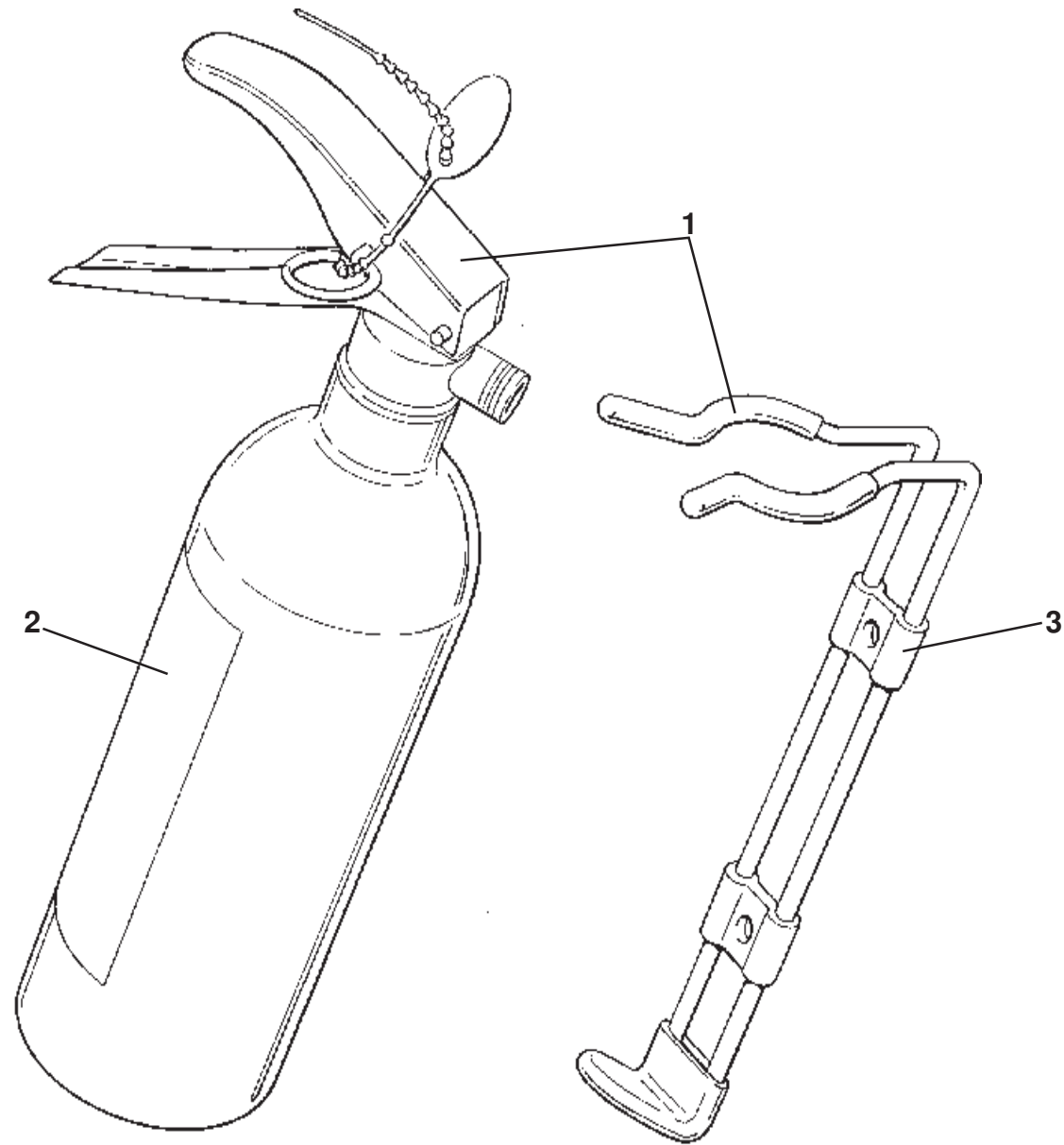
<u>Dep</u>	<u>Part Description</u>	<u>Remarks</u>	<u>Option</u>	<u>Part Number</u>	<u>Qty</u>
01	Flywheel Locking Tool	Transmission fitted		T000T1289F	1
02	Flywheel Locking Tool	Transmission removed		T000T1367F	1
03	Camshaft Locking Tool			T000T1282F	1
04	Crankshaft Rear Oil Seal Replacer			T000T1284F	1
05	Valve Stem Oil Seal Remover/Replacer			T000T1285F	1
06	Cylinder Liner Clamps			T000T1288F	1
07	Sump Alignment pins			T000T1290F	2
08	Torx E12 Cylinder Head Bolt Socket			T000T1366F	1
09	Crankshaft/Camshaft Front Oil Seal Replacer			T000T1266F	1
10	Camshaft Holding/Turning Tool			T000T1280F	1
11	Engine Lifting Brackets			T000T1283F	1
12	VVC Clamp Mechanism		111S	T000T1408F	2
13	VVC Timing Plate, front		111S	T000T1406F	1
14	VVC Timing Plate, rear		111S	T000T1407F	1
15	Driveshaft Removal Wedge	RH only		T000T1276F	1
16	Cylinder Liner Clamps			T000T1288F	1
17	Adaptor Plate, bearing puller			T000T1291F	1
18	Replacer Dolly, input shaft oil seal			T000T1293F	1
19	Slide Hammer, output shaft bearing remover			T000T1294F	1
20	Adaptor, output shaft bearing remover			T000T1295F	1
21	Driver Handle, bearing dolly			T000T1296F	1

ELISE

Function Code 60.02 Special Tools

<u>Dep</u>	<u>Part Description</u>	<u>Remarks</u>	<u>Option</u>	<u>Part Number</u>	<u>Qty</u>
22	Replacer Dolly, output shaft bearing			T000T1297F	1
23	Circlip Pliers, bearing access plug			T000T1298F	1
24	Thrust Pad, bearing puller			T000T1299F	1
25	Hex. Socket, M14, access plug			T000T1300F	1
26	Anti-Spread Plate, input/output shafts			T000T1301F	1
27	Replacer Dolly, differential bearings			T000T1302F	1
28	Replacer, clutch release shaft inner bush			T000T1303F	1
29	Replacer, clutch release shaft outer bush			T000T1304F	1
30	Clutch Alignment Mandrel			T000T1277F	1
31	Blanking Plug, driveshaft output			T000T1385F	1
32	Replacer Dolly, output seal, RH & 'A' type LH			T000T1388F	1
33	Replacer Dolly, output seal, 'B' type LH			T000T1389F	1
34	Seal Protector, output shaft seals	Also see 47.15		T000T1390F	1
35	Piston Retraction Tool, rear brake caliper	Also see 33.01		T000T1242F	1
36	Alternator Pulley Tool			T000T1287F	1

ELISE

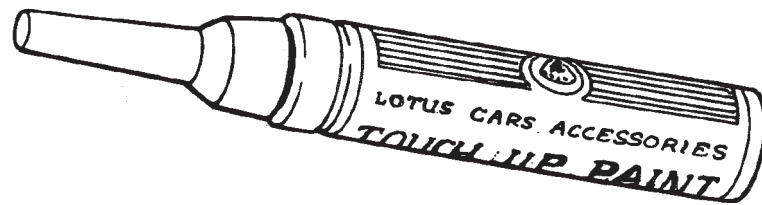


ELISE
60.03

Function Code 60.03 Fire Extinguisher, Gulf States

<u>Dep</u>	<u>Part Description</u>	<u>Remarks</u>	<u>Option</u>	<u>Part Number</u>	<u>Qty</u>
01	Fire Extinguisger Kit			A111T0002H	1
02	Fire Extinguisher			A111T6003H	1
03	Mounting Bracket			A111T6004H	1
04	Fixing screw, M6 x 20 pozi.	Not illustrated		A100W5147F	2
05	Rivnut, M6 flat hd.	Not illustrated		A111T6621F	2

ELISE



ELISE
80.20a

Function Code 80.20a Touch-in Paint Pencil Range

<u>Dep</u>	<u>Part Description</u>	<u>Remarks</u>	<u>Option</u>	<u>Part Number</u>	<u>Qty</u>
01	B01, Monaco White			A082B6294F	1
02	B02, Black			A082B6295F	1
03	B03, Calypso Red			D075B6264F	1
04	B04, British Racing .Green			D082B6146F	1
05	B05, Norfolk Mustard			A082B6296F	1
06	B06, Aqua Blue			A082B6309F	1
07	B07, Silk Red			B082B6310F	1
08	B08, Pacific Blue			D082B6173F	1
09	B09, Silver Frost			D082B6091F	1
10	B10, Steel Blue			A082B6311F	1
12	B12, Ibiza Blue			A082B6312F	1
13	B13, Black Metallic			A082B6313F	1
14	B14, Green Metallic			A082B6214F	1
15	B15, Pearl Silver			A082B6315F	1
16	B16, Empire Green Metallic			A082B6299F	1
17	B17, Mica Yellow			A082B6300F	1
18	B18, Medina Green			A082B6301F	1
19	B19, Palicio Purple Metallic			A082B6302F	1
20	B20, Azure Blue Metallic			A082B6303F	1
21	B21, Lotus Racing Green Metallic			A082B6304F	1
22	B22, Aluminium			A082B6305F	1

ELISE

Function Code 80.20a Touch-in Paint Pencil Range

<u>Dep</u>	<u>Part Description</u>	<u>Remarks</u>	<u>Option</u>	<u>Part Number</u>	<u>Qty</u>
23	B23, Ruby Red Metallic			A082B6306F	1
24	B24, Bronze			A082B6307F	1
25	B25, Chrome Orange			A082B6338F	1
26	B26, Saturn Silver			A082B6339F	1
27	B27, Electric Green			A082B6340F	1
28	B28, Deep Purple Metallic			A082B6341F	1
29	B29, Racing Green			A082B6342F	1
30	B30, Inferno			A082B6343F	1
31	B31, Pacific Green			A082B6344F	1
32	B32, Willow			A082B6379F	1
33	B33, Charcoal			A082B6345F	1
34	B34, Steel Blue			A082B6346F	1
35	B35, New Aluminium			A082B6350F	1
36	B36, Yellow			A082B6380F	1
37	B37, Anniversary Green Metallic		50th Anniversary cars	A082B6381F	1
38	B38, Quicksilver Metallic		Sport 135	A082B6382F	1
39	B39, Scandal Green		Sport 160	A120B6057F	1
42	B42, Midnight Metallic Blue			A082B6308F	1
46	B46, Bugatti Blue Metallic			A082B6335F	1
57	B57, Juarra Ivory Metallic			A082B6334F	1
61	B61, Nautilus Blue Metallic			A082B6347F	1

ELISE

Function Code 80.20a Touch-in Paint Pencil Range

<u>Dep</u>	<u>Part Description</u>	<u>Remarks</u>	<u>Option</u>	<u>Part Number</u>	<u>Qty</u>
62	B62, Titanium Metallic			A082B6348F	1
63	B63, Lotus Racing Yellow			A082B6349F	1
75	B75, Motorsport Green			A082B6397F	1
77	B77, Envy Green Mettalic			A082B6401F	1
78	B78, Atlantis Blue Pearl		Millenium cars	A111B6203F	1
81	B81, Black Metallic		Sport 160	A082B6398F	1
82	Gold	Wheels only	50th Anniversary Cars	A111B6176V	0.25 Ltr

ELISE