

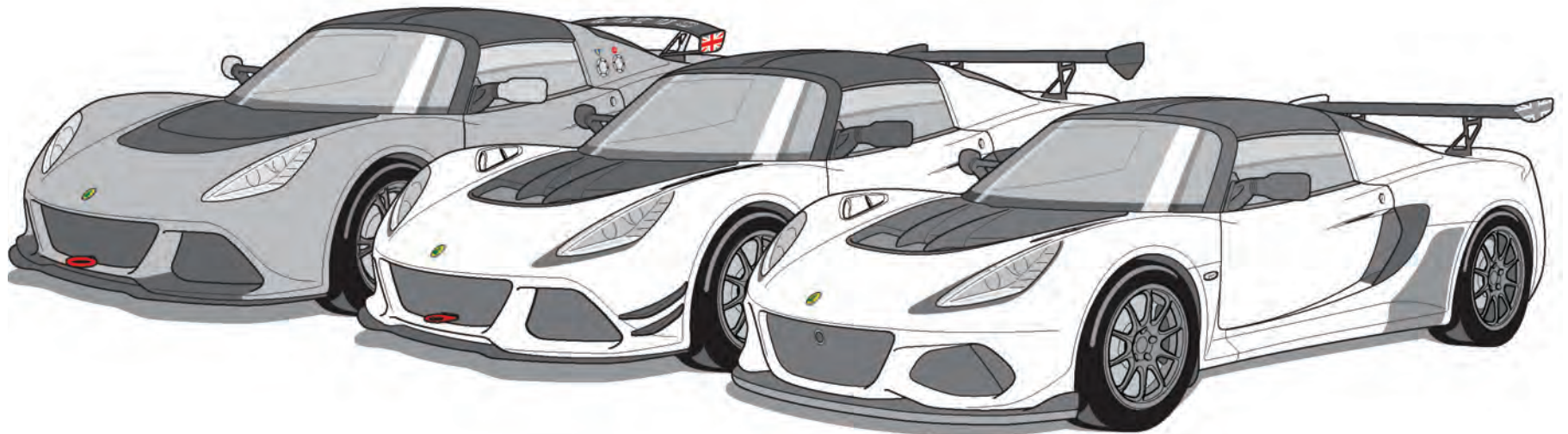


EXIGE V6 CUP SERVICE PARTS LIST

Includes post production parts for clarification contact Lotus Aftersales

For common components refer to Exige S V6 Parts List A138T0325J

For Exige V6 CUP R components contact Lotus Aftersales



EXIGE
V6 CUP **360 CUP** **380 CUP** **430 CUP**

Technical Publications., Lotus Cars Ltd, Hethel, Norwich, Norfolk, NR14 8EZ. England.

Tel: +44 (0)1953 608000 www.lotuscars.com

© Lotus Cars 2013

A702T0325J

Updated 4th May 2021



For function groups in grey refer to Exige SPARTS List A138T0325J

10.00 Body

- 10.01 Body: Front & Rear Clamshells & Fixings
- 10.02 Body: Bodysides, Windscreen Frame & Rear Bulkhead
- 10.04 Crash Structures
- 10.09 Front Services Access Panels
- 10.11 Tailgate & Release Mechanism
- 10.13 Engine Compartment, Cover, Latch Mechanism
- 10.15 Door Shells, Beams, Hinges
- 10.17 Door Latch Mechanism
- 10.23 Bumpers, Valences Spoilers & Aerofoils
- 10.25 Undertray & Di user
- 10.31 Towing Strut/ Hook

11.00 Glazing and Seals

- 11.01 Windscreen, Door Glass, Seals & Weather Strips
- 11.02 Door Window Lift Mechanism

12.00 Exterior Fittings

- 12.01 Wheelarch Liners
- 12.02 Soft Top Roof, Cant Rails, Roof Bows
- 12.03 Grilles and Louvres
- 12.04 Roof Panel, Seals & Fixings
- 12.05 Decals, Badges & Protective Film
- 12.07 Licence Plate Mountings
- 12.09 Exterior Driving Mirrors

13.00 Seats & Seat Belts

- 13.01 Seat Runners
- 13.02 Seat Assemblies, front
- 13.27 Seat Belts, front

14.00 Pedal Box & Fascia

- 14.01 Pedal Box, Pedals, Throttle Control
- 14.03 Footrests
- 14.05 Fascia Structure & Supporting Hardware
- 14.10 Instrument Cowling/Binnacle

15.00 Interior Trim

- 15.05 Interior Driving Mirror & Sunvisors
- 15.11 Interior Trim & Stowage Provision
- 15.13 Front Door Trims
- 15.18 Interior Trim, Chassis Trim Panels
- 15.19 Centre Tunnel Trim, Gear Lever Gaiters/Shrouds
- 15.20 Centre Tunnel Trim, Gear Lever Gaiters/Shrouds, Auto
- 15.24 Luggage Compartment Carpet
- 15.30 Carpeting & Mats

16.00 Sound Insulation

- 16.01 Passenger Compartment Sound Insulation

17.00 Electrical

- 17.01 Harnesses, Leads
- 17.03 Horn, Inertia Switch, Modules, Fuses & Relays
- 17.04 Paddle Shift Controls & Switches
- 17.05 Interior Switches, Auxiliary Power Socket
- 17.06 Engine Management & Sensors
- 17.07 Instruments, Tell Tales, & Displays
- 17.09 Transmission Management & Sensors
- 17.11 Exterior Lamps, Except Headlamps
- 17.13 Headlamps
- 17.17 Interior Lamps
- 17.21 Windscreen Wiper Motor, Wipers & Washers



For function groups in grey refer to Exige SPARTS List A138T0325J

- 17.27 In Car Entertainment
- 17.31 Battery, Clamps & Cables
- 17.32 Lithium Battery, Clamps & Cables
- 17.33b Security Alarm System, PFK, Parking Sensors & Camera
- 17.33c Security Alarm System, Gemini, Parking Sensors & Camera
- 17.35 Other Electrical, SIR: Inflator Modules, DERM & Sensors

18.00 Heating, Ventilation, Air Conditioning

- 18.01 Heater/ Air Conditioning Assemblies, Housings
- 18.03 AC Components, Pipes, Hoses
- 18.04 AC Components, Pipes, Hoses
- 18.05 Heater, Pipes, Hoses
- 18.07a AC Interior Blower Motor
- 18.09a AC/Heater Driver Operated Controls
- 18.12 AC/Heater Air Distribution Plenum
- 18.13 Air Trunking, Ducts & Ventilators
- 18.14 AC Air Recirculation System
- 18.15 Auxillary AC Unit

19.00 Labels & Literature

- 19.01 Labels, Certificates, Literature etc.
- 19.03 Owner's Handbooks & Service Notes Manuals

30.00 Chassis

- 30.01 Chassis, Subframes
- 30.02 Seat Belt Mounting Frames, Stays

31.00 Suspension

- 31.01 Front Suspension, Incl. Hubs
- 31.03 Rear Suspension, Incl. Hubs

32.00 Steering

- 32.01 Rack & Pinion, & Lower Column
- 32.05 Upper Column, Steering Wheel

33.00 Brakes

- 33.01 Brake Discs, Calipers, & Parking Brake Assembly
- 33.03 Master Cylinder, Servo, ABS Controller, Pipes & Hoses
- 33.05 Parking Brake Mechanism

34.00 Wheels & Tyres

- 34.01 Wheels, Tyres & Valves

40.00 Engine

- 40.00 Engine Assemblies
- 40.01 Engine Block & Oil Pick Up
- 40.01a Engine Mounts
- 40.02 Gaskets & Sealants, Top Overhaul Set
- 40.02a Gaskets & Sealants, Bottom Overhaul Set
- 40.03 Sump Assembly
- 40.05 Cylinder Head, Valves, Springs
- 40.07 Camshafts, Tappets, Cam Cover
- 40.08 Camshaft Drive Chain & Sprockets
- 40.09 Pistons, Con-rods, Liners
- 40.11 Crankshaft, Bearings, Flywheel
- 40.13 Water Pump Assembly, Thermostat
- 40.15 Lubrication System
- 40.17 Ignition System, Spark plugs & Plug Top Coils
- 40.19 Alternator and Starter Motor
- 40.21 Exhaust Manifold
- 40.23 AC Compressor

41.00 Belts and Pulleys

- 41.03 Auxiliary Drive Belts & Pulleys



For function groups in grey refer to Exige SPARTS List A138T0325J

42.00 Induction Systems

- 42.01 Airboxes, Trunking & Air Filters
- 42.04 Throttle Body, Mechanism & IAC Valve
- 42.05 Fuel Injection System
- 42.07 Inlet Manifold, Plenum & Gaskets
- 42.10 Supercharger

43.00 Emission Equipment

- 43.03 Vacuum System, Hoses, Pipes & Fittings

44.00 Fuel System

- 44.01 Fuel Tanks, Filler
- 44.03 Fuel Pump; Filter, Pipes
- 44.05 Charcoal Canister & Evaporative Loss System.

45.00 Exhaust

- 45.01 Exhaust System
- 45.05 Heatshields

46.00 Cooling

- 46.01 Engine Cooling System & Fan
- 46.02 Engine Cooling System
- 46.03 Oil Cooler/Heat Exchanger & Pipes
- 46.04 Front Ducts
- 46.07 Single Oil Cooler System Engine
- 46.08 Single Oil Cooler System Auto Transmission
- 46.09 Oil Cooler System Manual Transmission
- 46.11 Chargecooler, Pipes & Hoses

47.00 Transmission

- 47.01 Clutch & Release Mechanism
- 47.02 Automatic Transmission

- 47.03 Transmission Assembly
- 47.04 Gearchange Mechanism, Auto
- 47.05 Gearchange Mechanism, External
- 47.05b Gearchange Mechanism, External, Exposed Gearshift
- 47.06 Gear Selector Mechanism, Internal
- 47.07 Gears, Shafts & Bearings
- 47.08 Torque Converter
- 47.11 Final Drive & Bearings
- 47.15 Driveshafts & Seals

60.00 Special tools

- 60.01 Tool Kit
- 60.01a Diagnostic Equipment
- 60.02 Special Tools

60.03 Fire Extinguisher

80.00 Bulk Items

- 80.20a Touch-in Paint Pencil Range

FOREWORD

This publication has been designed for use by Lotus Dealers, and may be updated periodically by the issuing of update packages to the dealer network. Lotus policy is one of continuous product improvement and the right is reserved to alter specifications at any time without prior notice.

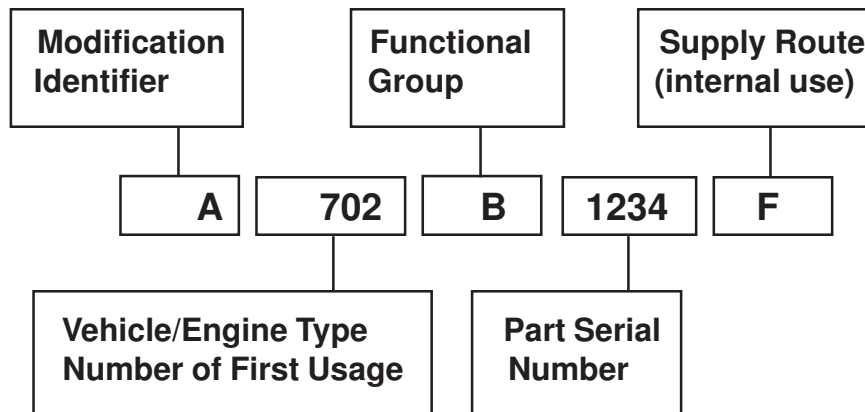
Whilst every care has been taken to ensure correctness of information, it is impossible to guarantee complete freedom from omissions and errors, or to accept liability arising from such errors or omissions, but nothing herein contained shall affect your statutory rights.

USE OF THE PARTS LIST

This parts list covers the Exige V6 cup range, 2013 model year onwards. The manual is arranged in function groups, as defined by the Contents page, and may sometimes use several versions of the same function group to accommodate model variations - take care to establish the full vehicle specification in order to properly identify the applicable parts list section.

PART NUMBERS

Part numbers used in this publication are in the format as follows:



Modification Identifier: This letter identifies a version or modification of the part. Part numbers with different prefix letters may or may not be interchangeable - refer to the remarks and option columns.

Vehicle/Engine Type Number: The type number indicates either the model or engine type on which the part was first used.

026, 036, 045, 500....Elan	082....Esprit Turbo	111....Elise	122....Exige 2	131....Elise S (1ZZ)	907....4 cyl. 2.0 NA
050....Elan+2	083....Elite S2	340....340R	123....Exige USA	132....Evora	910....4 cyl. 2.2 turbo
046, 054, 065, 074....Europa	084....Eclat S2	117....Elise 2 (Rover)	124....Europa 2006	138....Exige V6	912....4 cyl. 2.2 NA
075....Elite S1	085....Esprit S3	117....Elise 2001 MY	127....2-Eleven	702....Exige V6 Cup	920....4 cyl. 2.0 turbo
076....Eclat S1	089....Excel	120....Elise111R	128....Exige S (euro)	704....Elise Cup	918....V8 3.5 turbo
079....Esprit S1/S2/S2.2	100....Elan 1990	121....Elise USA	129....Exige S (fed)	708....3 Eleven	

Functional Group: A single letter indicating the functional area of the parts first use

A = Chassis

B = Body

C = Front Suspension

D = Rear Suspension

E = Engine

F = Transmission

G = Wheels & Tyres

H = Steering

J = Brakes

K = Cooling

L = Fuel System

M = Electrics

P = Heater & AC

Q = Clutch

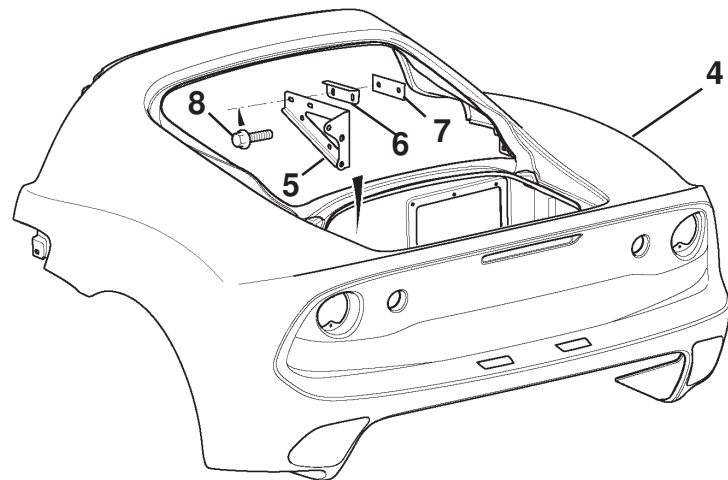
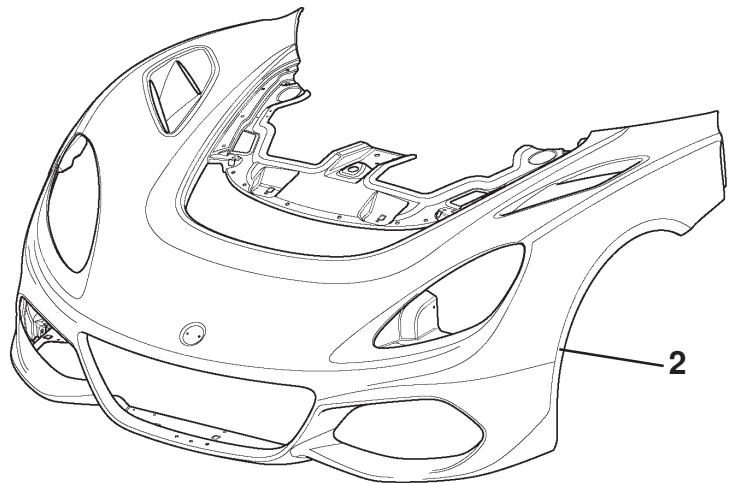
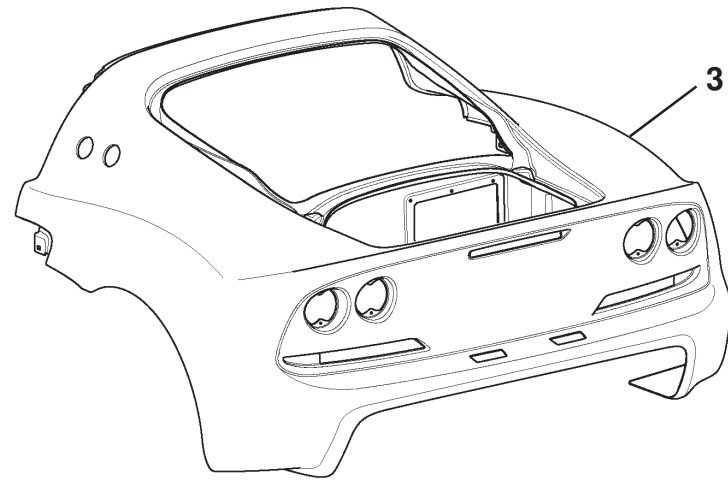
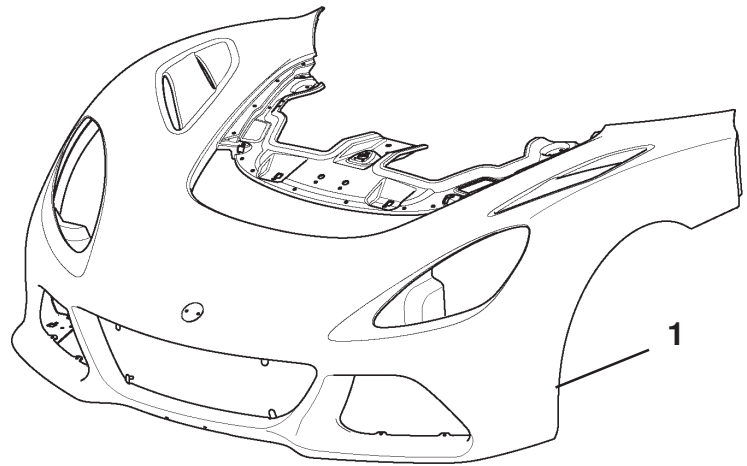
R = Final Drive

S = Exhaust

U = Hard Trim

V = Soft Trim

W = Standard Fixings



For common components refer to Exige S parts list A138T0325J

EXIGE *CUP*

10.01

Updated 4th June 2018

Service Parts List

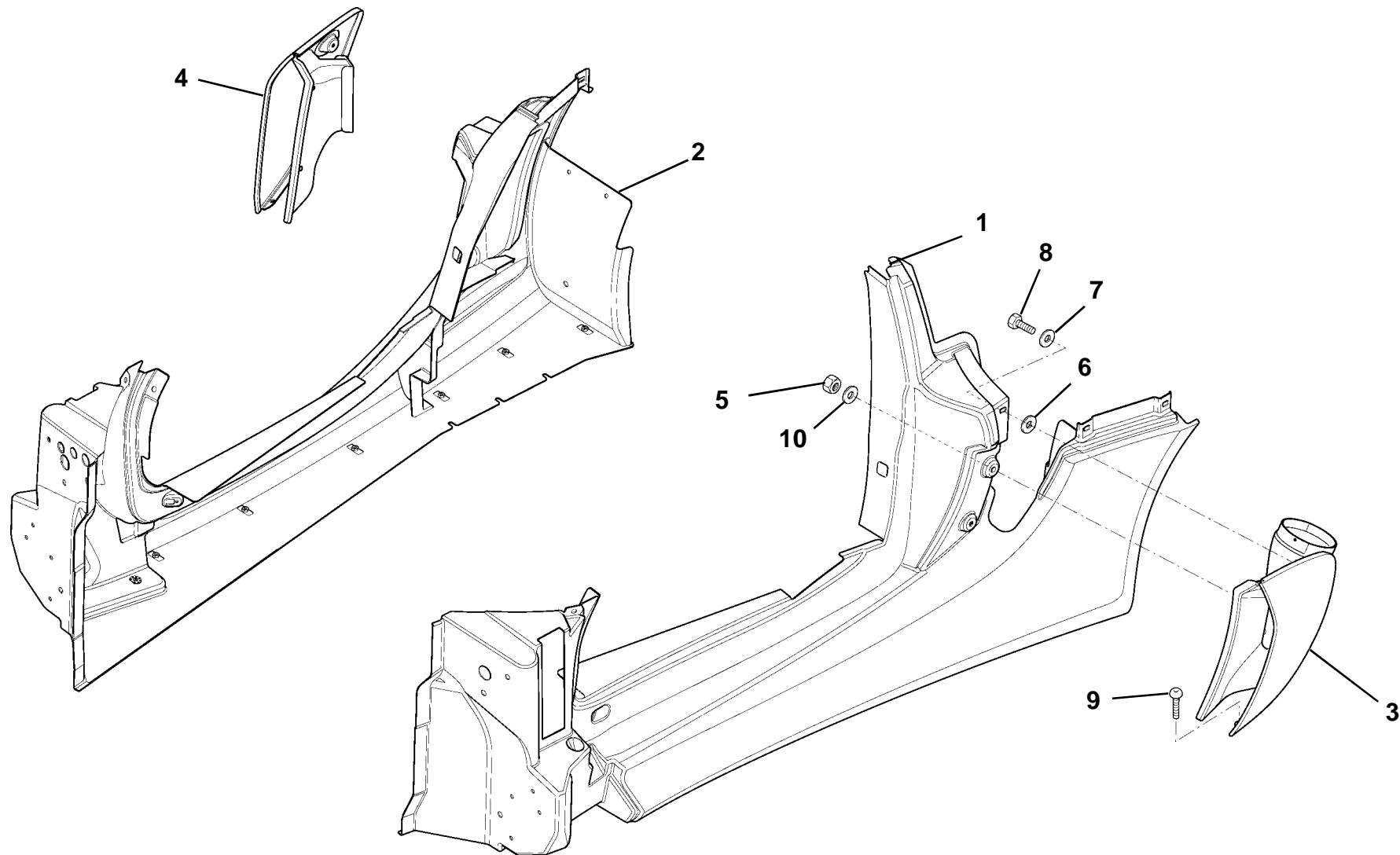


Function Code 10.01 Body: Front & Rear Clamshells & Fixings

<u>Dep</u>	<u>Part Description</u>	<u>Remarks</u>	<u>Option</u>	<u>Part Number</u>	<u>Qty</u>
01	Front Clamshell Assembly Primed	Vents on wheel arch	Cup 380	A138B0661K	1
02	Front Clamshell Assembly Primed	Vents on wheel arch	Cup 430	A138B0730K	1
03	Rear Clamshell Assembly Primed	Holes for kill switches		A702B0004K	1
04	Rear Clamshell Assembly Primed		Cup 380	A138B0696K	1
04a	Rear Clamshell Assembly Primed	Holes for both kill switches	Cup 380		1
04b	Rear Clamshell Assembly Primed	Front hole only for kill switch	Cup 380		1
04c	Rear Clamshell Assembly Primed		Cup 430	A138B0743K	1
04d	Rear Clamshell Assembly Primed	Holes for both kill switches	Cup 430		1
04e	Rear Clamshell Assembly Primed	Front hole only for kill switch	Cup 430		1
05	Bracket Rear Wing Reinforcement, LH		Cup 380/430	A138B4479G	1
05a	Bracket Rear Wing Reinforcement, RH		Cup 380/430	A138B4480G	1
06	Bracket Rear Wing Support		Cup 380/430	B138B0687G	2
07	Nut Plate			A124B0184F	2
08	Screw M6 x 16, hex flg hd			A132W5003F	4

Note: For common components
refer to Exige S parts list
A138T0325J





For common components refer to Exige S parts list A138T0325J

EXIGE *CUP*

10.02

Updated 4th February 2019

Service Parts List

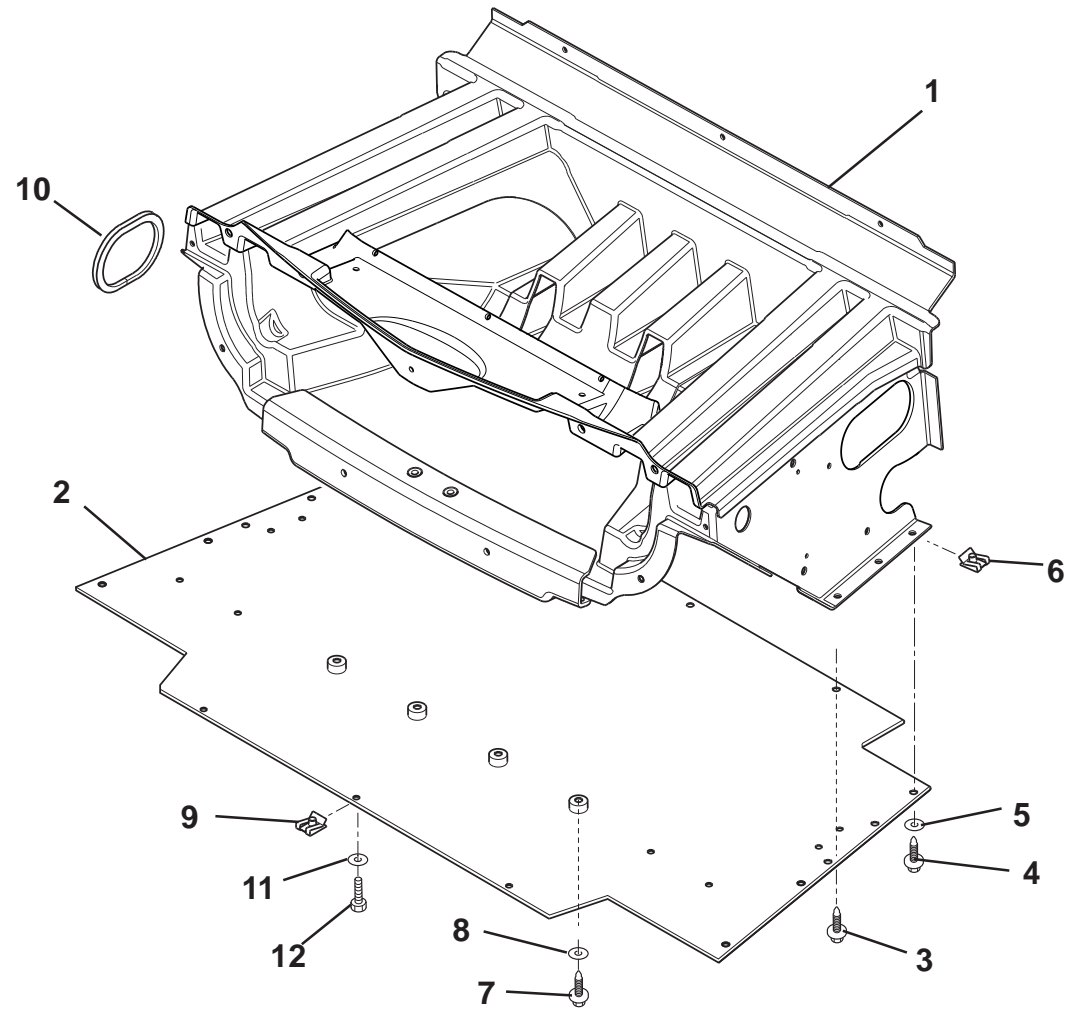


Function Code 10.02 Body: Bodysides, Windscreen Frame & Rear Bulkhead

<u>Dep</u>	<u>Part Description</u>	<u>Remarks</u>	<u>Option</u>	<u>Part Number</u>	<u>Qty</u>
01	Bodyside Assembly, primed LH	Cars with barge boards	Cup 380/430	B138B4521J	1
01a	Bodyside Assembly, primed LH		Cup 430	A138B4547K	1
02	Bodyside Assembly, primed RH	Cars with barge boards	Cup 380/430	B138B4522J	1
02a	Bodyside Assembly, primed RH		Cup 430	A138B4548K	1
02b	Bodyside Assembly, primed RH		Cup 430 Gulf States	A138B0773K	1
03	Side Pod Assembly, carbon LH		Cup 380/430	A138B4501F	1
04	Side Pod Assembly, carbon RH		Cup 380/430	A138B4502F	1
05	Nut Nyloc M5			A075W3008Z	4
06	Washer Anti Loss M6 x 17 x 1.6			A132W4005F	2
07	Washer M6 x 18 x 1.6 s/s blk			A126W4213F	2
08	Screw M6 x 16 hex hd			A075W1028Z	2
09	Screw M6 x 12 bth skt hd			A126W7226F	4
10	Washer M5 x 19 x 1.4 s/s blk			A082W4107F	4

Note: For common components
refer to Exige S parts list
A138T0325J





For common components refer to Exige S parts list A138T0325J

EXIGE *CUP*

10.04

Updated 30th July 2018

Service Parts List

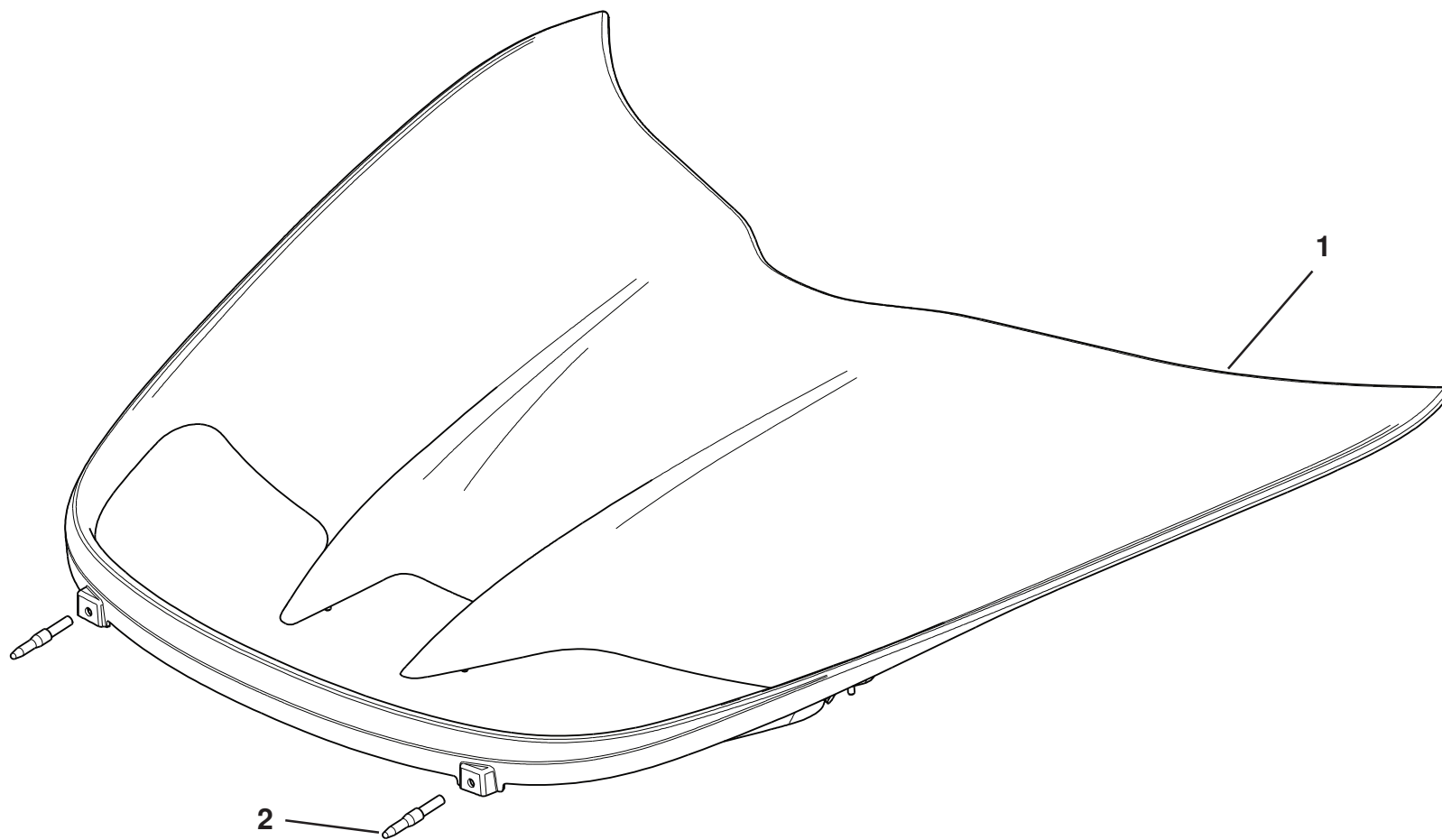


Function Code 10.04 Crash Structures

<u>Dep</u>	<u>Part Description</u>	<u>Remarks</u>	<u>Option</u>	<u>Part Number</u>	<u>Qty</u>
01	Front Crash Structure Assembly			A138B0058K	1
02	Panel Assembly, front undershield		Cup 430	A138U0204F	1
03	Screw M6 x 12 hex flg hd			A111E6007F	3
04	Screw M5 x 16 hex flg hd			A132W5016F	4
05	Washer M5 x 18 x 1.5			B075W4009Z	4
06	Speed Nut M5			B100W6372F	6
07	Setscrew M6 x 25 hex flg hd			A132W5014F	4
08	Washer M6 x 20 x 2.5			A075W4016Z	4
09	Speed Nut M5			B100W6372F	5
10	Edge Finisher			A111U6034V	275mm
11	Washer Flat 3/16 x 3/4 x 16g s/s			B075W4009Z	5
12	Screw M5 x18 skt hd flg			A138W5001F	5

Note: For common components
refer to Exige S parts list
A138T0325J





For common components refer to Exige S parts list A138T0325J

EXIGE *CUP*

10.09

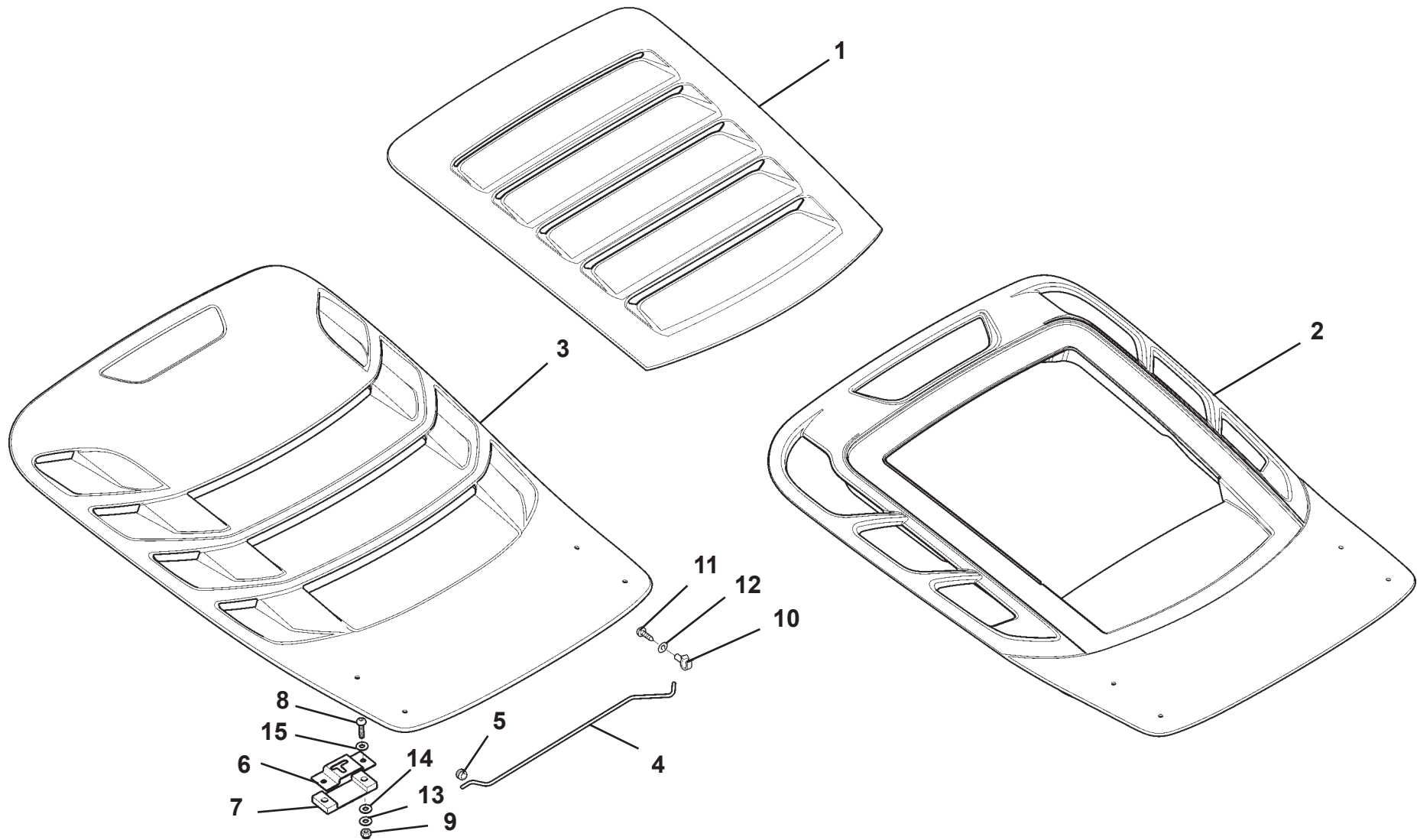
Service Parts List



Function Code 10.09 Front Services Access Panels

<u>Dep</u>	<u>Part Description</u>	<u>Remarks</u>	<u>Option</u>	<u>Part Number</u>	<u>Qty</u>
01	Front Access Panel		Cup 360	A702B0007F	1
01a	Front Access Panel, carbon		Cup 380/430	A138B0590F	1
02	Pin, front access panel			A138B0407F	2

Note: For common components
refer to Exige S parts list
A138T0325J



For common components refer to Exige S parts list A138T0325J

EXIGE *CUP*

10.11

Updated 1st December 2020

Service Parts List

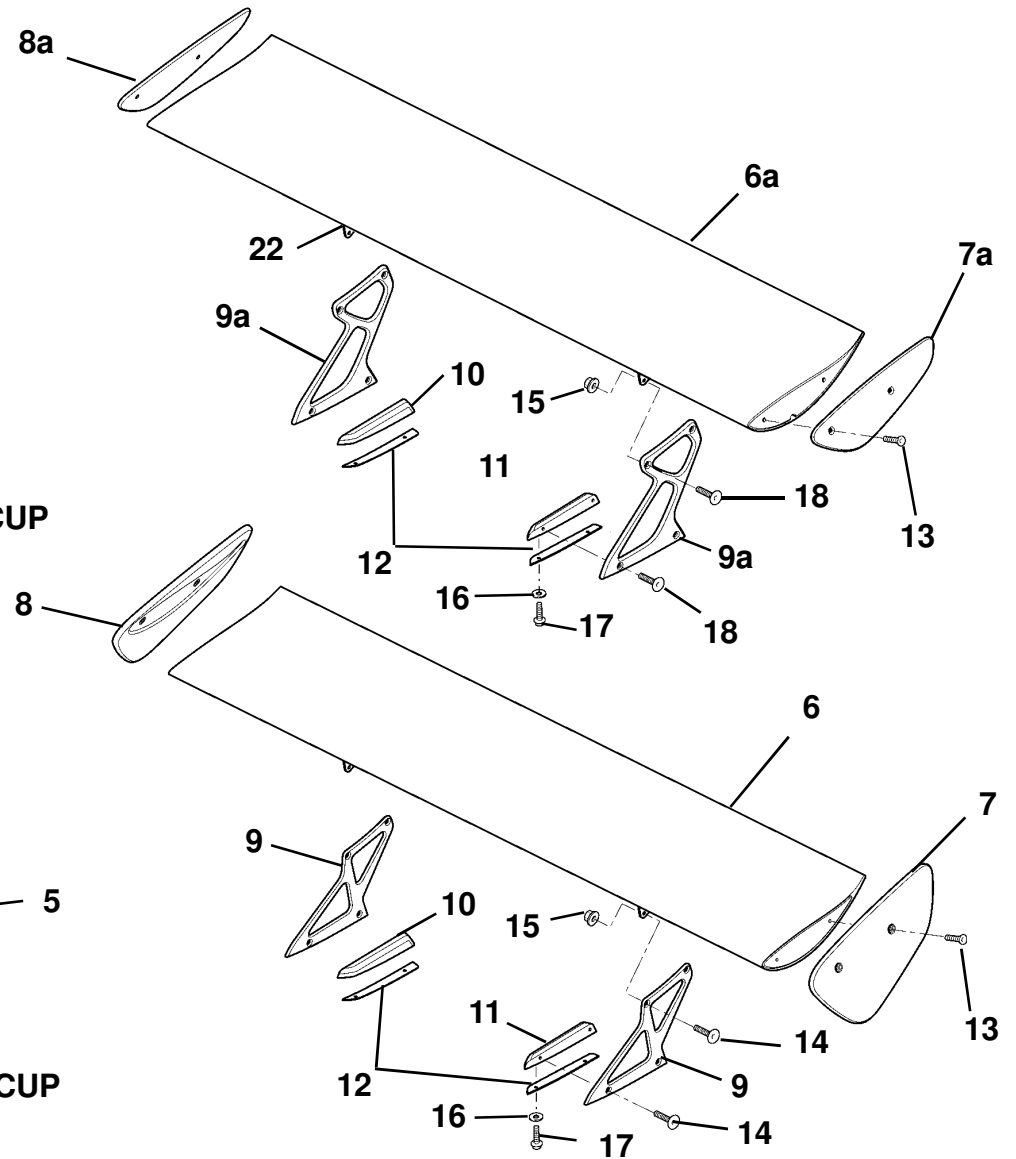
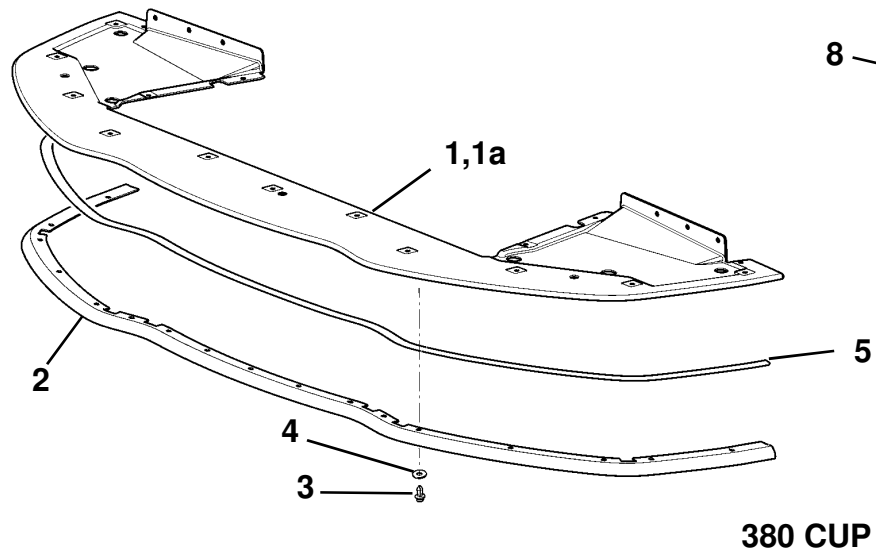
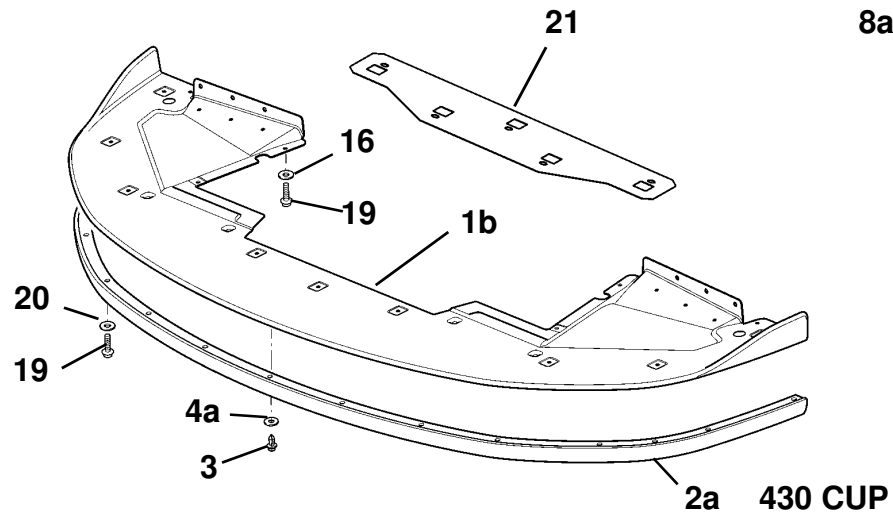


Function Code 10.11 Tailgate & Release Mechanism

<u>Dep</u>	<u>Part Description</u>	<u>Remarks</u>	<u>Option</u>	<u>Part Number</u>	<u>Qty</u>
01	Tailgate Louvre Panel, primed			A138B0571J	1
02	Tailgate Assembly	Excluding grille	Cup 360	A702B0010F	1
03	Tailgate Assembly, carbon	Excluding grille	Cup 380/430	A138B0670F	1
04	Stay		Cup 380/430	A120B0373F	1
05	Grommet			X036B6010Z	1
06	Retainer, stay			C128U0034F	1
07	Spacer, retainer			A138U0174F	1
08	Screw M6 x 25, skt btn hd			A075W7016F	2
09	Nut Nyloc M6			A075W3009Z	2
10	Swivel Clip			A082W6325F	1
11	Screw No.8 x 3/8 pan pozi			A082W5187F	1
12	Washer Flat 3/16 x 1/2 x 17g			A075W4063Z	1
13	Washer M6 x 18 x 1			B082W4018F	2
14	Washer Neopren M5 x 16.6 x 1.6			A082W4115F	2
15	Washer M6 x 15 x 1.5 s/s black			A082W4133F	2

Note: For common components
refer to Exige S parts list
A138T0325J





For common components refer to Exige S parts list A138T0325J

EXIGE *CUP*

10.23

Updated 5th October 2020

Service Parts List



Function Code 10.23 Bumpers, Valences Spoilers & Aerofoils

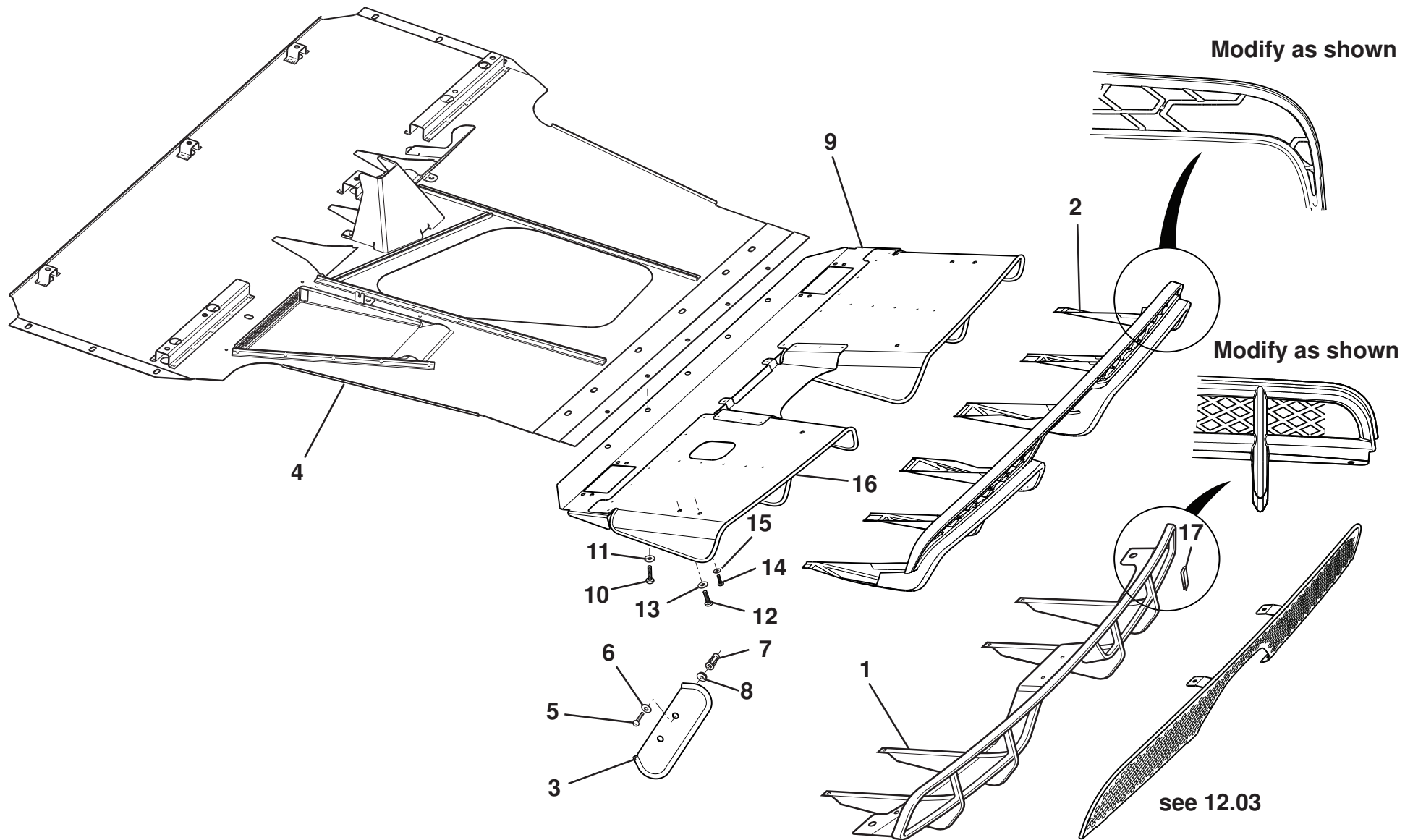
<u>Dep</u>	<u>Part Description</u>	<u>Remarks</u>	<u>Option</u>	<u>Part Number</u>	<u>Qty</u>
01	Splitter Front flexible		Exige S Cup & 360 Cup	A138B0214F	1
01a	Front Splitter, carbon		Cup 380	C138B0599F	1
01b	Front Splitter, carbon		Cup 430	B138U0184F	1
02	Lip Seal, front splitter		Cup 380	A138U0176K	1
02a	Lip Seal, front splitter		Cup 430	A138U0246K	1
03	Scrivet			A100W6391F	17
04	Spacer		Cup 380	A708A0110F	17
04a	Spacer		Cup 430	A079W4019F	1
05	Adhesive Tape			A132U6138V	2.2M
06	Rear Wing Assembly		Cup 380	A138B0683F	1
06a	Rear Wing Assembly		Cup 430	B138B0736J	1
07	End Plate LH, rear wing		Cup 380	A138B4475F	1
07a	End Plate LH, rear wing	316mm long	Cup 430	A138B4553F	1
08	End Plate RH, rear wing		Cup 380	A138B4476F	1
08a	End Plate RH, rear wing	316mm long	Cup 430	A138B4554F	1
09	Upright Rear Wing		Cup 380	A138B0678F	2
09a	Upright Rear Wing		Cup 430	A138B0752F	2
10	Bracket, upright base rear wing LH		Cup 380/430	A138B4471F	1



Function Code 10.23 Bumpers, Valences Spoilers & Aerofoils

<u>Dep</u>	<u>Part Description</u>	<u>Remarks</u>	<u>Option</u>	<u>Part Number</u>	<u>Qty</u>
11	Bracket, upright base rear wing RH		Cup 380/430	A138B4472F	1
12	Gasket, rear wing		Cup 380/430	A138U0163F	2
13	Screw M5 x 25, csk skt hd			A121W7214F	4
14	Screw M6 x 16, csk skt hd			A918W7120F	8
15	Nut Dome M6 s/s blk			A132W3020F	4
16	Washer M6 x 18 x 1.6 s/s blk			A126W4213F	8
17	Bolt M6 x 14, hex flg hd			A116W5233F	4
18	Screw M6 x 18, skt hd csk			A138W7001F	8
19	Screw M5 x 18, skt btn flg hd			A138W5001F	17
20	Washer Flat 3/16 x 3/4 x 16 s/s			B075W4009Z	4
21	Support Plate, front splitter		Cup 430	A138B0795F	1
22	Rivet, rear wing brackets			A138W2017F	8

Note: For common components
refer to Exige S parts list
A138T0325J



For common components refer to Exige S parts list A138T0325J

EXIGE *CUP*

10.25

Service Parts List



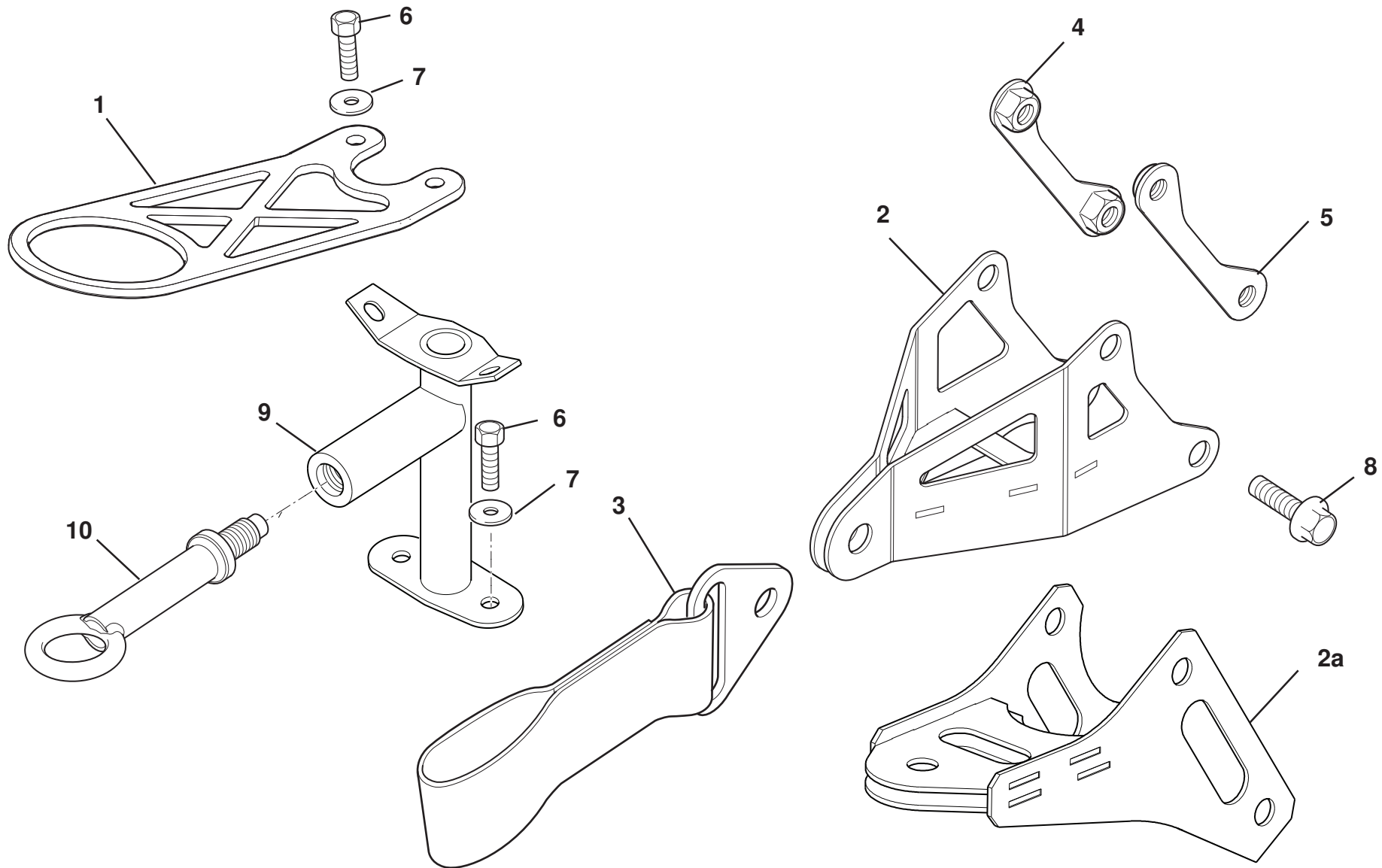
Function Code 10.25 Undertray & Diffuser

<u>Dep</u>	<u>Part Description</u>	<u>Remarks</u>	<u>Option</u>	<u>Part Number</u>	<u>Qty</u>
01	Diffuser Grille Surround Assembly	Modify as shown		A132U0626F	1
02	Diffuser Grille Surround Assembly	Modify as shown	Cup 380	A132U1106F	1
03	Heat Deflector Assembly, rear grille surround		Cup 380	A138U0181F	2
04	Rear Undertray Assembly		Cup 430	A138U0221J	1
05	Screw M6 x 20 skt btn hd			A100W7096F	4
06	Washer M6 x 15 x 1.5 s/s blk			A082W4133F	8
07	Jack Nut M6			A075W3031Z	4
08	Washer			A117W4192K	4
09	Rear Diffuser Assembly		Cup 430	B138U0212F	1
10	Screw M5 x 16 btn hd			A111W7156F	5
11	Washer Flat M5 x 25 x 1.4			A082W4098F	5
12	Screw M8 x 20 skt btn hd			A075W7022Z	2
13	Washer M8 x 21 x 1.6			A111W4159F	2
14	Screw M6 x 16 skt btn hd			A122W5282F	4
15	Washer M6 x 15 x 1.5			A082W4133F	4
16	Rubber Edge Protector	3.220M		A122A0029V	3.220M
17	Rubber Edge Protector			A117B6010V	3.220M



Function Code 10.25 Undertray & Diffuser

<u>Dep</u>	<u>Part Description</u>	<u>Remarks</u>	<u>Option</u>	<u>Part Number</u>	<u>Qty</u>
		Note: For common components refer to Exige S parts list A138T0325J			



EXIGE *CUP*

10.31

Updated 2nd January 2018

Service Parts List

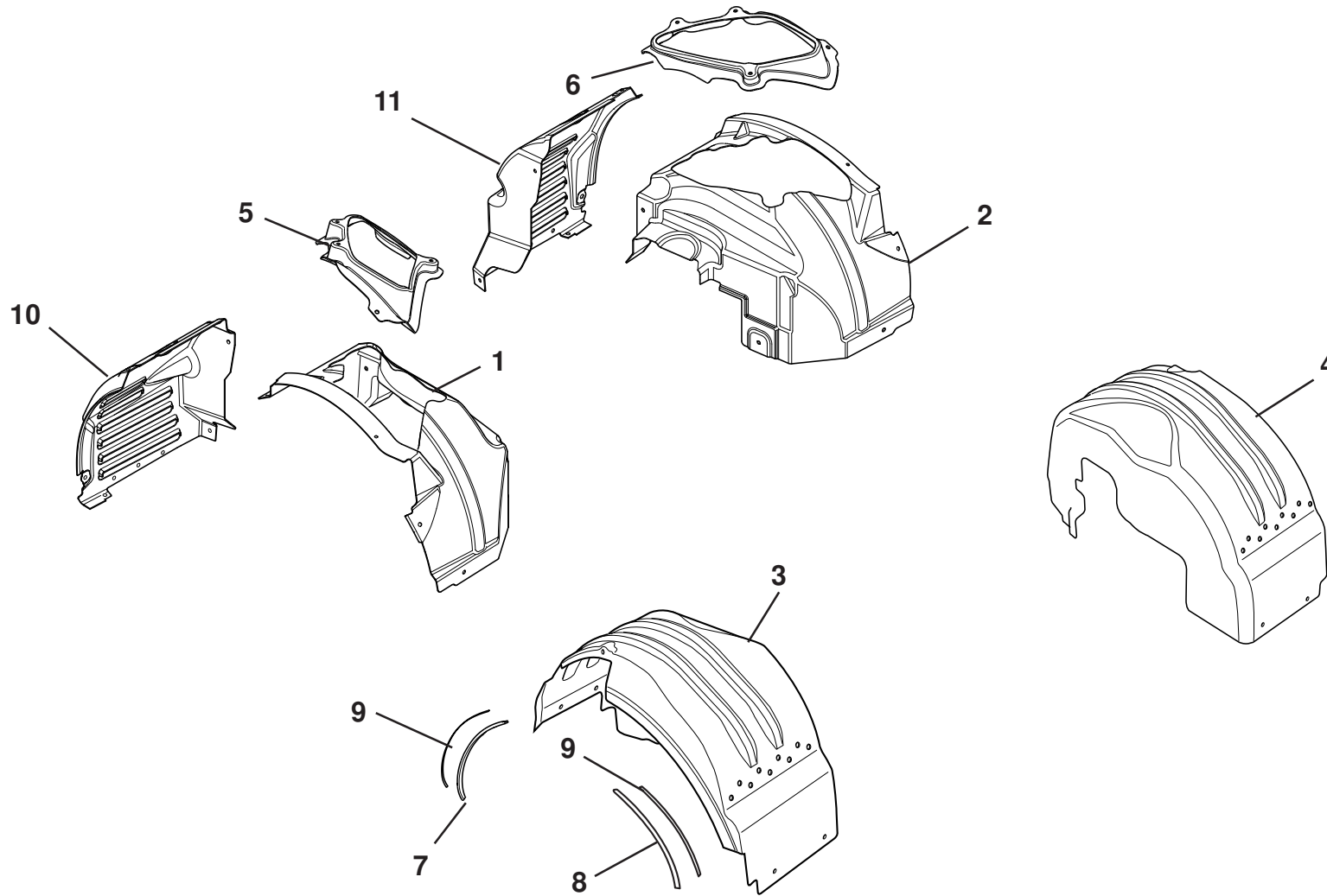


Function Code 10.31 Towing Strut/ Hook

<u>Dep</u>	<u>Part Description</u>	<u>Remarks</u>	<u>Option</u>	<u>Part Number</u>	<u>Qty</u>
01	Assembly Towing Front			A702A0001F	1
02	Assembly Towing Bracket Rear			A702A0002F	1
02a	Assembly Towing Bracket Rear		Cup 380/430	A138A0505F	1
03	Towing Eye Strap			A702A6000F	1
04	Nut Plate, rear towing eye LH			A702A4001F	1
05	Nut Plate, rear towing eye RH			A702A4002F	1
06	Screw M8 x 25 hex hd			A120W1000F	2
07	Washer M8 x 21 x 1.6 s/s blk			A111W4159F	2
08	Screw M8 x 25 hex flg hd			A132W5006F	4
09	Assembly Towing Eye Front		Cup 430	A138U0266G	1
10	Towing Hook Assembly		Cup 430	C132A0374F	1

Note: For common components
refer to Exige S parts list
A138T0325J





For common components refer to Exige S parts list A138T0325J

EXIGE *CUP*

12.01

Updated 2nd January 2018

Service Parts List

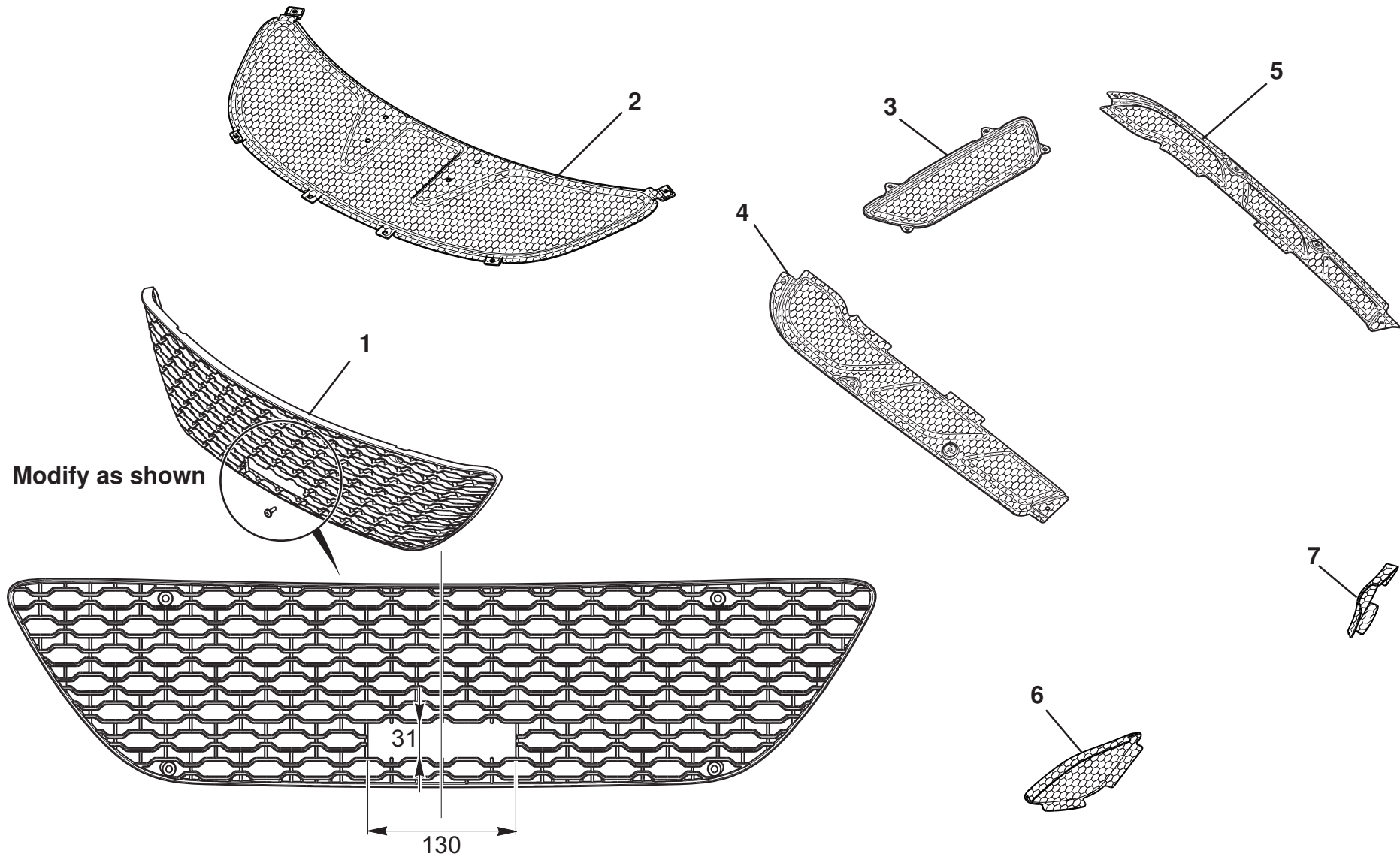


Function Code 12.01 Wheelarch Liners

<u>Dep</u>	<u>Part Description</u>	<u>Remarks</u>	<u>Option</u>	<u>Part Number</u>	<u>Qty</u>
01	Panel Front Wheelarch Liner LH	Modified from A138B4015F	Cup 380, 430	A138U4071K	1
02	Panel Front Wheelarch Liner RH	Modified from A138B4016F	Cup 380, 430	A138U4072K	1
03	Panel Rear Wheelarch Liner LH	Modified from A138B4019F	Cup 380, 430	A138B4481K	1
04	Panel Rear Wheelarch Liner RH	Modified from A138B4020F	Cup 380, 430	A138B4482K	1
05	Panel Vent Front Clam LH		Cup 380, 430	B138U4077F	1
06	Panel Vent Front Clam RH		Cup 380, 430	B138U4078F	1
07	Rear Spat Blade rear clam LH	Modified from A138B4011F	Cup 380, 430	A138B4515K	2
08	Rear Spat Blade rear clam RH	Modified from A138B4012F	Cup 380, 430	A138B4516K	2
09	Doublesided Tape, spat mounting			C075U6071V	1.2m
10	Panel Headlamp Access LH		Cup 430	A138B4557F	1
11	Panel Headlamp Access RH		Cup 430	A138B4558F	1

Note: For common components
refer to Exige S parts list
A138T0325J



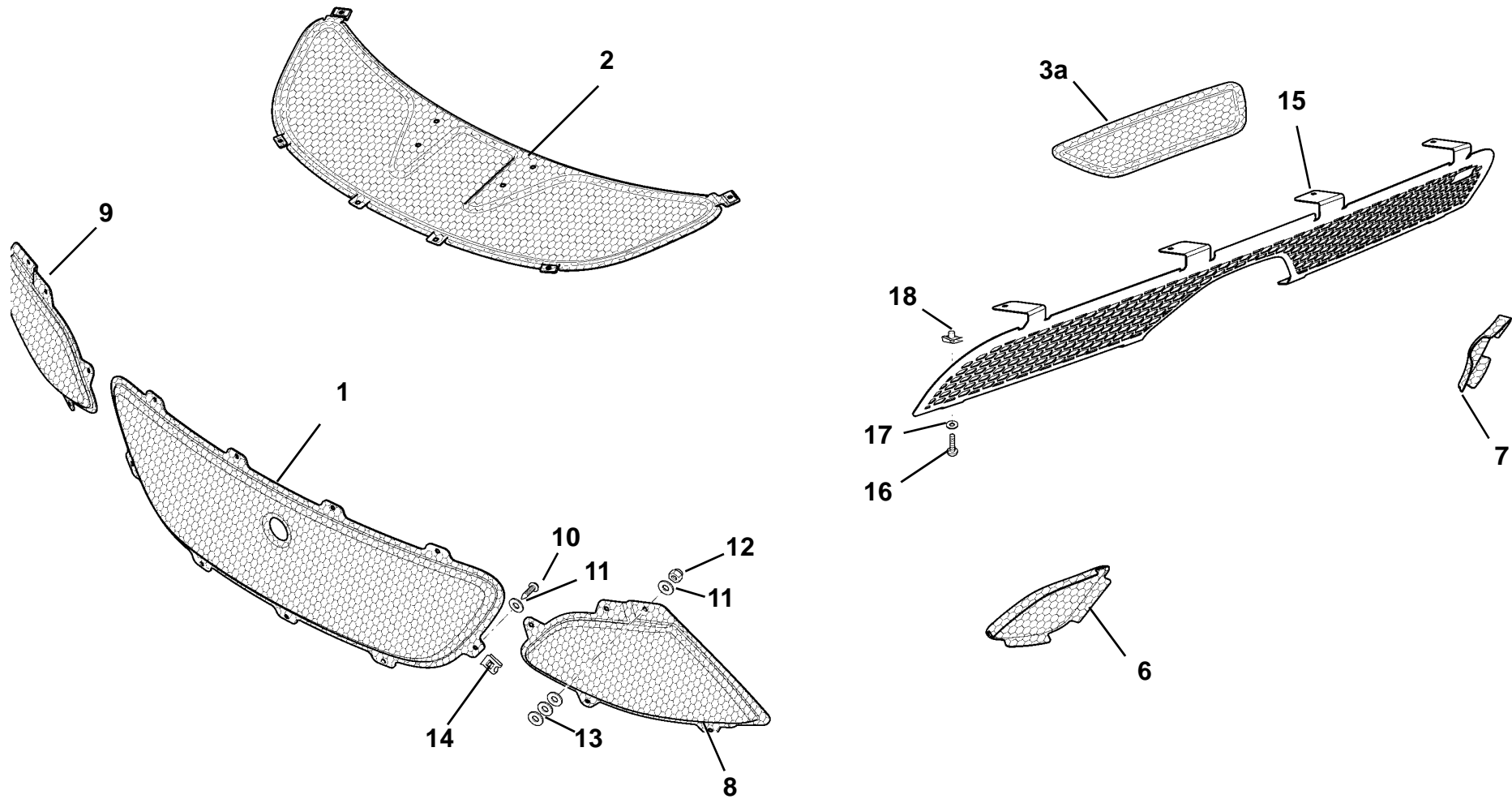


For common components refer to Exige S parts list A138T0325J

EXIGE *CUP*

12.03 page 1

Updated 2nd January 2018



Cup 430

For common components refer to Exige S parts list A138T0325J

EXIGE *CUP*

Service Parts List

EXIGE *CUP*



Function Code 12.03 Grilles and Louvres

<u>Dep</u>	<u>Part Description</u>	<u>Remarks</u>	<u>Option</u>	<u>Part Number</u>	<u>Qty</u>
01	Front Grille	Modify as shown		A138B0011F	1
01a	Front Grille		Cup 430	A138B0777F	1
02	Front Access Outlet Grille		Cup 360/380/430	A138B0324F	1
03	Tailgate Grille Upper		Cup 360	A138B0325F	1
03a	Tailgate Grille Upper		Cup 380/430	A138B0673F	1
04	Tailgate Grille LH		Cup 360	A138B4219F	1
05	Tailgate Grille RH		Cup 360	A138B4220F	1
06	Grille Rear Clam Vent LH		Cup 380/430	A138U4075F	1
07	Grille Rear Clam Vent RH		Cup 380/430	A138U4076F	1
08	Front Side Grille Intake LH		Cup 430	A138U4091F	1
09	Front Side Grille Intake RH		Cup 430	A138U4092F	1
10	Screw No.8 x 3/4 pozi flg hd			A075W5074Z	17
11	Washer Flat, 3/4 x 3/16 x 16g			B075W4009Z	19
12	Nut Nyloc M5			A075W3008Z	2
13	Washer Flat, M6 x 12 x 1.6			B100W4127F	6
14	Speed Nut No.8			A075W6016Z	17
15	Rear Diffuser Grille	Hole for towing Strap	Cup 430	B138U0271F	1
15a	Rear Diffuser Grille		Cup 430	B138U0272F	1

EXIGE *CUP*

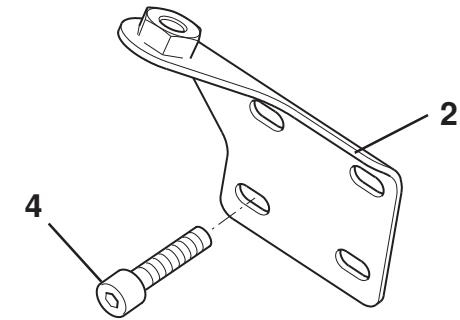
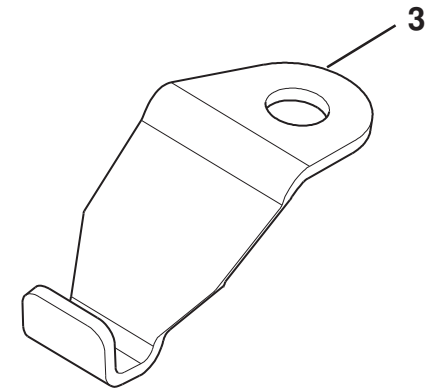
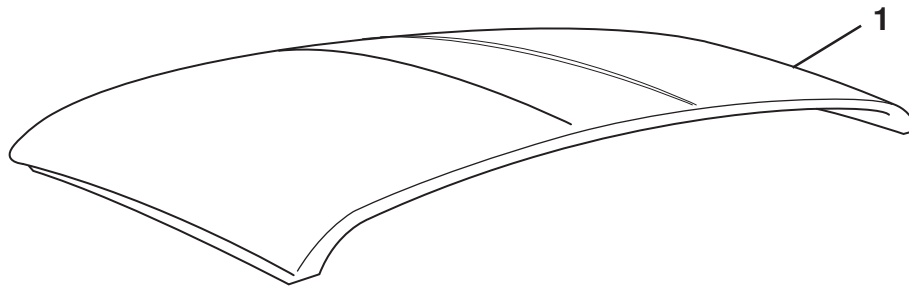
Function Code: 12.03, Page: 1

Updated 5th August 2019

Function Code 12.03 Grilles and Louvres

<u>Dep</u>	<u>Part Description</u>	<u>Remarks</u>	<u>Option</u>	<u>Part Number</u>	<u>Qty</u>
16	Screw M6 x 16 btn hd			A122W5282F	4
17	Washer M6 x 15 x 1.5			A082W4133F	4
18	Speed Nut M6			A117W6715F	4

Note: For common components
refer to Exige S parts list
A138T0325J



For common components refer to Exige S parts list A138T0325J

EXIGE *CUP*

12.04

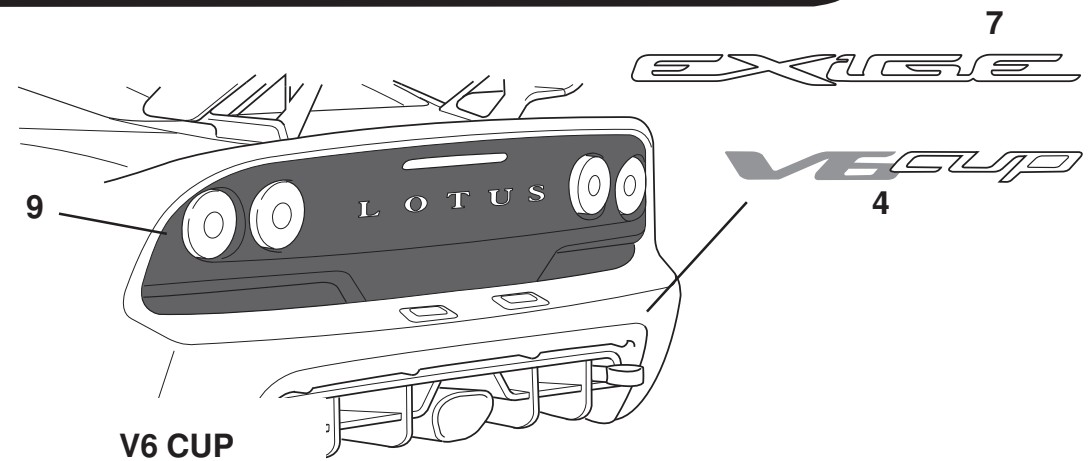
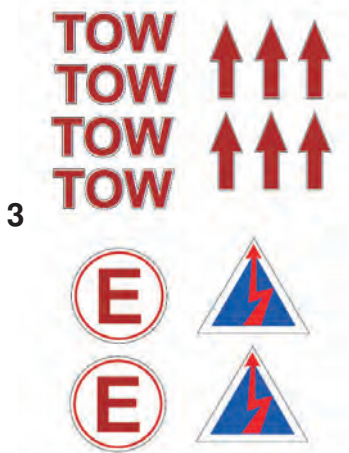
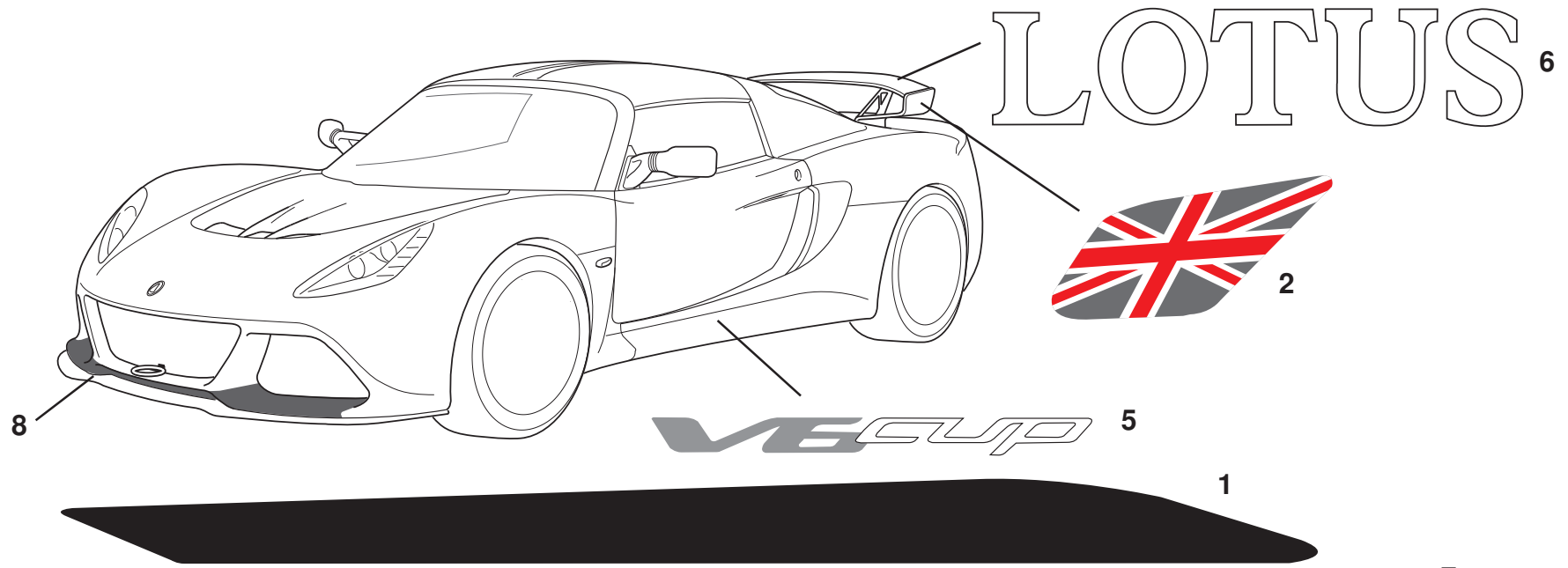
Service Parts List



Function Code 12.04 Roof Panel, Seals & Fixings

<u>Dep</u>	<u>Part Description</u>	<u>Remarks</u>	<u>Option</u>	<u>Part Number</u>	<u>Qty</u>
01	Hard Top Roof Assembly		Exige S Cup	A702B0002J	1
02	Bracket Hard Top Rear LH		Exige S Cup	A702B4001F	1
02a	Bracket Hard Top Rear RH		Exige S Cup	A702B4002F	1
03	Hook Hard Top Rear LH		Exige S Cup	A702B4003F	1
03a	Hook Hard Top Rear RH		Exige S Cup	A702B4004F	1
04	Bolt, roof mtg brkt			A128B0074F	6

Note: For common components
refer to Exige S parts list
A138T0325J

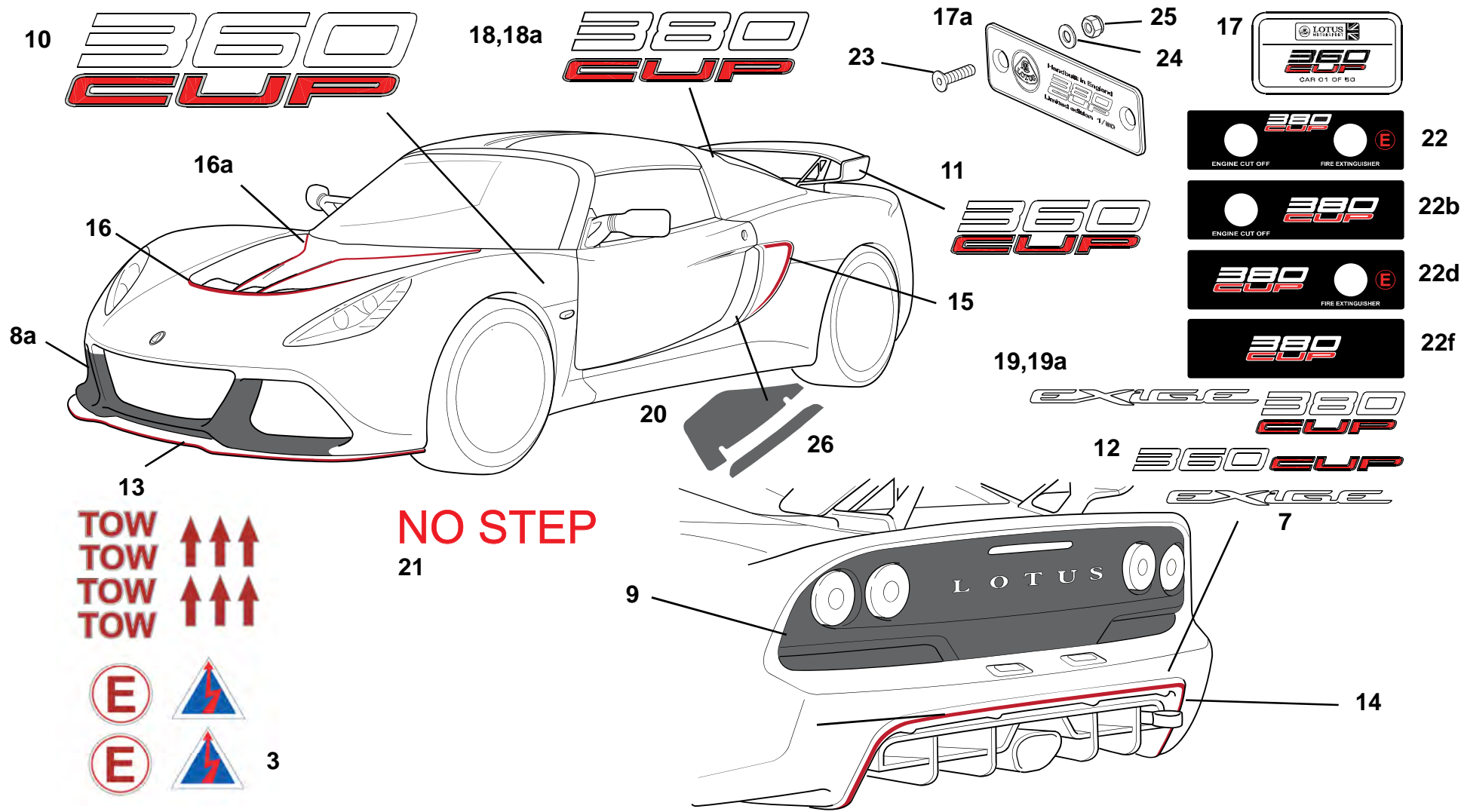


For common components refer to Exige S parts list A138T0325J

EXIGE *CUP*

12.05 page1

Updated 2nd January 2018



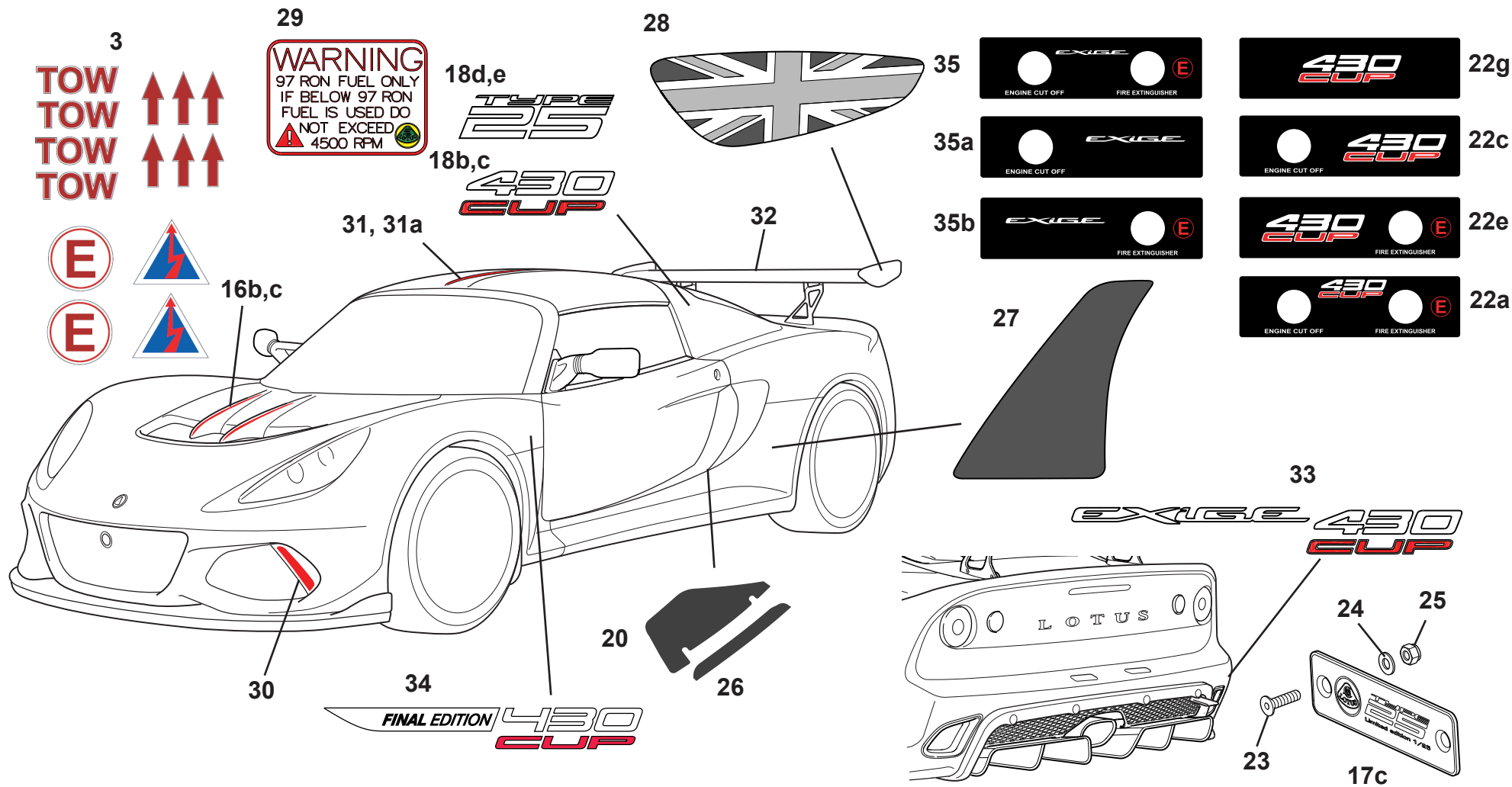
CUP 360/380

For common components refer to Exige S parts list A138T0325J

EXIGE *CUP*

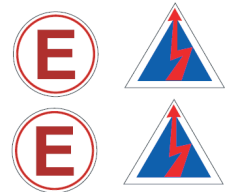
12.05 page2

Updated 1st April 2019



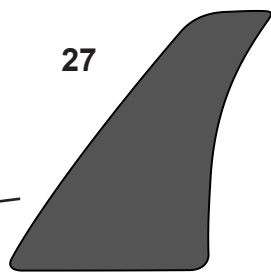
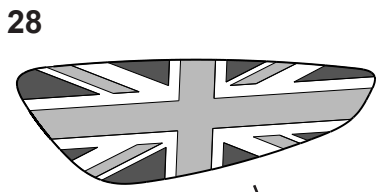
29
WARNING
 97 RON FUEL ONLY
 IF BELOW 97 RON
 FUEL IS USED DO
 NOT EXCEED
 4500 RPM

3
**TOW
 TOW
 TOW
 TOW
 TOW**



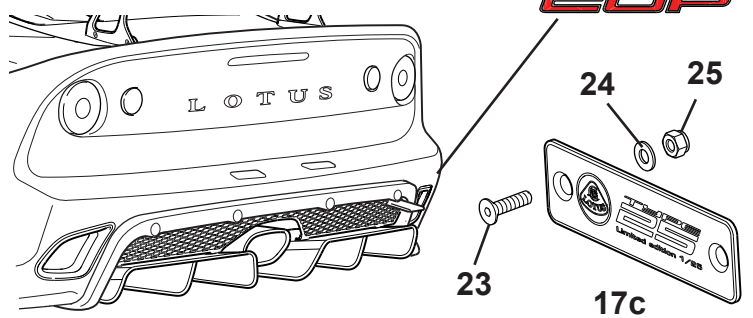
18d,e
**TYPE
 25**

18b,c
**430
 CUP**



34
**FINAL EDITION 430
 CUP**

33
**EXIGE 430
 CUP**



CUP 430
 For common components refer to Exige S parts list A138T0325J

EXIGE CUP

Service Parts List



Function Code 12.05 Decals, Badges & Protective Film

<u>Dep</u>	<u>Part Description</u>	<u>Remarks</u>	<u>Option</u>	<u>Part Number</u>	<u>Qty</u>
01	Decal Sill LH		V6 Cup	A702U4001F	1
01a	Decal Sill RH		V6 Cup	A702U4002F	1
02	Decal Union Jack, rear wing LH		V6 Cup	A702U4003F	1
02a	Decal Union Jack, rear wing RH		V6 Cup	A702U4004F	1
03	Decal Set, fire , kill, tow		V6 Cup	A702U0001F	1
04	Decal V6 Cup	Rear clam	V6 Cup	A702U0002F	1
05	Decal V6 Cup	Sill	V6 Cup	A702U0003F	2
06	Decal Lotus	Rear wing	V6 Cup	A702U0004F	1
07	Decal Exige	Rear clam	V6 Cup	A702U0005F	1
08	Paint Mask Front Clam		V6 Cup	A702U0006F	1
08a	Paint Mask Front Clam		Cup 380	Not Available	
09	Paint Mask Rear Clam		V6 Cup	A702U0007F	1
10	Decal '360 Cup'	Front access panel	Cup 360	A702U0013F	1
11	Decal '360 Cup'	Rear wing	Cup 360	A702U0014F	2
12	Decal '360 Cup'	Rear clam	Cup 360	A702U0015F	1
13	Paint Mask Front Splitter		Cup 360	A702U0016F	1
14	Paint Mask Rear Finisher		Cup 360	Not Available	1
15	Paint Mask Side Pod LH		Cup 360	A702U4009F	1



Function Code 12.05 Decals, Badges & Protective Film

Dep	Part Description	Remarks	Option	Part Number	Qty
15a	Paint Mask Side Pod RH		Cup 360	A702U4010F	1
16	Paint Mask Front access panel		Cup 360	Not Available	1
16a	Paint Mask Front access panel		Cup 380	A138T4001F	1
16b	Paint Mask Front access panel, twin stripes		Cup 430	A138T0011F	1
16c	Paint Mask Front access panel, single stripe		Cup 430 type 25 edition	A138T0014F	1
17	Build Plate		Cup 360	A702U0018F	1
17a	Build Plaque		Cup 380	A138V0893F	1
17b	Build Plaque		Cup 380 Japan	A138V0896F	1
17c	Build Plaque	Not Available, production fit only	Cup 430, type 25 edition	A138V0967F	1
17d	Build Plaque		Final edition	A138V1041F	1
18	Decal '380 Cup', silver	Roll hoop cover	Cup 380	A138U0164F	1
18a	Decal '380 Cup', grey	Roll hoop cover	Cup 380	A138U0165F	1
18b	Decal '430 Cup', silver	Roll hoop cover	Cup 430	A138U0219F	1
18c	Decal '430 Cup', grey	Roll hoop cover	Cup 430	A138U0218F	1
18d	Decal 'type 25' yellow	Rear clam upper	Cup 430, type 25 edition	A138U0302F	2
18e	Decal 'type 25' green	Rear clam upper	Cup 430, type 25 edition	A138U0303F	2
19	Decal 'Exige 380 Cup', silver	Rear clam	Cup 380	A138U0155F	1
19a	Decal 'Exige 380 Cup', grey	Rear clam	Cup 380	A138U0159F	1
20	Decal Carbon Side Air Duct, LH		Cup 380/430	A138U4083F	1
20a	Decal Carbon Side Air Duct, RH		Cup 380/430	A138U4084F	1
21	Decal, 'no step',	On barge board	Cup 380	A127B0150F	2



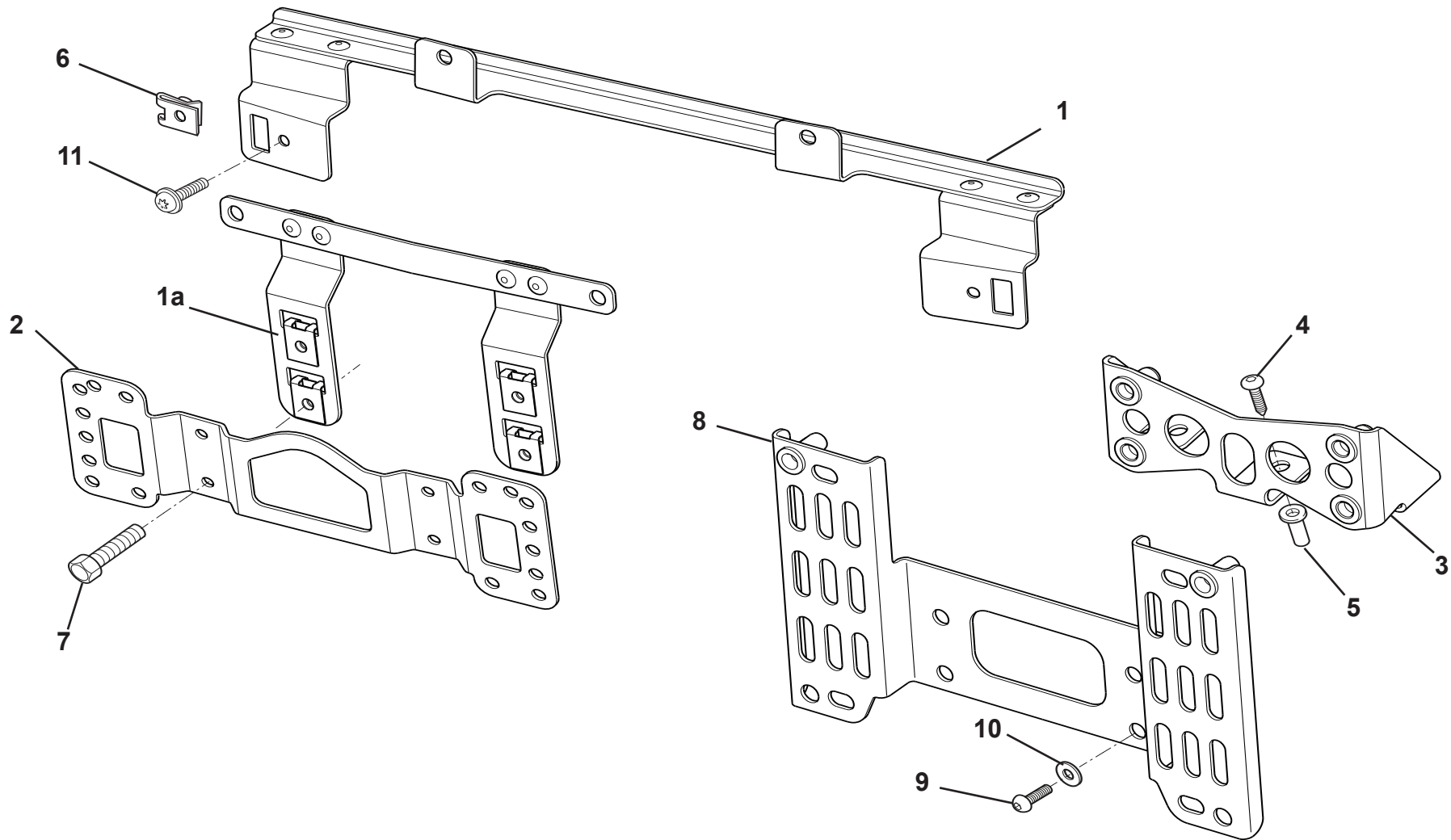
Function Code 12.05 Decals, Badges & Protective Film

<u>Dep</u>	<u>Part Description</u>	<u>Remarks</u>	<u>Option</u>	<u>Part Number</u>	<u>Qty</u>
22	Decal , fire extinguisher & engine cut-off	See 17.03 for mounting panel	Cup 380	A138V0906F	1
22a	Decal , fire extinguisher & engine cut-off	See 17.03 for mounting panel	Cup 430	A138V0942F	1
22b	Decal , engine cut-off only	See 17.03 for mounting panel	Cup 380	A138V0905F	1
22c	Decal , engine cut-off only	See 17.03 for mounting panel	Cup 430	A138V0944F	1
22d	Decal , fire extinguisher only	See 17.03 for mounting panel	Cup 380	A138V0904F	1
22e	Decal , fire extinguisher only	See 17.03 for mounting panel	Cup 430	A138V0943F	1
22f	Decal 380 Cup, no emergency switches	See 17.03 for mounting panel	Cup 380	A138V0914F	1
22g	Decal 430 Cup, no emergency switches	See 17.03 for mounting panel	Cup 430	A138V0945F	1
23	Screw M4 x 16 csk cap		Cup 380	A127W7227F	2
24	Washer M4 x 9x 0.8		Cup 380	A082W4099F	2
25	Nut Nyloc M4		Cup 380	A132W3019F	2
26	Decal Carbon Side Air Pod, LH		Cup 380/430	A138U4101F	1
26a	Decal Carbon Side Air Pod, RH		Cup 380/430	A138U4102F	1
27	Decal Sharkfin LH		Cup 430	A138U4127F	1
27a	Decal Sharkfin RH		Cup 430	A138U4128F	1
28	Decal Wing Endplate LH		Cup 430	A138U4129F	1
28a	Decal Wing Endplate RH		Cup 430	A138U4130F	1
29	Decal Fuel Filler Flap	On driver's door	Cup 430	A132B0608F	1
30	Paint Mask Front Air Curtain LH		Cup 430	A138T4007F	1
30a	Paint Mask Front Air Curtain RH		Cup 430	A138T4008F	1
31	Paint Mask Roof, twin stripes		Cup 430	A138T0010F	1

Function Code 12.05 Decals, Badges & Protective Film

Dep	Part Description	Remarks	Option	Part Number	Qty
31a	Paint Mask Roof, single stripe		Cup 430 type 25 edition	A138T0015F	
32	Paint Mask Rear Wing		Cup 430 type 25 edition	A138T0016F	1
33	Decal 'Exige 430 Cup', silver	Rear clam	Cup 430	A138U0217F	1
33a	Decal 'Exige 430 Cup', grey	Rear clam	Cup 430	A138U0216F	1
33b	Decal 'Exige 430 Cup', black/red	Rear clam	Cup 430 final edition	A138U0359F	1
33c	Decal 'Exige 430 Cup', aluminium/red	Rear clam	Cup 430 final edition	A138U0360F	1
33d	Decal 'Exige 430 Cup', aluminium/black	Rear clam	Cup 430 final edition	A138U0361F	1
34	Decal 'FINAL EDITION 430 Cup', black/red LH	Above side repeater lamp	Cup 430 final edition	A138U4193F	1
34a	Decal 'FINAL EDITION 430 Cup', black/red RH	Above side repeater lamp	Cup 430 final edition	A138U4194F	1
34b	Decal 'FINAL EDITION 430 Cup', aluminium/red LH	Above side repeater lamp	Cup 430 final edition	A138U4195F	1
34c	Decal 'FINAL EDITION 430 Cup', aluminium/red RH	Above side repeater lamp	Cup 430 final edition	A138U4196F	1
34d	Decal 'FINAL EDITION 430 Cup', aluminium/black LH	Above side repeater lamp	Cup 430 final edition	A138U4197F	1
34e	Decal 'FINAL EDITION 430 Cup', aluminium/black RH	Above side repeater lamp	Cup 430 final edition	A138U4198F	1
35	Decal , fire extinguisher & engine cut-off	See 17.03 for mounting panel	Final edition	A138V1042F	1
35a	Decal , engine cut-off only	See 17.03 for mounting panel	Final edition	A138V1043F	1
35b	Decal , fire extinguisher only	See 17.03 for mounting panel	Final edition	A138V1045F	1

Note: For common components
refer to Exige S parts list
A138T0325J



For common components refer to Exige S parts list A138T0325J

EXIGE *CUP*

12.07

Updated 1st March 2021

Service Parts List

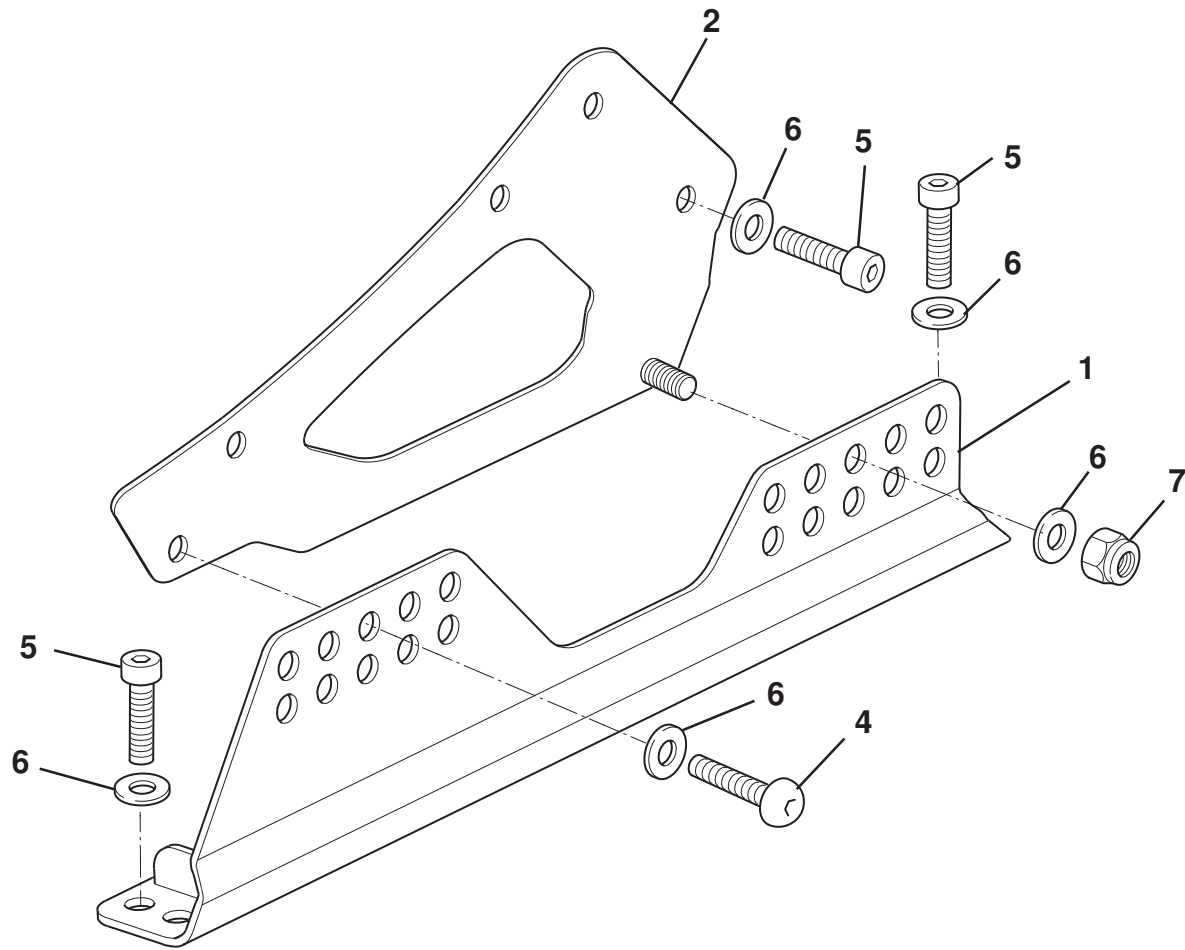


Function Code 12.07 Licence Plate Mountings

<u>Dep</u>	<u>Part Description</u>	<u>Remarks</u>	<u>Option</u>	<u>Part Number</u>	<u>Qty</u>
01	Bracket Assembly, front license plate	Includes speed nuts	Cup 430	A138U0252J	1
01a	Bracket Assembly, front license plate		Cup 430 Gulf States	A138U0307J	1
02	Bracket license Plate GCC			A710U0138F	1
03	Plinth Assembly		Japan	A138U0210F	1
04	Screw M6 x 20, skt btn hd s/s			A100W7096F	3
05	Jacknut M6			A075W3034Z	3
06	Speed Nut M5			B100W6372F	2
07	Screw M5 x 16			A082W1088F	4
08	Bracket Assembly, front license plate		Japan	A132U1199F	1
09	Screw M6 x 16 but cap hd			A082W7105F	4
10	Washer M6 x 15 x 1.5 s/s blk			A082W4133F	4
11	Screw M5 x18 torx hd flg			A138W5001F	2

Note: For common components
refer to Exige S parts list
A138T0325J





For common components refer to Exige S parts list A138T0325J

EXIGE *CUP*

13.01

Service Parts List

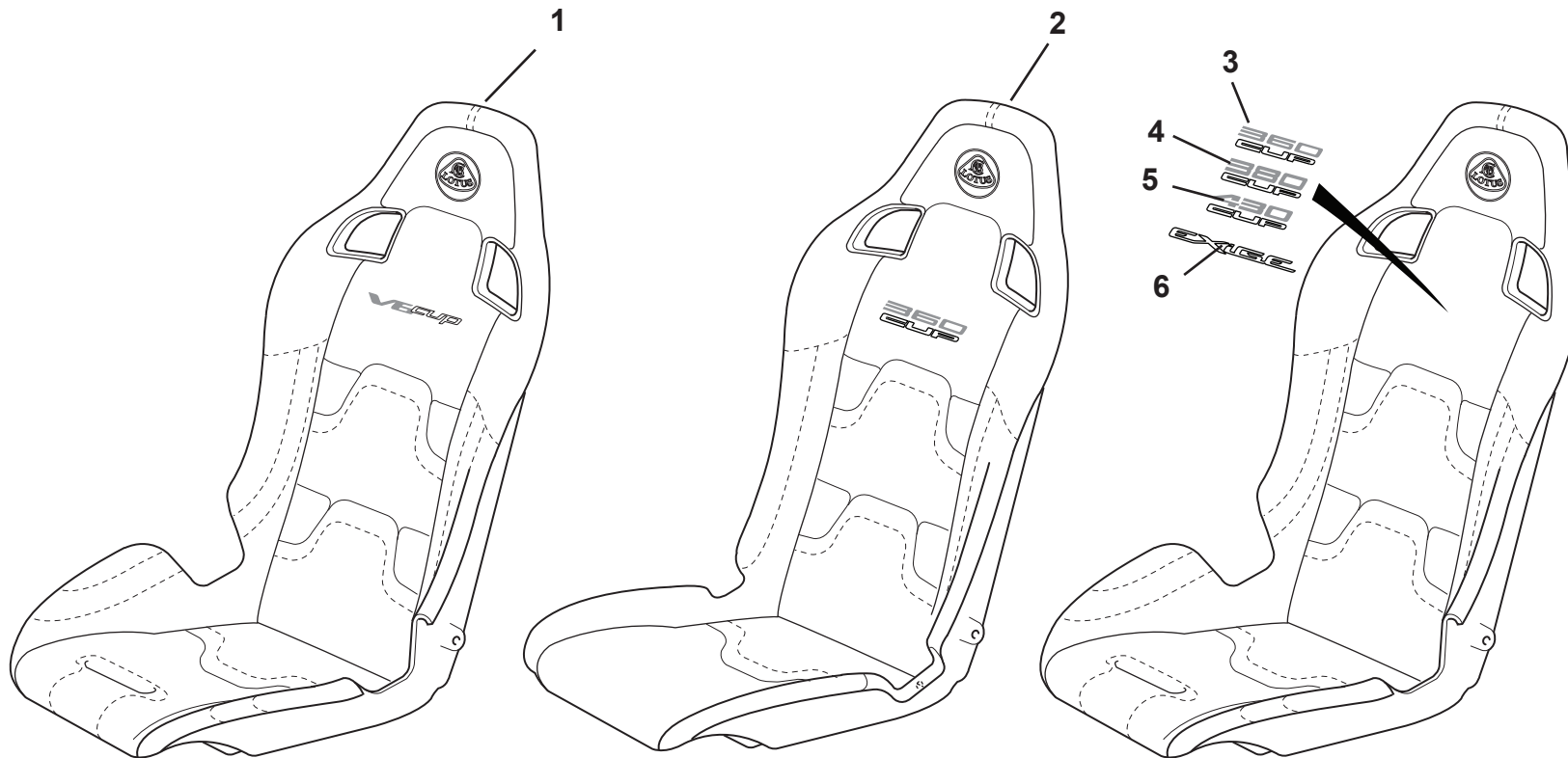


Function Code 13.01 Seat Runners

<u>Dep</u>	<u>Part Description</u>	<u>Remarks</u>	<u>Option</u>	<u>Part Number</u>	<u>Qty</u>
01	Fixed Seat Mounting LH, FIA approved			A128U4013S	1
01a	Fixed Seat Mounting RH, FIA approved			A128U4014S	1
02	Seat Support Plate LH, FIA approved			A128B4107S	1
02a	Seat Support Plate RH, FIA approved			A128B4108S	1
03	Screw M8 x 16 cap hd, rear outboard mounting			A111W7125F	1
03a	Screw M8 x 22 cap hd, rear intboard mounting			A120W5284F	1
04	Screw M8 x 20 btn hd			A126W5332F	2
05	Screw M8 x 20 cap hd			A111W7130F	10
06	Washer M8 x 16 x 1.5			A127W4000F	16
07	Nut Nyloc M8			A075W3010F	2

Note: For common components
refer to Exige S parts list
A138T0325J





For common components refer to Exige S parts list A138T0325J

EXIGE *CUP*

13.02

Updated 1st March 2021

Service Parts List



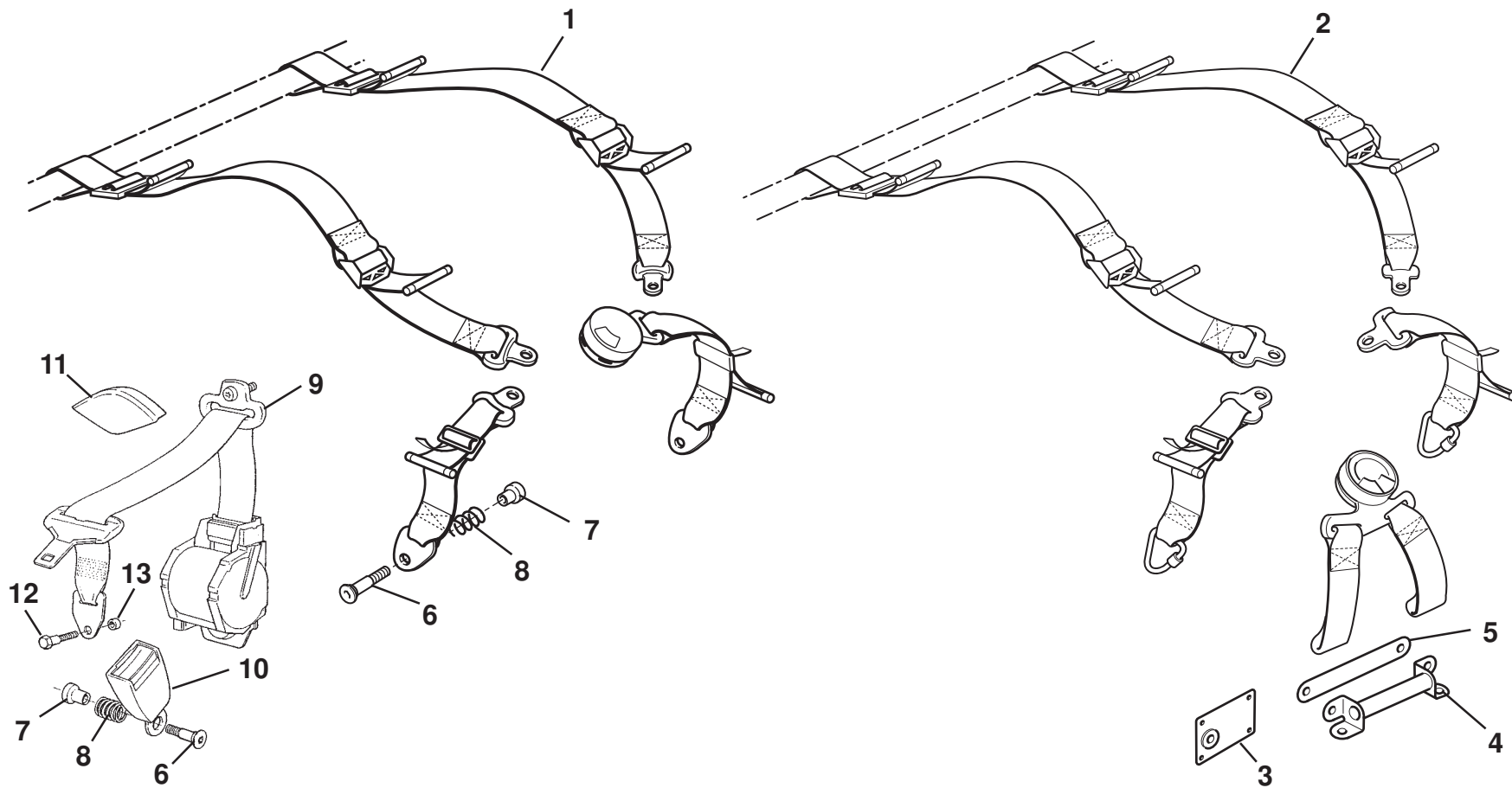
Function Code 13.02 Seat Assemblies, front

<u>Dep</u>	<u>Part Description</u>	<u>Remarks</u>	<u>Option</u>	<u>Part Number</u>	<u>Qty</u>
01	Assembly Seat, carbon, black*	FIA HANS 'V6 Cup' logo	V6 Cup	A702V0003J	2
02	Assembly Seat GRP, black atom*	'360 Cup' logo	Cup 360	A702V0031J	2
02a	Assembly Seat GRP, alcantara*	'360 Cup' logo	Cup 360	A702V0020J	2
03	Assembly Seat,carbon, black atom*	'360 Cup' logo	Cup 360	A702V0032J	2
03a	Assembly Seat,carbon, alcantara*	'360 Cup' logo	Cup 360	A702V0022J	2
04	Assembly Seat,carbon, alcantara*	'380 Cup' logo	Cup 380		2
05	Assembly Seat,carbon, alcantara*	'430 Cup' logo	Cup 430		2
06	Assembly Seat,carbon, alcantara*	'Exige' logo	Cup 430 final edition		2

*Use Trim Order Form LSL654

Note: For common components refer to Exige S parts list A138T0325J





For common components refer to Exige S parts list A138T0325J

EXIGE *CUP*

13.27

Updated 4th December 2017

Service Parts List

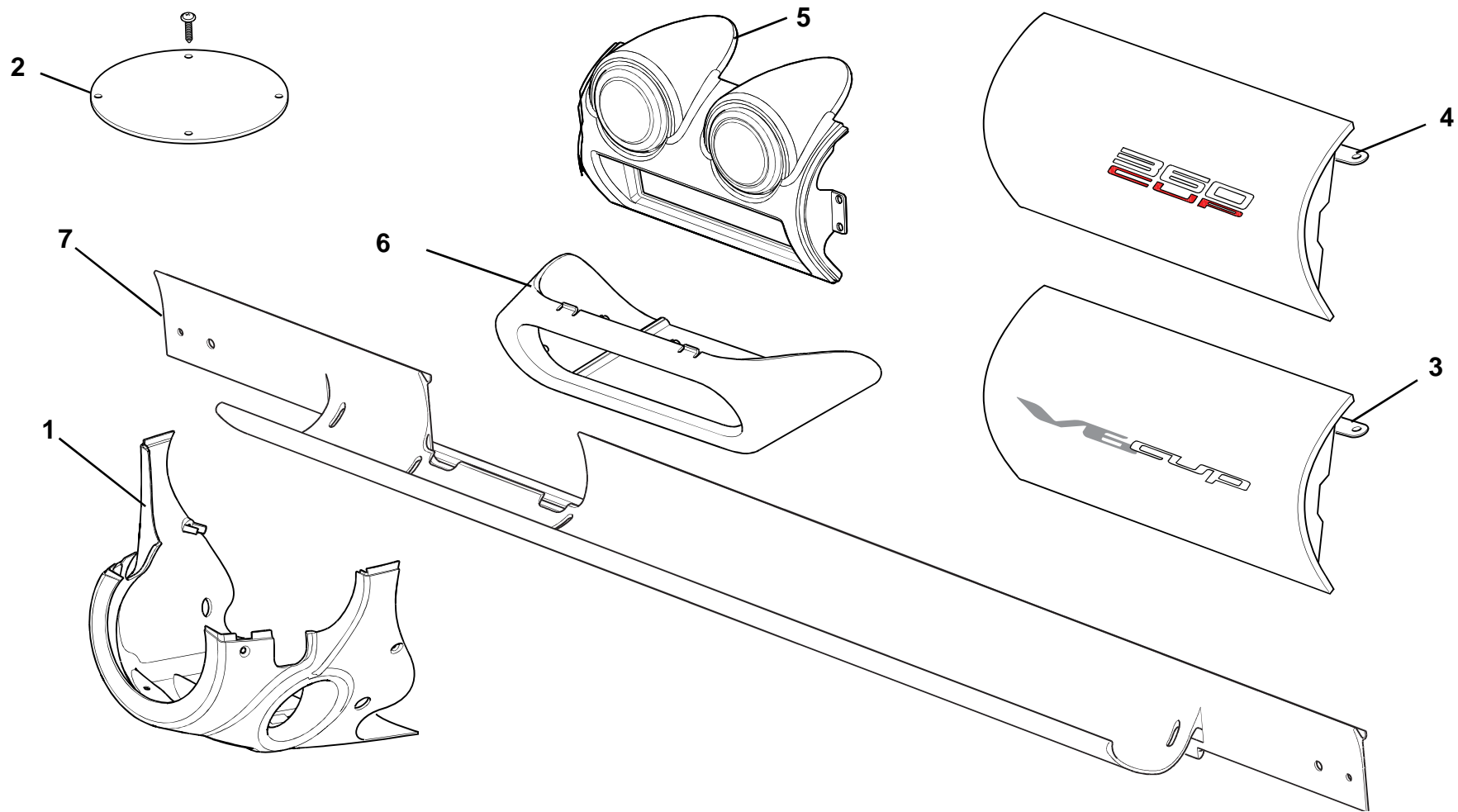


Function Code 13.27 Seat Belts, front

<u>Dep</u>	<u>Part Description</u>	<u>Remarks</u>	<u>Option</u>	<u>Part Number</u>	<u>Qty</u>
01	Harness, 4 point seat belt, LH			A122V0049F	1
01a	Harness, 4 point seat belt, RH			A122V0050F	1
02	6pt harness, driver		Fixed seat runner	A702V6001F	1
03	Nut Plate			A702V0001J	2
04	Bracket, 6 point harness crotch strap			A127V0001F	2
05	Spreader Plate, 6 point harness crotch strap			A127V0002F	2
06	Bolt, 7/16" UNF, csk., skt., hd., seat belt to frame			B121W2209F	4
07	Spacer, stepped, seat belt to frame			A121B0045F	4
08	Spring, seat belt to frame			A111U6016F	4
09	Seat Belt Assembly, retractor			B120B0024F	2
10	Buckle, seat belt			A120B0026F	2
11	Cover, upper anchorage			A117U6014F	2
12	Bolt, shoulder, 7/16", seat belt fixing			B121W2210F	2
13	Spacer, 19.0 dia. x 12.5mm, seat belt fixing			A121W6782F	2

Note: For common components
refer to Exige S parts list
A138T0325J





For common components refer to Exige S parts list A138T0325J

EXIGE *CUP*

14.05

Updated 2nd December 2019

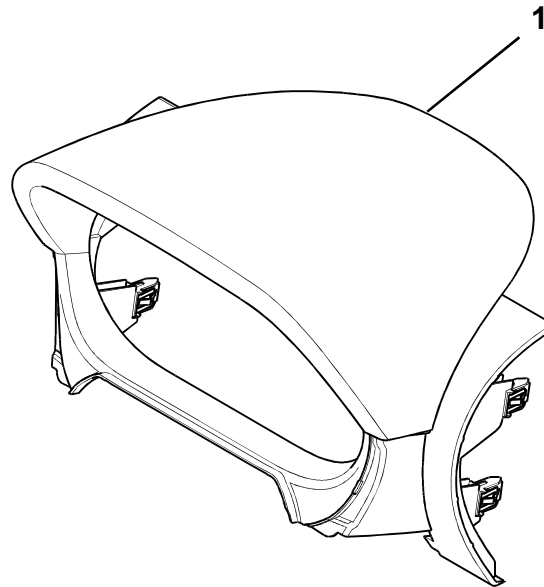
Service Parts List



Function Code 14.05 Fascia Structure & Supporting Hardware

<u>Dep</u>	<u>Part Description</u>	<u>Remarks</u>	<u>Option</u>	<u>Part Number</u>	<u>Qty</u>
01	Column Cowl, lower	Paddle Shift		A120V0423F	1
02	Blanking Panel, front speakers			A120U0174F	2
03	Cover, V6cup logo*		V6 Cup	A702V0014K	1
04	Cover, 360 cup logo, black LHD*		Cup 360	A702V0029J	1
04a	Cover, 360 cup logo, red alcantara LHD*		Cup 360	A702V0027J	1
04b	Cover, 360 cup logo, black RHD*		Cup 360	A702V0030J	1
04c	Cover, 360 cup logo, red alcantara RHD*		Cup 360	A702V0028J	1
05	Mounting Assembly, centre FLV, alcantara*			A138V0733JA	1
06	Mounting Assembly, heater control, carbon		Cup 380/430	A138V0901F	1
07	Dash Panel Lower/Stowage Shelf, LHD	Painted senosoft black	Cup 430	A138V4385K	1
07a	Dash Panel Lower/Stowage Shelf, RHD	Painted senosoft black	Cup 430	A138V4386K	1
		*Use Trim Order Form LSL654			
		Note: For common components refer to Exige S parts list A138T0325J			





For common components refer to Exige S parts list A138T0325J

EXIGE *CUP*

14.10

Updated 5th August 2019

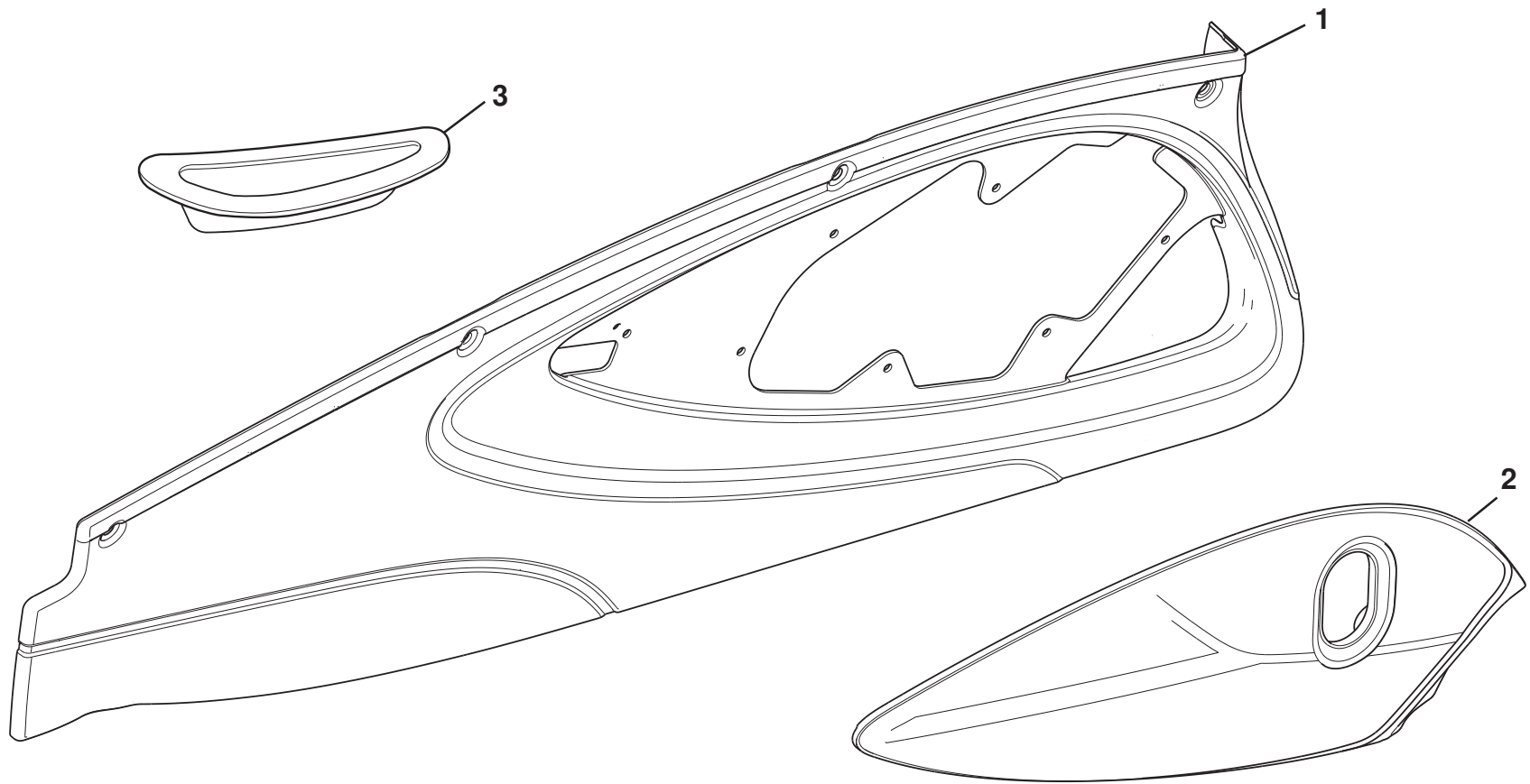
Service Parts List



Function Code 14.10 Instrument Cowling/Binnacle

<u>Dep</u>	<u>Part Description</u>	<u>Remarks</u>	<u>Option</u>	<u>Part Number</u>	<u>Qty</u>
01	Instrument Cowling, carbon			A138V0936F	1

Note: For common components
refer to Exige S parts list
A138T0325J



For common components refer to Exige S parts list A138T0325J

EXIGE *CUP*

15.13

Service Parts List

EXIGE *CUP*



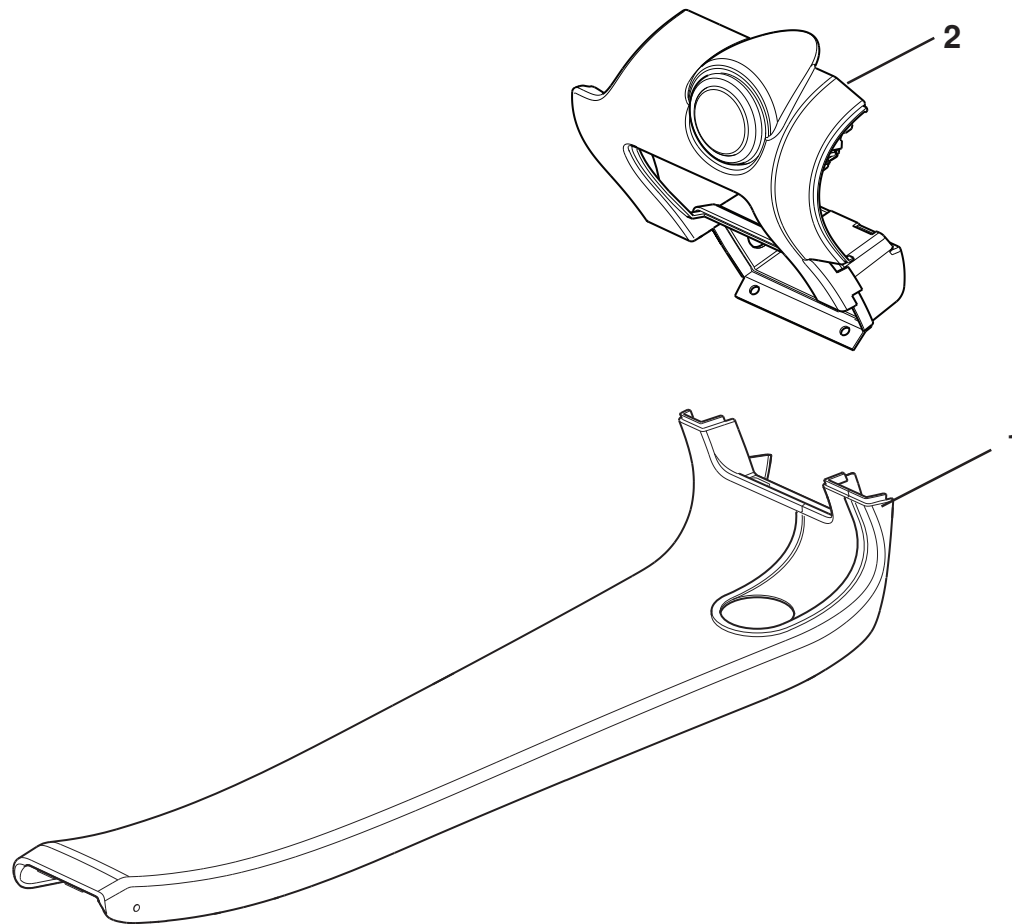
Function Code 15.13 Front Door Trims

<u>Dep</u>	<u>Part Description</u>	<u>Remarks</u>	<u>Option</u>	<u>Part Number</u>	<u>Qty</u>
01	Assembly Door Trim Panel LH*		V6 Cup	A702V4001K	1
01a	Assembly Door Trim Panel RH*		V6 Cup	A702V4002K	1
01b	Assembly Door Trim Panel LH, alcantara*		Cup 360	A702V4009KA	1
01c	Assembly Door Trim Panel LH, alcantara*		Cup 360	A702V4010KA	1
02	Door Trim Panel Insert LH*		V6 Cup/Cup 360	A702V4003K	1
02a	Door Trim Panel Insert RH*		V6 Cup/Cup 360	A702V4004K	1
02b	Door Trim Panel Insert LH, alcantara*		Cup 360	A702V4011K	1
02c	Door Trim Panel Insert LH, alcantara*		Cup 360	A702V4012K	1
03	Trim Panel, interior door pull recess, LH*		V6 Cup/Cup 360	A702V4005K	1
03a	Trim Panel, interior door pull recess, RH*		V6 Cup/Cup 360	A702V4006K	1

*Use Trim Order Form LSL654

Note: For common components
refer to Exige S parts list
A138T0325J

EXIGE *CUP*



For common components refer to Exige S parts list A138T0325J

EXIGE *CUP*

15.18

Updated 2nd May 2017

Service Parts List

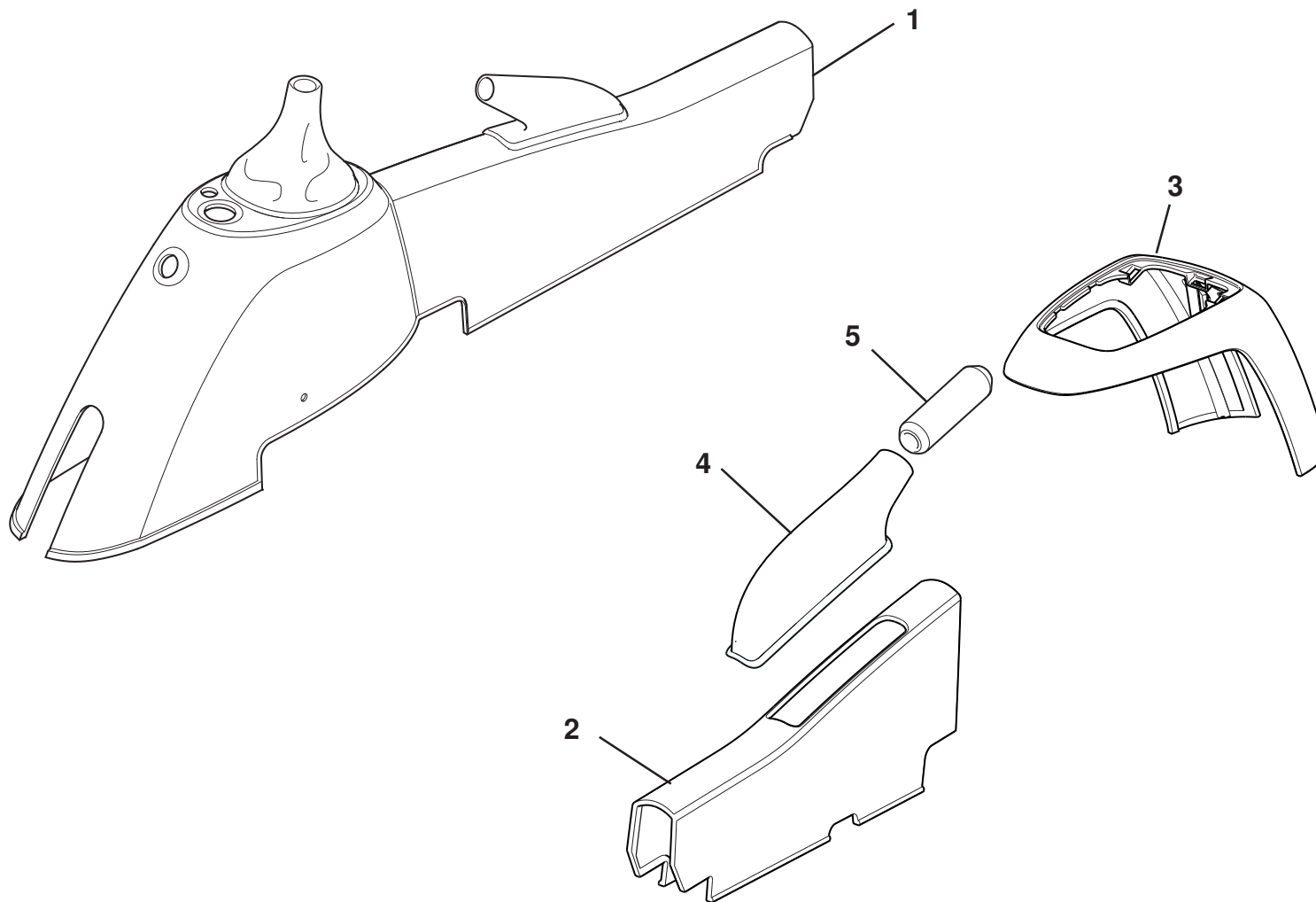


Function Code 15.18 Interior Trim, Chassis Trim Panels

<u>Dep</u>	<u>Part Description</u>	<u>Remarks</u>	<u>Option</u>	<u>Part Number</u>	<u>Qty</u>
01	Sill Trim Panel LH, senosoft		Front roll cage	A702V4007K	1
01a	Sill Trim Panel RH, senosoft		Front roll cage	A702V4008K	1
02	'A' Post Trim Panel, LH, alcantara*		Cup 380/430	A138V0750JA	1
02a	'A' Post Trim Panel, RH, alcantara*		Cup 380/430	A138V0751JA	1

*Use Trim Order Form LSL654

Note: For common components
refer to Exige S parts list
A138T0325J



For common components refer to Exige S parts list A138T0325J

EXIGE *CUP*

15.19

Updated 3rd October 2016

Service Parts List



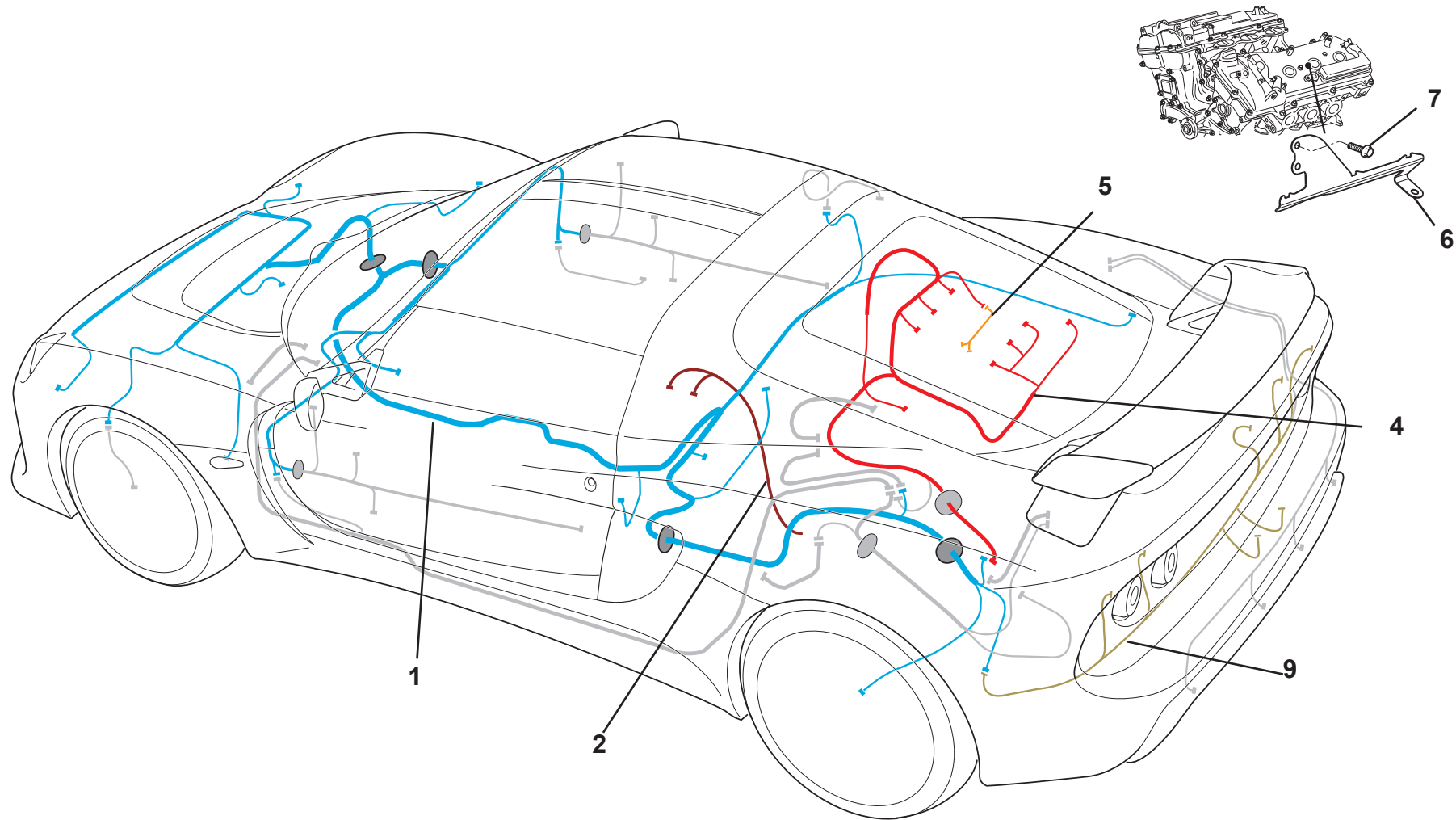
Function Code 15.19 Centre Tunnel Trim, Gear Lever Gaiters/Shrouds

<u>Dep</u>	<u>Part Description</u>	<u>Remarks</u>	<u>Option</u>	<u>Part Number</u>	<u>Qty</u>
01	Centre Console, black cloth LHD*			A702V4013J	1
01a	Centre Console, black cloth RHD*			A702V4014J	1
01b	Centre Console, alcantara, LHD*		Cup 360	A702V4015J	1
01c	Centre Console, alcantara, RHD*		Cup 360	A702V4016J	1
02	Centre Console, middle, cloth*		Cup 360/430, exposed gear shift	B138V0722JC	1
02a	Centre Console, middle, carpet (velcar)		Cup 380/430, exposed gear shift	B138V0722JV	1
03	Centre Console, front upper LHD, alcantara*		Cup 360, exposed gear shift	A138V0725JA	1
03a	Centre Console, front upper RHD, alcantara*		Cup 360, exposed gear shift	A138V0724JA	1
04	Handbrake Gaiter alcantara*			A120V0412KA	1
04a	Handbrake Gaiter*		Cup 380/430, exposed gear shift	A120V0412KL	1
05	Handbrake Sleeve, alcantara*			A132U0211JA	1
06	Gearshift Gaiter, alcantara**			A120V0419KA	1

*Use Trim Order Form LSL654

Note: For common components refer to Exige S parts list A138T0325J





For common components refer to Exige S parts list A138T0325J

EXIGE *CUP*

17.01

Updated 1st March 2021

Service Parts List

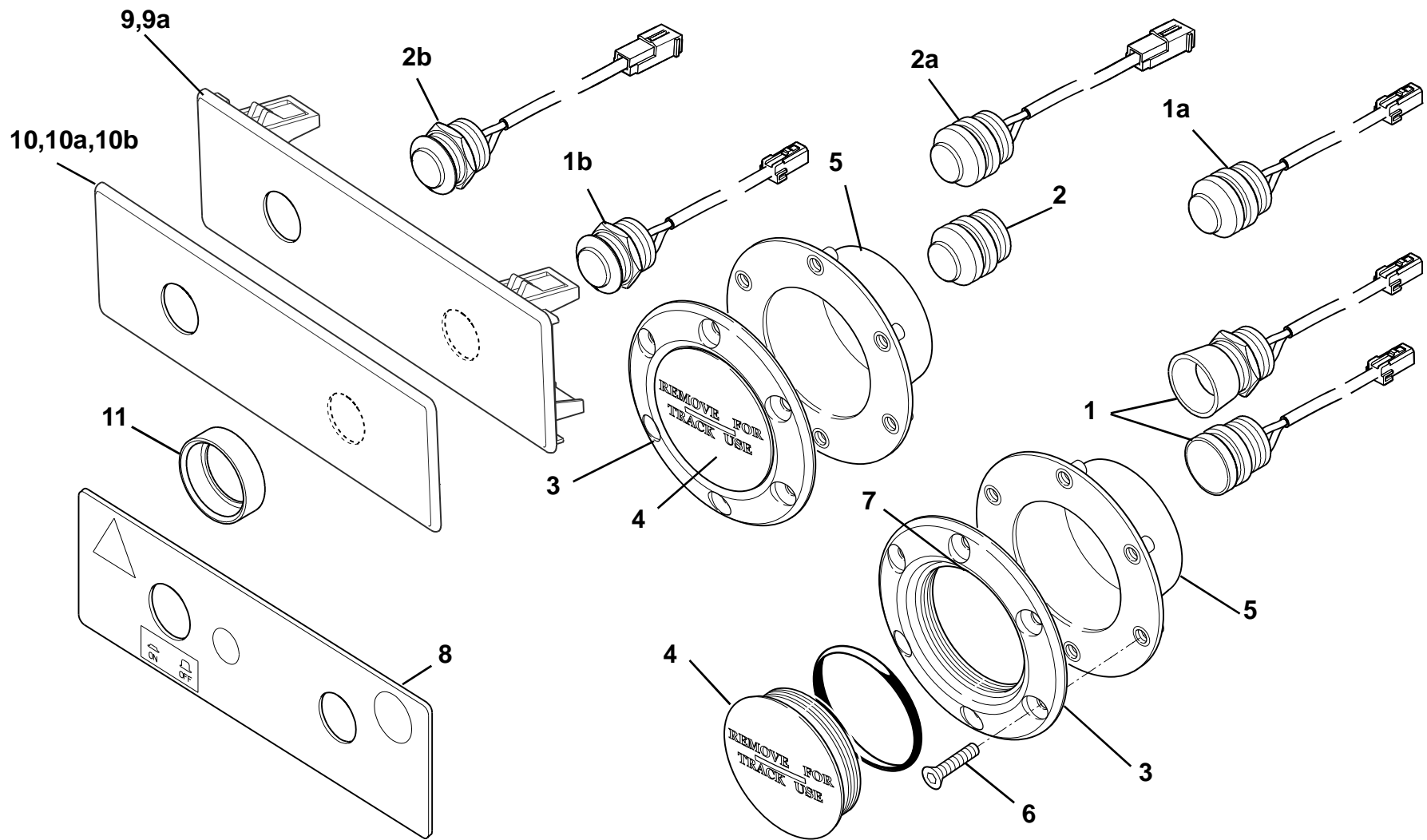


Function Code 17.01 Harnesses, Leads

<u>Dep</u>	<u>Part Description</u>	<u>Remarks</u>	<u>Option</u>	<u>Part Number</u>	<u>Qty</u>
01	Main Harness, includes overrun harness			A702M0002F	1
01a	Main Harness, includes overrun harness		MY16	A702M0006F	1
01b	Main Harness		380 Sport & Cup, Cup 430 up to Vin KH_10082	B138M0184F	1
01c	Main Harness	New airbag module	Cup 430 from Vin KH_10083	C138M0184F	1
02	Harness fuel tank, High pressure fuel pump & relay		Cup 380/430	A147M0005F	1
04	Engine Harness		Cup 430	E132M0365F	1
05	Harness Kit, battery isolator and fire extinguisher	Not illustrated	Cup 380	A147M0006F	1
05	Injector Harness		Cup 430	B132M0372F	1
06	Bracket Wiring Harness LH		Cup 430	A132M0343F	1
07	Screw, hex flg hd			A132E6471S	2
08	Coolant Pump Harness Relay Kit	Not illustrated, see TSB 2018/16		A138M0197S	1
09	Harness Rear		Cup 380/430	A138M0143F	1

Note: For common components refer to Exige S parts list A138T0325J





For common components refer to Exige S parts list A138T0325J

EXIGE *CUP*

17.03

Updated 4th March 2019

Service Parts List



Function Code 17.03 Horn, Inertia Switch, Modules, Fuses & Relays

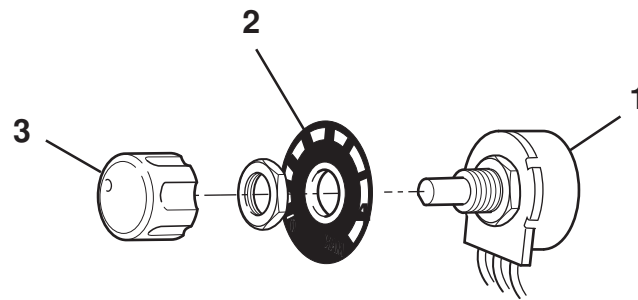
<u>Dep</u>	<u>Part Description</u>	<u>Remarks</u>	<u>Option</u>	<u>Part Number</u>	<u>Qty</u>
01	Switches Kit, fire extinguisher	Red switches located on rear clam and dash		A128B0077J	1
01a	Switch fire extinguisher	Red switch located on rear clam	Cup 380/430	A708M0032K	1
01b	Switch, fire extinguisher	Red switch located in dash	Cup 380/430	A138M0192K	1
02	Switch, battery isolator	Green switch located on rear clam and dash		A128M6000F	2
02a	Switch, battery isolator	Green switch located in rear clam	Cup 380/430	A708M0034K	1
02b	Switch, battery isolator	Green switch located in dash	Cup 380/430	A138M0194K	1
03	Bezel Flange, emergency switches			A128B0046F	2
04	Plug Cap Centre	Includes 'O' ring,		A128B0061F	2
05	Mounting Cup Assembly Emergency Switches	Supplied with rivnuts		A128B0088J	2
05a	Rivnut M5			A124W3216F	12
06	Screw, M5 x 25, csk, skt. hd., bezel/cup to clamshell			A121W7214F	12
07	'O' Ring, plug to bezel			A128B0064H	2
08	Panel Cover, emergency button			A702B0001F	1
09	Mounting Radio Blank, emergency single switch		Cup 380/430	A138V0920K	1
09a	Mounting Radio Blank, emergency double switch		Cup 380/430	A138V0919K	1
10	Cover Radio Blank, emergency single switch		Cup 380/430	A138V0922K	1
10a	Cover Radio Blank, emergency double switch		Cup 380/430	A138V0921K	1



Function Code 17.03 Horn, Inertia Switch, Modules, Fuses & Relays

<u>Dep</u>	<u>Part Description</u>	<u>Remarks</u>	<u>Option</u>	<u>Part Number</u>	<u>Qty</u>
10b	Cover Radio Blank	No switches	Cup 380/430	A138V0924F	1
11	Switch Collar, emergency switches		Cup 380/430	A138V0915G	2

Note: For common components
refer to Exige S parts list
A138T0325J



For common components refer to Exige S parts list A138T0325J

EXIGE *CUP*

17.05

Updated 2nd May 2017

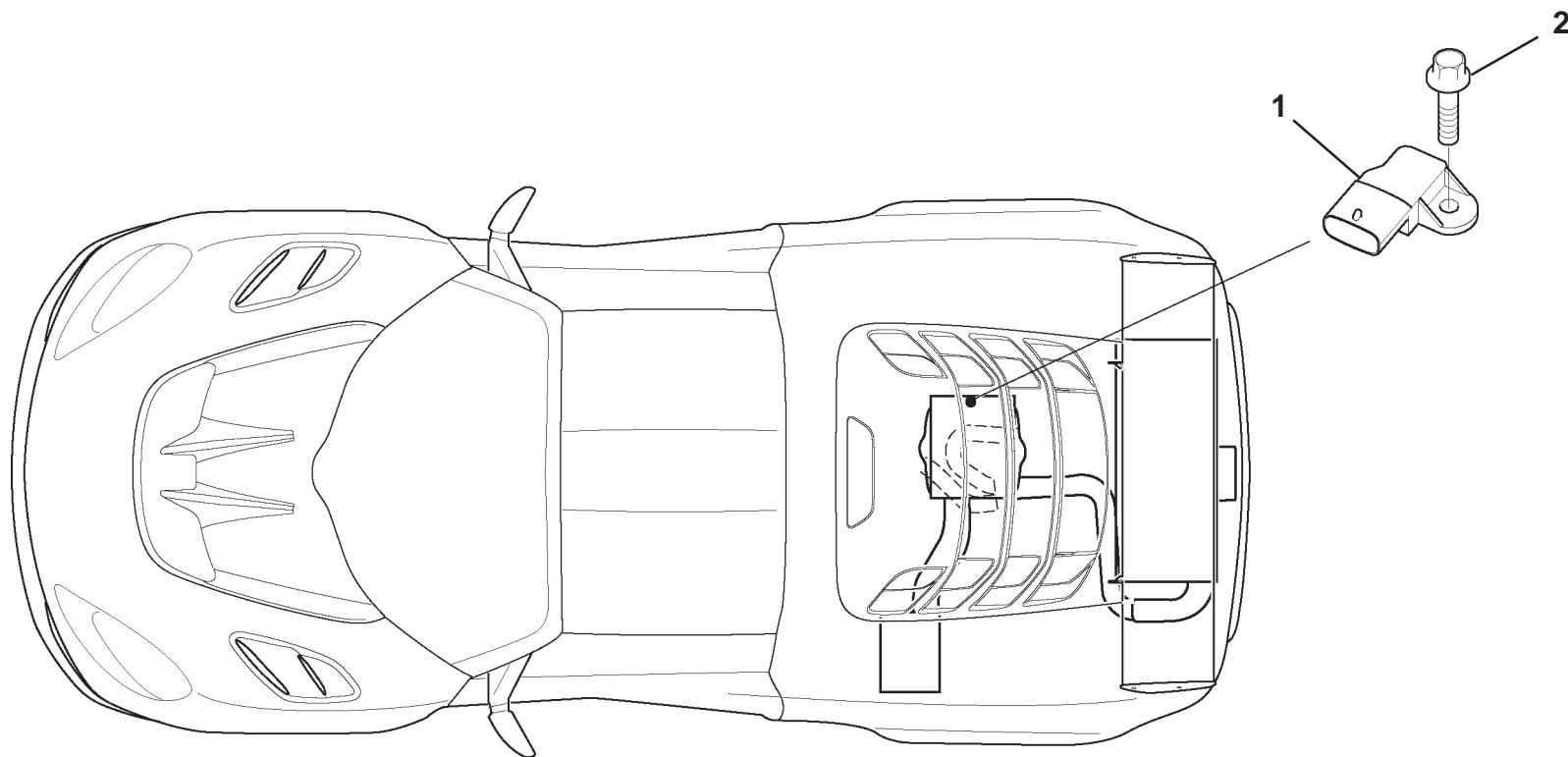
Service Parts List



Function Code 17.05 Interior Switches, Auxiliary Power Socket

<u>Dep</u>	<u>Part Description</u>	<u>Remarks</u>	<u>Option</u>	<u>Part Number</u>	<u>Qty</u>
01	Switch Assembly Traction Control			A138M0187F	1
02	Decal, switch traction control			A127B0123F	1
03	Knob, switch traction control			A138M0188F	1

Note: For common components
refer to Exige S parts list
A138T0325J



For common components refer to Exige S parts list A138T0325J

EXIGE *CUP*

17.06

Updated 30th July 2018

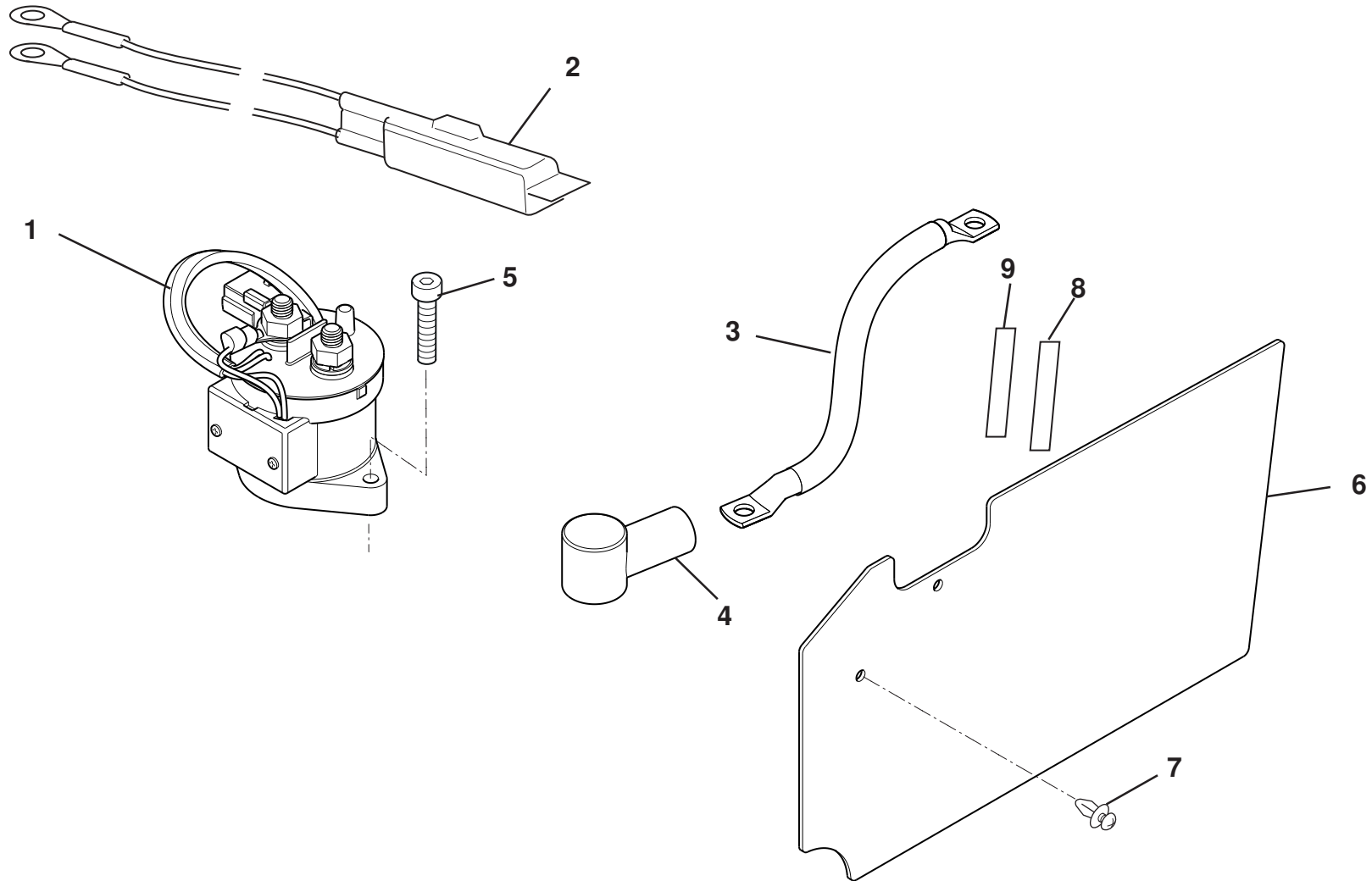
Service Parts List



Function Code 17.06 Engine Management & Sensors

<u>Dep</u>	<u>Part Description</u>	<u>Remarks</u>	<u>Option</u>	<u>Part Number</u>	<u>Qty</u>
01	Sensor, boost temp pressure		Cup 430	A116E6063F	1
02	Bolt M6 x 16, hex flg. hd.		Cup 430	A132W5003F	1

Note: For common components
refer to Exige S parts list
A138T0325J



For common components refer to Exige S parts list A138T0325J

EXIGE *CUP*

17.31

Updated 3rd July 2017

Service Parts List

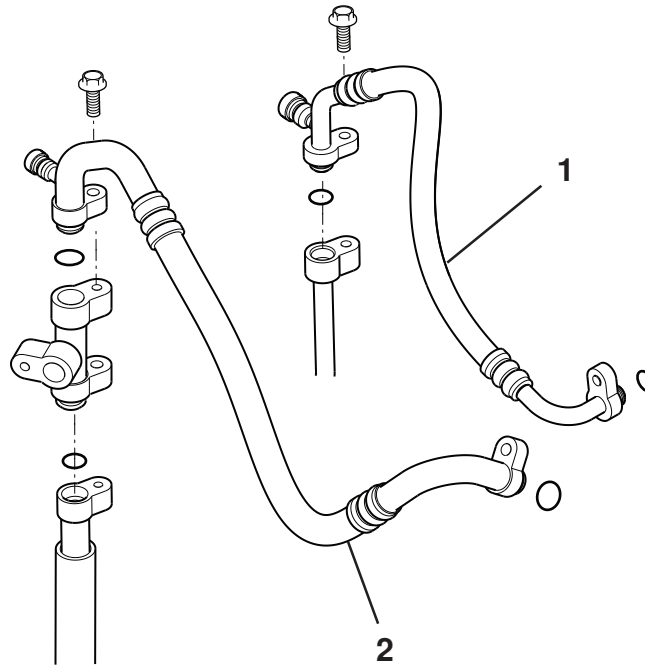


Function Code 17.31 Battery, Clamps & Cables

<u>Dep</u>	<u>Part Description</u>	<u>Remarks</u>	<u>Option</u>	<u>Part Number</u>	<u>Qty</u>
01	Battery Isolator Unit			A128M6001F	1
02	Battery Isolator Spike Suppressor			A128M6002F	1
03	Cable Battery Positive to Isolator A1			A708M0006F	1
04	Terminal Boot End			A138M6024F	2
05	Screw M5 x 25 skt cap hd			A132W7001F	2
06	Battery Cover, painted			A138V0880K	1
07	Scrivet			A100W6391F	2
08	Velcro			A116B1081V	80mm
09	Velcro			A116B1082V	80mm

Note: For common components
refer to Exige S parts list
A138T0325J





For common components refer to Exige S parts list A138T0325J

EXIGE *CUP*

18.04

Updated 2nd January 2018

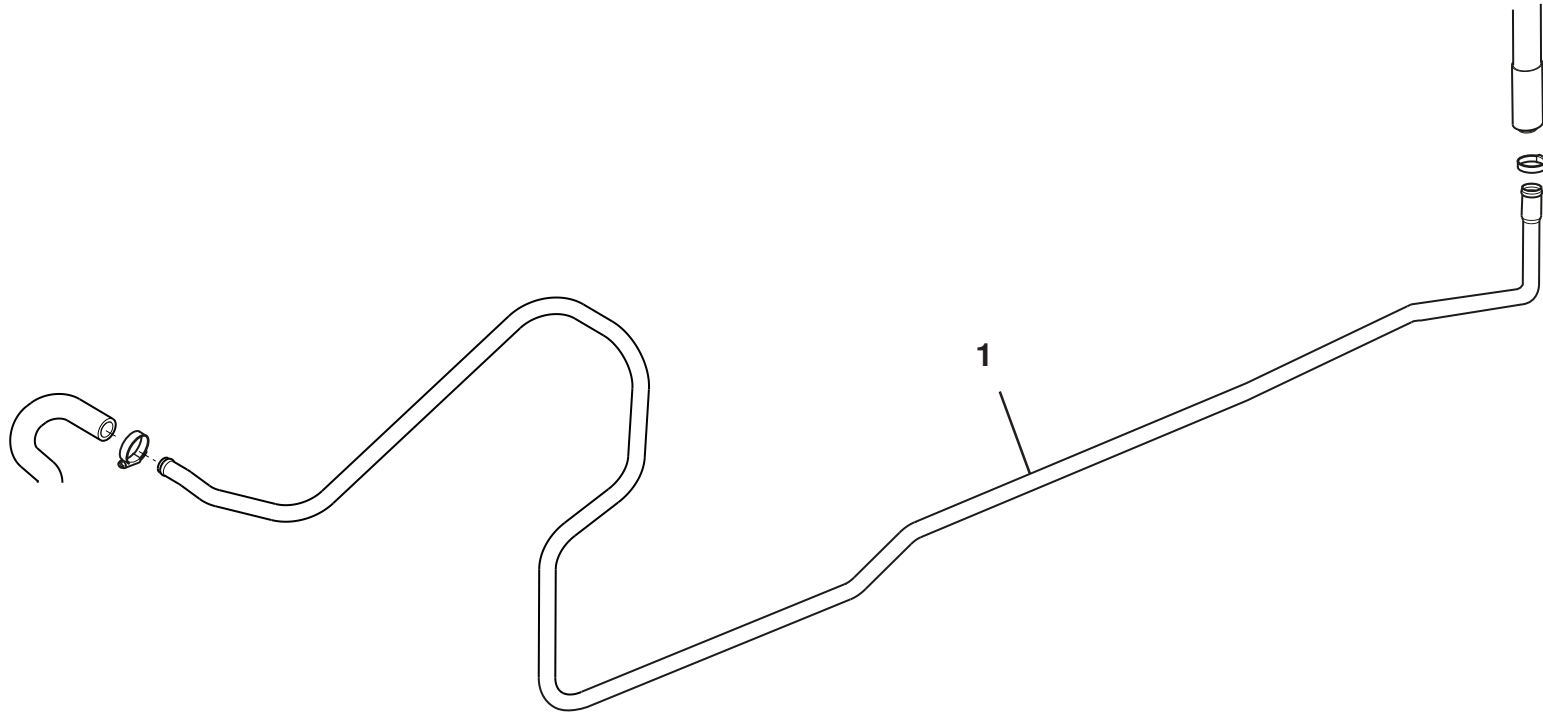
Service Parts List



Function Code 18.04 AC Components, Pipes, Hoses

<u>Dep</u>	<u>Part Description</u>	<u>Remarks</u>	<u>Option</u>	<u>Part Number</u>	<u>Qty</u>
01	Pipe Assembly Discharge, AC compressor	R134A gas	Cup 430 GCC	A138P0182F	1
02	Pipe Assembly Suction, AC compressor	R134A gas	Cup 430 GCC	A138P0150F	1

Note: For common components
refer to Exige S parts list
A138T0325J



For common components refer to Exige S parts list A138T0325J

EXIGE *CUP*

18.05

Updated 2nd January 2018

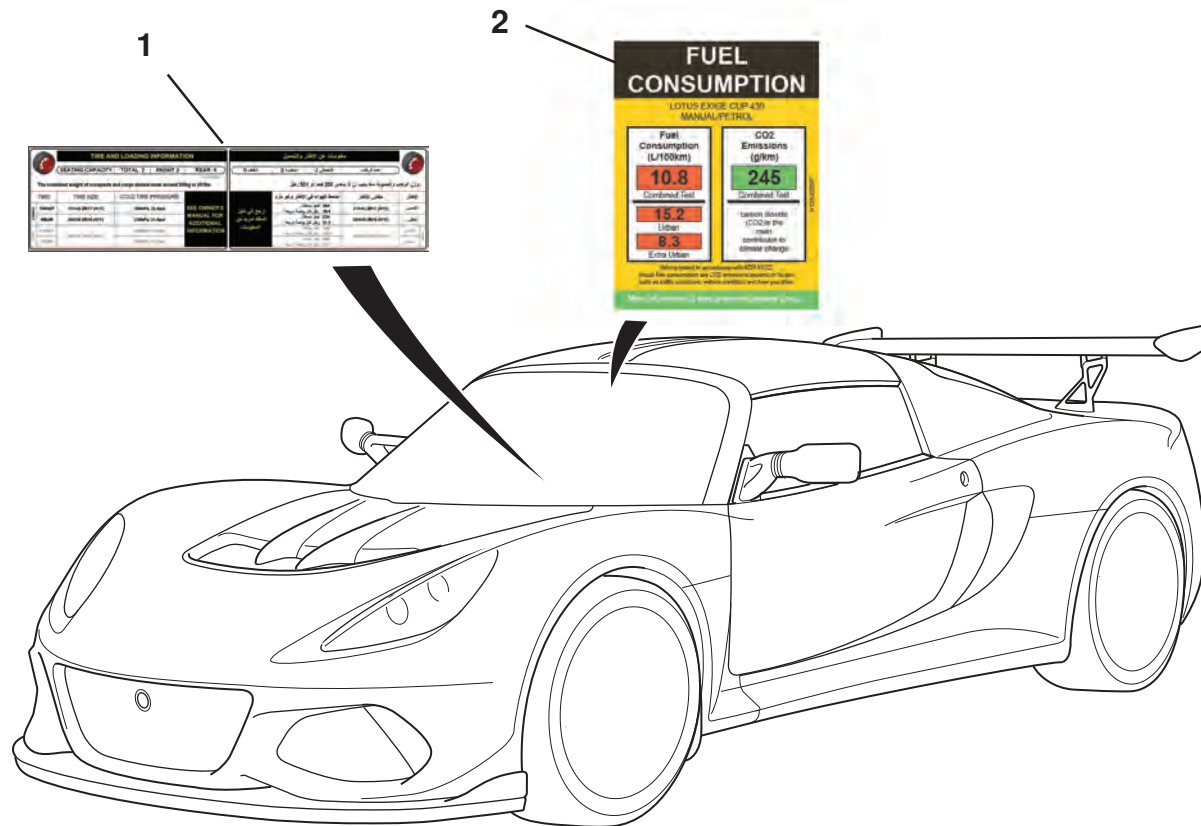
Service Parts List



Function Code 18.05 Heater, Pipes, Hoses

<u>Dep</u>	<u>Part Description</u>	<u>Remarks</u>	<u>Option</u>	<u>Part Number</u>	<u>Qty</u>
01	Pipe Heater Return		Cup 430	A138P0191F	1

Note: For common components
refer to Exige S parts list
A138T0325J



For common components refer to Exige S parts list A138T0325J

EXIGE *CUP*

19.01

Updated 2nd April 2018

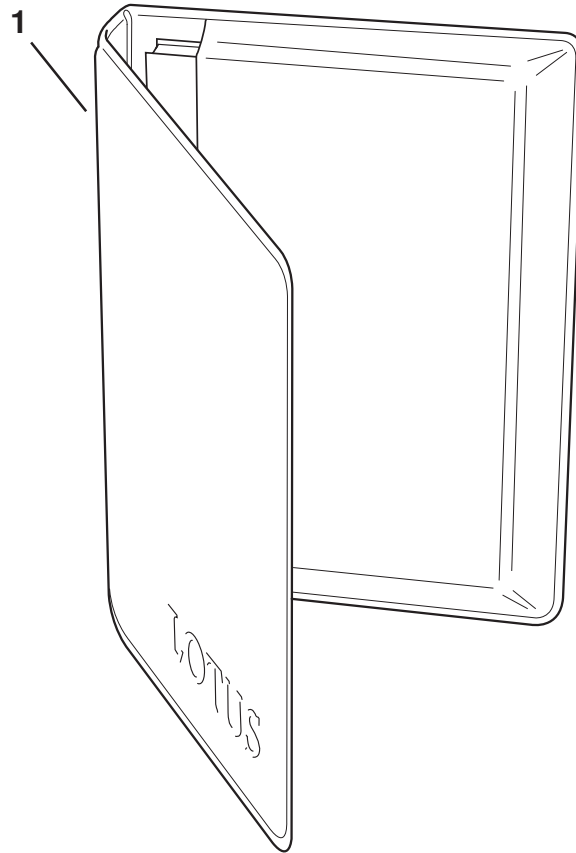
Service Parts List



Function Code 19.01 Labels, Certificates, Literature etc.

<u>Dep</u>	<u>Part Description</u>	<u>Remarks</u>	<u>Option</u>	<u>Part Number</u>	<u>Qty</u>
01	Label, tyre placard, Gulf States	On drivers door inner	Gulf States, Cup 380/430	A138U0030F	1
01b	Label, tyre loading, Australia	On drivers door inner	Australia, Cup 380/430	A138U0028F	1
02	Label, fuel consumption, Australia, manual		Australia, Cup 430	B138U0259F	1

Note: For common components
refer to Exige S parts list
A138T0325J



For common components refer to Exige S parts list A138T0325J

EXIGE *CUP*

19.03

Updated 30th October 2017

Service Parts List

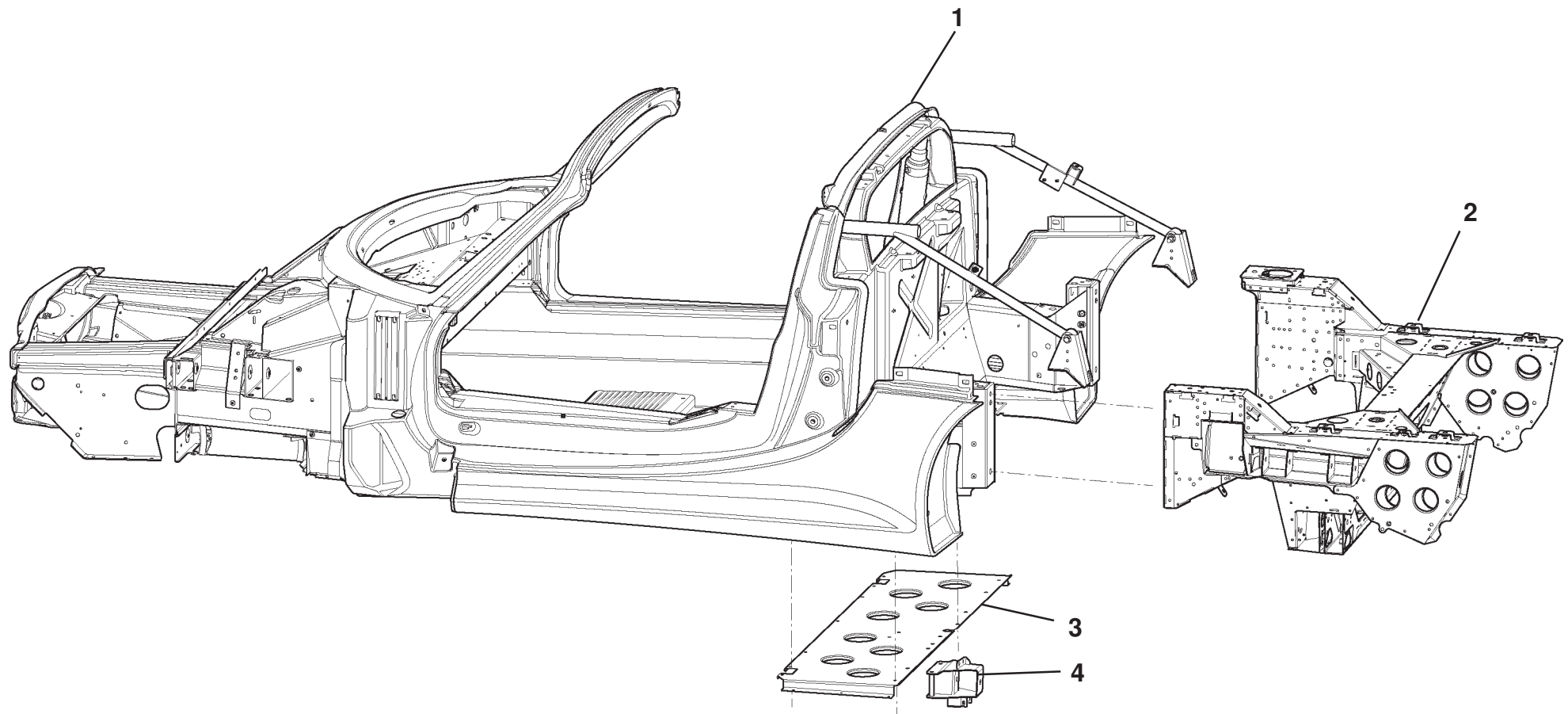


Function Code 19.03 Owner's Handbooks & Service Notes Manuals

<u>Dep</u>	<u>Part Description</u>	<u>Remarks</u>	<u>Option</u>	<u>Part Number</u>	<u>Qty</u>
01	Owner's Handbook, V6 Cup supplement	Download from Dealer Portal		A702T0002F	1
01a	Exige Sport Cup 380 Supplement	English language		LSL 652	1
01b	Exige Sport Cup 380 Supplement	French language		LSL 652F	1
01c	Exige Sport Cup 380 Supplement	German language		LSL 652D	1
01d	Exige Sport Cup 380 Supplement	Italian language		LSL 652I	1
01e	Exige Sport Cup 430 Supplement	English language		LSL 665	1
01f	Exige Sport Cup 430 Supplement	French language		LSL 665F	1
01g	Exige Sport Cup 430 Supplement	German language		LSL 665D	1
01h	Exige Sport Cup 430 Supplement	Italian language		LSL 665I	1

Note: For common components
refer to Exige S parts list
A138T0325J





For common components refer to Exige S parts list A138T0325J

EXIGE *CUP*

30.01

Updated 2nd January 2018

Service Parts List



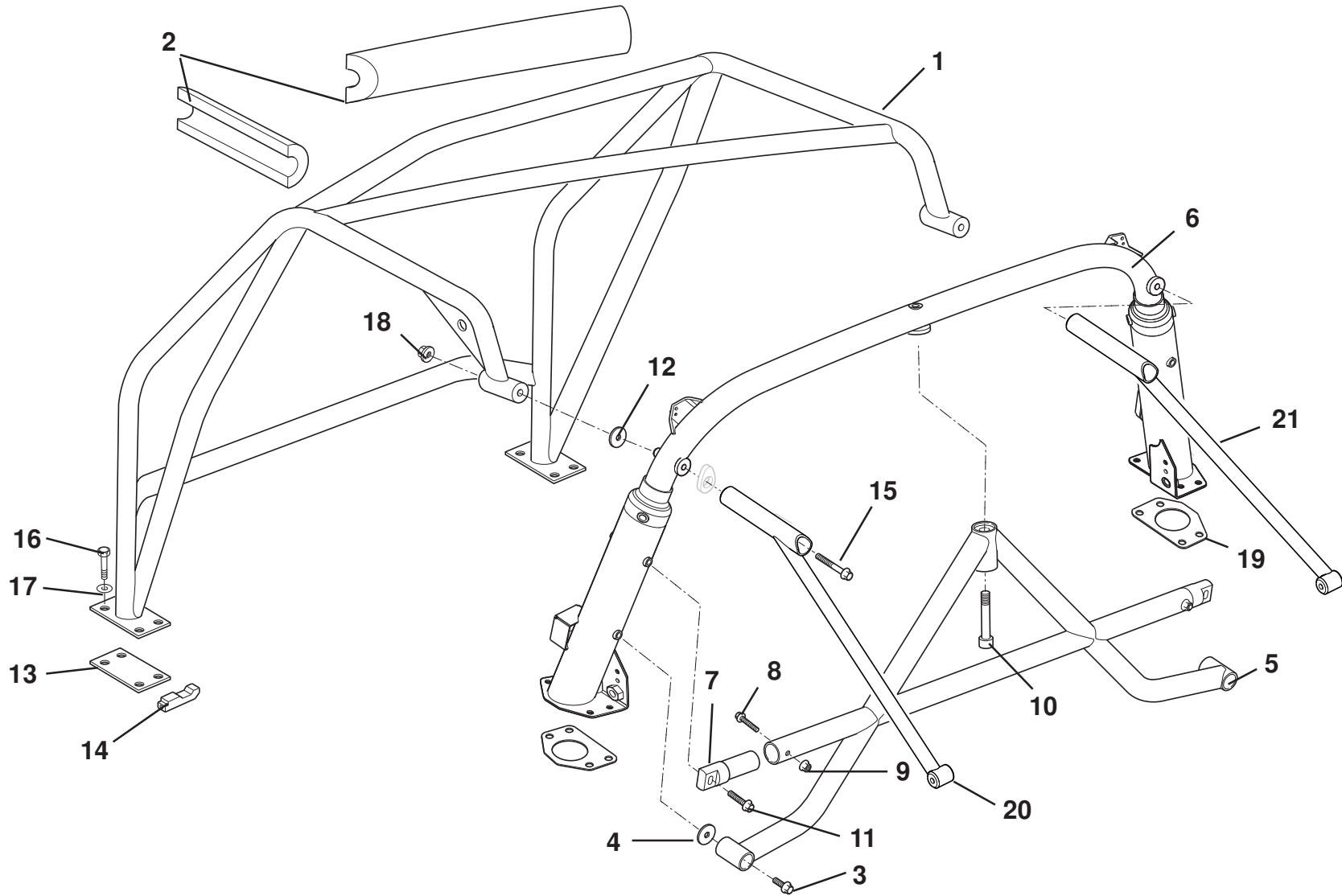
Function Code 30.01 Chassis, Subframes

<u>Dep</u>	<u>Part Description</u>	<u>Remarks</u>	<u>Option</u>	<u>Part Number</u>	<u>Qty</u>
01	Partial body LHD heater*			A702A0011S	1
01a	Partial body RHD heater*			A702A0012S	1
01b	Partial body LHD A/C*			A702A0013S	1
01c	Partial body RHD A/C*			A702A0014S	1
01d	Partial body LHD heater*		Cup 380		1
01e	Partial body RHD heater*		Cup 380		1
01f	Partial body LHD A/C*		Cup 380	A138A4213S	1
01g	Partial body RHD A/C*		Cup 380	A138A4214S	1
01h	Partial body LHD heater*		Cup 380,430 Vin HH__1450 & from Vin HH__1456 on		1
01i	Partial body RHD heater*		Cup 380,430 Vin HH__1450 & from Vin HH__1456 on		1
01j	Partial body LHD A/C*		Cup 380,430 Vin HH__1450 & from Vin HH__1456 on		1
01k	Partial body RHD A/C*		Cup 380,430 Vin HH__1450 & from Vin HH__1456 on		1
02	Assembly Rear Subframe		Cup 380	A138A0515J	1
02a	Assembly Rear Subframe		Cup 430	F138A0196J	1
03	Assembly Shear Panel, tank bay		Cup 430	A138A0527G	1
04	Bracket Assembly Mounting, rear wishbone lower LH	Addition mount for oil cooler	Cup 430	A138A0522F	1



Function Code 30.01 Chassis, Subframes

<u>Dep</u>	<u>Part Description</u>	<u>Remarks</u>	<u>Option</u>	<u>Part Number</u>	<u>Qty</u>
		Note: For common components refer to Exige S parts list A138T0325J			
		*Use order form LSL631			



For common components refer to Exige S parts list A138T0325J

EXIGE *CUP*

30.02

Updated 2nd January 2018

Service Parts List



Function Code 30.02 Seat Belt Mounting Frames, Stays

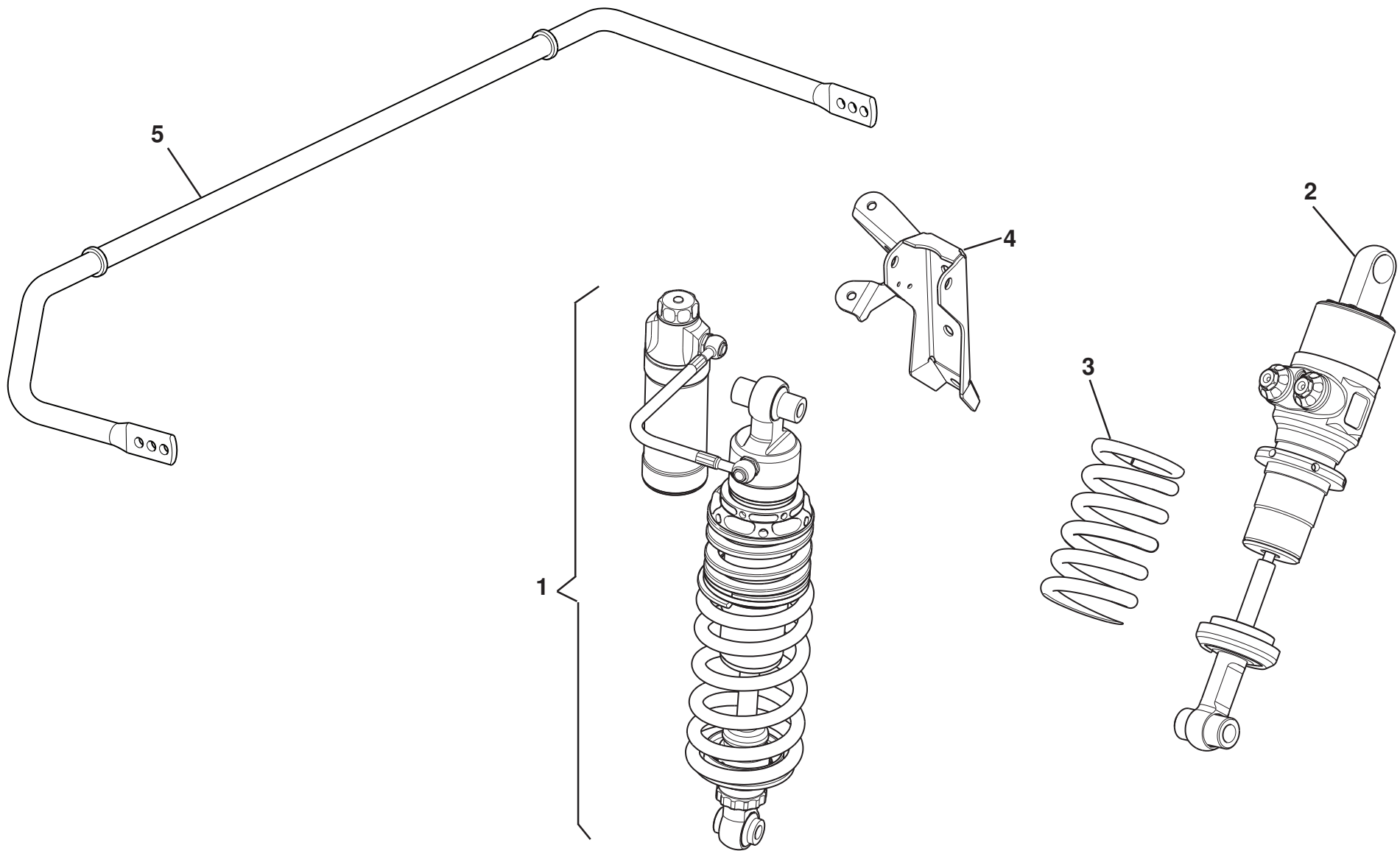
<u>Dep</u>	<u>Part Description</u>	<u>Remarks</u>	<u>Option</u>	<u>Part Number</u>	<u>Qty</u>
01	Cage Frt FIA LHD, FIA approved			A702A4003F	1
01a	Cage Frt FIA RHD, FIA approved			A702A4004F	1
02	Padding, rool hoop			A128B0072F	1
03	Screw, M10 x 40, hex. flg. hd., bar to frame			A132W2044F	2
04	Washer, flat, M10 x 38, bar to frame			A122A0033F	2
05	'A' Frame T45			A128A0012F	1
06	Roll Hoop T45			C122A0046F	1
07	Mounting Spigot, bar to Seat Belt Mounting Frame			A128A0013F	2
08	Bolt, M8 x 50, hex. flg. hd., spigot to bar			A132W2014F	2
09	Nut, flange, M8, spigot to bar			A111W3154F	2
10	Bolt, M16 x 70, frame to Seat Belt Mounting Frame T45			A128A6003F	1
11	Bolt, M10 x 45, spigot to Seat Belt Mounting Frame T45			A132W2005F	2
12	Washer, flat, M10 x 20.5 x 1.5			A075W4024Z	2
13	Spreader Plate			A128B0069F	2
14	Nut Plate			A128B0070F	2
15	Bolt M10 x 90			A702A6001F	2
16	Bolt, M8 x 25, foot plate			A120W1001F	8
17	Washer M8			A075W4020Z	8



Function Code 30.02 Seat Belt Mounting Frames, Stays

<u>Dep</u>	<u>Part Description</u>	<u>Remarks</u>	<u>Option</u>	<u>Part Number</u>	<u>Qty</u>
18	Nut M10			B111W3151F	2
19	Shim Roll Hoop			A128B0073F	2
20	SBAF Assembly LH		Cup 430	A138A0525F	1
21	SBAF Assembly RH		Cup 430	A138A0524F	1

Note: For common components
refer to Exige S parts list
A138T0325J



For common components refer to Exige S parts list A138T0325J

EXIGE *CUP*

31.01

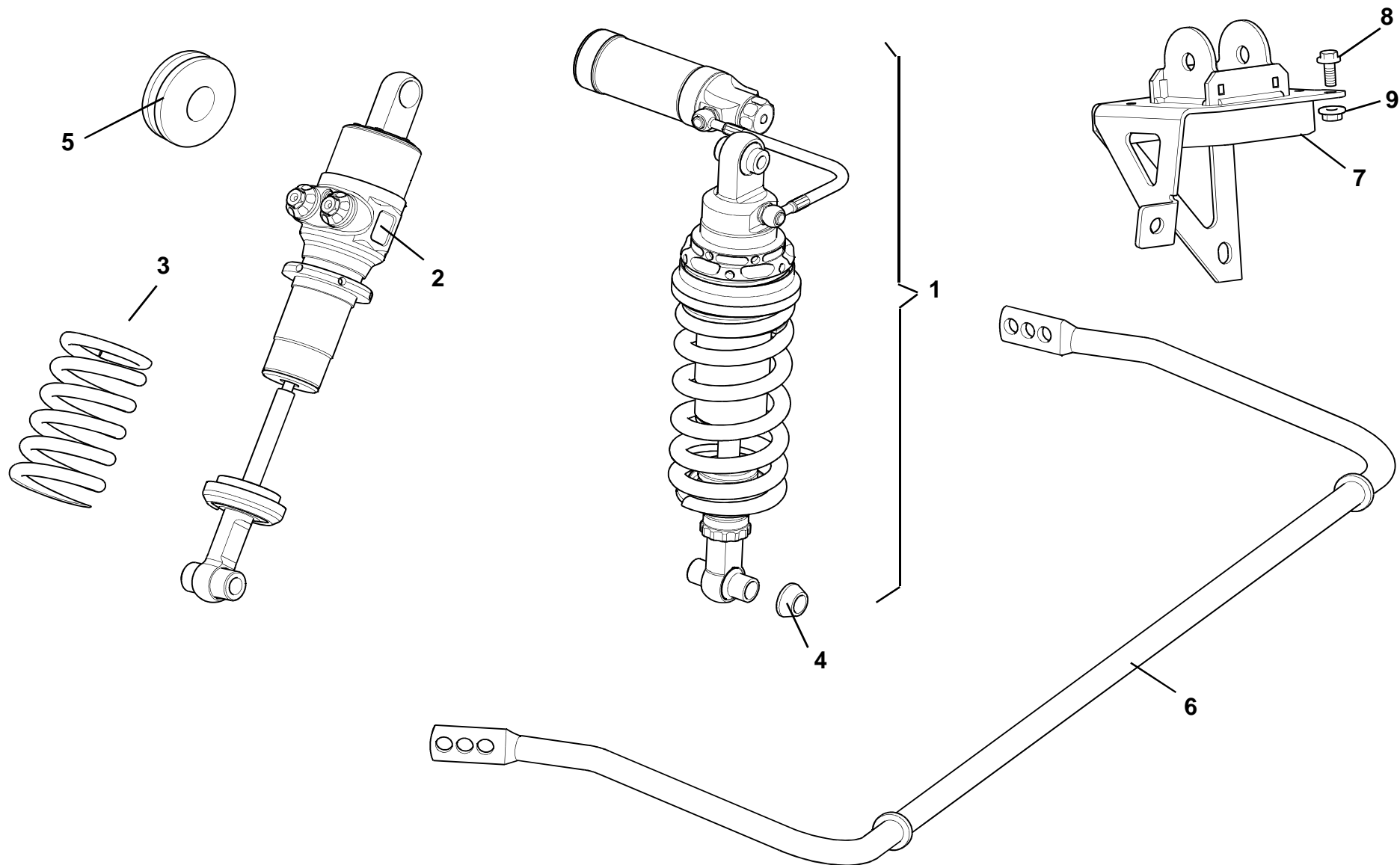
Service Parts List



Function Code 31.01 Front Suspension, Incl. Hubs

<u>Dep</u>	<u>Part Description</u>	<u>Remarks</u>	<u>Option</u>	<u>Part Number</u>	<u>Qty</u>
01	Assembly Spring and Damper Front, 2 way	Nitron 2 way	Exige S Cup, Cup 360, Cup 380	A702C0001F	2
01a	Assembly Spring and Damper Front, 3 way	Nitron 3 way, additional adjuster on reservoir	Cup 430	A138C0096F	2
02	Front Damper	Ohlins TTX 2 way	Optional Exige S Cup	A702C0002F	2
03	Front Spring	Ohlins TTX 2 way	Optional Exige S Cup	A702C6000F	2
04	Bracket Assembly Front Damper Mounting LH			A702C4001F	1
04a	Bracket Assembly Front Damper Mounting RH			A702C4002F	1
05	Adjustable anti-roll bar		Cup 360/380/430	A703C0001F	1

Note: For common components refer to Exige S parts list A138T0325J



For common components refer to Exige S parts list A138T0325J

EXIGE *CUP*

31.03

Updated 1st April 2019

Service Parts List

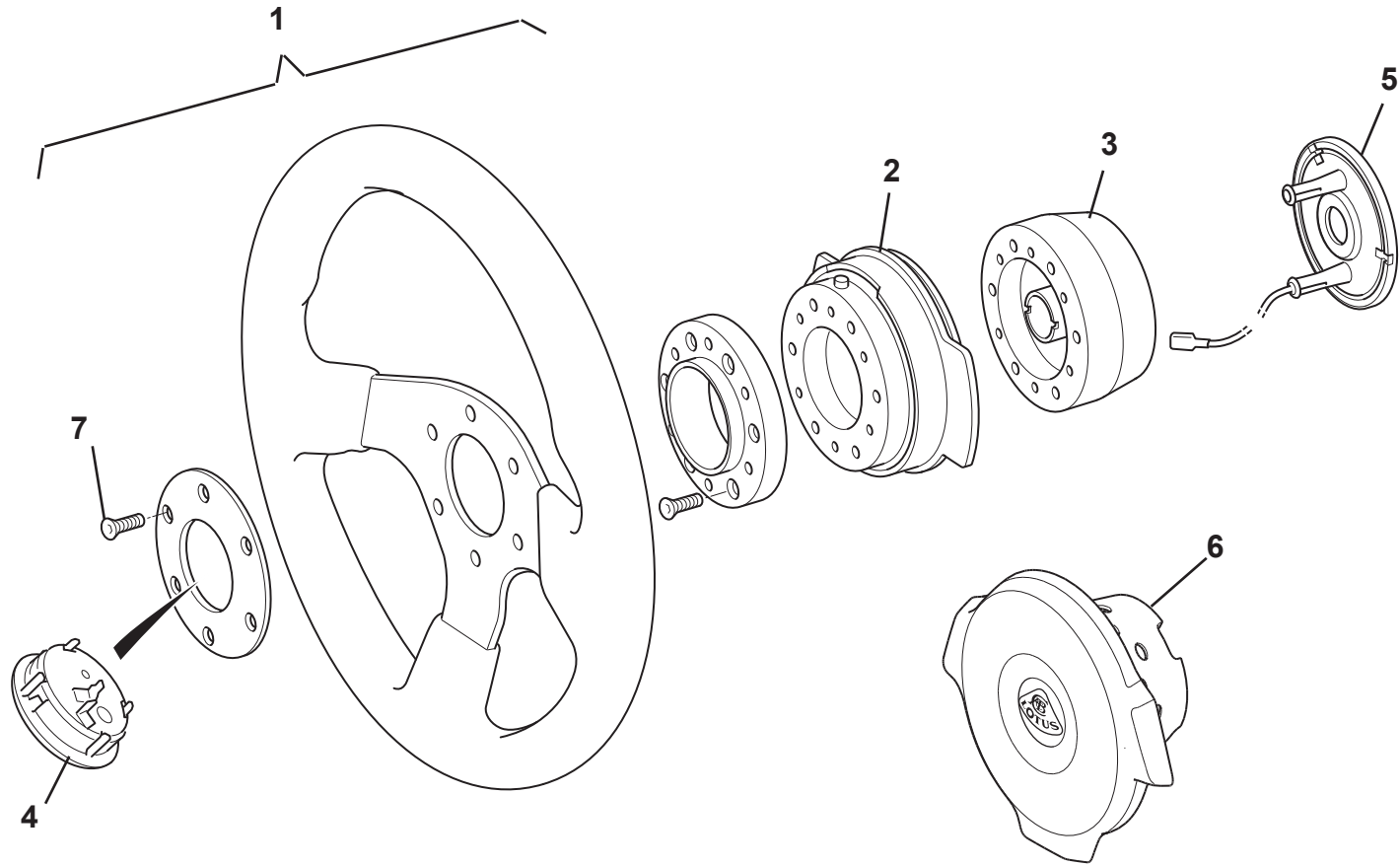


Function Code 31.03 Rear Suspension, Incl. Hubs

<u>Dep</u>	<u>Part Description</u>	<u>Remarks</u>	<u>Option</u>	<u>Part Number</u>	<u>Qty</u>
01	Assembly Spring and Damper Rear	Nitron 2 way	Exige S Cup, Cup 360, Cup 380	A702D0001F	2
01a	Assembly Spring and Damper Rear	Nitron 3 way, additional adjuster on reservoir	Cup 430	A138D0115F	2
02	Rear Damper	Ohlins TTX 2 way	Optional Exige S Cup	A702D0002F	2
03	Rear Spring	Ohlins TTX 2 way	Optional Exige S Cup	A702D0003F	2
04	Spacer Damper Mounting Lower	Ohlins TTX 2 way	Optional Exige S Cup	A702D0004F	2
05	Grommet, bootbox	Nitron		A702B6000F	2
06	Adjustable anti-roll bar		Cup 360/380/430	A703D0001F	1
07	Bracket Assembly Top Damper Mount LH		Cup 380/430	A138D4039G	1
07a	Bracket Assembly Top Damper Mount RH		Cup 380/430	A138D4040G	1
08	Screw M6 x 20, hex flg hd			A132W5004F	1
09	Nut M6 hex flg			A117W3180F	1

Note: For common components refer to Exige S parts list
A138T0325J





For common components refer to Exige S parts list A138T0325J

EXIGE *CUP*

32.05

Updated 20th July 2020

Service Parts List

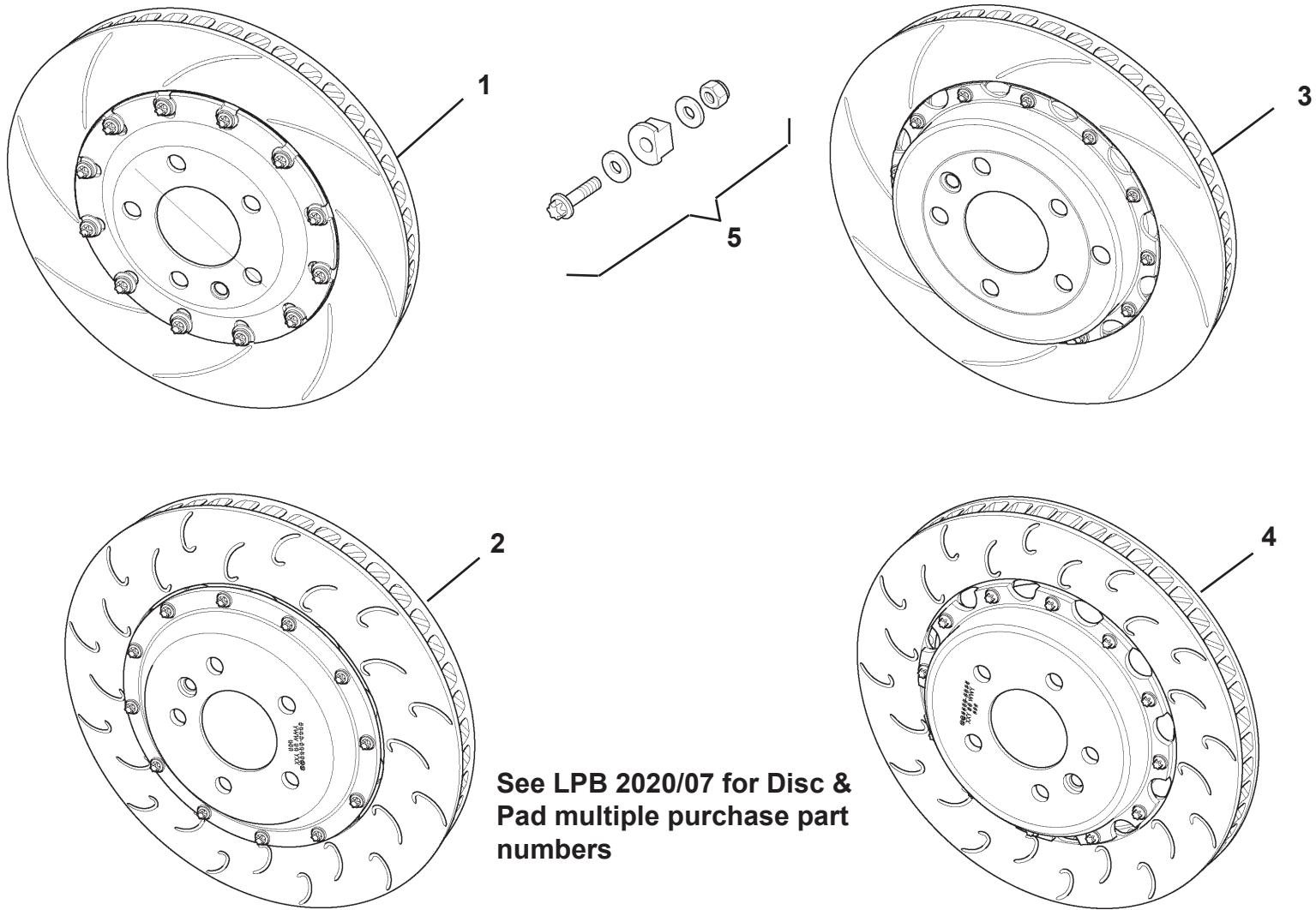


Function Code 32.05 Upper Column, Steering Wheel

<u>Dep</u>	<u>Part Description</u>	<u>Remarks</u>	<u>Option</u>	<u>Part Number</u>	<u>Qty</u>
01	Steering Wheel Removable			A702H6000F	1
02	Boss Steering Wheel Mounting			A702H6001F	1
03	Hub Steering Wheel Mounting			A702H0001F	1
04	Horn Push, Lotus logo, double contact			A111H6024S	1
05	Horn Contact Plate			A111H6008F	1
06	Boss, foam, non-airbag			A128B0163J	1
07	Screw M5 x 16 btn hd blk			A111W7156F	6

Note: For common components
refer to Exige S parts list
A138T0325J





See LPB 2020/07 for Disc & Pad multiple purchase part numbers

For common components refer to Exige S parts list A138T0325J

EXIGE *CUP*

33.01

Service Parts List



Function Code 33.01 Brake Discs, Calipers, & Parking Brake Assembly

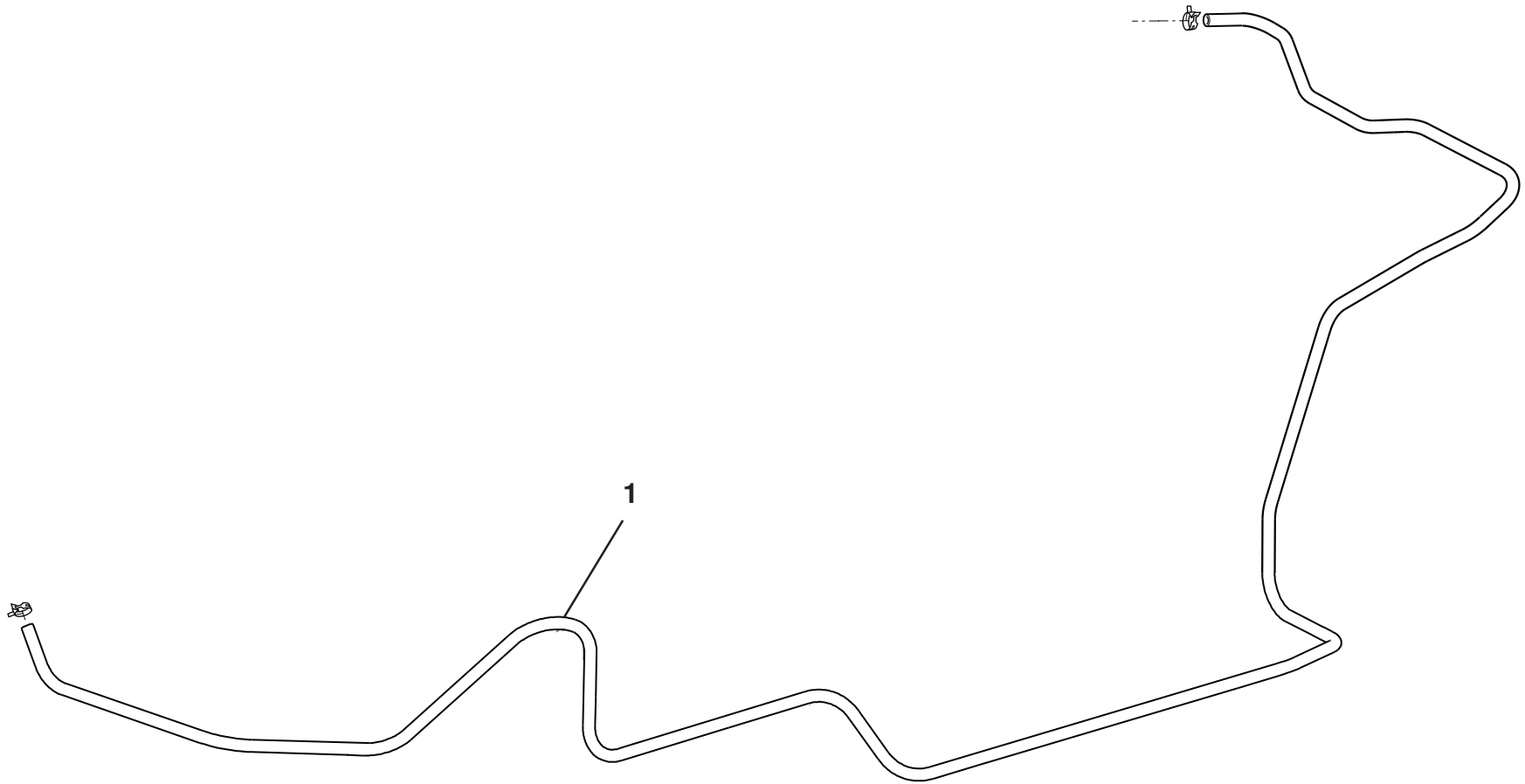
<u>Dep</u>	<u>Part Description</u>	<u>Remarks</u>	<u>Option</u>	<u>Part Number</u>	<u>Qty</u>
01	Brake Disc front, 2 piece grooved, LH	Not available as single disk see 01b	Cup 360	A703J4001F	1
01a	Brake Disc front, 2 piece grooved, RH	Not available as single disk see 01b	Cup 360	A703J4002F	1
01b	Brake Discs front, 2 piece grooved, (Pair)	For multiple purchase part numbers see LPB 2020/07	Cup 360	A703J4001/02F/1	1
01c	Brake Disc front, 2 piece grooved, LH	Not available as single disk see 01e	Cup 380	A138J4100F	1
01d	Brake Disc front, 2 piece grooved, RH	Not available as single disk see 01e	Cup 380	A138J4099F	1
01e	Brake Discs front, 2 piece grooved, (Pair)	For multiple purchase part numbers see LPB 2020/07	Cup 380	A138J4099/00F/1	1
02	Brake Disc front, 2 Piece J Hook, LH	Not available as single disk see 02b	Cup 430	A138J4021F	1
02a	Brake Disc Front, 2 Piece J Hook, RH	Not available as single disk see 02b	Cup 430	A138J4022F	1
02b	Brake Discs Front, 2 Piece J Hook, (Pair)	For multiple purchase part numbers see LPB 2020/07	Cup 430	A138J4021/22F/1	1
03	Brake Disc rear, 2 piece grooved, LH	Not available as single disk see 03b	Cup 360/380	A703J4003F	1
03a	Brake Disc rear, 2 piece grooved, RH	Not available as single disk see 03b	Cup 360/380	A703J4004F	1
03b	Brake Discs rear, 2 piece grooved, (Pair)	For multiple purchase part numbers see LPB 2020/07	Cup 360/380	A703J4003/04F/1	1



Function Code 33.01 Brake Discs, Calipers, & Parking Brake Assembly

<u>Dep</u>	<u>Part Description</u>	<u>Remarks</u>	<u>Option</u>	<u>Part Number</u>	<u>Qty</u>
04	Brake Disc rear, 2 Piece J Hook, LH	Not available as single disk see 04b	Cup 430	A138J4023F	1
04a	Brake Disc rear, 2 Piece J Hook, RH	Not available as single disk see 04b	Cup 430	A138J4024F	1
04b	Brake Discs rear, 2 Piece J Hook, (Pair)	For multiple purchase part numbers see LPB 2020/07	Cup 430	A138J4023/24F/1	1
05	Bobbin Mounting Kit, (single disc)	For items 01 - 01b	Cup 360	A703J6001F	1

Note: For common components refer to Exige S parts list A138T0325J



For common components refer to Exige S parts list A138T0325J

EXIGE *CUP*

33.03

Updated 2nd January 2018

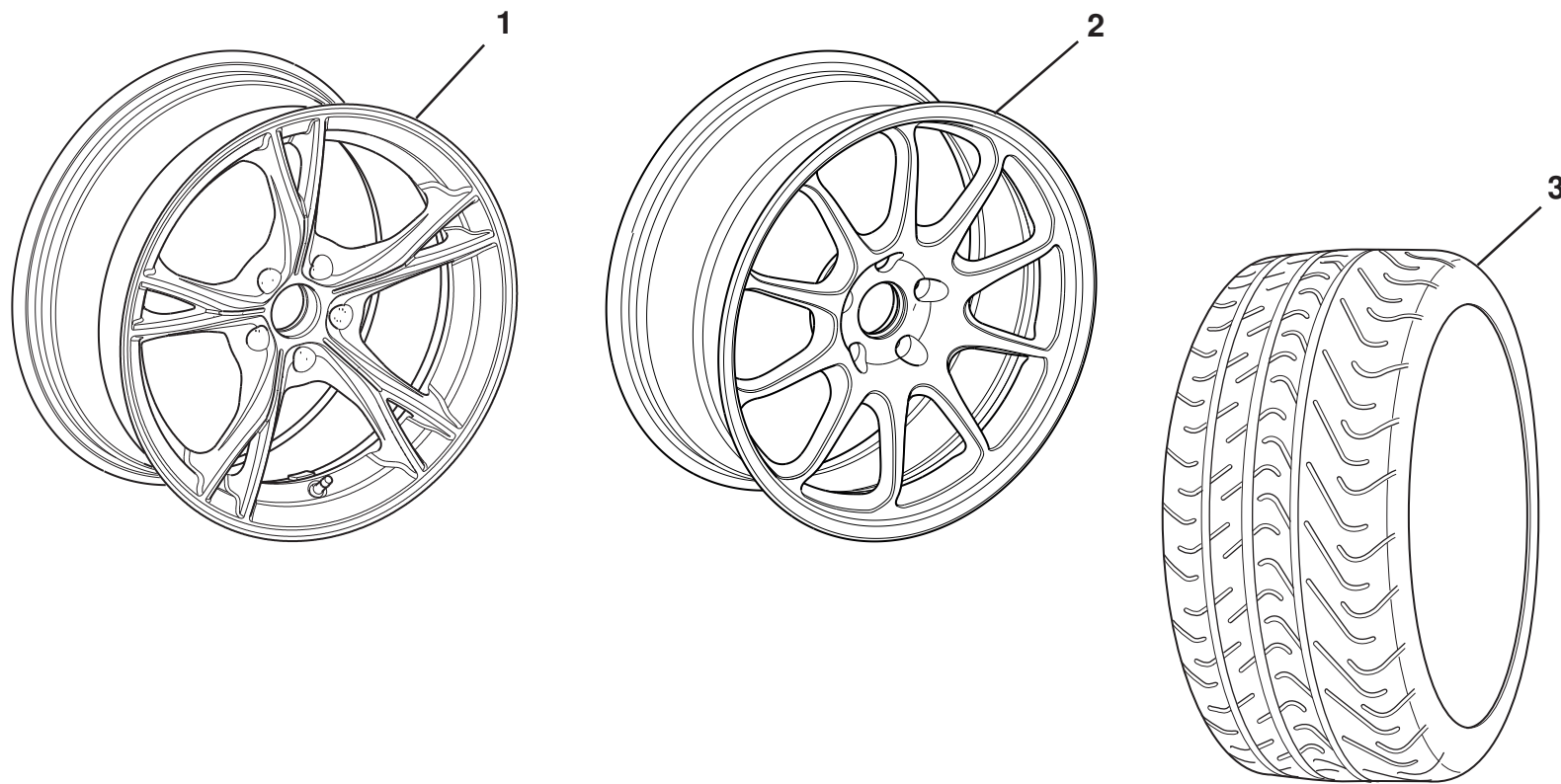
Service Parts List



Function Code 33.03 Master Cylinder, Servo, ABS Controller, Pipes & Hoses

<u>Dep</u>	<u>Part Description</u>	<u>Remarks</u>	<u>Option</u>	<u>Part Number</u>	<u>Qty</u>
01	Vacuum Hose Side LHD	Shorten by 100mm	Cup 430	A138J0005F	1
01a	Vacuum Hose Side RHD	Shorten by 100mm	Cup 430	A138J0008F	1

Note: For common components
refer to Exige S parts list
A138T0325J



For common components refer to Exige S parts list A138T0325J

EXIGE *CUP*

34.01

Updated 2nd May 2017

Service Parts List



Function Code 34.01 Wheels, Tyres & Valves

<u>Dep</u>	<u>Part Description</u>	<u>Remarks</u>	<u>Option</u>	<u>Part Number</u>	<u>Qty</u>
01	Wheel Front 7.5J x 17 ET26.3, five Y spoke cast satin black		V6 Cup	A702G0001F	2
01a	Wheel Front 7.5J x 17 ET26.3, five Y spoke cast candy red		Cup 360	A702G0009F	2
01b	Wheel Rear 9.5J x 18 ET35, five Y spoke cast satin black		V6 Cup	A702G0002F	2
01c	Wheel Rear 9.5J x 18 ET35, five Y spoke cast candy red		Cup 360	A702G0010F	2
02	Wheel Front 7.5J x 17 ET26, ten spoke forged, HP silver		Cup 380/430	A138G0130F	2
02a	Wheel Front 7.5J x 17 ET26, ten spoke forged, satin black		Cup 380/430	B138G0112F	2
02b	Wheel Front 7.5J x 17 ET26, ten spoke forged, candy red		Cup 380/430	A138G0156F	2
02c	Wheel Front 7.5J x 17 ET26, ten spoke forged, black d/cut		Cup 430, type 25 edition	A138G0178S	2
02d	Wheel Rear 10J x 18 ET32 ten spoke forged, HP silver		Cup 380/430 only	A138G0076F	2
02e	Wheel Rear 10J x 18 ET32 ten spoke forged, satin black		Cup 380/430 only	A138G0075F	2
02f	Wheel Rear 10J x 18 ET32 ten spoke forged , candy red		Cup 380/430 only	A138G0157F	2
02g	Wheel Rear 10J x 18 ET32 ten spoke forged, black d/cut		Cup 430, type 25 edition	A138G0179S	2
03	Tyre Front 215 45 R17 Micheln Cup 2		Cup 380/430	A138G0120F	2
03a	Tyre Rear 285 30 R18 Micheln Cup 2		Cup 380/430 only	A138G0066F	2

Note: For common components
refer to Exige S parts list
A138T0325J





A138G0019F 7.5 x 17
A138G0024F 9.5 x 18
Gloss Black



A138G0020F 7.5 x 17
A138G0052F 9.5 x 18
Silver



A138G0001F 7.5 x 17
A138G0002F 9.5 x 18
Gloss Black
(Diamond Cut)



A138G0068F 7.5 x 17
A138G0069F 9.5 x 18
Gold (LF1)



A702G0001F 7.5 x 17
A702G0002F 9.5 x 18
Satin Black



A702G0009F 7.5 x 17
A702G0010F 9.5 x 18
Candy Red (Cup 360)



A138G0065F 7.5 x 17
Red (GCC Spare)



B138G0007F 7.5 x 17
C138G0008F 8.0 x 18
(Winter)



A138G0081S 7.5 x 17
A138G0082S 10 x 18
Gold (Diamond Cut
Sport 380 GP)



B138G0112F 7.5 x 17
B138G0113F 10 x 18
A138G0075F 10 x 18
Satin Black



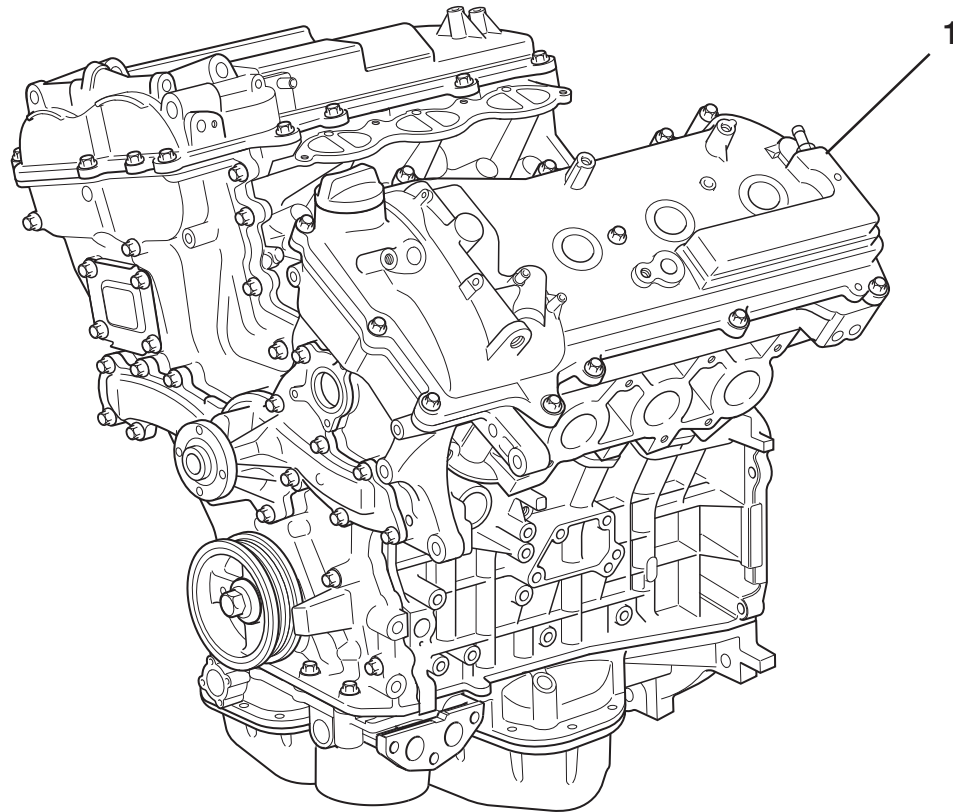
A138G0130F 7.5 x 17
A138G0131F 10 x 18
A138G0076F 10 x 18
HP Silver



A138G0156F 7.5 x 17
A138G0157F 10 x 18
Candy Red



A138G0178S 7.5 x 17
A138G0179S 10 x 18
Black (Diamond Cut
(CUP 430 type 25)



For common components refer to Exige S parts list A138T0325J

EXIGE *CUP*

40.00

Updated 2nd January 2018

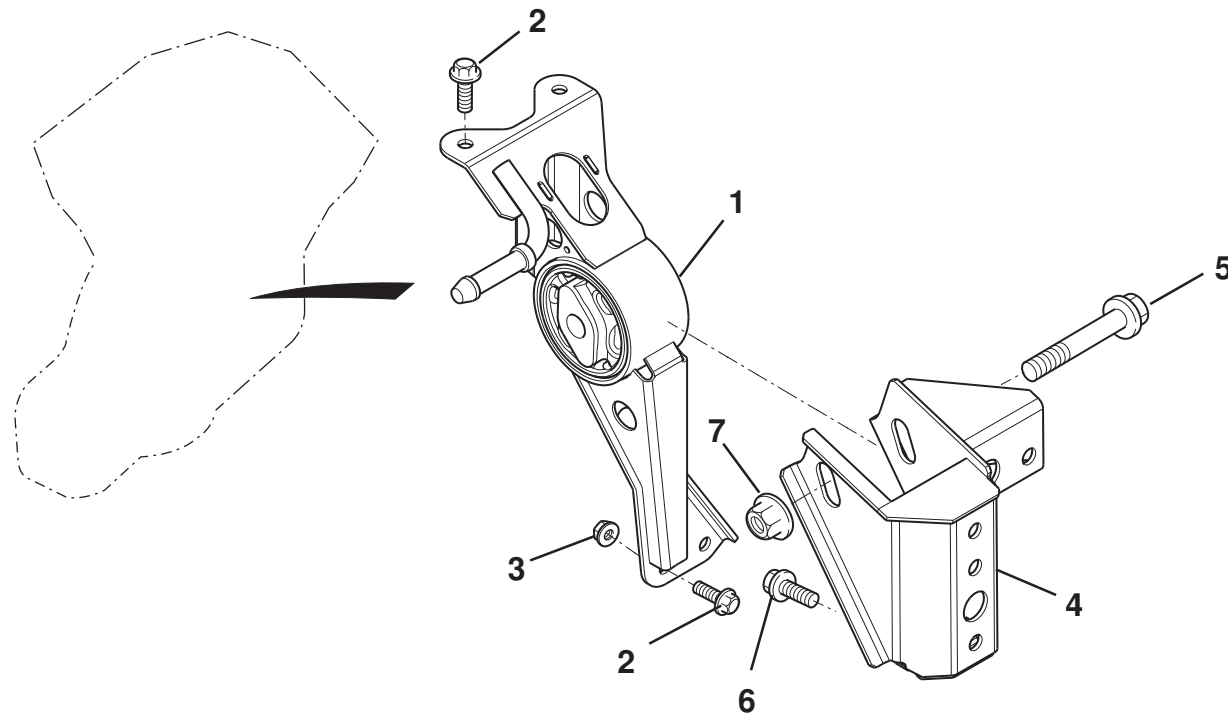
Service Parts List



Function Code 40.00 Engine Assemblies

<u>Dep</u>	<u>Part Description</u>	<u>Remarks</u>	<u>Option</u>	<u>Part Number</u>	<u>Qty</u>
01	Engine, short block assy.		Cup 430		1
01a	Engine Assembly, 2GR-FE, baffled sump	Dressed, Supercharged	Cup 430		1





CUP 430

EXIGE *CUP*

40.01a

Updated 1st May 2018

Service Parts List

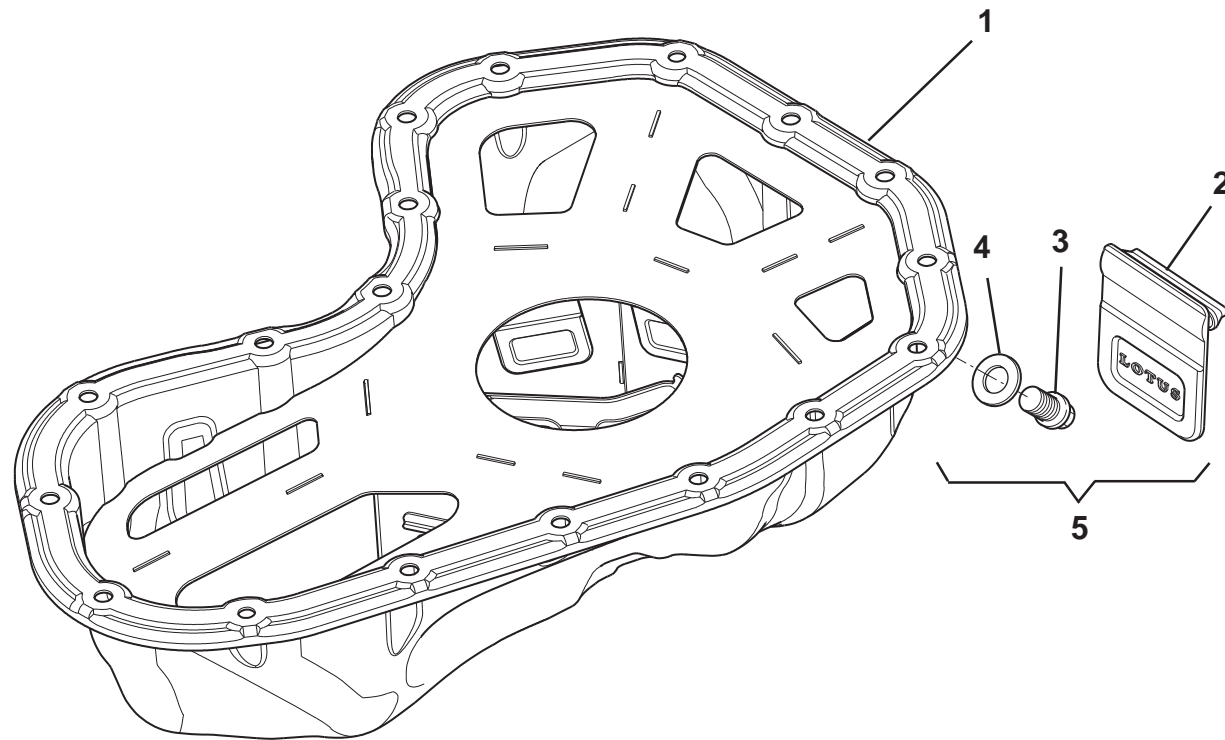


Function Code 40.01a Engine Mounts

<u>Dep</u>	<u>Part Description</u>	<u>Remarks</u>	<u>Option</u>	<u>Part Number</u>	<u>Qty</u>
01	Insulator/Bracket Assembly, engine mount rear		Cup 430	D132A0576J	1
02	Screw, M8 x 20, hex. flg. hd.,			A132W5005F	5
03	Nut, M8, flg., bracket to subframe			A132W3006F	2
04	Bracket, insulator to transmission, rear		Cup 430	A132A0607F	1
05	Bolt M14 x 90 hex. flg. hd., bracket to insulator rear		Cup 430	A138W6022F	1
06	Bolt M10 x 25, hex. flg. hd., bracket to transmission			A132F6014H	4
07	Nut M14 hex flg		Cup 430	A132W3011F	1

Note: For common components
refer to Exige S parts list
A138T0325J





For common components refer to Exige S parts list A138T0325J

EXIGE *CUP*

40.03

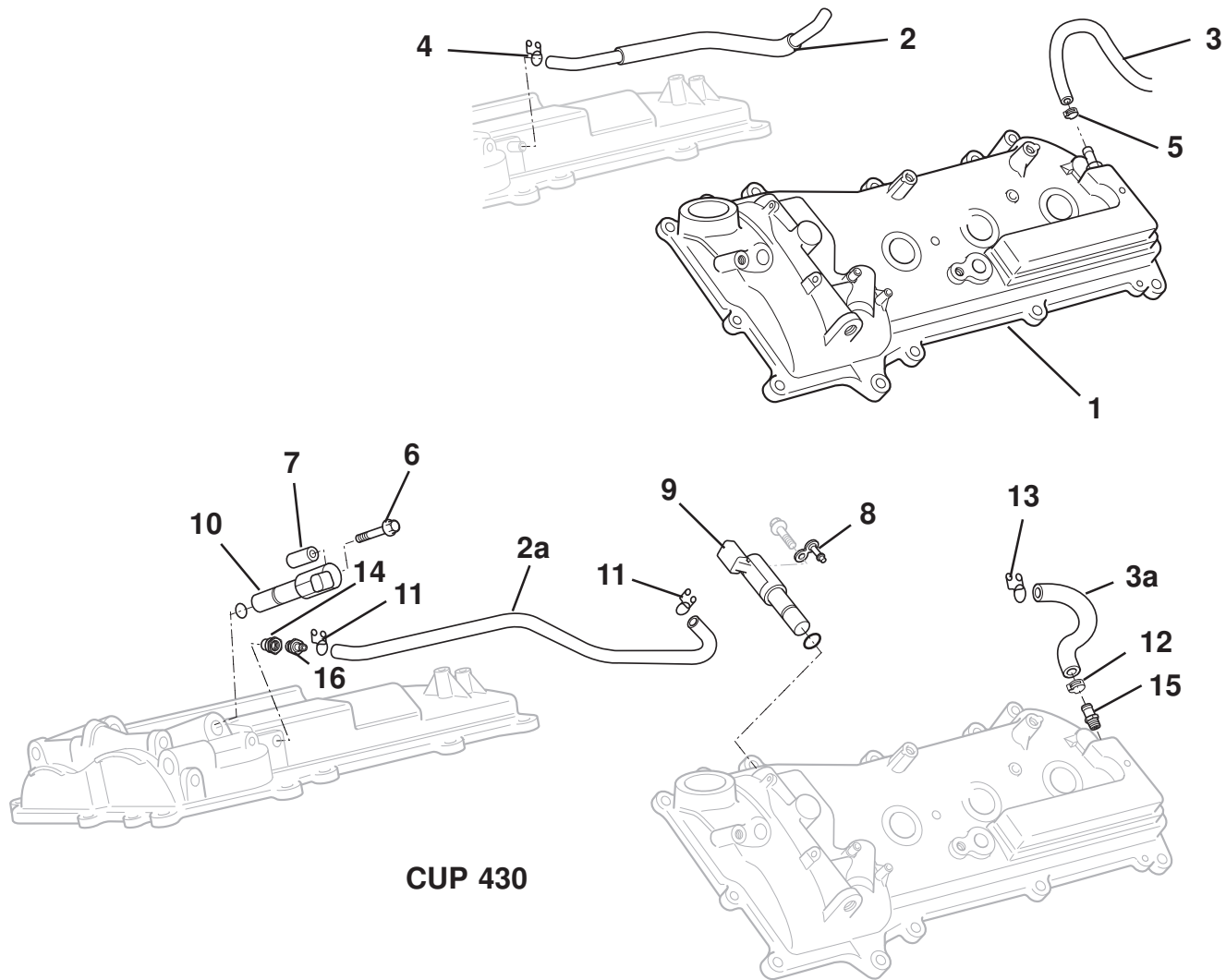
Updated 1st October 2018

Service Parts List



Function Code 40.03 Sump Assembly

<u>Dep</u>	<u>Part Description</u>	<u>Remarks</u>	<u>Option</u>	<u>Part Number</u>	<u>Qty</u>
01	Baffled Sump Assembly, fabricated			A702E0002J	1
01a	Baffled Sump Assembly, alloy	Replace with item 01		Not Available	
02	Gate Flap			A702E0004F	5
03	Sump Plug			A132E6175S	1
04	Gasket, sump plug			A120E6461S	1
05	Sump Sevice Kit, fabricated sump	Includes plug, gasket and gate flap x 5		A702E0006S	1
06	Sump Sevice Kit. alloy sump	Not illustrated, includes washer, O ring and gate flap x 7		A702E0005S	1
		Note: For common components refer to Exige S parts list A138T0325J			



CUP 430

For common components refer to Exige S parts list A138T0325J

EXIGE *CUP*

40.07

Updated 4th June 2018

Service Parts List



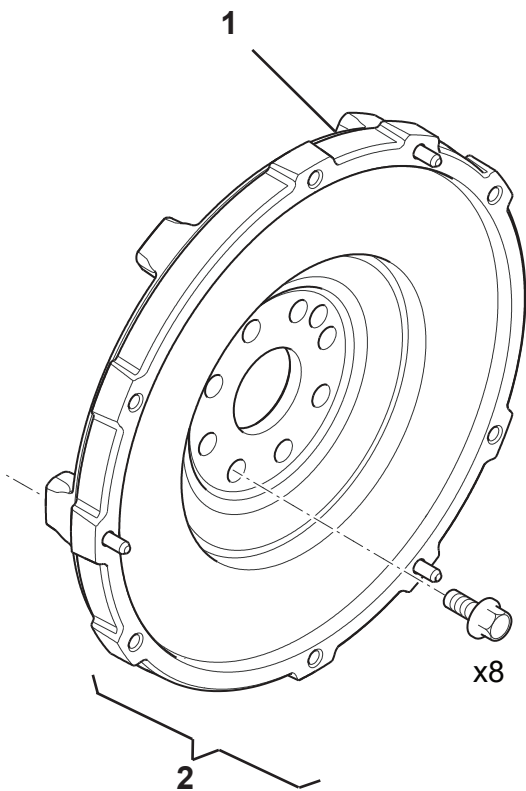
Function Code 40.07 Camshafts, Tappets, Cam Cover

<u>Dep</u>	<u>Part Description</u>	<u>Remarks</u>	<u>Option</u>	<u>Part Number</u>	<u>Qty</u>
01	Camshaft cover, LH	With spark plug tube gaskets		A132E6125S	1
02	Hose, ventilation No. 2, RH bank to catch tank	See 40.15		A132E6303S	2
02a	Hose, ventilation No. 2, RH bank to intake plenum		Cup 430	A132E0187F	1
03	Hose, catch tank to camcover	See 40.15		A138J0008F	1
03a	Hose, ventilation No. 1, LH bank to inlet tank		Cup 430	A132E0186F	1
04	Hose Clip, ventilation hose No. 2, RH bank			A132E6374S	1
05	Clamp Oetiker 19.5, catch tank to camcover			A918W6583F	1
06	Screw M6x35, valve to cam cover		Cup 430	A116W2191F	1
07	Valve Spacer		Cup 430	A132E0178F	1
08	Valve Adapter		Cup 430	A132E0179F	1
09	Valve Assy., cam timing control, bank 2, intake	Includes 'O' ring	Cup 430	A132E6236S	1
10	Valve Assy., cam timing control, bank 1, intake	Includes 'O' ring	Cup 430	A132E6235S	1
11	Hose Clip			A132E6008F	2
12	Hose Clip			A120W6738F	1
13	Hose Clip			A132E6006F	1
14	Apaptor, valve assembly			A132E0225F	1
15	Spigot			A132E0200F	1
16	Valve Assembly			A132E6181S	1



Function Code 40.07 Camshafts, Tappets, Cam Cover

<u>Dep</u>	<u>Part Description</u>	<u>Remarks</u>	<u>Option</u>	<u>Part Number</u>	<u>Qty</u>
		Note: For common components refer to Exige S parts list A138T0325J			



For common components refer to Exige S parts list A138T0325J

EXIGE *CUP*

40.11

Updated 14th August 2020

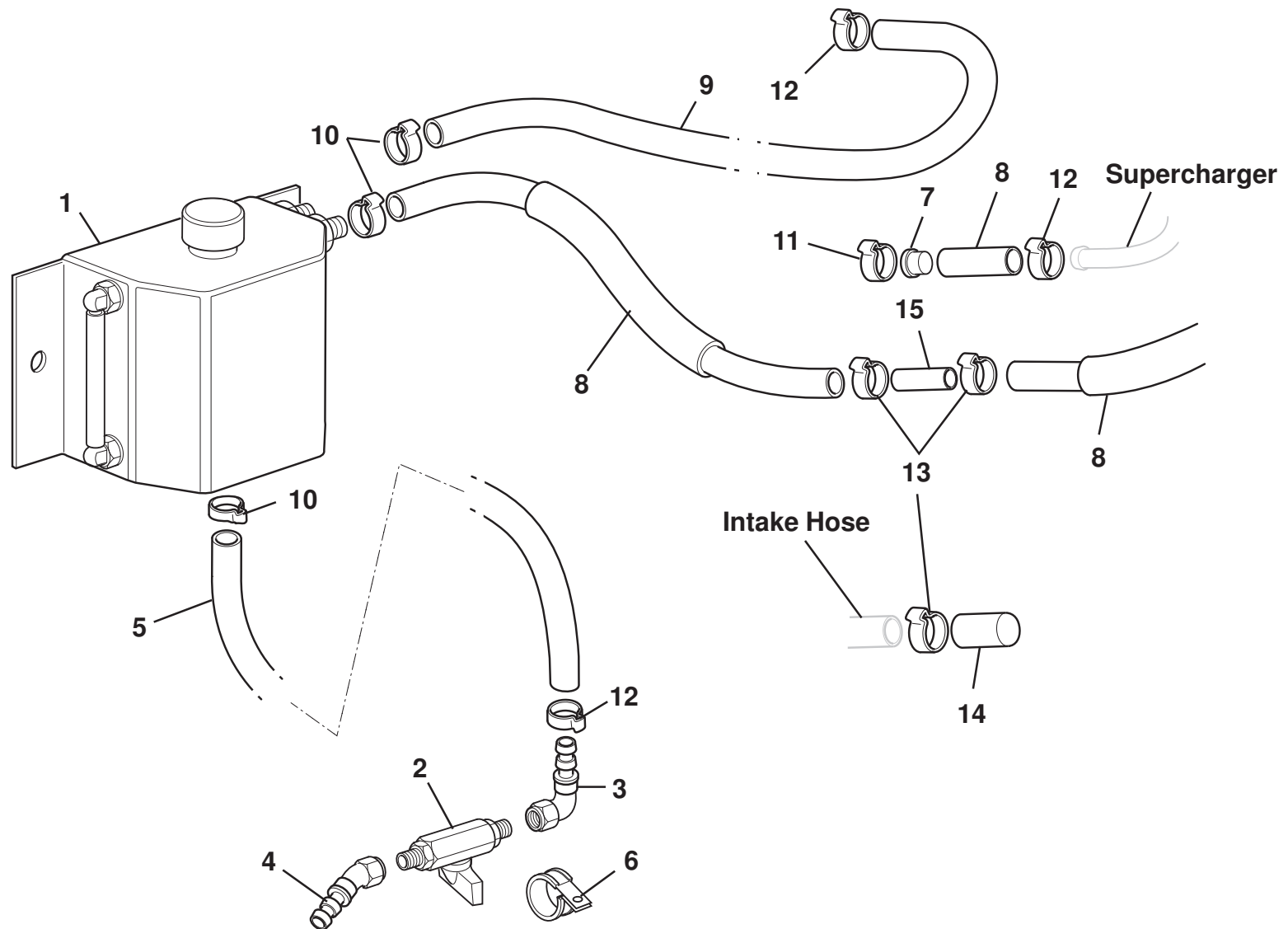
Service Parts List



Function Code 40.11 Crankshaft, Bearings, Flywheel

<u>Dep</u>	<u>Part Description</u>	<u>Remarks</u>	<u>Option</u>	<u>Part Number</u>	<u>Qty</u>
01	Flywheel Assembly, manual			A132E0103F	1
01a	Flywheel Assembly, manual		Cup 430	B138E0035F	1
02	Flywheel Kit see LPB 2020/09			A142E0007S	1
02a	Flywheel Kit see LPB 2020/09	See 47.01 for clutch kit	Cup 430	A142E0006S	1

Note: For common components
refer to Exige S parts list
A138T0325J



For common components refer to Exige S parts list A138T0325J

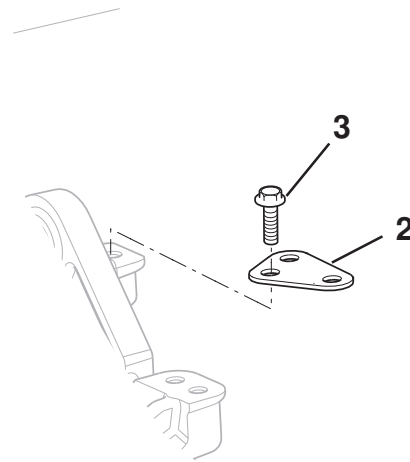
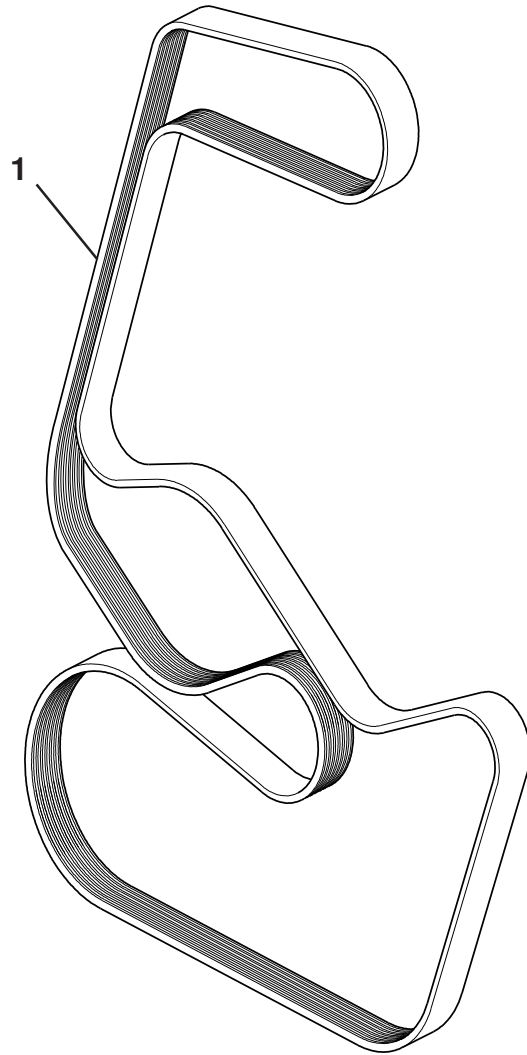
EXIGE *CUP*

40.15

Function Code 40.15 Lubrication System

<u>Dep</u>	<u>Part Description</u>	<u>Remarks</u>	<u>Option</u>	<u>Part Number</u>	<u>Qty</u>
01	Catch Tank			A702E6000F	1
02	Tap Catch Tank			A702E6001F	1
03	Tap Catch Tank Fitting 90 deg			A702E6002F	1
04	Tap Catch Tank Fitting 45 deg			A702E6003F	1
05	Hose lower, catch tank to tap			A702E6004F	1
06	'P' Clip, catch tank tap			A702L6000F	1
07	Plug, supercharger			A120K0042F	1
08	Front Breather Hose, catch tank to breather hose no 2	See 40.07		A132E6303S	2
09	Rear Hose catch tank to camcover, supercharger blanking	See 40.07, Cut to fit		A138J0008F	1.0m
10	Clamp Oetiker 21.5, catch tank connections			A121W6768F	3
11	Clamp Oetiker 16.5, plug			A116L6050F	2
12	Clamp Oetiker 19.5, s/charger, breather to c/cover, tap con			A918W6583F	3
13	Clamp Oetiker 22.6, breather joint, intake hose blanking			A121W6773F	3
14	Blanking Cap, intake hose			A132E0080F	1
15	Pipe Stud			B132E0082F	1

Note: For common components
refer to Exige S parts list
A138T0325J



For common components refer to Exige S parts list A138T0325J

EXIGE *CUP*

41.03

Updated 5th February 2018

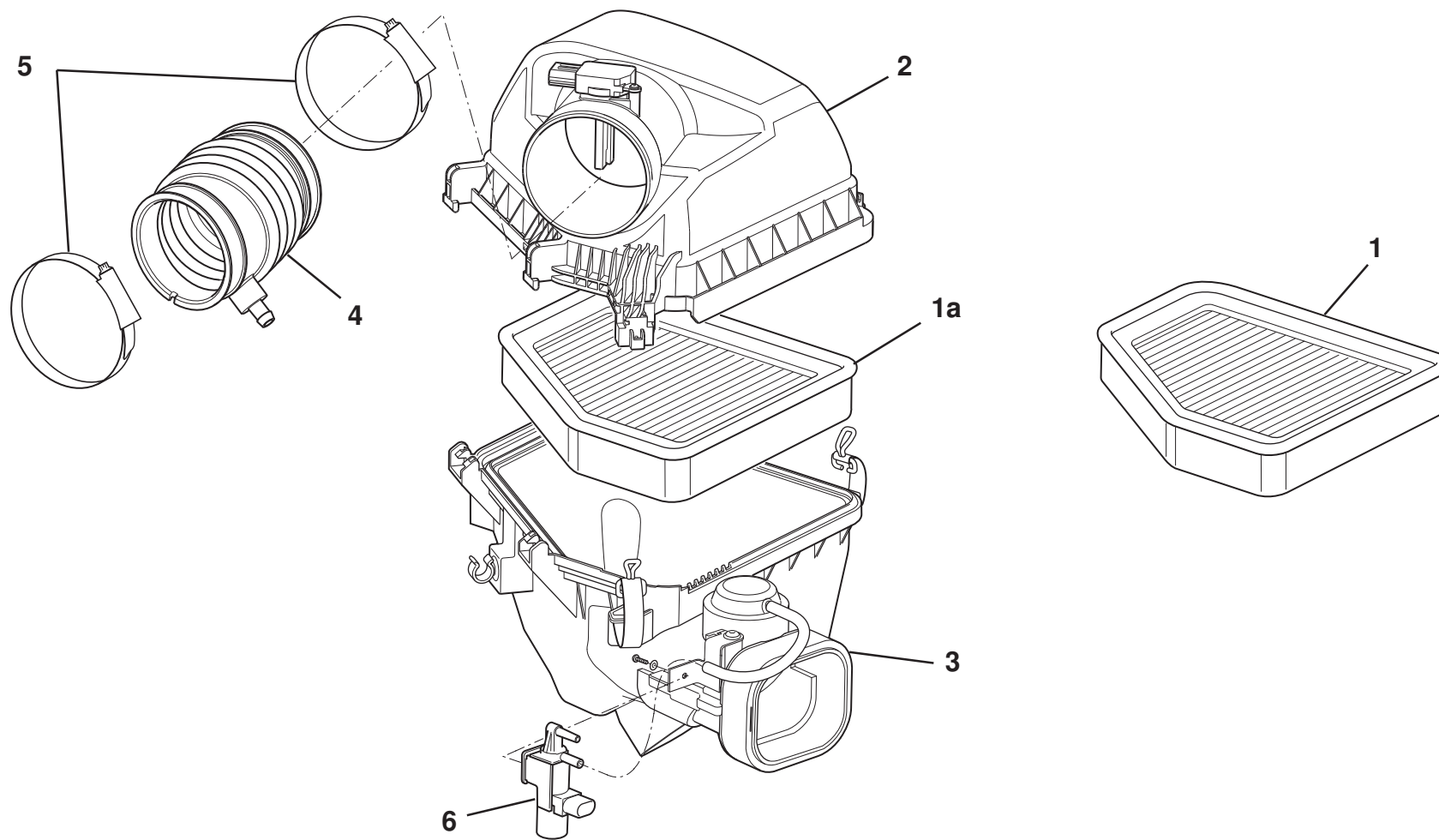
Service Parts List



Function Code 41.03 Auxiliary Drive Belts & Pulleys

<u>Dep</u>	<u>Part Description</u>	<u>Remarks</u>	<u>Option</u>	<u>Part Number</u>	<u>Qty</u>
01	Drive Belt		Cup 430	A138E6016F	1
02	Bracket Idler Support		Cup 430	A132E0212F	1
03	Bolt M8 x 25, hex. flg. hd. Support bracket			A132W5006F	3

Note: For common components
refer to Exige S parts list
A138T0325J



For common components refer to Exige S parts list A138T0325J

EXIGE *CUP*

42.01

Updated 2nd January 2018

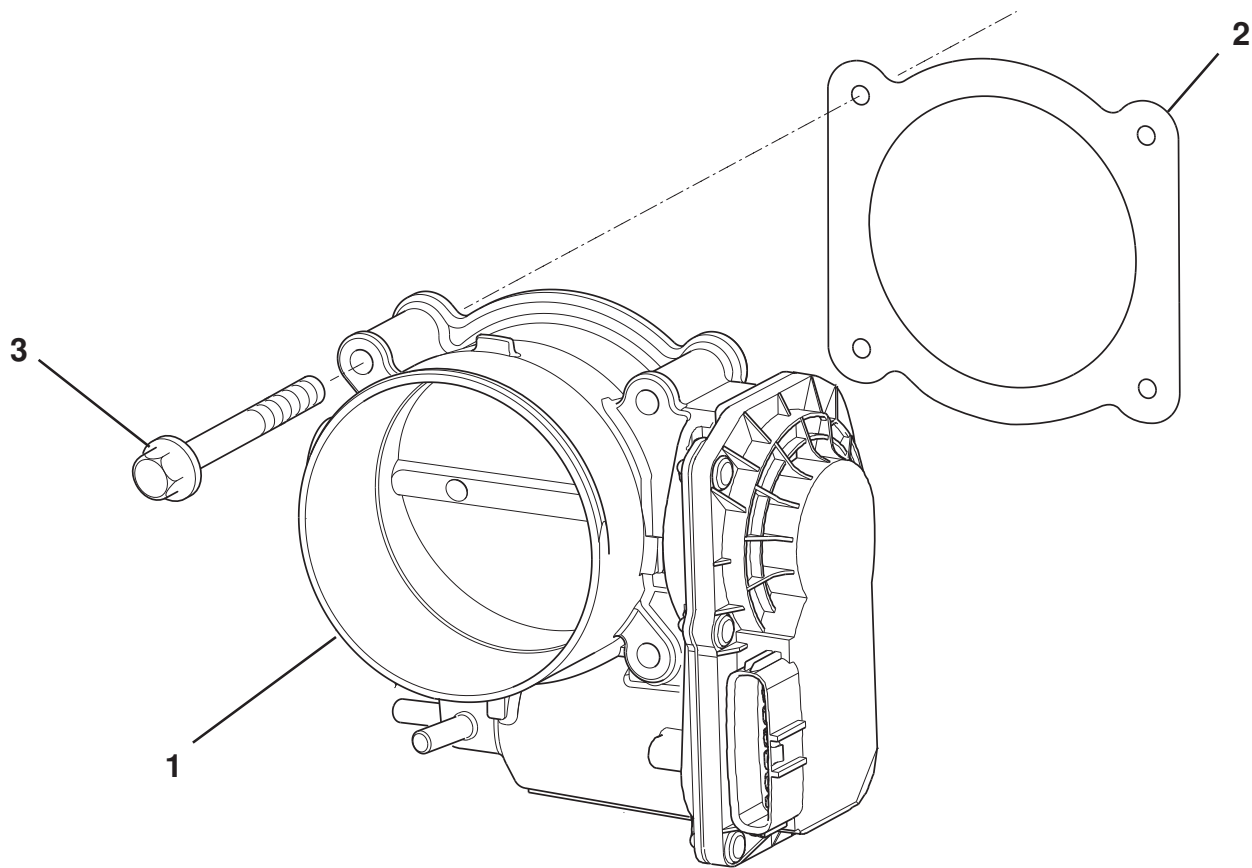
Service Parts List



Function Code 42.01 Airboxes, Trunking & Air Filters

<u>Dep</u>	<u>Part Description</u>	<u>Remarks</u>	<u>Option</u>	<u>Part Number</u>	<u>Qty</u>
01	Sports Air Filter		Cup 360	A702E6007F	1
01a	Air Filter		Cup 430	A132E6324S	1
02	Airbox Case Assembly, upper		Cup 430	A132E0214F	1
03	Airbox Case Assembly, lower, including switching valve		Cup 430	A138E0088K	1
04	Hose Intake, supercharger		Cup 430	A132E0213J	1
05	Hose Clip		Cup 430	A132W6035F	2
06	Valve, vacuum switching, intake by-pass			A132E6322S	1

Note: For common components
refer to Exige S parts list
A138T0325J



For common components refer to Exige S parts list A138T0325J

EXIGE *CUP*

42.04

Updated 2nd January 2018

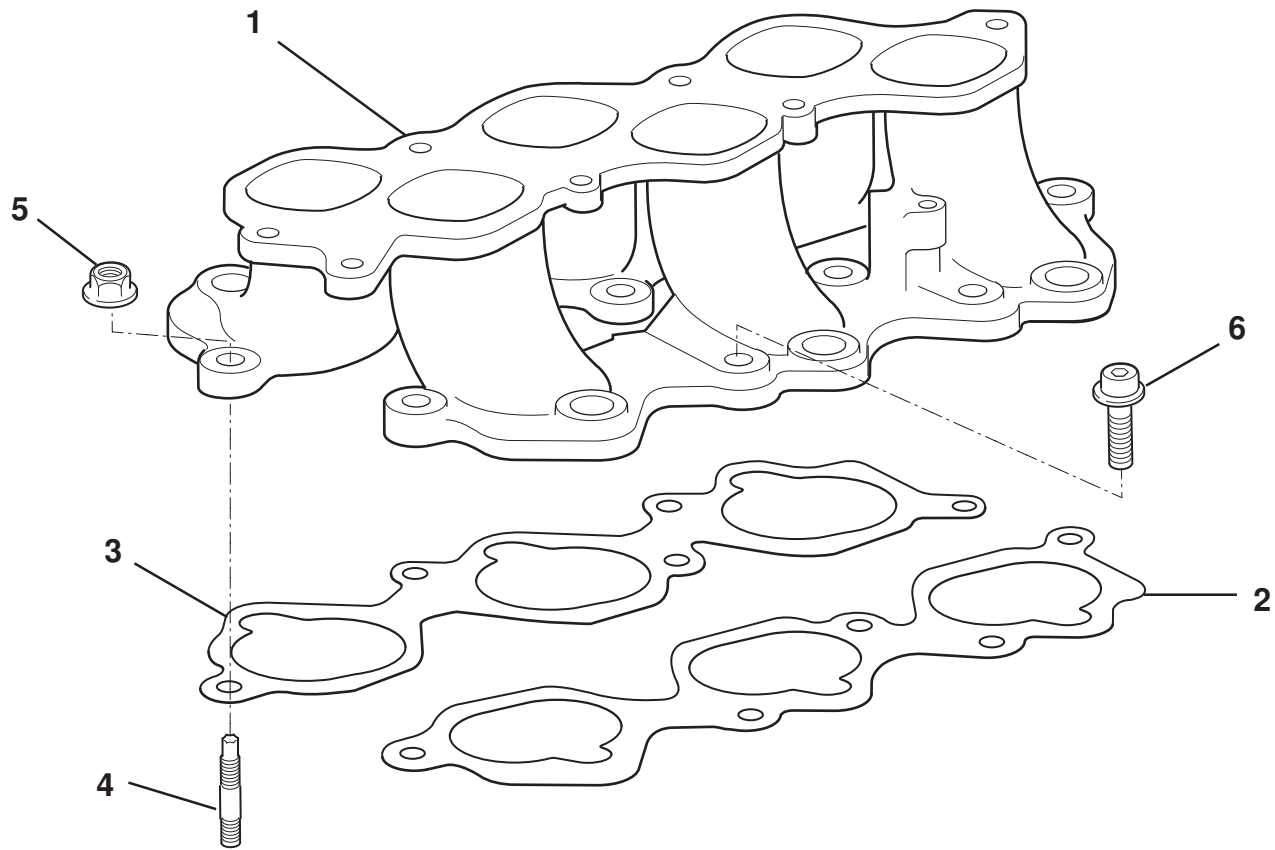
Service Parts List



Function Code 42.04 Throttle Body, Mechanism & IAC Valve

<u>Dep</u>	<u>Part Description</u>	<u>Remarks</u>	<u>Option</u>	<u>Part Number</u>	<u>Qty</u>
01	Throttle Body		CUP 430	A132E6538H	1
02	Gasket, throttle body to intake plenum		CUP 430	A132E6534H	1
03	Bolt, throttle body to intake plenum		CUP 430	A132E6379S	4

Note: For common components
refer to Exige S parts list
A138T0325J



For common components refer to Exige S parts list A138T0325J

EXIGE *CUP*

42.07

Updated 2nd January 2018

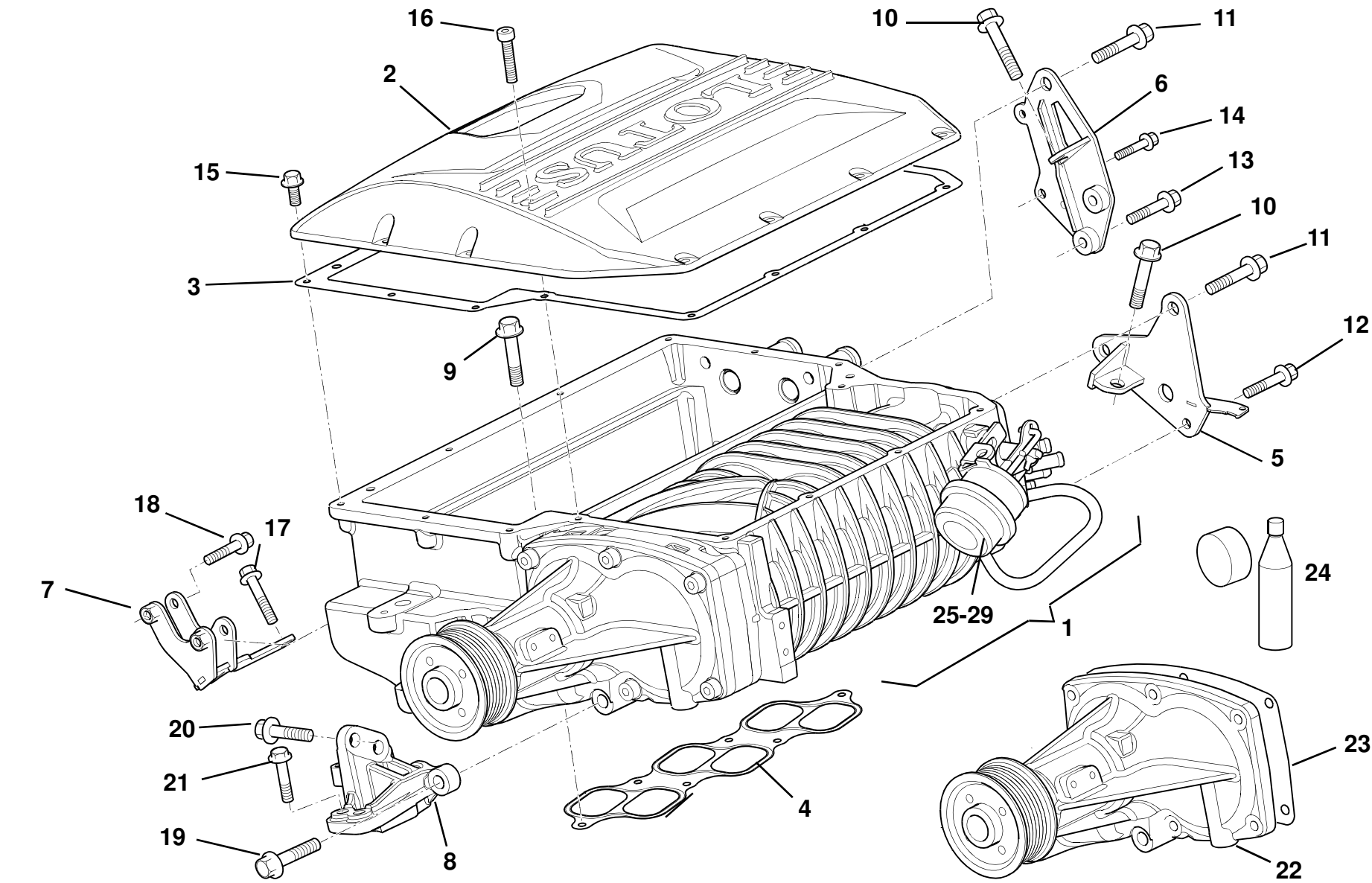
Service Parts List



Function Code 42.07 Inlet Manifold, Plenum & gaskets

<u>Dep</u>	<u>Part Description</u>	<u>Remarks</u>	<u>Option</u>	<u>Part Number</u>	<u>Qty</u>
01	Inlet Manifold		Cup 430	A132E6274S	1
02	Gasket, inlet manifold, LH		Cup 430	A132E6276S	1
03	Gasket, inlet manifold, RH		Cup 430	A132E6275S	1
04	Stud, inlet manifold to head	Also see 40.05		A132E6116S	8
05	Nut, flange, inlet manifold to head			A132E6474S	4
06	Screw, Inlet manifold			A132E6278S	6

Note: For common components
refer to Exige S parts list
A138T0325J



EXUSE *CUP*

42.10

Updated 2nd November 2020

Service Parts List



Function Code 42.10 Supercharger Intercooler

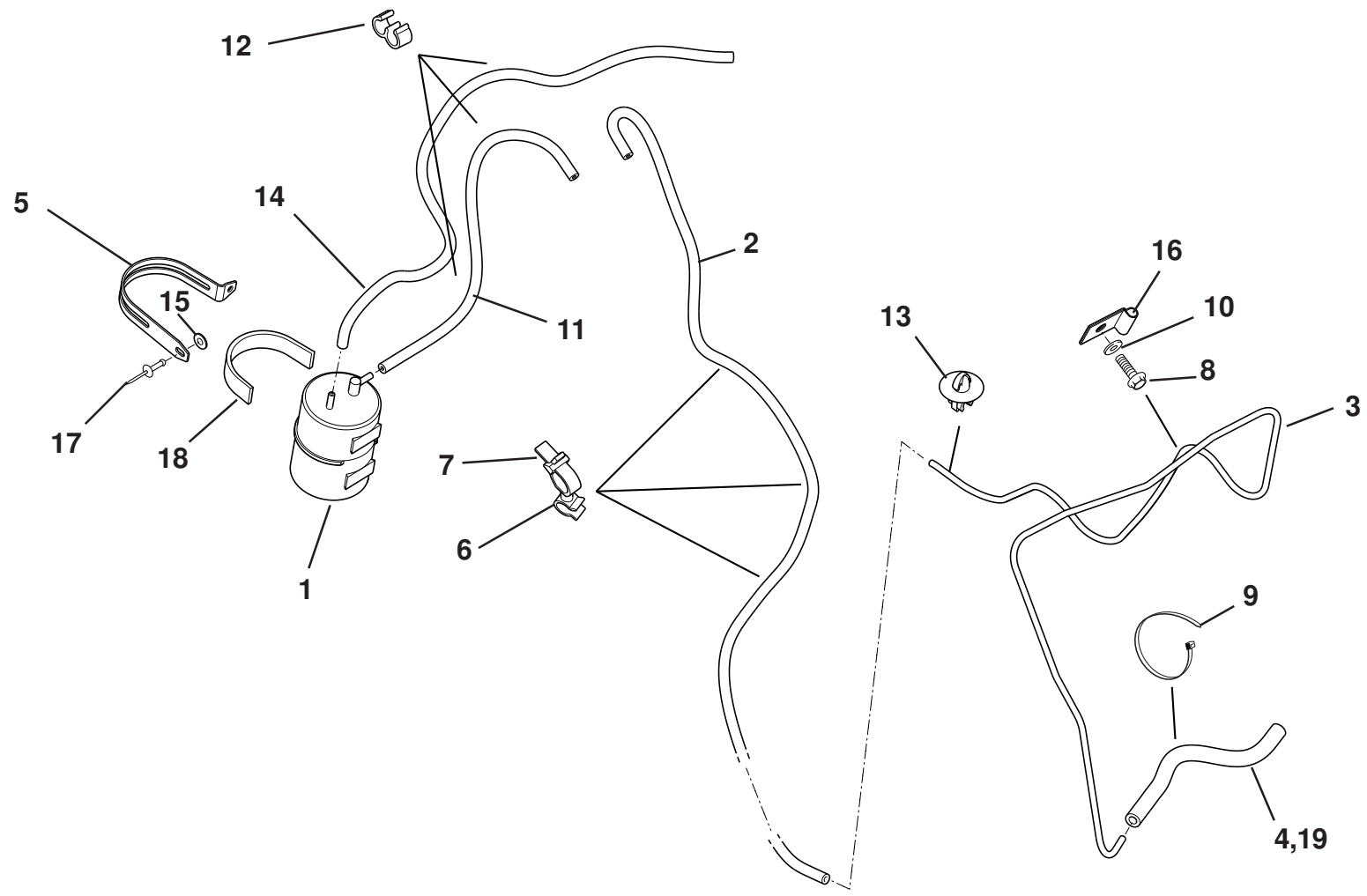
<u>Dep</u>	<u>Part Description</u>	<u>Remarks</u>	<u>Option</u>	<u>Part Number</u>	<u>Qty</u>
01	Supercharger Assembly Complete, unpainted body		Cup 430	A132E0245F	1
01a	Supercharger Assembly Complete, red cover		Cup 430	A132E0294F	
02	Supercharger Cover, red		Cup 430	A132E0266F	1
03	Gasket Top Cover		Cup 430	A132E0169H	1
04	Gasket		Cup 430	A132E0170F	1
05	Bracket Supercharger, front LH		Cup 430	A132E0190F	1
06	Bracket Supercharger, rear LH		Cup 430	A132E0182F	1
07	Bracket Supercharger, rear RH		Cup 430	A132E0180F	1
08	Bracket Supercharger, nose lower		Cup 430	A132E0211F	1
09	Bolt M6 x 45 hex flg hd, supercharger to engine			A132W2053F	6
10	Bolt M8 x 75 hex flg hd, front & rear LH bracket			A120E0064F	2
11	Bolt M10 x 25 hex flg hd, front & rear LH bracket			A132W5008F	3
12	Bolt M8 x 25 hex flg hd, front LH bracket			A132W5006F	1
13	Bolt M8 x 30 hex flg hd, rear LH bracket			A116W5245F	2
14	Bolt M6 x 16 hex flg hd, rear LH bracket			A132W5003F	1
15	Screw M6 x 20 hex flg hd, top cover			A132E6539H	12
16	Screw M6 x 40 skt hd, top cover			A132E6540H	2
17	Bolt M8 x 55 hex flg hd, rear RH bracket			A120W2216F	2



Function Code 42.10 Supercharger Intercooler

<u>Dep</u>	<u>Part Description</u>	<u>Remarks</u>	<u>Option</u>	<u>Part Number</u>	<u>Qty</u>
18	Bolt M8 x 40 hex flg hd, rear RH bracket			A117W5251F	2
19	Bolt M10 x 35 hex flg hd, nose bracket			A116W5247F	1
20	Bolt M10 x 30 hex flg hd, nose bracket			A132W2004F	2
21	Bolt M8 x 35 hex flg hd, nose bracket, front RH bracket			A117W5249F	3
22	Nose Assembly		Cup 430	A132E6553S	1
23	Gasket		Cup 430	A132E6566S	1
24	Kit, oil and coupler/spring		Cup 430	A132E6554S	1
25	Actuator		Cup 430	A142E6000H	1
26	Bolt		Cup 430	A142E6001H	2
27	Lever		Cup 430	A142E6002H	1
28	Locking Tab		Cup 430	A142E6003H	1
29	Nut		Cup 430	A142E6004H	1

Note: For common components
refer to Exige S parts list
A138T0325J



For common components refer to Exige S parts list A138T0325J

EXIGE *CUP*

43.03

Updated 2nd November 2018

Service Parts List



Function Code 43.03 Vacuum System, Hoses, Pipes & Fittings

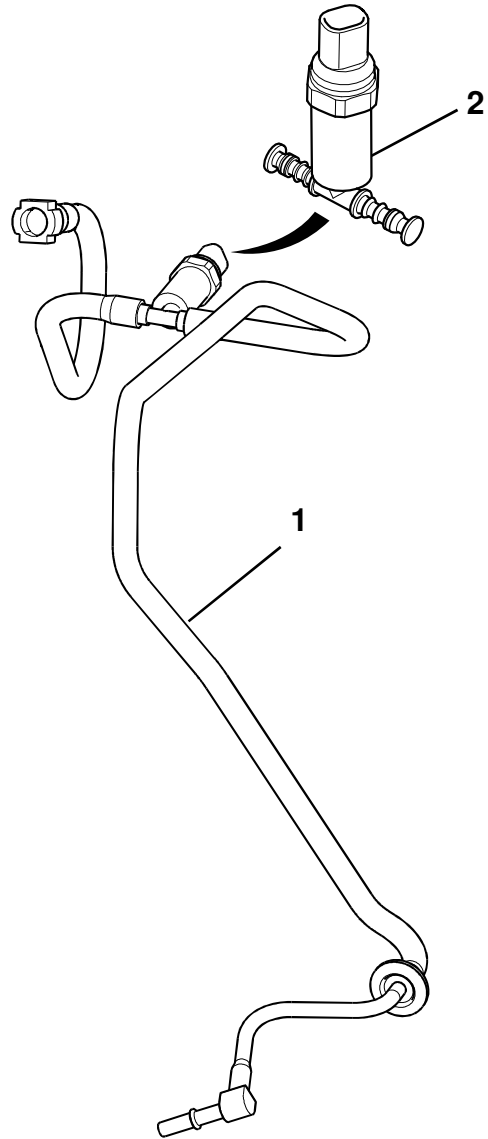
<u>Dep</u>	<u>Part Description</u>	<u>Remarks</u>	<u>Option</u>	<u>Part Number</u>	<u>Qty</u>
01	Tank Vacuumn		Cup 430	A132E0188F	1
02	Hose Vacuum, airbox to solenoid		Cup 430	B132S0144F	1
03	Pipe Vacuum, valve actuation		Cup 430	B138S0039F	1
04	Hose Vacuum, 175mm		Cup 430	C138F0047F	1
05	Bracket Vacuum Tank		Cup 430	A138E0056G	1
06	Swivel Clip			A132W6088F	3
07	Swivel Clip Tie Wrap			A082W6324F	3
08	Screw M5 x 12 hex flg hd			A132W5002F	1
09	Tie Wrap			A124W6800F	1
10	Washer 3/16 x 3/4 x 16g			B075W4009Z	1
11	Hose Sub Assembly Vacuum		Cup 430	A132E6066F	1
12	Cable Clip			A100W6418F	3
13	Button Cable Clip			A116W6661F	1
14	Hose Vacuum, 580mm			A132E0194F	1
15	Washer 3/16 x 1/2 x 16g			A075W4000Z	2
16	'P' Clip			A132W6090F	1
17	Pop Rivet			A085W6259F	2
18	Seal; Foam			A082U6067V	0.12



Function Code 43.03 Vacuum System, Hoses, Pipes & Fittings

<u>Dep</u>	<u>Part Description</u>	<u>Remarks</u>	<u>Option</u>	<u>Part Number</u>	<u>Qty</u>
19	Heat Protective Wrap			A120L0061F	1

Note: For common components
refer to Exige S parts list
A138T0325J



For common components refer to Exige S parts list A138T0325J

EXIGE *CUP*

44.03

Updated 2nd November 2020

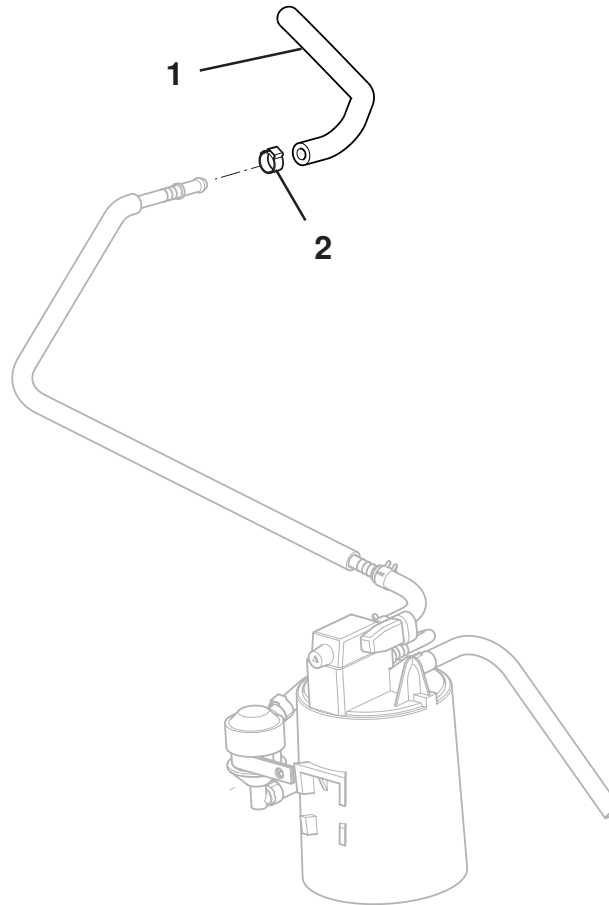
Service Parts List



Function Code 44.03 Fuel Pump; Filter, Pipes

<u>Dep</u>	<u>Part Description</u>	<u>Remarks</u>	<u>Option</u>	<u>Part Number</u>	<u>Qty</u>
01	Fuel Feed Pipe Assembly and Sensor		Cup 430	A138L0166F	1
02	Fuel Pressure Sensor kit			A132L6062S	1

Note: For common components
refer to Exige S parts list
A138T0325J



For common components refer to Exige S parts list A138T0325J

EXIGE *CUP*

44.05

Updated 2nd January 2018

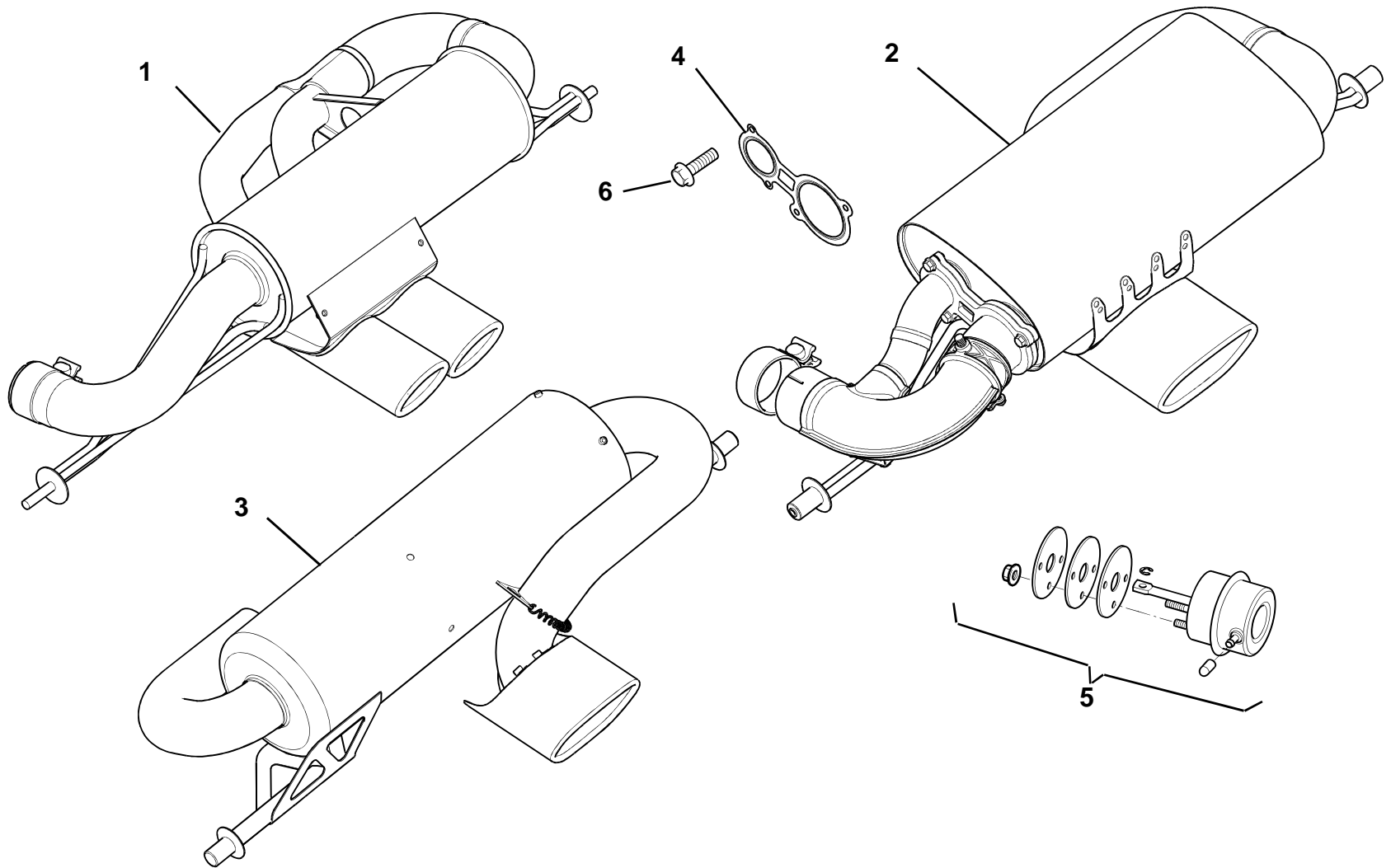
Service Parts List



Function Code 44.05 Charcoal Canister & Evaporative Loss System.

<u>Dep</u>	<u>Part Description</u>	<u>Remarks</u>	<u>Option</u>	<u>Part Number</u>	<u>Qty</u>
01	Hose, vapour feed No.2		Cup 430	A132L0113F	1
02	Clip			A124W6818F	1

Note: For common components
refer to Exige S parts list
A138T0325J



For common components refer to Exige S parts list A138T0325J

EXIGE *CUP*

45.01

Updated 3rd June 2019

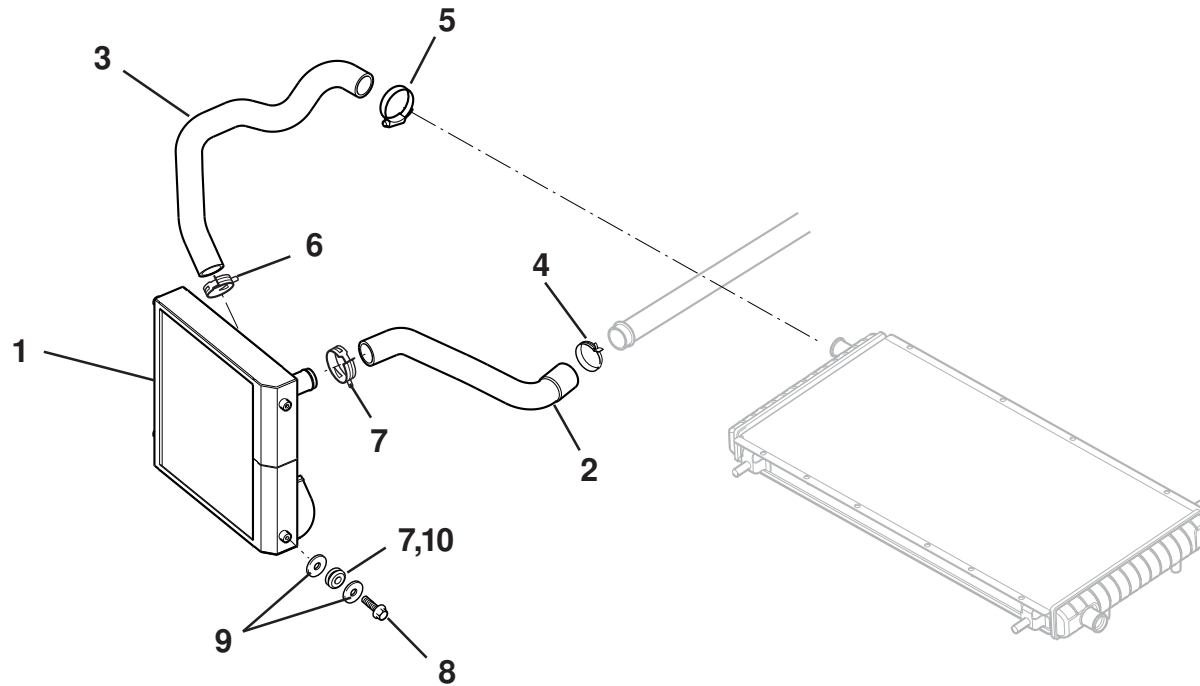
Service Parts List



Function Code 45.01 Exhaust System

<u>Dep</u>	<u>Part Description</u>	<u>Remarks</u>	<u>Option</u>	<u>Part Number</u>	<u>Qty</u>
01	Silencer Assembly, sports	Track only	Cup 360	LOTAC05504	1
02	Silencer Assembly, titanium	Includes clamp	Cup 430	A132S0314F	1
02a	Silencer Assembly, s/s	Includes clamp	Cup 430, Australia	B132S0217F	1
03	Silencer Assembly, track	Includes clamp	Cup 380, 430	A138S0100S	1
04	Gasket, titanium exhaust		Cup 430	A132S0301H	1
05	Valve Actuator Kit		Cup 430	A132S6020S	1
06	Bolt, titanium exhaust			A142S0001F	4

Note: For common components
refer to Exige S parts list
A138T0325J



For common components refer to Exige S parts list A138T0325J

EXIGE *CUP*

46.01

Updated 2nd July 2018

Service Parts List

EXIGE *CUP*



Function Code 46.01 Engine Cooling System & Fan

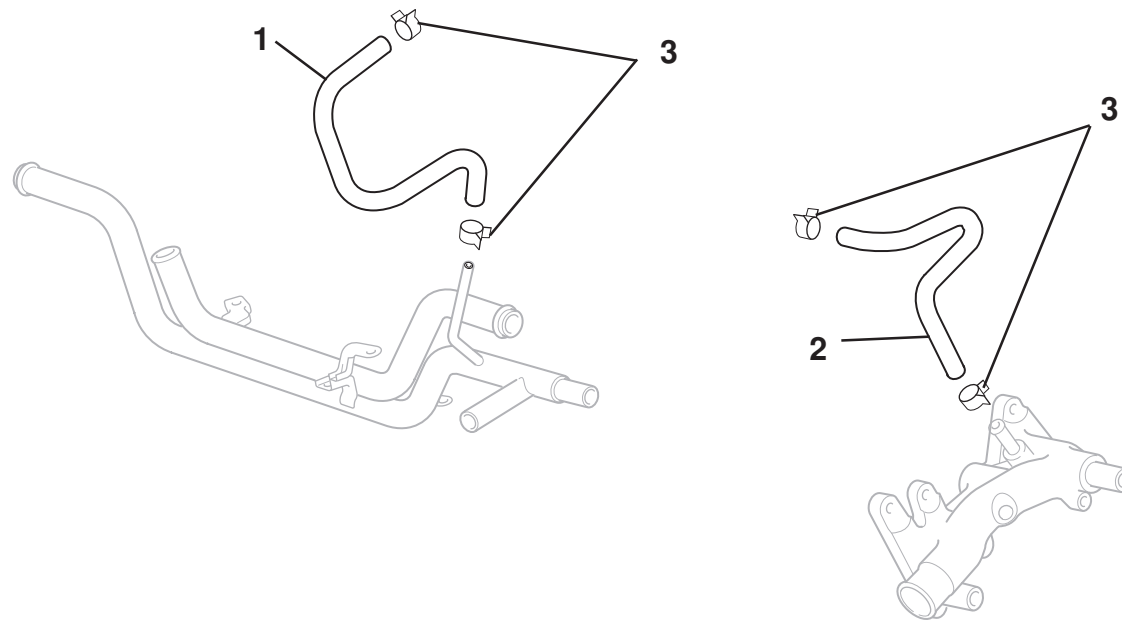
<u>Dep</u>	<u>Part Description</u>	<u>Remarks</u>	<u>Option</u>	<u>Part Number</u>	<u>Qty</u>
01	Auxillary Radiator, engine		Cup 430	B138K0208F	1
02	Hose, chassis pipe to rad		Cup 430	B708K0021F	1
03	Hose, rad to auxillary rad		Cup 430	A138K0207F	1
04	Hose Clamp			A120W6784F	1
05	Hose Clip			A132W6106F	1
06	Hose Clip			A075M6145F	2
07	Bush, mounting			A132K6005F	4
08	Screw M8 x 20 hex flg hd			A132W5005F	4
09	Washer M8 x 20.5 x 1.4			A082W4165F	4
10	Sleeve			A132K6006F	4

Note: For common components
refer to Exige S parts list
A138T0325J

EXIGE *CUP*

Function Code: 46.01, Page: 1

Updated 3rd December 2018



For common components refer to Exige S parts list A138T0325J

EXIGE *CUP*

46.02

Updated 2nd January 2018

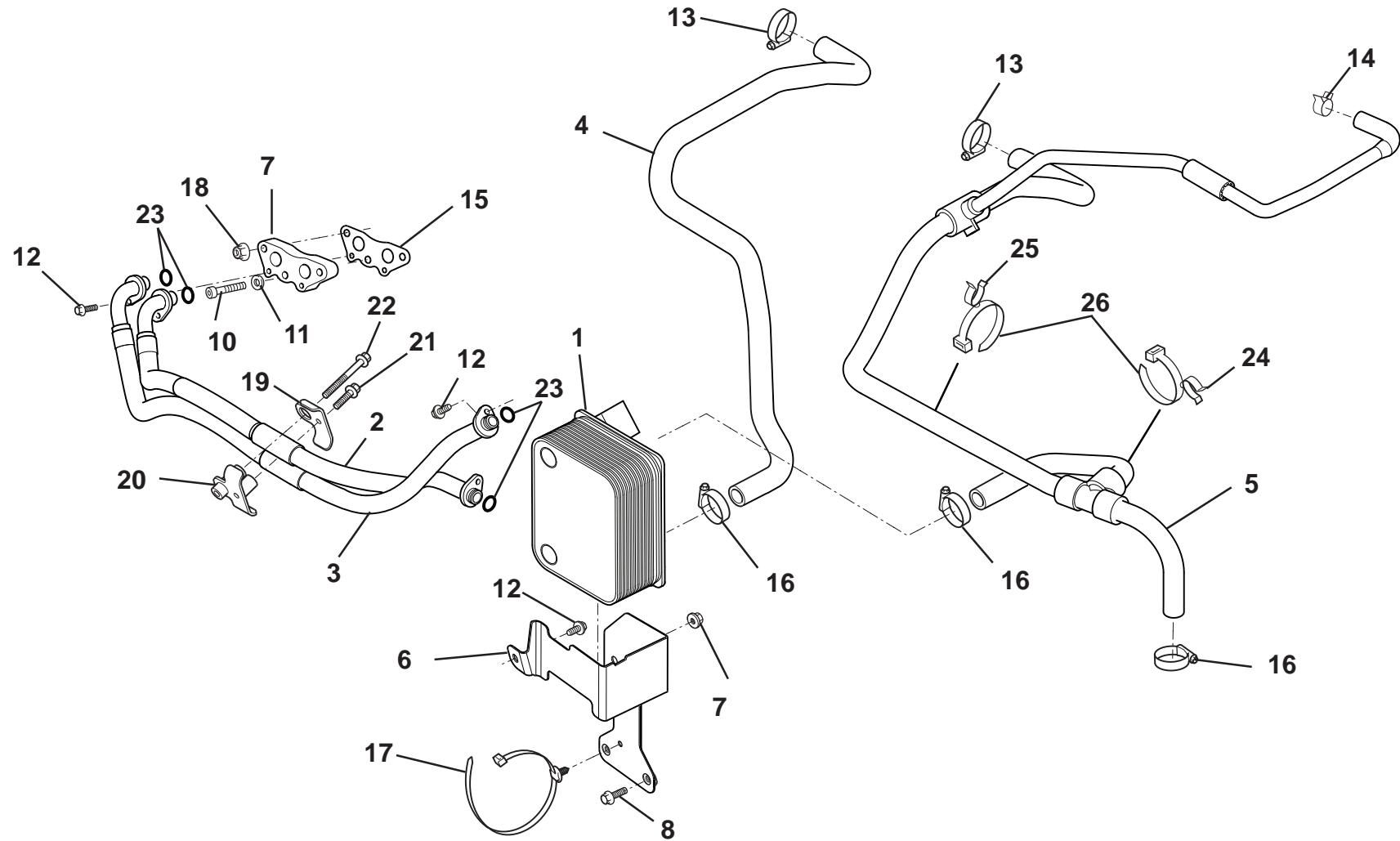
Service Parts List



Function Code 46.02 Engine Cooling System

<u>Dep</u>	<u>Part Description</u>	<u>Remarks</u>	<u>Option</u>	<u>Part Number</u>	<u>Qty</u>
01	Hose, water by-pass No.2, outlet to throttle body		Cup 430	A132E0184F	1
02	Hose, water by-pass No.3, throttle body to water inlet pipe		Cup 430	A132E0185F	1
23	Hose Clip, water by-pass No. 2 & No. 3		Cup 430	A132E6271S	4

Note: For common components
refer to Exige S parts list
A138T0325J



For common components refer to Exige S parts list A138T0325J

EXIGE *CUP*

46.03

Updated 1st October 2018

Service Parts List



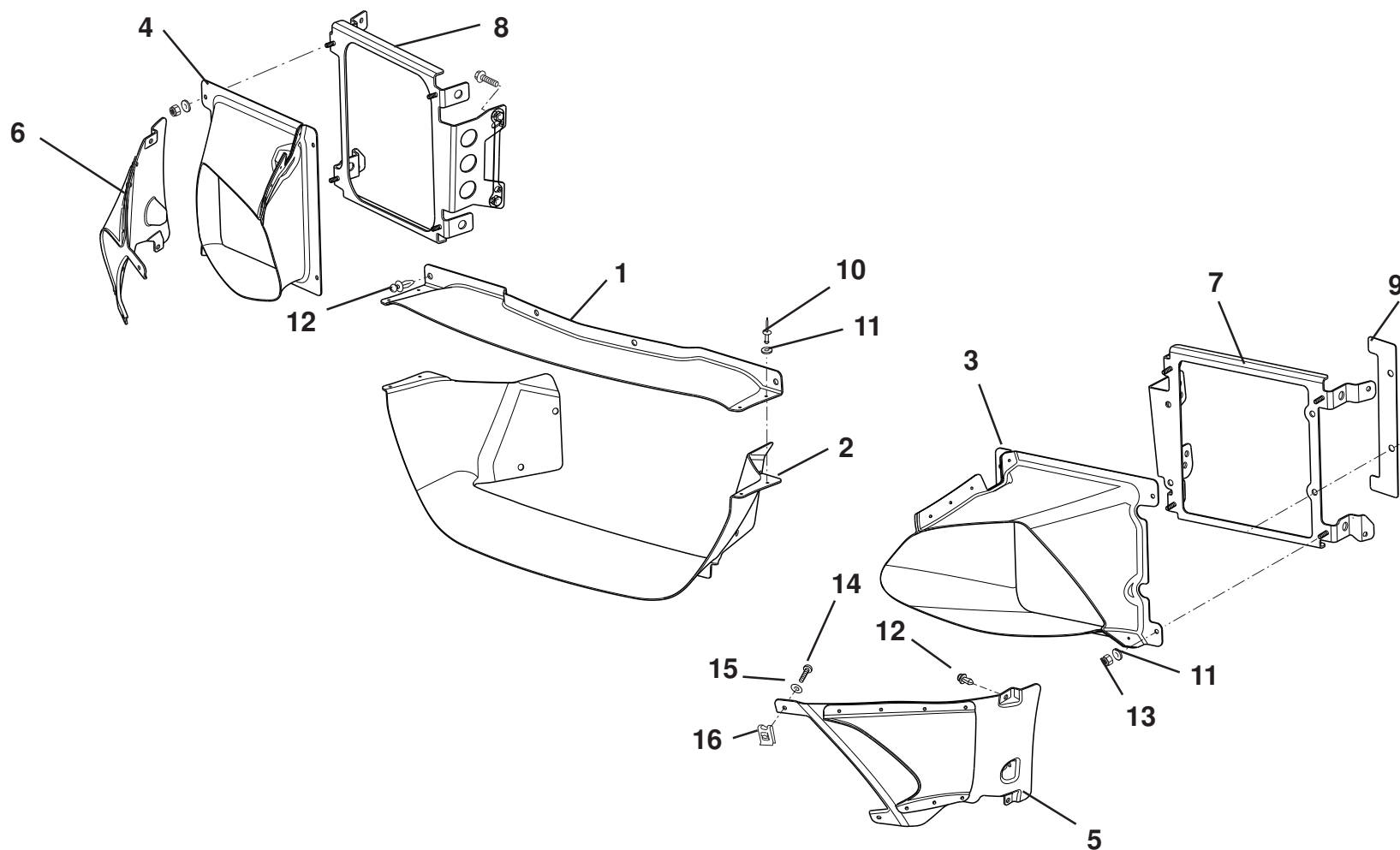
Function Code 46.03 Oil Cooler/Heat Exchanger & Pipes

<u>Dep</u>	<u>Part Description</u>	<u>Remarks</u>	<u>Option</u>	<u>Part Number</u>	<u>Qty</u>
01	Oil Cooler Plate		Cup 430	A132K0304F	1
02	Oil Cooler Pipe Assembly, feed	Includes O rings	Cup 430	B138K0211F	1
03	Oil Cooler Pipe Assembly, return	Includes O rings	Cup 430	A138K0212F	1
04	Hose Inlet		Cup 430	B138K0206F	1
05	Hose Return		Cup 430	A138K0222F	1
06	Bracket Oil Cooler		Cup 430	A138K0199F	1
07	Adapter Plate, oil cooler pipes		Cup 430	B132K0303F	1
08	Screw M8 x 16, hex flg hd			A117W2202F	2
09	Screw M6 x16 btn cap hd, oil cooler pipes			A082W7105F	4
10	Bolt M8 x 40 cap hd, oil cooler pipes			A100W7067F	1
11	Washer Flat M8 x 16.5 x 1.6			A111W4175F	3
12	Screw M6 x 16 hex flg hd, oil cooler pipes			A132W5003F	7
13	Hose Clamp			A079K6018F	2
14	Hose Clamp, hose to header tank			A120W6739F	1
15	Gasket, hose assembly to sump			A132E0060S	1
16	Hose Clamp			A132W6021F	3
17	Tie Wrap Clip			A116K6020F	1
18	Nut M8 hex flg, oil cooler bracket			A111W3154F	5



Function Code 46.03 Oil Cooler/Heat Exchanger & Pipes

<u>Dep</u>	<u>Part Description</u>	<u>Remarks</u>	<u>Option</u>	<u>Part Number</u>	<u>Qty</u>
19	Clamp Oil Pipe Support			A138K0221F	1
20	Clamp Oil Pipe Support			A138K0213F	1
21	Screw M6 x 25 hex flg hd			A132W5014F	1
22	Bolt M6 x 50 hex flg hd			A128W2219F	1
23	'O' Ring			A132K6020S	4
24	Swivel Clip			A089W6287F	1
25	Swivel Clip			A082W6587F	1
26	Swivel Clip Tie Wrap			A082W6324F	2



For common components refer to Exige S parts list A138T0325J

EXIGE *CUP*

46.04

Updated 1st May 2018

Service Parts List



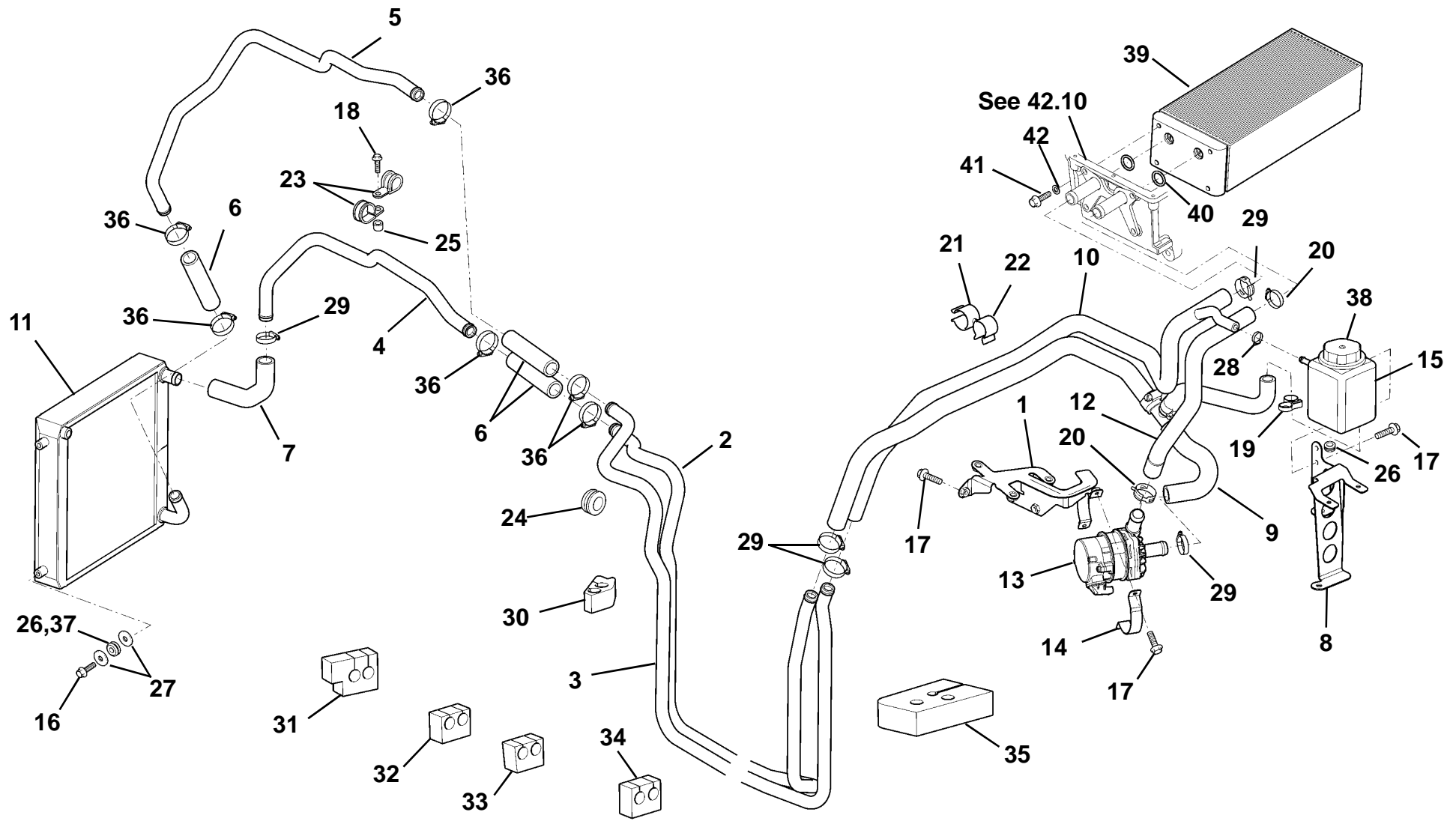
Function Code 46.04 Front Ducts

<u>Dep</u>	<u>Part Description</u>	<u>Remarks</u>	<u>Option</u>	<u>Part Number</u>	<u>Qty</u>
01	Centre Duct Upper		Cup 430	A138U0185F	1
02	Centre Duct Lower		Cup 430	A138U0186F	1
03	Side Duct assembly LH		Cup 430	A138U0249J	1
04	Side Duct assembly RH		Cup 430	A138U0250J	1
05	Duct Assembly Front Bumper LH		Cup 430	A138U4111J	1
05a	Duct Assembly Front Bumper LH, carbon		Cup 430	A138U4113J	1
06	Duct Assembly Front Bumper RH		Cup 430	A138U4112J	1
06a	Duct Assembly Front Bumper RH, carbon		Cup 430	A138U4114J	1
07	Bracket Assembly Radiator Mount LH		Cup 430	A138U0241F	1
08	Bracket Assembly Radiator Mount RH		Cup 430	A138U0242F	1
09	Blanking Plate, Automatic radiator		Cup 430	A138B0763F	1
10	Pop Rivet			A075W6068Z	8
11	Washer M4 x 9 x 0.8			A082W4099F	16
12	Scrivet			A120W6848F	13
13	Nut Nyloc M6			A075W3009Z	8
14	Screw No.8 x 3/4 flg pozi hd			A132W5005F	4
15	Washer Flat 3/6 x 1/2 x 17g			A075W4063Z	4
16	Speed Nut No.8			A075W6016Z	4



Function Code 46.04 Front Ducts

<u>Dep</u>	<u>Part Description</u>	<u>Remarks</u>	<u>Option</u>	<u>Part Number</u>	<u>Qty</u>
		Note: For common components refer to Exige S parts list A138T0325J			



For common components refer to Exige S parts list A138T0325J

EXIGE *CUP*

46.11

Updated 3rd June 2019

Service Parts List



Function Code 46.11 Chargecooler, Pipes & Hoses

<u>Dep</u>	<u>Part Description</u>	<u>Remarks</u>	<u>Option</u>	<u>Part Number</u>	<u>Qty</u>
01	Bracket Assembly Pump		Cup 430	A138K0188F	1
02	Pipe Intercooler, feed -mid		Cup 430	B138K0189F	1
03	Pipe Intercooler, return -mid		Cup 430	B138K0190F	1
04	Pipe Intercooler, feed -front		Cup 430	B138K0191F	1
05	Pipe Intercooler, return -front		Cup 430	B138K0192F	1
06	Hose Intercooler, mid		Cup 430	B138K0193F	3
07	Hose Intercooler, feed -front		Cup 430	A138K0195F	1
08	Header Tank Bracket		Cup 430	B138K0200F	1
09	Hose, feed-front		Cup 430	A138K0202F	1
10	Hose, supercharger out		Cup 430	A138K0203F	1
11	Radiator Charge Cooler	For mounting bracket see 46.04	Cup 430	B138K0209F	1
12	Hose pump-supercharger feed		Cup 430	A132K0292F	1
13	Coolant Pump		Cup 430	A132K6014F	1
14	Clamp Bracket, pump		Cup 430	A132K0375F	1
15	Expansion Tank		Cup 430	B132K0321F	1
16	Screw M6 x 25 hex flg hd			A132W5005F	4
17	Screw M6 x 12 hex flg hd			A132W5010F	7
18	Screw M8 x 20 hex flg hd			A132W5014F	1



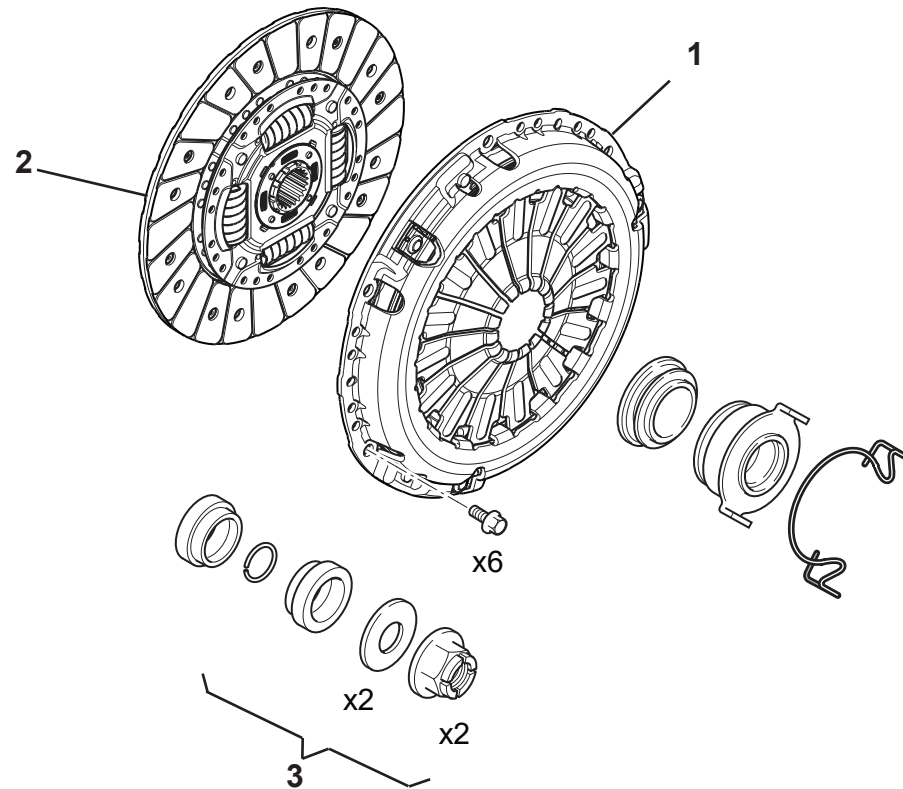
Function Code 46.11 Chargecooler, Pipes & Hoses

<u>Dep</u>	<u>Part Description</u>	<u>Remarks</u>	<u>Option</u>	<u>Part Number</u>	<u>Qty</u>
19	Hose Clamp, 22-24	A132W6021F R/B		A121W6774F	1
20	Hose Clamp			A120W6776F	2
21	Hose Clip, 22-24			A132W6116F	5
22	Hose Clip, 25-27			A132W6115F	4
23	'P' Clip			A132W6113F	2
24	Grommet			X036B6167F	2
25	Spacer			A117W6721F	1
26	Bush			A132K6005F	5
27	Washer M8 x 20.5 x 1.5			A082W4165F	8
28	Hose Clip 8 -16			A132W6071F	1
29	Hose Clip 16 - 25			A079K6018F	4
30	Foam Pipe Support, Z front LH			A138K0215F	1
31	Foam Pipe Support, mt LH			A138K0216F	1
32	Foam Pipe Support, LH			A138K0217F	1
33	Foam Pipe Support, rear LH			A138K0218F	1
34	Foam Pipe Support, rear extra LH			A138K0219F	1
35	Foam Pipe Support, rear Z LH			A138K0220F	1
36	Hose Clip 16 - 25			A079K6018F	8
37	Sleeve			A132K6006F	4
38	Expansion Tank Cap			A132K0434F	1
39	Intercooler			A132E0168H	1



Function Code 46.11 Chargecooler, Pipes & Hoses

<u>Dep</u>	<u>Part Description</u>	<u>Remarks</u>	<u>Option</u>	<u>Part Number</u>	<u>Qty</u>
40	'O' Ring, intercooler to supercharger			A132E6541H	2
41	Screw M8 x 25, hex flg hd, intercooler mounting			A132E6542H	4
42	Washer			A142E0001F	4



For common components refer to Exige S parts list A138T0325J

EXIGE *CUP*

47.01

Updated 14th August 2020

Service Parts List

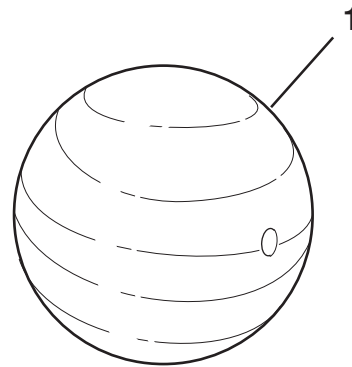


Function Code 47.01 Clutch & Release Mechanism

<u>Dep</u>	<u>Part Description</u>	<u>Remarks</u>	<u>Option</u>	<u>Part Number</u>	<u>Qty</u>
01	Clutch Cover			A132F0116F	1
01a	Clutch Cover	High clamp load	Cup 430	A132F6361F	1
02	Clutch Driven Plate			A132F0139F	1
02a	Clutch Driven Plate		Cup 430	A132F6362F	1
03	Clutch Kit see LPB 2020/09	See 40.11 for flywheel kit		A142Q0008S	1
03a	Clutch Kit see LPB 2020/09	See 40.11 for flywheel kit	Cup 430	A142Q0009S	1

Note: For common components
refer to Exige S parts list
A138T0325J





For common components refer to Exige S parts list A138T0325J

EXIGE *CUP*

47.05b

Updated 1st May 2018

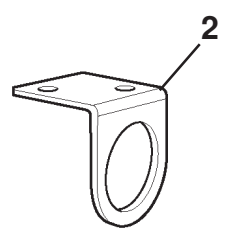
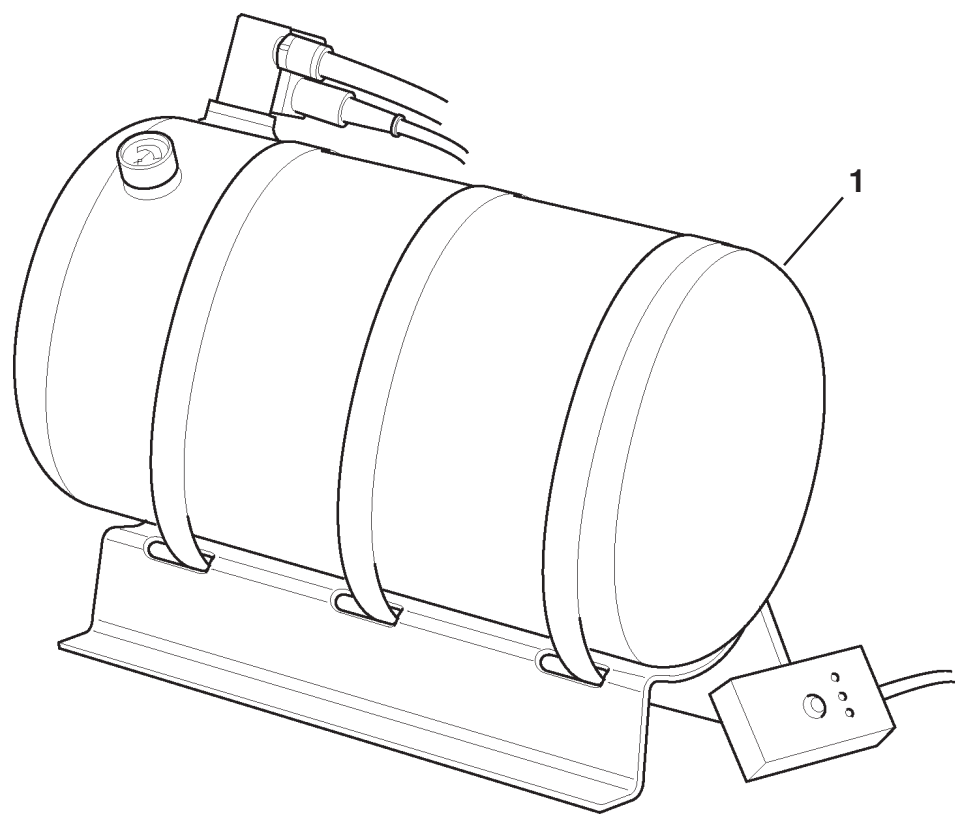
Service Parts List



Function Code 47.05b Gearchange Mechanism, External, Exposed Gearshift

<u>Dep</u>	<u>Part Description</u>	<u>Remarks</u>	<u>Option</u>	<u>Part Number</u>	<u>Qty</u>
01	Wooden Gear Knob		Cup 430, type 25 edition	A138V0971J	1

Note: For common components
refer to Exige S parts list
A138T0325J



For common components refer to Exige S parts list A138T0325J

EXIGE *CUP*

60.03x

Function Code 60.03x Fire Extinguisher Kit

<u>Dep</u>	<u>Part Description</u>	<u>Remarks</u>	<u>Option</u>	<u>Part Number</u>	<u>Qty</u>
01	Fire Extinguisher, electric			A702T6000F	1
02	Bracket Fire Nozzle Mounting			A702A0004F	3
