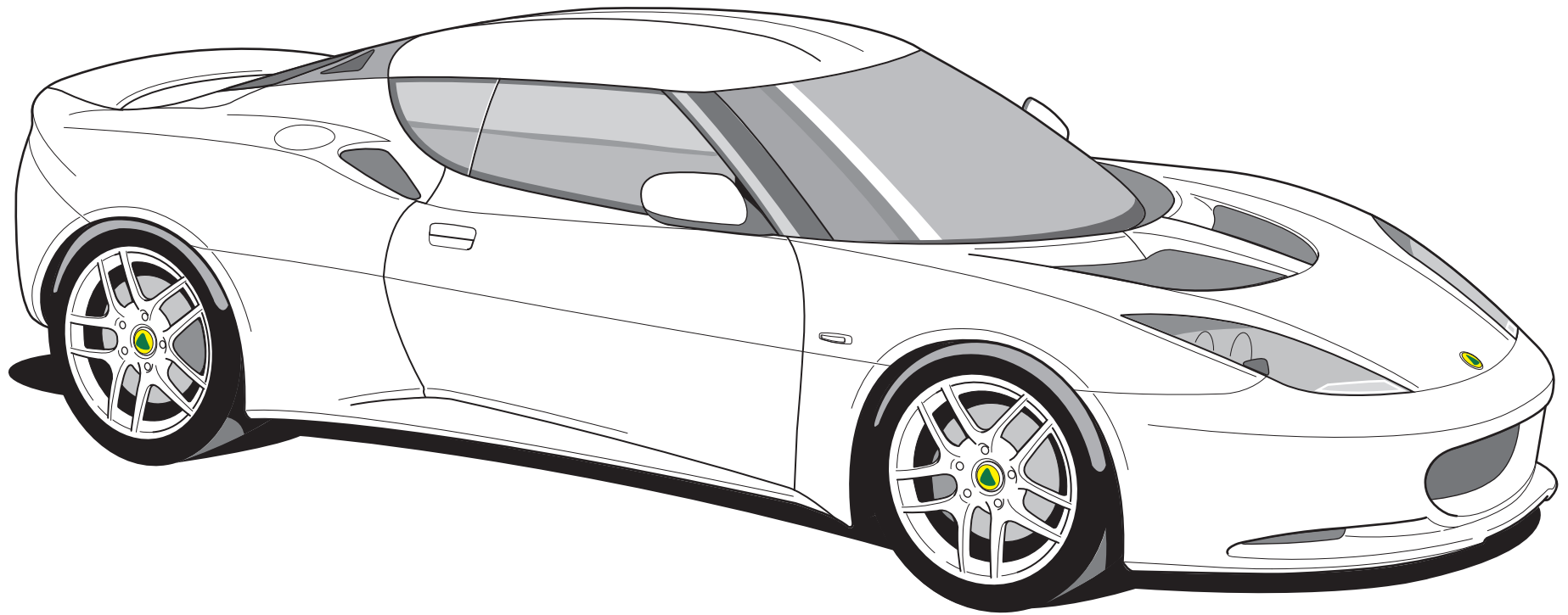




# EVORA SERVICE PARTS LIST



**EVORA**

Includes GP & Heritage Special Edition  
supplements

---

Technical Publications., Lotus Cars Ltd, Hethel, Norwich, Norfolk, NR14 8EZ. England.

Tel: +44 (0)1953 608000 [www.lotuscars.com](http://www.lotuscars.com)

© Lotus Cars 2009

Part Number A132T0325J

*Updated 1st June 2021*



## **10.00 Body**

---

- 10.01 Body: Front & Rear Clamshells & Fixings
  - 10.02 Body: Bodysides, Windscreen Frame & Rear Bulkhead
  - 10.04 Crash Structures
  - 10.09 Front Services Access Panels
  - 10.11 Tailgate & Release Mechanism
  - 10.13 Engine Compartment, Cover, Latch Mechanism
  - 10.15 Door Shells, Beams, Hinges
  - 10.17 Door Latch Mechanism
  - 10.17a Door Latch Mechanism (Inteva)
  - 10.23 Bumpers, Valences Spoilers & Aerofoils
  - 10.25 Undertray & Diffuser
  - 10.26 Front Undertray
  - 10.31 Towing Strut/ Hook
- 

## **11.00 Glazing and Seals**

---

- 11.01 Windscreen, Door Glass, Seals & Weather Strips
  - 11.02 Door Window Lift Mechanism
- 

## **12.00 Exterior Fittings**

---

- 12.01 Wheelarch Liners
  - 12.03 Grilles and Louvres
  - 12.04 Roof Panel, Seals & Fixings
  - 12.05 Decals, Badges & Protective Film
  - 12.07 Licence Plate Mountings
  - 12.09 Exterior Driving Mirrors
- 

## **13.00 Seats & Seat Belts**

---

- 13.01 Seat Runners
- 13.02 Seat Assemblies, front
- 13.19 Seat Assembly, rear

13.27 Seat Belts, front

13.29 Seat Belts, rear

---

## **14.00 Pedal Box & Fascia**

---

- 14.01 Pedal Box, Pedals, Throttle Control
  - 14.03 Footrests
  - 14.05 Fascia Structure & Supporting Hardware
  - 14.12 Passenger Fascia: Glovebox Assembly
- 

## **15.00 Interior Trim**

---

- 15.05 Interior Driving Mirror & Sunvisors
  - 15.07 'A' Pillar Interior Trim
  - 15.09 'B' & 'C' Pillar Interior Trim.
  - 15.11 Interior Trim & Stowage Provision
  - 15.12 Interior Luggage Retention, Evora 2 seat
  - 15.13 Front Door Trims
  - 15.18 Interior Trim, Chassis Trim Panels
  - 15.19 Centre Tunnel Trim, Gear Lever Gaiters/Shrouds
  - 15.23 Luggage Compartment Stowage
  - 15.24 Luggage Compartment Carpet
  - 15.30 Carpeting & Mats
- 

## **16.00 Sound Insulation**

---

- 16.01 Passenger Compartment Sound Insulation
- 

## **17.00 Electrical**

---

- 17.01 Harnesses, Leads
- 17.03 Horn, Inertia Switch, Modules, Fuses & Relays
- 17.05 Interior Switches, Auxiliary Power Socket
- 17.06 Engine Management & Sensors
- 17.07 Instruments, Tell Tales, & Displays
- 17.09 Transmission Management & Sensors



- 17.11 Exterior Lamps, Except Headlamps
- 17.13 Headlamps
- 17.17 Interior Lamps
- 17.21 Windscreen Wiper Motor, Wipers & Washers
- 17.27 In Car Entertainment
- 17.27a In Car Entertainment Fed
- 17.31 Battery, Clamps & Cables
- 17.33 Security Alarm System, Parking Sensors & Camera
- 17.35 Other Electrical, SIR: Inflator Modules, DERM & Sensors

---

### **18.00 Heating, Ventilation, Air Conditioning**

---

- 18.01 Heater/ Air Conditioning Assemblies, Housings
- 18.03 AC Components, Pipes, Hoses
- 18.05 Heater, Pipes, Hoses
- 18.09 Driver Operated Controls
- 18.12 AC/Heater Air Distribution Plenum
- 18.13 Air Trunking, Ducts & Ventilators
- 18.13a Air Trunking, Ducts & Face Level Vents

---

### **19.00 Labels & Literature**

---

- 19.01 Labels, Certificates, Literature etc.
- 19.03 Owner's Handbooks & Service Notes Manuals

---

### **30.00 Chassis**

---

- 30.01 Chassis, Subframes
- 30.02 Seat Belt Mounting Frames, Stays

---

### **31.00 Suspension**

---

- 31.01 Front Suspension, Incl. Hubs
- 31.03 Rear Suspension, Incl. Hubs

---

### **32.00 Steering**

---

- 32.03 Power Steering unit, Reservoir, Plumbing
- 32.05 Upper Column, Steering Wheel

---

### **33.00 Brakes**

---

- 33.01 Brake Discs, Calipers, & Parking Brake Assembly
- 33.03 Master Cylinder, Servo, ABS Controller, Pipes & Hoses
- 33.05 Parking Brake Mechanism

---

### **34.00 Wheels & Tyres**

---

- 34.01 Wheels, Tyres & Valves

---

### **40.00 Engine**

---

- 40.00 Engine Assemblies
- 40.01 Engine Block & Oil Pick Up
- 40.01a Engine Mounts
- 40.02 Gaskets & Sealants, Top Overhaul Set
- 40.02a Gaskets & Sealants, Bottom Overhaul Set
- 40.03 Sump Assembly
- 40.05 Cylinder Head , Valves, Springs
- 40.07 Camshafts, Tappets, Cam Cover
- 40.08 Camshaft Drive Chain & Sprockets
- 40.09 Pistons, Con-rods, Liners
- 40.11 Crankshaft, Bearings, Flywheel
- 40.13 Water Pump Assembly, Thermostat
- 40.15 Lubrication System
- 40.17 Ignition System, Spark plugs & Plug Top Coils
- 40.19 Alternator and Starter Motor
- 40.21 Exhaust Manifold
- 40.23 AC Compressor
- 40.25 Power Steering Pump, Pulley, Mounts & Fixings



---

**41.00 Belts and Pulleys**

---

41.03 Auxiliary Drive Belts & Pulleys

---

**42.00 Induction Systems**

---

42.01 Airboxes, Trunking & Air Filters  
42.04 Throttle Body, Mechanism & IAC Valve  
42.05 Fuel Injection System  
42.07 Inlet Manifold, Plenum & gaskets  
42.09 Supercharger

---

**43.00 Emission Equipment**

---

43.03 Vacuum System, Hoses, Pipes & Fittings

---

**44.00 Fuel System**

---

44.01 Fuel Tanks, Filler  
44.03 Fuel Pump; Filter, Pipes  
44.05 Charcoal Canister & Evaporative Loss System.

---

**45.00 Exhaust**

---

45.01 Exhaust System  
45.05 Heatshields

---

**46.00 Cooling**

---

46.01 Engine Cooling System & Fan  
46.02 Engine Cooling System  
46.03 Oil Cooler/Heat Exchanger & Pipes  
46.04 Front Ducts  
46.05 Engine Bay Cooling, Ducts & Trunking  
46.06 Twin Oil Cooler System Engine / Transmission  
46.07 Single Oil Cooler System Engine  
46.08 Single Oil Cooler System Auto Transmission

---

---

**47.00 Transmission**

---

47.01 Clutch & Release Mechanism  
47.02 Automatic Transmission  
47.03 Transmission Assembly  
47.04 Gearchange Mechanism, Auto  
47.05 Gearchange Mechanism, External  
47.06 Gear Selector Mechanism, Internal  
47.07 Gears, Shafts & Bearings  
47.08 Torque Converter  
47.11 Final Drive & Bearings  
47.15 Driveshafts & Seals

---

**60.00 Special tools**

---

60.01 Tool Kit  
60.01a Diagnostic Equipment  
60.02 Special Tools  
60.03 Fire Extinguisher, Gulf States

---

**80.00 Bulk Items**

---

80.20a Touch-in Paint Pencil Range

---

**90.00 Special Editions**

---

99.01 GP Edition  
99.02 Heritage Edition

---

## FOREWORD

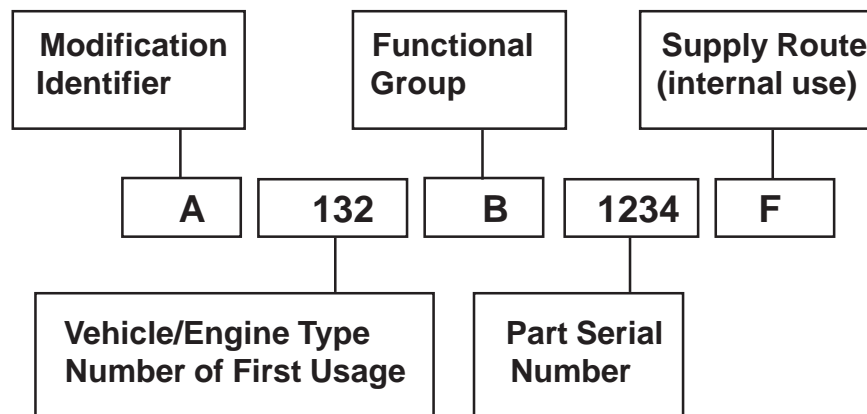
This publication has been designed for use by Lotus Dealers, and may be updated periodically by the issuing of update packages to the dealer network. Lotus policy is one of continuous product improvement and the right is reserved to alter specifications at any time without prior notice. Whilst every care has been taken to ensure correctness of information, it is impossible to guarantee complete freedom from omissions and errors, or to accept liability arising from such errors or omissions, but nothing herein contained shall affect your statutory rights.

## USE OF THE PARTS LIST

This parts list covers the Evora range, 2009 model year onwards. The manual is arranged in function groups, as defined by the Contents page, and may sometimes use several versions of the same function group to accommodate model variations - take care to establish the full vehicle specification in order to properly identify the applicable parts list section.

## PART NUMBERS

Part numbers used in this publication are in the format as follows:



**Modification Identifier:** This letter identifies a version or modification of the part. Part numbers with different prefix letters may or may not be interchangeable - refer to the remarks and option columns.

**Vehicle/Engine Type Number:** The type number indicates either the model or engine type on which the part was first used.

|                              |                          |                        |                    |                       |                         |
|------------------------------|--------------------------|------------------------|--------------------|-----------------------|-------------------------|
| 026, 036, 045, 500....Elan   | 079....Esprit S1/S2/S2.2 | 089....Excel           | 120....Elise111R   | 127....2-Eleven       | 907....4 cyl. 2.0 NA    |
| 050....Elan+2                | 082....Esprit Turbo      | 100....Elan 1990       | 121....Elise USA   | 128....Exige S (euro) | 910....4 cyl. 2.2 turbo |
| 046, 054, 065, 074....Europa | 083....Elite S2          | 111....Elise           | 122....Exige 2     | 129....Exige S (fed)  | 912....4 cyl. 2.2 NA    |
| 075....Elite S1              | 084....Eclat S2          | 340....340R            | 123....Exige USA   | 131....Elise S (1ZZ)  | 918....V8 3.5 turbo     |
| 076....Eclat S1              | 085....Esprit S3         | 117....Elise 2 (Rover) | 124....Europa 2006 | 132....Evora          | 920....4 cyl. 2.0 turbo |

**Functional Group:** A single letter indicating the functional area of the parts first use

A = Chassis

E = Engine

J = Brakes

P = Heater & AC

U = Hard Trim

B = Body

F = Transmission

K = Cooling

Q = Clutch

V = Soft Trim

C = Front Suspension

G = Wheels & Tyres

L = Fuel System

R = Final Drive

W = Standard Fixings

D = Rear Suspension

H = Steering

M = Electrics

S = Exhaust

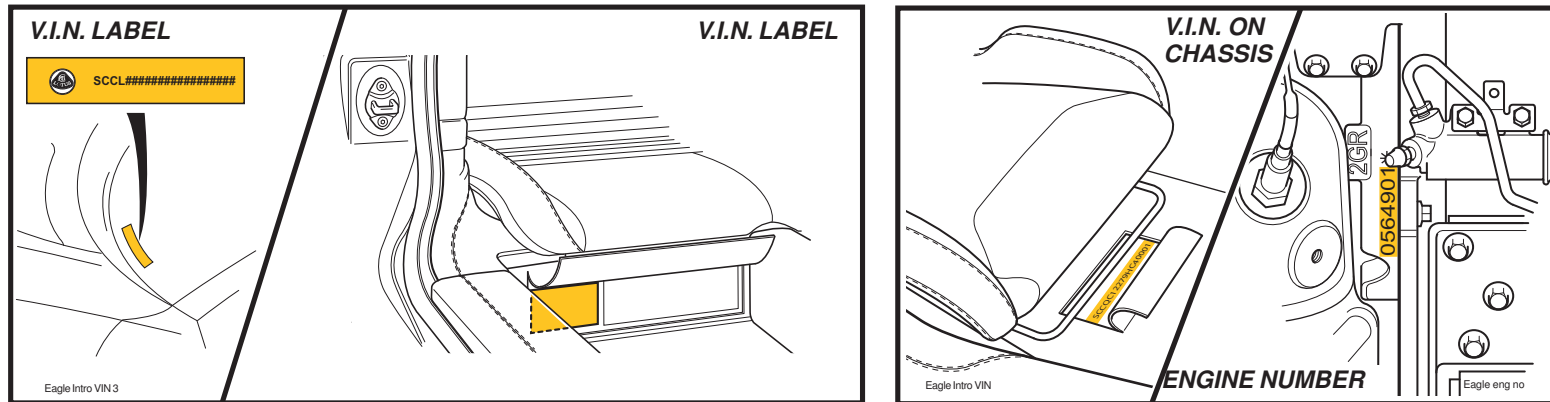
*Updated 1st October 2018*

## VEHICLE IDENTIFICATION NUMBER & ENGINE NUMBER

The Vehicle Identification Number (V.I.N.) is located on the left hand side of the windscreen and printed on a label stuck to the tank bay behind the driver's seat, it is also stamped on the chassis on the right hand front seat support crossmember, viewable beneath the rear carpet. The engine number is marked on a vertical patch at the right hand side of the rear face of the cylinder block, adjacent to the clutch housing.

Both numbers should always be quoted with any vehicle enquiries, as Factory records are filed against V.I.N., and specification change points are identified by V.I.N. or engine number. The vehicle licence number should be considered irrelevant, since it may not accurately reflect the vehicle age, and may also be changed during the car's life.

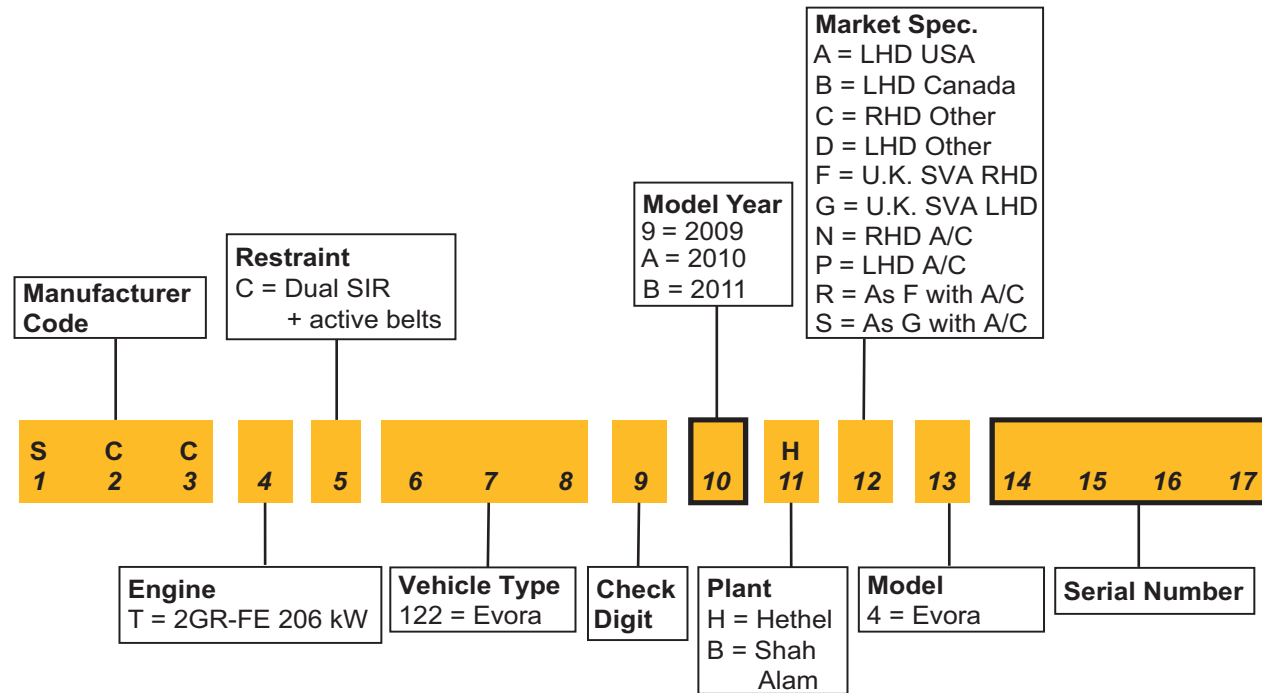
The V.I.N. comprises 17 characters, coded in accordance with European Economic Community (EEC) directives. For change point identification in Service Notes and Service Parts Lists, characters 10 (model year) and 15 - 17, or 14 - 17 (serial number) will be quoted.



**EVORA**

*Updated 1st July 2015*

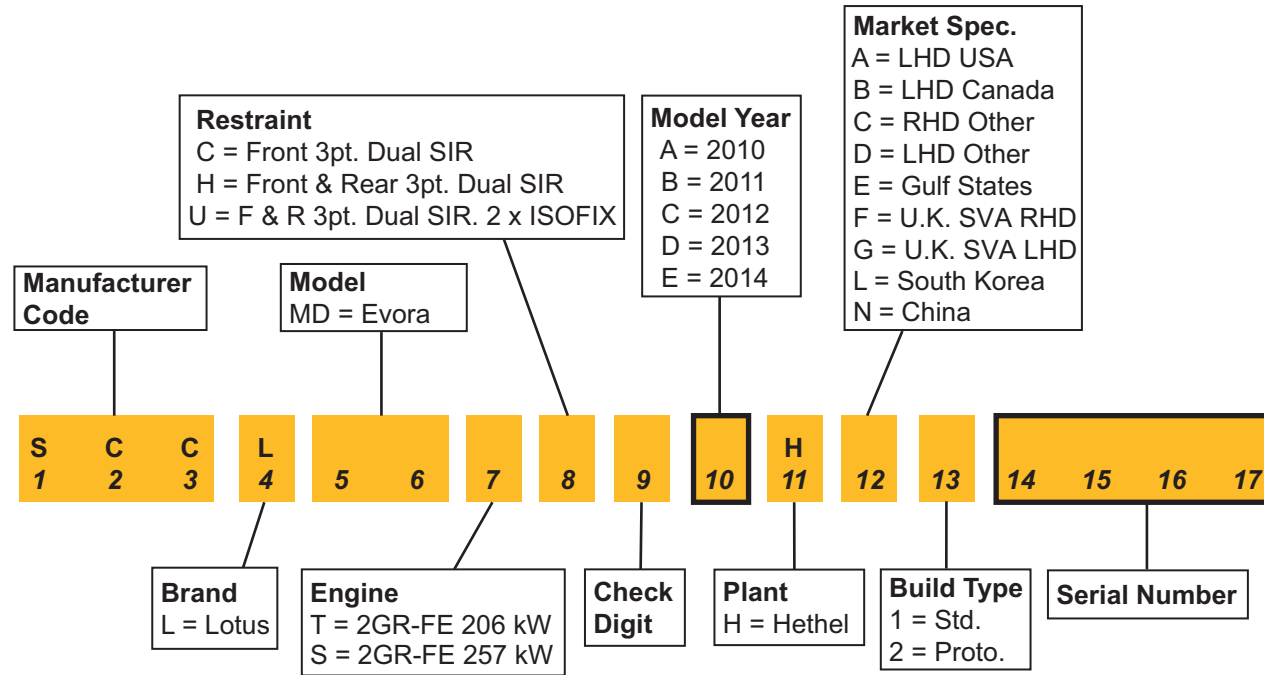
2009 M.Y. to 2010 M.Y serial no 0359.



**EVORA**

*Updated 2nd November 2018*

2010 M.Y. serial no. 0360 to 2014 M.Y.

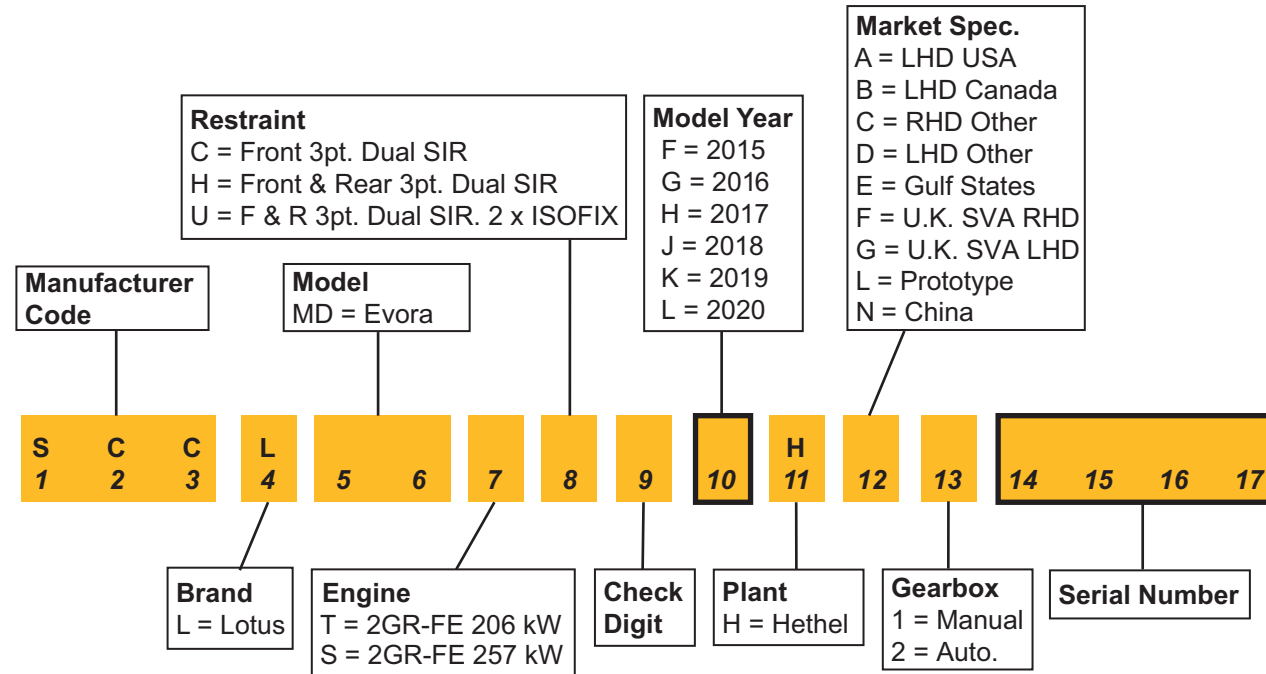


**EVORA**

*Updated 1st July 2015*



2015 M.Y. onwards



**EVORA**

*Updated 1st July 2015*



Apr 2009 Evora



Mar 2010 Fed Evora



July 2010 Naomi



Dec 2010 S



MY 2011 Fed Bi Colour



Mar 2011 IPS



June 2011 Fed S Heritage



Aug 2011 S IPS



Sept 2011 S GP



Oct 2011 Freddie Mercury Ed.



Dec 2012 Sportsracer



July 2012 GTE



April 2010 Cup GT4



Feb 2011 GT4

*Updated 2nd January 2018*

## MODEL HISTORY MILESTONES

### **Evora Introduction:**

First deliveries commence June 2009 at '09 VIN serial number 0721.

### **Federal Evora Introduction: March 2010**

VIN character 12 = A; from VIN number AH\_10716.

Differences when compared with ROW Evora include:

Different driver and passenger airbags, driver and passenger seats, ABS module incorporates ESP (Electronic Stability Control). Foam inserts behind front and rear bumpers and the addition of side marker lamps. Emergency interior release handle for tailgate. Electrical Sirius satellite system available with 'Tech Pack'

### **Evora Cup GT4 April 2010**

Motorsport Track race car

Powered by a 4 liter V6, up from the 3.5liter 276bhp providing 390bhp  
6 speed sequential gearbox

### **Naomi Evora for Haiti: July 2010**

8 Cars

Lotus collaboration with Naomi Campbell and the White Ribbon Alliance's Fashion for Relief campaign. Designed and donated 8 bespoke charity cars on the 12th January 2010. 7 cars finished in unique Ice White (C129) with Volvo Maya Gold (Dupont stock code M5151) highlights on front & rear clams & doors. 1 car in F1 green with Solar Yellow stripes. Wheels 10 spoke sterling silver (stealth grey optional)

### **Evora Bi colour 2011MY USA**

Black Pack added by LCU to 21 2011MY cars produced solely by LCU

Based on Alicia Key's car,

### **Evora S (Supercharged) new features for base Evora (Non-USA): December 2010**

VIN character 7 = S indicates supercharged engines from '11MY VIN BH\_11178

#### **S updates only**

*Engine (S only):* Harrop HTV1320 supercharger fitted with higher flow fuel injectors, uprated fuel pump, revised spark plugs.

*Exhaust system:* incorporates an exhaust silencer flap operated by an integrally mounted vacuum by-pass valve.

*Cooling:* fitted with twin front mounted air/oil coolers,

*Body (S only):* door mirror covers painted Phantom Black (Lotus code B123) as standard. Rear undertray: Additional integral underside air scoop used in conjunction

with existing NACA ducts. New diffuser panel to accommodate distinctive diffuser finisher and tri-oval tailpipe silencer. Addition of the 'S' logo to the existing Evora rear bumper badge, Front intake grilles: Front bumper side intake grilles revised and blanking plates removed to allow airflow to the oil coolers.

*Brakes (all models):* revised ABS module incorporating electronic stability control (also referred to as Lotus DPM). Cross drilled brake discs and black painted callipers fitted to supercharged models as standard.

*Suspension:* front lower wishbones revised (S only). Front upper wishbones revised (all models). *Rear suspension:* both upper and lower wishbones revised and rear anti-roll bar diameter increased (S only).

*Wheels & tyres:* Optional Front 19" Rear 20" Forged alloy Diamond Cut "Design" fitted wheels with Bespoke Pirelli P-Zero Corsa tyres with specially formulated compound identified with an LS marking on sidewall.

*Transmission (S only):* sports ratio gearbox fitted as standard, lightweight low inertia flywheel and heavy duty clutch (S only). Revised pedal box and clutch master cylinder (all models). Clutch line damper in fluid line, inertia weights fitted to gearbox crank lever selector, new low loss motion and low friction gearshift cables (all models).

*Electrical (all models):* heated front seats, interior tailgate release button, additional 12V aux power socket in centre console.

*Air bags (all models):* Federal airbags and seats carried over to all markets and referred to as 'Global system'.

See TSB 2010/17 for further information.

### **Introduction of the Federal Evora S and specification enhancements carried over to base Evora: May 2011**

VIN character 7 indicates the engine specification.

T = naturally aspirated S = supercharged

Evora S introduced at '11MY VIN BHA11652 Base Evora enhancements introduced at '11MY BH\_11178 New features and specifications similar to those of non-USA Evora S introduced December 2010.

See Technical Service Bulletin TSB 2011/18 for further information

### **Evora GT4 February 2011**

Motorsport Track race car

Purpose-built racing engine

Fuel-injected and normally aspirated 3.5-litre V6 engine developing 356bhp (360PS) 6-speed sequential manual transmission

*Updated 2nd January 2018*

### **Introduction of the Evora IPS (Intelligent Precision Shift) Non USA: March 2011**

Introduced from '11MY VIN BH\_11746

Same vin characters as naturally aspirated Evora

*Electrical:* TCU (Transmission Control Unit) to control IPS transmission.

*Transmission:* 6 speed U660E conventional fluid filled automatic transmission and torque converter assembly electronically controlled with shift by wire actuator.

*Interior:* Paddle shifters added to steering wheel, centre console fitted with PRND selector.

*Cooling:* The same front mounted air/oil coolers used on the Evora 'S' for engine oil cooling are now used to cool the transmission fluid with the sandwich plate/thermostat assembly now mounted remotely to the rear bulkhead.

See TSB 2011/13 for further information.

### **Introduction of the '12 model year Evora range and S with IPS transmission (Supercharged with Intelligent Precision Shift). (Non USA): August 2011**

VIN character 10 = C Serial number restarts at 0001, common to all.

VIN character 7 indicates the engine specification.

T = naturally aspirated (Manual or IPS).

S = supercharged (Manual or S with IPS transmission) variants.

*Body styling:* Unchanged with the following exceptions: Door mirror covers: All supercharged models will retain Phantom Black painted covers (Lotus code C123 Cromax Pro painting system) as standard. Exterior door handles: The chrome option has been deleted with only body coloured options available. Diffuser panel: The diffuser panel fitted to the supercharged manual vehicle is also fitted to the S with IPS transmission option to accommodate distinctive diffuser finisher and tri-oval tailpipe silencer. *Badges:* The 'S' logo will also be applied to the rear bumper on the S with IPS transmission option. Front bumper: To accommodate the rationalisation of the engine and transmission oil cooler arrangements, the side intake apertures on the front bumper are revised to accept new front grilles and inlet ducts. The grilles are now bolted to the bumper with the corresponding LH/RH ducts located behind them being closed off if an oil cooler is not required on that side. Rear lamp bezels: Supercharged vehicles will have black bezels; naturally aspirated vehicles will continue to use the existing chrome versions.

*Seats:* New leather seat colours are available dependant on interior pack option selected (Base, Executive Premium or Sports Premium). Ebony black, Ivory white, Venom red, Cognac brown, Imperial blue, Cocoa brown, Ash brown. Rear seats and relevant interior trims are coloured to match.

*Interior trims:* A new colour (dark grey) introduced in addition to the current grey option, beige colour trim is deleted for '12 model year. Specific interior trims are coloured black to denote 'Supercharged' variant.

*In Car Entertainment:* For specific markets the Alpine IVA-W520R 2 DIN Mobile Media Station is replaced with the Pioneer AVIC-930BT 2 DIN head unit.

*Exhaust:* An exhaust silencer incorporating an EP (Engine Protection) valve is now be fitted to all '12MY vehicles as standard equipment. *Catalytic converters:* The main/under-floor catalytic converter is deleted and replaced with a link pipe.

*Engine cooling:* Oil cooling for both supercharged manual and IPS transmission vehicles is rationalised with the fitment of only a single larger engine oil cooler mounted ahead of RH front wheelarch. *Transmission fluid cooling:* Both supercharged and naturally aspirated IPS transmission vehicles is also rationalised with the fitment of a single larger transmission fluid oil cooler mounted ahead of LH front wheel arch.

*Brake and Power Assisted Steering pipes:* fitted to the RH have been revised to allow for the fitment of an additional cooler hose and revised cooler arrangement.

*Manual Transmission:* The standard ratio gearbox option is deleted for naturally aspirated vehicles, and the sports ratio gearbox is now fitted as standard.

*Brake Discs:* Cross drilled brake discs fitted to all supercharged models as standard equipment. *Brake Callipers:* Red painted callipers replace the black coloured option and are fitted as standard to all supercharged vehicles or included in the 'Sports Pack' option for naturally aspirated vehicles. Bare metal callipers are fitted as standard to naturally aspirated vehicles.

*Suspension Wishbones and rear anti-roll bars:* '12 model year IPS and S with IPS transmission vehicles are fitted with the 'S' type wishbones and larger diameter rear anti-roll bar. This will also be implemented as a production running change to naturally aspirated manual vehicles at a later date.

*Optional Wheels:* New Front 19" Rear 20" Forged wheels are available in both Gloss Black and Stealth Grey which are based on the 19"/20" alloy Diamond Cut designs launched with the Evora S but without the machined faces which are now deleted.

See Technical Service Bulletin TSB 2011/25 for further details.

### **Evora S GP: September 2011**

7 Special edition paint versions produced based on the '11MY European supercharged vehicle and 18 'MY12 produced for the Federal market. Main body finished in Motorsport Black (Lotus paint code C152) with inset painted Gold stripes (Lotus paint code C164) and gold badges, Total Red mirror pods (Lotus paint code C154), also fitted gold coloured finished wheels and Union Jack decals above the side repeaters.

Fitted with Premium sport trim, suedetex trim pack with red stitching, black aluminium dash panel trims, steering wheel and console finishers.

### **Freddie Mercury Evora S October 2011**

The car, which was bought at a charity auction by Radio DJ and TV host Chris Evans in pearl white paint with red and gold accents outside and features the Queen front-man's signature. Yellow interior The seats feature a Union Jack on their backs.

*Updated 2nd January 2018*

**Introduction of the '12 MY Federal Evora range and S with IPS transmission (Supercharged with Intelligent Precision Shift): February 2012**

VIN character 10 = C Serial number starts at CH\_10089

VIN character 7 indicates the engine specification.

T = naturally aspirated (Manual or IPS).

S = supercharged (Manual or S with IPS transmission) variants.

New features and specifications for '12MY Federal Evora are similar to those of '12MY non-USA one major difference is that the main/under-floor catalytic converter is **NOT** deleted or replaced with a link pipe.

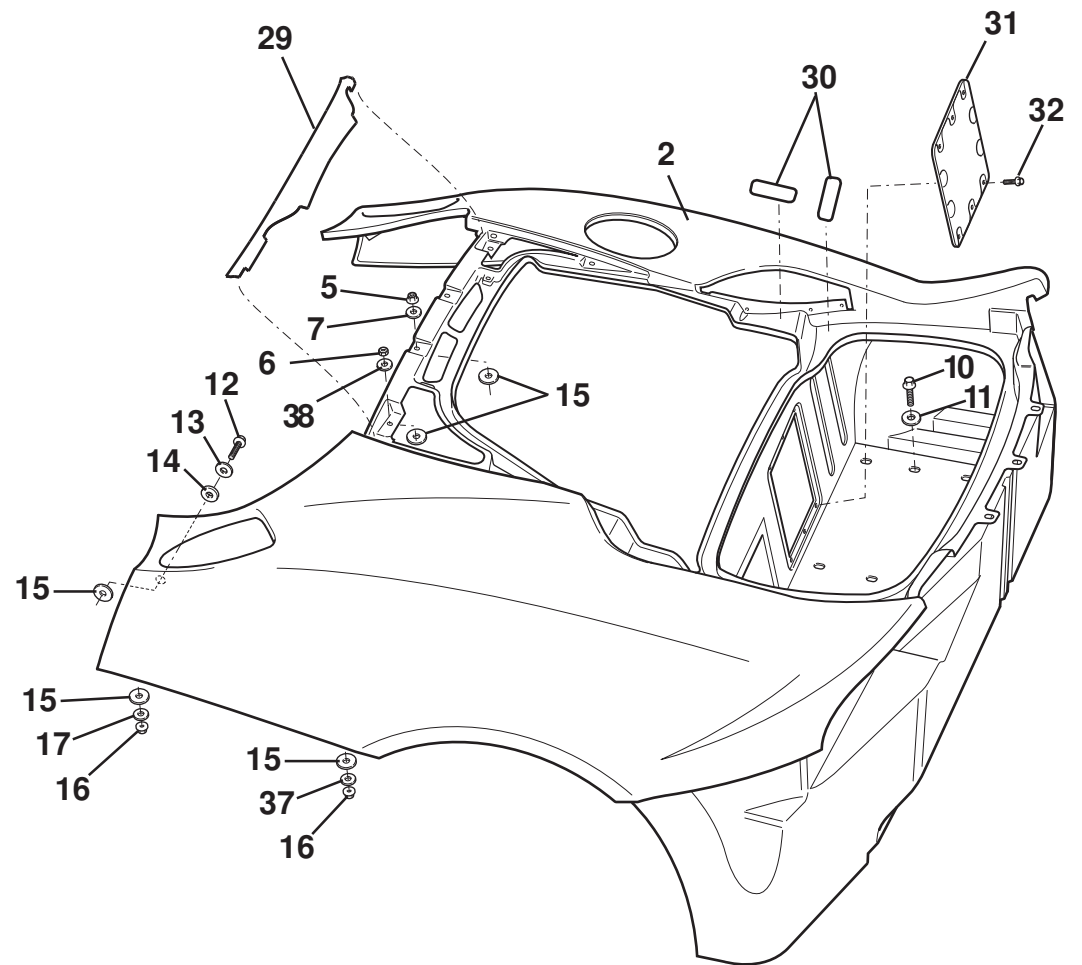
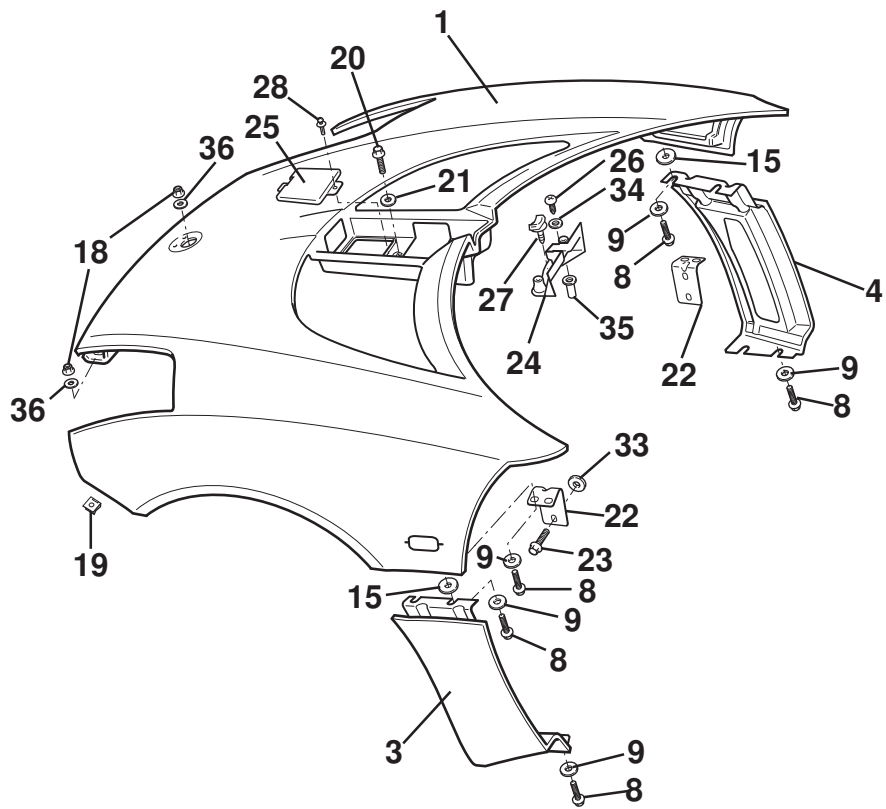
See Technical Service Bulletin TSB 2012/02 for further details.

**Sports Racer: December 2012**

Special paint version of '13MY normally aspirated, supercharged manual and IPS vehicles incorporating Phantom Black painted (Lotus paint code C123) front splitter, sills, rear diffuser, rear lamp bezels, mirror pods roof and rear badges with enamel Union Jack badges below the side repeaters.

Fitted with Premium sport trim in Black or Venom Red and suedetex trim pack with Black or Red stitching, black aluminium dash panel trims, steering wheel and console finishers.

*Updated 2nd January 2018*



**EVORA**

**10.01**

*Updated 3rd June 2016*

# Service Parts List

# EVORA



## Function Code 10.01 Body: Front & Rear Clamshells & Fixings

| <u>Dep</u> | <u>Part Description</u>                                 | <u>Remarks</u> | <u>Option</u> | <u>Part Number</u> | <u>Qty</u> |
|------------|---|----------------|---------------|--------------------|------------|
| 01         | Clamshell, front  |                | Primed        | A132B0008K         | 1          |
| 02         | Clamshell, rear   |                | Primed        | A132B0026K         | 1          |
| 03         | 'A' Panel, LH   |                | Primed        | A132B4007K         | 1          |
| 04         | 'A' Panel, RH   |                | Primed        | A132B4008K         | 1          |
| 05         | Nyloc Nut M8, flg., rear clamshell to roof              |                |               | A075W3021F         | 2          |
| 06         | Nyloc Nut, M8, thin, rear clamshell to roof             |                |               | A907E6284F         | 2          |
| 07         | Washer, M8 x 20 x 1.5 S/S, rear clamshell to roof       |                |               | A111W4176F         | 2          |
| 08         | Screw, M6 x 20, hex. flg. hd., 'A' panel + clam. Fixing |                |               | A132W5004F         | 10         |
| 09         | Washer, flat, M6 x 18 x 1.0, 'A' panel fixing           |                |               | A082W4018F         | 8          |
| 10         | Screw, M8 x 25, hex. flg. hd., rear clam. to subframe   |                |               | A132W5006F         | 8          |
| 11         | Washer, flat, M8 x 25 x 1.5 S/S rear clam. to subframe  |                |               | B075W4021Z         | 8          |
| 12         | Screw, M6 x 16, hex. flg. hd., rear clam. to bodyside   |                |               | A132W5003F         | 2          |
| 13         | Washer, flat, M6 x 25 x 1.4 S/S, rear clam. to bodyside |                |               | B075W4017Z         | 2          |
| 14         | Neoprene Washer, rear clam. to bodyside                 |                |               | A111U6055F         | 2          |
| 15         | Shim, 9 x 28 x 3, clamshell setting                     |                |               | A124B0255F         | As req.    |
| 15a        | Shim, 9 x 28 x 2, clamshell setting                     |                |               | A124B0256F         | As req.    |
| 15b        | Shim, 9 x 28 x 1 'C' type, clamshell setting            |                |               | A124B0257F         | As req.    |
| 16         | Nyloc Nut, M6, thin, rear clam. to bumper               |                |               | A907E6285F         | 6          |

EVORA

**Function Code 10.01 Body: Front & Rear Clamshells & Fixings**

| <u>Dep</u> | <u>Part Description</u>                               | <u>Remarks</u>                        | <u>Option</u> | <u>Part Number</u> | <u>Qty</u> |
|------------|---|---------------------------------------|---------------|--------------------|------------|
| 17         | Washer, flat, M6 x 25 x 1.4 S/S, rear clam. to bumper |                                       |               | B075W4017Z         | 6          |
| 18         | Nut, flg. M6, clamshell to subframe                   |                                       |               | A121W3196F         | 4          |
| 19         | Spirenut, M5, clamshell to bumper front               |                                       |               | B100W6372F         | 4          |
| 20         | Screw, M6 x 20, hex. flg. hd., front clamshell fixing |                                       |               | A132W5004F         | 2          |
| 21         | Washer, flat, M6 x 18 x 1.6, front clamshell fixing   |                                       |               | A121W4196F         | 2          |
| 22         | Bracket, front clamshell rear outer fixing            |                                       |               | A132U0369F         | 2          |
| 23         | Screw, M6 x 20, hex. flg. hd., bracket to chassis     |                                       |               | A132W5004F         | 4          |
| 24         | Infill Panel, front clamshell                         | Mounts screenwash jet + hatch buffers |               | C132U0310F         | 1          |
| 25         | Cover, HVAC pollen filter access                      |                                       |               | A132U0391F         | 1          |
| 26         | Screw M5 x 25 pan poz, infill to clamshell            |                                       |               | A082W5185F         | 2          |
| 27         | Fir Tree Saddle, cable tie, infill to clamshell       |                                       |               | A082W6293F         | 1          |
| 27a        | Cable Tie, screenwash harness                         | Not illustrated, used with item 27    |               | A075W6038Z         | 1          |
| 28         | Plastic Fastener, cover to clamshell                  |                                       |               | A100W6391F         | 1          |
| 29         | Film, water deflector                                 |                                       |               | B132U0466F         | 1          |
| 30         | Protective Film                                       | Supplied in sheets                    |               | A132X0023F         | 1          |
| 31         | Boot Access Panel                                     | See 1601 for insulation               |               | A132B0121F         | 1          |
| 32         | Screw M6 x 12 flg hd, access panel                    |                                       |               | A132W5010F         | 6          |
| 33         | Spacer, frt clam to tub                               |                                       |               | A132U0496F         | 4          |
| 34         | Washer M5 x 19 x 1.4 s/s                              |                                       |               | B082W4107F         | 2          |
| 35         | Rawlnut M5  |                                       |               | A075W6074F         | 2          |

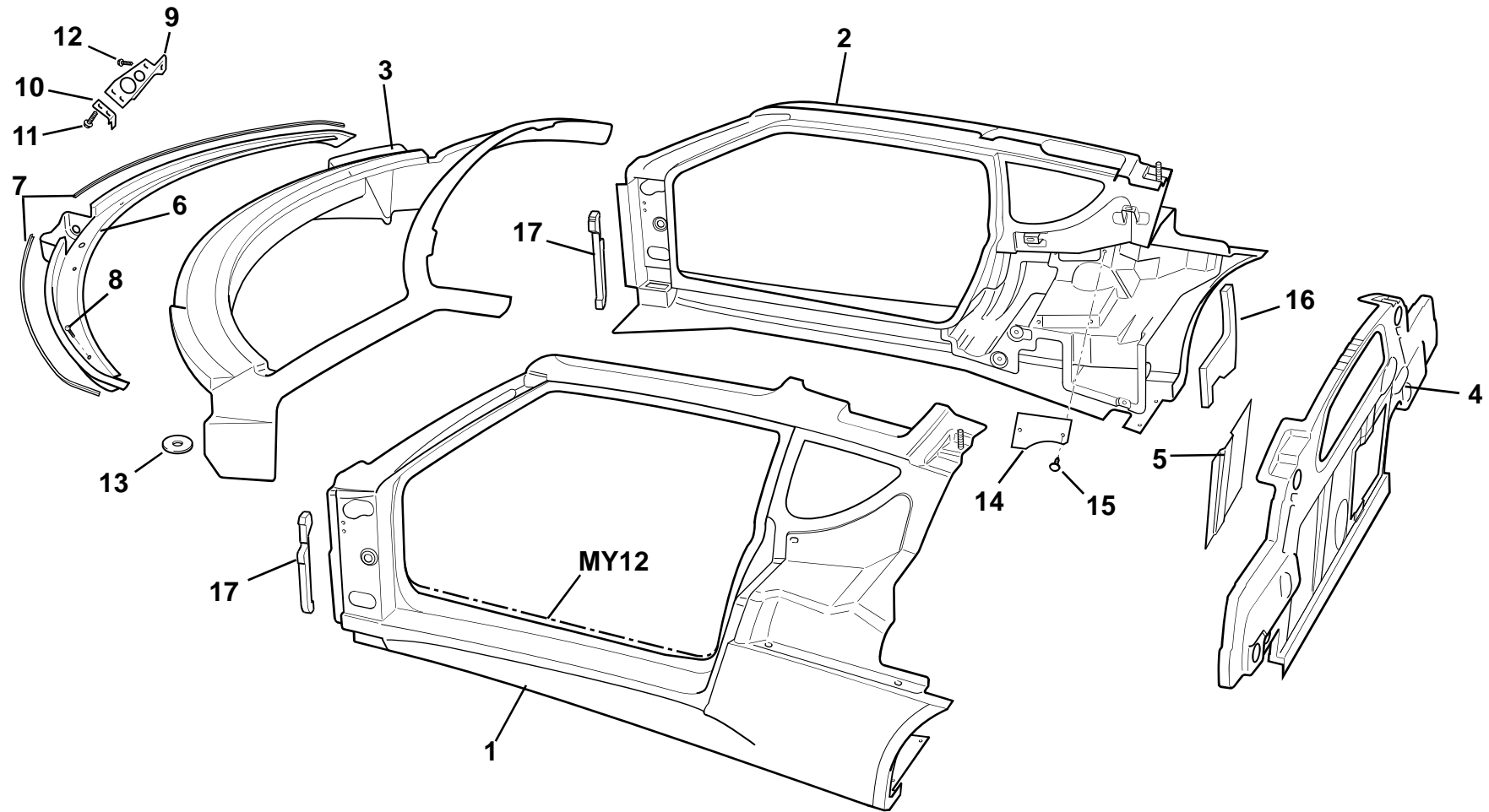




---

**Function Code 10.01 Body: Front & Rear Clamshells & Fixings**

| <u>Dep</u> | <u>Part Description</u>                             | <u>Remarks</u> | <u>Option</u> | <u>Part Number</u> | <u>Qty</u> |
|------------|---|----------------|---------------|--------------------|------------|
| 36         | Washer, flat, M6 x 18 x 1.6, front clamshell fixing |                |               | A121W4196F         | 3          |
| 37         | Washer, flat, M6 x 18 x 1 rear clam. to bumper      |                |               | B075W4018Z         | 2          |
| 38         | Washer, M8 x 25 x 1.5 S/S, rear clamshell to roof   |                |               | B075W4021Z         | 2          |



**EVORA**  
10.02

*Updated 4th March 2019*

# Service Parts List

# EVORA



## Function Code 10.02 Body: Bodysides, Windscreen Frame & Rear Bulkhead

| <u>Dep</u> | <u>Part Description</u>                           | <u>Remarks</u>            | <u>Option</u>          | <u>Part Number</u> | <u>Qty</u> |
|------------|---|---------------------------|------------------------|--------------------|------------|
| 01         | Bodyside Assembly, LH                             |                           | Primed                 | A132B4031K         | 1          |
| 01a        | Bodyside Assembly, LH                             | Sill aperture area raised | Primed. MY12           | D132B4031K         | 1          |
| 02         | Bodyside Assembly, RH                             |                           | Primed                 | A132B4032K         | 1          |
| 02a        | Bodyside Assembly, RH                             | Sill aperture area raised | Primed, MY12           | D132B4032K         | 1          |
| 03         | Windscreen Frame Assembly                         |                           | Primed                 | A132B0039K         | 1          |
| 04         | Rear Bulkhead Assembly                            |                           |                        | A132B0107J         | 1          |
| 04a        | Rear Bulkhead Assembly                            | Additional fixings        | Auto (NA & S/Charged)  | A132B0186J         | 1          |
| 05         | Access Panel, rear bulkhead                       |                           |                        | A132B0120F         | 1          |
| 06         | Gutter Panel, windscreen, LHD                     |                           |                        | B132U4357J         | 1          |
| 06a        | Gutter Panel, windscreen, LHD                     |                           | Gulf states            | A132U0999F         | 1          |
| 06b        | Gutter Panel, windscreen, RHD                     |                           |                        | B132U4358J         | 1          |
| 07         | Seal, gutter to clamshell                         |                           |                        | A132U0390F         | 2          |
| 08         | Screw, button skt hd.m5 x 12 blk, gutter to frame |                           |                        | A132W5033F         | 4          |
| 09         | Bracket, support windscreen frame RHD             |                           | S/Charged (man & auto) | C132B4098F         | 1          |
| 09a        | Bracket, support windscreen frame RHD             |                           |                        | B132B4098F         | 1          |
| 09b        | Bracket, support windscreen frame LHD             |                           | S/Charged (man & auto) | C132B4097F         | 1          |
| 09c        | Bracket, support windscreen frame LHD             |                           |                        | B132B4097F         | 1          |
| 10         | Bracket, support windscreen frame RHD             |                           | S/Charged (man & auto) | A132B0202F         | 1          |

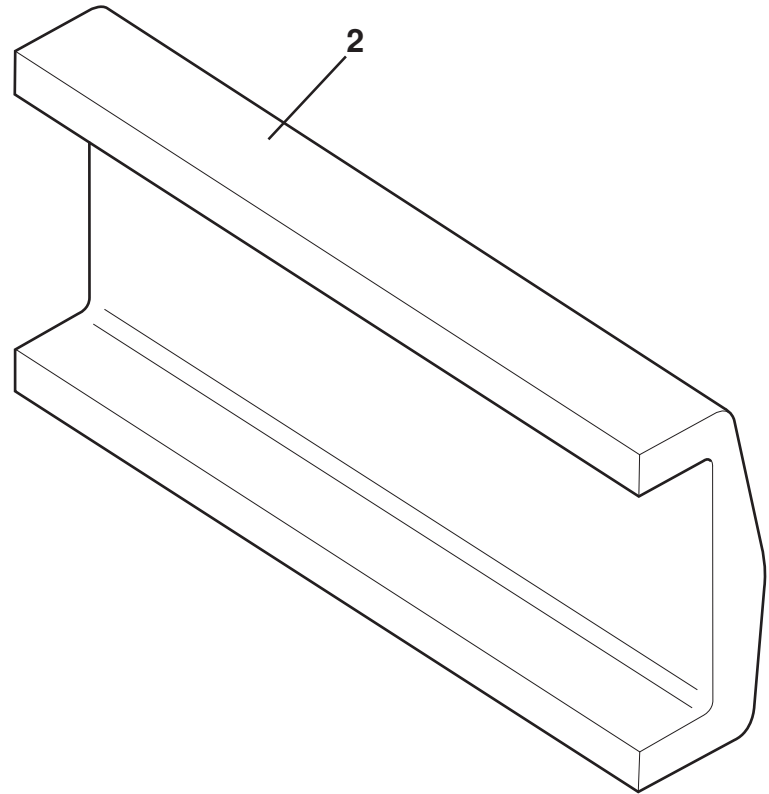
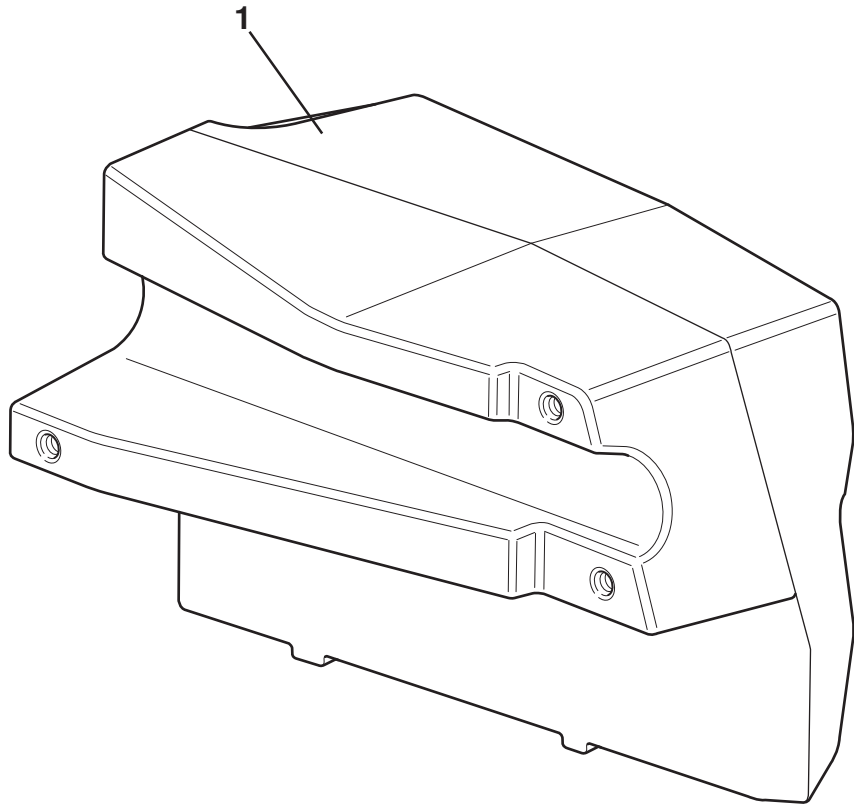
EVORA

---

**Function Code 10.02 Body: Bodysides, Windscreen Frame & Rear Bulkhead**

| <u>Dep</u> | <u>Part Description</u>                           | <u>Remarks</u> | <u>Option</u> | <u>Part Number</u> | <u>Qty</u> |
|------------|---|----------------|---------------|--------------------|------------|
| 11         | Screw, M6 x20 flg hd. bracket to pedalbox         |                |               | A132W5004F         | 2          |
| 12         | Screw, M8 x20 flg hd. windscreen frame to bracket |                |               | A132W5005F         | 3          |
| 13         | Spacer, 4.6mm, windscreen frame to chassis        |                |               | A132U0225F         | 2          |
| 14         | Blanking Panel                                    |                | No Subwoofer  | B132B0153F         | 1          |
| 15         | Fir Tree Fastener, button hd., blanking panel     |                |               | A132W6006F         | 2          |
| 16         | Foam Block, subwoofer seal                        |                | Tech Pack     | A132M0187F         | 1          |
| 17         | Foam A Pillar Lower                               |                |               | A132U0392F         | 2          |

---



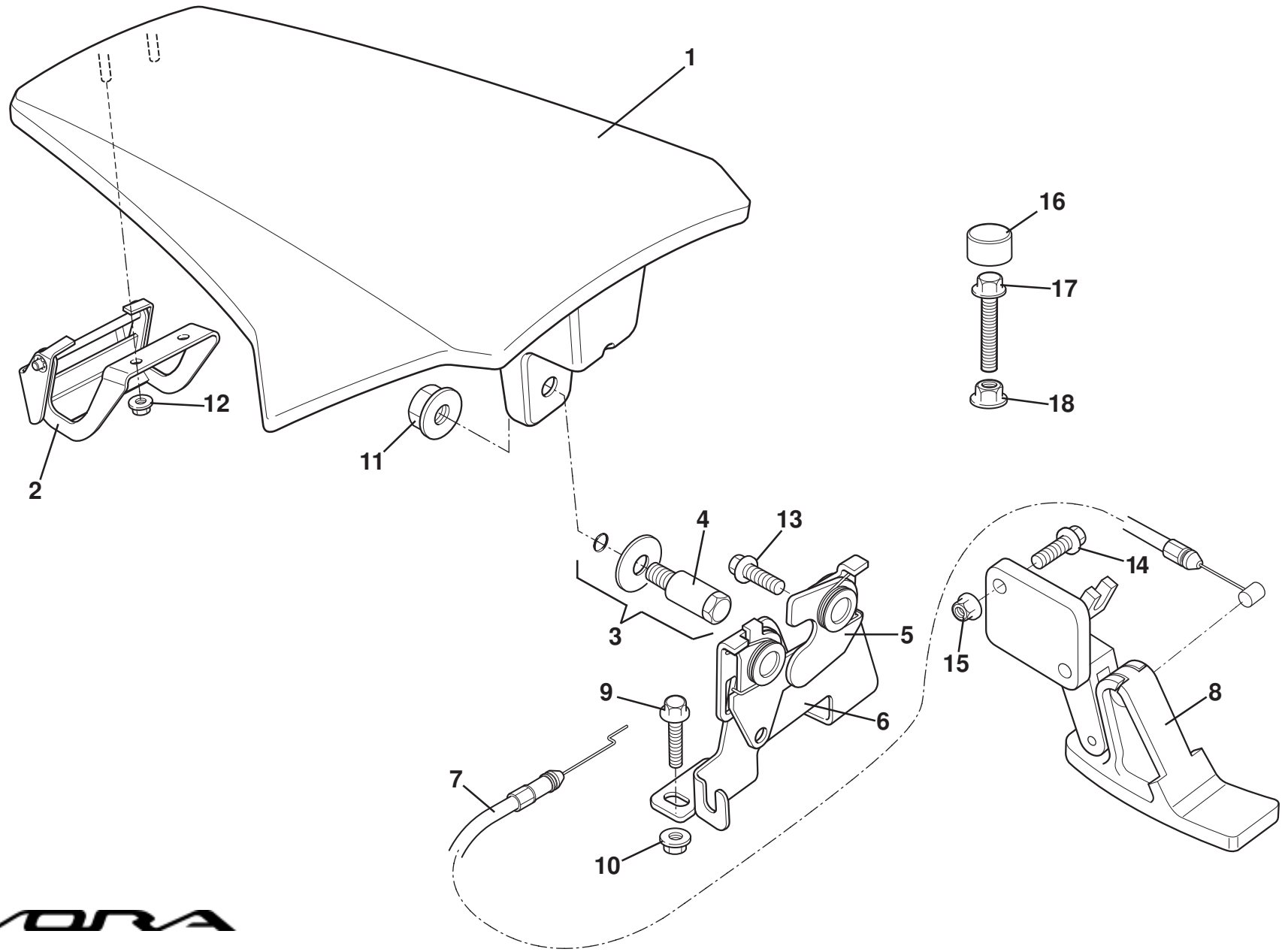
**EVORA**

**10.04**

---

**Function Code 10.04 Crash Structures**

| <u>Dep</u> | <u>Part Description</u>     | <u>Remarks</u> | <u>Option</u> | <u>Part Number</u> | <u>Qty</u> |
|------------|-----------------------------|----------------|---------------|--------------------|------------|
| 01         | Foam, side impact, side, LH |                |               | C132B4073F         | 1          |
| 01a        | Foam, side impact, side, RH |                |               | C132B4074F         | 1          |
| 02         | Foam, side impact, door     |                |               | B132B0050F         | 2          |



**EVORA**  
10.09

# Service Parts List

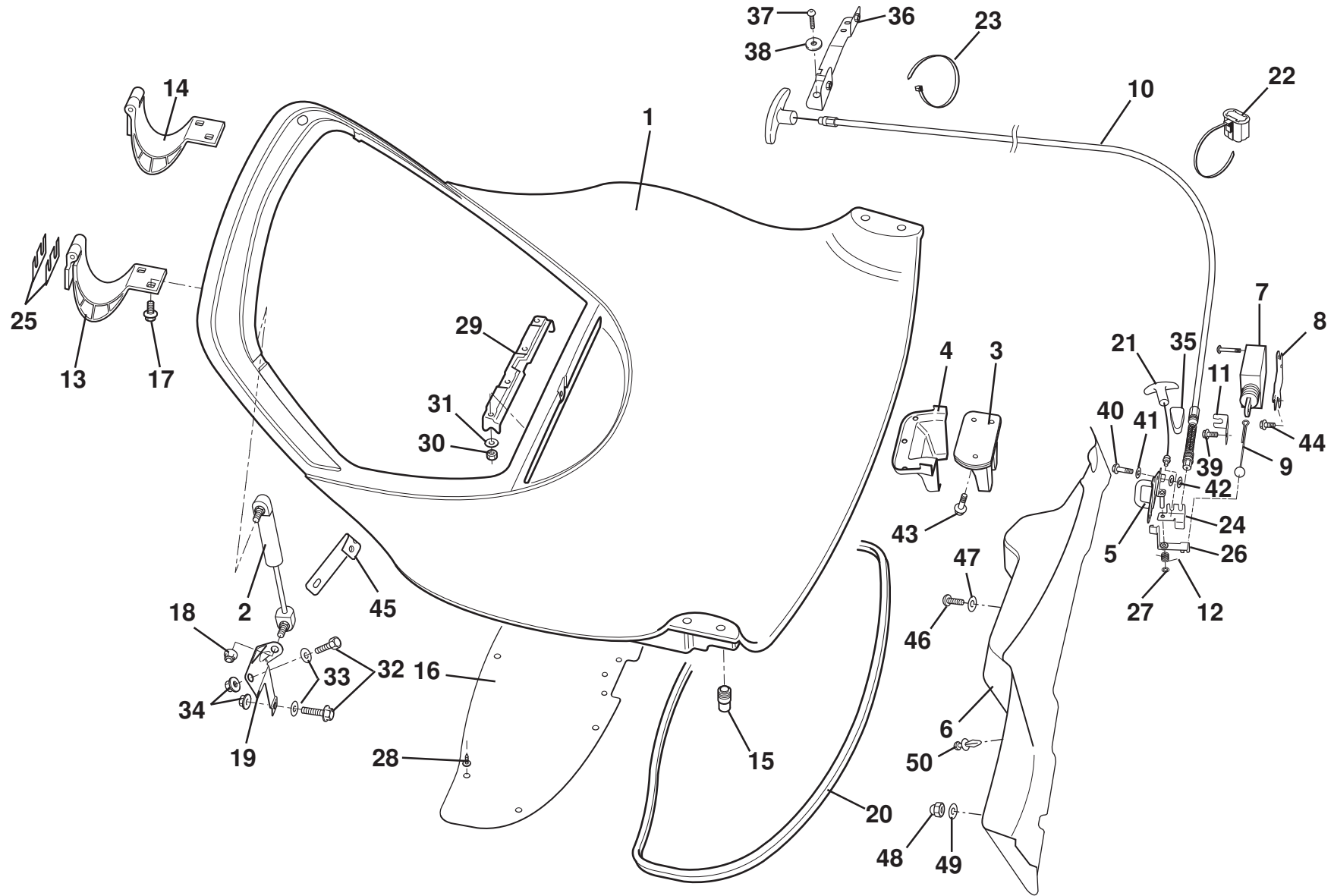


## Function Code 10.09 Front Services Access Panels

| <u>Dep</u> | <u>Part Description</u>                            | <u>Remarks</u>        | <u>Option</u> | <u>Part Number</u> | <u>Qty</u> |
|------------|--|-----------------------|---------------|--------------------|------------|
| 01         | Access Hatch, front                                |                       | Primed        | A132B0013K         | 1          |
| 02         | Hinge Assembly, front hatch                        |                       |               | B132U0034F         | 1          |
| 03         | Striker Bolt Assembly                              | Not including Item 04 |               | A132U6051F         | 1          |
| 04         | Collar, striker pin                                |                       |               | A132U0379F         | 1          |
| 05         | Latch Assembly                                     |                       |               | A132U6088F         | 1          |
| 06         | Plate, latch mounting                              |                       |               | B132U0274F         | 1          |
| 07         | Cable Assembly, hatch release                      |                       |               | A132U0370F         | 1          |
| 08         | Lever, hatch release                               |                       |               | A132B6028F         | 1          |
| 09         | Screw, M6 x 12, hex. flg. hd., latch plate to body |                       |               | A132W5010F         | 3          |
| 10         | Nut, flg. M6, latch plate to body                  |                       |               | A117W3180F         | 3          |
| 11         | Nut, flg. M8, striker to hatch                     |                       |               | A132W3006F         | 1          |
| 12         | Nyloc Nut, flg, M5, hinge to hatch                 |                       |               | A132W3000F         | 2          |
| 13         | Screw, M6 x 14, hex. flg. hd., latch to plate      |                       |               | A116W5233F         | 2          |
| 14         | Screw, M6 x 20, hex. flg. hd., lever to bracket    |                       |               | A132W5004F         | 2          |
| 15         | Nut, flg. M6, lever to bracket                     |                       |               | A117W3180F         | 2          |
| 16         | Rubber Buffer, hatch stop                          |                       |               | X046B6113Z         | 2          |
| 17         | Screw, M6 x 30, hex. flg. hd., hatch stop          |                       |               | A124W5294F         | 2          |
| 18         | Nut, flg. M6, hatch stop                           |                       |               | A117W3180F         | 2          |







**EVORA**

10.11

*Updated 29th September 2014*

# Service Parts List

# EVORA



## Function Code 10.11 Tailgate & Release Mechanism

| <u>Dep</u> | <u>Part Description</u>                          | <u>Remarks</u>   | <u>Option</u> | <u>Part Number</u> | <u>Qty</u> |
|------------|--|------------------|---------------|--------------------|------------|
| 01         | Tailgate Assembly                                |                  | Primed        | A132B0060J         | 1          |
| 02         | Strut, assist, tailgate lifting                  |                  |               | C132B0058F         | 2          |
| 03         | Latch, tailgate                                  |                  |               | A132B0069F         | 1          |
| 04         | Cover, latch tailgate                            |                  |               | B132U0063F         | 1          |
| 05         | Striker Assembly, tailgate latching              |                  |               | A132B0144F         | 1          |
| 06         | Cover, latch striker assembly                    |                  |               | B132U0250F         | 1          |
| 07         | Actuator, tailgate latch                         |                  |               | A132M6050F         | 1          |
| 08         | Bracket, actuator                                |                  |               | B132M0080F         | 1          |
| 09         | Cable, tailgate latch to actuator                |                  |               | A132B0129F         | 1          |
| 10         | Handle & Cable Assembly, tailgate release manual |                  |               | B132B0156F         | 1          |
| 11         | Bracket, actuator cable abutment                 |                  |               | A132B0143F         | 1          |
| 12         | Spring, torsion. latch actuator                  |                  |               | A132B6030F         | 1          |
| 13         | Hinge Assembly, LH                               |                  |               | E132U4223F         | 1          |
| 14         | Hinge Assembly, RH                               |                  |               | E132U4224F         | 1          |
| 15         | Rubber Buffer, tailgate stop                     |                  |               | A132U6049F         | 2          |
| 16         | Trim Assembly, tailgate, carpet                  | Includes fixings |               | A132U0175J         | 1          |
| 16a        | Trim Assembly, tailgate, black leather           | Includes fixings |               | A132U0332J         | 1          |
| 16b        | Trim Assembly, tailgate, chestnut leather        | Includes fixings |               | A132U0347J         | 1          |

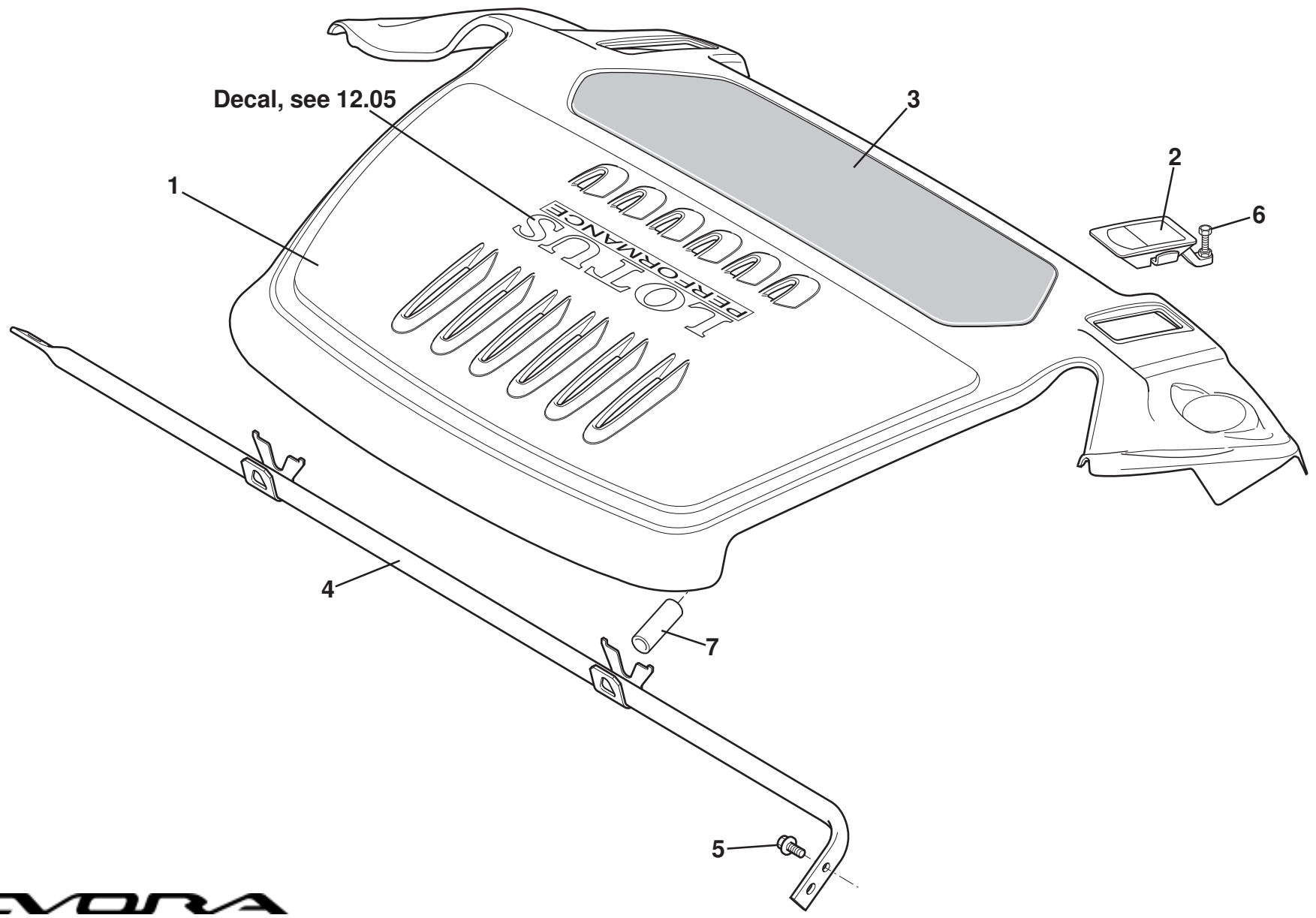
**Function Code 10.11 Tailgate & Release Mechanism**

| <u>Dep</u> | <u>Part Description</u>                                    | <u>Remarks</u>   | <u>Option</u> | <u>Part Number</u> | <u>Qty</u> |
|------------|--|------------------|---------------|--------------------|------------|
| 16c        | Trim Assembly, tailgate, paprika leather                   | Includes fixings |               | A132U0348J         | 1          |
| 16d        | Trim Assembly, tailgate, oyster leather                    | Includes fixings |               | A132U0349J         | 1          |
| 16e        | Trim Assembly, tailgate, cocobolo leather                  | Includes fixings |               | A132U0749S         | 1          |
| 16f        | Trim Assembly, tailgate, black vinyl                       | To be confirmed  |               |                    | 1          |
| 17         | Bolt, M8, special, hinge                                   |                  |               | A132B6010F         | 8          |
| 18         | Nyloc Nut, M8, flange, strut retention                     |                  |               | A132W3017F         | 4          |
| 19         | Bracket, strut to body, LH                                 |                  |               | C132B4159F         | 1          |
| 19a        | Bracket, strut to body, RH                                 |                  |               | C132B4160F         | 1          |
| 20         | Weather Seal, bootbox                                      |                  |               | B132U0035F         | 1          |
| 21         | Handle & Cable Assembly, emergency release, tailgate latch |                  | USA/Canada    | A132B0180F         | 1          |
| 22         | Fixing Tie, tailgate cable                                 |                  |               | A132U6021F         | 3          |
| 23         | Cable Tie, tailgate cable                                  |                  |               | A116K6020F         | 3          |
| 24         | Rotor, tailgate latch actuator, manual                     |                  |               | B132B0142F         | 1          |
| 25         | Shim Hinge Stator Tailgate                                 |                  |               | A132U0352F         | 4          |
| 26         | Rotor, tailgate latch actuator                             |                  |               | B132B0127F         | 1          |
| 27         | Washer, star   |                  |               | A124W6804F         | 1          |
| 28         | Firtree, tailgate trim assembly                            |                  |               | A116U0201F         | 7          |
| 29         | Panel Baffle Tailgate Vent                                 |                  |               | A132B0185F         | 1          |
| 30         | Nut Nyloc M4, panel baffle                                 |                  |               | A075W3049Z         | 4          |
| 31         | Washer Flat M4 x 10 x 0.8, panel baffle                    |                  |               | A075W4062Z         | 4          |

---

**Function Code 10.11 Tailgate & Release Mechanism**

| <u>Dep</u> | <u>Part Description</u>                      | <u>Remarks</u> | <u>Option</u> | <u>Part Number</u> | <u>Qty</u> |
|------------|--|----------------|---------------|--------------------|------------|
| 32         | Screw M8 x 25 hex hd blk, bracket            |                |               | A120W1000F         | 4          |
| 33         | Washer M8 x 21 x 1.6 blk., bracket           |                |               | A111W4159F         | 4          |
| 34         | Nut M8 hex flg., bracket                     |                |               | A132W3006F         | 4          |
| 35         | Foam Block                                   |                | USA/Canada    | A132A0361F         | 1          |
| 36         | Bracket Rear Quarter, tank bay, RH           |                |               | C132V4114F         | 1          |
| 37         | Screw, M6 x 20, dome hd., s/s black          |                |               | A100W7096F         | 3          |
| 38         | Washer, flat, M6 x 1.5                       |                |               | A075W4015Z         | 3          |
| 39         | Bolt M6 x 14 hex flg, actuator cable bracket |                |               | A116W5233F         | 1          |
| 40         | Screw M6 x 16 hex flg, striker to body       |                |               | A132W5003F         | 2          |
| 41         | Washer M6 x 12 x 1.6, striker to body        |                |               | B100W4127F         | 2          |
| 42         | Washer M6 x 25 x 1.4, striker shim           |                |               | B075W4014Z         | 4          |
| 43         | Screw M6 x 16 hex flg, tailgate latch        |                |               | A132W5003F         | 3          |
| 44         | Bolt M6 x 14 hex flg, actuator bracket       |                |               | A116W5233F         | 2          |
| 45         | Brace Assembly Gas Strut RH                  |                |               | A132B0177F         | 1          |
| 46         | Screw M5 x 25 pan pozi blk                   |                |               | A082W5185F         | 1          |
| 47         | Washer                                       |                |               | A082W4129F         | 1          |
| 48         | Nut M6 dome s/s blk                          |                |               | A132W3020F         | 2          |
| 49         | Washer                                       |                |               | A082W4133F         | 2          |
| 50         | Scrivet                                      |                |               | A100W6481F         | 2          |



**EVORA**  
10.13

# Service Parts List

# EVORA



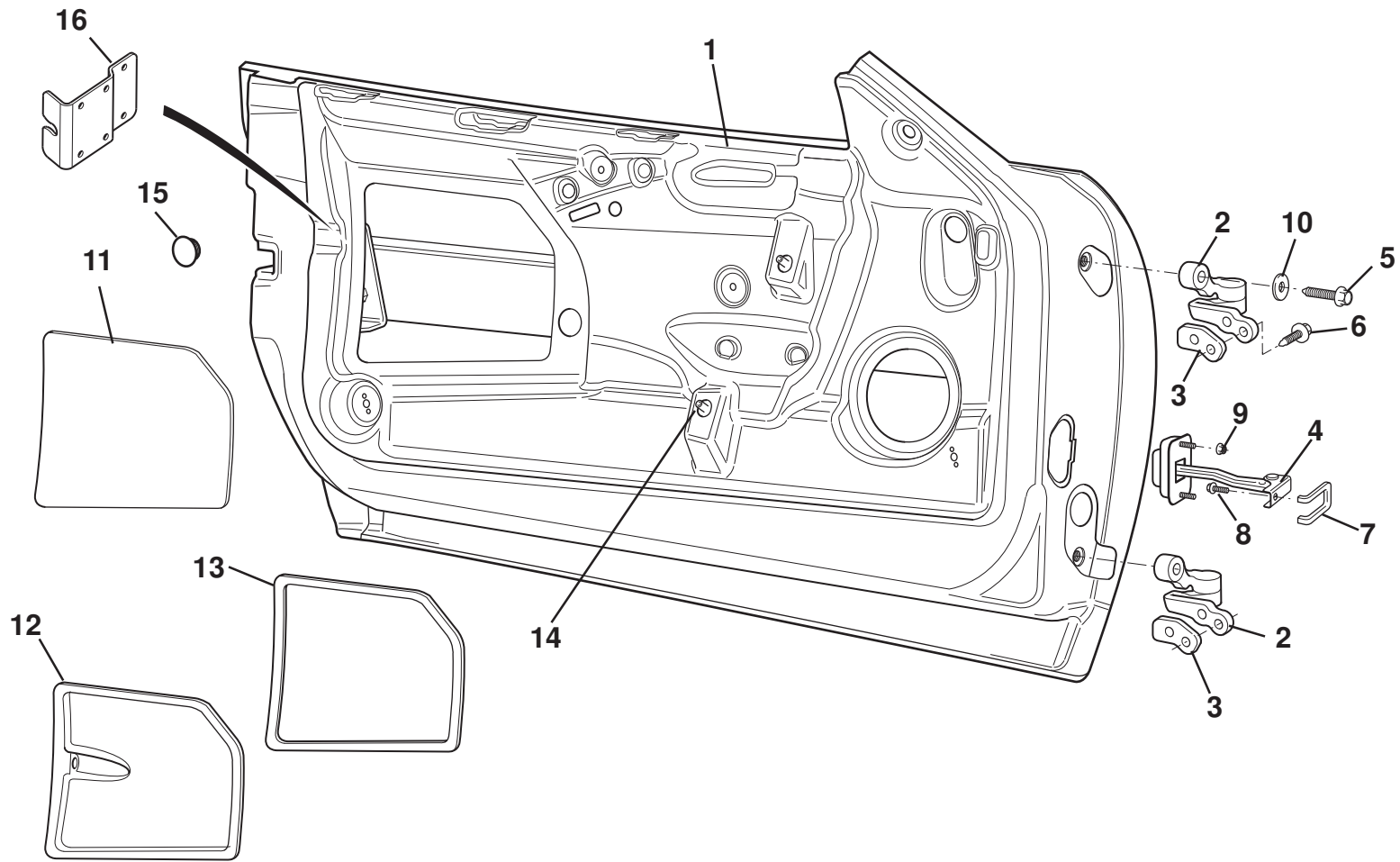
## Function Code 10.13 Engine Compartment, Cover, Latch Mechanism

| <u>Dep</u> | <u>Part Description</u>                                | <u>Remarks</u>                                 | <u>Option</u> | <u>Part Number</u> | <u>Qty</u> |
|------------|--|--|---------------|--------------------|------------|
| 01         | Panel Assembly, engine bay cover                       | Includes grille, latches no decal<br>see 12.05 |               | C132B0162F         | 1          |
| 01a        | Kit Panel Assembly, engine bay cover                   | Retro fit for vehicles without cover           |               | LOTAC05551         | 1          |
| 02         | Latch, engine bay cover                                |  |               | A132B6033F         | 2          |
| 03         | Grille, engine bay cover                               |  |               | A132U0399F         | 1          |
| 04         | Cross-bar, engine bay cover support                    |  |               | A132A0366F         | 1          |
| 05         | Screw, M6 x 14, hex. flg. hd., cross-bar to rear stays |  |               | A116W5233F         | 3          |
| 06         | Screw, M5 x 16, hex. hd., latch to body                |  |               | A075W1085F         | 2          |
| 07         | Sleeve, locating pins to cross-bar                     | Cut to length                                  |               | A132U6087V         | 30mm       |

EVORA

Function Code: 10.13, Page: 1

*Updated 1st December 2014*



**EVORA**  
10.15

*Updated 1st May 2013*

# Service Parts List



## Function Code 10.15 Door Shells, Beams, Hinges

| <u>Dep</u> | <u>Part Description</u>                          | <u>Remarks</u>                            | <u>Option</u>              | <u>Part Number</u> | <u>Qty</u> |
|------------|--|---|----------------------------|--------------------|------------|
| 01         | Door Assembly, LH                                | Doors with sill button                    | Primed, up to vin CH_10629 | A132B4071K         | 1          |
| 01a        | Door Assembly, LH                                | Doors without sill button                 | Primed, from vin CH_10630  | E132B4071K         | 1          |
| 01b        | Door Assembly, RH                                | Doors with sill button                    | Primed, up to vin CH_10629 | A132B4072K         | 1          |
| 01c        | Door Assembly, RH                                | Doors without sill button                 | Primed, from vin CH_10630  | E132B4072K         | 1          |
| 02         | Hinge, door, LH                                  |   |                            | A132B6001F         | 2          |
| 02a        | Hinge, door, RH                                  |   |                            | A132B6002F         | 2          |
| 03         | Shim, 5mm, hinge to chassis                      |   |                            | A132B0108F         | 4          |
| 04         | Check, door opening                              |   |                            | A132B6031F         | 2          |
| 05         | Screw, M10 x 35, hex. flg. hd, hinge to door     |   | A132B6005F R/B             | A116W5247F         | 4          |
| 06         | Screw, M10 x 35, hex. flg. hd., hinge to chassis |   | A132B6010F R/B             | A116W5247F         | 8          |
| 07         | Gasket, door check                               |   |                            | A132B0173F         | 2          |
| 08         | Screw, M8 x 20, hex. flg. hd., check to body     |   |                            | A120W5278F         | 2          |
| 09         | Nut, M6, flg, check to door                      |   |                            | A121W3196F         | 4          |
| 10         | Washer, 7/16x7/8x13g                             |   | A120W4119F R/B, vin 11045  | B120W4119F         | 4          |
| 11         | Door Curtain, self adhesive foam, LH             | Doors with sill button, also see 11.01    | Up to vin CH_10629         | A132B4157F         | 1          |
| 11a        | Door Curtain, self adhesive foam, RH             | Doors with sill button, also see 11.01    | Up to vin CH_10629         | A132B4158F         | 1          |
| 12         | Door Curtain, LH                                 | Doors without sill button, also see 11.01 | From vin CH_10630          | A132B4231F         | 1          |



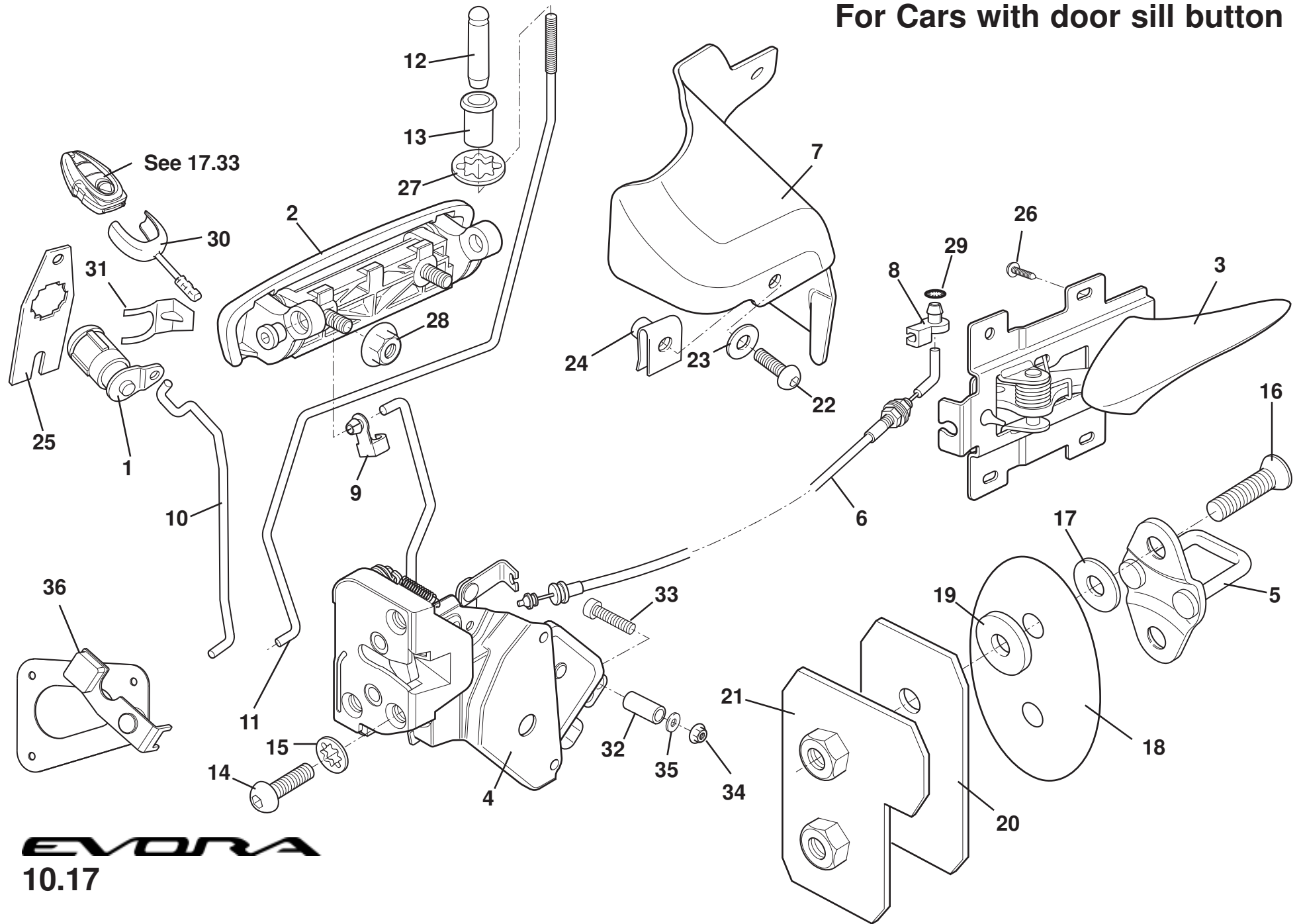


---

**Function Code 10.15 Door Shells, Beams, Hinges**

| <u>Dep</u> | <u>Part Description</u>       | <u>Remarks</u>                            | <u>Option</u>     | <u>Part Number</u> | <u>Qty</u> |
|------------|-------------------------------|---|-------------------|--------------------|------------|
| 12a        | Door Curtain, RH              | Doors without sill button, also see 11.01 | From vin CH_10630 | <b>A132B4232F</b>  | 1          |
| 13         | Beading, Door Curtain         | Doors without sill button, also see 11.01 | From vin CH_10630 | <b>A100B6207F</b>  | 2          |
| 14         | Bighead M8x20 collar 32mm sq  | Pull handle fixing                        |                   | <b>A132W8008F</b>  | 4          |
| 15         | Blanking Grommet              | Right hand door                           |                   | <b>A132B6055F</b>  | 1          |
| 16         | Abutment, latch release cable |   |                   | <b>A132B0152F</b>  | 2          |

# For Cars with door sill button

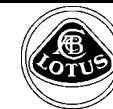


**EVORA**  
10.17

*Updated 3rd March 2014*

# Service Parts List

# EVORA



## Function Code 10.17 Door Latch Mechanism

| <u>Dep</u> | <u>Part Description</u>                               | <u>Remarks</u>  | <u>Option</u>  | <u>Part Number</u> | <u>Qty</u> |
|------------|---|---|----------------|--------------------|------------|
| 01         | Lock Set  | Need to order 2x Transmitter fobs<br>(see 17.33) and send A4-A-5304<br>Notification alarm/lock<br>replacement form to ASO |                | B132H0017F         | 1          |
| 02         | Exterior Door Release Handle, chrome                  |   |                | B132B0146F         | 2          |
| 02a        | Exterior Door Release Handle, no finish               |   |                | A132B0171F         | 2          |
| 03         | Interior Door Release Handle, LH, chrome              |   |                | A132U4021F         | 1          |
| 03a        | Interior Door Release Handle, RH, chrome              |   |                | A132U4022F         | 1          |
| 03b        | Interior Door Release Handle, LH, piano black         |   | MY12 S/Charged | A132U4645F         | 1          |
| 03c        | Interior Door Release Handle, RH, piano black         |   | MY12 S/Charged | A132U4646F         | 1          |
| 03d        | Interior Door Release Handle, LH, turbo black (gray)  |   | MY12 N/A       | A132U4649F         | 1          |
| 03e        | Interior Door Release Handle, RH, turbo black, (gray) |   | MY12 N/A       | A132U4650F         | 1          |
| 04         | Latch Mechanism, LH                                   |   |                | B132B4169J         | 1          |
| 04a        | Latch Mechanism, RH                                   |   |                | B132B4170J         | 1          |
| 05         | Striker, door latch                                   |   |                | A124B0201F         | 2          |
| 06         | Cable, door interior release                          |   |                | C132B0123F         | 2          |
| 07         | Shield, door latch security, LH                       |   |                | B132U4377F         | 1          |
| 07a        | Shield, door latch security, RH                       |   |                | B132U4378F         | 1          |
| 08         | Clip, cable to release handle                         |   |                | A082U6267F         | 2          |
| 09         | Clip, rod to exterior release handle                  |   |                | A132B6034F         | 2          |

EVORA

Function Code: 10.17, Page: 1

Updated 3rd November 2014

**Function Code 10.17 Door Latch Mechanism**

| <u>Dep</u> | <u>Part Description</u>                                   | <u>Remarks</u>  | <u>Option</u>  | <u>Part Number</u> | <u>Qty</u> |
|------------|---|-----------------|----------------|--------------------|------------|
| 10         | Rod, lock to latch LH                                     |                 |                | C132B0049F         | 1          |
| 11         | Rod, sill button to latch, LH                             |                 |                | F132B4053F         | 1          |
| 11a        | Rod, sill button to latch, RH                             |                 |                | F132B4054F         | 1          |
| 12         | Sill Button, CDL, silver                                  |                 |                | A132U0455F         | 2          |
| 12a        | Sill Button, CDL, black                                   |                 | MY12 S/Charged | A132V0379F         | 2          |
| 13         | Escutcheon, sill button, silver                           | Also see 15.13  |                | A132V0195F         | 2          |
| 13a        | Escutcheon, sill button, black                            |                 | MY12 S/Charged | A132V0380F         | 2          |
| 13b        | Bush, escutcheon  | Not illustrated |                | A132W6043F         | 2          |
| 14         | Screw, M6 x 20, button skt. hd. S/S black, latch to door  |                 |                | A100W7096F         | 6          |
| 15         | Washer, shakeproof, M6, latch to door                     |                 |                | A075W4046Z         | 6          |
| 16         | Screw, striker to nutplate                                |                 |                | A126W5329F         | 4          |
| 17         | Shim, striker to body                                     |                 |                | A124B0256F         | 4          |
| 18         | Finisher, striker to body                                 |                 |                | A124U0068F         | 2          |
| 19         | Spacer, striker to body                                   |                 |                | A132B0116F         | 4          |
| 20         | Plate, striker mounting                                   |                 |                | A132B0117F         | 2          |
| 21         | Nutplate, striker retention, LH                           |                 |                | A124B0113F         | 1          |
| 21a        | Nutplate, striker retention, RH                           |                 |                | A124B0114F         | 1          |
| 22         | Screw, M6 x 20, button skt. hd. S/S black, shield to door |                 |                | A100W7096F         | 2          |
| 23         | Washer, flat, M6 x 15 x 1.5, S/S black, shield to door    |                 |                | A082W4133F         | 2          |
| 24         | Spirenut, M6, shield to door                              |                 |                | A117W3181F         | 2          |
| 25         | Plate, lock cylinder retention                            |                 |                | B132B0080F         | 1          |



---

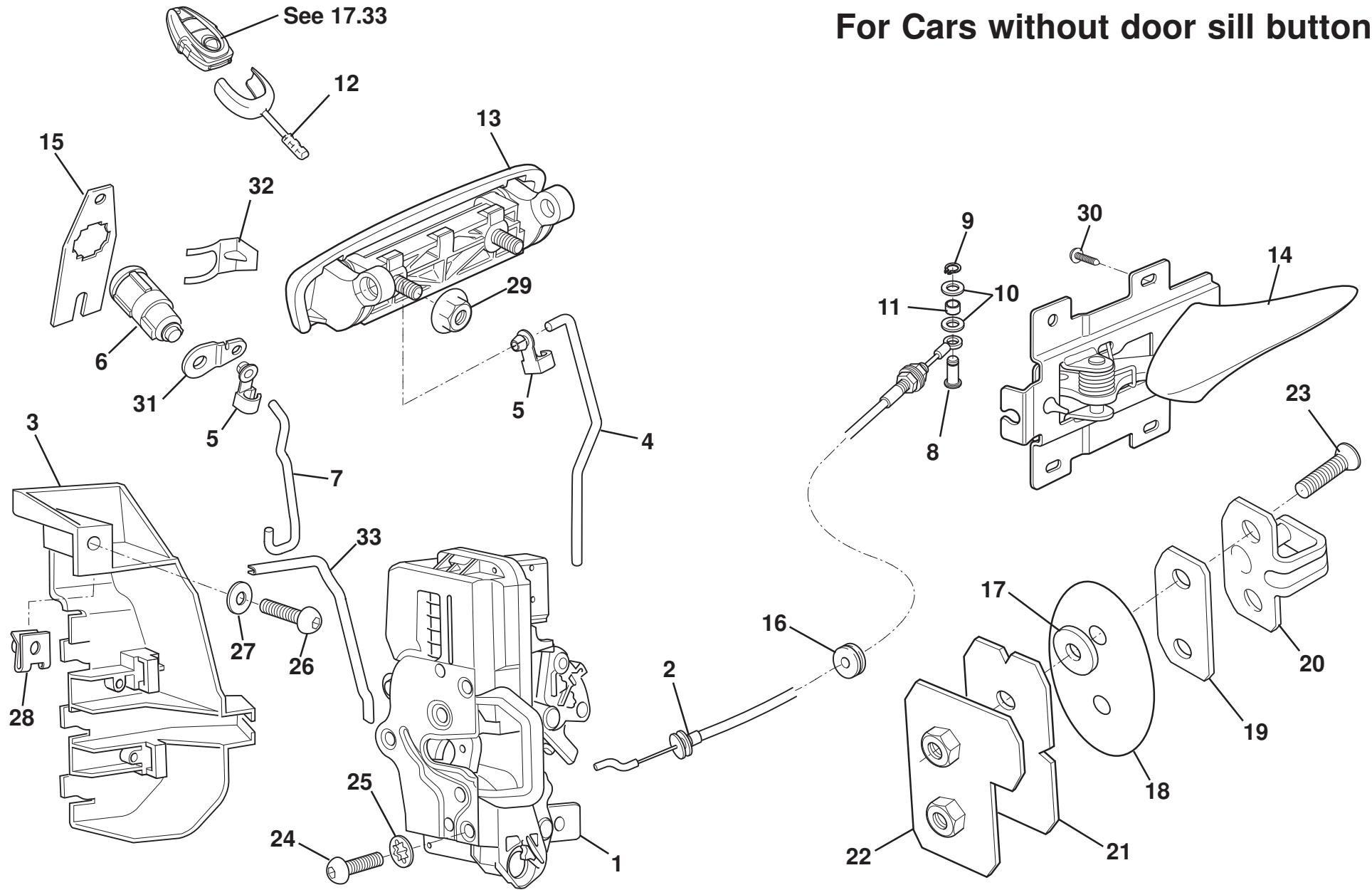
**Function Code 10.17 Door Latch Mechanism**

| <u>Dep</u> | <u>Part Description</u>                                     | <u>Remarks</u>  | <u>Option</u> | <u>Part Number</u> | <u>Qty</u> |
|------------|---|-----------------|---------------|--------------------|------------|
| 26         | Screw, no. 8 x 1/2", flg, pozi., interior release retention |                 |               | A117W5250F         | 8          |
| 27         | Retainer, abutment  |                 |               | A132W6059F         | 2          |
| 28         | Nut, handle to door   |                 |               | A121W3196F         | 4          |
| 29         | Starlock Fastener, cable to release handle                  |                 |               | A124W6797F         | 1          |
| 30         | Key Blade, cut  | Supply key code |               | A132H0056S         | 2          |
| 30a        | Key Blade, uncut  |                 |               | B132H0018S         | 2          |
| 31         | 'C' Clip, lock barrel retention                             |                 |               | A132B0320F         | 1          |
| 32         | Spacer CDL Door Latch                                       |                 |               | A132B0179F         | 3          |
| 33         | Screw M4 x 35, pozi pan                                     |                 |               | A132W5031F         | 3          |
| 34         | Nut M4  |                 |               | A075W3019F         | 3          |
| 35         | Washer Flat M4 x9 x0.8                                      |                 |               | A082W4099F         | 1          |
| 36         | Assembly CDL Door Latch Lever, LH                           |                 |               | A132B4179F         | 1          |
| 36a        | Assembly CDL Door Latch Lever, RH                           |                 |               | A132B4180F         | 1          |

NOTE: For full information on all  
Lotus Security Systems, see  
LSL483g

---

# For Cars without door sill button

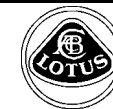


**EVORA**  
10.17a

*Updated 3rd March 2014*

# Service Parts List

# EVORA



## Function Code 10.17a Door Latch Mechanism (Inteva)

| <u>Dep</u> | <u>Part Description</u>                       | <u>Remarks</u>   | <u>Option</u>  | <u>Part Number</u> | <u>Qty</u> |
|------------|---|--|----------------|--------------------|------------|
| 01         | Door Latch LH                                 |  |                | A132B4245K         | 1          |
| 01a        | Door Latch RH                                 |  |                | A132B4246K         | 1          |
| 02         | Release Cable Assembly                        |  |                | A132B6043F         | 2          |
| 03         | Security Shield, door latch LH                |  |                | A132U4711F         | 1          |
| 03a        | Security Shield, door latch RH                |  |                | A132U4712F         | 1          |
| 04         | Rod Door Locking                              |  |                | A132B0242F         | 2          |
| 05         | Clip Linkage                                  |  |                | A082U6267F         | 4          |
| 06         | Lock Set                                      | Need to order 2x Transmitter fobs (see 17.33) and send A4-A-5304 Notification alarm/lock replacement form to ASO |                | B132H0017F         | 1          |
| 07         | Lock Cylinder Link Rod                        |  |                | A132B6051F         | 1          |
| 08         | Clevis Pin                                    |  |                | A132B6097F         | 2          |
| 09         | Circlip                                       |  |                | A116W6688F         | 2          |
| 10         | Washer Retaining M6                           |  |                | A120B0310F         | 4          |
| 11         | Nylon Sleeve                                  |  |                | A132B6099F         | 2          |
| 12         | Key Blade, cut                                | Supply key code  |                | A132H0056S         | 2          |
| 12a        | Key Blade, uncut                              |  |                | B132H0018S         | 2          |
| 13         | Exterior Door Release Handle, no finish       |  |                | B132B0171F         | 2          |
| 14         | Interior Door Release Handle, LH, piano black |  | MY12 S/Charged | B132U4645F         | 1          |

EVORA

Function Code: 10.17a, Page: 1

Updated 1st November 2016

**Function Code 10.17a Door Latch Mechanism (Inteva)**

| <u>Dep</u> | <u>Part Description</u>                                     | <u>Remarks</u> | <u>Option</u>  | <u>Part Number</u> | <u>Qty</u> |
|------------|---|----------------|----------------|--------------------|------------|
| 14a        | Interior Door Release Handle, RH, piano black               |                | MY12 S/Charged | B132U4646F         | 1          |
| 14b        | Interior Door Release Handle, LH, turbo black (gray)        |                | MY12 N/A       | B132U4649F         | 1          |
| 14c        | Interior Door Release Handle, RH, turbo black (gray)        |                | MY12 N/A       | B132U4650F         | 1          |
| 15         | Plate, lock cylinder retention                              |                |                | B132B0080F         | 1          |
| 15a        | Shield, door latch security, RH                             |                |                | C132U4378F         | 1          |
| 16         | Grommet, door curtain                                       |                |                | A132B6052F         | 2          |
| 17         | Spacer Door Striker   |                |                | A132B0116F         | 4          |
| 18         | Plate Finisher Door Striker                                 |                |                | A124U0068F         | 2          |
| 19         | Shim Door Striker   |                |                | A132B0240F         | 2          |
| 20         | Striker Door Latch  |                |                | A132B6044F         | 2          |
| 21         | Plate, striker mounting                                     |                |                | A132B0117F         | 2          |
| 22         | Nutplate, striker retention, LH                             |                |                | A124B0113F         | 1          |
| 22a        | Nutplate, striker retention, RH                             |                |                | A124B0114F         | 1          |
| 23         | Screw M8 x 40, csk  |                |                | A132W5037F         | 4          |
| 24         | Screw, M6 x 20, button skt. hd. S/S black, latch to door    |                |                | A100W7096F         | 6          |
| 25         | Washer, shakeproof, M6, latch to door                       |                |                | A075W4046Z         | 6          |
| 26         | Screw, M6 x 20, button skt. hd. S/S black, shield mounting  |                |                | A100W7096F         | 1          |
| 27         | Washer M6 x 15mm x 1.5 s/s blk, shield mounting             |                |                | A082W4133F         | 1          |
| 28         | Captive Nut M6, shield mounting                             |                |                | A117W6715F         | 1          |
| 29         | Nut, handle to door   |                |                | A121W3196F         | 4          |
| 30         | Screw, no. 8 x 1/2", flg, pozi., interior release retention |                |                | A117W5250F         | 8          |





---

**Function Code 10.17a Door Latch Mechanism (Inteva)**

| <u>Dep</u> | <u>Part Description</u>         | <u>Remarks</u> | <u>Option</u> | <u>Part Number</u> | <u>Qty</u> |
|------------|---------------------------------|----------------|---------------|--------------------|------------|
| 31         | Lever Arm, lock cylinder LH     |                |               | A132B6050F         | 1          |
| 32         | 'C' Clip, lock barrel retention |                |               | A132B0320F         | 1          |
| 33         | Edge Protector                  |                |               | A122A0029V         | 172mm      |

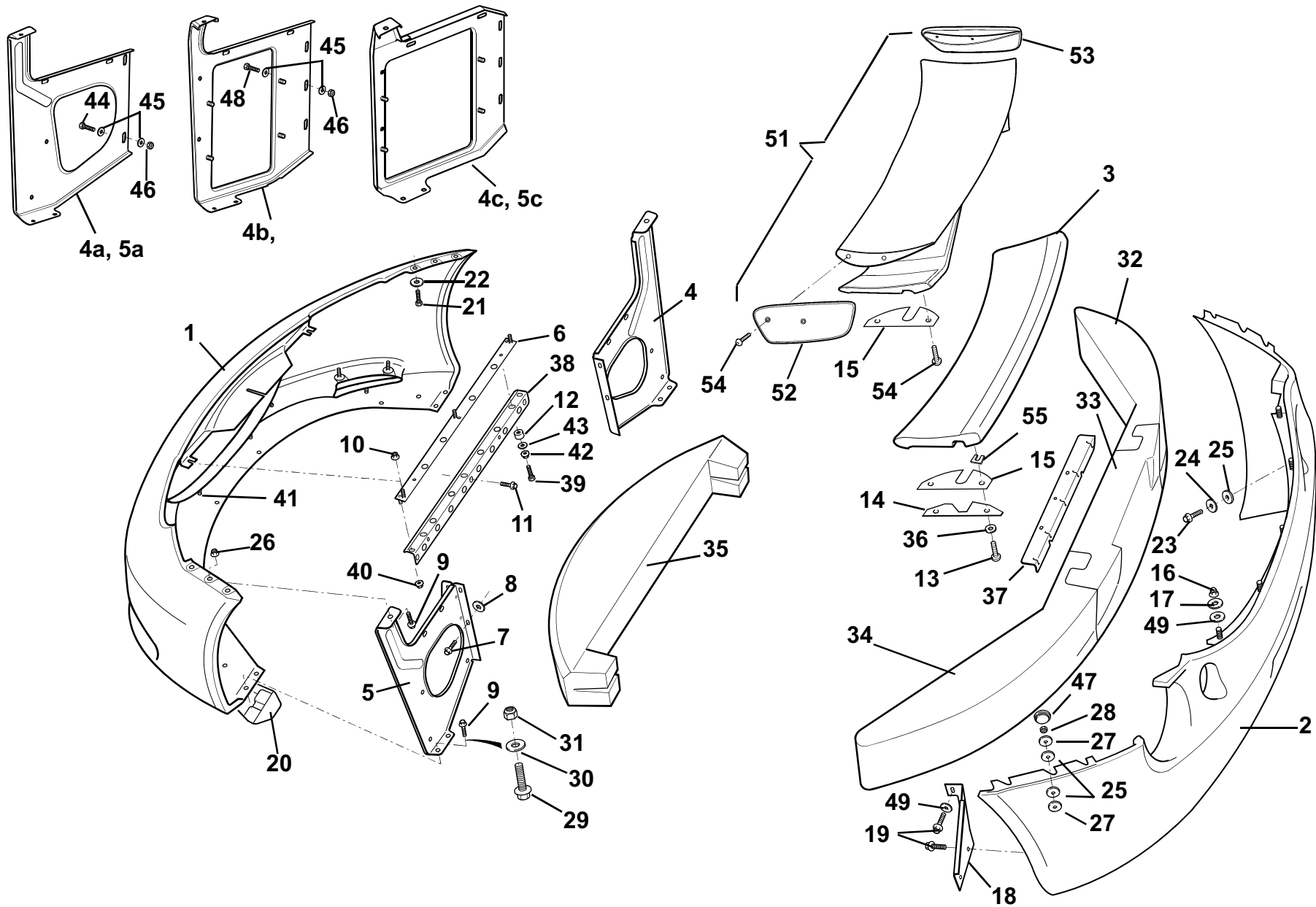
---

NOTE: For full information on all Lotus Security Systems, see LSL483f

---

Also see TSB 2012/06 R service note section BV.12a

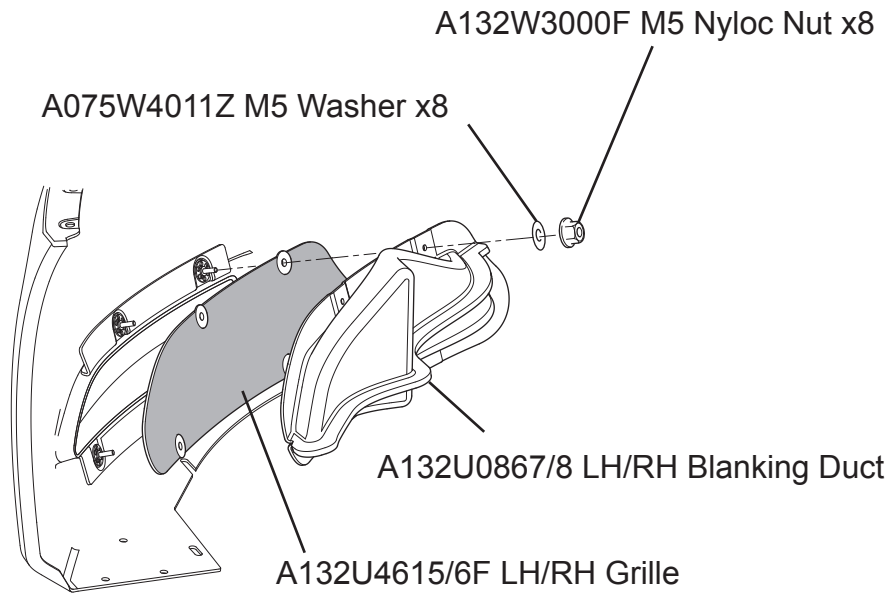
---



**EVORA**  
10.23

*Updated 4th January 2019*

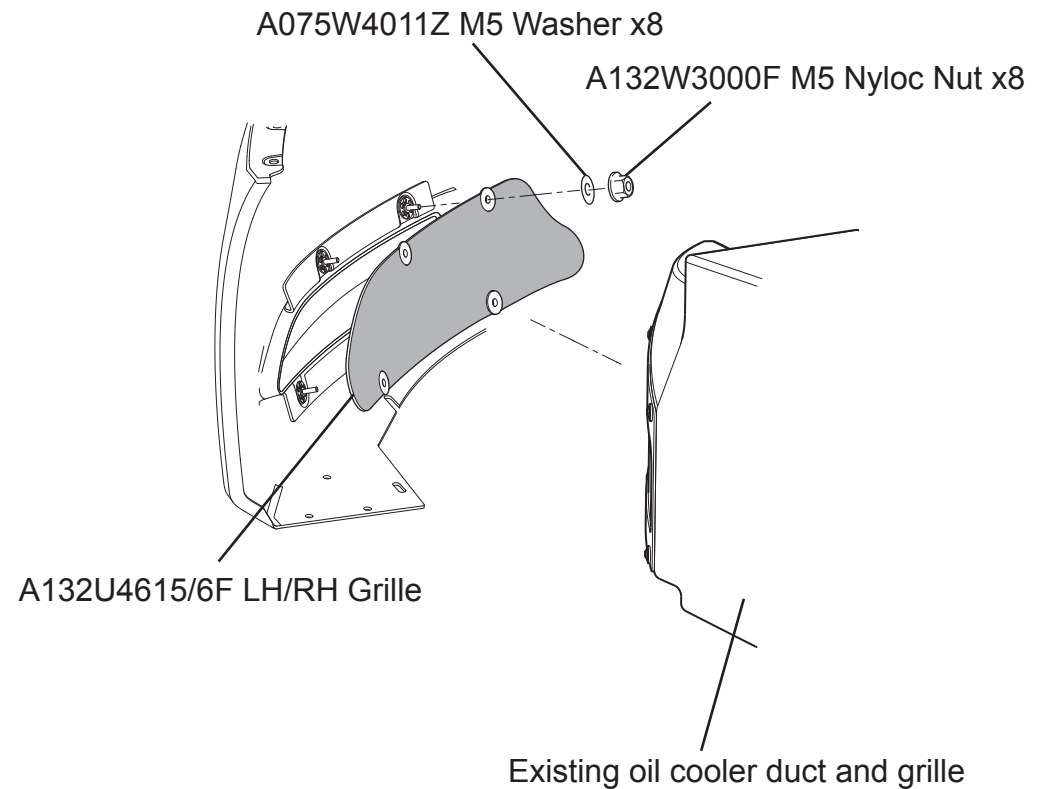
# Introduction of 'C' level C132B0003K / C132B0408K Front Bumper Required parts for replacement bumpers on cars prior to MY12



Please note:

existing LH/RH grilles and Blanking plates are no longer required  
Also car fitted with rectangular washer bottle fouls the LH blanking duct  
option is to cut away duct or fit triangular washer bottle

Up to vin BH\_11178, USA BH\_11174



Please note:

the bumper grille fixing studs may need to be trimmed back  
to clear front face of oil cooler duct and grille.

From vin BH\_11178, USA BH\_11174

# Service Parts List



## Function Code 10.23 Bumpers, Valences Spoilers & Aerofoils

| <u>Dep</u> | <u>Part Description</u>                                  | <u>Remarks</u>   | <u>Option</u>                                | <u>Part Number</u> | <u>Qty</u> |
|------------|--|--|--|--------------------|------------|
| 01         | Bumper Assembly, front, Primed                           | Also replacement bumper prior MY12, see LSL597*                                  | MY12   | C132B0003K         | 1          |
| 01a        | Bumper Assembly, front, federal, Primed                  | Apertures for side marker lamps, Also replacement bumper prior MY12, see LSL597* | MY12 USA                                     | C132U0408K         | 1          |
| 02         | Bumper Assembly, rear, Primed, no reverse camera         |  |  | A132B0086K         | 1          |
| 02a        | Bumper Assembly, rear, Primed, reverse camera            |  |  | A132B0036K         | 1          |
| 02b        | Bumper Assembly, rear, federal, Primed no reverse camera | Apertures for side marker lamps  | USA  | A132U0429K         | 1          |
| 02c        | Bumper Assembly, rear, Primed federal, reverse camera    | Plus aperture for reverse camera   | USA  | A132U0424K         | 1          |
| 02d        | Bumper Assembly, rear, Primed, no reverse camera         | Revised diffuser fixings   | S/Charged (man & auto)                       | A132U0667K         | 1          |
| 02e        | Bumper Assembly, rear, Primed, reverse camera            | Revised diffuser fixings   | S/Charged (man & auto)                       | A132U0673K         | 1          |
| 02f        | Bumper Assembly, rear, federal, Primed no reverse camera |  | Federal S/Charged                            | A132U0679K         | 1          |
| 02g        | Bumper Assembly, rear, Primed federal, reverse camera    |  | Federal S/Charged                            | A132U0684K         | 1          |
| 03         | Spoiler, rear, Primed                                    |  |  | A132U0084K         | 1          |
| 04         | Bracket, outer RH, bumper to subframe                    | Attaches directly to subframe  |  | D132U4174F         | 1          |
| 04a        | Bracket, outer RH, bumper to subframe                    | Attaches to bracket bonded on subframe   |  | F132U4174F         | 1          |
| 04b        | Bracket, outer RH, bumper to subframe                    |  | USA vin BH_11174 , all markets vin, BH_11178 | A132U4504F         | 1          |



**Function Code 10.23 Bumpers, Valences Spoilers & Aerofoils**

| <u>Dep</u> | <u>Part Description</u>                                | <u>Remarks</u>                         | <u>Option</u>                                | <u>Part Number</u> | <u>Qty</u> |
|------------|--|--|--|--------------------|------------|
| 04c        | Bracket, outer RH, bumper to subframe                  |  | MY12   | A132U4624F         | 1          |
| 05         | Bracket, outer LH, bumper to subframe                  | Attaches directly to subframe          |  | D132U4171F         | 1          |
| 05a        | Bracket, outer LH, bumper to subframe                  | Attaches to bracket bonded on subframe |  | F132U4173F         | 1          |
| 05b        | Bracket, outer LH, bumper to subframe                  |  | USA vin BH_11174 , all markets vin, BH_11178 | A132U4503F         | 1          |
| 05c        | Bracket, outer LH, bumper to subframe                  |  | MY12   | A132U4623F         | 1          |
| 06         | Bracket, centre, bumper to angle support               |  |  | C132U0202F         | 1          |
| 07         | Screw, M6 x 16, hex. flg. hd., bracket to subframe     |  |  | A918W5208F         | 4          |
| 08         | Washer, flat, M6 x 15 x 1.5, bracket to subframe       |  |  | A075W4015Z         | 4          |
| 09         | Screw, M6 x 16, hex. flg. hd., bracket to bumper       |  |  | A132W5003F         | 6          |
| 10         | Nyloc Nut, M6, flg., bracket to bumper/clam.           | Also see 10.01                         |  | A121W3196F         | 3          |
| 11         | Screw, M6 x 16, hex. flg. hd., bracket to subframe     |  |  | A918W5208F         | 3          |
| 12         | Spacer   |  |  | A111D0147F         | 2          |
| 13         | Screw, M6 x 20, button hd., spoiler to tailgate        |  |  | A100W7096F         | 4          |
| 14         | Spreader plate, rear spoiler                           |  |  | A132U0342F         | 2          |
| 15         | Gasket, rear spoiler                                   |  |  | A132U0306F         | 2          |
| 16         | Nut, M6, dome, black, bumper to rear clam.             |  |  | A127W3228F         | 5          |
| 17         | Washer, M6 x 18 x 1.6, S/S black, bumper to rear clam. |  |  | A126W4213F         | 5          |
| 18         | Bracket, bumper to subframe rear, LH                   |  |  | C132U4155F         | 1          |
| 18a        | Bracket, bumper to subframe rear, RH                   |  |  | C132U4156F         | 1          |



**Function Code 10.23 Bumpers, Valences Spoilers & Aerofoils**

| <u>Dep</u> | <u>Part Description</u>                                     | <u>Remarks</u>           | <u>Option</u>      | <u>Part Number</u> | <u>Qty</u> |
|------------|---|--------------------------|--------------------|--------------------|------------|
| 19         | Screw, M6 x 16, hex. flg. hd., bracket to bumper & subframe |                          |                    | A918W5208F         | 6          |
| 20         | Diffuser Spat, front, LH                                    | Do not replace if fitted |                    | A132U4259J         | 1          |
| 20a        | Diffuser Spat, front, RH                                    | Do not replace if fitted |                    | A132U4260J         | 1          |
| 21         | Screw, M5 x 16, hex. hd., bumper to front clam.             |                          |                    | A075W1085F         | 4          |
| 22         | Washer, flat, M5 x 19 x 1.4, S/S black, bumper clam.        |                          |                    | B082W4107F         | 4          |
| 23         | Screw, M6 x 16, hex. flg. hd., bumper to rear clam.         |                          |                    | A918W5208F         | 2          |
| 24         | Washer, flat, M6 x 25 x 1.4, S/S, bumper to rear clam.      |                          |                    | B075W4017Z         | 2          |
| 25         | Washer, neoprene, 25 x 8 x 3, bumper to clam.               |                          |                    | A111U6055F         | 2          |
| 26         | Nyloc Nut, M6, flg., bumper to front clam.                  |                          |                    | A121W3196F         | 2          |
| 27         | Nyloc Nut, M6 thin, bumper to rear clam.                    |                          |                    | A907E6285F         | 6          |
| 28         | Washer, flat, M6 x 25 x 1.4, S/S, bumper to rear clam.      |                          |                    | B075W4017Z         | 6          |
| 29         | Screw, M6 x 12, hex. flg. hd., bumper to bracket            | Replaces item 20, 20a    | Cars without spats | A132W5010F         | 4          |
| 30         | Washer, flat, M6 x 18 x 1.6, bumper to bracket              | Replaces item 20, 20a    | Cars without spats | A121W4196F         | 4          |
| 31         | Nyloc Nut, M6, bumper to bracket                            | Replaces item 20, 20a    | Cars without spats | A907E6285F         | 4          |
| 32         | Foam, rear bumper, RH                                       |                          | USA                | A132U4402F         | 1          |
| 33         | Foam, bumper rear, centre                                   |                          | USA                | B132U0412F         | 1          |
| 34         | Foam, bumper rear, LH                                       |                          | USA                | A132U4401F         | 1          |
| 35         | Front Bumper Foam, federal                                  |                          | USA                | B132U0189F         | 1          |
| 36         | Washer, flat, M6 x 18 x 1 P/Zn, spoiler to tailgate         |                          |                    | A082W4018F         | 4          |
| 37         | Bracket Reinf. rear bumper foam                             |                          | USA                | A132U0750F         | 1          |

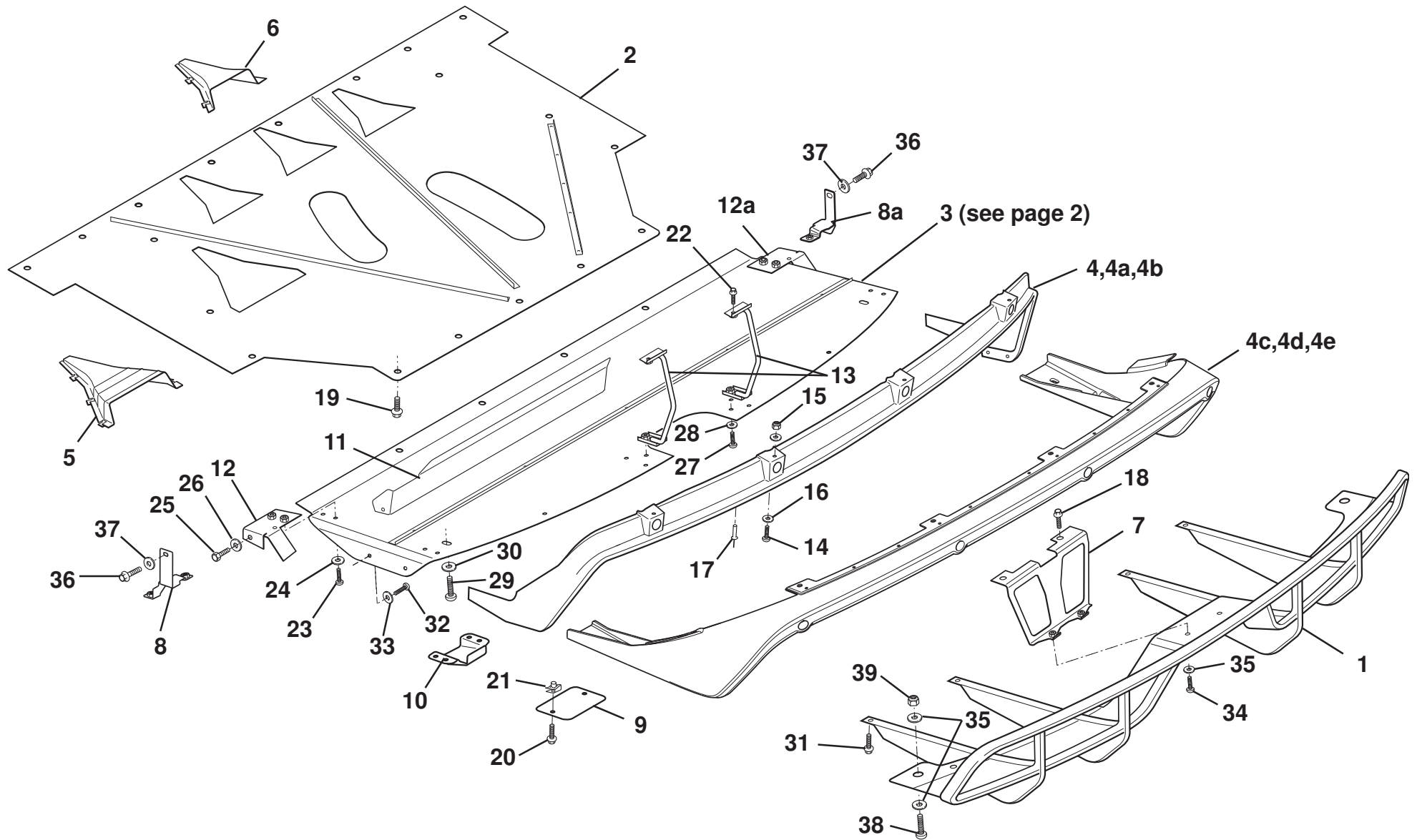


**Function Code 10.23 Bumpers, Valences Spoilers & Aerofoils**

| <u>Dep</u> | <u>Part Description</u>                                    | <u>Remarks</u>                        | <u>Option</u> | <u>Part Number</u> | <u>Qty</u> |
|------------|--|---------------------------------------|---------------|--------------------|------------|
| 38         | Angle Support  |                                       |               | A132U0527F         | 1          |
| 39         | Setscrew M6 x 25   |                                       |               | A075W1031F         | 2          |
| 40         | Nut, M6, flg, Bracket to angle support                     |                                       |               | A117W3180F         | 3          |
| 41         | Stud Bighead M5 x 12 s/s                                   |                                       |               | A082W5128F         | 5          |
| 42         | Nut M6 hex   |                                       |               | A075W3020Z         | 2          |
| 43         | Washer 6mm x 15mm x 1.5mm                                  |                                       |               | A075W4015Z         | 2          |
| 44         | Screw M6 x 16 hex hd, bracket to subframe                  |                                       |               | A075W1028F         | 4          |
| 45         | Washer M6 x 25 x 1.6, bracket to subframe                  |                                       |               | A121W4196F         | 12         |
| 46         | Nut Nyloc M6, bracket to subframe                          |                                       |               | A075W3009Z         | 6          |
| 47         | Grommet, rear bumper fixing                                |                                       |               | A116W6726F         | 4          |
| 48         | Screw M6 x 20 hex hd, bracket to subframe                  | For fixing attaching clip for harness |               | A075W1030Z         | 2          |
| 49         | Washer M6 x 18 x 1, bumper to clam & rear subframe bracket |                                       |               | A082W4018F         | 14         |
| 50         | Washer, flat, M6 x 15 X 1.5. black, spoiler to tailgate    |                                       |               | A082W4133F         | 4          |
| 51         | Rear Wing Assembly GTE                                     |                                       |               | A132B6083F         | 1          |
| 52         | End Plate LH   |                                       |               | A132B4241F         | 1          |
| 53         | End Plate RH   |                                       |               | A132B4242F         | 1          |
| 54         | Screw M8 x 25 btn cap hd                                   |                                       |               | A111W7175F         | 8          |
| 55         | Shim   |                                       |               | A132U0340F         | 4          |

\*For prior MY12 see LSL597 and 12.03 for additional parts required

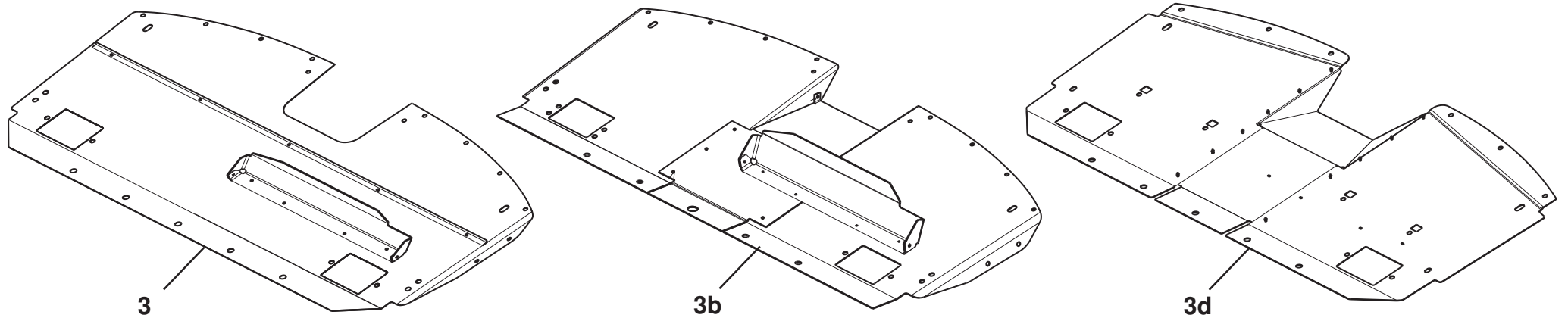




**EVORA**  
10.25 page1

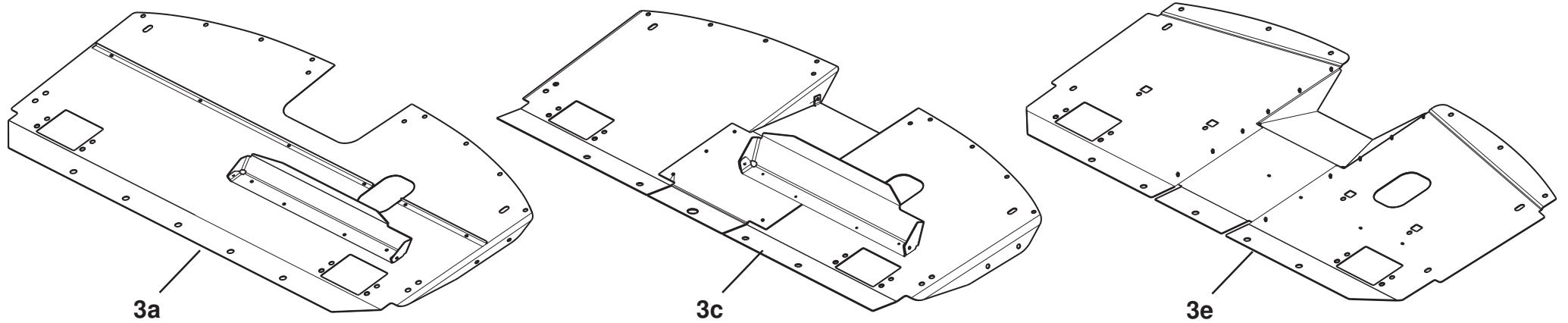
*Updated 1st July 2014*





**Prior MY12**

---



**MY12 on**

# Service Parts List



## Function Code 10.25 Undertray & Diffuser

| <u>Dep</u> | <u>Part Description</u>                        | <u>Remarks</u>                                 | <u>Option</u>                             | <u>Part Number</u> | <u>Qty</u> |
|------------|--|--|---|--------------------|------------|
| 01         | Diffuser grille surround assembly              | Includes grilles                               | S/Charged (man & auto)                    | <b>A132U0626F</b>  | 1          |
| 01a        | Diffuser grille surround assembly              | Gloss Black, includes grilles                  | S/Charged (man & auto)                    | <b>A132U0993S</b>  | 1          |
| 02         | Undertray Assembly, rear                       |  | MY09-11 N/A (man)                         | <b>A132U0418J</b>  | 1          |
| 02a        | Undertray Assembly, rear                       |  | All S/Charged, all auto, MY12<br>N/A man. | <b>B132U0470J</b>  | 1          |
| 03         | Diffuser Assembly & ARB Heatshield             | No longer available use 03a                    |   | <b>C132U0261J</b>  | 1          |
| 03a        | Diffuser Assembly & ARB Heatshield             | Access hole for exhaust actuator<br>valve      | MY12                                      | <b>D132U0261J</b>  | 1          |
| 03b        | Diffuser Assembly, Sport pack & ARB Heatshield | No longer available use 03c                    | Optional                                  | <b>D132U0366J</b>  | 1          |
| 03c        | Diffuser Assembly, Sport pack & ARB Heatshield | Access hole for exhaust actuator<br>valve      | MY12 Optional                             | <b>E132U0366J</b>  | 1          |
| 03d        | Diffuser Assembly without ARB Heatshield       | No longer available use 03e                    | S/Charged (man & auto)                    | <b>A132U0629F</b>  | 1          |
| 03e        | Diffuser Assembly without ARB Heatshield       | Access hole for exhaust actuator<br>valve      | MY12 S/Charged (man & auto)               | <b>B132U0629J</b>  | 1          |
| 04         | Diffuser Finisher                              | Satin Black without reversing<br>sensors holes |   | <b>A132U0291K</b>  | 1          |
| 04a        | Diffuser Finisher                              | Satin Black with reversing<br>sensors holes    | Tech pack                                 | <b>A132U0292K</b>  | 1          |
| 04b        | Diffuser Finisher                              | Gloss Black,with reversing<br>sensors holes    | Tech pack                                 | <b>A132U0991S</b>  | 1          |
| 04c        | Diffuser Finisher                              | Satin Black without reversing<br>sensors holes | S/Charged (man & auto)                    | <b>A132U0616K</b>  | 1          |



**Function Code 10.25 Undertray & Diffuser**

| <u>Dep</u> | <u>Part Description</u>                                     | <u>Remarks</u>                           | <u>Option</u>                          | <u>Part Number</u> | <u>Qty</u> |
|------------|---|--|--|--------------------|------------|
| 04d        | Diffuser Finisher   | Satin Black with reversing sensors holes | S/Charged (man & auto), with tech pack | A132U0639F         | 1          |
| 04e        | Diffuser Finisher   | Gloss Black,with reversing sensors holes | S/Charged (man & auto), with tech pack | A132U0992S         | 1          |
| 05         | NACA Duct, clip in type, long                               |  |  | A116A0143F         | 1          |
| 06         | NACA Duct, clip in type, short                              |  |  | A132U0167K         | 3          |
| 07         | Bracket, diffuser mounting centre                           |  | S/Charged (man & auto)                 | A132U0634F         | 1          |
| 08         | Bracket, diffuser mounting outer, LH                        |  | S/Charged (man & auto)                 | A132U4519F         | 1          |
| 08a        | Bracket, diffuser mounting outer, RH                        |  | S/Charged (man & auto)                 | A132U4520F         | 1          |
| 09         | Cover, rear diffuser access                                 |  |  | A132U0628F         | 2          |
| 10         | Duct, rear diffuser rear                                    |  | MY12                                   | A132U0904F         | 2          |
| 11         | ARB Heatshield  |  | S/Charged (man & auto)                 | B132U0441F         | 1          |
| 12         | Bracket, diffuser finisher support, LH                      |  |  | A132U4337F         | 1          |
| 12a        | Bracket, diffuser finisher support, RH                      |  |  | A132U4338F         | 1          |
| 13         | Tie Rod, diffuser rear support                              |  |  | A132U0328F         | 2          |
| 14         | Screw M6 x 20 skt btn hd                                    |  |  | A100W7096F         | 4          |
| 15         | Nut Nyloc M6 thin   |  |  | A907E6285F         | 4          |
| 16         | Washer M6 x 15 x 1.5  |  |  | A082W4133F         | 8          |
| 17         | Rivet   |  |  | A132A6022H         | 6          |
| 18         | Screw, M6 x 16, hex. flg. hd., bracket                      |  | S/Charged (man & auto)                 | A132W5003F         | 2          |
| 19         | Screw, M8 x 20, hex. flg. hd., rear undertray/diffuser fix. |  |  | A132W5005F         | 19         |



**Function Code 10.25 Undertray & Diffuser**

| <u>Dep</u> | <u>Part Description</u>                                    | <u>Remarks</u>  | <u>Option</u>          | <u>Part Number</u> | <u>Qty</u> |
|------------|--|-----------------|------------------------|--------------------|------------|
| 20         | Screw, M6 x 16, hex. flg. hd, rear diffuser access cover   |                 |                        | A918W5208F         | 4          |
| 21         | Nut, captive M6, diffuser finisher, access cover           |                 |                        | A117W6715F         | 8          |
| 22         | Screw, M6 x 16, hex. flg. hd., tie rod to subframe         |                 |                        | A132W5003F         | 2          |
| 23         | Screw, M6 x 16, button hd.black, bracket to diffuser       |                 |                        | A082W7105F         | 4          |
| 24         | Washer, flat, M6 x 15 X 1.5. black, bracket to diffuser    |                 |                        | A082W4133F         | 4          |
| 25         | Screw, M6 x 10, hex. hd., bracket to clam.                 |                 |                        | A075W1026Z         | 2          |
| 26         | Washer, flat, M6 x 15 x 1.5, bracket to clam.              |                 |                        | A075W4015Z         | 2          |
| 27         | Screw, M6 x 16, button hd. black, tie rod to diffuser      |                 |                        | A082W7105F         | 4          |
| 28         | Washer, flat, M6 x 15 x 1.5 black, tie rod to diffuser     |                 |                        | A082W4133F         | 4          |
| 29         | Screw, M8 x 20, button hd. black, diffuser fixing          |                 |                        | A075W7022Z         | 2          |
| 30         | Washer, flat, M8 x 20 x 1.5 black, diffuser fixing         |                 |                        | A111W4159F         | 2          |
| 31         | Screw, M6 x 20, hex. flg. hd., diffuser finisher, diffuser |                 | S/Charged (man & auto) | A132W5004F         | 4          |
| 32         | Screw, M6 x 16, button hd.black, diffuser to finisher      |                 |                        | A082W7105F         | 4          |
| 33         | Washer, flat, M6 x 15 x 1.5 black, diffuser to finisher    |                 |                        | A082W4133F         | 4          |
| 34         | Screw, M6 x 16, button. cap hd. s/s bkt, diffuser mounting |                 | S/Charged (man & auto) | A082W7105F         | 2          |
| 35         | Washer,M6 x 15 x 1.5, diffuser finisher, diffuser          |                 | S/Charged (man & auto) | A082W4133F         | 12         |
| 36         | Screw, M6 x 16, hex. flg. hd., bracket to diffuser         |                 | S/Charged (man & auto) | A918W5208F         | 6          |
| 37         | Washer, flat, M6 x 18 x 1.2, bracket to diffuser           |                 | S/Charged (man & auto) | A082W4018F         | 6          |
| 38         | Screw, M6 x 16, button hd, diffuser finisher, diffuser     |                 | S/Charged (man & auto) | A122W5282F         | 6          |
| 39         | Nut, nyloc, M6, diffuser finisher, diffuser                |                 | S/Charged (man & auto) | A907E6285F         | 6          |
| 40         | Pop Rivet, heatshield                                      | Not illustrated |                        | A082W6512F         | 4          |

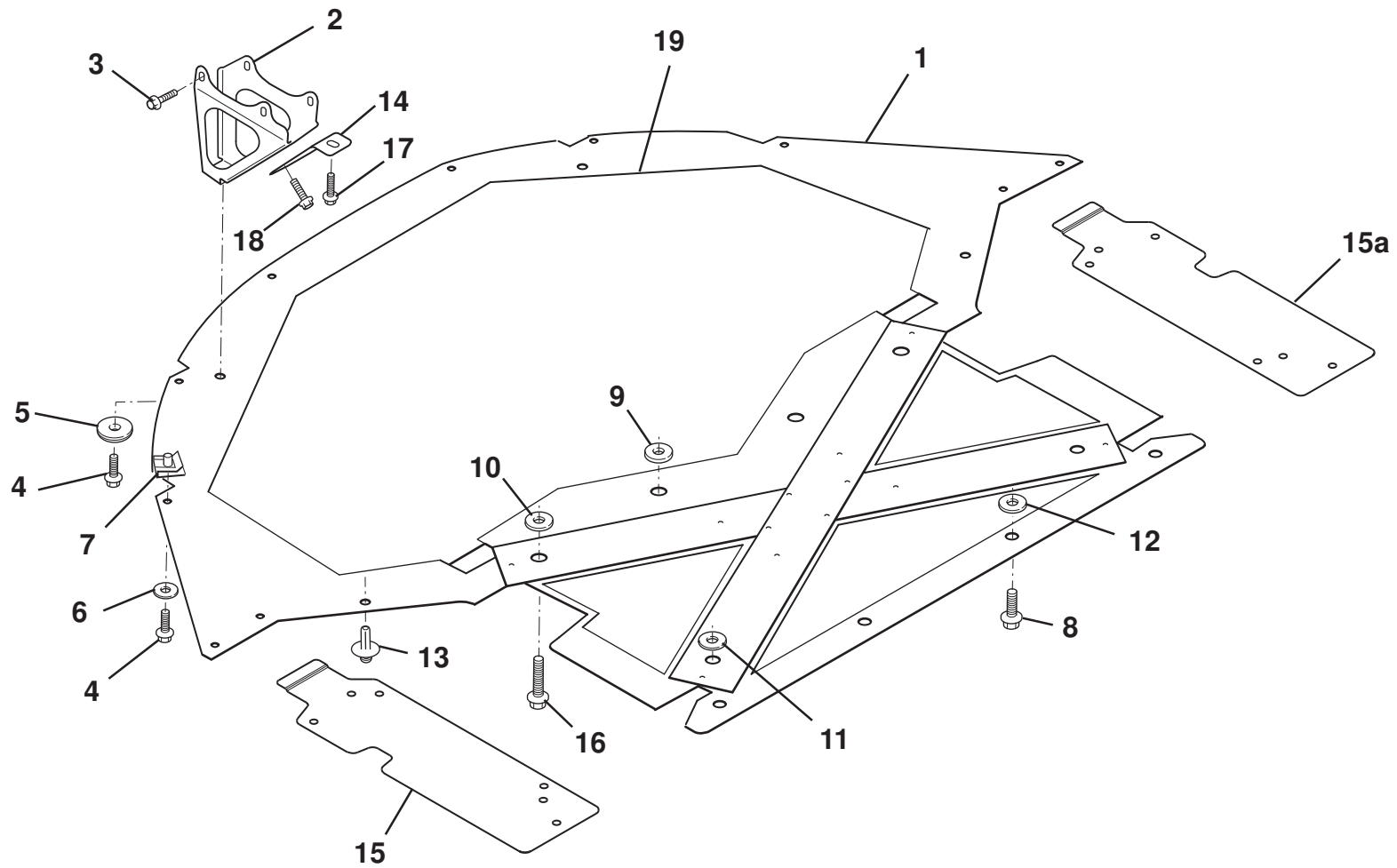


---

**Function Code 10.25 Undertray & Diffuser**

| <u>Dep</u> | <u>Part Description</u> | <u>Remarks</u>  | <u>Option</u> | <u>Part Number</u> | <u>Qty</u> |
|------------|-------------------------|-----------------|---------------|--------------------|------------|
| 41         | Washer, heatshield      | Not illustrated |               | B075W4009Z         | 1          |

---



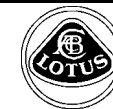
**EVORA**

10.26

*Updated 1st August 2016*

# Service Parts List

# EVORA



## Function Code 10.26 Front Undertray

| <u>Dep</u> | <u>Part Description</u>                                    | <u>Remarks</u> | <u>Option</u>                                | <u>Part Number</u> | <u>Qty</u> |
|------------|--|----------------|--|--------------------|------------|
| 01         | Undertray Assembly, front                                  |                |  | C132U0090J         | 1          |
| 02         | Bracket, lower LH, undertray to subframe                   |                |  | C132U4265F         | 1          |
| 02a        | Bracket, lower RH, undertray to subframe                   |                |  | C132U4266F         | 1          |
| 02b        | Bracket, lower LH, undertray to subframe                   |                | USA vin BH_11174 , all markets vin, BH_11178 | E132U4265F         | 1          |
| 02c        | Bracket, lower RH, undertray to subframe                   |                | USA vin BH_11174 , all markets vin, BH_11178 | E132U4266F         | 1          |
| 03         | Screw, M6 x 16, hex. flg. hd., bracket to subframe         |                |  | A918W5208F         | 8          |
| 04         | Screw, M6 x 16, hex. flg. hd., undertray to bumper/bracket |                |  | A918W5208F         | 10         |
| 05         | Rubbing Block, undertray protection                        |                |  | B132U0123F         | 2          |
| 06         | Washer, M6 x 18 x 1.6, undertray to bumper                 |                |  | A121W4196F         | 8          |
| 07         | Spirenut, M6, undertray to bumper                          |                |  | A117W6715F         | 8          |
| 08         | Screw, M8 x 20, hex. flg. hd., front undertray fixing      |                |  | A132W5005F         | 6          |
| 09         | Spacer, 13.7mm, front undertray                            |                |  | A132U0376F         | 2          |
| 10         | Spacer, 10.6mm, front undertray                            |                |  | A132U0226F         | 2          |
| 11         | Spacer, 4.6mm, front undertray                             |                |  | A132U0225F         | 4          |
| 12         | Spacer, 3.0mm, front undertray                             |                |  | A132U0237F         | 2          |
| 13         | Plastic Fastener, front undertray                          |                |  | A100W6391F         | 2          |
| 14         | Bracket Adj. Sup. Front Undertray LH                       |                |  | A132U4459F         | 1          |

EVORA

Function Code: 10.26, Page: 1

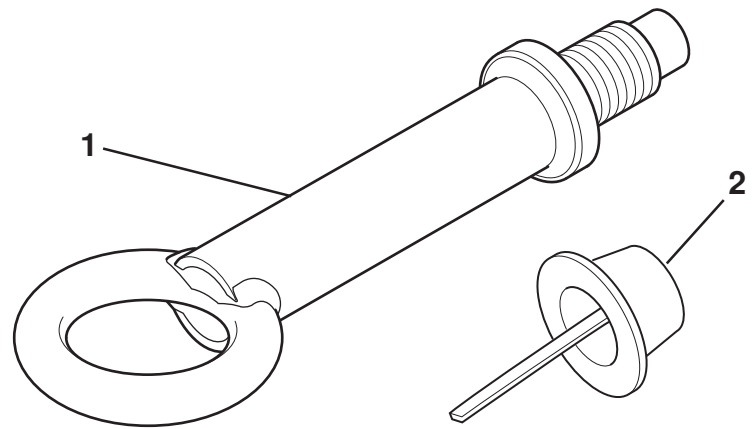
Updated 1st August 2016

---

**Function Code 10.26 Front Undertray**

| <u>Dep</u> | <u>Part Description</u>                            | <u>Remarks</u>        | <u>Option</u> | <u>Part Number</u> | <u>Qty</u> |
|------------|--|-----------------------|---------------|--------------------|------------|
| 14a        | Bracket Adj. Sup. Front Undertray RH               |                       |               | A132U4460F         | 1          |
| 15         | Cover, undertray assembly, front LH                |                       |               | A132U4445F         | 1          |
| 15a        | Cover, undertray assembly, front RH                |                       |               | A132U4446F         | 1          |
| 16         | Bolt, M8 x 30, hex.flg hd., front undertray fixing |                       |               | A116W5245F         | 4          |
| 17         | Screw, M6 x 16, hex. flg. hd., brkt. Adj           |                       |               | A132W5003F         | 4          |
| 18         | Screw, M6 x 25, hex. flg. hd., brkt. Adj           |                       |               | A132W5014F         | 4          |
| 19         | Damping, front undertray                           | Front, rear and sides |               | B132U0440F         | 1          |





**EVORA**

10.31

*Updated 1st July 2014*

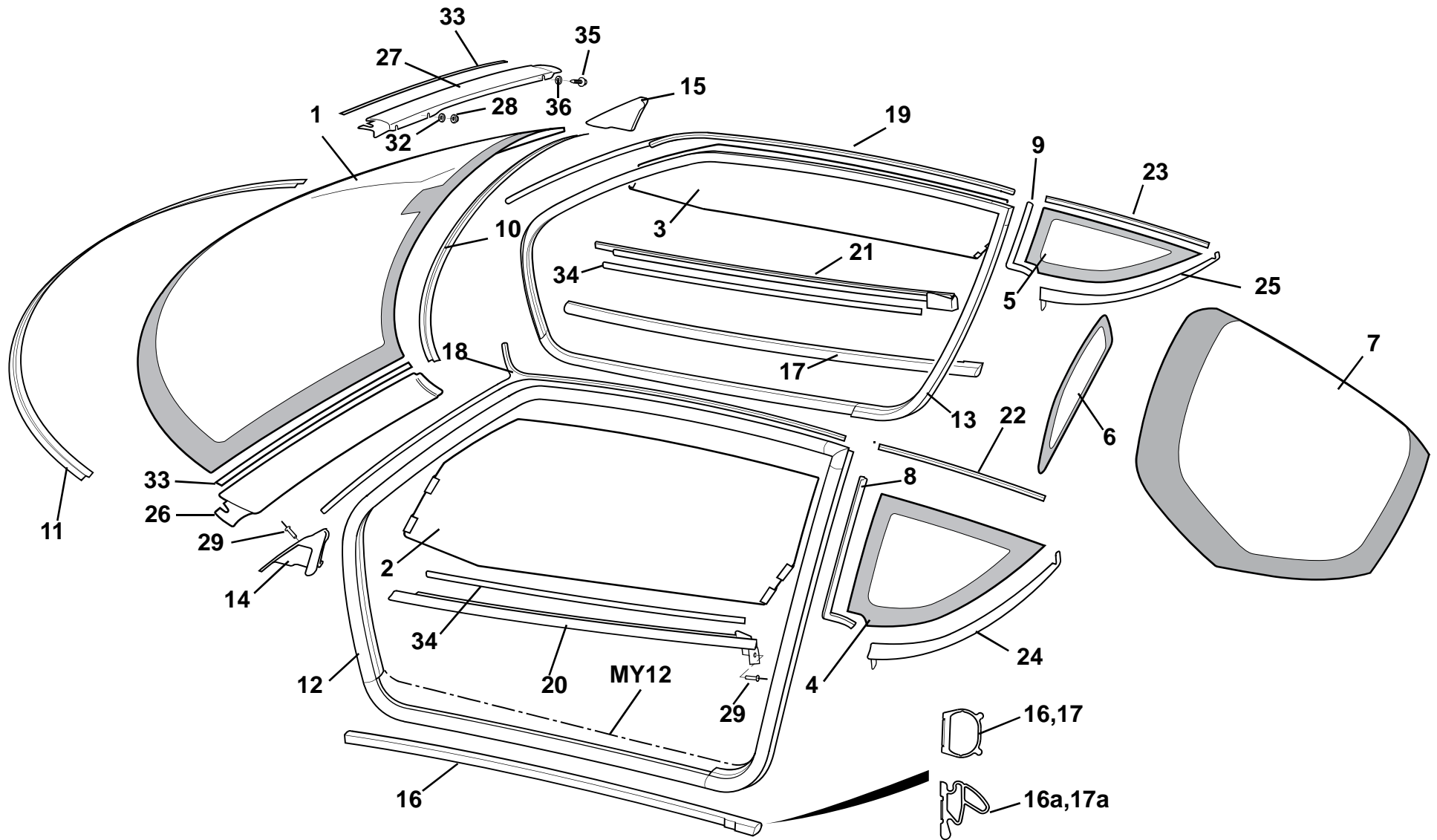
# Service Parts List



## Function Code 10.31 Towing Strut/ Hook

| <u>Dep</u> | <u>Part Description</u> | <u>Remarks</u> | <u>Option</u> | <u>Part Number</u> | <u>Qty</u> |
|------------|-------------------------|----------------|---------------|--------------------|------------|
| 01         | Towing Eye, front       |                |               | A132A0374F         | 1          |
| 02         | Pull Plug               |                |               | A132W6076F         | 1          |



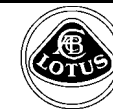


**EVORA**

**11.01**

*Updated 4th March 2019*

# Service Parts List



## Function Code 11.01 Windscreen, Door Glass, Seals & Weather Strips

| <u>Dep</u> | <u>Part Description</u>            | <u>Remarks</u>               | <u>Option</u> | <u>Part Number</u> | <u>Qty</u> |
|------------|------------------------------------|------------------------------|---------------|--------------------|------------|
| 01         | Windscreen Assembly                | Also order items 10 & 11     |               | C132U0001F         | 1          |
| 02         | Door Glass Assembly, LH            |                              |               | B132B4057J         | 1          |
| 03         | Door Glass Assembly, RH            |                              |               | B132B4058J         | 1          |
| 04         | Glass, rear quarter, LH            |                              |               | D132U4001F         | 1          |
| 05         | Glass, rear quarter, RH            |                              |               | A132U4002F         | 1          |
| 06         | Glass, rear bulkhead               |                              |               | E132U0003F         | 1          |
| 07         | Glass, tailgate, heated            |                              |               | C132U0319F         | 1          |
| 08         | Seal, rear quarter glass front, LH |                              |               | B132U4393F         | 1          |
| 09         | Seal, rear quarter glass front, RH |                              |               | B132U4394F         | 1          |
| 10         | Seal, windscreen upper             |                              |               | A132U0266F         | 1          |
| 11         | Seal, windscreen lower             |                              |               | A132U0402F         | 1          |
| 12         | Door Primary Seal, LH              |                              |               | C132U4011F         | 1          |
| 12a        | Door Primary Seal, LH              | Revised routing in sill area | MY12          | C132U4653F         | 1          |
| 13         | Door Primary Seal, RH              |                              |               | C132U4012F         | 1          |
| 13a        | Door Primary Seal, RH              | Revised routing in sill area | MY12          | C132U4654F         | 1          |
| 14         | Cheater Seal, LH                   |                              |               | B132U4081F         | 1          |
| 15         | Cheater Seal, RH                   |                              |               | B132U4082F         | 1          |
| 16         | Door Secondary Seal, LH            |                              |               | A132U4403F         | 1          |



**Function Code 11.01 Windscreen, Door Glass, Seals & Weather Strips**

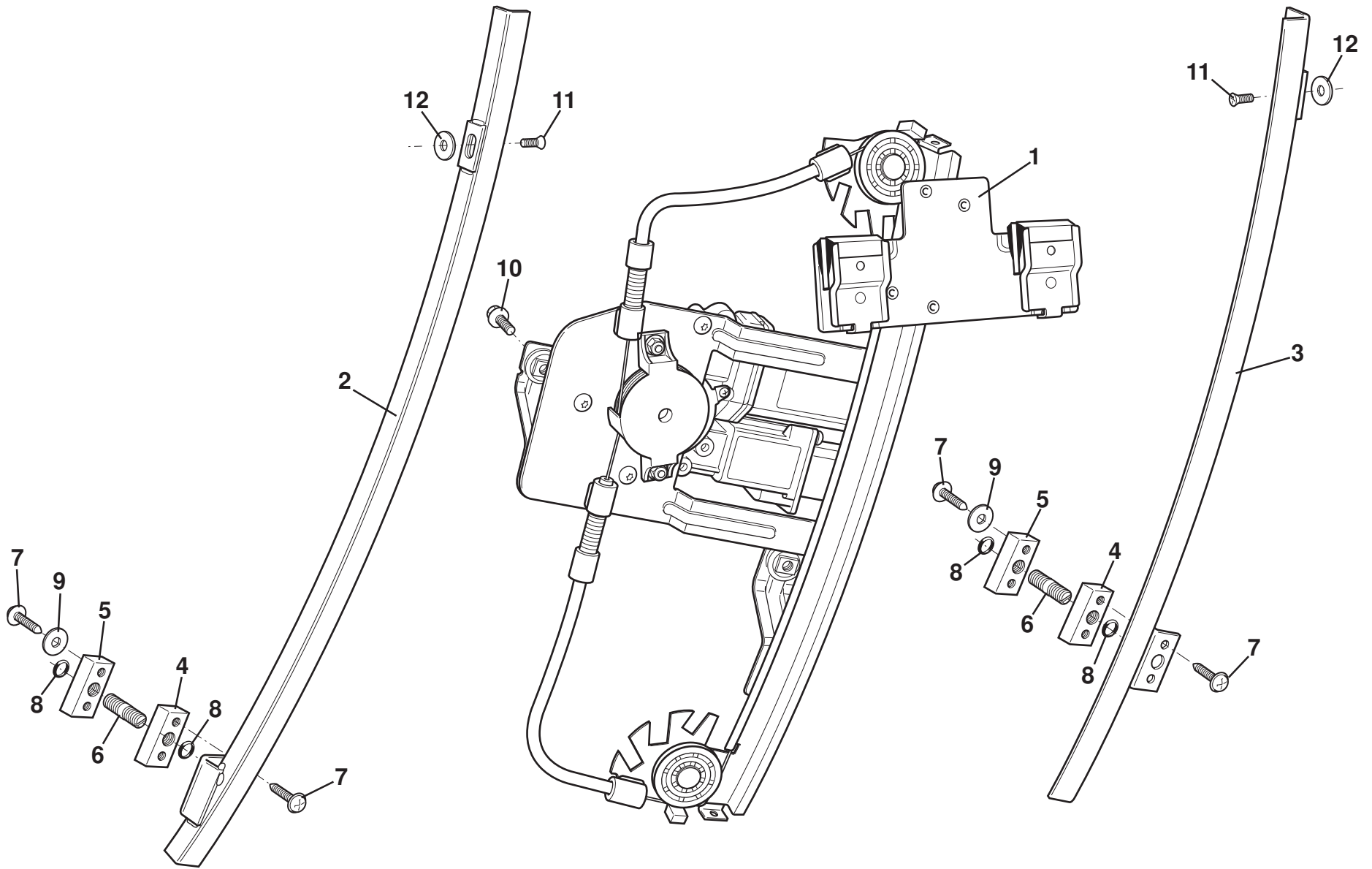
| <u>Dep</u> | <u>Part Description</u>                     | <u>Remarks</u>  | <u>Option</u>      | <u>Part Number</u> | <u>Qty</u> |
|------------|---|---|--------------------|--------------------|------------|
| 16a        | Door Secondary Seal, LH                     |   |                    | A132U0793F         | 1          |
| 17         | Door Secondary Seal, RH                     |   |                    | A132U4404F         | 1          |
| 17a        | Door Secondary Seal, RH                     |   |                    | A132U0793F         | 1          |
| 18         | Seal, door glass, LH                        |   |                    | B132U4159F         | 1          |
| 19         | Seal, door glass, RH                        |   |                    | B132U4160F         | 1          |
| 20         | Waist Seal, LH                              |   |                    | E132U4061F         | 1          |
| 21         | Waist Seal, RH                              |   |                    | E132U4062F         | 1          |
| 22         | Seal, quarter glass upper, LH               |   | D132U4273F R/B     | F132U4273F         | 1          |
| 23         | Seal, quarter glass upper, RH               |   | D132U4274F R/B     | F132U4273F         | 1          |
| 24         | Seal, quarter glass lower, LH               |   |                    | B132U4083F         | 1          |
| 25         | Seal, quarter glass lower, RH               |   |                    | B132U4084F         | 1          |
| 26         | Trim Panel, 'A' pillar LH                   | Also order item 33                                      |                    | D132U4007F         | 1          |
| 26a        | Trim Panel, 'A' pillar LH                   | Also order item 33                                      | Gulf states        | A132U4783F         | 1          |
| 27         | Trim Panel, 'A' pillar RH                   | Also order item 33                                      |                    | D132U4008F         | 1          |
| 27a        | Trim Panel, 'A' pillar RH                   | Also order item 33                                      | Gulf states        | A132U4784F         | 1          |
| 28         | Nut, M4, dome, trim panels fixing           |   |                    | A132W3024F         | 6          |
| 29         | Plastic Rivet, cheater & waist seal to door |   |                    | A079W6195F         | 8          |
| 30         | Door Curtain, self adhesive foam, RH        | Not illustrated, See also 10.15, doors with sill button | Up to vin CH_10629 | A132B4158F         | 1          |
| 30a        | Door Curtain, self adhesive foam, LH        | Not illustrated, See also 10.15, Doors with sill button | Up to vin CH_10629 | A132B4157F         | 1          |



---

**Function Code 11.01 Windscreen, Door Glass, Seals & Weather Strips**

| <u>Dep</u> | <u>Part Description</u>                          | <u>Remarks</u>  | <u>Option</u>     | <u>Part Number</u> | <u>Qty</u> |
|------------|--|---|-------------------|--------------------|------------|
| 31         | Door Curtain, RH                                 | Not illustrated, See also 10.15,<br>doors without sill button | From vin CH_10630 | <b>A132B4232F</b>  | 1          |
| 31a        | Door Curtain, LH                                 | Not illustrated, See also 10.15,<br>doors without sill button | From vin CH_10630 | <b>A132B4231F</b>  | 1          |
| 31b        | Beading, Door Curtain                            | Not illustrated, See also 10.15,<br>doors without sill button | From vin CH_10630 | <b>A100B6207F</b>  | 2          |
| 32         | Washer M4 black, trim panels fixing              |   |                   | <b>A082W4136F</b>  | 6          |
| 33         | Double Sided Foam Tape, 'A' pillar trim to glass |   |                   | <b>C075U6071V</b>  | 1.5m       |
| 34         | Tape   |   |                   | <b>A100B6207V</b>  | 2          |
| 35         | Screw no 8 x 3/4 flg hd s/tap                    |   |                   | <b>A116W5253F</b>  | 2          |
| 36         | Washer M6  |   |                   | <b>A120B0310F</b>  | 2          |



**EVORA**

11.02

2009/02

# Service Parts List

# EVORA

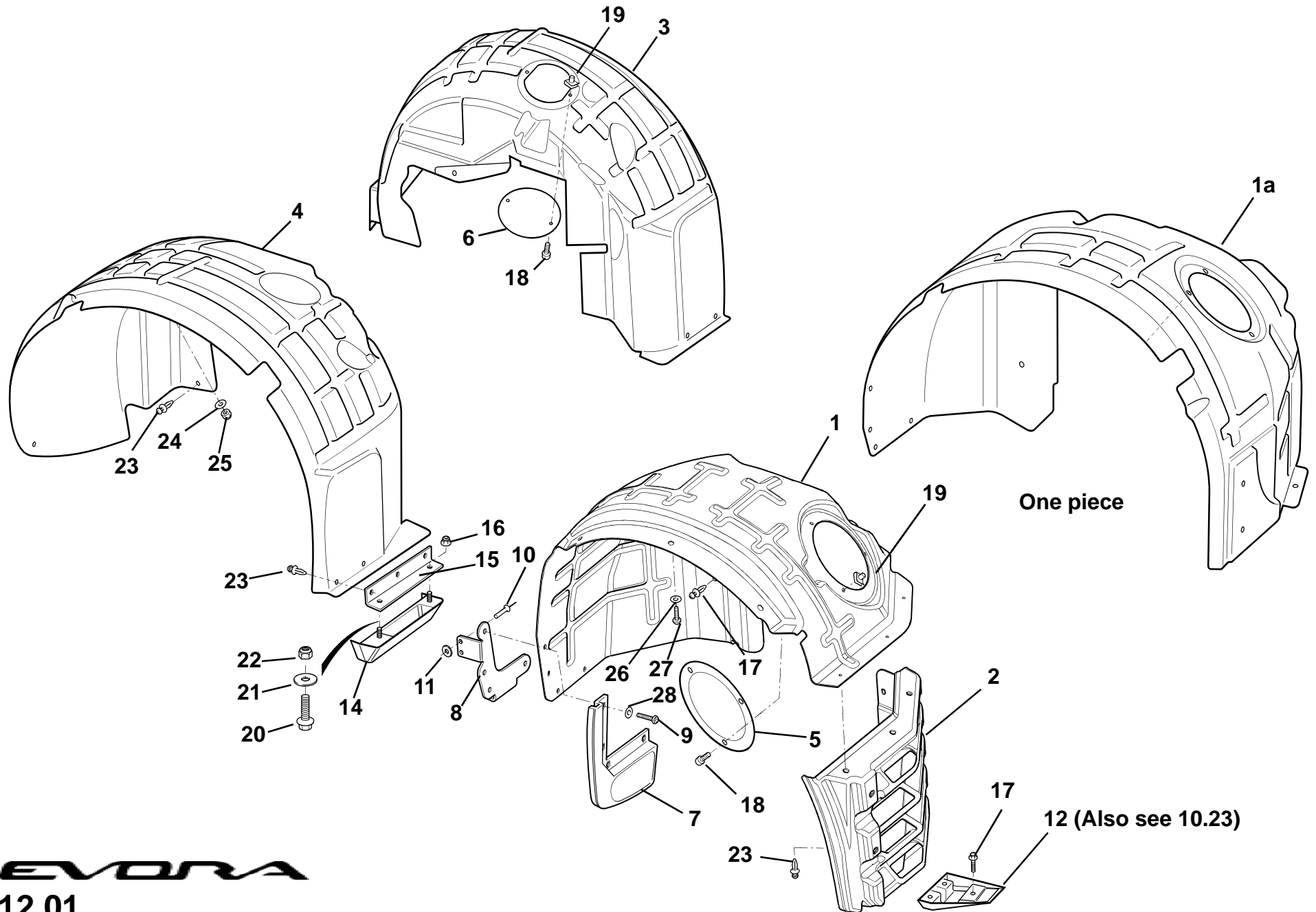


## Function Code 11.02 Door Window Lift Mechanism

| <u>Dep</u> | <u>Part Description</u>                           | <u>Remarks</u> | <u>Option</u> | <u>Part Number</u> | <u>Qty</u> |
|------------|---|----------------|---------------|--------------------|------------|
| 01         | Regulator, door glass position, LH                |                |               | C132B4051F         | 1          |
| 01a        | Regulator, door glass position, RH                |                |               | C132B4052F         | 1          |
| 02         | Guide Rail, door glass front, LH                  |                |               | A132U4111F         | 1          |
| 02a        | Guide Rail, door glass front, RH                  |                |               | A132U4112F         | 1          |
| 03         | Guide Rail, door glass rear, LH                   |                |               | A132U4113F         | 1          |
| 03a        | Guide Rail, door glass rear, RH                   |                |               | A132U4114F         | 1          |
| 04         | Adjuster Block, guide rail LH thread              |                |               | A116U0020F         | 4          |
| 05         | Adjuster Block, guide rail RH thread              |                |               | A116U0021F         | 4          |
| 06         | Stud, rail adjusting                              |                |               | A116U0022F         | 4          |
| 07         | Screw, No. 6 x 1/2", flg. pozi, hd., block fixing |                |               | A075W5012F         | 16         |
| 08         | 'O' Ring  |                |               | A116U0023F         | 8          |
| 09         | Washer, flat, 1/8 x 3/8", block to door           |                |               | A075W4001Z         | 8          |
| 10         | Screw, M6 x 12, hex. flg hd., regulator to door   |                |               | A111E6007F         | 3          |
| 11         | Screw, M5 x 12, csk. pozi..., rails to door       |                |               | A100W5196F         | 4          |
| 12         | Washer, flat, M6 x 15 x 1.5, rails to door        |                |               | A075W4015Z         | 4          |

EVORA



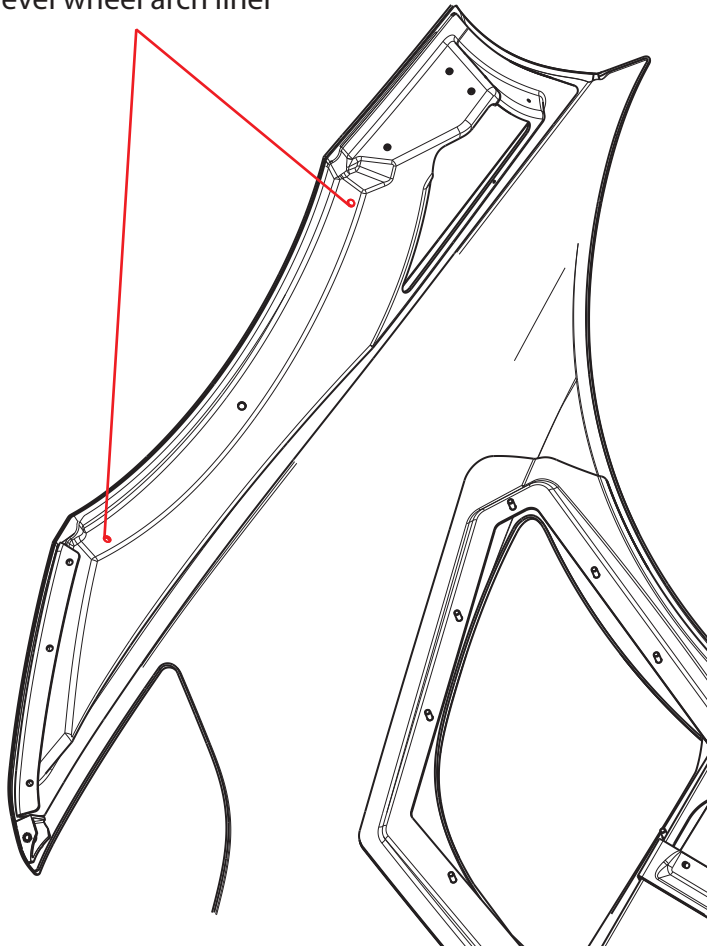


**EVORA**  
12.01

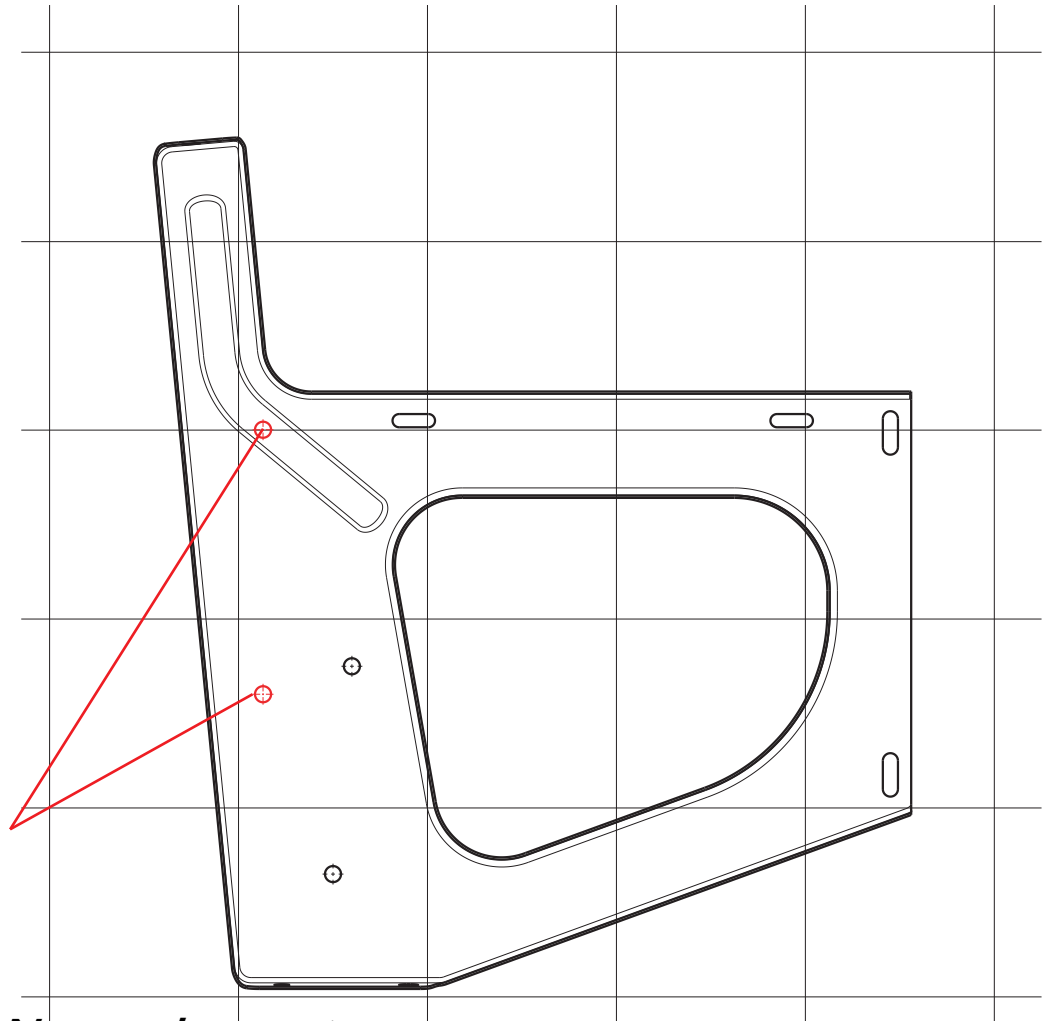
*Updated 30th September 2019*

# Replacing one piece front wheel arch liner with two piece new fixing hole locations

New fixing holes location in Front Clam  
for 'D' level wheel arch liner



New fixing hole locations  
in bumper bracket



*Updated 21st November 2012*

# Service Parts List



## Function Code 12.01 Wheelarch Liners

| <u>Dep</u> | <u>Part Description</u>                        | <u>Remarks</u>                            | <u>Option</u>                                | <u>Part Number</u> | <u>Qty</u> |
|------------|--|---|--|--------------------|------------|
| 01         | Wheelarch Liner, front, RH, two piece          | Excluding 02                              | USA vin BH_11174 , all markets vin, BH_11178 | <b>D132U4390F</b>  | 1          |
| 01a        | Wheelarch Liner Assembly, front, RH, two piece | Includes item 02 and 05                   | USA vin BH_11174 , all markets vin, BH_11178 | <b>A132U0878F</b>  | 1          |
| 01b        | Wheelarch Liner, front, RH, one piece          | If unavailable order item 01a, see LSL614 |  | <b>C132U4390F</b>  | 1          |
| 01c        | Wheelarch Liner, front, LH, two piece          | Excluding 02                              | USA vin BH_11174 , all markets vin, BH_11178 | <b>D132U4389F</b>  | 1          |
| 01d        | Wheelarch Liner Assembly, front, LH, two piece | Includes item 02a and 05                  | USA vin BH_11174 , all markets vin, BH_11178 | <b>A132U0879F</b>  | 1          |
| 01e        | Wheelarch Liner, front, LH, one piece          | If unavailable order item 01d, see LSL614 |  | <b>C132U4389F</b>  | 1          |
| 02         | Grille oil cooler exit RH                      | Forms part of wheelarch liner             | USA vin BH_11174 , all markets vin, BH_11178 | <b>A132U4476F</b>  | 1          |
| 02a        | Grille oil cooler exit LH                      | Forms part of wheelarch liner             | USA vin BH_11174 , all markets vin, BH_11178 | <b>A132U4475F</b>  | 1          |
| 03         | Wheelarch Liner, rear, LH                      |   |  | <b>B132U4391F</b>  | 1          |
| 04         | Wheelarch Liner, rear, RH                      |   |  | <b>B132U4392F</b>  | 1          |
| 05         | Panel, lamp access, front                      |   |  | <b>B132U0432F</b>  | 2          |
| 06         | Panel, access, rear, LH                        |   |  | <b>B132U0398F</b>  | 1          |
| 07         | Mudflap, front, RH                             |   |  | <b>A132B4100F</b>  | 1          |
| 07a        | Mudflap, front, LH                             |   |  | <b>A132B4099F</b>  | 1          |



**Function Code 12.01 Wheelarch Liners**

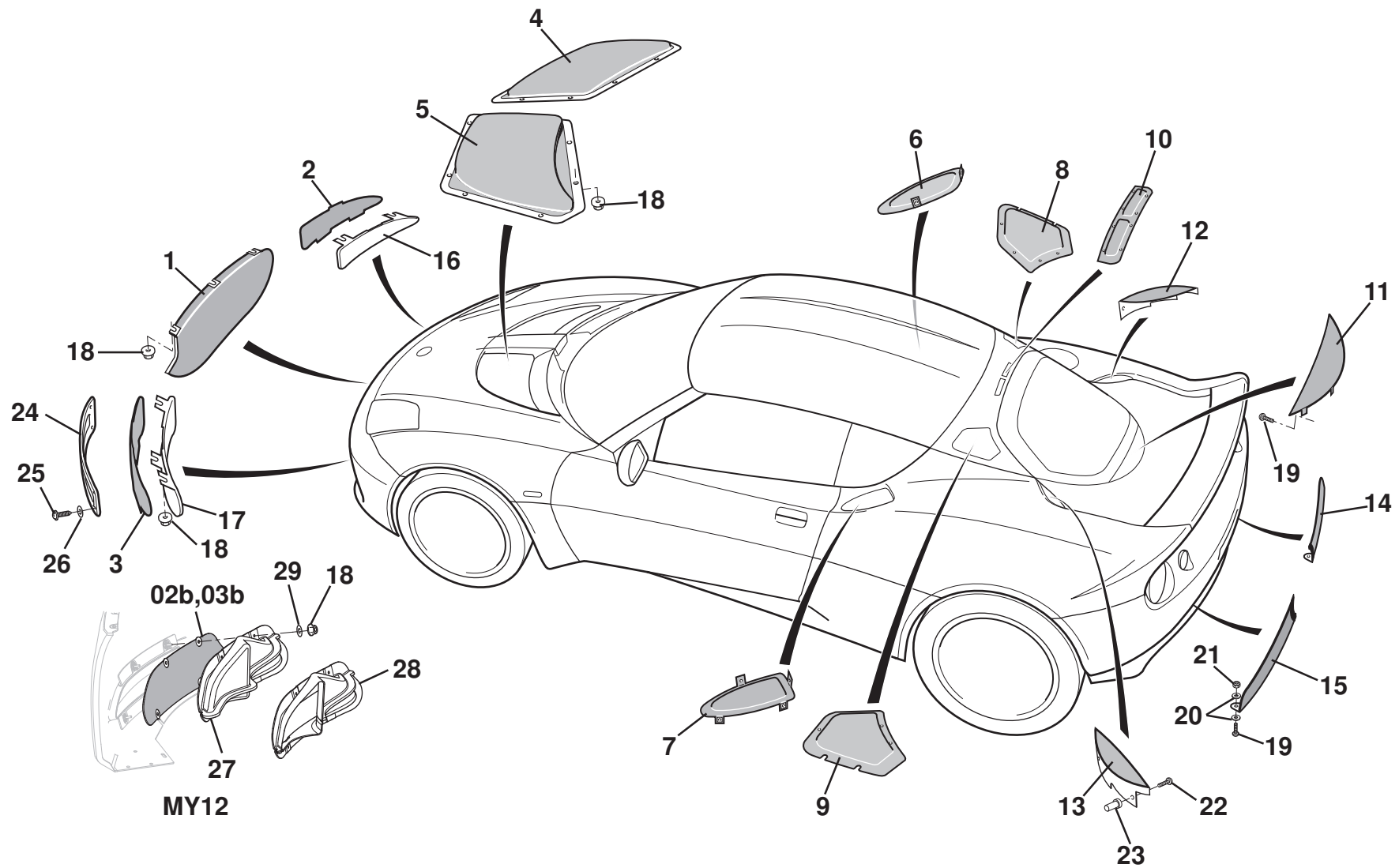
| <u>Dep</u> | <u>Part Description</u>                                | <u>Remarks</u>                  | <u>Option</u>      | <u>Part Number</u> | <u>Qty</u> |
|------------|--|---------------------------------|--------------------|--------------------|------------|
| 08         | Bracket, mudflap mounting, RH                          |                                 |                    | A132U4400F         | 1          |
| 08a        | Bracket, mudflap mounting, LH                          |                                 |                    | A132U4399F         | 1          |
| 09         | Screw, M5 x 16, pan pozi. hd., S/S black, mudflap fix. |                                 |                    | A082W5184F         | 8          |
| 10         | Pop Rivet, bracket to 'A' panel                        |                                 |                    | A132W6024F         | 8          |
| 11         | Washer, flat, M4 x 9 x 0.8, bracket to 'A' panel       |                                 |                    | A082W4099F         | 4          |
| 12         | Diffuser Spat, front, RH                               | Early cars only, also see 10.23 | If fitted          | B132U4260J         | 1          |
| 12a        | Diffuser Spat, front, LH                               | Early cars only, also see 10.23 | If fitted          | B132U4259J         | 1          |
| 13         | Screw, M6 x 16, hex. flg. hd., spat to bumper          |                                 |                    | A132W5003F         | 6          |
| 14         | Diffuser Spat, rear, RH                                | Early cars only                 | If fitted          | B132U4258J         | 1          |
| 14a        | Diffuser Spat, rear, LH                                | Early cars only                 | If fitted          | B132U4257J         | 1          |
| 15         | Bracket, liner mounting                                |                                 |                    | A132U0434F         | 2          |
| 16         | Nyloc Nut, M5, flg., spat to bracket                   |                                 |                    | A132W3000F         | 4          |
| 17         | Plastic Fastener, liner fixing                         |                                 |                    | A100W6391F         | 20         |
| 18         | Thumbscrew, M6 x 15, access panels fixing              |                                 |                    | A120W5296F         | 10         |
| 19         | Captive Nut, M6, access panels fixing                  |                                 |                    | A117W3181F         | 10         |
| 20         | Screw, M5 x 12, hex. flg. hd., bracket to sill         | Replaces item 14, 14a           | Cars without spats | A132W5002F         | 4          |
| 21         | Washer, flat, 3/16" x 3/4", bracket to sill            | Replaces item 14, 14a           | Cars without spats | A075W4006Z         | 4          |
| 22         | Nyloc Nut, M5, bracket to sill                         | Replaces item 14, 14a           | Cars without spats | A132W3000F         | 4          |
| 23         | Scrivet M8   |                                 |                    | A100W6481F         | 26         |
| 24         | Washer 6.4 x 18 x 1                                    |                                 |                    | B082W4018F         | 2          |
| 25         | Nut Nyloc M6   |                                 |                    | A0907E6285F        | 2          |



---

**Function Code 12.01 Wheelarch Liners**

| <u>Dep</u> | <u>Part Description</u>       | <u>Remarks</u> | <u>Option</u> | <u>Part Number</u> | <u>Qty</u> |
|------------|-------------------------------|----------------|---------------|--------------------|------------|
| 26         | Screw M5 x 16 pan pozi        |                |               | A082W5184F         | 2          |
| 27         | Washer Flat M5 x 25 x 1.5 s/s |                |               | A124W4195F         | 2          |
| 28         | Washer Flat 3/16 x 17g        |                |               | A082W4129F         | 8          |

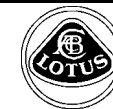


**EVORA**  
12.03

*Updated 12th September 2011*

# Service Parts List

# EVORA



## Function Code 12.03 Grilles and Louvres

| <u>Dep</u> | <u>Part Description</u>      | <u>Remarks</u>                          | <u>Option</u>                                | <u>Part Number</u> | <u>Qty</u> |
|------------|------------------------------|---|--|--------------------|------------|
| 01         | Grille, front intake         |   |  | D132U0187F         | 1          |
| 02         | Grille, front intake, RH     | Without intake duct                     | Up to vin BH_11178                           | B132U4076F         | 1          |
| 02a        | Grille, front inlet duct, RH | For duct see 46.06                      | USA vin BH_11174 , all markets vin, BH_11178 | C132U4076F         | 1          |
| 02b        | Grille, front inlet duct, RH | Also for replacement bumpers prior MY12 | MY12   | A132U4616F         | 1          |
| 03         | Grille, front intake , LH    | Without intake duct                     | Up to vin BH_11178                           | B132U4075F         | 1          |
| 03a        | Grille, front inlet duct, LH | For duct see 46.06                      | USA vin BH_11174 , all markets vin, BH_11178 | C132U4075F         | 1          |
| 03b        | Grille, front inlet duct, LH | Also for replacement bumpers prior MY12 | MY12   | A132U4615F         | 1          |
| 04         | Grille, front exit, RH       |   |  | D132U4004F         | 1          |
| 05         | Grille, front exit, LH       |   |  | D132U4003F         | 1          |
| 06         | Grille, side intake, RH      |   |  | B132U4078F         | 1          |
| 07         | Grille, side intake, LH      |   |  | B132U4077F         | 1          |
| 08         | Grille, roof, RH             |   |  | C132U4104H         | 1          |
| 09         | Grille, roof, LH             |   |  | C132U4103H         | 1          |
| 10         | Grille, roof centre          |   |  | C132U0046H         | 1          |
| 10a        | Grille, roof centre          |   | Gulf states                                  | A132U0986F         | 1          |
| 11         | Grille, tailgate             |   |  | D132U0091F         | 1          |

EVORA

**Function Code 12.03 Grilles and Louvres**

| <u>Dep</u> | <u>Part Description</u>                              | <u>Remarks</u>                          | <u>Option</u>                                | <u>Part Number</u> | <u>Qty</u> |
|------------|--|---|--|--------------------|------------|
| 11a        | Trim, tailgate grille                                |   |  | B132U0309F         | 1          |
| 12         | Grille, side outlet, RH                              |   |  | D132U4108F         | 1          |
| 13         | Grille, side outlet, LH                              |   |  | D132U4107F         | 1          |
| 14         | Grille, diffuser, RH                                 |   | NA (man & auto)                              | C132U4300F         | 1          |
| 15         | Grille, diffuser, LH                                 |   | NA (man & auto)                              | C132U4299F         | 1          |
| 16         | Blanking Plate, front grille, RH                     |   | Up to vin BH_11178                           | C132U4088F         | 1          |
| 17         | Blanking Plate, front grille, LH                     |   | Up to vin BH_11178                           | C132U4087F         | 1          |
| 18         | Nyloc Nut, M5, flg., grille fixing                   |   |  | A132W3000F         | 22         |
| 19         | Screw, M6 x 16, button hd., grille to diffuser       |   |  | A082W7105F         | 8          |
| 20         | Washer, flat, M6 x 15 x 1.5, grille to diffuser      |   |  | A082W4133F         | 16         |
| 21         | Nyloc Nut, M6, thin, grille to diffuser              |   |  | A907E6285F         | 8          |
| 22         | Screw, No. 8 x 3/4", flg. pozi. black, grille fixing |   |  | A075W5074Z         | 12         |
| 23         | Rawlnut.nylon  |   |  | A132W6061F         | 12         |
| 24         | Grille Carrier, front inlet duct                     |   | USA vin BH_11174 , all markets vin, BH_11178 | A132U0586K         | 2          |
| 25         | Screw No.6 flg pozi, grille carrier                  |   | USA vin BH_11174 , all markets vin, BH_11178 | A075W5012F         | 12         |
| 26         | Washer Flat M6, grille carrier                       |   | USA vin BH_11174 , all markets vin, BH_11178 | A075W4013F         | 12         |
| 27         | Duct Assembly Closed LH                              | Also for replacement bumpers prior MY12 | MY12 Man (NA & S/Charged)                    | A132U0867F         | 1          |
| 27a        | Duct Assembly Closed RH                              | Also for replacement bumpers prior MY12 | MY12 NA (man & auto)                         | A132U0868F         | 1          |

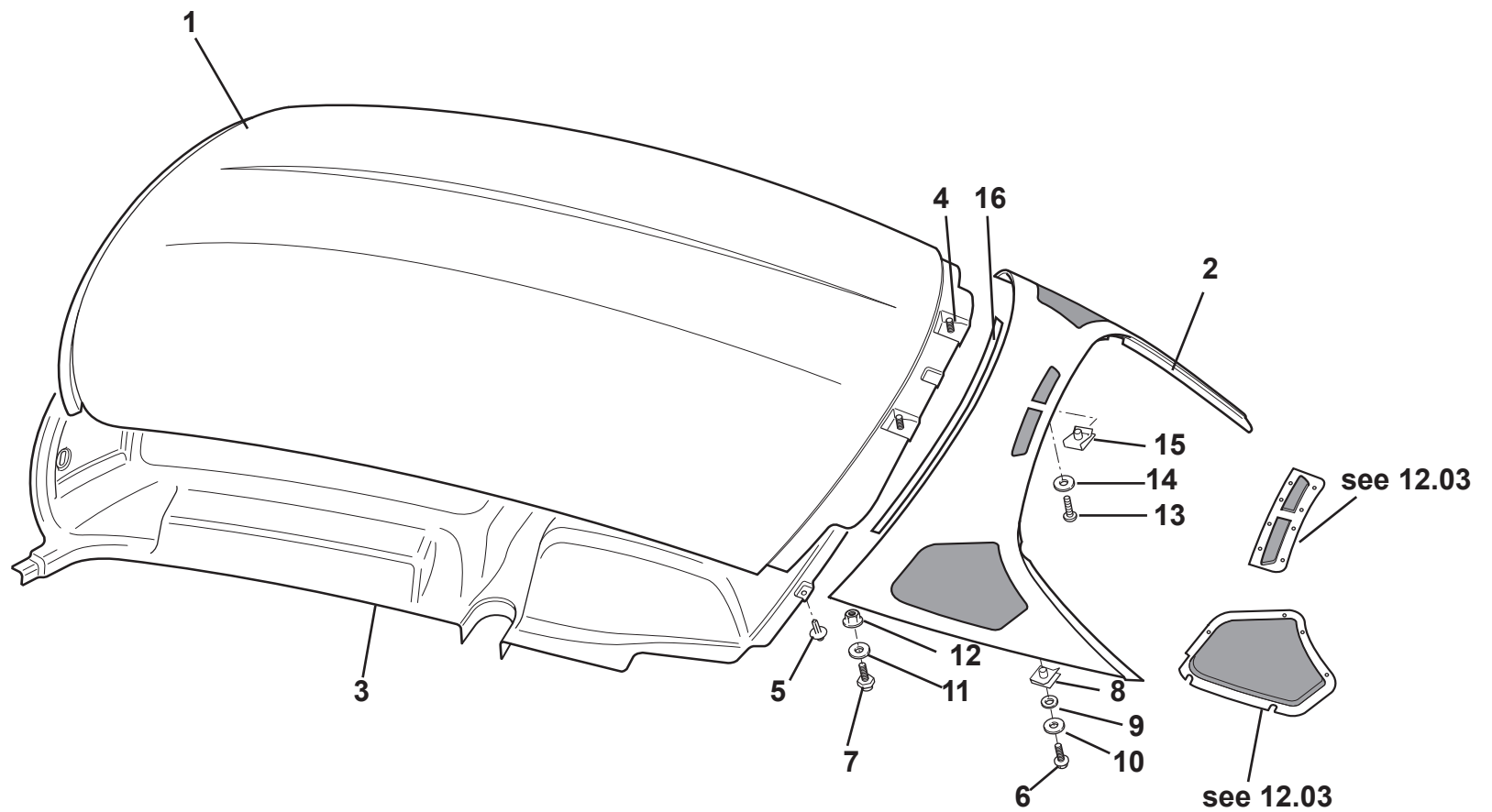




---

**Function Code 12.03 Grilles and Louvres**

| <u>Dep</u> | <u>Part Description</u>           | <u>Remarks</u> | <u>Option</u>               | <u>Part Number</u> | <u>Qty</u> |
|------------|-----------------------------------|----------------|-----------------------------|--------------------|------------|
| 28         | Duct Assembly Open LH             |                | MY12 Auto (NA & S/Charged)  | <b>A132U0865F</b>  | 1          |
| 28a        | Duct Assembly Open RH             |                | MY12 S/Charged (man & auto) | <b>A132U0866F</b>  | 1          |
| 29         | Washer M5 x 10 x 0.8, duct fixing |                |                             | <b>A075W4011Z</b>  | 8          |



**EVORA**

**12.04**

*Updated 1st December 2020*

# Service Parts List



## Function Code 12.04 Roof Panel, Seals & Fixings

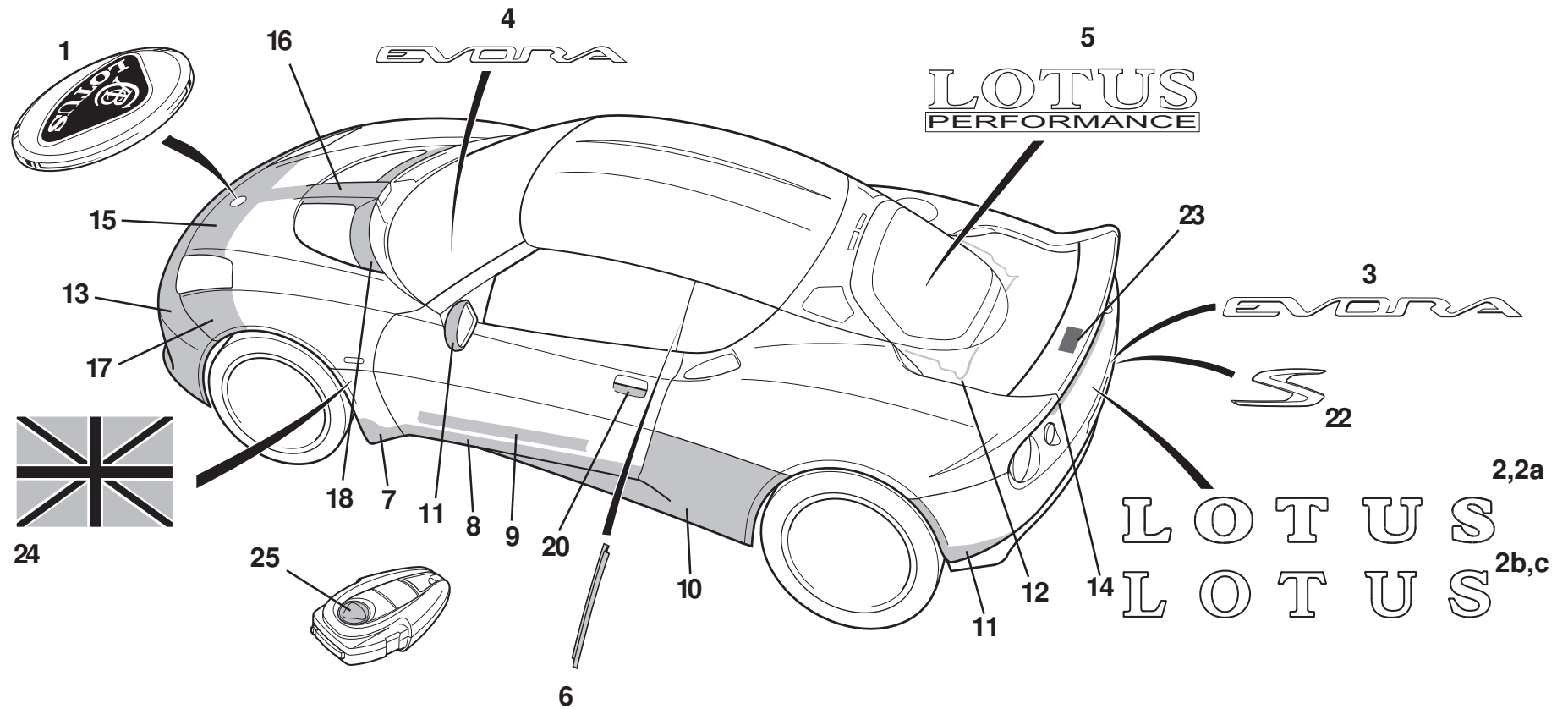
| <u>Dep</u> | <u>Part Description</u>                                 | <u>Remarks</u>   | <u>Option</u>              | <u>Part Number</u> | <u>Qty</u> |
|------------|---|--|----------------------------|--------------------|------------|
| 01         | Roof Panel  | Bonded in position, also order item 29 section 10.01       | Primed                     | A132B0018K         | 1          |
| 02         | Ventilation Panel, engine bay & fixings                 | Includes grilles   | Black                      | A132B0209S         | 1          |
| 02a        | Ventilation Panel, engine bay                           | Includes grilles   | Black                      | C132B0047F         | 1          |
| 02b        | Ventilation Panel, engine bay                           | Includes grilles   | Black, Gulf states         | A132U1005F         | 1          |
| 03         | Headliner Assembly, beige*                              |  |                            | B132U0018F         | 1          |
| 03a        | Headliner Assembly, beige, homelink*                    |  |                            | B132V0168F         | 1          |
| 03b        | Headliner Assembly, light grey*                         |  |                            | F132V0100F         | 1          |
| 03c        | Headliner Assembly, light grey                          |  | MY14, from to vin EH_10009 | G132V0100F         | 1          |
| 03d        | Headliner Assembly, light grey, homelink*               |  |                            | A132V0981S         | 1          |
| 03e        | Headliner Assembly, light grey, homelink                |  | MY14, from to vin EH_10009 | B132V0981S         | 1          |
| 03f        | Headliner Assembly, dark grey*                          |  |                            | C132V0377F         | 1          |
| 03g        | Headliner Assembly, dark grey                           |  | MY13, from to vin DH_11093 | D132V0377F         | 1          |
| 03h        | Headliner Assembly, dark grey, homelink*                |  |                            | A132V0982S         | 1          |
| 03i        | Headliner Assembly, dark grey, homelink                 |  | MY13, from to vin DH_11093 | B132V0982S         | 1          |
| 03j        | Headliner Kit light grey_ A ,B pillar trims & sunvisors | Use headliner trim order form LSL 623 on the dealer portal |                            | A132V1006J         | 1          |
| 03k        | Headliner Kit dark grey_ A, B pillar trims & sunvisors  | Use headliner trim order form LSL 623 on the dealer portal |                            | A132V1007J         | 1          |



**Function Code 12.04 Roof Panel, Seals & Fixings**

| <u>Dep</u> | <u>Part Description</u>                                 | <u>Remarks</u>  | <u>Option</u> | <u>Part Number</u> | <u>Qty</u> |
|------------|---|---|---------------|--------------------|------------|
| 03l        | Headliner Kit light grey_ A, B pillar trims & sunvisors | Use headliner trim order form<br>LSL 623 on the dealer portal | Homelink      | A132V1008J         | 1          |
| 03m        | Headliner Kit dark grey_ A, Bpillar trims & sunvisors   | Use headliner trim order form<br>LSL 623 on the dealer portal | Homelink      | A132V1009J         | 1          |
| 04         | Stud M8 x 15, big head                                  | Bonded to roof  |               | A132W8001F         | 2          |
| 05         | Plastic Fastener, headliner rear fixing                 |   |               | A100W6391F         | 2          |
| 06         | Screw M5 x 12, hex. flg. hd., panel fixing              |   |               | A132W5002F         | 4          |
| 07         | Keyslot Stud, M5, panel fixing frt outer                |   |               | A132U0255F         | 2          |
| 08         | Spirenut M5, panel fixing                               |   |               | B10W6372F          | 4          |
| 09         | Washer M6 x 15mm x 1.5mm S/S,panel fixing               |   |               | A082W4133F         | 4          |
| 10         | Washer M5 x 19mm x 1.4mm S/S,panel fixing               |   |               | A082W4107F         | 4          |
| 11         | Washer 3/6 x 1/2 x 16 S/S,panel fixing frt outer        |   |               | A075W4000Z         | 2          |
| 12         | Nut M5 hex flg, panel fixing frt outer                  |   |               | A132W3000F         | 2          |
| 13         | Screw M6 x 16 btn, cap S/S,panel fixing centre          |   |               | A082W7105F         | 1          |
| 14         | Washer M6 x 25 x 1.4mm S/S,panel fixing centre          |   |               | A082W4131F         | 1          |
| 15         | Spirenut M5, panel fixing centre                        |   |               | A117W3181F         | 1          |
| 16         | Foam Strip, 700mm                                       |   | Gulf states   | A132U6063V         | 1          |

\*If unavailable order headliner  
trim kit (trim spec change)

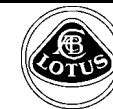


**EVORA**  
12.05

*Updated 2nd July 2018*

# Service Parts List

# EVORA



## Function Code 12.05 Decals, Badges & Protective Film

| <u>Dep</u> | <u>Part Description</u>                        | <u>Remarks</u>  | <u>Option</u>          | <u>Part Number</u> | <u>Qty</u> |
|------------|--|-----------------|------------------------|--------------------|------------|
| 01         | Nose Badge, Lotus logo                         |                 | Up to Vin BH_11881     | A117U0170F         | 1          |
| 01a        | Nose Badge, Lotus logo                         |                 | From Vin BH_11882      | B117U0170F         | 1          |
| 02         | Badge, L O T U S, 'raised chrome' letters      | On rear transom |                        | A124B0326F         | 1          |
| 02a        | Badge, L O T U S, 'raised gloss black' letters | On rear transom |                        | A132U0988S         | 1          |
| 02b        | Badge, L O T U S, 'raised chrome' letters      | On rear transom | From approx April 2010 | B124B0326F         | 1          |
| 02c        | Badge, L O T U S, 'raised gloss black' letters | On rear transom | From approx April 2010 | B132U0988S         | 1          |
| 03         | Badge, 'Evora', rear transom                   | Chrome          |                        | A132U0337F         | 1          |
| 03a        | Badge, 'Evora', rear transom                   | Gloss black     |                        | A132U0989S         | 1          |
| 04         | Badge, 'Evora', cabin fascia                   |                 |                        | A132U0382F         | 1          |
| 04a        | Starlock Fastener, badge retention             | Not illustrated |                        | A124W6797F         | 2          |
| 05         | Decal, 'LOTUS PERFORMANCE'                     | On engine cover |                        | B132U0435F         | 1          |
| 06         | Decal, blackout, 'B' post                      |                 |                        | A132U0344F         | 2          |
| 07         | Film, protective, 'A' panel, LH                |                 |                        | A132X4001H         | 1          |
| 07a        | Film, protective, 'A' panel, RH                |                 |                        | A132X4002H         | 1          |
| 08         | Film, protective, door lower, LH               |                 |                        | A132X4005H         | 1          |
| 08a        | Film, protective, door lower, RH               |                 |                        | A132X4006H         | 1          |
| 09         | Film, protective, bodyside sill, LH            |                 |                        | A132X4009H         | 1          |
| 09a        | Film, protective, bodyside sill, RH            |                 |                        | A132X4010H         | 1          |

EVORA

**Function Code 12.05 Decals, Badges & Protective Film**

| <u>Dep</u> | <u>Part Description</u>                 | <u>Remarks</u>           | <u>Option</u> | <u>Part Number</u> | <u>Qty</u> |
|------------|---|--------------------------|---------------|--------------------|------------|
| 10         | Film, protective, bodyside, LH          |                          |               | A132X4003H         | 1          |
| 10a        | Film, protective, bodyside, RH          |                          |               | A132X4004H         | 1          |
| 11         | Film, protective, rear bumper, LH       |                          |               | A132X4007H         | 1          |
| 11a        | Film, protective, rear bumper, RH       |                          |               | A132X4008H         | 1          |
| 12         | Film, protective, rear clamshell gutter | See also 10.01           |               | A132X0023F         | 1          |
| 13         | Film, protective, front bumper          |                          | option        | B132X0021F         | 1          |
| 14         | Film, protective, boot rim              |                          | option        | B132X0018F         | 1          |
| 15         | Film, protective, front clam centre     |                          | option        | B132X0019F         | 1          |
| 16         | Film, protective, front access panel    |                          | option        | B132X0020F         | 1          |
| 17         | Film, protective, front clam LH         |                          | option        | B132X4019F         | 1          |
| 17a        | Film, protective, front clam RH         |                          | option        | B132X4020F         | 1          |
| 18         | Film, protective, front clam rear LH    |                          | option        | B132X4017F         | 1          |
| 18a        | Film, protective, front clam rear RH    |                          | option        | B132X4018F         | 1          |
| 19         | Film, protective, mirror LH             |                          | option        | B132X4015F         | 1          |
| 19a        | Film, protective, mirror RH             |                          | option        | B132X4016F         | 1          |
| 20         | Film, protective, door handle LH        |                          | option        | B132X4013F         | 1          |
| 20a        | Film, protective, door handle RH        |                          | option        | B132X4014F         | 1          |
| 21         | Film Kit, paint protection              | Includes items 7 to 12   |               | A132X0016F         | 1          |
| 21a        | Film Kit, paint protection              | Includes items 13 to 20a |               | A132X0017F         | 1          |
| 22         | Badge 'S'                               | Chrome                   | Evora S       | A132U0608F         | 1          |
| 22a        | Badge 'S'                               | Gloss black              | Evora S       | A132U0990S         | 1          |

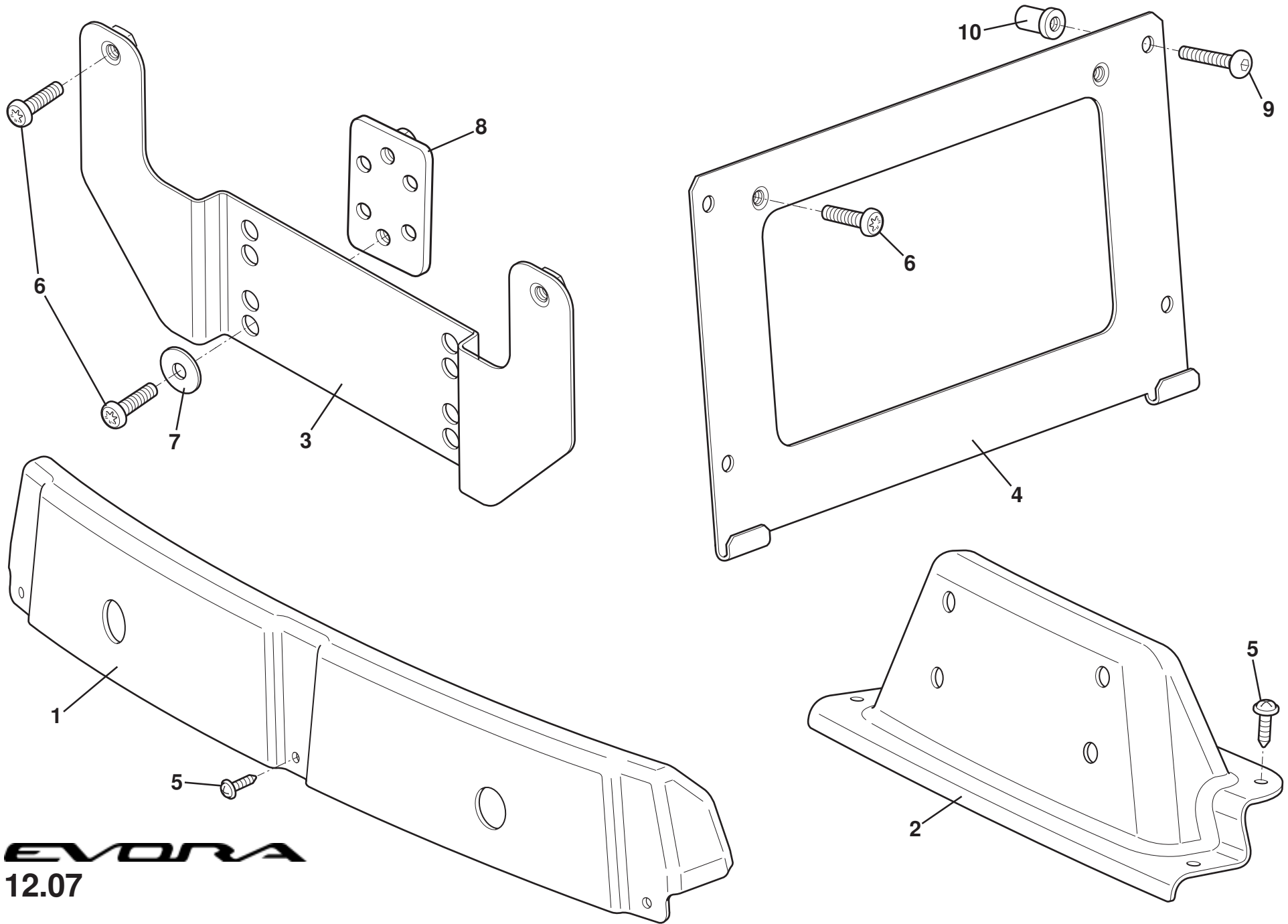


---

**Function Code 12.05 Decals, Badges & Protective Film**

| <u>Dep</u> | <u>Part Description</u>        | <u>Remarks</u> | <u>Option</u> | <u>Part Number</u> | <u>Qty</u> |
|------------|--------------------------------|----------------|---------------|--------------------|------------|
| 23         | Blanking Decal, tailgate inner |                |               | A132U0570F         | 1          |
| 24         | Badge, union jack, enamel      |                |               | A132U0995S         | 2          |
| 25         | Decal Lotus Roundal Key fob    |                |               | LOTDS05288         | 1          |





**EVORA**  
12.07

2010/01

# Service Parts List

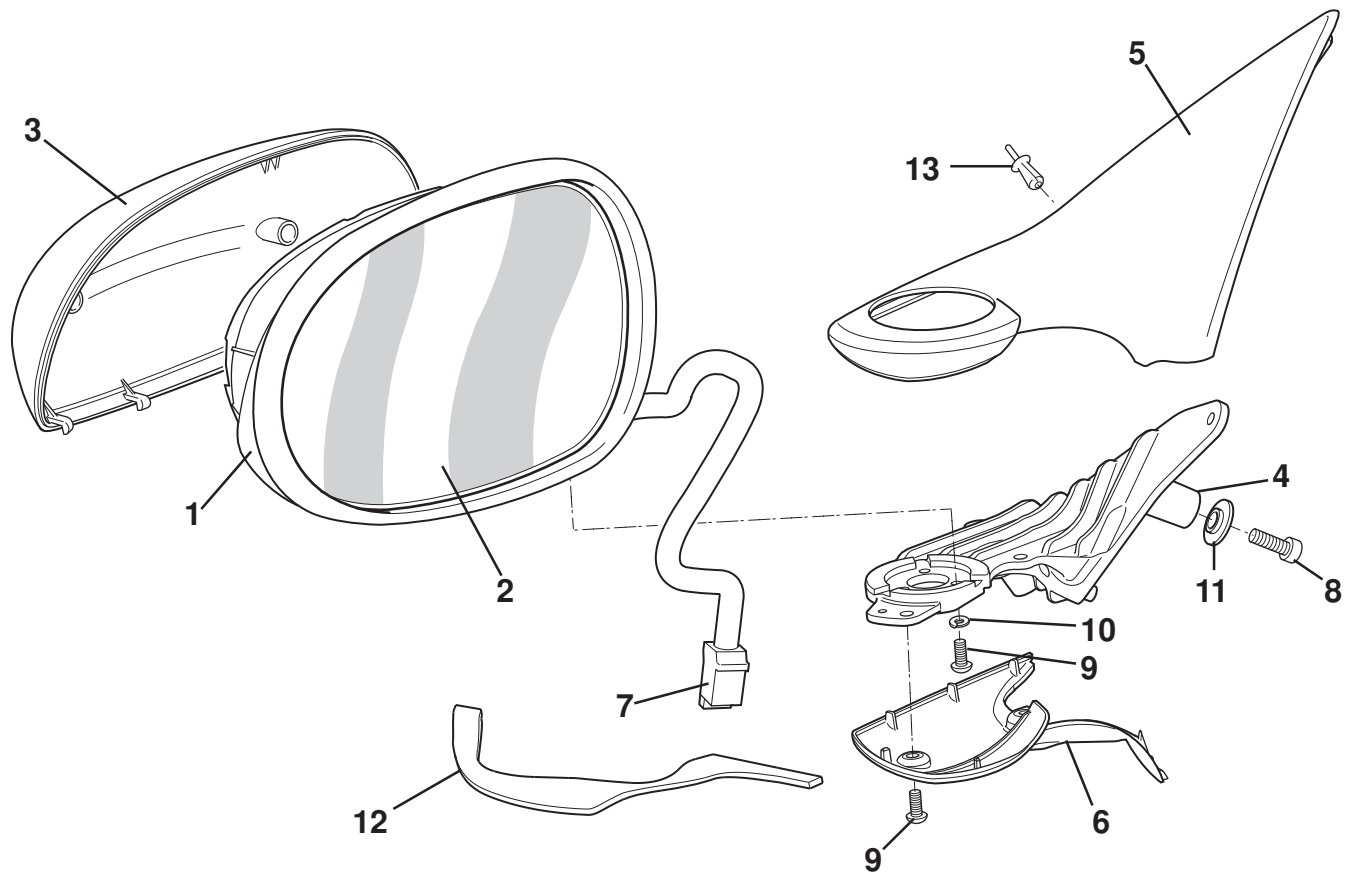
# EVORA



## Function Code 12.07 Licence Plate Mountings

| <u>Dep</u> | <u>Part Description</u>                                 | <u>Remarks</u> | <u>Option</u>     | <u>Part Number</u> | <u>Qty</u> |
|------------|---|----------------|-------------------|--------------------|------------|
| 01         | Plinth, license plate front, EU                         |                | Euro              | C132U0056F         | 1          |
| 02         | Plinth, license plate front, federal                    |                | USA/Canada/Japan  | A132U0057K         | 1          |
| 03         | Carrier Plate, front, license plate Japan               |                | Japan             | A132U0467F         | 1          |
| 03a        | Carrier Plate, front, license plate, federal            |                | USA/Canada        | A121U0170F         | 1          |
| 04         | Carrier Plate, rear, license plate, Japan               |                | Japan             | A132U0480F         | 1          |
| 05         | Screw, no. 6 x 3/8", self tapping                       |                | Common            | A075W5019F         | 5          |
| 06         | Screw, M6 x 16, pan hd. torx S/S                        |                | Japan, USA/Canada | A117W2213F         | 8          |
| 07         | Washer, M6 x 15,x 1.5, S/S black                        |                | Japan, USA/Canada | A082W4133F         | 4          |
| 08         | Nutplate, M6, carrier to plinth                         |                | Japan, USA/Canada | A121B0119F         | 2          |
| 09         | Screw, M5 x 20, button hd., black, plate to bumper rear |                | Japan             | A111W7152F         | 4          |
| 10         | Rawlnut, M5, rubber, plate to bumper rear               |                | Japan             | A075W6074F         | 4          |

EVORA



**EVORA**  
12.09

*Updated 3rd March 2014*

# Service Parts List

# EVORA



## Function Code 12.09 Exterior Driving Mirrors

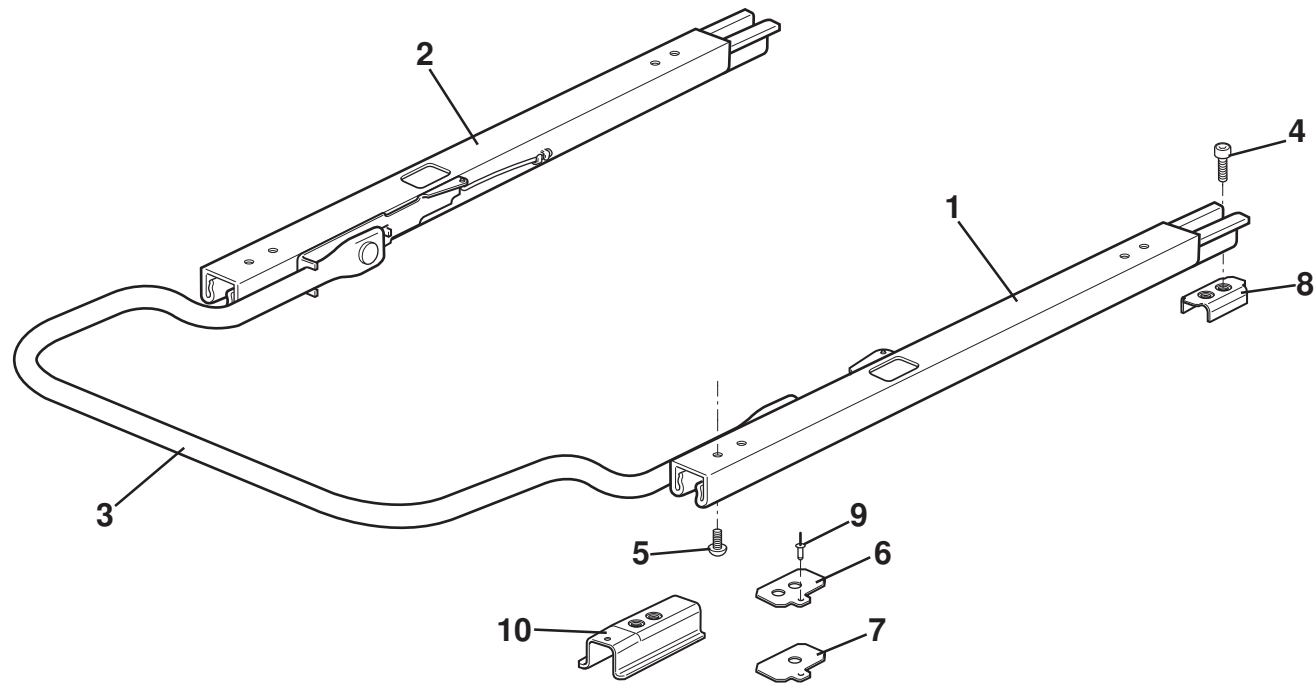
| <u>Dep</u> | <u>Part Description</u>                              | <u>Remarks</u>                       | <u>Option</u>                    | <u>Part Number</u> | <u>Qty</u> |
|------------|--|--------------------------------------|----------------------------------|--------------------|------------|
| 01         | Door Mirror, powerfold, LH                           | Without glass                        |                                  | A132U4333K         | 1          |
| 01a        | Door Mirror, powerfold, RH                           | Without glass                        |                                  | A132U4334K         | 1          |
| 02         | Glass, flat  |                                      | USA/Canada and Gulf States<br>LH | A132U6060F         | 1          |
| 02a        | Glass, convex  | Except USA/Canada and Gulf<br>States | Common RH & LH,                  | A132U6059F         | 2          |
| 02b        | Glass, convex with warning graphic FED               |                                      | USA/Canada RH                    | A132U6061F         | 1          |
| 02c        | Glass, convex with warning graphic, in arabic        |                                      | Gulf States RH                   | A132U6086F         | 1          |
| 03         | Cover, mirror housing, LH                            |                                      | Primed                           | A132U6057F         | 1          |
| 03a        | Cover, mirror housing, RH                            |                                      | Primed                           | A132U6058F         | 1          |
| 04         | Mirror Plinth, cast, LH                              |                                      |                                  | B132U4315F         | 1          |
| 04a        | Mirror Plinth, cast, RH                              |                                      |                                  | B132U4316F         | 1          |
| 05         | Cover, mirror plinth upper, LH                       |                                      |                                  | B132U4317F         | 1          |
| 05a        | Cover, mirror plinth upper, RH                       |                                      |                                  | B132U4318F         | 1          |
| 06         | Cover, mirror plinth, lower, LH                      |                                      |                                  | C132U4319F         | 1          |
| 06a        | Cover, mirror plinth, lower, RH                      |                                      |                                  | C132U4320F         | 1          |
| 07         | Connector, 8 way, mirror harness                     |                                      |                                  | A132M6088F         | 2          |
| 08         | Screw, M8 x 16, cap skt. hd., mirror foot to door    |                                      |                                  | A111W7125F         | 4          |
| 09         | Screw, M4 x 10, pan pozi. black, lower cover to foot |                                      |                                  | B075W5079F         | 10         |

EVORA

---

**Function Code 12.09 Exterior Driving Mirrors**

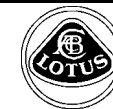
| <u>Dep</u> | <u>Part Description</u> | <u>Remarks</u> | <u>Option</u> | <u>Part Number</u> | <u>Qty</u> |
|------------|-------------------------|----------------|---------------|--------------------|------------|
| 10         | Washer Spring 4mm       |                |               | A124W4198F         | 6          |
| 11         | Collar, mirror mounting |                |               | A132U0270F         | 4          |
| 12         | Seal, mirror foot LH    |                |               | A132U4321F         | 1          |
| 12a        | Seal, mirror foot RH    |                |               | A132U4322F         | 1          |
| 13         | Scrivet                 |                |               | A079W6195F         | 24         |



**EVORA**  
13.01

*Updated 14th September 2010*

# Service Parts List



## Function Code 13.01 Seat Runners

| <u>Dep</u> | <u>Part Description</u>                          | <u>Remarks</u>    | <u>Option</u>                               | <u>Part Number</u> | <u>Qty</u> |
|------------|--|-------------------|---|--------------------|------------|
| 01         | Seat Runner, LH                                  | Any LH or RH seat | Non USA/GCC up to vin<br>BH_11177           | <b>A132V6028F</b>  | 2          |
| 01a        | Seat Runner, Outer                               | LH seat only      | All USA, & all markets from<br>vin BH_11178 | <b>A132V4255F</b>  | 1          |
| 01b        | Seat Runner, Inner                               | RH seat only      | All USA, & all markets from<br>vin BH_11178 | <b>A132V4360F</b>  | 1          |
| 02         | Seat Runner, RH                                  | Any LH or RH seat | Non USA/GCC up to vin<br>BH_11177           | <b>A132V6029F</b>  | 2          |
| 02a        | Seat Runner, Inner                               | LH seat only      | All USA, & all markets from<br>vin BH_11178 | <b>A132V4359F</b>  | 1          |
| 02b        | Seat Runner, Outer                               | RH seat only      | All USA, & all markets from<br>vin BH_11178 | <b>A132V4256F</b>  | 1          |
| 03         | Release Handle, seat runners                     | Any LH or RH seat | Non USA/GCC up to vin<br>BH_11177           | <b>A132V4163F</b>  | 2          |
| 03a        | Release Handle, seat runners                     |                   | All USA, & all markets from<br>vin BH_11178 | <b>A132V0251F</b>  | 2          |
| 04         | Screw, M8 x 25, cap hd. black, runner to chassis |                   |   | <b>A111W7132F</b>  | 4          |
| 05         | Screw, M8 x 20, button hd. black, runner to seat |                   |   | <b>A075W7022F</b>  | 4          |
| 06         | Spacer, seat front mounting                      | 2 off, USA driver | Euro  | <b>A132A0360F</b>  | 4          |
| 07         | Spacer, seat front mounting, federal             |                   | USA, passenger only                         | <b>A132A0411F</b>  | 2          |
| 08         | Nutplate, seat rear mounting                     |                   |   | <b>A132A0290F</b>  | 4          |
| 09         | Pop Rivet, spacer retaining                      |                   |   | <b>A111W6603F</b>  | 4          |



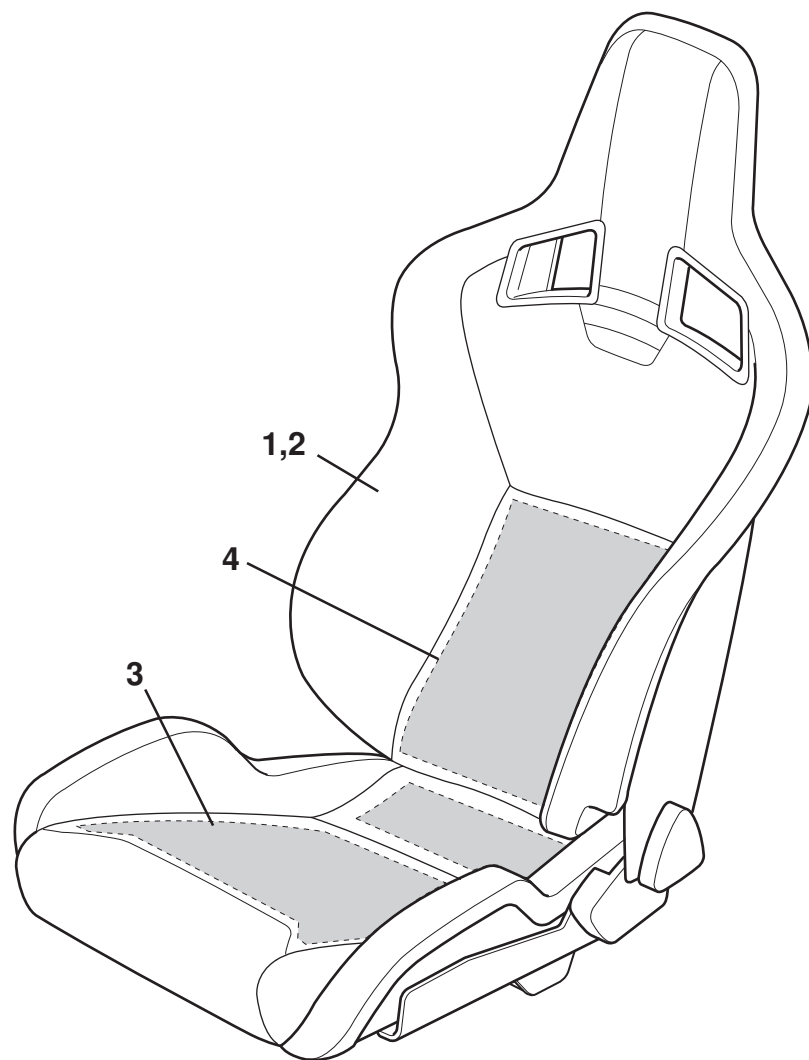
---

**Function Code 13.01 Seat Runners**

| <u>Dep</u> | <u>Part Description</u>       | <u>Remarks</u> | <u>Option</u> | <u>Part Number</u> | <u>Qty</u> |
|------------|-------------------------------|----------------|---------------|--------------------|------------|
| 10         | Nutplate, seat front mounting |                |               | B132A0349F         | 4          |

---





**EVORA**

**13.02**

*Updated 1st October 2013*

# Service Parts List

# EVORA



## Function Code 13.02 Seat Assemblies, front

| <u>Dep</u> | <u>Part Description</u>                   | <u>Remarks</u>        | <u>Option</u>                           | <u>Part Number</u> | <u>Qty</u> |
|------------|---|-----------------------|---|--------------------|------------|
| 01         | Seat, front, black leather, RH            |                       |   | A132V4186F         | 1          |
| 01a        | Seat, front, black leather, RH            | Complete with runners | Federal                                 | A132V4270F         | 1          |
| 01b        | Seat, front, black leather, RH, heated    | Complete with runners | Option all markets from vin<br>BH_11178 | A132V4390F         | 1          |
| 01c        | Seat, front, oyster leather, RH           |                       |   | A132V4188F         | 1          |
| 01d        | Seat, front, oyster leather, RH           | Complete with runners | Federal                                 | A132V4274F         | 1          |
| 01e        | Seat, front, oyster leather, RH, heated   | Complete with runners | Option all markets from vin<br>BH_11178 | A132V4394F         | 1          |
| 01f        | Seat, front, graphite leather, RH         |                       |   | A132V4192F         | 1          |
| 01g        | Seat, front, graphite leather, RH         | Complete with runners | Federal                                 | A132V4276F         | 1          |
| 01h        | Seat, front, graphite leather, RH, heated | Complete with runners | Option all markets from vin<br>BH_11178 | A132V4396F         | 1          |
| 01i        | Seat, front, paprika leather, RH          |                       |   | A132V4194F         | 1          |
| 01j        | Seat, front, paprika leather, RH          | Complete with runners | Federal                                 | A132V4272F         | 1          |
| 01k        | Seat, front, paprika leather, RH, heated  | Complete with runners | Option all markets from vin<br>BH_11178 | A132V4392F         | 1          |
| 01l        | Seat, front, cocobolo leather, RH         |                       |   | A132V4214F         | 1          |
| 01m        | Seat, front, cocobolo leather, RH         | Complete with runners | Federal                                 | A132V4278F         | 1          |
| 01n        | Seat, front, cocobolo leather, RH, heated | Complete with runners | Option all markets from vin<br>BH_11178 | A132V4398F         | 1          |

EVORA

Function Code: 13.02, Page: 1

Updated 1st October 2013

**Function Code 13.02 Seat Assemblies, front**

| <u>Dep</u> | <u>Part Description</u>                        | <u>Remarks</u>                                     | <u>Option</u>                           | <u>Part Number</u> | <u>Qty</u> |
|------------|--|--|---|--------------------|------------|
| 01o        | Seat, front, suedetex, RH, heated              | Complete with runners                              | Option all markets from vin<br>BH_11178 | A132V4424F         | 1          |
| 01p        | Seat, front, chestnut leather, RH              |  |   | A132V4190F         | 1          |
| 01q        | Seat, front, black leather, RH                 | Complete with runners                              | MY12                                    | A132V4486F         | 1          |
| 01r        | Seat, front, black leather, RH, heated         | Complete with runners                              | MY12                                    | A132V4488F         | 1          |
| 01s        | Seat, front, ivory white leather, RH, heated   | Complete with runners                              | MY12                                    | A132V4490F         | 1          |
| 01t        | Seat, front, venom red leather, RH, heated     | Complete with runners                              | MY12                                    | A132V4492F         | 1          |
| 01u        | Seat, front, ash grey leather, RH, heated      | Complete with runners                              | MY12                                    | A132V4494F         | 1          |
| 01v        | Seat, front, cognac brown leather, RH, heated  | Complete with runners                              | MY12                                    | A132V4496F         | 1          |
| 01w        | Seat, front, cocoa brown leather, RH, heated   | Complete with runners                              | MY12                                    | A132V4498F         | 1          |
| 01x        | Seat, front, imperial blue leather, RH, heated | Complete with runners                              | MY12                                    | A132V4500F         | 1          |
| 01y        | Seat, front, suedetex slate grey, RH, heated   | Complete with runners                              | MY12                                    | A132V4502F         | 1          |
| 01az       | Seat, front, black leather, RH, heated,        | Red stitching & piping, Complete<br>with runners   | MY12                                    | A132V4504F         | 1          |
| 01bz       | Seat, front, venom red leather, RH, heated     | Black stitching & piping,<br>Complete with runners | MY12                                    | A132V4506F         | 1          |
| 01cz       | Seat, front, imperial blue leather, RH, heated | Black stitching & piping,<br>Complete with runners | MY12                                    | A132V4508F         | 1          |
| 01dz       | Seat, front, cocoa brown leather, RH, heated   | Black stitching & piping,<br>Complete with runners | MY12                                    | A132V4510F         | 1          |
| 02         | Seat, front, black leather, LH                 |  |   | A132V4185F         | 1          |
| 02a        | Seat, front, black leather, LH                 | Complete with runners                              | Federal                                 | A132V4269F         | 1          |



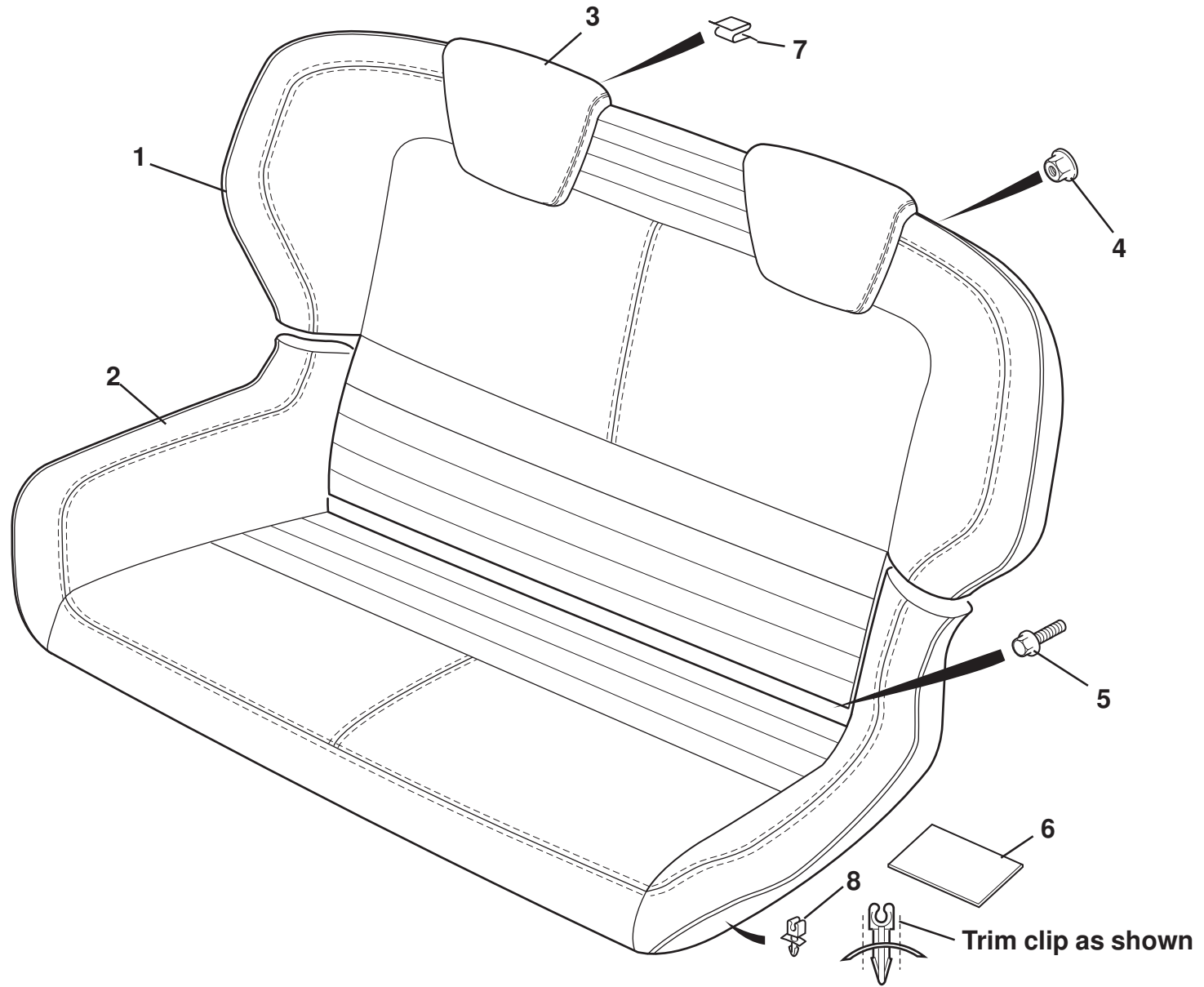
**Function Code 13.02 Seat Assemblies, front**

| <u>Dep</u> | <u>Part Description</u>                   | <u>Remarks</u>        | <u>Option</u>                           | <u>Part Number</u> | <u>Qty</u> |
|------------|---|-----------------------|---|--------------------|------------|
| 02b        | Seat, front, black leather, LH, heated    | Complete with runners | Option all markets from vin<br>BH_11178 | <b>A132V4389F</b>  | 1          |
| 02c        | Seat, front, oyster leather, LH           |                       |   | <b>A132V4187F</b>  | 1          |
| 02d        | Seat, front, oyster leather, LH           | Complete with runners | Federal                                 | <b>A132V4273F</b>  | 1          |
| 02e        | Seat, front, oyster leather, LH, heated   | Complete with runners | Option all markets from vin<br>BH_11178 | <b>A132V4393F</b>  | 1          |
| 02f        | Seat, front, graphite leather, LH         |                       |   | <b>A132V4191F</b>  | 1          |
| 02g        | Seat, front, graphite leather, LH         | Complete with runners | Federal                                 | <b>A132V4275F</b>  | 1          |
| 02h        | Seat, front, graphite leather, LH, heated | Complete with runners | Option all markets from vin<br>BH_11178 | <b>A132V4395F</b>  | 1          |
| 02i        | Seat, front, paprika leather, LH          |                       |   | <b>A132V4193F</b>  | 1          |
| 02j        | Seat, front, paprika leather, LH, heated  | Complete with runners | Option all markets from vin<br>BH_11178 | <b>A132V4391F</b>  | 1          |
| 02k        | Seat, front, paprika leather, LH          | Complete with runners | Federal                                 | <b>A132V4271F</b>  | 1          |
| 02l        | Seat, front, cocobolo leather, LH         |                       |   | <b>A132V4213F</b>  | 1          |
| 02m        | Seat, front, cocobolo leather, LH         | Complete with runners | Federal                                 | <b>A132V4277F</b>  | 1          |
| 02n        | Seat, front, cocobolo leather, LH, heated | Complete with runners | Option all markets from vin<br>BH_11178 | <b>A132V4397F</b>  | 1          |
| 02o        | Seat, front, suedetex, LH, heated         | Complete with runners | Option all markets from vin<br>BH_11178 | <b>A132V4423F</b>  | 1          |
| 02p        | Seat, front, chestnut leather, LH         |                       |   | <b>A132V4189F</b>  | 1          |
| 02q        | Seat, front, black leather, LH            | Complete with runners | MY12                                    | <b>A132V4485F</b>  | 1          |
| 02r        | Seat, front, black leather, LH, heated    | Complete with runners | MY12                                    | <b>A132V4487F</b>  | 1          |



**Function Code 13.02 Seat Assemblies, front**

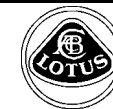
| <u>Dep</u> | <u>Part Description</u>                        | <u>Remarks</u>                                  | <u>Option</u> | <u>Part Number</u> | <u>Qty</u> |
|------------|--|---|---------------|--------------------|------------|
| 02s        | Seat, front, ivory white leather, LH, heated   | Complete with runners                           | MY12          | A132V4489F         | 1          |
| 02t        | Seat, front, venom red leather, LH, heated     | Complete with runners                           | MY12          | A132V4491F         | 1          |
| 02u        | Seat, front, ash grey leather, LH, heated      | Complete with runners                           | MY12          | A132V4493F         | 1          |
| 02v        | Seat, front, cognac brown leather, LH, heated  | Complete with runners                           | MY12          | A132V4495F         | 1          |
| 02w        | Seat, front, cocoa brown leather, LH, heated   | Complete with runners                           | MY12          | A132V4497F         | 1          |
| 02x        | Seat, front, imperial blue leather, LH, heated | Complete with runners                           | MY12          | A132V4499F         | 1          |
| 02y        | Seat, front, suedetex slate grey, LH, heated   | Complete with runners                           | MY12          | A132V4501F         | 1          |
| 02az       | Seat, front, black leather, LH, heated,        | Red stitching & piping, Complete with runners   | MY12          | A132V4503F         | 1          |
| 02bz       | Seat, front, venom red leather, LH, heated     | Black stitching & piping, Complete with runners | MY12          | A132V4505F         | 1          |
| 02cz       | Seat, front, imperial blue leather, LH, heated | Black stitching & piping, Complete with runners | MY12          | A132V4507F         | 1          |
| 02dz       | Seat, front, cocoa brown leather, LH, heated   | Black stitching & piping, Complete with runners | MY12          | A132V4509F         | 1          |
| 03         | Heated Pad, seat cushion                       |   |               | A132V6165S         | 2          |
| 04         | Heated Pad, seat backrest                      |   |               | A132V6166S         | 2          |



**EVORA**  
13.19

*Updated 3rd February 2014*

# Service Parts List



## Function Code 13.19 Seat Assembly, rear

| <u>Dep</u> | <u>Part Description</u>                            | <u>Remarks</u>     | <u>Option</u> | <u>Part Number</u> | <u>Qty</u> |
|------------|--|--------------------|---------------|--------------------|------------|
| 01         | Seat Backrest Assembly, rear, cloth*               |                    |               | A132V0923S         | 1          |
| 01a        | Seat Backrest Assembly, rear, leather + trim band* |                    |               | A132V0276S         | 1          |
| 01g        | Seat Backrest Assembly, rear, leather*             |                    | MY12          | A132V0606S         | 1          |
| 01m        | Seat Backrest Assembly, rear, suedetex*            |                    | MY12          | A132V0612S         | 1          |
| 01n        | Seat Backrest Assembly, rear, leather*             | Stitching & piping | MY12          | A132V0613S         | 1          |
| 02         | Seat Cushion Assembly, rear cloth*                 |                    |               | A132V0924S         | 1          |
| 02a        | Seat Cushion Assembly, rear, leather*              |                    | Black         | A132V0281S         | 1          |
| 02b        | Seat Cushion Assembly, rear, leather*              |                    | MY12          | A132V0617S         | 1          |
| 02h        | Seat Cushion Assembly, rear, suedetex*             |                    | MY12          | A132V0623S         | 1          |
| 02i        | Seat Cushion Assembly, rear, leather*              | Stitching & piping | MY12          | A132V0624S         | 1          |
| 03         | Headrest, rear seat, cloth*                        |                    |               | A132V0998S         | 2          |
| 03a        | Headrest, rear seat, leather*                      |                    | Black         | A132V0282S         | 2          |
| 03b        | Headrest, rear seat, leather*                      |                    | MY12          | A132V0628S         | 2          |
| 03h        | Headrest, rear seat, suedetex*                     |                    | MY12          | A132V0634S         | 2          |
| 03i        | Headrest, rear seat, leather*                      | Stitching & piping | MY12          | A132V0635S         | 2          |
| 04         | Nut, M5, hex flg, backrest assembly upper          |                    |               | A132W3000F         | 2          |
| 05         | Screw, M5x16, hex hd flg, backrest assembly lower  |                    |               | A132W5016F         | 2          |
| 06         | Velcro self adhesive 100mm x 170mm, seat to floor  |                    |               | A124V0058V         | 4          |



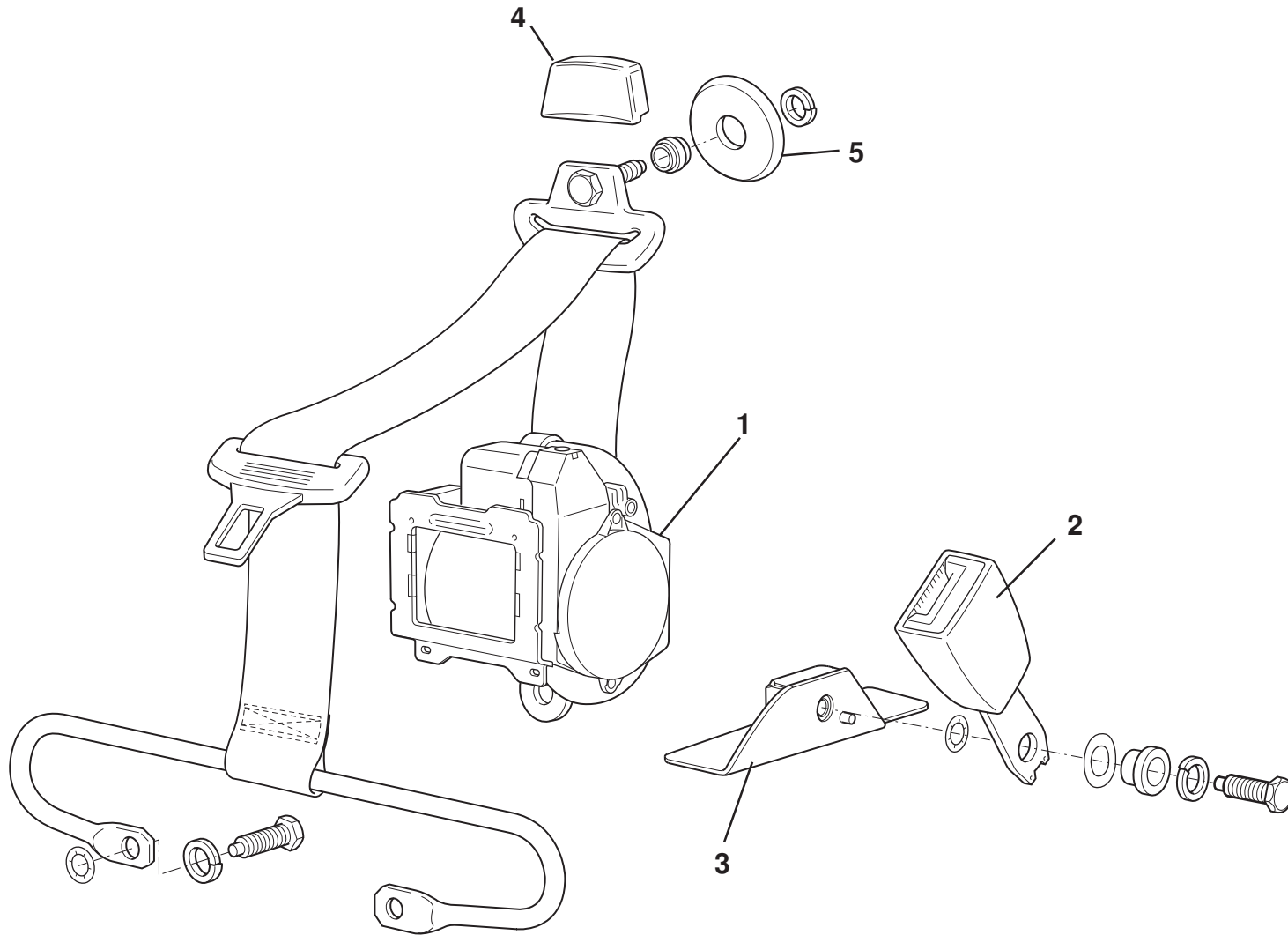
---

**Function Code 13.19 Seat Assembly, rear**

| <u>Dep</u> | <u>Part Description</u> | <u>Remarks</u>              | <u>Option</u> | <u>Part Number</u> | <u>Qty</u> |
|------------|-------------------------|-----------------------------|---------------|--------------------|------------|
| 07         | 'S' Clip                |                             |               | A132W6051F         | 8          |
| 08         | Clip, seat frame        | Modify clip as shown        |               | A116W6700F         | 4          |
|            |                         | *Use Trim Order Form LSL654 |               |                    |            |

---





**EVORA**

**13.27**

*Updated 3rd May 2016*

# Service Parts List

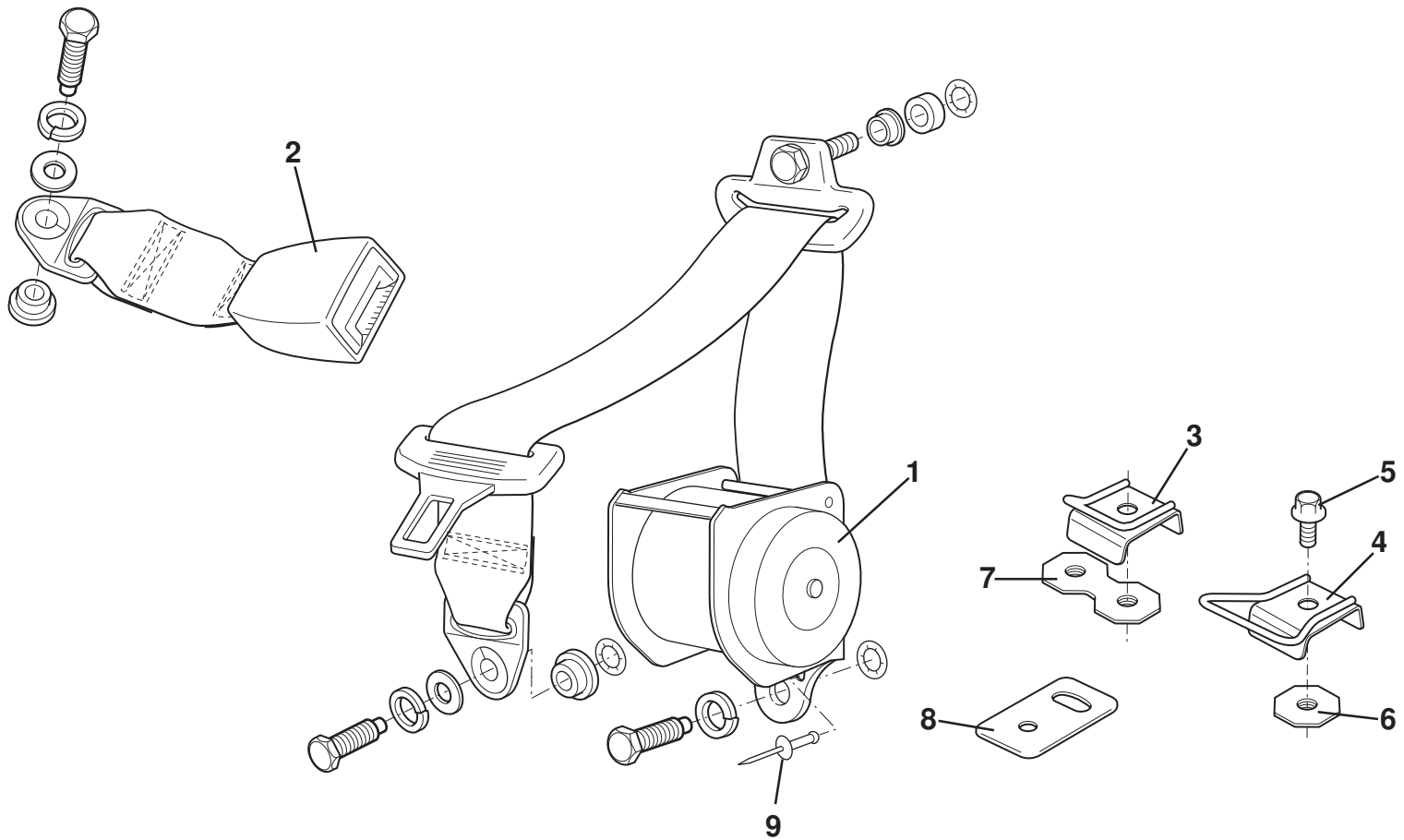
# EVORA



## Function Code 13.27 Seat Belts, front

| <u>Dep</u> | <u>Part Description</u>                  | <u>Remarks</u>               | <u>Option</u>                      | <u>Part Number</u> | <u>Qty</u> |
|------------|--|------------------------------|------------------------------------|--------------------|------------|
| 01         | Seat Belt, with pre-tensioner, front, RH |                              | Non USA up to vin BH_11297         | <b>C132U6010F</b>  | 1          |
| 01a        | Seat Belt, with pre-tensioner, front, LH |                              | Non USA up to vin BH_11297         | <b>C132U6011F</b>  | 1          |
| 01b        | Seat Belt, with pre-tensioner, front, RH |                              | USA, all markets from vin BH_11298 | <b>A132V4236F</b>  | 1          |
| 01c        | Seat Belt, with pre-tensioner, front, LH |                              | USA, all markets from vin BH_11298 | <b>A132V4237F</b>  | 1          |
| 02         | Buckle, seat belt, switched, driver      |                              |                                    | <b>B132U6012F</b>  | 1          |
| 02a        | Buckle, seat belt, un-switched, pasenger |                              |                                    | <b>B132U6013F</b>  | 1          |
| 03         | Bracket Seat Belt Buckle RH              | Non heated non federal seats |                                    | <b>B132U4374F</b>  | 1          |
| 03a        | Bracket Seat Belt Buckle LH              | Non heated non federal seats |                                    | <b>B132U4373F</b>  | 1          |
| 4          | D Loop Cover                             |                              |                                    | <b>A132U0969S</b>  | 2          |
| 5          | D Loop Spacer                            |                              |                                    | <b>A132V0223F</b>  | 2          |

EVORA



**EVORA**

**13.29**

*Updated 3rd May 2016*

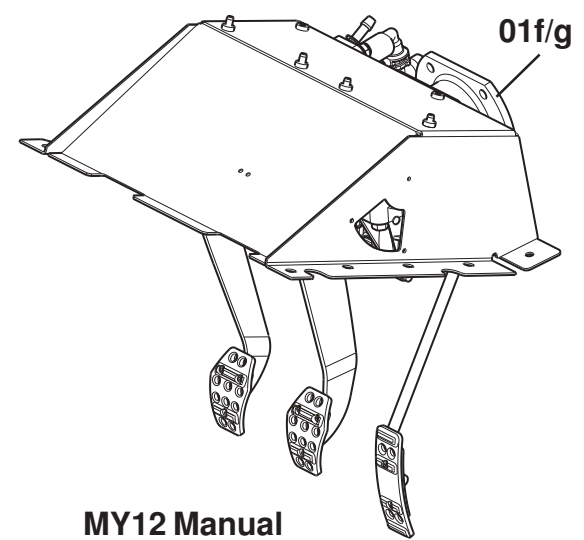
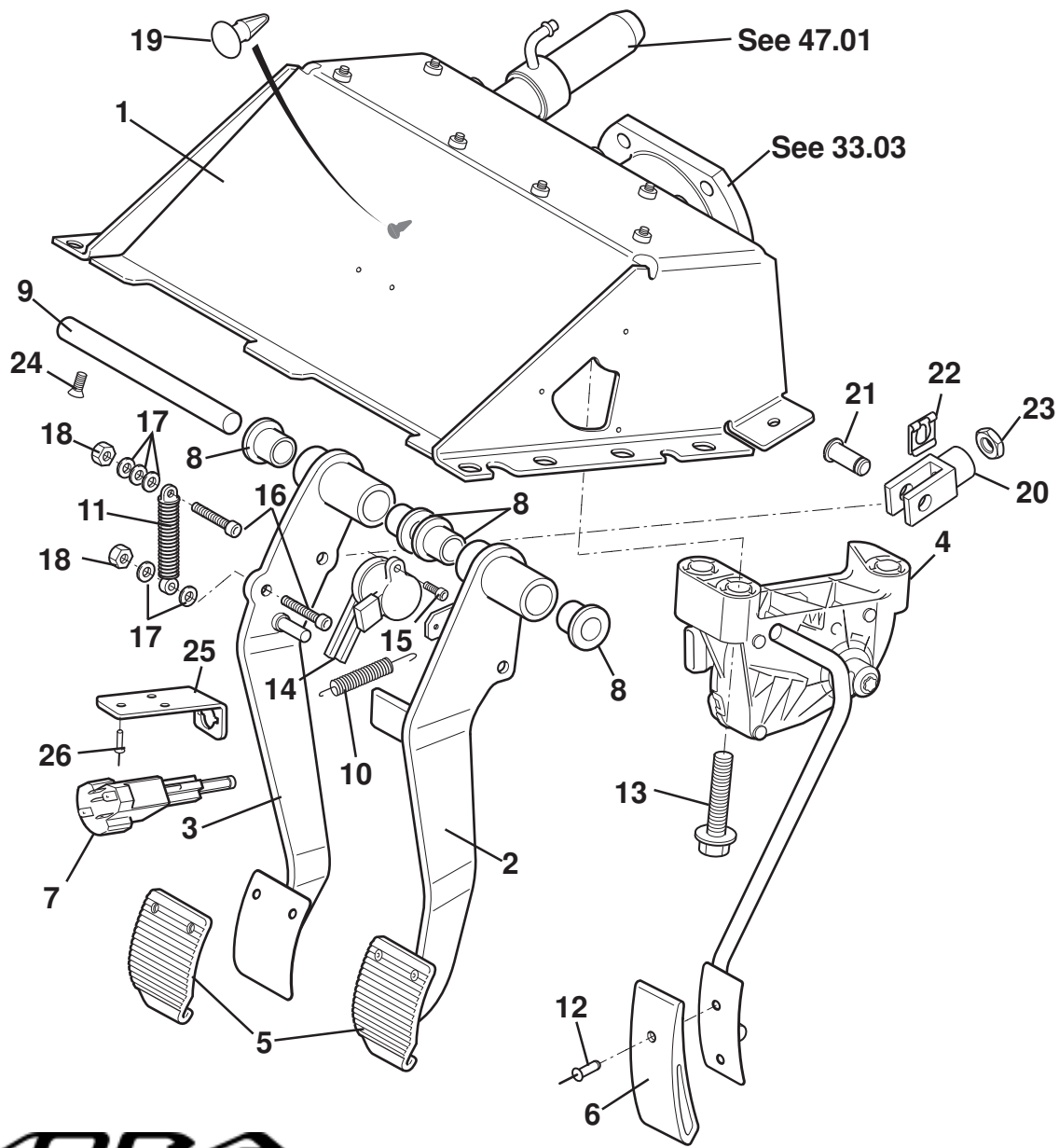
# Service Parts List



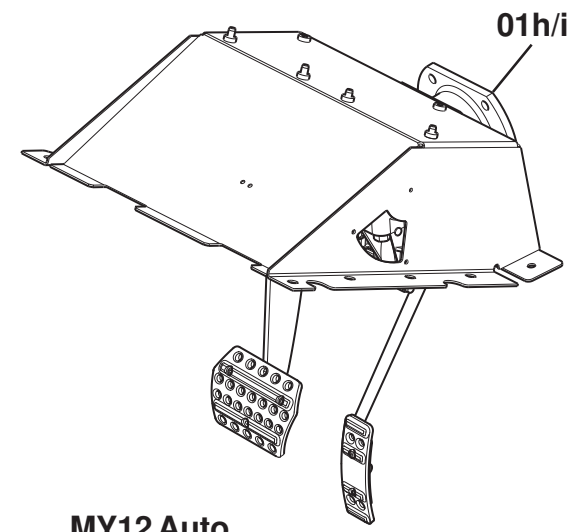
## Function Code 13.29 Seat Belts, rear

| <u>Dep</u> | <u>Part Description</u>                             | <u>Remarks</u>         | <u>Option</u>                     | <u>Part Number</u> | <u>Qty</u> |
|------------|---|------------------------|-----------------------------------|--------------------|------------|
| 01         | Seat Belt, retractor, rear                          |                        | Non USA up to vin BH_11297        | <b>B132V0149F</b>  | 2          |
| 01a        | Seat Belt, retractor, rear, federal                 |                        | USA all markets from vin BH_11298 | <b>A132V0239F</b>  | 2          |
| 02         | Buckle, seat belt rear                              |                        |                                   | <b>A132V0150F</b>  | 2          |
| 03         | Bracket, ISOFIX latching                            |                        |                                   | <b>A132U0438F</b>  | 4          |
| 04         | Bracket, ISOFIX tether routing                      |                        |                                   | <b>A132U0511F</b>  | 2          |
| 05         | Screw, M10 x 20, hex. flg. hd., brackets to chassis |                        |                                   | <b>A132W5007F</b>  | 6          |
| 06         | Nutplate, M10, bracket to chassis                   |                        |                                   | <b>B132A0222F</b>  | 2          |
| 07         | Nutplate, M10, double, bracket to chassis           |                        |                                   | <b>B132A0192F</b>  | 4          |
| 08         | Bracket. ISOFIX tether, front                       | Fits under seat runner |                                   | <b>A132V0258F</b>  | 2          |
| 09         | Rivet   |                        |                                   | <b>A111W6613F</b>  | 2          |
| 10         | Kit, ISOFIX retro-fit                               | Comprises items 3 to 8 |                                   | <b>A132U0568S</b>  | 1          |





MY12 Manual



MY12 Auto

**EVORA**  
14.01

*Updated 1st December 2014*

# Service Parts List



## Function Code 14.01 Pedal Box, Pedals, Throttle Control

| <u>Dep</u> | <u>Part Description</u>               | <u>Remarks</u>                                    | <u>Option</u>                 | <u>Part Number</u> | <u>Qty</u> |
|------------|---------------------------------------|---|-------------------------------|--------------------|------------|
| 01         | Pedalbox Assembly, without servo, RHD | Includes pedals & metal clutch master cylinder*   |                               | D132J0011F         | 1          |
| 01a        | Pedalbox Assembly, without servo, LHD | Includes pedals & metal clutch master cylinder*   |                               | C132J0129F         | 1          |
| 01b        | Pedalbox Assembly, without servo, RHD | Includes pedals & plastic clutch master cylinder  |                               | A132J0215F         | 1          |
| 01c        | Pedalbox Assembly, without servo, LHD | Includes pedals & plastic clutch master cylinder* |                               | A132J0214F         | 1          |
| 01d        | Pedalbox Assembly, without servo, RHD | Includes pedals*                                  | MY10,11 Auto NA               | A132J0153F         | 1          |
| 01e        | Pedalbox Assembly, without servo, LHD | Includes pedals*                                  | MY10,11 Auto NA               | A132J0156F         | 1          |
| 01f        | Pedalbox Assembly, without servo, RHD | Includes pedals & plastic clutch master cylinder  | MY12 Man (NA & S/Charged)     | B132J0215F         | 1          |
| 01g        | Pedalbox Assembly, without servo, LHD | Includes pedals & plastic clutch master cylinder  | MY12 Man (NA & S/Charged)     | B132J0214F         | 1          |
| 01h        | Pedalbox Assembly, without servo, RHD | Includes pedals                                   | MY12 Auto (NA & S/Charged)    | B132J0153F         | 1          |
| 01i        | Pedalbox Assembly, without servo, LHD | Includes pedals                                   | MY12 Auto (NA & S/Charged)    | B132J0156F         | 1          |
| 02         | Brake Pedal Assembly, RHD             |   | MY10, 11 Man (NA & S/Charged) | B132J0038H         | 1          |
| 02a        | Brake Pedal Assembly, LHD             |   | MY10, 11 Man (NA & S/Charged) | A132J0132H         | 1          |
| 02b        | Brake Pedal Assembly, RHD             |   | MY10,11 Auto NA               | A132J0154H         | 1          |
| 02c        | Brake Pedal Assembly, LHD             |   | MY10,11 Auto NA               | A132J0155H         | 1          |



**Function Code 14.01 Pedal Box, Pedals, Throttle Control**

| <u>Dep</u> | <u>Part Description</u>      | <u>Remarks</u>  | <u>Option</u>                 | <u>Part Number</u> | <u>Qty</u> |
|------------|------------------------------|-----------------|-------------------------------|--------------------|------------|
| 02d        | Brake Pedal Assembly, RHD    | To be confirmed | MY12 Man (NA & S/Charged)     |                    | 1          |
| 02e        | Brake Pedal Assembly, LHD    | To be confirmed | MY12 Man (NA & S/Charged)     |                    | 1          |
| 02f        | Brake Pedal Assembly, RHD    | To be confirmed | MY12 Auto (NA & S/Charged)    |                    | 1          |
| 02g        | Brake Pedal Assembly, LHD    | To be confirmed | MY12 Auto (NA & S/Charged)    |                    | 1          |
| 03         | Clutch Pedal Assembly, RHD   |                 | MY10, 11 Man (NA & S/Charged) | <b>B132J0040H</b>  | 1          |
| 03a        | Clutch Pedal Assembly, LHD   |                 | MY10, 11 Man (NA & S/Charged) | <b>A132J0131H</b>  | 1          |
| 03b        | Clutch Pedal Assembly, RHD   | To be confirmed | MY12 Man (NA & S/Charged)     |                    | 1          |
| 03c        | Clutch Pedal Assembly, LHD   | To be confirmed | MY12 Man (NA & S/Charged)     |                    | 1          |
| 04         | Electronic Throttle Assembly |                 |                               | <b>A116J0003L</b>  | 1          |
| 05         | Pad, brake & clutch pedals   |                 | MY10, 11 Man (NA & S/Charged) | <b>A132J0109H</b>  | 2          |
| 05a        | Pad, brake & clutch pedals   |                 | MY12 Man( NA & S/Charged)     | <b>A132J0263S</b>  | 2          |
| 05b        | Pad, brake                   |                 | MY10,11 Auto NA               | <b>A132J0213F</b>  | 1          |
| 05c        | Pad, brake                   | To be confirmed | MY12, Auto (NA & S/Charged)   |                    |            |
| 06         | Pad, throttle pedal, RHD     |                 | MY10,11                       | <b>A132J0108F</b>  | 1          |
| 06a        | Pad, throttle pedal, LHD     |                 | MY10,11                       | <b>A132J0133F</b>  | 1          |
| 06b        | Pad, throttle pedal          |                 | MY12                          | <b>A132J0264S</b>  | 1          |
| 07         | Switch, brake                |                 |                               | <b>A116J6034F</b>  | 1          |
| 08         | Bearing, flanged             |                 |                               | <b>A132J6008H</b>  | 4          |
| 09         | Shaft, pedal pivot           |                 |                               | <b>A132J0034H</b>  | 1          |



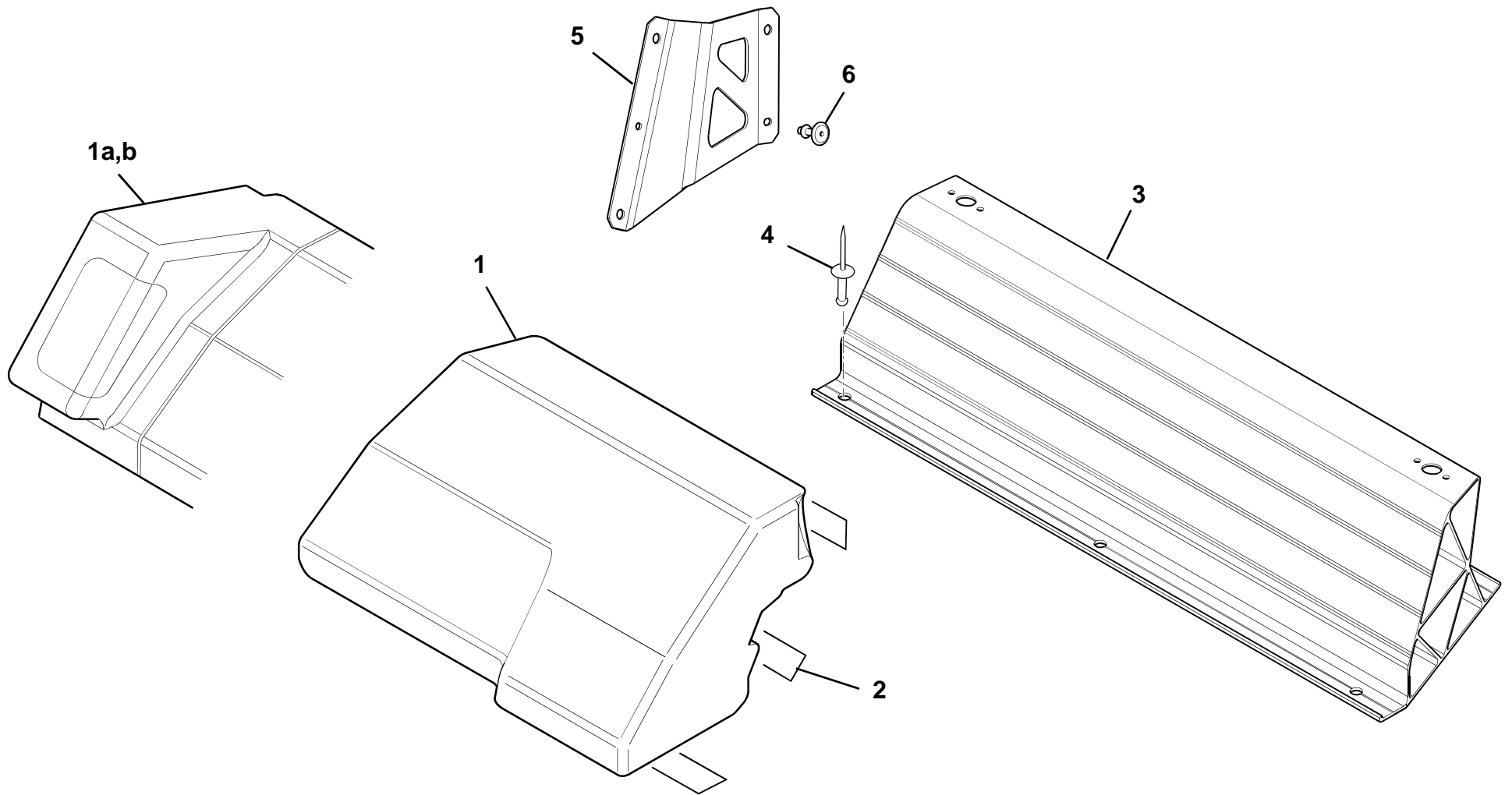
**Function Code 14.01 Pedal Box, Pedals, Throttle Control**

| <u>Dep</u> | <u>Part Description</u>                                    | <u>Remarks</u> | <u>Option</u> | <u>Part Number</u> | <u>Qty</u> |
|------------|--|----------------|---------------|--------------------|------------|
| 10         | Spring, return brake pedal                                 |                |               | A132J0060H         | 1          |
| 11         | Over-centre Spring Assembly, clutch return                 |                |               | B132J0041H         | 1          |
| 12         | Pop Rivet, pads to pedals                                  |                |               | A075W6094Z         | 6          |
| 13         | Screw, M8 x 45, flg. hd., throttle assy. to pedal box      |                |               | A132J6028H         | 3          |
| 14         | Potentiometer, clutch                                      |                |               | A132J0107H         | 1          |
| 15         | Screw, M4 x 10, skt. cap hd., potentiometer retaining      |                |               | A132J6039H         | 1          |
| 16         | Screw, M6 x 25, skt. cap hd., over centre spring retaining |                |               | A132J6033H         | 2          |
| 17         | Washer, flat, M6, over centre spring retaining             |                |               | A132J6027H         | 5          |
| 18         | Nut, M6, over centre spring retaining                      |                |               | A132J6034H         | 2          |
| 19         | Pad, clutch pedal downstop                                 |                |               | A132J6055S         | 1          |
| 20         | Clevis, brake booster                                      |                |               | A132J6011F         | 1          |
| 21         | Clevis Pin   |                |               | A132J6012F         | 1          |
| 22         | Clevis Clip  |                |               | A132J6031F         | 1          |
| 23         | Locknut M10  |                |               | A075W3024Z         | 1          |
| 24         | Screw M6 x 20, csk tx ,shaft                               |                |               | A132J6040H         | 3          |
| 25         | Bracket, brake pedal switch                                |                |               | A132J0139F         | 1          |
| 26         | Rivet  |                |               | A100W6377F         | 3          |

\*Not available order MY12  
assembly & replace driver  
footrest. Cars fitted with clutch  
master cylinder without quick-fit  
connection replace front pipe see  
47.01







**EVORA**  
14.03

*Updated 4th November 2019*

# Service Parts List

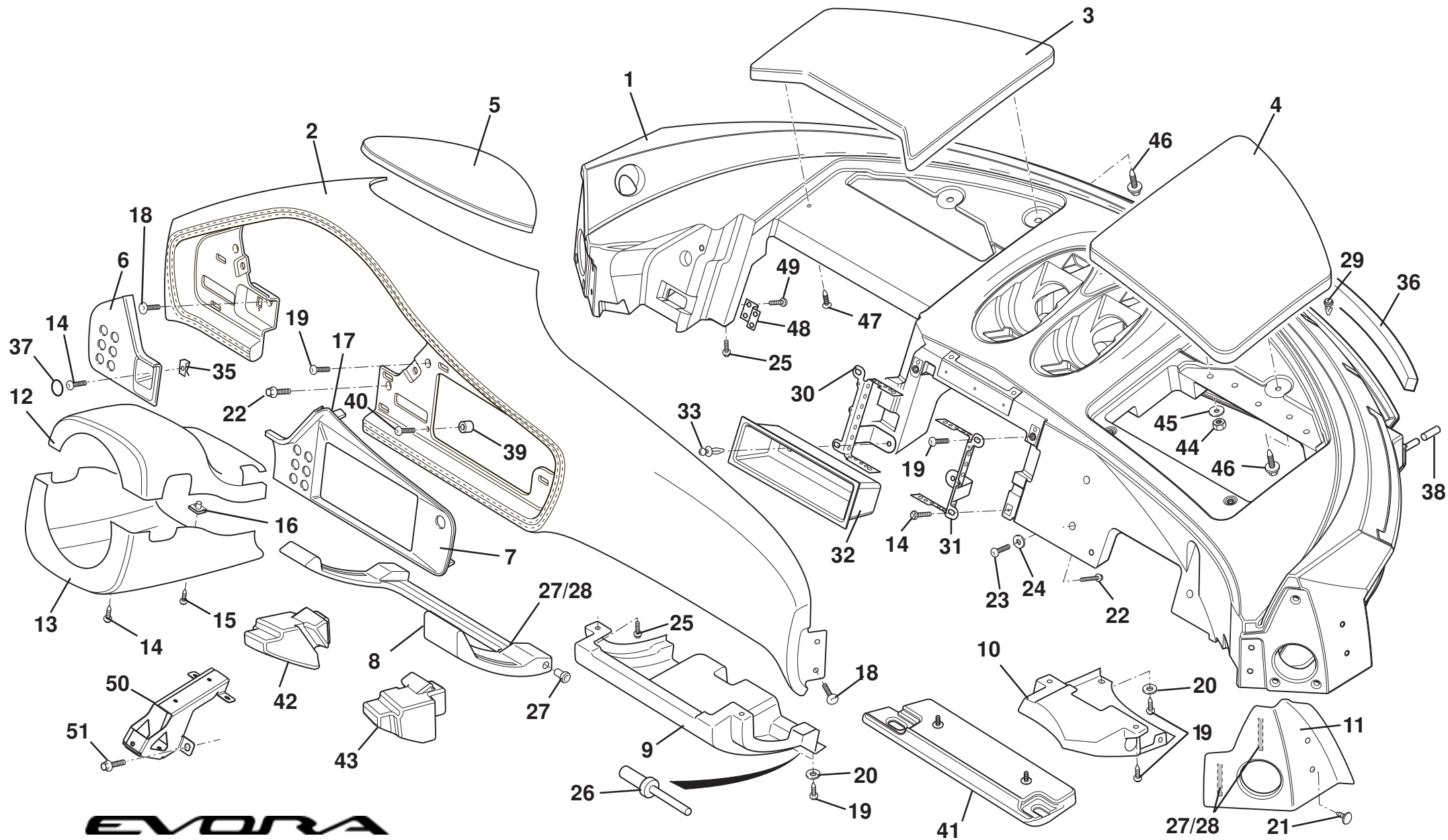
# EVORA



## Function Code 14.03 Footrests

| <u>Dep</u> | <u>Part Description</u>                      | <u>Remarks</u>                          | <u>Option</u>            | <u>Part Number</u> | <u>Qty</u> |
|------------|--|---|--------------------------|--------------------|------------|
| 01         | Driver Footrest, LHD, manual transmission    |   |                          | C132U0520F         | 1          |
| 01a        | Driver Footrest, LHD, automatic transmission | Includes heel pad and carpet, see 15.30 |                          | B132U0662J         | 1          |
| 01b        | Driver Footrest, RHD, manual & auto          | Includes heel pad and carpet, see 15.30 |                          | B132U0660J         | 1          |
| 02         | Double Sided Transfer Tape                   | Supplied in 1 meter lengths             |                          | A124B6007V         | 1          |
| 03         | Passenger footrest                           |   | USA                      | C132U0525F         | 1          |
| 04         | Rivet  |   | USA                      | A132W6018F         | 6          |
| 05         | Driver High Footrest, LHD                    |   | MY12 non federal markets | A132A0320F         | 1          |
| 06         | Rivet 3/16 lge flg                           |   | MY12 non federal markets | A089W6297F         | 5          |

EVORA



**EVORA**

**14.05**

*Updated 1st December 2013*

# Service Parts List

# EVORA



## Function Code 14.05 Fascia Structure & Supporting Hardware

| <u>Dep</u> | <u>Part Description</u>                                      | <u>Remarks</u>   | <u>Option</u> | <u>Part Number</u> | <u>Qty</u> |
|------------|--|--|---------------|--------------------|------------|
| 01         | Fascia Panel, trimmed, LHD, leather*                         |  |               | A132V4067J         | 1          |
| 01a        | Fascia Panel, trimmed, RHD, leather*                         |  |               | A132V4068J         | 1          |
| 01b        | Fascia Panel Set, RHD, leather*                              | Includes items 01a,03a,04a,05<br>and order 4 x A132W6065F, 4x<br>A079W6195F, 1 x A111V0206F<br>and 2 airbag clips B121U0117F |               | A132V4426S         | 1          |
| 01c        | Fascia Panel Set, LHD, leather*                              | Includes items 01,03,04,05 and<br>order 4 x A132W6065F, 4x<br>A079W6195F, 1 x A111V0206F<br>and 2 airbag clips B121U0117F    |               | A132V4425S         | 1          |
| 02         | Trim Panel, switch & instruments surround, LHD, leather*     |  |               | A132V4069J         | 1          |
| 02a        | Trim Panel, switch & instruments surround, RHD, leather*     |  |               | A132V4070J         | 1          |
| 02b        | Trim Panel, switch & instruments surround, LHD,<br>suedetex* |  |               | A132V4679S         | 1          |
| 02c        | Trim Panel, switch & instruments surround, RHD,<br>suedetex* |  |               | A132V4680S         | 1          |
| 03         | Access Panel, fascia top, LHD, leather*                      |  |               | A132V4437J         | 1          |
| 04         | Cover Assembly, passenger airbag, LHD, leather*              | Also see 17.35   |               | A132U4247J         | 1          |
| 04a        | Cover Assembly, passenger airbag, RHD, leather*              | Also see 17.35   |               | A132U4248J         | 1          |
| 05         | Access Panel, trimmed, instrument shroud, leather*           |  |               | A132V0069J         | 1          |
| 05a        | Access Panel, trimmed, instrument shroud, suedetex*          |  |               | A132V1001S         | 1          |
| 06         | Switch Panel, LH, LHD, brushed aluminium                     |  |               | C132V4095F         | 1          |

EVORA

**Function Code 14.05 Fascia Structure & Supporting Hardware**

| <u>Dep</u> | <u>Part Description</u>                      | <u>Remarks</u> | <u>Option</u> | <u>Part Number</u> | <u>Qty</u> |
|------------|--|----------------|---------------|--------------------|------------|
| 06a        | Switch Panel, RH, RHD, brushed aluminium     |                |               | C132V4096F         | 1          |
| 06b        | Switch Panel, LH, LHD, black                 |                | MY12 option   | A132U4531F         | 1          |
| 06c        | Switch Panel, RH, RHD, black                 |                | MY12 option   | A132U4532F         | 1          |
| 07         | Switch Panel, RH, LHD, brushed aluminium     |                |               | A132V4091F         | 1          |
| 07a        | Switch Panel, LH, RHD, brushed aluminium     |                |               | A132V4092F         | 1          |
| 07b        | Switch Panel, RH, LHD, black                 |                | MY12 option   | A132U4527F         | 1          |
| 07c        | Switch Panel, LH, RHD, black                 |                | MY12 option   | A132U4528F         | 1          |
| 08         | Infill Panel, steering column, LHD, cloth    |                |               | A132V4577S         | 1          |
| 08b        | Infill Panel, steering column, LHD, leather* |                |               | A132V4071J         | 1          |
| 08b        | Infill Panel, steering column, LHD, cloth    |                | USA           | A132V0495S         | 1          |
| 08c        | Infill Panel, steering column, RHD, leather* |                |               | A132V4072J         | 1          |
| 08d        | Infill Panel, steering column, RHD, cloth    |                |               | A132V4578S         | 1          |
| 08e        | Infill Panel, steering column, LHD, leather* |                | USA           | A132V0298J         | 1          |
| 09         | Infill Panel, centre, cloth                  |                |               | A132V0494S         | 1          |
| 09a        | Infill Panel, centre, leather*               |                |               | A132V0265S         | 1          |
| 10         | Infill Panel, RH, LHD, leather*              |                |               | A132V4304S         | 1          |
| 10a        | Infill Panel, LH, LHD, leather*              |                |               | A132V4303S         | 1          |
| 10b        | Infill Panel, RH, RHD, leather*              |                |               | A132V4306S         | 1          |
| 10c        | Infill Panel, LH, RHD, leather*              |                |               | A132V4305S         | 1          |
| 10d        | Infill Panel, RH, LHD, leather*              |                | USA           | A132V0978S         | 1          |
| 11         | Finisher Panel, RH, leather*                 |                |               | A132V5188S         | 1          |



**Function Code 14.05 Fascia Structure & Supporting Hardware**

| <u>Dep</u> | <u>Part Description</u>                                    | <u>Remarks</u>        | <u>Option</u> | <u>Part Number</u> | <u>Qty</u> |
|------------|--|-----------------------|---------------|--------------------|------------|
| 11a        | Finisher Panel, LH, leather*                               |                       |               | A132V5187S         | 1          |
| 12         | Shroud, steering column upper**                            | Grained finish        |               | A132U6000F         | 1          |
| 12a        | Shroud, steering column upper                              | Senosoft              |               | A132U0708F         | 1          |
| 13         | Shroud Assembly, steering column lower**                   | Grained finish        |               | A132U6001F         | 1          |
| 13a        | Shroud Assembly, steering column lower                     | Senosoft              |               | A132U0710F         | 1          |
| 14         | Screw, no. 8 x 0.5", flg. pozi. S/T, lower to upper shroud |                       |               | A117W5250F         | 5          |
| 15         | Screw M5x12 btn skt hd , lower shroud rear fix.            |                       |               | A132W5033F         | 1          |
| 16         | Easy Boss, 50 x 3.5 x 12.0, rear lower shroud fixing       |                       |               | A124W3193F         | 1          |
| 17         | Tower Clip, switch panel to trim panel                     |                       |               | A132W6019F         | 4          |
| 18         | Screw, M6 x 16, csk. skt. hd., trim panel to fascia        |                       |               | A918W7120F         | 5          |
| 19         | Screw, M6 x 20, button hd. S/S black, panels fixing        |                       |               | A100W7096F         | 9          |
| 20         | Washer, flat, M6 x 12.1 x 1.4, panels fixing               |                       |               | A075W4013Z         | 4          |
| 21         | Firtree Fastener, finisher to fascia                       |                       |               | A132W6065F         | 4          |
| 22         | Screw, M6 x 30, hex. flg. hd., fascia to trim panel        |                       |               | A124W5294F         | 5          |
| 23         | Screw, M8 x 20, button hd. black, fascia to chassis        |                       |               | A075W7022Z         | 2          |
| 24         | Washer, flat, M8 x 16.5 x 1.6 S/S, fascia to chassis       |                       |               | A111W4175F         | 2          |
| 25         | Screw, M6 x 16, hex. flg. hd., fascia & infill fixing      |                       |               | A918W5208F         | 4          |
| 26         | Pin, glovebox hinge  |                       |               | A132V0204F         | 3          |
| 27         | Grip-lock, self adhesive, 20mm, hook, panels retention     | Also for items 3, & 5 |               | A111V6019V         | As req.    |
| 28         | Grip-lock, self adhesive, 20mm, loop, panels retention     | Also for items 3, & 5 |               | A111V6020V         | As req.    |
| 29         | Clip, cover to panel                                       | Also see 17.35        |               | B121U0117F         | 4          |



**Function Code 14.05 Fascia Structure & Supporting Hardware**

| <u>Dep</u> | <u>Part Description</u>          | <u>Remarks</u>  | <u>Option</u>     | <u>Part Number</u> | <u>Qty</u> |
|------------|----------------------------------|---|-------------------|--------------------|------------|
| 30         | Radio/Pocket support Bracket, LH |   | Single Din Radio  | A132V4209F         | 1          |
| 30a        | Radio/Pocket support Bracket, LH | Not illustrated   | Double Din Radio  | A132V4205F         | 1          |
| 31         | Radio/Pocket support Bracket, RH |   | Single Din Radio  | A132V4210F         | 1          |
| 31a        | Radio/Pocket support Bracket, RH | Not illustrated   | Double Din Radio  | A132V4206F         | 1          |
| 32         | Stowage Pocket                   |   | Single Din Radio  | A132V0200F         | 1          |
| 33         | Fastner                          |   |                   | A116U0201F         | 2          |
| 34         | Decal Door Cheater               |   |                   | A116B0399F         | 1          |
| 35         | Spire Nut no. 8                  |   |                   | A075W6016Z         | 1          |
| 36         | Foam strip                       | Need to order quantity of 2 for full length. Qty1 = 1 meter |                   | A132U6063V         | 2          |
| 37         | Blanking Patch                   |   |                   | A111V0206F         | 1          |
| 38         | Flexible Cap, black              |   |                   | A132W6066F         | 3          |
| 39         | Spacer, nylon                    |   |                   | A117W6721F         | 1          |
| 40         | Screw no. 6 x 1 flg pozi         |   |                   | A082W5022F         | 1          |
| 41         | Knee Bolster Passenger           |   | Black, USA/Canada | A132V0299J         | 1          |
| 42         | Knee Bolster Foam Driver LH      |   | USA/Canada        | A132V4321F         | 1          |
| 43         | Knee Bolster Foam Driver RH      |   | USA/Canada        | A132V4322F         | 1          |
| 44         | Nut Nyloc M6                     |   |                   | A075W3009Z         | 3          |
| 45         | Washer M6 x 15 x 1.5 s/s blk     |   |                   | A082W4133F         | 3          |
| 46         | Bolt M6 x 12 hex flg             |   |                   | A132W5010F         | 4          |
| 47         | Screw csk                        |   |                   | A132W5032F         | 2          |



---

**Function Code 14.05 Fascia Structure & Supporting Hardware**

| <u>Dep</u> | <u>Part Description</u>                      | <u>Remarks</u> | <u>Option</u> | <u>Part Number</u> | <u>Qty</u> |
|------------|--|----------------|---------------|--------------------|------------|
| 48         | Bracket, trim panel                          |                |               | A132V0134F         | 2          |
| 49         | Screw M6 x 10, pan pozi, bracket, trim panel |                |               | A075W5088Z         | 4          |
| 50         | Bracket Knee Bolster, LH                     |                | USA/Canada    | A132V4245F         | 1          |
| 50a        | Bracket Knee Bolster, RH                     |                | USA/Canada    | A132V4246F         | 1          |
| 51         | Screw M8 x 20, hex flg, bracket knee bolster |                |               | A132W5005F         | 8          |

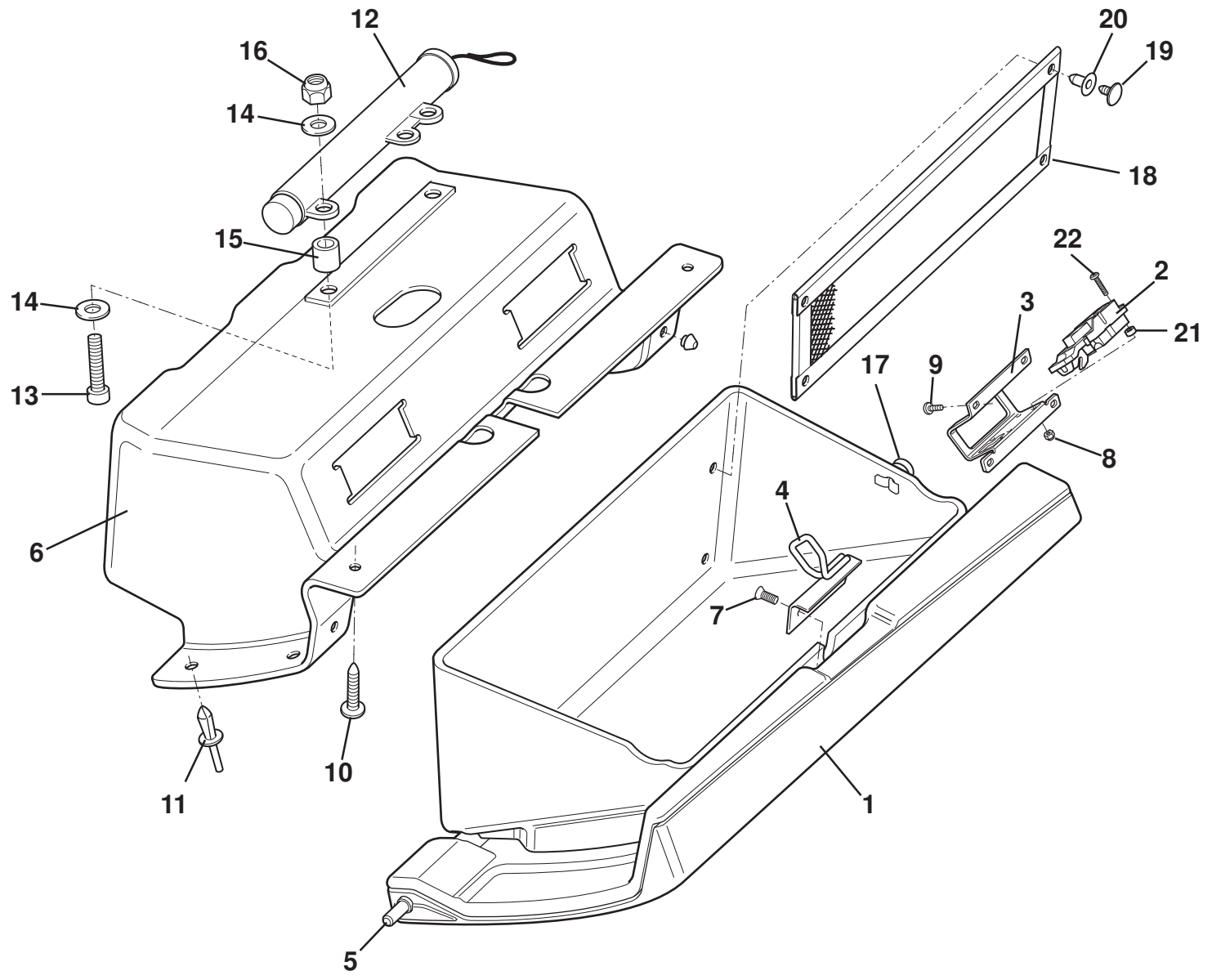
---

\*Use Trim Order Form LSL654

\*\* If grained version not available  
order 12a and 13a

---





**EVORA**

14.12

*Updated 1st November 2013*

# Service Parts List



## Function Code 14.12 Passenger Fascia: Glovebox Assembly

| <u>Dep</u> | <u>Part Description</u>                             | <u>Remarks</u> | <u>Option</u> | <u>Part Number</u> | <u>Qty</u> |
|------------|---|----------------|---------------|--------------------|------------|
| 01         | Glovebox Assembly, LHD, cloth                       |                |               | A132V4579S         | 1          |
| 01a        | Glovebox Assembly, LHD, cloth, fed                  |                | USA/Canada    | A132V0950S         | 1          |
| 01b        | Glovebox Assembly, LHD, leather*                    |                |               | A132V4073J         | 1          |
| 01c        | Glovebox Assembly, LHD, fed, leather*               |                | USA/Canada    | A132V0295J         | 1          |
| 01d        | Glovebox Assembly, RHD, cloth                       |                |               | A132V4580S         | 1          |
| 01e        | Glovebox Assembly, RHD, leather*                    |                |               | B132V4074J         | 1          |
| 02         | Latch Actuator, glovebox release                    |                |               | A132M6089F         | 1          |
| 03         | Bracket, latch mounting, LHD                        |                |               | A132V4159F         | 1          |
| 03a        | Bracket, latch mounting, RHD                        |                |               | A132V4160F         | 2          |
| 04         | Striker, glovebox                                   |                |               | A132V0153F         | 2          |
| 05         | Pin, glovebox hinge                                 |                |               | A132V0204F         | 2          |
| 06         | Liner, inner glovebox                               |                |               | B132U0024F         | 1          |
| 07         | Screw, M6 x 12, csk. hd., striker to glovebox       |                |               | A100W1055F         | 2          |
| 08         | Nyloc Nut, M4, latch to bracket                     |                |               | A075W3049Z         | 4          |
| 09         | Screw, bracket to fascia                            |                |               | A075W5088Z         | 4          |
| 10         | Screw, No.6 x 1.0", flg. pozi. hd., liner to fascia |                |               | A082W5022F         | 2          |
| 11         | Rokut Rivet, liner to fascia                        |                |               | A079W6195F         | 4          |
| 12         | Damper, glovebox, grey                              |                |               | A132V6052F         | 1          |



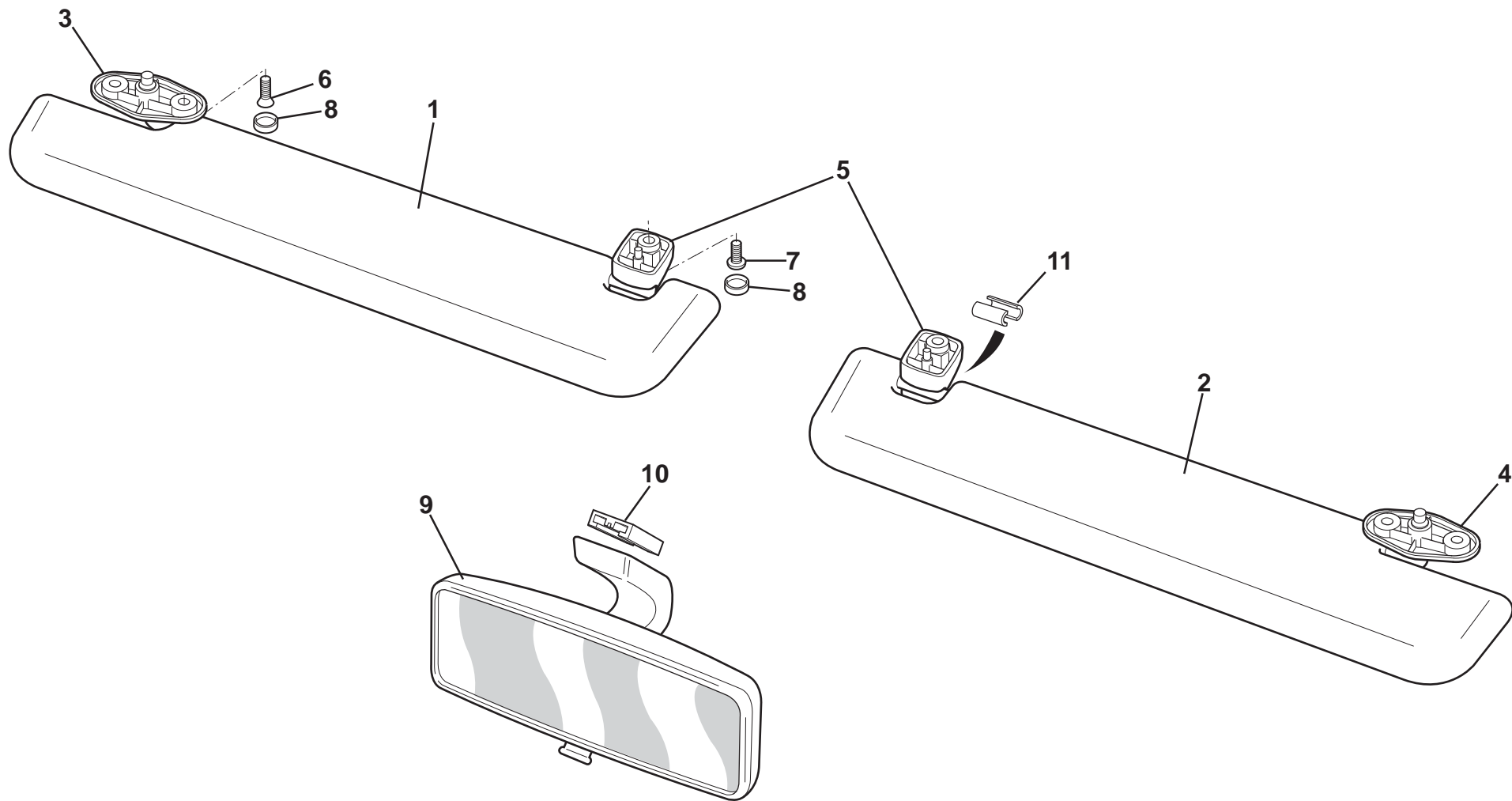
---

**Function Code 14.12 Passenger Fascia: Glovebox Assembly**

| <u>Dep</u> | <u>Part Description</u>                      | <u>Remarks</u> | <u>Option</u> | <u>Part Number</u> | <u>Qty</u> |
|------------|--|----------------|---------------|--------------------|------------|
| 12a        | Damper, glovebox, red, federal               |                | USA/Canada    | A132V6009F         | 1          |
| 13         | Screw, M5 x 25, cap hd., damper to liner     |                |               | A132W7001F         | 2          |
| 14         | Washer, flat, M5 x 10 x 0.8, damper to liner |                |               | A075W4011Z         | 4          |
| 15         | Spacer, damper to liner                      |                |               | A132W6039F         | 2          |
| 16         | Nyloc Nut, M5, damper to liner               |                |               | A100W3113F         | 2          |
| 17         | Retaining Pin, glove box                     |                |               | A132V6071S         | 1          |
| 18         | Stowage Net                                  |                |               | A132V0233F         | 1          |
| 19         | Fastner Button                               |                |               | A111B6074F         | 4          |
| 20         | Fastner Socket                               |                |               | A111B6075F         | 4          |
| 21         | Spacer, latch to bracket                     |                |               | A132W6039F         | 4          |
| 22         | Screw M4 x 25 pan pozi                       |                |               | A132W5027F         | 4          |

\*Use Trim Order Form LSL654

---



**EVORA**  
15.05

*Updated 1st April 2015*

# Service Parts List



## Function Code 15.05 Interior Driving Mirror & Sunvisors

| <u>Dep</u> | <u>Part Description</u>                    | <u>Remarks</u>                                 | <u>Option</u>                     | <u>Part Number</u>   | <u>Qty</u> |
|------------|--|--|-----------------------------------|----------------------|------------|
| 01         | Sunvisor Assembly, beige, LH *             | All markets, options and variants, see note *  |                                   | <b>Not Available</b> | 1          |
| 01a        | Sunvisor Assembly, light grey, LH*         | All markets, options and variants, see note *  | Prior MY14                        | <b>Not Available</b> | 1          |
| 01b        | Sunvisor Assembly, light grey, LH          | With mirror, no warning labels                 | MY14, Euro/ROW, from vin EH_10009 | <b>C132V4145J</b>    | 1          |
| 01c        | Sunvisor Assembly, light grey, LH, RHD     | With mirror, warning label C132U0315F          | MY14, Euro/ROW, from vin EH_10009 | <b>B132V4371S</b>    | 1          |
| 01d        | Sunvisor Assembly, light grey, LH, RHD     | No mirror, with warning label C132U0315F       | MY15, Euro/ROW, from vin FH_21457 | <b>B132V4375S</b>    | 1          |
| 01e        | Sunvisor Assembly, light grey, LH, LHD     | No mirror, with warning label C132U0315F       | MY14, Euro/ROW, from vin EH_10009 | <b>B132V4375S</b>    | 1          |
| 01f        | Sunvisor Assembly, light grey, LH, federal | No mirror, with warning labels A132U0548F/49F  | MY14, USA, from vin EH_10009      | <b>B132V4381S</b>    | 1          |
| 01g        | Sunvisor Assembly, light grey, LH, LHD     | No mirror, with warning labels A132U0548F/573F | MY14, Canada from vin EH_10009    | <b>B132V4417S</b>    | 1          |
| 01h        | Sunvisor Assembly, light grey, LH, LHD     | No mirror, with warning label A132U0569F       | MY14,GCC, from vin EH_10009       | <b>B132V4421S</b>    | 1          |
| 01i        | Sunvisor Assembly, light grey              | No mirror, no warning labels                   | MY14, from vin EH_10009           | <b>A132V1183J</b>    | 1          |
| 01j        | Sunvisor Assembly, dark grey, LH*          | All markets, options and variants, see note *  | Prior MY13                        | <b>Not Available</b> | 1          |
| 01k        | Sunvisor Assembly, dark grey, LH           | With mirror, no warning labels                 | MY13, Euro/ROW from vin DH_11093  | <b>B132V4467J</b>    | 1          |



**Function Code 15.05 Interior Driving Mirror & Sunvisors**

| <b>Dep</b> | <b>Part Description</b>                  | <b>Remarks</b>  | <b>Option</b>                        | <b>Part Number</b>   | <b>Qty</b> |
|------------|--|---|--------------------------------------|----------------------|------------|
| 01l        | Sunvisor Assembly, dark grey, LH, RHD    | With mirror, warning label<br>C132U0315F                    | MY13, Euro/ROW, from vin<br>DH_11093 | <b>B132V4659S</b>    | 1          |
| 01m        | Sunvisor Assembly, dark grey, LH, RHD    | No mirror, with warning label<br>C132U0315F                 | MY15, Euro/ROW, from vin<br>FH_21457 | <b>A132V1220S</b>    | 1          |
| 01n        | Sunvisor Assembly, dark grey, LH, LHD    | No mirror, with warning label<br>C132U0315F                 | MY13, Euro/ROW, from vin<br>DH_11093 | <b>A132V1220S</b>    | 1          |
| 01o        | Sunvisor Assembly, dark grey, LH,federal | No mirror, with warning labels<br>A132U0548F/49F            | MY13, USA, from vin<br>DH_11093      | <b>B132V4661S</b>    | 1          |
| 01p        | Sunvisor Assembly, dark grey, LH, LHD    | No mirror, with warning labels<br>A132U0548F/573F           | MY13, Canada, from vin<br>DH_11093   | <b>B132V4663S</b>    | 1          |
| 01q        | Sunvisor Assembly, dark grey, LH, LHD    | No mirror, warning label<br>A132U0569F                      | MY13, GCC, from vin<br>DH_11093      | <b>B132V4665S</b>    | 1          |
| 01r        | Sunvisor Assembly, dark grey             | No mirror, no warning labels                                | MY13, from vin DH_11093              | <b>A132V1182J</b>    | 1          |
| 02         | Sunvisor Assembly, beige, RH*            | All markets, options and variants<br>except 02a, see note * |                                      | <b>Not Available</b> | 1          |
| 02a        | Sunvisor Assembly, beige, RH             | With mirror, warning label<br>C132U0315F                    | Euro/ROW                             | <b>A132V4373S</b>    | 1          |
| 02b        | Sunvisor Assembly, light grey, RH*       | All markets, options and variants,<br>see note *            | Prior MY14                           | <b>Not Available</b> | 1          |
| 02c        | Sunvisor Assembly, light grey, RH        | With mirror, no warning labels                              | MY14, Euro/ROW, from vin<br>EH_10009 | <b>C132V4146J</b>    | 1          |
| 02d        | Sunvisor Assembly, light grey, RH, RHD   | No mirror, with warning label<br>C132U0315F                 | MY14, Euro/ROW, from vin<br>EH_10009 | <b>B132V4376S</b>    | 1          |
| 02e        | Sunvisor Assembly, light grey, RH, LHD   | With mirror, warning label<br>C132U0315F                    | MY14, Euro/ROW, from vin<br>EH_10009 | <b>A132V1214S</b>    | 1          |
| 02f        | Sunvisor Assembly, light grey, RH, LHD   | No mirror, with warning label<br>C132U0315F                 | MY15, Euro/ROW, from vin<br>FH_21457 | <b>B132V4376S</b>    | 1          |



**Function Code 15.05 Interior Driving Mirror & Sunvisors**

| <u>Dep</u> | <u>Part Description</u>                    | <u>Remarks</u>  | <u>Option</u>                        | <u>Part Number</u>   | <u>Qty</u> |
|------------|--|---|--------------------------------------|----------------------|------------|
| 02g        | Sunvisor Assembly, light grey, RH, federal | With mirror, warning labels<br>A132U0548F/49F           | MY14, USA, from vin<br>EH_10009      | <b>B132V4383S</b>    | 1          |
| 02h        | Sunvisor Assembly, light grey, RH, LHD     | With mirror, warning labels<br>A132U0548F/573F          | MY14, Canada, from vin<br>EH_10009   | <b>B132V4418S</b>    | 1          |
| 02i        | Sunvisor Assembly, light grey, RH, LHD     | With mirror, warning label<br>A132U0569F                | MY14, GCC, from vin<br>EH_10009      | <b>B132V4422S</b>    | 1          |
| 02j        | Sunvisor Assembly, light grey              | No mirror, no warning labels                            | MY14, Euro/ROW, from vin<br>EH_10009 | <b>A132V1183J</b>    | 1          |
| 02k        | Sunvisor Assembly, dark grey, RH*          | All markets, options and variants,<br>see note *        | Prior MY13                           | <b>Not Available</b> | 1          |
| 02l        | Sunvisor Assembly, dark grey, RH           | With mirror, no warning labels                          | MY13, Euro/ROW from vin<br>DH_11093  | <b>B132V4468J</b>    | 1          |
| 02m        | Sunvisor Assembly, dark grey, RH, RHD      | No mirror, with warning label<br>C132U0315F             | MY13, Euro/ROW, from vin<br>DH_11093 | <b>B132V4660S</b>    | 1          |
| 02n        | Sunvisor Assembly, dark grey, RH, LHD      | With mirror, with warning label<br>C132U0315F           | MY13, Euro/ROW, from vin<br>DH_11093 | <b>A132V1221S</b>    | 1          |
| 02o        | Sunvisor Assembly, dark grey, RH, LHD      | No mirror, with warning label<br>C132U0315F             | MY15, Euro/ROW, from vin<br>FH_21457 | <b>B132V4660S</b>    | 1          |
| 02p        | Sunvisor Assembly, dark grey, RH,federal   | With mirror, warning labels<br>A132U0548F/49F           | MY13, USA, from vin<br>DH_11093      | <b>B132V4662S</b>    | 1          |
| 02q        | Sunvisor Assembly, dark grey, RH,federal   | No mirror, with warning labels<br>A132U0548F/B132U0549F |                                      | <b>A132V1217S</b>    | 1          |
| 02r        | Sunvisor Assembly, dark grey, RH, LHD      | With mirror, warning labels<br>A132U0548F/573F          | MY13, Canada, from vin<br>DH_11093   | <b>B132V4664S</b>    | 1          |
| 02s        | Sunvisor Assembly, dark grey, RH, LHD      | With mirror, warning label<br>A132U0569F                | MY13, GCC, from vin<br>DH_11093      | <b>B132V4666S</b>    | 1          |
| 02t        | Sunvisor Assembly, dark grey               | No mirror, no warning labels                            | MY13, from vin DH_11093              | <b>A132V1182J</b>    | 1          |



**Function Code 15.05 Interior Driving Mirror & Sunvisors**

| <u>Dep</u> | <u>Part Description</u>                        | <u>Remarks</u> | <u>Option</u> | <u>Part Number</u> | <u>Qty</u> |
|------------|--|----------------|---------------|--------------------|------------|
| 03         | Pivot, visor outboard, beige, LH               |                |               | A132V6005F         | 1          |
| 03a        | Pivot, visor outboard, light grey, LH          |                |               | A132V6019F         | 1          |
| 03b        | Pivot, visor outboard, black, LH               |                | MY12          | A132V6082F         | 1          |
| 04         | Pivot, visor outboard, beige, RH               |                |               | A132V6006F         | 1          |
| 04a        | Pivot, visor outboard, light grey, RH          |                |               | A132V6020F         | 1          |
| 04b        | Pivot, visor outboard, black, RH               |                | MY12          | A132V6083F         | 1          |
| 05         | Clip, visor retaining inboard, beige           |                |               | A132V6003F         | 2          |
| 05a        | Clip, visor retaining inboard, light grey      |                |               | A132V6018F         | 2          |
| 05b        | Clip, visor retaining inboard, black           |                | MY12          | A132V6079F         | 2          |
| 06         | Screw, M5 x 16, csk. pozi., visor pivot fixing |                |               | A132W5029F         | 4          |
| 07         | Screw, M5 x 16, pan pozi. hd., clip fixing     |                |               | A082W5107F         | 2          |
| 08         | Blanking Plug, beige                           |                |               | A132V6007F         | 6          |
| 08a        | Blanking Plug, grey                            |                |               | A132V6021F         | 6          |
| 08b        | Blanking Plug, black                           |                | MY12          | A132V6081F         | 6          |
| 09         | Mirror, interior rear view, 22 cm wide         |                |               | A120U6009F         | 1          |
| 10         | Mounting Plinth, interior mirror               |                |               | A120U6010F         | 1          |
| 11         | Pivot Bush, beige                              | 2 per visor    |               | A132V6004F         | 4          |
| 11a        | Pivot Bush, light grey                         | 2 per visor    |               | A132V6016F         | 4          |
| 11b        | Pivot Bush, black                              | 2 per visor    |               | A132V6080F         | 4          |

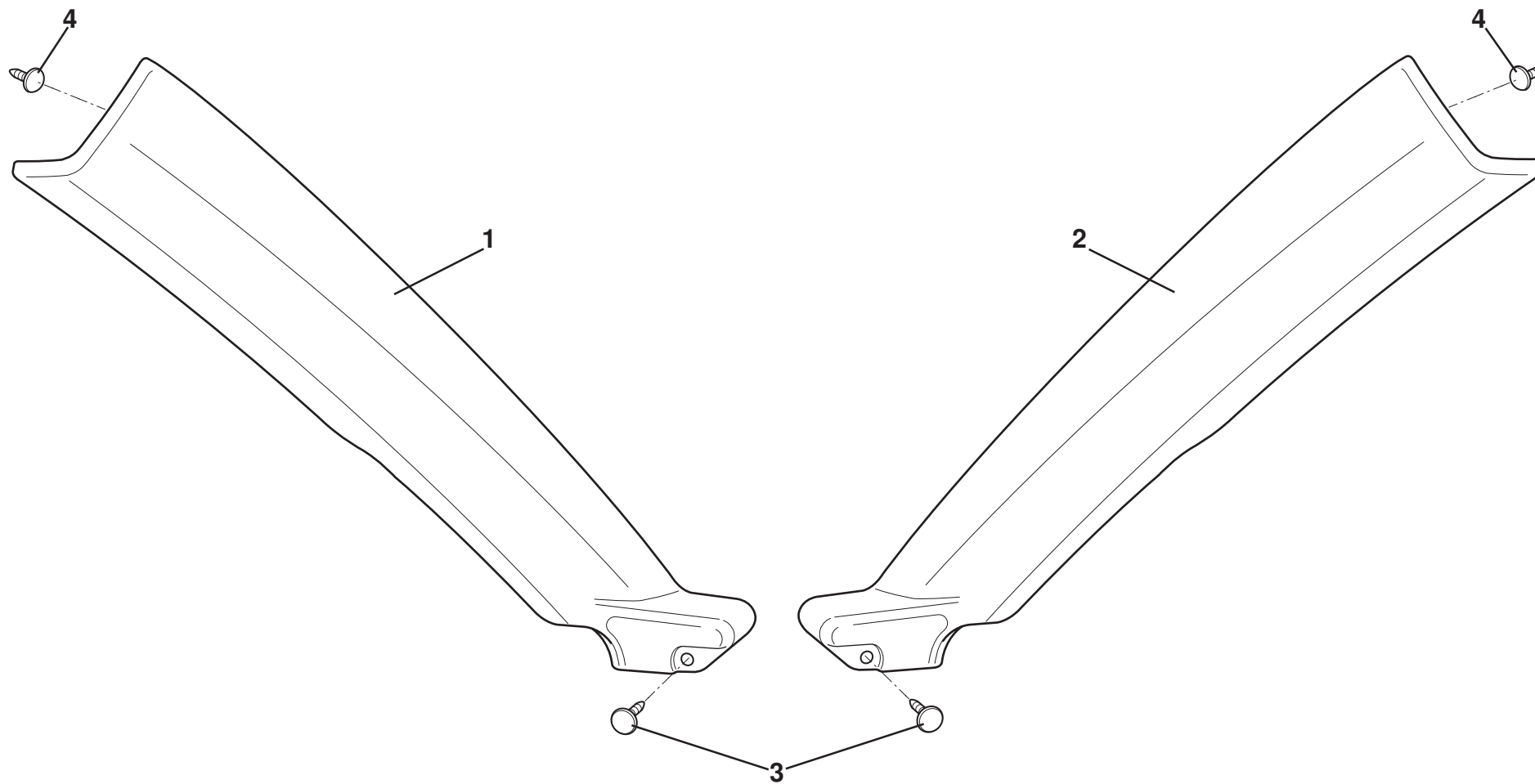


---

**Function Code 15.05 Interior Driving Mirror & Sunvisors**

| <u>Dep</u> | <u>Part Description</u> | <u>Remarks</u>  | <u>Option</u> | <u>Part Number</u> | <u>Qty</u> |
|------------|-------------------------|---|---------------|--------------------|------------|
|            |                         | *Note: If unavailable order<br>headliner trim kit (trim spec<br>change) see 12.04 |               |                    |            |

---

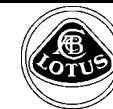


**EVORA**

**15.07**

**2009/02**

# Service Parts List

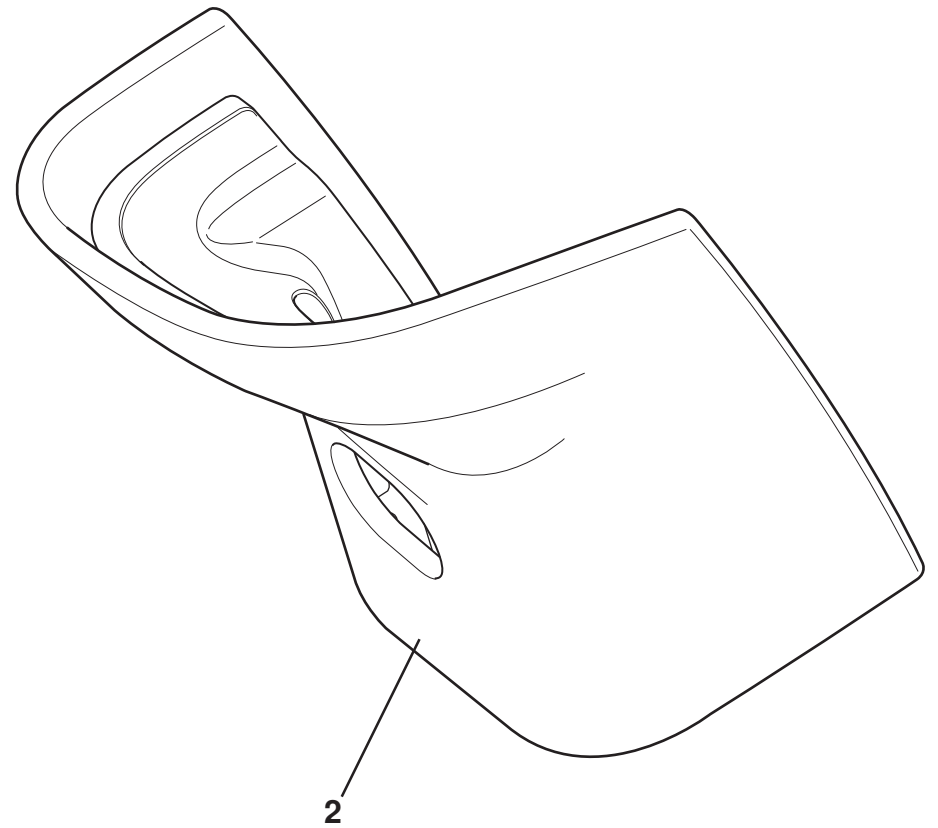
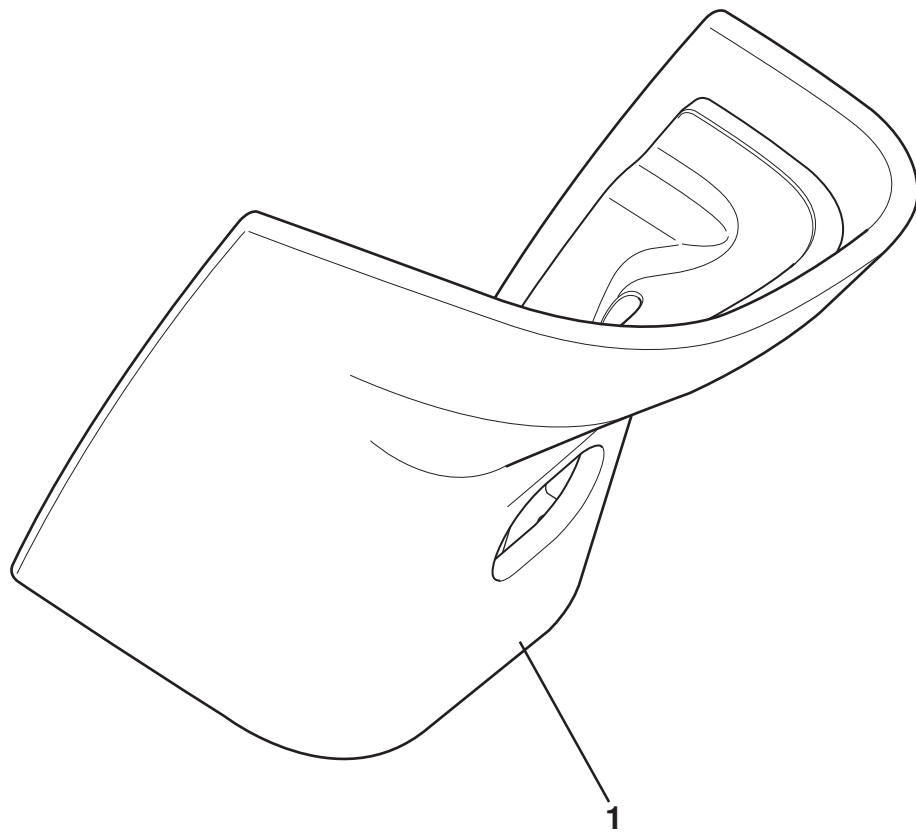


## Function Code 15.07 'A' Pillar Interior Trim

| <u>Dep</u> | <u>Part Description</u>              | <u>Remarks</u> | <u>Option</u>            | <u>Part Number</u> | <u>Qty</u> |
|------------|--------------------------------------|----------------|--------------------------|--------------------|------------|
| 01         | 'A' Pillar Trim, beige, LH*          |                |                          | D132U4245F         | 1          |
| 01a        | 'A' Pillar Trim, light grey, LH*     |                |                          | D132V4141F         | 1          |
| 01b        | 'A' Pillar Trim, light grey, LH      |                | MY14 , from vin EH_10009 | G132V4141F         | 1          |
| 01c        | 'A' Pillar Trim, dark grey, LH*      |                | MY12                     | A132V4461F         | 1          |
| 01d        | 'A' Pillar Trim, dark grey, LH       |                | MY13, from vin DH_11093  | C132V4461F         | 1          |
| 02         | 'A' Pillar Trim, beige, RH*          |                |                          | D132U4246F         | 1          |
| 02a        | 'A' Pillar Trim, light grey, RH*     |                |                          | D132V4142F         | 1          |
| 02b        | 'A' Pillar Trim, light grey, RH      |                | MY14, from vin EH_10009  | G132V4142F         | 1          |
| 02c        | 'A' Pillar Trim, dark grey, RH*      |                | MY12                     | A132V4462F         | 1          |
| 02d        | 'A' Pillar Trim, dark grey, RH       |                | MY13, from vin DH_11093  | C132V4462F         | 1          |
| 03         | Fir Tree Fastener, button hd., black |                |                          | A132W6006F         | 2          |
| 04         | Fir Tree Fastener, button hd.        |                |                          | A116U0200F         | 4          |

\*If unavailable order headliner trim kit (trim spec change) see 12.04





**EVORA**

**15.09**

*2009/02*

# Service Parts List

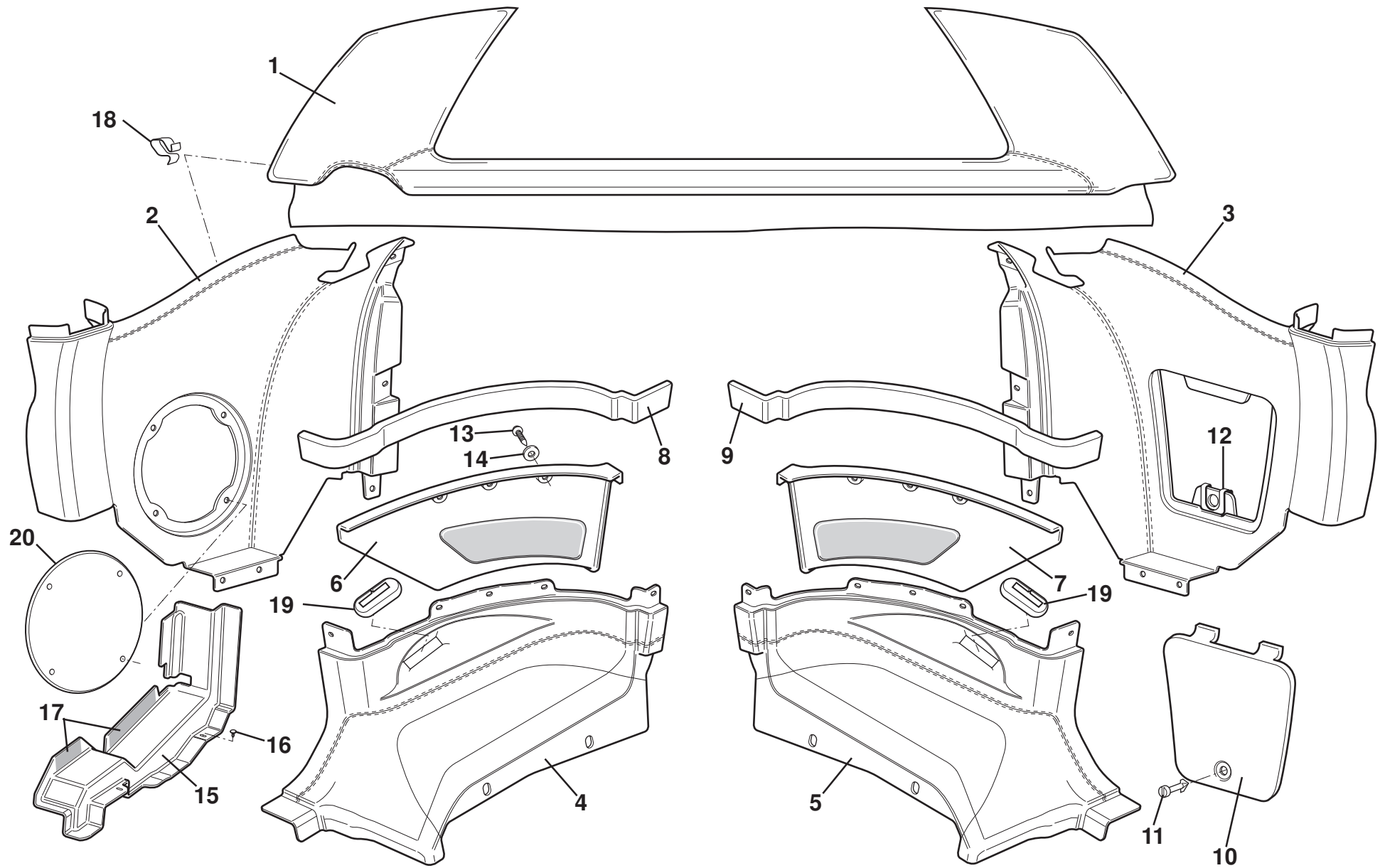


## Function Code 15.09 'B' & 'C' Pillar Interior Trim.

| <u>Dep</u> | <u>Part Description</u>          | <u>Remarks</u> | <u>Option</u>           | <u>Part Number</u> | <u>Qty</u> |
|------------|----------------------------------|----------------|-------------------------|--------------------|------------|
| 01         | 'B' Pillar Trim, beige, LH*      |                |                         | B132U4051F         | 1          |
| 01a        | 'B' Pillar Trim, light grey, LH* |                |                         | B132V4143F         | 1          |
| 01b        | 'B' Pillar Trim, light grey, LH  |                | MY14, from vin EH_10009 | C132V4143F         | 1          |
| 01c        | 'B' Pillar Trim, dark grey, LH*  |                | MY12                    | A132V4463F         | 1          |
| 01d        | 'B' Pillar Trim, dark grey, LH   |                | MY13, from vin DH_11093 | B132V4463F         | 1          |
| 02         | 'B' Pillar Trim, beige, RH*      |                |                         | B132U4052F         | 1          |
| 02a        | 'B' Pillar Trim, light grey, RH* |                |                         | B132V4144F         | 1          |
| 02b        | 'B' Pillar Trim, light grey, RH  |                | MY14, from vin EH_10009 | C132V4144F         | 1          |
| 02c        | 'B' Pillar Trim, dark grey, RH*  |                | MY12                    | A132V4464F         | 1          |
| 02d        | 'B' Pillar Trim, dark grey, RH   |                | MY13, from vin DH_11093 | B132V4464F         | 1          |

\*If unavailable order headliner trim kit (trim spec change) see 12.04





**EVORA**

**15.11**

*Updated 1st August 2014*

# Service Parts List



## Function Code 15.11 Interior Trim & Stowage Provision

| <u>Dep</u> | <u>Part Description</u>                           | <u>Remarks</u>               | <u>Option</u>     | <u>Part Number</u> | <u>Qty</u> |
|------------|---|------------------------------|-------------------|--------------------|------------|
| 01         | Rear Bulkead Trim Panel Assembly, leather*        |                              |                   | A132V0050J         | 1          |
| 02         | Trim Panel, rear quarter upper,leather RH*        |                              |                   | A132V4266S         | 1          |
| 02a        | Trim Panel, rear quarter upper, 2 + 0,leather RH* | Not illustrated, 2 seat only |                   | A132V4387S         | 1          |
| 03         | Trim Panel, rear quarter upper, LH*               |                              |                   | A132V4265S         | 1          |
| 03a        | Trim Panel, rear quarter upper, 2 + 0, LH*        | Not illustrated, 2 seat only |                   | A132V4385S         | 1          |
| 03b        | Trim Panel, rear quarter upper, LH, venom red     |                              |                   | A132V4693S         | 1          |
| 04         | Trim Panel, rear quarter lower, RH, cloth         |                              |                   | A132V4581S         | 1          |
| 04a        | Trim Panel, rear quarter lower, RH, leather*      |                              |                   | A132V4268S         | 1          |
| 04b        | Trim Panel, rear quarter lower, RH, leather*      |                              | MY12              | A132V5384S         | 1          |
| 05         | Trim Panel, rear quarter lower, LH, cloth         |                              |                   | A132V4582S         | 1          |
| 05a        | Trim Panel, rear quarter lower, leather LH        |                              |                   | A132V4267S         | 1          |
| 05b        | Trim Panel, rear quarter lower, leather LH        |                              | MY12              | A132V5383S         | 1          |
| 06         | Pocket Assembly, rear quarter panel, RH           | Assembly with grille         |                   | A132V4150J         | 1          |
| 6a         | Pocket, rear quarter panel, RH                    | 4 slots no grille            | From vin FH_20501 | A132V4103F         | 1          |
| 07         | Pocket Assembly, rear quarter panel, LH           | Assembly with grille         |                   | A132V4149J         | 1          |
| 7a         | Pocket rear quarter panel, LH                     | 4 slots no grille            | From vin FH_20501 | A132V4104F         | 1          |
| 08         | Trim Finisher, rear quarter, leather, RH*         |                              |                   | A132V4258S         | 1          |
| 08I        | Trim Finisher, rear quarter, suedetex, RH*        |                              |                   | A132V4746S         | 1          |

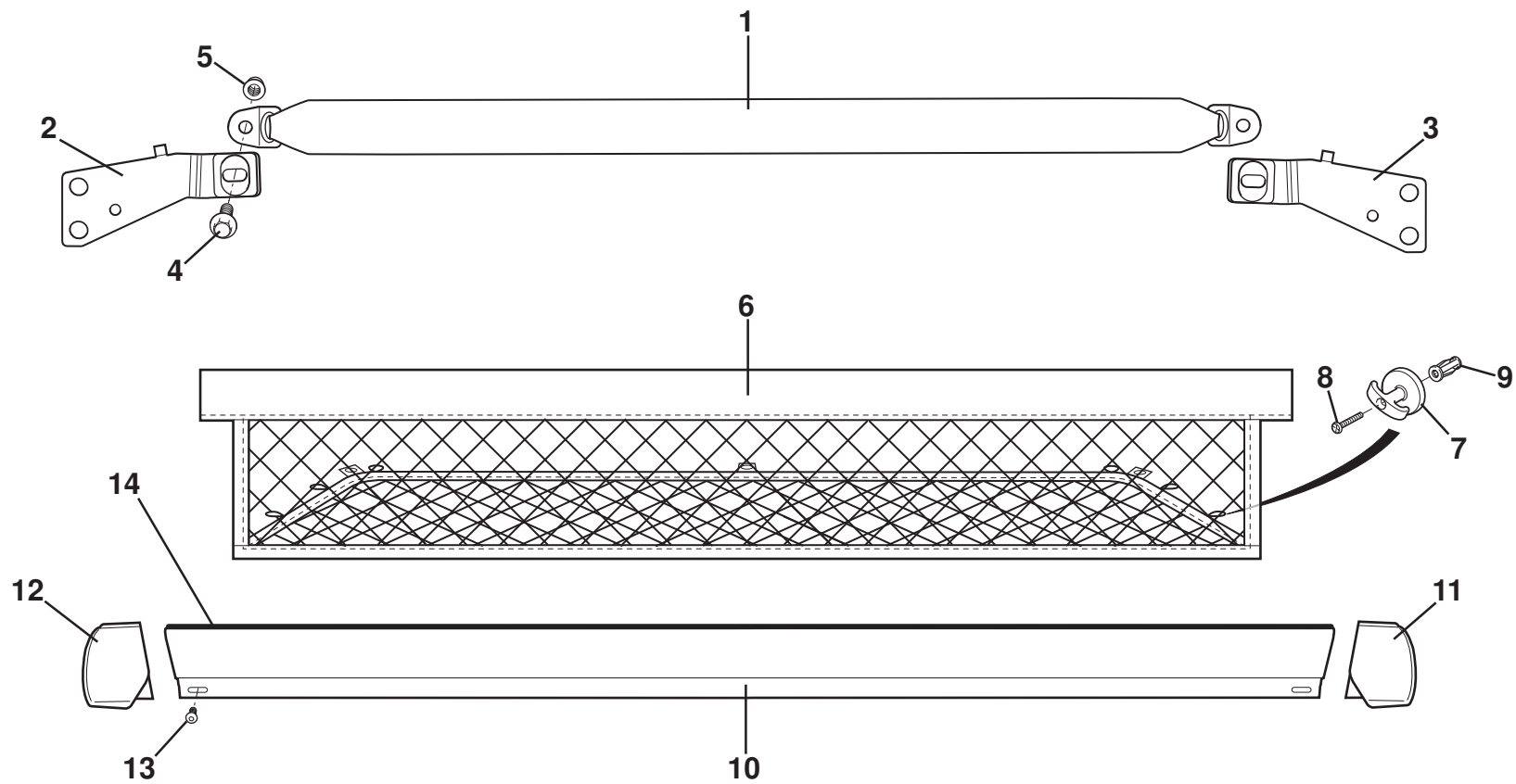


**Function Code 15.11 Interior Trim & Stowage Provision**

| <u>Dep</u> | <u>Part Description</u>                                     | <u>Remarks</u>       | <u>Option</u> | <u>Part Number</u> | <u>Qty</u> |
|------------|---|----------------------|---------------|--------------------|------------|
| 09         | Trim Finisher, rear quarter, leather, LH*                   |                      |               | A132V4257S         | 1          |
| 09l        | Trim Finisher, rear quarter, suedetex, LH*                  |                      | MY12          | A132V4745S         | 1          |
| 10         | Access Cover, ECM, fuses & relays, cloth                    |                      |               | A132V0496S         | 1          |
| 10a        | Access Cover, ECM, fuses & relays, leather*                 |                      |               | A132V0254S         | 1          |
| 11         | Quarter Turn Fastener, slotted hd., cover to panel          |                      |               | A132W6040F         | 1          |
| 12         | Quarter Turn Fastener Receptacle, clip on                   |                      |               | A132W6041F         | 1          |
| 13         | Screw, No. 6 x 0.75", flg. pozi. black., trim panels fixing |                      |               | A075W5028Z         | 12         |
| 14         | Washer, flat, M5 x 10 x 0.9, trim panels fixing             |                      |               | A075W4011Z         | 12         |
| 15         | Cover, harness, RH  |                      |               | A132U4218F         | 1          |
| 15a        | Cover, harness, LH  |                      |               | A132U4217F         | 1          |
| 16         | Firtree Fastener, cover to chassis                          |                      |               | A116W6722F         | 4          |
| 17         | Double Sided Tape, cover to chassis                         | Cut to fit           |               | A117B6043V         | As req.    |
| 18         | Clip, trim  |                      |               | A132V6072S         | 1          |
| 19         | Escuteon Seat Belt  | 'Lotus' logo         |               | A132V0130F         | 2          |
| 19a        | Escuteon Seat Belt  | No logo              |               | B132V0130F         | 2          |
| 20         | Blanking Plate  | See 17.27 for grille | No subwoofer  | A132M0178K         | 1          |

\*Use Trim Order Form LSL654





**EVORA**  
15.12

2010/01

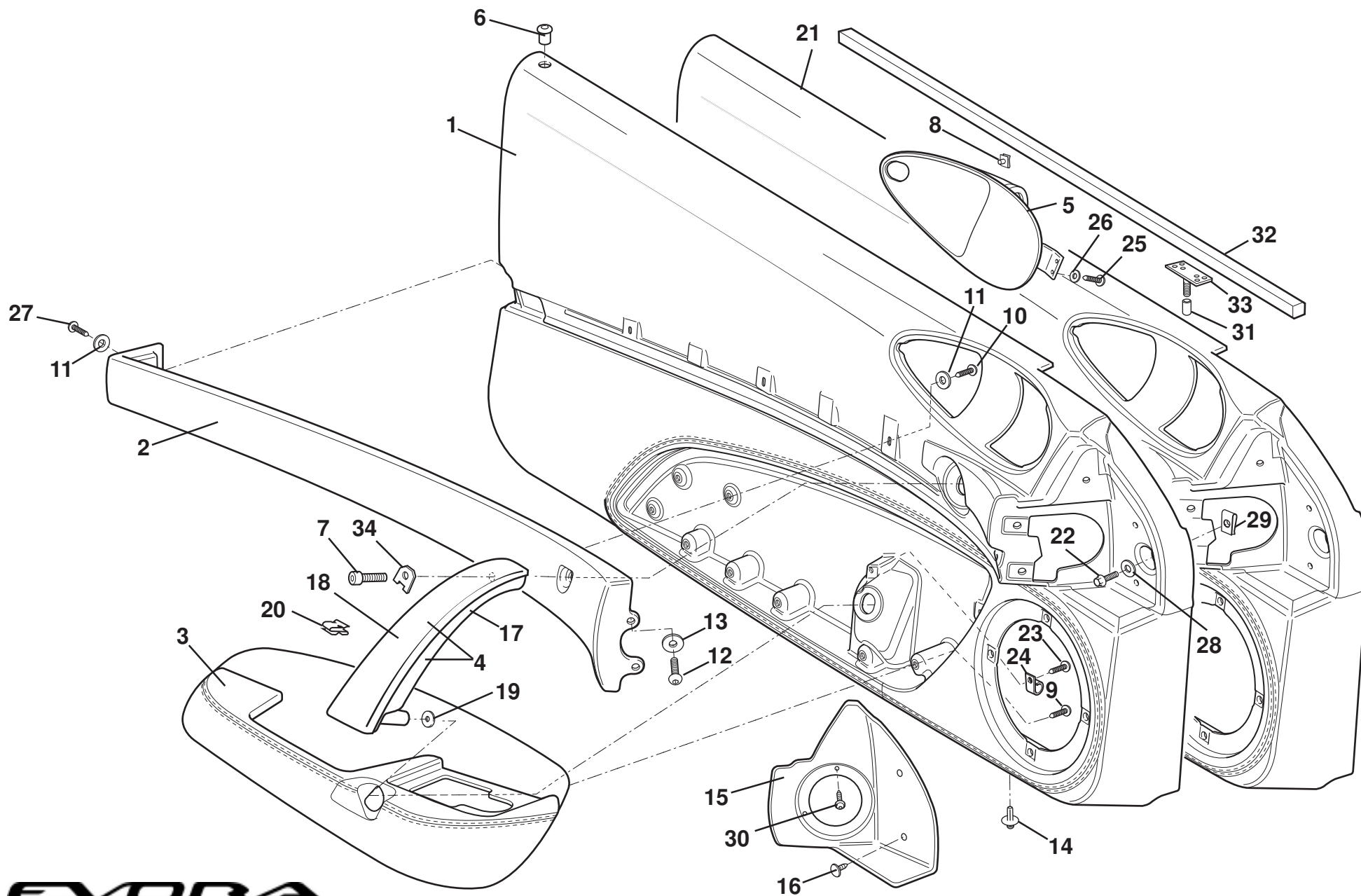
# Service Parts List

# EVORA



## Function Code 15.12 Interior Luggage Retention, Evora 2 seat

| <u>Dep</u> | <u>Part Description</u>                        | <u>Remarks</u> | <u>Option</u> | <u>Part Number</u> | <u>Qty</u> |
|------------|--|----------------|---------------|--------------------|------------|
| 01         | Belt, luggage retention                        |                |               | A132V0226F         | 1          |
| 02         | Bracket, luggage retention, RH                 |                |               | A132V4222F         | 1          |
| 03         | Bracket, luggage retention, LH                 |                |               | A132V4221F         | 1          |
| 04         | Cambolt, M10 x 23, hex. hd., belt to brackets  |                |               | A132W2049F         | 2          |
| 05         | Nyloc Nut, M10, flange, belt to brackets       |                |               | B111W3151F         | 2          |
| 06         | Net Assembly, interior luggage retention       |                |               | B132V0177J         | 1          |
| 07         | 'T' Anchor, stowage net retention              |                |               | A132V6037F         | 6          |
| 08         | Screw, M4 x 35, pan pozi. black, anchor fixing |                |               | A132W5031F         | 6          |
| 09         | Jacknut, M4, anchor fixing                     |                |               | A132W6045F         | 6          |
| 10         | Extrusion, luggage retention trim              |                |               | B132V0128F         | 1          |
| 11         | End Cap, extrusion LH                          |                |               | A132V4075F         | 1          |
| 12         | End Cap, extrusion RH                          |                |               | A132V4076F         | 1          |
| 13         | Screw, M5 x 20, button hd., trim retaining     |                |               | A082W7173F         | 6          |
| 14         | Rubber Extrusion, luggage retention trim       |                |               | A132V6033V         | 1.1M       |



**EVORA**

**15.13**

*Updated 1st November 2013*

# Service Parts List

# EVORA



## Function Code 15.13 Front Door Trims

| <u>Dep</u> | <u>Part Description</u>                                    | <u>Remarks</u>         | <u>Option</u>      | <u>Part Number</u> | <u>Qty</u> |
|------------|--|------------------------|--------------------|--------------------|------------|
| 01         | Front Door Trim Panel Assembly, RH, RHD, cloth             | Doors with sill button | Up to vin CH_10629 | <b>A132V4570S</b>  | 1          |
| 01a        | Front Door Trim Panel Assembly, LH, RHD, cloth             | Doors with sill button | Up to vin CH_10629 | <b>A132V4569S</b>  | 1          |
| 01b        | Front Door Trim Panel Assembly, RH, LHD, cloth             | Doors with sill button | Up to vin CH_10629 | <b>A132V4572S</b>  | 1          |
| 01c        | Front Door Trim Panel Assembly, LH, LHD, cloth             | Doors with sill button | Up to vin CH_10629 | <b>A132V4571S</b>  | 1          |
| 01d        | Front Door Trim Panel Assembly, RH, RHD, leather*          | Doors with sill button | Up to vin CH_10629 | <b>A132V4081J</b>  | 1          |
| 01e        | Front Door Trim Panel Assembly, LH, RHD, leather*          | Doors with sill button | Up to vin CH_10629 | <b>A132V4082J</b>  | 1          |
| 01f        | Front Door Trim Panel Assembly, RH, LHD, leather*          | Doors with sill button | Up to vin CH_10629 | <b>A132V4078J</b>  | 1          |
| 01g        | Front Door Trim Panel Assembly, LH, LHD, leather*          | Doors with sill button | Up to vin CH_10629 | <b>A132V4077J</b>  | 1          |
| 01h        | Front Door Trim Panel Assembly, RH, RHD, leather/suedetex* | Doors with sill button | Up to vin CH_10629 | <b>A132V5138S</b>  | 1          |
| 01i        | Front Door Trim Panel Assembly, LH, RHD, leather/suedetex* | Doors with sill button | Up to vin CH_10629 | <b>A132V5137S</b>  | 1          |
| 01j        | Front Door Trim Panel Assembly, RH, LHD, leather/suedetex* | Doors with sill button | Up to vin CH_10629 | <b>A132V5136S</b>  | 1          |
| 01k        | Front Door Trim Panel Assembly, LH, LHD, leather/suedetex* | Doors with sill button | Up to vin CH_10629 | <b>A132V5135S</b>  | 1          |
| 02         | Trim Panel, LH, leather*                                   |                        |                    | <b>A132U4179J</b>  | 1          |
| 02a        | Trim Panel, RH, leather*                                   |                        |                    | <b>A132U4180J</b>  | 1          |
| 02b        | Trim Panel, LH, suedetex*                                  |                        |                    | <b>A132V4819S</b>  | 1          |
| 02c        | Trim Panel, RH, suedetex*                                  |                        |                    | <b>A132V4820S</b>  | 1          |

EVORA

**Function Code 15.13 Front Door Trims**

| <u>Dep</u> | <u>Part Description</u>   | <u>Remarks</u> | <u>Option</u> | <u>Part Number</u> | <u>Qty</u> |
|------------|---|----------------|---------------|--------------------|------------|
| 02d        | Trim Panel, LH, leather, oyster                                 |                |               | A132V4309S         | 1          |
| 02e        | Trim Panel, LH, leather, graphite                               |                |               | A132V4311S         | 1          |
| 03         | Stowage Pocket/Switch Panel Assembly, trimmed, RH<br>RHD, cloth |                |               | A132V4574S         | 1          |
| 03a        | Stowage Pocket/Switch Panel Assembly, trimmed, LH<br>RHD, cloth |                |               | A132V4573S         | 1          |
| 03b        | Stowage Pocket/Switch Panel Assembly, trimmed, RH<br>LHD, cloth |                |               | A132V4576S         | 1          |
| 03c        | Stowage Pocket/Switch Panel Assembly, trimmed, LH<br>LHD, cloth |                |               | A132V4575S         | 1          |
| 03d        | Stowage Pocket/Switch Panel Assembly, RH RHD, leather*          |                |               | A132V4083J         | 1          |
| 03e        | Stowage Pocket/Switch Panel Assembly, LH RHD, leather*          |                |               | A132V4084J         | 1          |
| 03f        | Stowage Pocket/Switch Panel Assembly, RH LHD, leather*          |                |               | A132U4184J         | 1          |
| 03g        | Stowage Pocket/Switch Panel Assembly, LH LHD, leather*          |                |               | A132U4183J         | 1          |
| 03h        | Stowage Pocket/Switch Panel Assembly, RH RHD,<br>suedetex*      |                |               | A132V4846S         | 1          |
| 03i        | Stowage Pocket/Switch Panel Assembly, LH RHD,<br>suedetex*      |                |               | A132V4845S         | 1          |
| 03j        | Stowage Pocket/Switch Panel Assembly, RH LHD,<br>suedetex*      |                |               | A132V4848S         | 1          |
| 03k        | Stowage Pocket/Switch Panel Assembly, LH LHD,<br>suedetex*      |                |               | A132V4847S         | 1          |
| 04         | Door Pull Handle Assembly, trimmed inner, LH, leather*          |                |               | A132V4201J         | 1          |
| 04a        | Door Pull Handle Assembly, trimmed inner, RH, leather*          |                |               | A132V4202J         | 1          |



**Function Code 15.13 Front Door Trims**

| <u>Dep</u> | <u>Part Description</u>                                    | <u>Remarks</u>    | <u>Option</u>               | <u>Part Number</u> | <u>Qty</u> |
|------------|--|-------------------|-----------------------------|--------------------|------------|
| 04b        | Door Pull Handle Assembly, trimmed, LH, suedetex           |                   | Suedetex Grey/Black leather | <b>A132V5201S</b>  | 1          |
| 04c        | Door Pull Handle Assembly, trimmed, RH, suedetex           |                   | Suedetex Grey/Black leather | <b>A132V5202S</b>  | 1          |
| 04d        | Door Pull Handle Assembly, cloth trimmed inner, LH         |                   | Cloth/Black leather         | <b>A132V5543S</b>  | 1          |
| 04e        | Door Pull Handle Assembly, cloth trimmed inner, RH         |                   | Cloth/Black leather         | <b>A132V5544S</b>  | 1          |
| 04f        | Door Pull Handle Assembly, trimmed, LH, leather            |                   | MY12, Black                 | <b>A132V5055S</b>  | 1          |
| 04g        | Door Pull Handle Assembly, trimmed, RH, leather            |                   | MY12, Black                 | <b>A132V5056S</b>  | 1          |
| 05         | Carrier, face level vent, door                             | Also see 18.13    |                             | <b>A132U0184F</b>  | 2          |
| 06         | Escutcheon, sill button                                    | Also see 10.17    |                             | <b>A132V0195F</b>  | 2          |
| 06a        | Escutcheon, sill button, black                             |                   | MY12                        | <b>A132V0380F</b>  | 2          |
| 07         | Bolt, M8 x 30, button skt. hd. handle to panel             |                   |                             | <b>A132W7006F</b>  | 4          |
| 08         | Spirenut, no.6, carrier to panel                           |                   |                             | <b>A075W6014Z</b>  | 4          |
| 09         | Screw, no. 6 x 3/4, flg. pozi., pocket to panel            |                   |                             | <b>A075W5028Z</b>  | 18         |
| 10         | Screw, no. 8 x 1/2, flg. pozi., insert to panel            |                   |                             | <b>A117W5050F</b>  | 6          |
| 11         | Washer, flat, M6 x 12.01 x 1.4, insert to panel            |                   |                             | <b>A075W4013Z</b>  | 10         |
| 12         | Screw, M6 x 20, button skt. hd. S/S black, insert to panel |                   |                             | <b>A100W7096F</b>  | 4          |
| 13         | Washer, flat, M6 x 18 x 1, insert to panel                 |                   |                             | <b>B082W4018F</b>  | 4          |
| 14         | Snap Sac, trim panel to door                               | Use with Item 14a |                             | <b>A132W6084F</b>  | 10         |
| 14a        | Rivet, snap sac, trim panel                                |                   |                             | <b>A132W6085F</b>  | 10         |
| 15         | Door Closer Panel, LH                                      | Untrimmed         |                             | <b>B132U4143F</b>  | 1          |
| 15a        | Door Closer Panel, RH                                      | Untrimmed         |                             | <b>B132U4144F</b>  | 1          |
| 15b        | Door Closer Panel, LH, leather*                            |                   | MY12                        | <b>A132V5575S</b>  | 1          |



**Function Code 15.13 Front Door Trims**

| <u>Dep</u> | <u>Part Description</u>                       | <u>Remarks</u> | <u>Option</u>       | <u>Part Number</u> | <u>Qty</u> |
|------------|---|----------------|---------------------|--------------------|------------|
| 15c        | Door Closer Panel, RH, leather*               |                | MY12                | A132V5576S         | 1          |
| 16         | Firtree Fastener, closer panel to door        |                |                     | A132W6006F         | 4          |
| 17         | Door Pull Handle Inner, trimmed, LH, leather  |                | Black               | A132V4363S         | 1          |
| 17a        | Door Pull Handle Inner, trimmed, RH, leather  |                | Black               | A132V4364S         | 1          |
| 17b        | Door Pull Handle Inner, trimmed, LH, leather  |                | MY12, Black         | A132V5297S         | 1          |
| 17c        | Door Pull Handle Inner, trimmed, RH, leather  |                | MY12, Black         | A132V5298S         | 1          |
| 17d        | Door Pull Handle Inner, trimmed, LH, leather* |                | MY12                | A132V4199F         | 1          |
| 17e        | Door Pull Handle Inner, trimmed, RH, leather* |                | MY12                | A132V4200F         | 1          |
| 17f        | Door Pull Handle Inner, trimmed, RH, leather  |                | MY12, Venom Red     | A132V5060S         | 1          |
| 17g        | Door Pull Handle Inner, trimmed, LH, suedetex |                | Suedetex Slate Grey | A132V5203S         | 1          |
| 17h        | Door Pull Handle Inner, trimmed, RH, suedetex |                | Suedetex Slate Grey | A132V5204S         | 1          |
| 17i        | Door Pull Handle Inner, trimmed, LH, cloth    |                | Cloth               | A132V5541S         | 1          |
| 17j        | Door Pull Handle Inner, trimmed, RH, cloth    |                | Cloth               | A132V5542S         | 1          |
| 18         | Cover, door pull handle, LH                   | Untrimmed      |                     | A132V4147F         | 1          |
| 18a        | Cover, door pull handle, RH                   | Untrimmed      |                     | A132V4148F         | 1          |
| 18b        | Cover, door pull handle, LH, leather          |                | MY12, Black         | A132V5069S         | 1          |
| 18c        | Cover, door pull handle, RH, leather          |                | MY12, Black         | A132V5070S         | 1          |
| 18d        | Cover, door pull handle, LH, leather*         |                | MY12                | A132V5071S         | 1          |
| 18e        | Cover, door pull handle, RH, leather*         |                | MY12                | A132V5072S         | 1          |
| 18f        | Cover, door pull handle, LH, leather          |                | MY12, Ash Grey      | A132V5075S         | 1          |
| 18g        | Cover, door pull handle, RH, leather          |                | MY12, Cognac Brown  | A132V5078S         | 1          |



**Function Code 15.13 Front Door Trims**

| <u>Dep</u> | <u>Part Description</u>                                    | <u>Remarks</u>            | <u>Option</u>           | <u>Part Number</u> | <u>Qty</u> |
|------------|--|---------------------------|-------------------------|--------------------|------------|
| 19         | Washer 9 x 28 x 3, handle to panel                         |                           |                         | <b>A124B0255F</b>  | 2          |
| 20         | 'S' Clip, cover to handle                                  |                           |                         | <b>A132W6092F</b>  | 8          |
| 21         | Front Door Trim Panel Assembly, RH, RHD, leather*          | Doors without sill button | MY12, from vin CH_10630 | <b>A132V5206S</b>  | 1          |
| 21a        | Front Door Trim Panel Assembly, LH, RHD, leather*          | Doors without sill button | MY12, from vin CH_10630 | <b>A132V5205S</b>  | 1          |
| 21b        | Front Door Trim Panel Assembly, RH, LHD, leather*          | Doors without sill button | MY12, from vin CH_10630 | <b>A132V5208S</b>  | 1          |
| 21c        | Front Door Trim Panel Assembly, LH, LHD, leather*          | Doors without sill button | MY12, from vin CH_10630 | <b>A132V5207S</b>  | 1          |
| 21d        | Front Door Trim Panel Assembly, RH, RHD, leather/suedetex* | Doors without sill button | MY12, from vin CH_10630 | <b>A132V5250S</b>  | 1          |
| 21e        | Front Door Trim Panel Assembly, LH, RHD, leather/suedetex* | Doors without sill button | MY12, from vin CH_10630 | <b>A132V5249S</b>  | 1          |
| 21f        | Front Door Trim Panel Assembly, RH, LHD, leather/suedetex* | Doors without sill button | MY12, from vin CH_10630 | <b>A132V5252S</b>  | 1          |
| 21g        | Front Door Trim Panel Assembly, LH, LHD, leather/suedetex* | Doors without sill button | MY12, from vin CH_10630 | <b>A132V5251S</b>  | 1          |
| 21h        | Front Door Trim Panel Assembly, RH, RHD, cloth             | Doors without sill button | MY12, from vin CH_10630 | <b>A132V5254S</b>  | 1          |
| 21i        | Front Door Trim Panel Assembly, LH, RHD, cloth             | Doors without sill button | MY12, from vin CH_10630 | <b>A132V5253S</b>  | 1          |
| 21j        | Front Door Trim Panel Assembly, RH, LHD, cloth             | Doors without sill button | MY12, from vin CH_10630 | <b>A132V5256S</b>  | 1          |
| 21k        | Front Door Trim Panel Assembly, LH, LHD, cloth             | Doors without sill button | MY12, from vin CH_10630 | <b>A132V5255S</b>  | 1          |
| 22         | Screw M5 x 16 hex flg, door trim to door                   |                           |                         | <b>A132W5016F</b>  | 2          |
| 23         | Screw, no. 8 x 1.1/2", flg. pozi., pocket to panel         |                           |                         | <b>A132W5032F</b>  | 2          |
| 24         | 'P' Clip   |                           |                         | <b>A075W6228Z</b>  | 2          |
| 25         | Screw, No. 6 x 1/2", flg. pozi., carrier, face level vent  |                           |                         | <b>A075W5012Z</b>  | 4          |

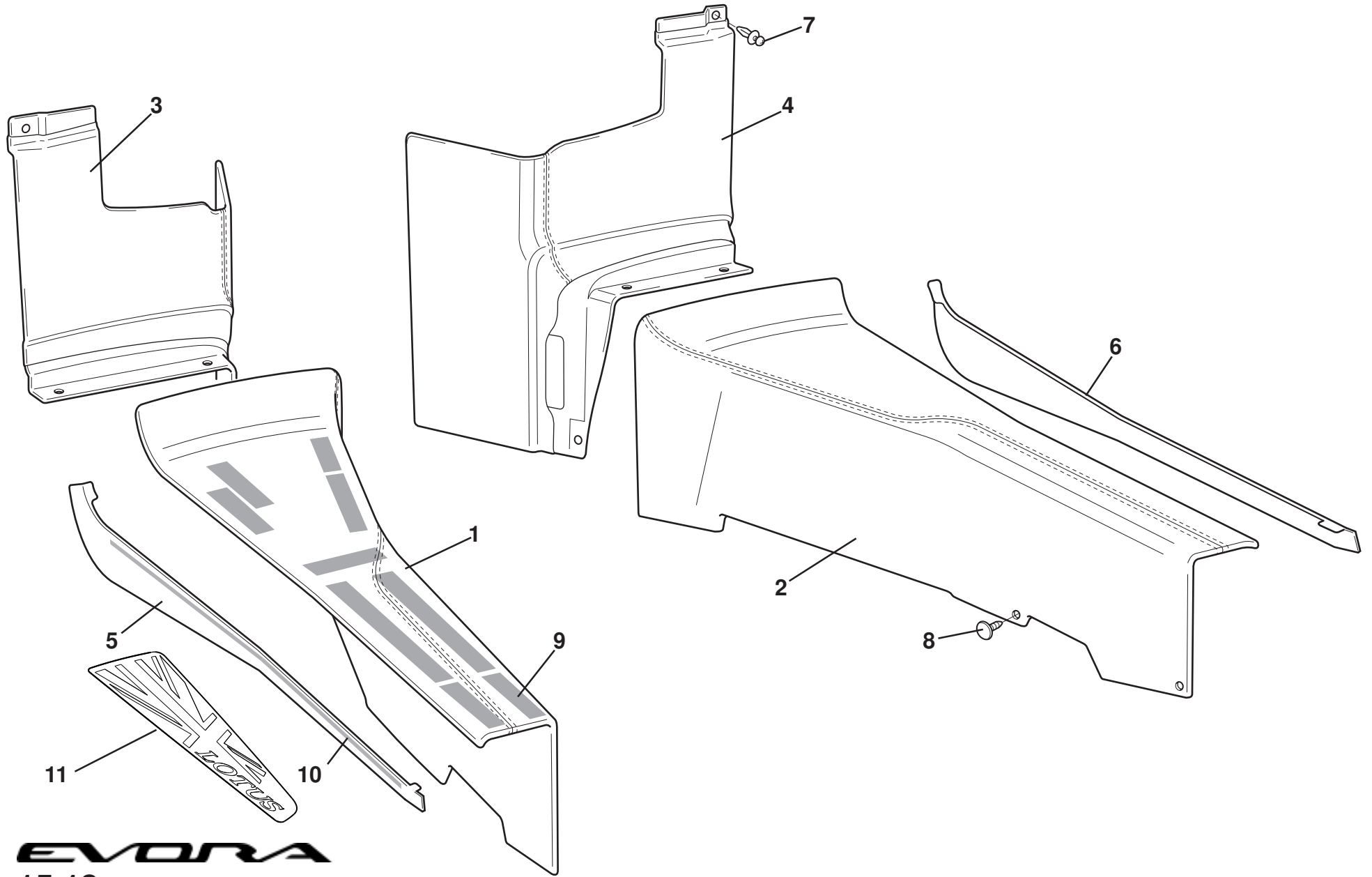


---

**Function Code 15.13 Front Door Trims**

| <u>Dep</u> | <u>Part Description</u>                            | <u>Remarks</u>                   | <u>Option</u> | <u>Part Number</u> | <u>Qty</u> |
|------------|--|----------------------------------|---------------|--------------------|------------|
| 26         | Washer, flat, 3/16 x 1/2, carrier, face level vent |                                  |               | <b>A075W4000Z</b>  | 4          |
| 27         | Screw, no. 8 x 1.1/2", flg. pozi., insert to panel |                                  |               | <b>A075W5012Z</b>  | 4          |
| 28         | Washer, flat, M6 x 18 x 1, door trim to door       |                                  |               | <b>B082W4018F</b>  | 2          |
| 29         | Speed Nut M5, door trim to door                    |                                  |               | <b>B100W6372F</b>  | 2          |
| 30         | Screw, no. 6 x 3/4, flg. pozi., door trim panel    |                                  |               | <b>A075W5028Z</b>  | 2          |
| 31         | End Cap  | Part of door trim panel assembly |               | <b>A132W6101F</b>  | 3          |
| 32         | Foam Tape  | Part of door trim panel assembly |               | <b>A100B0431V</b>  | As req.    |
| 33         | Bighead M6, upper trim fixing                      | Part of door trim panel assembly |               | <b>A082W6521F</b>  | 3          |
| 34         | Door Pull Shaped Washer                            |                                  |               | <b>A132V0394F</b>  | 2          |
| 35         | Anti Squeak Tape                                   | Part of door trim panel assembly |               | <b>A132V6050V</b>  | As req.    |
|            |  | *Use Trim Order Form LSL654      |               |                    |            |

---



**EVORA**  
15.18

*Updated 3rd April 2017*

# Service Parts List

# EVORA



## Function Code 15.18 Interior Trim, Chassis Trim Panels

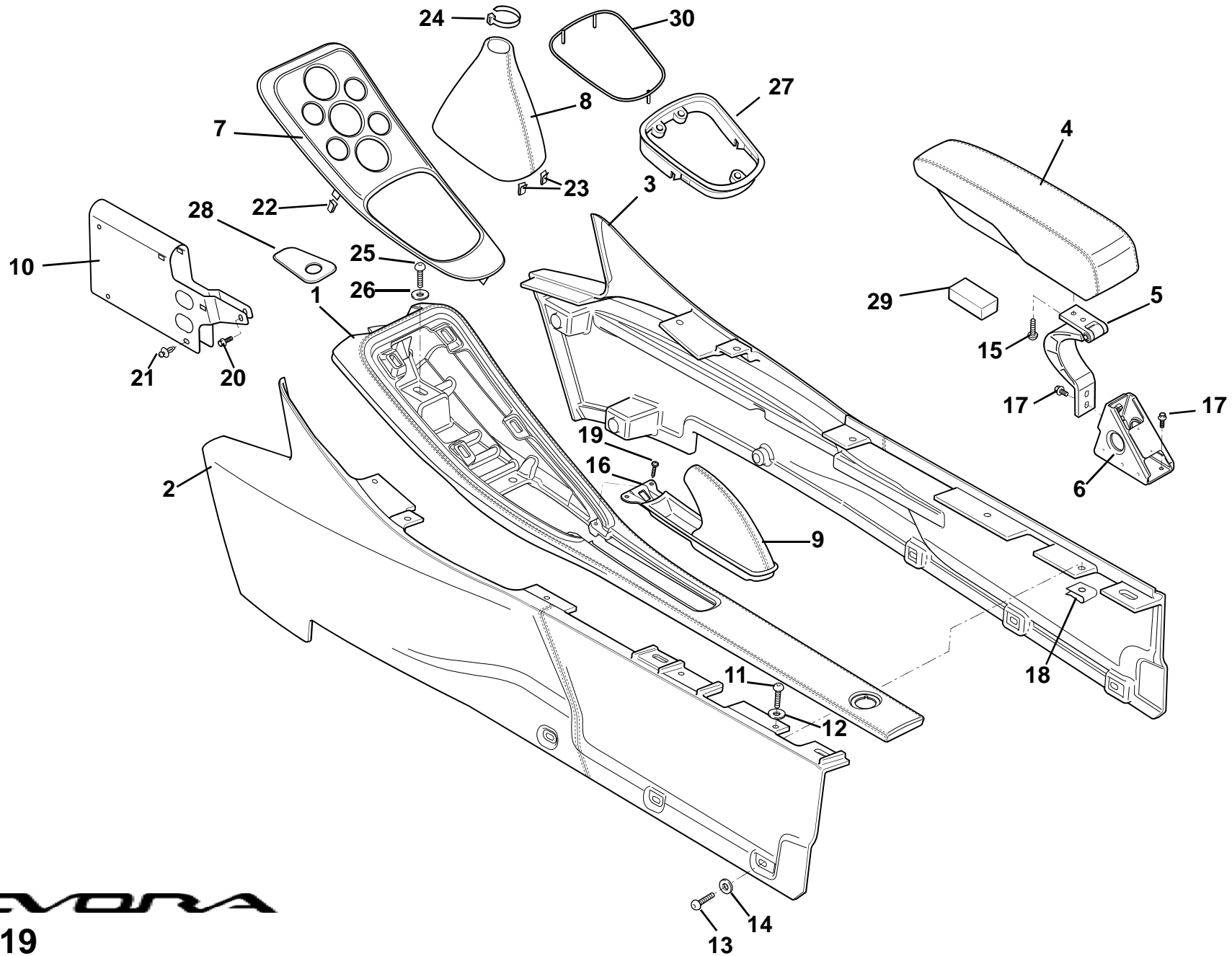
| <u>Dep</u> | <u>Part Description</u>                               | <u>Remarks</u>               | <u>Option</u>            | <u>Part Number</u> | <u>Qty</u> |
|------------|---|------------------------------|--------------------------|--------------------|------------|
| 01         | Sill Trim Panel Assembly, LH, cloth                   |                              |                          | A132V4583S         | 1          |
| 01a        | Sill Trim Panel Assembly, LH, leather*                |                              | Black                    | B132U4053J         | 1          |
| 01b        | Sill Trim Panel Assembly, LH, cloth                   |                              | MY12                     | A132V5381S         | 1          |
| 01c        | Sill Trim Panel Assembly, LH, leather*                |                              | MY12 Black               | A132V4515J         | 1          |
| 01d        | Sill Trim Panel Assembly, LH, leather*                | Brushed aluminium kick plate | MY12                     | A132V4523J         | 1          |
| 01e        | Sill Trim Panel Assembly, LH, leather*                | Dark aluminium kick plate    | MY12                     | A132V4525J         | 1          |
| 01f        | Sill Trim Panel Assembly, LH, leather, no kick plate* |                              | MY14                     | A132V5357S         | 1          |
| 02         | Sill Trim Panel Assembly, RH, cloth                   |                              |                          | A132V4584S         | 1          |
| 02a        | Sill Trim Panel Assembly, RH, leather*                |                              | Black                    | B132U4054J         | 1          |
| 02b        | Sill Trim Panel Assembly, RH, cloth                   |                              | MY12                     | A132V5382S         | 1          |
| 02c        | Sill Trim Panel Assembly, RH, leather*                |                              | MY12 Black               | A132V4516J         | 1          |
| 02d        | Sill Trim Panel Assembly, RH, leather*                | Brushed aluminium kick plate | MY12                     | A132V4524J         | 1          |
| 02e        | Sill Trim Panel Assembly, RH, leather*                | Dark aluminium kick plate    | MY12                     | A132V4526J         | 1          |
| 02f        | Sill Trim Panel Assembly, RH, leather, no kick plate* |                              | MY14                     | A132V5358S         | 1          |
| 03         | Trim Panel, 'A' post lower, LH, cloth                 |                              |                          | A132V4559S         | 1          |
| 03a        | Trim Panel, 'A' post lower, LH, leather*              |                              | Black                    | A132V4563S         | 1          |
| 03b        | Trim Panel, 'A' post lower, LH, leather*              |                              | MY12                     | A132V4865S         | 1          |
| 03h        | Trim Panel, 'A' post lower, LH, suedetex*             |                              | MY12 Suedetex slate grey | A132V4877S         | 1          |

EVORA

**Function Code 15.18 Interior Trim, Chassis Trim Panels**

| <u>Dep</u> | <u>Part Description</u>                                   | <u>Remarks</u> | <u>Option</u>            | <u>Part Number</u> | <u>Qty</u> |
|------------|---|----------------|--------------------------|--------------------|------------|
| 04         | Trim Panel, 'A' post lower, RH, cloth                     |                |                          | <b>A132V4560S</b>  | 1          |
| 04a        | Trim Panel, 'A' post lower, RH, leather*                  |                | Black                    | <b>A132V4564S</b>  | 1          |
| 04b        | Trim Panel, 'A' post lower, LH, leather*                  |                | MY12                     | <b>A132V4866S</b>  | 1          |
| 04h        | Trim Panel, 'A' post lower, LH, suedetex*                 |                | MY12 Suedetex slate grey | <b>A132V4878S</b>  | 1          |
| 05         | Trim, bodyside door sill, LH                              |                |                          | <b>A132U4429F</b>  | 1          |
| 06         | Trim, bodyside door sill, RH                              |                |                          | <b>A132U4430F</b>  | 1          |
| 07         | Plastic Fastener, 'A' post trim panel to chassis          |                |                          | <b>A100W6391F</b>  | 8          |
| 08         | Fir Tree Fastener, sill trim panel to chassis             |                |                          | <b>A124W6812F</b>  | 4          |
| 09         | Grip Lok, self adhesive, loop, 20mm                       | Cut to fit     |                          | <b>A111V6019V</b>  | 1.8M       |
| 09a        | Grip Lok, self adhesive, hook, 20mm                       | Cut to fit     |                          | <b>A111V6020V</b>  | 1.8M       |
| 10         | Double Sided Tape, 12.7mm, bodyside trim panel to chassis | Cut to fit     |                          | <b>C075U6071V</b>  | 1.45M      |
| 11         | Kick Plate LH, brushed aluminium                          |                |                          | <b>A132V4471F</b>  | 1          |
| 11a        | Kick Plate RH, brushed aluminium                          |                |                          | <b>A132V4472F</b>  | 1          |
| 11b        | Kick Plate LH, dark brushed aluminium                     |                |                          | <b>A132V4475F</b>  | 1          |
| 11c        | Kick Plate RH, dark brushed aluminium                     |                |                          | <b>A132V4476F</b>  | 1          |

\*Use Trim Order Form LSL654



**EVORA**

**15.19**

*Updated 4th February 2019*

# Service Parts List

# EVORA



## Function Code 15.19 Centre Tunnel Trim, Gear Lever Gaiters/Shrouds

| <u>Dep</u> | <u>Part Description</u>                       | <u>Remarks</u>                | <u>Option</u> | <u>Part Number</u> | <u>Qty</u> |
|------------|---|-------------------------------|---------------|--------------------|------------|
| 01         | Centre Console, upper, no armrest, leather*   |                               |               | A132V0070J         | 1          |
| 01a        | Centre Console, upper, armrest, leather*      |                               |               | A132V0216J         | 1          |
| 01b        | Centre Console, upper, no armrest, suedetex*  |                               | MY12          | A132V0657S         | 1          |
| 01c        | Centre Console, upper, armrest, suedetex*     |                               | MY12          | A132V0668S         | 1          |
| 02         | Centre Console, side, LH no armrest, cloth*   | Without power socket aperture |               | A132V4561S         | 1          |
| 02a        | Centre Console, side, LH no armrest, leather* | Without power socket aperture | Black         | A132V4431S         | 1          |
| 02b        | Centre Console, side, LH armrest, leather*    | Without power socket aperture | Black         | A132V4433S         | 1          |
| 02c        | Centre Console, side, LH no armrest, cloth*   | With power socket aperture    | MY11          | A132V4897S         | 1          |
| 02d        | Centre Console, side, LH no armrest, leather* | With power socket aperture    | MY11,Black    | A132V4899S         | 1          |
| 02e        | Centre Console, side, LH armrest, leather*    | With power socket aperture    | MY11,Black    | A132V4901S         | 1          |
| 02f        | Centre Console, side, LH armrest, leather*    | With power socket aperture    | MY12          | A132V4961S         | 1          |
| 02g        | Centre Console, side, LH armrest, suedetex*   | With power socket aperture    | MY12          | A132V4973S         | 1          |
| 03         | Centre Console, side, RH no armrest, cloth*   | Without power socket aperture |               | A132V4562S         | 1          |
| 03a        | Centre Console, side, RH no armrest, leather* | Without power socket aperture | Black         | A132V4432S         | 1          |
| 03b        | Centre Console, side, RH armrest, leather*    | Without power socket aperture | Black         | A132V4434S         | 1          |
| 03c        | Centre Console, side, RH no armrest, cloth*   | With power socket aperture    | MY11          | A132V4898S         | 1          |
| 03d        | Centre Console, side, RH no armrest, leather* | With power socket aperture    | MY11,Black    | A132V4900S         | 1          |
| 03e        | Centre Console, side, RH armrest, leather*    | With power socket aperture    | MY11,Black    | A132V4902S         | 1          |

EVORA

**Function Code 15.19 Centre Tunnel Trim, Gear Lever Gaiters/Shrouds**

| <u>Dep</u> | <u>Part Description</u>                         | <u>Remarks</u>                                | <u>Option</u>                     | <u>Part Number</u> | <u>Qty</u> |
|------------|---|---|-----------------------------------|--------------------|------------|
| 03f        | Centre Console, side, RH armrest, leather*      | With power socket aperture                    | MY12                              | A132V4962S         | 1          |
| 03g        | Centre Console, side, RH armrest, suedetex      | With power socket aperture                    | MY12                              | A132V4974S         | 1          |
| 04         | Armrest Assembly, leather*                      |   | A132V0271S R/B                    | D132U0159J         | 1          |
| 04a        | Armrest Assembly, suedetex*                     |   | MY12                              | A132V0687S         | 1          |
| 04b        | Armrest Assembly, leather                       |   | Paprika                           | A132V0272S         | 1          |
| 05         | Hinge Assembly, armrest                         |   |                                   | C132U0162J         | 1          |
| 06         | Bracket , armrest mounting                      |   |                                   | A132V0209F         | 1          |
| 07         | Panel, HVAC finisher, manual                    | brushed aluminium, includes gearshift etching |                                   | A132V0087F         | 1          |
| 07a        | Panel, HVAC finisher, auto                      | brushed aluminium                             | Also manual with round knob       | A132U0656F         | 1          |
| 07b        | Panel, HVAC finisher, manual, black             | Includes gearshift etching                    | MY12 leather gear knob            | A132U0641F         | 1          |
| 07c        | Panel, HVAC finisher, auto, black               |   | MY12, Also manual with round knob | A132U0654F         | 1          |
| 08         | Gaiter, gearlever, leather                      | Requires bonding to finisher                  | Black                             | A132V0002K         | 1          |
| 08a        | Gaiter, gearlever, suedetex                     | Requires bonding to finisher                  |                                   | A132V0349K         | 1          |
| 08b        | Assembly Gaiter Gearlever, leather*             |   | MY12                              |                    | 1          |
| 08c        | Assembly Gaiter Gearlever, suedetex*            |   |                                   | A132V0752S         | 1          |
| 09         | Gaiter, parking brake lever, leather*           |   |                                   | A132V0266S         | 1          |
| 09a        | Gaiter, parking brake lever, suedetex*          |   |                                   | A132V0708S         | 1          |
| 10         | Footwell Divider Panel, alloy                   |   |                                   | A132U0178F         | 1          |
| 11         | Screw, M5 x 15, pan pozi. hd., console LH to RH |   |                                   | A082W5107F         | 6          |



**Function Code 15.19 Centre Tunnel Trim, Gear Lever Gaiters/Shrouds**

| <u>Dep</u> | <u>Part Description</u>                                      | <u>Remarks</u>             | <u>Option</u> | <u>Part Number</u> | <u>Qty</u> |
|------------|--|----------------------------|---------------|--------------------|------------|
| 12         | Washer, flat, M5 x 19 x 1.4, S/S black, console LH to RH     |                            |               | B082W4107F         | 6          |
| 13         | Screw, black, console to channel                             |                            |               | A082W5185F         | 6          |
| 14         | Washer, flat, black, console to channel                      |                            |               | A082W5107F         | 6          |
| 15         | Screw, M6 x 16, button hd. S/S, hinge to armrest             |                            |               | A122W5282F         | 2          |
| 16         | Insert, less gaiter  |                            |               | A132V0071F         | 1          |
| 17         | Bolt, M6 x 16, hex. flg. hd., hinge to bracket               |                            |               | A918W5208F         | 2          |
| 18         | Spirenut, M5, console LH to RH                               |                            |               | B100W6372F         | 6          |
| 19         | Screw, No.6 x 0.5", flg. pozi, black gaiter assy. fix.       |                            |               | A075W5012Z         | 2          |
| 20         | Screw, M5 x 16, hex., flg. hd., panel to chassis             |                            |               | A132W5016F         | 2          |
| 21         | Plastic Fastener, panel to chassis                           |                            |               | A111W6534F         | 4          |
| 22         | Spring Clip, panel retention                                 |                            |               | A132W6019F         | 5          |
| 23         | Edge Fastener, gearlever & park brake gaiter retention       | 6 off for gearlever gaiter |               | A132W6056F         | 10         |
| 24         | Cable Tie, gaiter to lever                                   |                            |               | A075W6038Z         | 1          |
| 25         | Screw, M5 x 20, button hd. S/S, console upper fixing         |                            |               | A082W7173F         | 1          |
| 26         | Washer, flat, M5 x 19 x 1.4, S/S black, console upper fixing |                            |               | B082W4107F         | 1          |
| 27         | Bezel Gearshift, manual                                      |                            | MY12          | A132V0374F         | 1          |
| 28         | Auxillary Power Bracket Assembly, leather*                   |                            |               | A132U0748J         | 1          |
| 28a        | Auxillary Power Bracket Assembly, suedetex*                  |                            | MY12          | A132V0790S         | 1          |
| 29         | Foam Insert Block,armrest                                    |                            |               | A132V0171F         | 1          |
| 29a        | Foam Insert Block trimmed, armrest*                          |                            |               | A132V0222S         | 1          |
| 30         | Retainer, gaiter gear shift                                  |                            | MY12          | A132V0392F         | 1          |



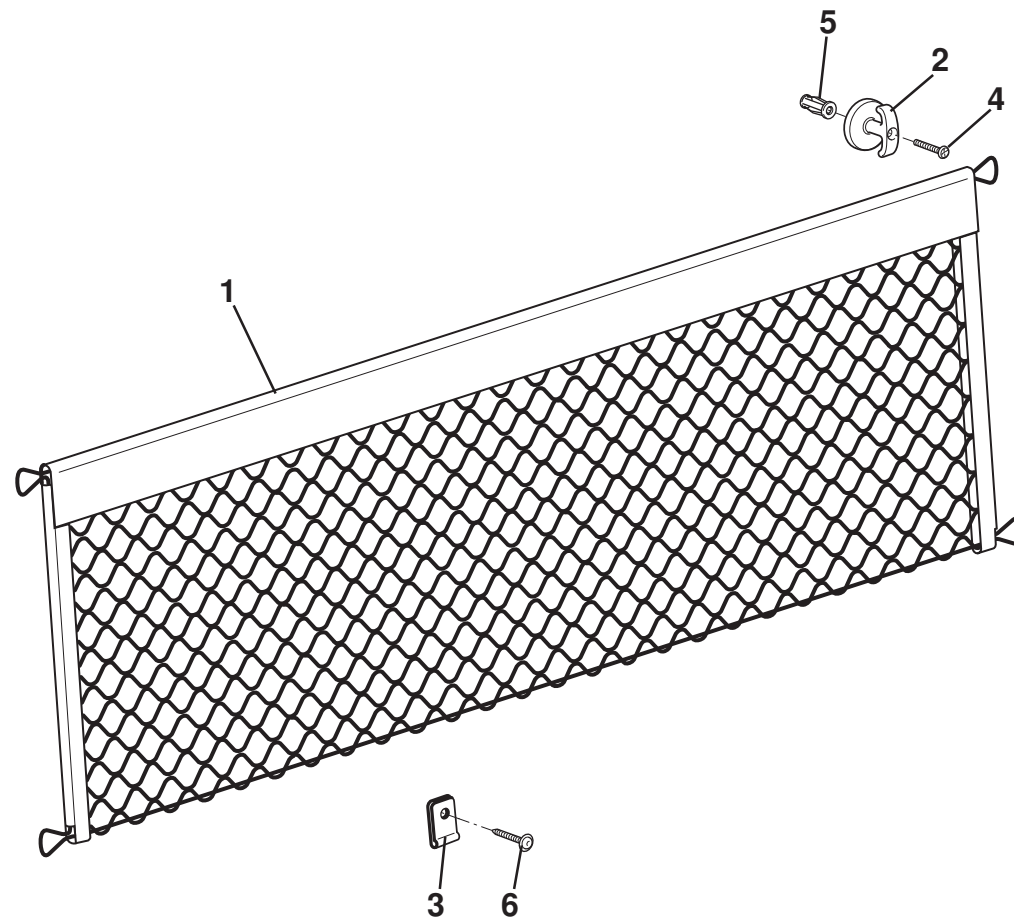


---

**Function Code 15.19 Centre Tunnel Trim, Gear Lever Gaiters/Shrouds**

| <u>Dep</u> | <u>Part Description</u> | <u>Remarks</u>              | <u>Option</u> | <u>Part Number</u> | <u>Qty</u> |
|------------|-------------------------|-----------------------------|---------------|--------------------|------------|
|            |                         | *Use Trim Order Form LSL654 |               |                    |            |

---



**EVORA**

**15.23**

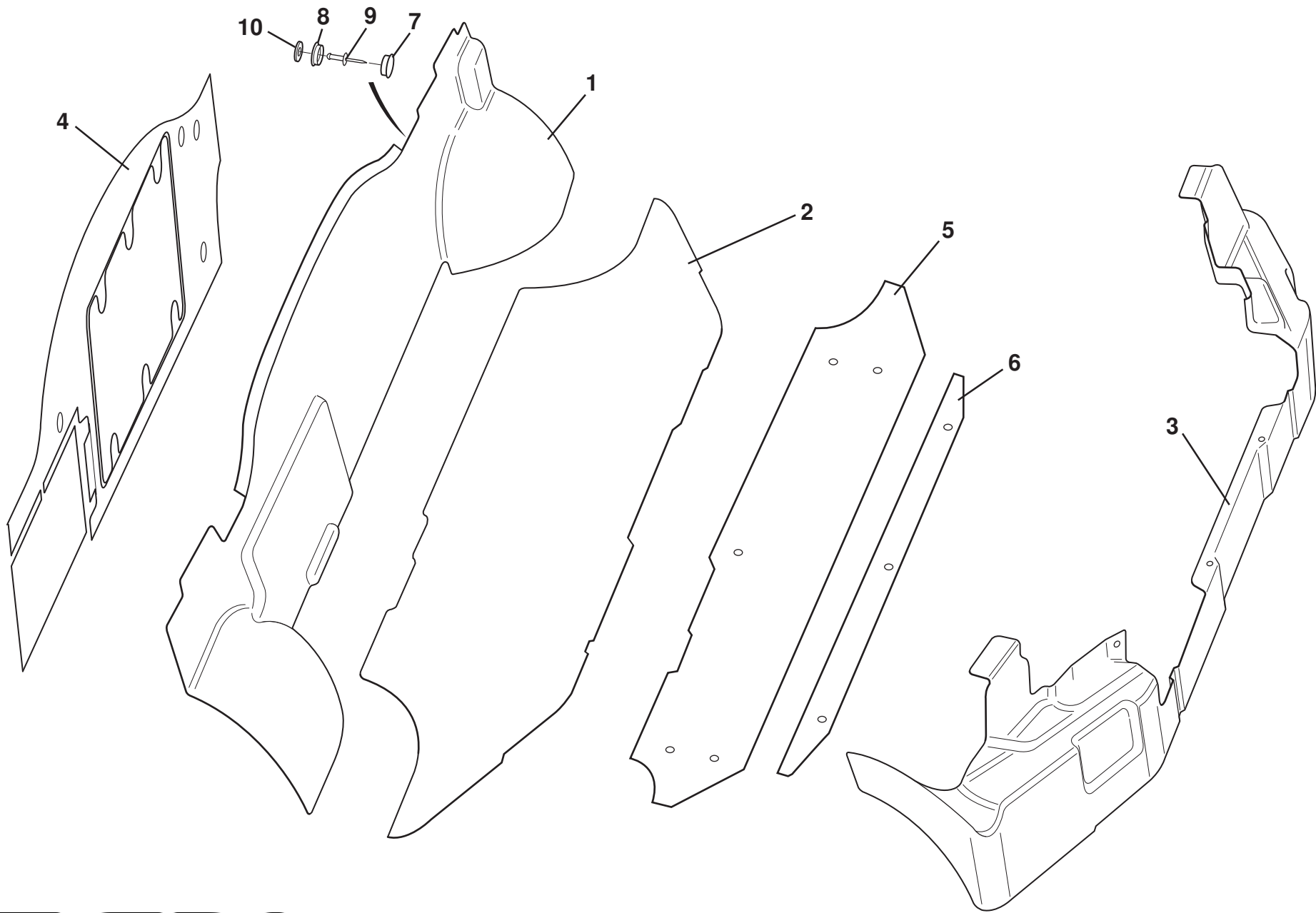
*2010/01*

# Service Parts List



## Function Code 15.23 Luggage Compartment Stowage

| <u>Dep</u> | <u>Part Description</u>                                    | <u>Remarks</u> | <u>Option</u> | <u>Part Number</u> | <u>Qty</u> |
|------------|--|----------------|---------------|--------------------|------------|
| 01         | Stowage Net, boot  |                |               | A132U0353F         | 1          |
| 02         | 'T' Anchor, stowage net retention                          |                |               | A132V6037F         | 4          |
| 03         | 'P' Clip, plastic, 4mm, stowage net lower retention        |                |               | A132W6048F         | 2          |
| 04         | Screw, M4 x 35, pan, pozi. hd. black, anchor fixing        |                |               | A132W5031F         | 4          |
| 05         | Jacknut, M4, anchor fixing                                 |                |               | A132W6045F         | 4          |
| 06         | Screw, M6 x 20, flg. button hd. S/S black, 'P' clip fixing |                |               | A100W7096F         | 2          |



**EVORA**

**15.24**

*Updated 2nd January 2014*

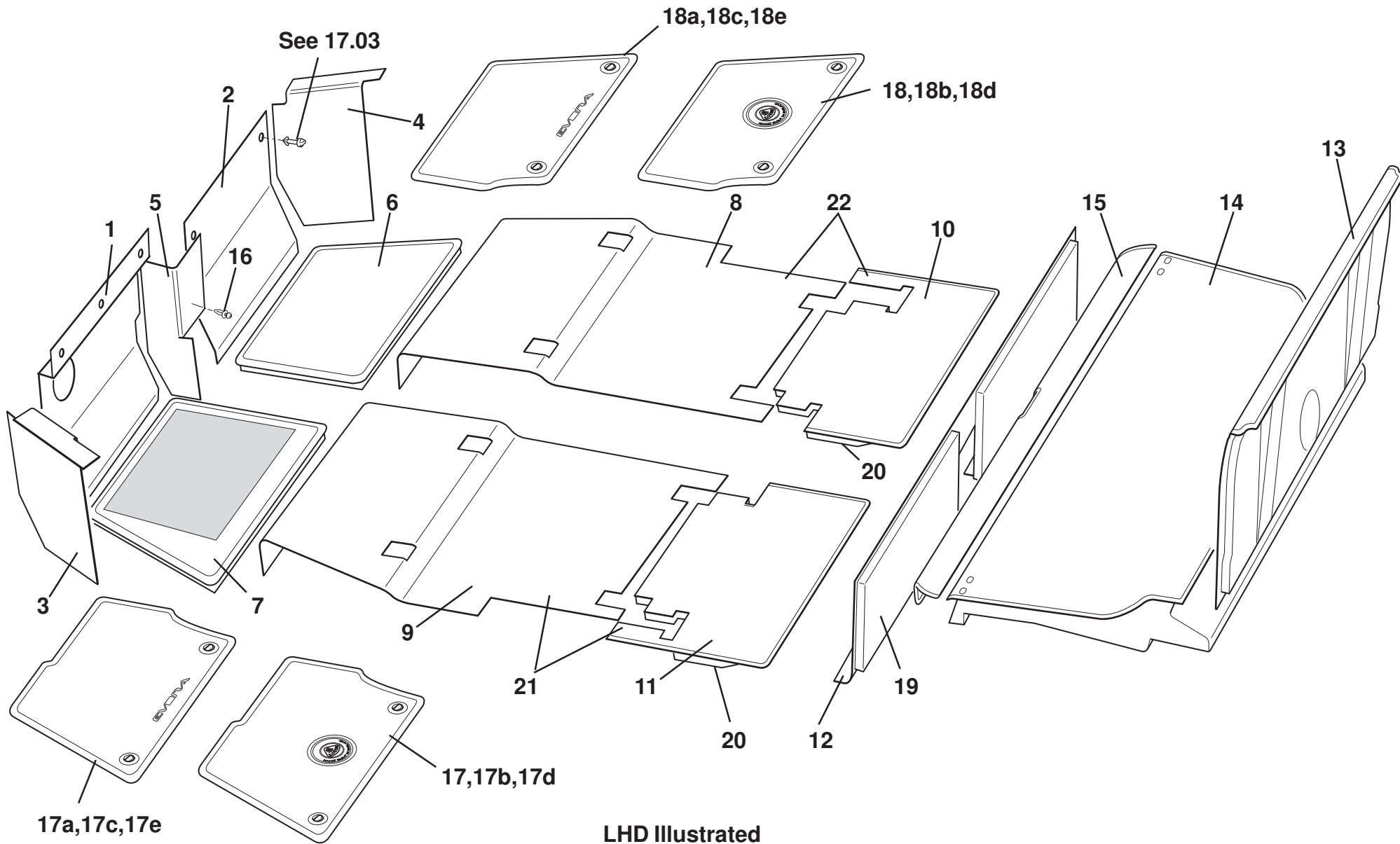
# Service Parts List



## Function Code 15.24 Luggage Compartment Carpet

| <u>Dep</u> | <u>Part Description</u>                       | <u>Remarks</u>   | <u>Option</u> | <u>Part Number</u> | <u>Qty</u> |
|------------|---|--|---------------|--------------------|------------|
| 01         | Carpet, moulded, bootbox front,without cutout | Not available, trim item 01a to fit around battery cover |               | C132U0049F         | 1          |
| 01a        | Carpet, moulded, bootbox front, with cutout   | Cutout for battery cover                                 |               | G132U0049F         | 1          |
| 02         | Carpet Assembly, bootbox floor                |  |               | B132U0286K         | 1          |
| 03         | Carpet, moulded, bootbox rear                 |  |               | B132U0285F         | 1          |
| 04         | Insulation, bootbox front                     | Trim to use  |               | B132U0535F         | 1          |
| 05         | Insulation, boot floor                        |  |               | B132U0164 F        | 1          |
| 06         | Insulation, boot floor, rear                  |  |               | A132U0355F         | 1          |
| 07         | Press Fastener Button                         |  |               | A132W6087F         | 3          |
| 08         | Press Fastener Socket                         |  |               | A111B6075F         | 3          |
| 09         | Pop Rivet                                     |  |               | A075W6090Z         | 3          |
| 10         | Washer Flat 18 x 3/8 x 21                     |  |               | A075W4001Z         | 3          |





LHD Illustrated

**EVORA**  
**15.30**

*Updated 1st December 2013*

# Service Parts List



## Function Code 15.30 Carpeting & Mats

| <u>Dep</u> | <u>Part Description</u>                                 | <u>Remarks</u>                           | <u>Option</u>     | <u>Part Number</u> | <u>Qty</u> |
|------------|---|--|-------------------|--------------------|------------|
| 01         | Carpet, front bulkhead, driver, LHD (except USA/Canada) | Seperate metal footrest, see note below* | A132V4009K R/B    | <b>A132V0361S</b>  | 1          |
| 01a        | Carpet, front bulkhead, driver, RHD                     | Seperate metal footrest, see note below* | A132V4010K R/B    | <b>A132V0362S</b>  | 1          |
| 01b        | Carpet, front bulkhead, driver, LHD                     | With foam footrest, see note below*      | B132V4009K R/B    | <b>C132V4009K</b>  | 1          |
| 01c        | Carpet, front bulkhead, driver, RHD                     | With foam footrest, see note below*      | B132V4010K R/B    | <b>C132V4010K</b>  | 1          |
| 01d        | Carpet, front bulkhead, driver, LHD                     |  | Auto              | <b>B132V0342K</b>  | 1          |
| 02         | Carpet, front bulkhead, passenger, LHD                  |  |                   | <b>A132V4019K</b>  | 1          |
| 02a        | Carpet, front bulkhead, passenger, RHD                  |  |                   | <b>A132V4020K</b>  | 1          |
| 02b        | Carpet, footrest, passenger, LHD                        |  | USA               | <b>A132V0313J</b>  | 1          |
| 03         | Carpet, sill, LH, LHD                                   |  |                   | <b>B132V4007K</b>  | 1          |
| 03a        | Carpet, sill, LH, RHD                                   |  |                   | <b>B132V4121K</b>  | 1          |
| 04         | Carpet, sill, RH, LHD                                   |  |                   | <b>B132V4008K</b>  | 1          |
| 04a        | Carpet, sill, RH, RHD                                   |  |                   | <b>B132V4122K</b>  | 1          |
| 05         | Carpet, centre console, LHD                             |  |                   | <b>B132V4157K</b>  | 1          |
| 05a        | Carpet, centre console, RHD                             |  |                   | <b>B132V4158K</b>  | 1          |
| 05b        | Carpet, centre console, LHD                             | Incorporating hole for footwell duct     | From vin BH_11673 | <b>C132V4157K</b>  | 1          |
| 06         | Carpet Assembly, passenger, front, LHD                  |  |                   | <b>A132V4105J</b>  | 1          |



**Function Code 15.30 Carpeting & Mats**

| <u>Dep</u> | <u>Part Description</u>                              | <u>Remarks</u>        | <u>Option</u>               | <u>Part Number</u> | <u>Qty</u> |
|------------|--|-----------------------|-----------------------------|--------------------|------------|
| 06a        | Carpet Assembly, passenger, front, RHD               |                       |                             | A132V4106J         | 1          |
| 06b        | Carpet Assembly, passenger, front, LHD               |                       | USA                         | A132V0293J         | 1          |
| 06c        | Carpet Assembly, passenger, front, LHD               |                       | Hot climate                 | B132V0311J         | 1          |
| 06d        | Carpet Assembly, passenger, front, LHD               |                       | Gulf states                 | A132V0334J         | 1          |
| 07         | Carpet Assembly, driver, front, LHD                  | Without foam footrest |                             | A132V4013J         | 1          |
| 07a        | Carpet Assembly, driver, front, LHD                  | With foam footrest    |                             | C132V4013J         | 1          |
| 07b        | Carpet Assembly, driver, front, RHD                  | Without foam footrest |                             | A132V4014J         | 1          |
| 07c        | Carpet Assembly, driver, front, RHD                  | With foam footrest    |                             | C132V4014J         | 1          |
| 07d        | Carpet Assembly, driver, front, LHD                  |                       | Hot climate                 | C132V0309J         | 1          |
| 08         | Carpet, mid floor, RH                                |                       |                             | A132V4016K         | 1          |
| 09         | Carpet, mid floor, LH                                |                       |                             | A132V4015K         | 1          |
| 10         | Carpet, rear floor RH                                |                       |                             | A132V4120J         | 1          |
| 11         | Carpet, rear floor, LH                               |                       |                             | A132V4119J         | 1          |
| 12         | Carpet, tankbay panel                                |                       |                             | A132V0081J         | 1          |
| 13         | Trim Assembly, rear bulkhead upper                   |                       | 2 seat only, A132V0011J R/B | A132V0009K         | 1          |
| 14         | Trim Assembly, rear bulkhead lower                   |                       | 2 seat only, A132V0006J R/B | A132V0010K         | 1          |
| 15         | Carpet Assembly, tankbay front                       |                       | 2 seat only                 | A132V0174J         | 1          |
| 16         | Scrivet  | Used for item 05a     |                             | A111W6534F         | 1          |
| 17         | Floor Mat & Fixings, driver frt LHD, manual, premium | Lotus roundel         | MY12                        | B132V0493F         | 1          |
| 17a        | Floor Mat & Fixings, driver frt LHD, manual, premium | Embroidered Evora     | MY12                        | A132V0962F         | 1          |
| 17b        | Floor Mat & Fixings, driver frt RHD, premium         | Lotus roundel         | MY12                        | B132V0476F         | 1          |



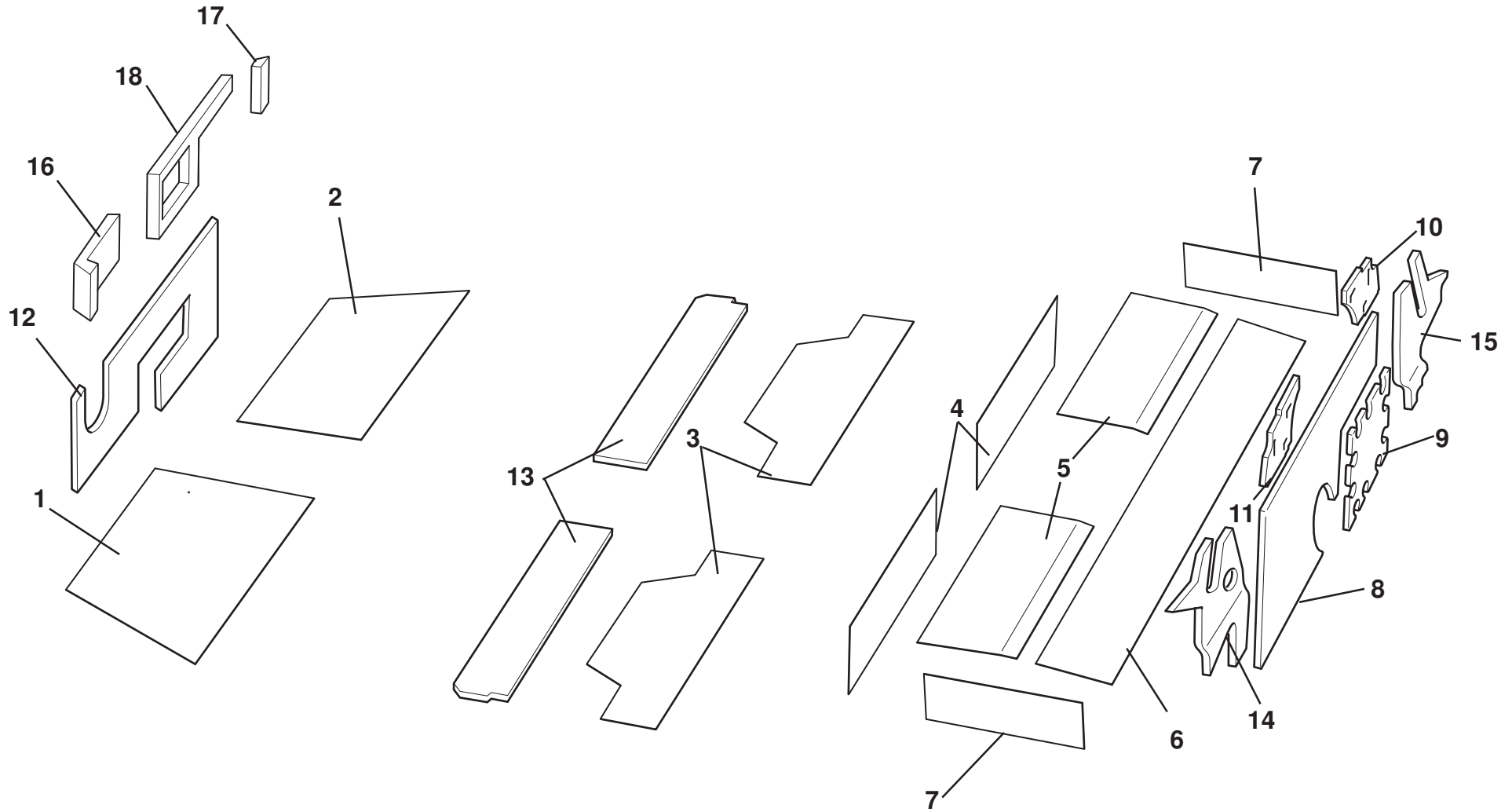


**Function Code 15.30 Carpeting & Mats**

| <u>Dep</u> | <u>Part Description</u>                                 | <u>Remarks</u>                     | <u>Option</u> | <u>Part Number</u> | <u>Qty</u> |
|------------|---|------------------------------------|---------------|--------------------|------------|
| 17c        | Floor Mat & Fixings, driver frt RHD, premium            | Embroidered Evora                  | MY12          | A132V0957F         | 1          |
| 17d        | Floor Mat & Fixings, driver frt LHD, auto, premium      | Lotus roundel                      | MY12          | B132V0479F         | 1          |
| 17e        | Floor Mat & Fixings, driver frt LHD, auto, premium      | Embroidered Evora                  | MY12          | A132V0960F         | 1          |
| 18         | Floor Mat & Fixings, passenger frt LHD, premium         | Lotus roundel                      | MY12          | B132V0478F         | 1          |
| 18a        | Floor Mat & Fixings, passenger frt LHD, premium         | Embroidered Evora                  | MY12          | A132V0959F         | 1          |
| 18b        | Floor Mat & Fixings, passenger frt RHD, premium         | Lotus roundel                      | MY12          | B132V0477F         | 1          |
| 18c        | Floor Mat & Fixings, passenger frt RHD, premium         | Embroidered Evora                  | MY12          | A132V0958F         | 1          |
| 18d        | Floor Mat & Fixings, passenger frt LHD federal, premium | Lotus roundel                      | MY12, USA     | B132V0492F         | 1          |
| 18e        | Floor Mat & Fixings, passenger frt LHD federal, premium | Embroidered Evora                  | MY12, USA     | A132V0961F         | 1          |
| 19         | Foam pad, tankbay panel                                 |                                    |               | A132V0022F         | 2          |
| 20         | Foam pad, rear floor                                    |                                    |               | A132V0021F         | 2          |
| 21         | Carpet Assembly Floor LH, one piece mid and rear        |                                    |               | A132V4519K         | 1          |
| 22         | Carpet Assembly Floor RH, one piece mid and rear        |                                    |               | A132V4520K         | 1          |
| 23         | Floor Mat Fixing Kit,                                   | Single mat set                     |               | A132V6163S         | 2          |
| 24         | Carpet and heelpad, footrest driver auto LHD            | Not illustrated bonded to footrest |               | A132V0337K         | 1          |
| 24a        | Carpet and heelpad, footrest driver RHD                 | Not illustrated bonded to footrest |               | A132V0336K         | 1          |

\*Replacement driver bulkhead carpets are 35mm longer and require use of existing screws in the chassis and additional 3x A082W4131F washers (please order separately)





**EVORA**  
16.01

*Updated 21st December 2010*

# Service Parts List



## Function Code 16.01 Passenger Compartment Sound Insulation

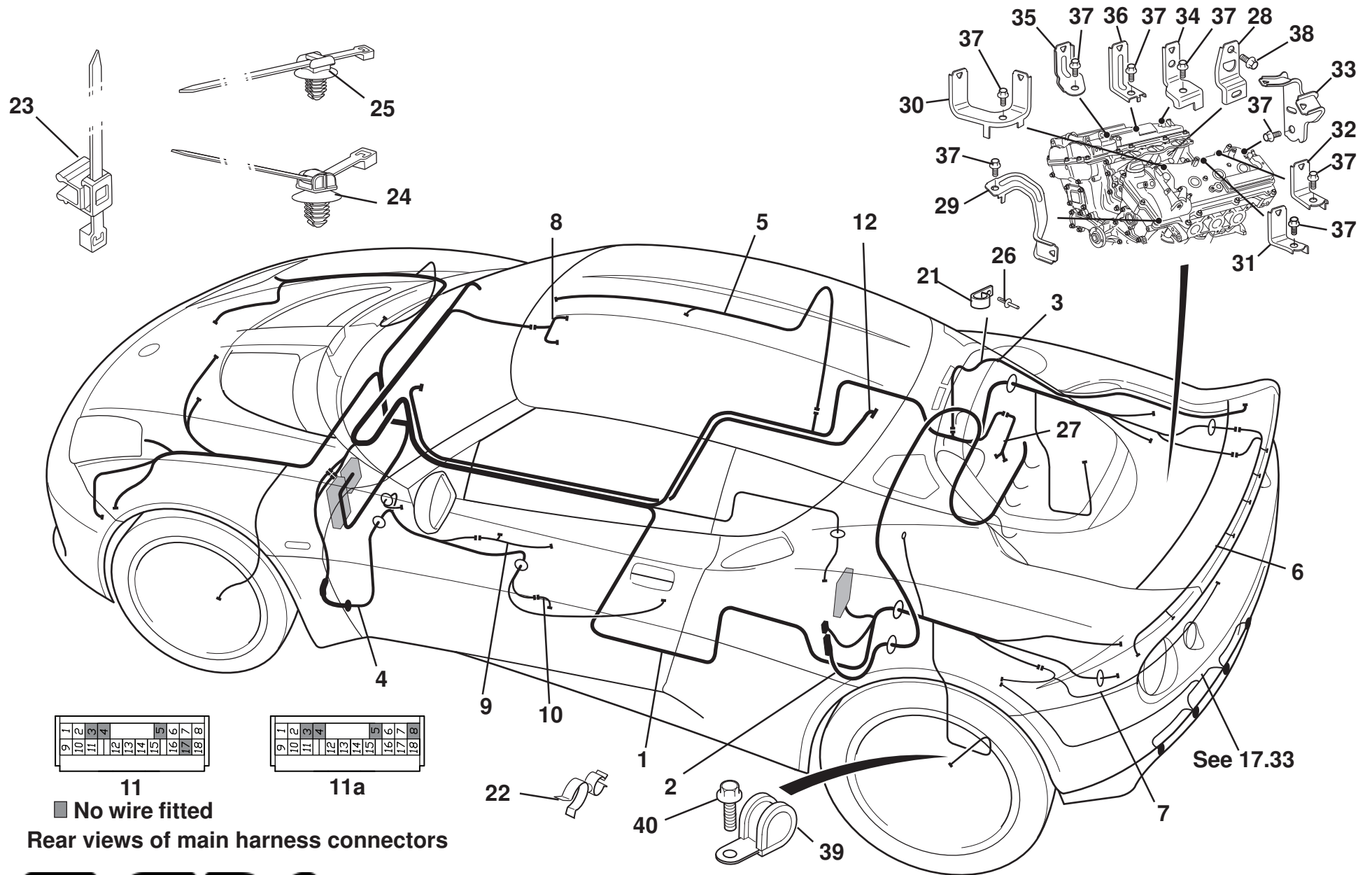
| <u>Dep</u> | <u>Part Description</u>                  | <u>Remarks</u> | <u>Option</u> | <u>Part Number</u> | <u>Qty</u> |
|------------|--|----------------|---------------|--------------------|------------|
| 01         | NVH Sheet, front LH                      |                |               | A132V0034F         | 1          |
| 02         | NVH Sheet, front RH                      |                |               | A132V0036F         | 1          |
| 03         | NVH Sheet, rear                          |                |               | A132V0038F         | 2          |
| 04         | NVH Sheet, mid tankbay                   |                |               | A132V0037F         | 2          |
| 05         | NVH Sheet, tankbay, top front            |                |               | A132V0040F         | 2          |
| 06         | NVH Sheet, tankbay, top rear             |                |               | A132V0041F         | 1          |
| 07         | NVH Sheet, tankbay sides                 |                |               | A132V0224F         | 2          |
| 08         | Foam Pad NVH, rear bulkhead              |                |               | A132V0159F         | 1          |
| 09         | Foam Pad NVH, rear bulkhead access panel |                |               | A132V0175F         | 1          |
| 10         | Foam Pad NVH, bulkhead upper, RH         |                |               | A132V4196F         | 1          |
| 11         | Foam Pad NVH, bulkhead upper, LH         |                |               | A132V4195F         | 1          |
| 12         | Foam Pad NVH, bulkhead front LHD         |                |               | A132V0289K         | 1          |
| 12a        | Foam Pad NVH, bulkhead front RHD         |                |               | B132V0154F         | 1          |
| 13         | Foam Pad NVH, mid                        |                |               | A132V0020F         | 2          |
| 14         | Foam Pad NVH, rear bulkhead LH           |                |               | A132V0157F         | 1          |
| 14a        | Foam Pad NVH, rear bulkhead LH 2+2       |                |               | A132V0166F         | 1          |
| 15         | Foam Pad NVH, rear bulkhead RH           |                |               | A132V0158F         | 1          |
| 15a        | Foam Pad NVH, rear bulkhead RH 2+2       |                |               | A132V0166F         | 1          |



---

**Function Code 16.01 Passenger Compartment Sound Insulation**

| <u>Dep</u> | <u>Part Description</u>         | <u>Remarks</u> | <u>Option</u> | <u>Part Number</u> | <u>Qty</u> |
|------------|---------------------------------|----------------|---------------|--------------------|------------|
| 16         | Foam Front Baffle Passenger RHD |                |               | A132V4217F         | 1          |
| 16a        | Foam Front Baffle Passenger LHD |                |               | A132V4043F         | 1          |
| 17         | Foam Front Baffle Driver RHD    |                |               | A132V4218F         | 1          |
| 17a        | Foam Front Baffle Driver LHD    |                |               | A132V4044F         | 1          |
| 18         | Foam Seal, ADU, screen surround |                |               | A132P0088F         | 1          |



|    |   |  |  |  |  |  |  |  |  |
|----|---|--|--|--|--|--|--|--|--|
| 9  | 1 |  |  |  |  |  |  |  |  |
| 10 | 2 |  |  |  |  |  |  |  |  |
| 11 | 3 |  |  |  |  |  |  |  |  |
| 12 | 4 |  |  |  |  |  |  |  |  |
| 13 |   |  |  |  |  |  |  |  |  |
| 14 |   |  |  |  |  |  |  |  |  |
| 15 |   |  |  |  |  |  |  |  |  |
| 16 |   |  |  |  |  |  |  |  |  |
| 17 |   |  |  |  |  |  |  |  |  |
| 18 |   |  |  |  |  |  |  |  |  |

11

■ No wire fitted

Rear views of main harness connectors

|    |   |  |  |  |  |  |  |  |  |
|----|---|--|--|--|--|--|--|--|--|
| 9  | 1 |  |  |  |  |  |  |  |  |
| 10 | 2 |  |  |  |  |  |  |  |  |
| 11 | 3 |  |  |  |  |  |  |  |  |
| 12 | 4 |  |  |  |  |  |  |  |  |
| 13 |   |  |  |  |  |  |  |  |  |
| 14 |   |  |  |  |  |  |  |  |  |
| 15 |   |  |  |  |  |  |  |  |  |
| 16 |   |  |  |  |  |  |  |  |  |
| 17 |   |  |  |  |  |  |  |  |  |
| 18 |   |  |  |  |  |  |  |  |  |

11a

**EVORA**

17.01

Updated 2nd April 2018

# Service Parts List



## Function Code 17.01 Harnesses, Leads

| <u>Dep</u> | <u>Part Description</u>       | <u>Remarks</u>   | <u>Option</u>  | <u>Part Number</u> | <u>Qty</u> |
|------------|-------------------------------|--|--|--------------------|------------|
| 01         | Harness, main, manual         | Non USA cars   | Up to vin BH_11177                                       | <b>D132M0001F</b>  | 1          |
| 01a        | Harness, main, manual         |  | USA, GCC up to vin BH_11173                              | <b>F132M0001F</b>  | 1          |
| 01b        | Harness, main, manual         |  | USA, GCC vin BH_11174, all markets vin BH_11178          | <b>C132M0228F</b>  | 1          |
| 01c        | Harness, main, manual         |  | From vin EU/ROW EH_10102<br>USA EH_10043 GCC<br>DH_11111 | <b>D132M0228F</b>  | 1          |
| 01d        | Harness, main, auto           |  | Auto (NA & S/Charged)                                    | <b>C132M0215F</b>  | 1          |
| 01e        | Harness, main, auto           |  | From vin EU/ROW EH_10102<br>USA EH_10043 GCC<br>DH_11111 | <b>D132M0215F</b>  | 1          |
| 02         | Harness, engine, manual       | Do not use if harness fitted is lower than I level             |  | <b>I132M0002F</b>  | 1          |
| 02a        | Harness Kit, engine, manual   | For harness lower than I level refer to LSL636 before ordering |  | <b>I132M0002S</b>  | 1          |
| 02b        | Harness, engine, auto         | Do not use if harness fitted is lower than G level             |  | <b>G132M0205F</b>  | 1          |
| 02c        | Harness Kit, engine, auto     | For harness lower than G level refer to LSL636 before ordering |  | <b>F132M0205S</b>  | 1          |
| 03         | Harness, tailgate             |  |  | <b>B132M0008F</b>  | 1          |
| 04         | Harness, door, passenger, RHD | Doors with sill button, not illustrated                        | Up to vin CH_10629                                       | <b>C132M0028F</b>  | 1          |



**Function Code 17.01 Harnesses, Leads**

| <u>Dep</u> | <u>Part Description</u>                                   | <u>Remarks</u>                               | <u>Option</u>           | <u>Part Number</u> | <u>Qty</u> |
|------------|---|--|-------------------------|--------------------|------------|
| 04a        | Harness, door, passenger, LHD                             | Doors with sill button, not illustrated      | Up to vin CH_ 10629     | <b>C132M0030F</b>  | 1          |
| 04b        | Harness, door, driver, RHD                                | Doors with sill button, not illustrated      | Up to vin CH_ 10629     | <b>C132M0027F</b>  | 1          |
| 04c        | Harness, door, driver, LHD                                | Doors with sill button, not illustrated      | Up to vin CH_ 10629     | <b>C132M0029F</b>  | 1          |
| 04d        | Harness, door   | Doors without sill button, Inteva door latch | MY12, from vin CH_10630 | <b>A132M0258F</b>  | 2          |
| 05         | Harness, roof   |  |                         | <b>A132M0122F</b>  | 1          |
| 06         | Harness, rear   |  |                         | <b>C132M0111F</b>  | 1          |
| 07         | Harness, TPMS and parking aid ECU                         |  |                         | <b>C132M0145F</b>  | 1          |
| 08         | Harness, steering wheel, cruise control switches          |  | Manual                  | <b>A132M6093F</b>  | 1          |
| 08a        | Harness, steering wheel, cruise control , paddle switches |  | Auto (NA & S/Charged)   | <b>A132M0213F</b>  | 1          |
| 09         | Harness, door switch panel, passenger                     | Doors with sill button                       | Up to vin CH_ 10629     | <b>A132M0130F</b>  | 1          |
| 09a        | Harness, door switch panel, passenger                     | Doors without sill button, Inteva door latch | MY12, from vin CH_10630 | <b>A132M0259F</b>  | 1          |
| 09b        | Harness, door switch panel, driver                        | Doors with sill button                       | Up to vin CH_ 10629     | <b>A132M0129F</b>  | 1          |
| 09c        | Harness, door switch panel, driver LHD                    | Doors without sill button, Inteva door latch | MY12, from vin CH_10630 | <b>A132M4035F</b>  | 1          |
| 09d        | Harness, door switch panel, driver RHD                    | Doors without sill button, Inteva door latch | MY12, from vin CH_10630 | <b>A132M4037F</b>  | 1          |
| 10         | Harness, window motor                                     |  |                         | <b>A132M0168F</b>  | 2          |
| 10a        | Harness, latch LH   | Doors without sill button, Inteva door latch | MY12, from vin CH_10630 | <b>A132M4039F</b>  | 1          |



**Function Code 17.01 Harnesses, Leads**

| <u>Dep</u> | <u>Part Description</u>                           | <u>Remarks</u>   | <u>Option</u>               | <u>Part Number</u> | <u>Qty</u> |
|------------|---|--|-----------------------------|--------------------|------------|
| 10b        | Harness, latch RH                                 | Doors without sill button, Inteva door latch             | MY12, from vin CH_10630     | <b>A132M4041F</b>  | 1          |
| 11         | Harness, radio                                    | Not illustrated 2-DIN                                    | Not Japan                   | <b>D132M0137F</b>  | 1          |
| 11a        | Harness, radio                                    | Not illustrated 2-DIN,                                   | Not Japan                   | <b>A132M0326F</b>  | 1          |
| 11b        | Harness, radio, Japan                             | Not illustrated 2-DIN                                    | Japan only                  | <b>A132M0190F</b>  | 1          |
| 11c        | Harness, radio pioneer                            | Not illustrated 2-DIN                                    | MY12                        | <b>A132M0254F</b>  | 1          |
| 12         | Harness, sub-woofer system                        |  | Tech pack                   | <b>B132M0135F</b>  | 1          |
| 13         | Harness, sat nav and bluetooth                    | 2-DIN fixed sat nav and updates 2-DIN removable to fixed | UK/EU/ROW/USA with IVA-W900 | <b>A132M0230F</b>  | 1          |
| 14         | Harness, choke link                               | Not illustrated  | Radio 1-DIN USA             | <b>A132M0176F</b>  | 1          |
| 15         | Harness, crossover                                | Not illustrated, replaces A132M0116F crossover module    |                             | <b>A132M0231F</b>  | 1          |
| 16         | Harness, tilt sensor                              | Not illustrated  | Dutch market                | <b>A132M0212F</b>  | 1          |
| 17         | Braid Engine Earth                                | Not illustrated, see also 17.31                          |                             | <b>B132M0007F</b>  | 1          |
| 17a        | Braid Engine Earth                                | Not illustrated, see also 17.31                          | Auto (NA & S/Charged)       | <b>A132M0216F</b>  | 1          |
| 18         | Briad ECU Plate                                   | Not illustrated, see also 17.31                          |                             | <b>A132M0227F</b>  | 1          |
| 19         | Fuse Box Main Harness                             | Not illustrated  |                             | <b>A132M0276S</b>  | 1          |
| 20         | Channel Sill, harness support                     | Not illustrated  |                             | <b>B132M0239F</b>  | 1          |
| 21         | 'P' Clip, tailgate harness to bulkhead heatshield |  |                             | <b>A132W6062F</b>  | 1          |
| 22         | Double Cable Hose Clip, fuse box main harness     |  |                             | <b>A132W6086F</b>  | 4          |
| 23         | Edge Clip Cable Tie, top fixing*                  | 3 used on item 04d                                       |                             | <b>A126W6894F</b>  | 2          |
| 24         | Fir Tree Cable Tie*                               | 36 used on item 01c & 01e                                |                             | <b>A132W6060F</b>  | 36         |



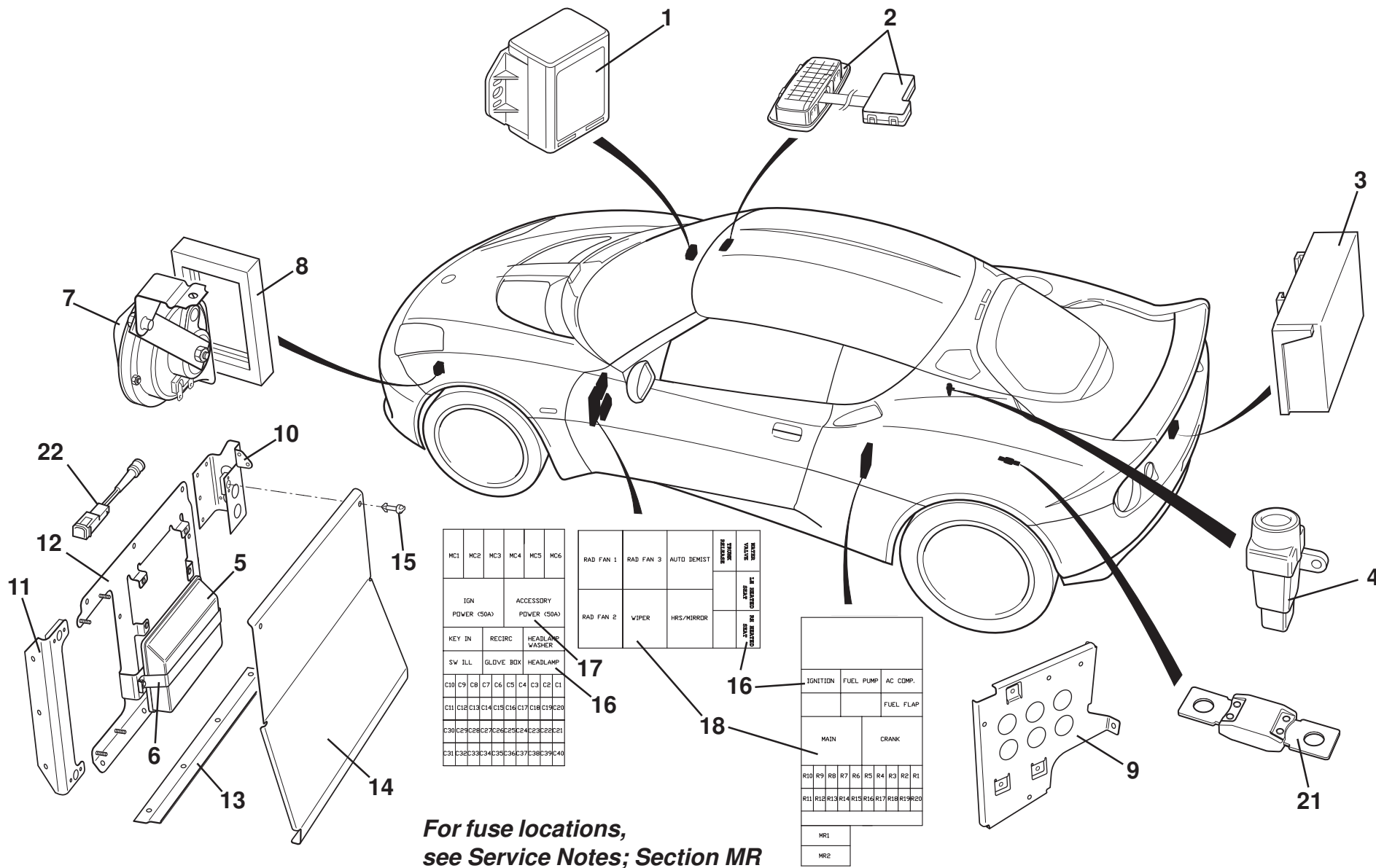


---

**Function Code 17.01 Harnesses, Leads**

| <u>Dep</u> | <u>Part Description</u>         | <u>Remarks</u>   | <u>Option</u> | <u>Part Number</u> | <u>Qty</u> |
|------------|---------------------------------|--|---------------|--------------------|------------|
| 25         | Fir Tree Cable Tie*             | 5 used on item 06, 5 used on item 04d, 1 used on items 10a,10b |               | A116K6020F         | 12         |
| 26         | 'R' Lok expansion Rivet         |  |               | A132W6070F         | 1          |
| 27         | Sensor Cable                    |  |               | A132E6293S         | 1          |
| 28         | Bracket Wiring Harness          |  |               | A132E6294S         | 1          |
| 29         | Bracket Wiring Harness          |  |               | A132E6341S         | 1          |
| 30         | Bracket Wiring Harness          |  |               | A132E6342S         | 1          |
| 31         | Bracket Wiring Harness          |  |               | A132E6343S         | 1          |
| 32         | Bracket Wiring Harness          |  |               | A132E6344S         | 1          |
| 33         | Bracket Wiring Harness          |  |               | A132E6345S         | 1          |
| 34         | Bracket Wiring Harness          |  |               | A132E6346S         | 1          |
| 35         | Bracket Wiring Harness          |  |               | A132E6347S         | 1          |
| 36         | Bracket Wiring Harness          |  |               | A132E6348S         | 1          |
| 37         | Bolt, hex flg hd.               |  |               | A132E6471S         | 8          |
| 38         | Bolt, hex flg hd.               |  |               | A132E6424S         | 1          |
| 39         | 'P' Clip, wheel speed sensor    |  |               | A111W6595F         | 2          |
| 40         | Screw M6 x 16, clip to wishbone |  |               | A132W5003F         | 2          |

\*See LSL626



|                 |           |                 |                       |     |     |
|-----------------|-----------|-----------------|-----------------------|-----|-----|
| MC1             | MC2       | MC3             | MC4                   | MC5 | MC6 |
| IGN POWER (50A) |           |                 | ACCESSORY POWER (50A) |     |     |
| KEY IN          | RECIRC    | HEADLAMP WASHER |                       |     |     |
| SW ILL          | GLDVE BOX | HEADLAMP        |                       |     |     |
| C10             | C9        | C8              | C7                    | C6  | C5  |
| C11             | C12       | C13             | C14                   | C15 | C16 |
| C17             | C18       | C19             | C20                   | C21 | C22 |
| C30             | C29       | C28             | C27                   | C26 | C25 |
| C24             | C23       | C22             | C21                   | C20 | C19 |
| C31             | C32       | C33             | C34                   | C35 | C36 |
| C37             | C38       | C39             | C40                   |     |     |

|           |           |             |                  |                  |
|-----------|-----------|-------------|------------------|------------------|
| RAD FAN 1 | RAD FAN 3 | AUTO DEMIST | REVERSE MIRRORS  | WIPER            |
| RAD FAN 2 | WIPER     | HRS/MIRROR  | EXTERIOR MIRRORS | EXTERIOR MIRRORS |

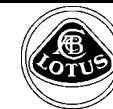
|          |     |     |           |       |     |           |     |     |
|----------|-----|-----|-----------|-------|-----|-----------|-----|-----|
| IGNITION |     |     | FUEL PUMP |       |     | AC COMP.  |     |     |
|          |     |     |           |       |     | FUEL FLAP |     |     |
| MAIN     |     |     |           | CRANK |     |           |     |     |
| R10      | R9  | R8  | R7        | R6    | R5  | R4        | R3  | R2  |
| R11      | R12 | R13 | R14       | R15   | R16 | R17       | R18 | R19 |
| MR1      |     |     |           |       |     |           |     |     |
| MR2      |     |     |           |       |     |           |     |     |

**For fuse locations, see Service Notes; Section MR**

**EVORA**  
**17.03**

*Updated 1st May 2014*

# Service Parts List



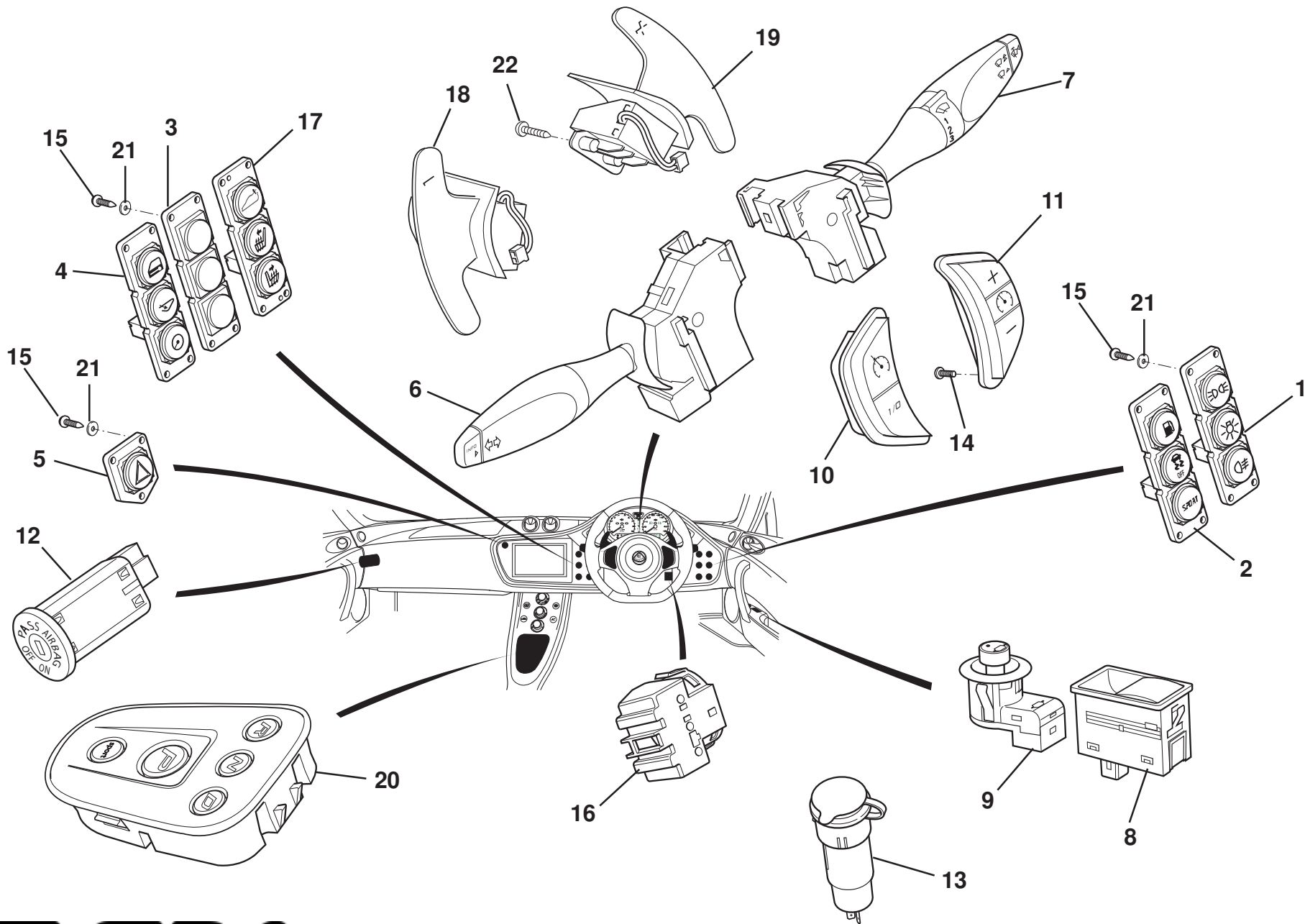
## Function Code 17.03 Horn, Inertia Switch, Modules, Fuses & Relays

| <u>Dep</u> | <u>Part Description</u>               | <u>Remarks</u>   | <u>Option</u> | <u>Part Number</u> | <u>Qty</u> |
|------------|---------------------------------------|------------------|---------------|--------------------|------------|
| 01         | Module, door locking                  |                  |               | A132M0118F         | 1          |
| 02         | Homelink Kit, non-USA, grey           |                  |               | A132M0110F         | 1          |
| 02a        | Homelink Kit, USA, grey               |                  |               | A132M0136F         | 1          |
| 02b        | Homelink Kit, non-USA, beige          |                  |               | A132M0156F         | 1          |
| 02c        | Homelink Kit, USA, beige              |                  |               | A132M0157F         | 1          |
| 02d        | Homelink Kit, non-USA, black          |                  | MY12          | A132M0242F         | 1          |
| 02e        | Homelink Kit, USA, black              |                  | MY12          | A132M0243F         | 1          |
| 03         | Module, TPMS                          |                  |               | A121M6022F         | 1          |
| 03a        | Adhesive Tape, double sided,          | Cut to fit       |               | A117B6043V         | As req.    |
| 04         | Inertia switch                        |                  |               | A082M6598F         | 1          |
| 05         | Module, integrated control            |                  |               | D132M0033F         | 1          |
| 05a        | Module, integrated control            |                  | Not for USA   | C132M0033F         | 1          |
| 06         | Clamp, integrated control module      |                  |               | A132M0052F         | 1          |
| 07         | Horns, lo tone & hi tone              |                  |               | A132M6095F         | 1          |
| 08         | Gasket, horn                          |                  |               | A132M0172F         | 1          |
| 09         | Bracket, electrical, rear quarter     | Also retains ECM |               | B132M0012F         | 1          |
| 10         | Bracket, footwell panel, inboard, RHD |                  |               | B132M0164F         | 1          |
| 10a        | Bracket, footwell panel, inboard, LHD |                  |               | B132M0165F         | 1          |



**Function Code 17.03 Horn, Inertia Switch, Modules, Fuses & Relays**

| <u>Dep</u> | <u>Part Description</u>                      | <u>Remarks</u>              | <u>Option</u> | <u>Part Number</u> | <u>Qty</u> |
|------------|--|-----------------------------|---------------|--------------------|------------|
| 11         | Bracket, footwell panel, outboard            |                             |               | A132M0166F         | 1          |
| 12         | Bracket, electrical, passenger footwell, RHD |                             |               | B132M0034F         | 1          |
| 12a        | Bracket, electrical, passenger footwell, LHD |                             |               | B132M0035F         | 1          |
| 13         | Bracket, footwell panel, floor               |                             |               | A132M0167F         | 1          |
| 14         | Cover Panel, passenger footwell, RHD         |                             |               | B132M0162F         | 1          |
| 14a        | Cover Panel, passenger footwell, LHD         |                             |               | B132M0163F         | 1          |
| 14b        | Cover Panel, passenger footwell, LHD         |                             | USA           | A132M0224K         | 1          |
| 15         | Quarter Turn Slotted Knob, panel retention   |                             |               | A132W6030F         | 2          |
| 16         | Relay, single contact                        |                             |               | A132M6002F         | 14         |
| 17         | Relay, power, 50A                            |                             |               | A132M6003F         | 1          |
| 18         | Relay Single Contact Changeover 30A          |                             |               | C079M6141F         | 8          |
| 19         | Kit - Electronic Toll Collection             | Not illustrated             | Japan only    | A132M0194F         | 1          |
| 20         | Bracket, ETC module mounting                 | Not illustrated             | Japan only    | A132M0193F         | 1          |
| 21         | Mega Fuse 150A                               | Bolted into battery harness |               | A132M6128F         | 1          |
| 22         | Ignition Choke                               |                             |               | A132M0203F         | 1          |

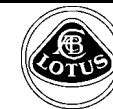


**EVORA**

**17.05**

*Updated 1st April 2014*

# Service Parts List



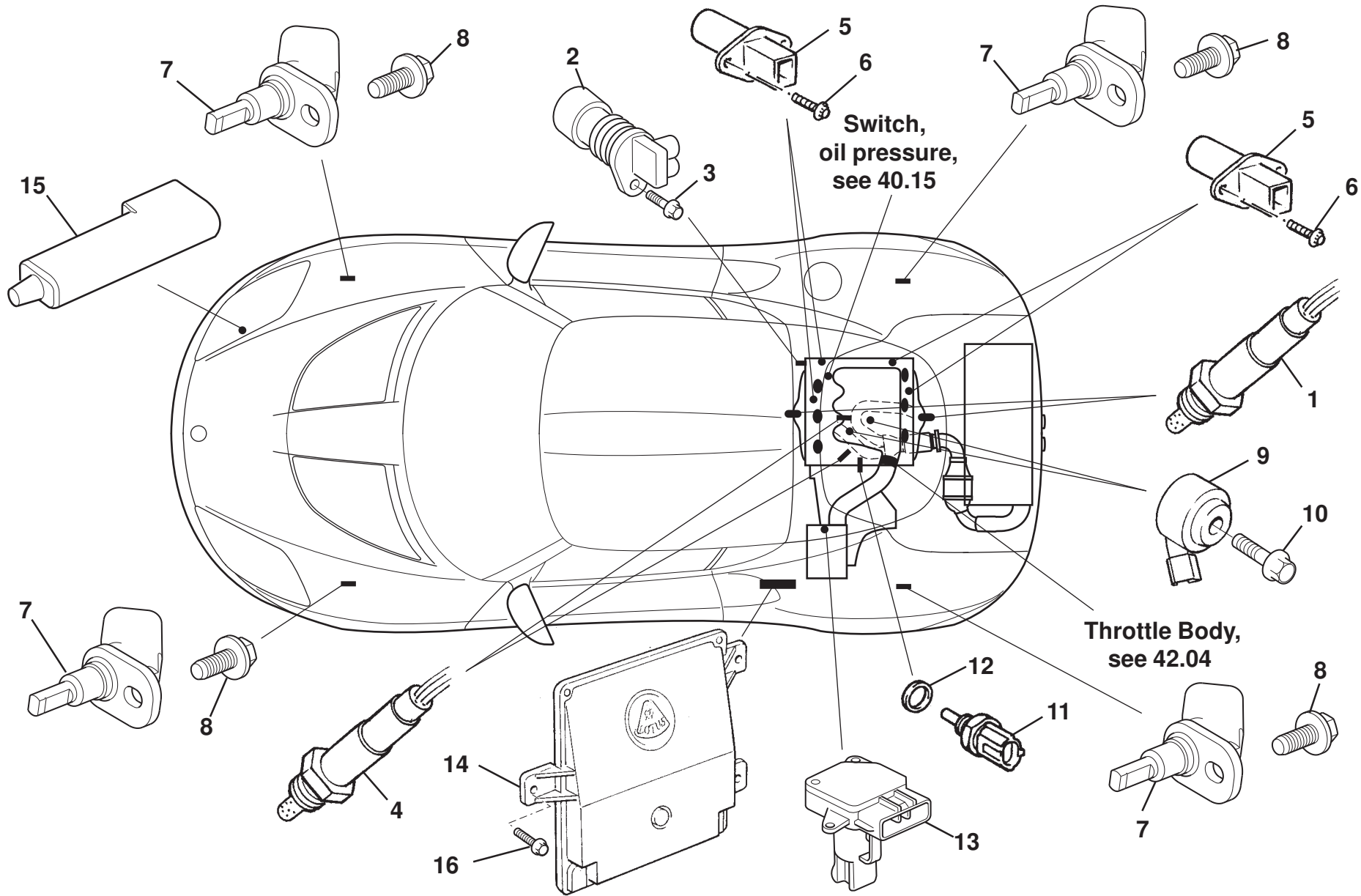
## Function Code 17.05 Interior Switches, Auxiliary Power Socket

| <u>Dep</u> | <u>Part Description</u>                    | <u>Remarks</u>                          | <u>Option</u> | <u>Part Number</u> | <u>Qty</u> |
|------------|--|---|---------------|--------------------|------------|
| 01         | Switch Panel Assembly, lighting            |   |               | B132M0036F         | 1          |
| 01a        | Switch Panel Assembly, lighting, federal   |   | USA           | A132M0192F         | 1          |
| 02         | Switch Panel Assembly, driving, sport      | Fuel flap, Traction control/DPM & Sport |               | B132M0038F         | 1          |
| 02a        | Switch Panel Assembly, driving, non-sport  |   |               | B132M0037F         | 1          |
| 03         | Switch Panel Assembly, blank               |   |               | A132M0105F         | 1          |
| 04         | Switch Panel Assembly, car system          | Central locking, glovebox & dimmer      |               | B132M0064F         | 1          |
| 05         | Switch, hazard lamps                       |   |               | B132M0041F         | 1          |
| 06         | Column Switch, indicators/dip select       |   |               | A132M6009F         | 1          |
| 07         | Column Switch, wipe/wash                   |   |               | A132M6008F         | 1          |
| 08         | Switch, window lift                        |   |               | A132M6069F         | 3          |
| 09         | Switch, door mirror control, powerfold     |   |               | A132M6068F         | 1          |
| 09a        | Switch, door mirror control, non-powerfold |   |               | A132M6097F         | 1          |
| 10         | Switch, cruise control, ON-OFF             |   |               | A132M6065F         | 1          |
| 10a        | Blanking Panel, cruise switch LH           |   |               | A132U4413F         | 1          |
| 11         | Switch, cruise control, SET-RES            |   |               | A132M6066F         | 1          |
| 11a        | Blanking Panel, cruise switch RH           |   |               | A132U4414F         | 1          |
| 12         | Switch, passenger airbag defeat            | Non federal cars only                   | Except USA    | A132M6006F         | 1          |



**Function Code 17.05 Interior Switches, Auxiliary Power Socket**

| <u>Dep</u> | <u>Part Description</u>                              | <u>Remarks</u>                  | <u>Option</u>         | <u>Part Number</u> | <u>Qty</u> |
|------------|--|---------------------------------|-----------------------|--------------------|------------|
| 13         | Auxiliary Power Socket                               |                                 |                       | A132M6040F         | 2          |
| 14         | Screw, M3 x 8, pan pozi. hd., switch retaining       |                                 |                       | A132W5023F         | 4          |
| 15         | Screw, M3 x 8, flg. pozi. hd. S/T, switch retaining  |                                 |                       | A132W5020F         | 21         |
| 16         | Switch, ignition                                     |                                 | Manual transmission   | A132M6035F         | 1          |
| 16a        | Switch, ignition                                     |                                 | Auto (NA & S/Charged) | A132M6109F         | 1          |
| 17         | Switch Panel Assembly, comfort                       | Tailgate release & heated seats |                       | A132M0229F         | 1          |
| 18         | Switch Paddle, downshift LH                          |                                 | Auto (NA & S/Charged) | B132M4027F         | 1          |
| 19         | Switch Paddle, upshift RH                            |                                 | Auto (NA & S/Charged) | B132M4028F         | 1          |
| 20         | Switch Panel Assembly, transmission, matt black      |                                 | Auto (NA & S/Charged) | A132M0207F         | 1          |
| 20a        | Switch Panel Assembly, transmission, gunmetal silver |                                 | MY12 Auto             | A132M0252F         | 1          |
| 21         | Washer M3, s/proof                                   |                                 |                       | A132W4001F         | 21         |
| 22         | Screw M4 x 16 pan pozi st, paddle switch             |                                 |                       | A132W5038F         | 4          |



**EVORA**

17.06

*Updated 2nd March 2015*



# Service Parts List



## Function Code 17.06 Engine Management & Sensors

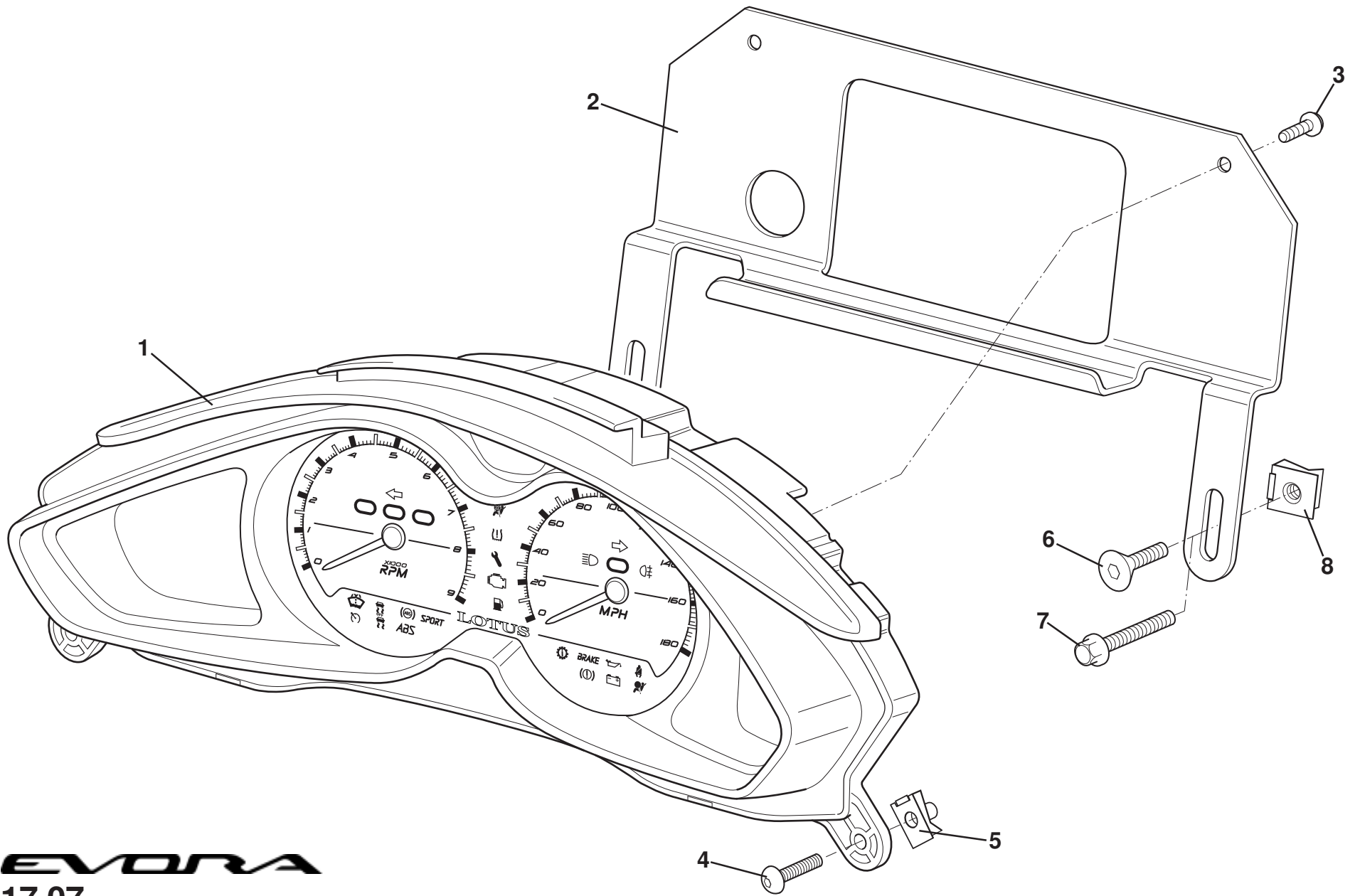
| <u>Dep</u> | <u>Part Description</u>                      | <u>Remarks</u>                               | <u>Option</u>      | <u>Part Number</u> | <u>Qty</u> |
|------------|--|--|--------------------|--------------------|------------|
| 01         | Sensor, oxygen, pre-catalyst                 |  |                    | A117E6007F         | 2          |
| 02         | Sensor, crankshaft position                  |  |                    | A132E6282S         | 1          |
| 03         | Bolt, flg. hd., sensor to block              |  |                    | A132E6466S         | 1          |
| 04         | Sensor, oxygen, post-catalyst                |  |                    | A117E6007F         | 2          |
| 05         | Sensor, camshaft position                    |  |                    | A132E6283S         | 4          |
| 06         | Bolt, flg. hd., sensor to cam cover          |  |                    | A132E6466S         | 4          |
| 07         | Wheel Speed Sensor                           |  |                    | A132J6001F         | 4          |
| 08         | Bolt, flg. hd.,                              |  |                    | A132W5002F         | 4          |
| 09         | Sensor, knock control                        |  |                    | A132E6298S         | 2          |
| 10         | Bolt, flg. hd.,                              |  |                    | A132E6469S         | 2          |
| 11         | Sensor, coolant temperature                  |  |                    | A132E6258S         | 1          |
| 12         | Gasket, coolant temperature sensor           |  |                    | A120E6378S         | 1          |
| 13         | Meter, air intake flow                       |  |                    | A132E6482S         | 1          |
| 14         | Electronic Control Module (ECM) uncalibrated | Dealer programmed, also refer to TSB 2012/17 |                    | B132E0008F         | 1          |
| 14a        | Label, ECM, ROW, red                         | Not illus., order with item 14               | MY10, ROW          | A132U0101F         | 1          |
| 14b        | Label, ECM, Euro, green                      | Not illus., order with item 14               | MY10,11, NA Europe | A132U0609F         | 1          |
| 14c        | Label, ECM, Fed, yellow                      | Not illus., order with item 14               | MY10,11, NA Fed    | A132U0565F         | 1          |



---

**Function Code 17.06 Engine Management & Sensors**

| <u>Dep</u> | <u>Part Description</u>         | <u>Remarks</u>                 | <u>Option</u>                  | <u>Part Number</u> | <u>Qty</u> |
|------------|---------------------------------|--------------------------------|--------------------------------|--------------------|------------|
| 14d        | Label, ECM, Euro, light green   | Not illus., order with item 14 | MY10,11, S/Charged man, Europe | <b>A132U0610F</b>  | 1          |
| 14e        | Label, ECM, Fed, light blue     | Not illus., order with item 14 | MY10,11, S/Charged man, Fed    | <b>A132U0611F</b>  | 1          |
| 14f        | Label, ECM, Euro, light brown   | Not illus., order with item 14 | MY12, NA Europe                | <b>A132U0889F</b>  | 1          |
| 14g        | Label, ECM, Euro, dark green    | Not illus., order with item 14 | MY12, S/Charged man, Europe    | <b>A132U0890F</b>  | 1          |
| 14h        | Label, ECM, Fed, blue green     | Not illus., order with item 14 | MY12, S/Charged man, Fed       | <b>A132U0891F</b>  | 1          |
| 14i        | Label, ECM, Fed, light grey     | Not illus., order with item 14 | MY12, NA Fed                   | <b>A132U0892F</b>  | 1          |
| 15         | Sensor, ambient air temperature |                                |                                | <b>A132M6012F</b>  | 1          |
| 16         | Screw M6 x 12 hex flg, ecm      |                                |                                | <b>A132W5010F</b>  | 3          |



**EVORA**  
17.07

# Service Parts List

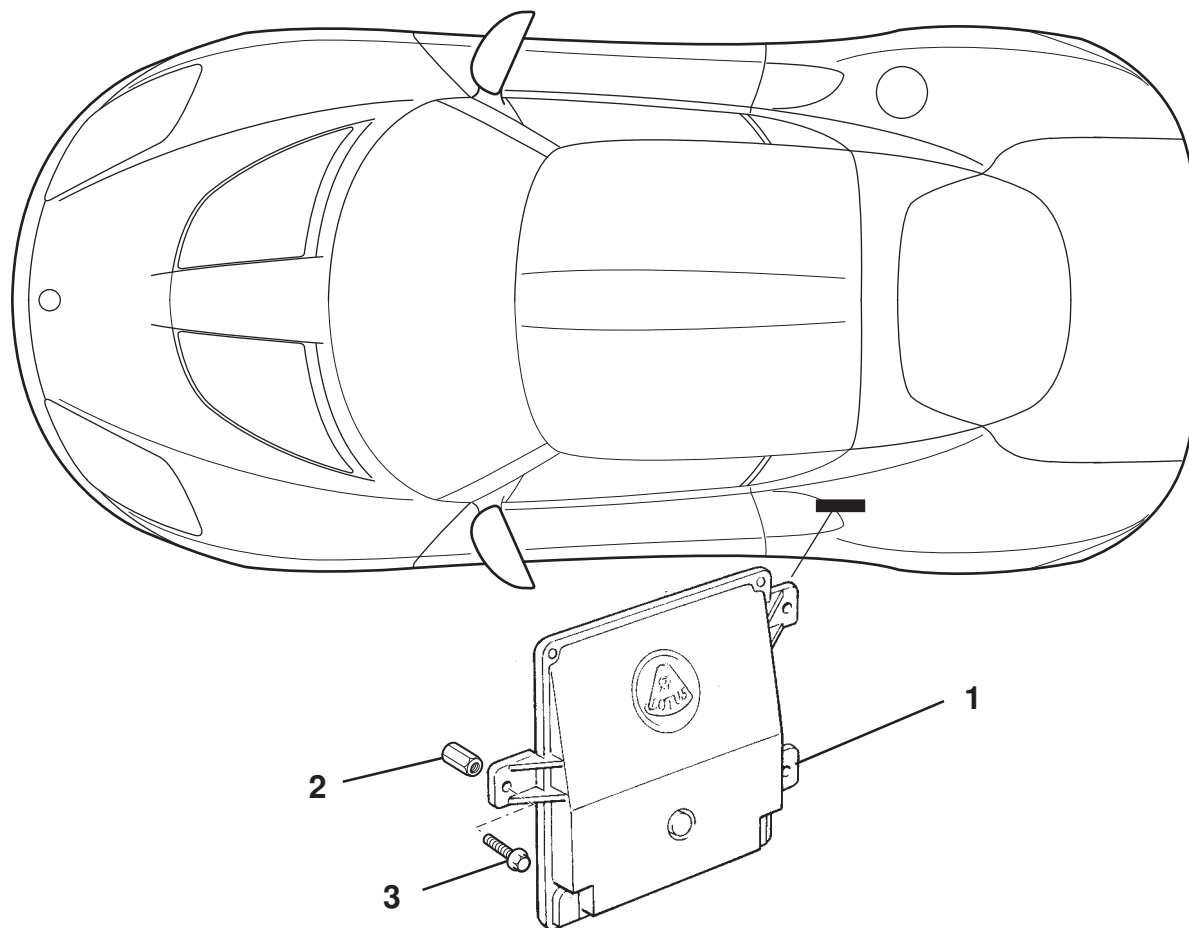


## Function Code 17.07 Instruments, Tell Tales, & Displays

| <u>Dep</u> | <u>Part Description</u>                                     | <u>Remarks</u>                     | <u>Option</u>                               | <u>Part Number</u> | <u>Qty</u> |
|------------|---|------------------------------------|---|--------------------|------------|
| 01         | Instrument Pack, MPH, chrome surround*                      |                                    | to vin BH_11178, non USA                    | <b>B132N0005F</b>  | 1          |
| 01a        | Instrument Pack, KPH, chrome surround*                      |                                    | to vin BH_11178                             | <b>C132N0002F</b>  | 1          |
| 01b        | Instrument Pack, MPH, chrome surround*                      | Does not replace 'B' level pack    | From vin BH_11178, all markets,USA from SOP | <b>E132N0005F</b>  | 1          |
| 01c        | Instrument Pack, KPH, chrome surround*                      | Does not replace 'C' level pack    | From vin BH_11178                           | <b>F132N0002F</b>  | 1          |
| 01d        | Instrument Pack, MPH, black surround*                       | Without GSI (gear shift indicator) | Up to Oct 2014                              | <b>A132N0008F</b>  | 1          |
| 01e        | Instrument Pack, KPH, black surround*                       | Without GSI (gear shift indicator) | Up to Oct 2014                              | <b>A132N0007F</b>  | 1          |
| 01f        | Instrument Pack, MPH, black surround*                       | With GSI (gear shift indicator)    | From Oct 2014                               | <b>B132N0008F</b>  | 1          |
| 01g        | Instrument Pack, KPH, black surround*                       | With GSI (gear shift indicator)    | From Oct 2014                               | <b>B132N0007F</b>  | 1          |
| 02         | Bracket, pack mounting                                      |                                    |   | <b>A132V0135F</b>  | 1          |
| 03         | Screw, M5 x 16, torx flg. hd., pack to bracket              |                                    |   | <b>A117W5290F</b>  | 2          |
| 04         | Screw, M5 x 12, button skt. hd. black, pack to fascia panel |                                    |   | <b>A111W1771F</b>  | 2          |
| 05         | Spirenut, M5, pack to fascia panel                          |                                    |   | <b>B100W6372F</b>  | 2          |
| 06         | Screw, M6 x 16, csk, skt. hd., bracket to fascia panel      | Behind switch panel pocket         | Outboard fixing                             | <b>A918W7120F</b>  | 1          |
| 07         | Screw, M6 x 30, hex. flg. hd., bracket to fascia panel      |                                    | Inboard fixing                              | <b>A124W5294F</b>  | 1          |
| 08         | Spirenut, M6, bracket to fascia panel                       |                                    |   | <b>A117W6715F</b>  | 2          |

\*The new pack requires variant coding see service notes section MR5





**EVORA**

**17.09**

*Updated 2nd March 2015*

# Service Parts List

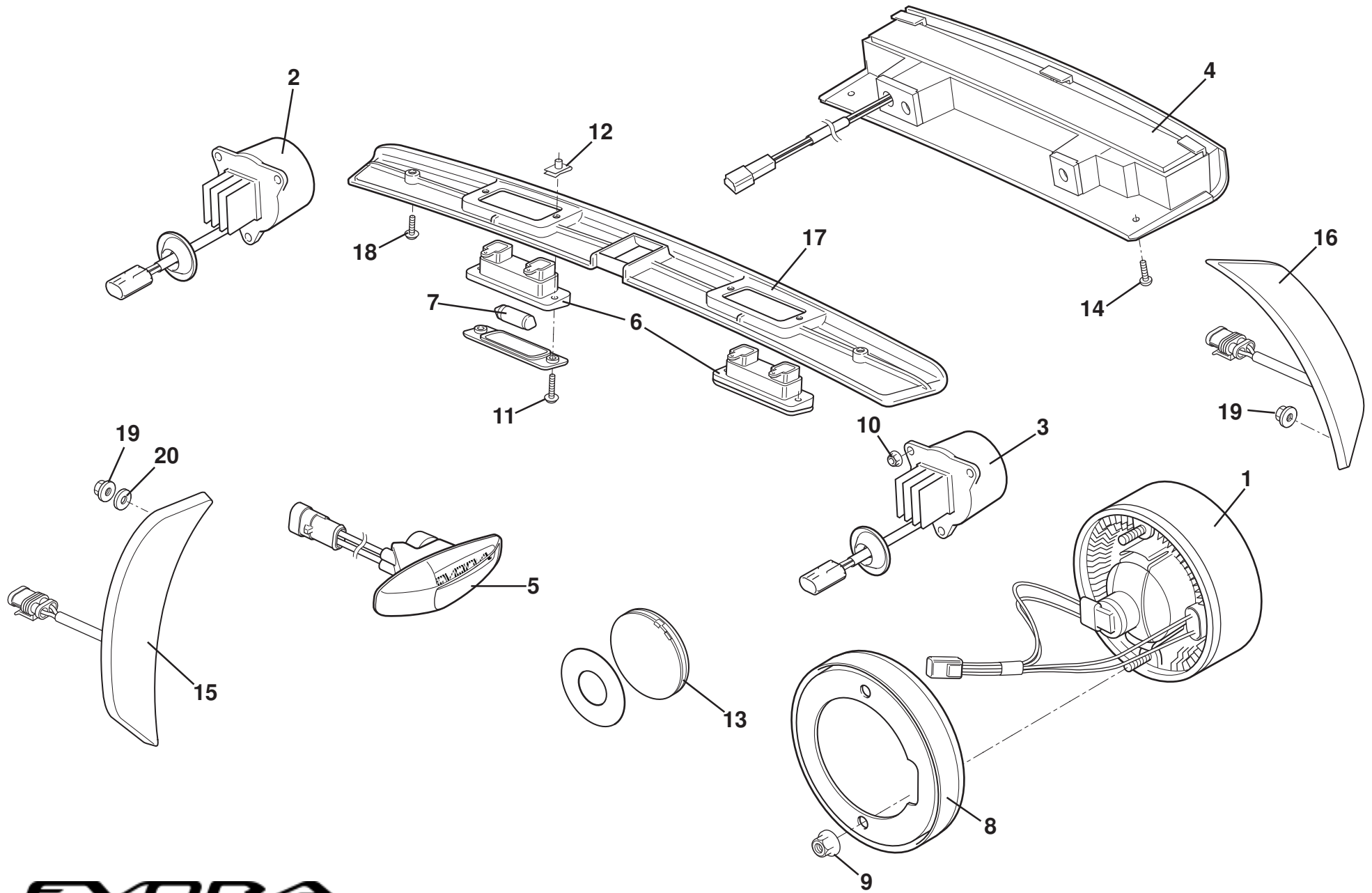
# EVORA



## Function Code 17.09 Transmission Management & Sensors

| <u>Dep</u> | <u>Part Description</u>                      | <u>Remarks</u>                 | <u>Option</u>   | <u>Part Number</u> | <u>Qty</u> |
|------------|--|--------------------------------|-----------------|--------------------|------------|
| 01         | Transmission Control Unit (TCU) uncalibrated | Dealer programmed              |                 | <b>C132F0074F</b>  | 1          |
| 01a        | Label, TCU,Euro                              | Not illus., order with item 1a | Auto NA, Europe | <b>A132U0566F</b>  | 1          |
| 01b        | Label, TCU,Fed                               | Not illus., order with item 1a | Auto NA, Fed    | <b>A132U0567F</b>  | 1          |
| 02         | Spacer Nut                                   |                                |                 | <b>A132M0217F</b>  | 3          |
| 03         | Screw M6 x 12 hex flg                        |                                |                 | <b>A132W5010F</b>  | 3          |

EVORA



**EVORA**  
17.11

*Updated 1st May 2013*

# Service Parts List

# EVORA



## Function Code 17.11 Exterior Lamps, Except Headlamps

| <u>Dep</u> | <u>Part Description</u>                                | <u>Remarks</u> | <u>Option</u>  | <u>Part Number</u> | <u>Qty</u> |
|------------|--|----------------|----------------|--------------------|------------|
| 01         | Lamp, outer, tail. turn, stop/tail, LED                |                | Euro           | A132M0189F         | 2          |
| 01a        | Lamp, outer, tail. turn, stop/tail, LED, federal       |                | USA            | A132M0196F         | 2          |
| 02         | Lamp, rear fog   | Chrome         |                | B132M0106F         | 1          |
| 02a        | Lamp, rear fog   | Gloss black    |                | A132M0393S         | 1          |
| 03         | Lamp, reverse  | Chrome         |                | C132M0107F         | 1          |
| 03a        | Lamp, reverse  | Gloss black    |                | A132M0331S         | 1          |
| 04         | Lamp, CHMSL  |                | B132M0108F R/B | C132M0108F         | 1          |
| 05         | Lamp, side repeater, LH                                |                |                | C132M4015F         | 1          |
| 05a        | Lamp, side repeater, RH                                |                |                | C132M4016F         | 1          |
| 06         | Lamp, license plate                                    |                |                | A117M6028F         | 2          |
| 07         | Bulb, 12v 5w, license plate                            |                |                | A083M6292F         | 2          |
| 08         | Bezel, lamp outer                                      |                |                | A132M0069F         | 2          |
| 08a        | Bezel, lamp outer, black                               |                | MY12           | A132M0244F         | 2          |
| 09         | Nyloc Nut, M5, flg., lamp to body                      |                |                | A132W3000F         | 4          |
| 10         | Nut, M4, flg., lamp to bumper                          |                |                | A132U6052F         | 6          |
| 11         | Screw, No. 6 x 0.75", flg. pozi. black, lamp to bumper |                |                | A075W5028Z         | 4          |
| 12         | Spirenut, No. 6, lamp + finisher to bumper             |                |                | A124W3225F         | 6          |
| 13         | Reflector, door  |                |                | A132M0138F         | 2          |

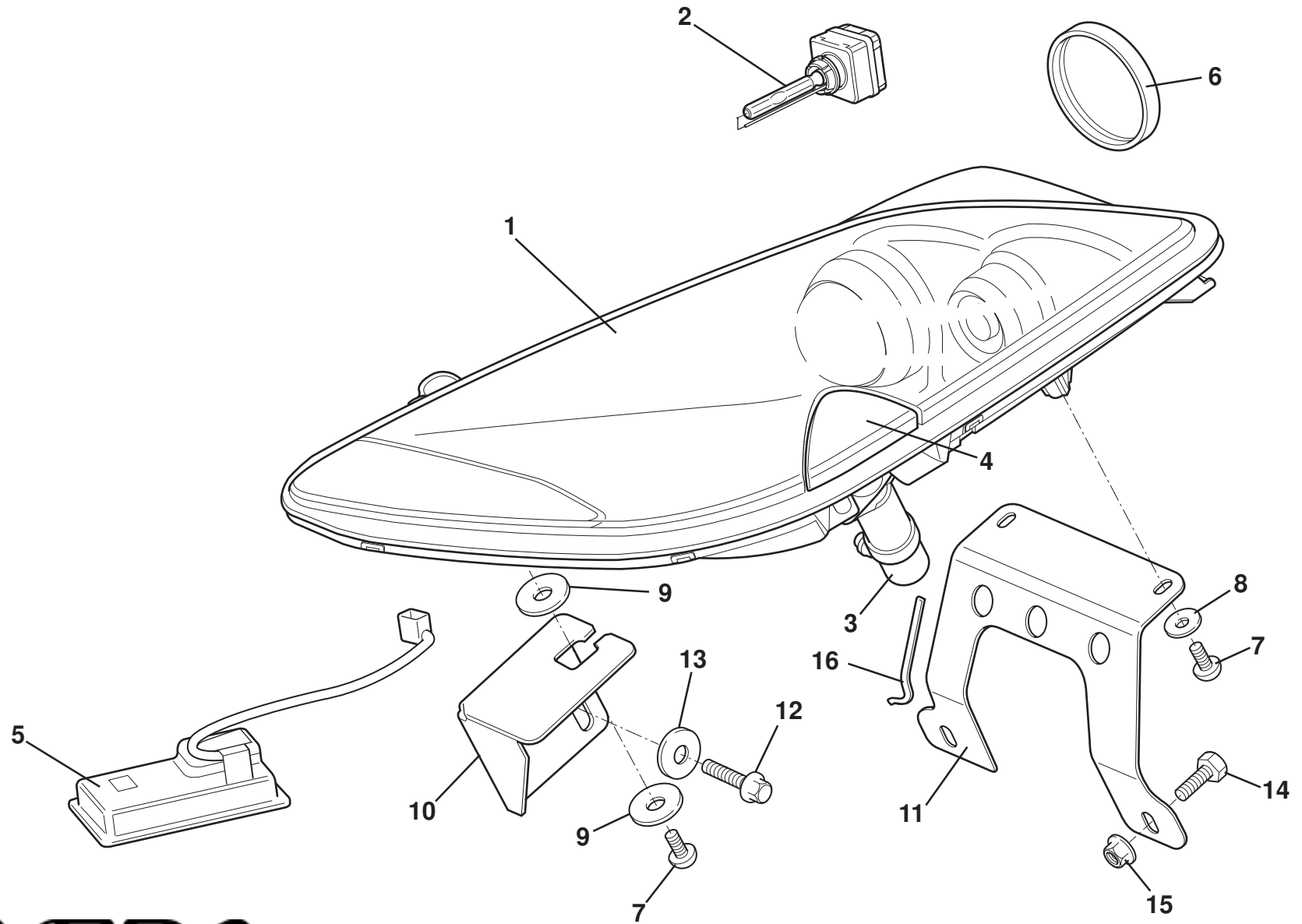
EVORA



---

**Function Code 17.11 Exterior Lamps, Except Headlamps**

| <u>Dep</u> | <u>Part Description</u>                                   | <u>Remarks</u> | <u>Option</u> | <u>Part Number</u> | <u>Qty</u> |
|------------|---|----------------|---------------|--------------------|------------|
| 14         | Screw, M4 x 12, pan pozi., black, CHMSL to aerofoil       |                |               | A111W7117F         | 2          |
| 15         | Lamp, side marker front, LH                               |                | USA           | A132M4021F         | 1          |
| 15a        | Lamp, side marker front, RH                               |                | USA           | A132M4022F         | 1          |
| 16         | Lamp, side marker rear, LH                                |                | USA           | A132M4023F         | 1          |
| 16a        | Lamp, side marker rear, RH                                |                | USA           | A132M4024F         | 1          |
| 17         | Finisher, license plate lamps                             |                |               | D132U0400F         | 1          |
| 18         | Screw, No. 6 x 0.5", flg. pozi. black, finisher to bumper |                |               | A075W5012Z         | 2          |
| 19         | Nut, self threading, lamp to body                         |                | USA           | A121W3185F         | 8          |
| 20         | Washer M5 x 16.6 x 1.6 Neopren                            |                | USA           | A082W4115F         | 8          |



**EVORA**  
17.13

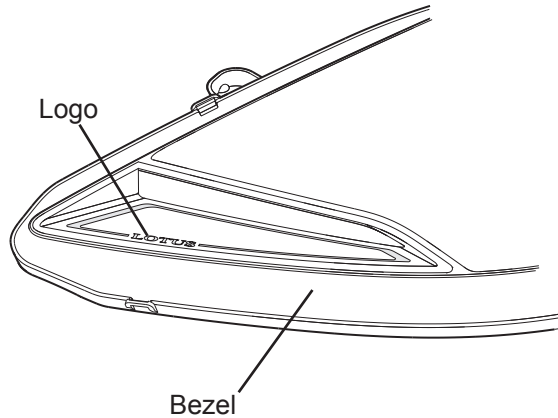
*Updated 3rd May 2016*

# Evora Headlamp Replacement

Replace with latest level headlamp without Lotus logo when original headlamp is unavailable  
pairs ordered to match only as an agreed warranty or customer repair

Latest level Headlamps RHD D132M4001/2 F, LHD D132M4003/4F and LHD USA C132M4025/6F

Headlamp with logo



RHD

Headlamp with gloss black bezel not available  
order latest level, to match order pair\*

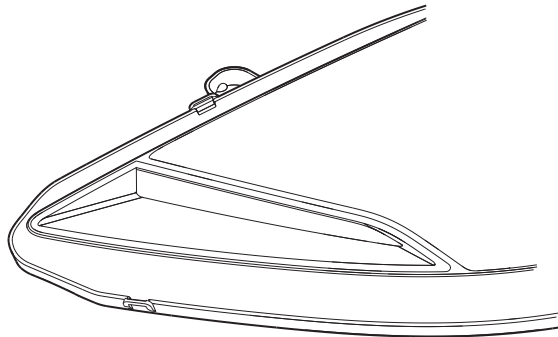
Headlamp with grained matt black bezel and lotus logo  
not available order latest level, to match order pair\*

LHD

Original headlamp with gloss black bezel not available  
order latest level, to match order pair\*

Headlamp with grained matt black bezel and lotus logo  
not available order latest level, to match order pair\*

Headlamp without logo



LHD USA

Original headlamp with gloss black bezel not available  
order latest level, to match order pair\*

Limited stock of grained matt black bezel and lotus logo  
if unavailable order latest level, to match order pair\*

\*As long as this has been agreed with the customer or as an agreed warranty repair

*Updated 4th February 2016*

# Service Parts List

# EVORA



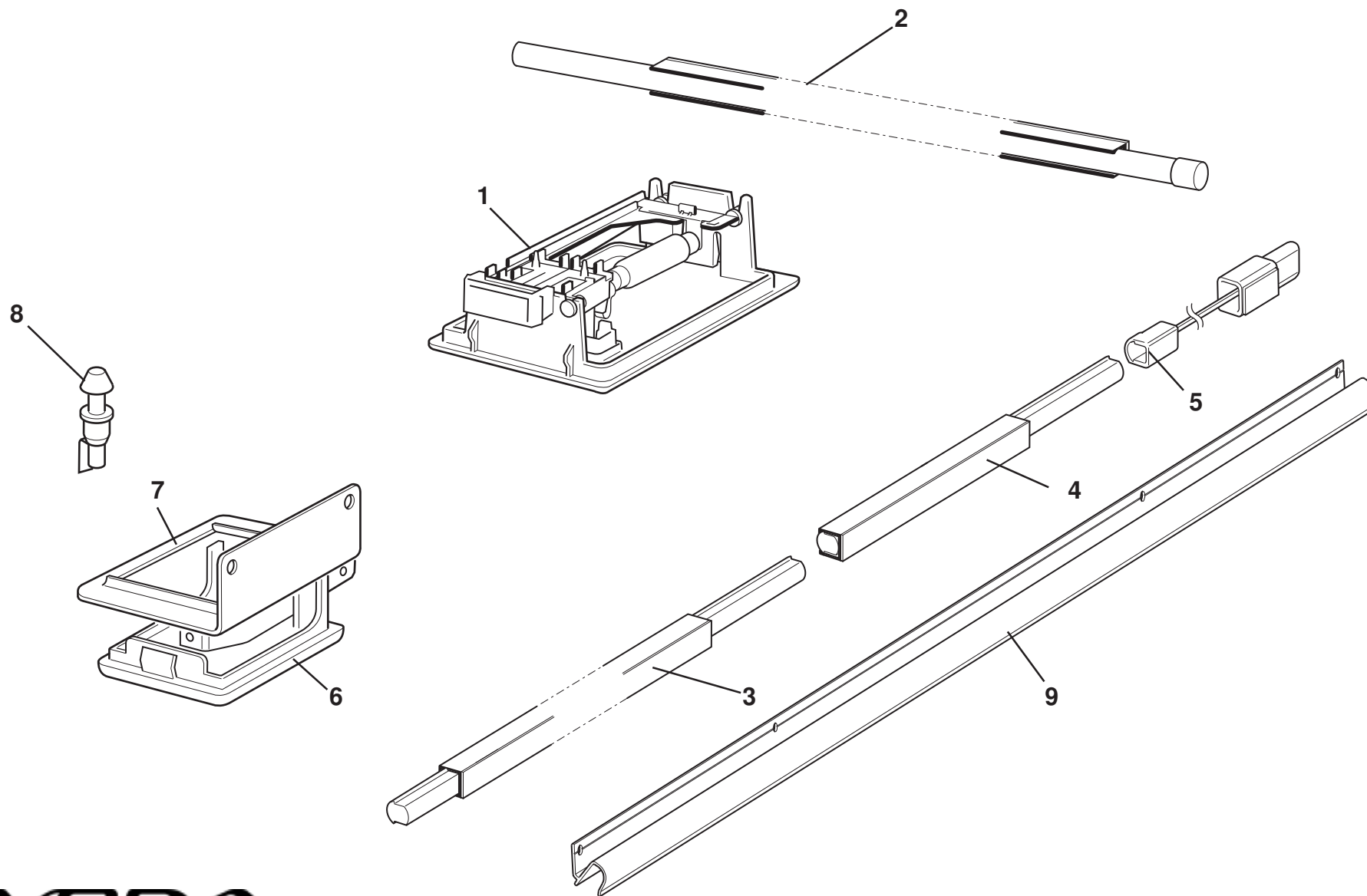
## Function Code 17.13 Headlamps

| <u>Dep</u> | <u>Part Description</u>                            | <u>Remarks</u>                               | <u>Option</u>                      | <u>Part Number</u> | <u>Qty</u> |
|------------|--|--|------------------------------------|--------------------|------------|
| 01         | Headlamp Assembly, LH, RHD, no lotus logo*         | Grained matt black bezel, includes items 1-6 | From vin EH_10993, B/C132M4001F RB | <b>D132M4001F</b>  | 1          |
| 01a        | Headlamp Assembly, LH, LHD, no lotus logo*         | Grained matt black bezel, includes items 1-6 | From vin EH_10993, B/C132M4002F RB | <b>D132M4003F</b>  | 1          |
| 01b        | Headlamp Assembly, RH, RHD, no lotus logo*         | Grained matt black bezel, includes items 1-6 | From vin EH_10993, B/C132M4002F RB | <b>D132M4002F</b>  | 1          |
| 01c        | Headlamp Assembly, RH, LHD, no lotus logo*         | Grained matt black bezel, includes items 1-6 | From vin EH_10993, B/C132M4002F RB | <b>D132M4004F</b>  | 1          |
| 01d        | Headlamp Assembly, RH, LHD federal, lotus logo*    | Grained matt black bezel, includes items 1-6 | USA                                | <b>B132M4026F</b>  | 1          |
| 01e        | Headlamp Assembly, RH, LHD federal, no lotus logo* | Grained matt black bezel, includes items 1-6 | USA, A132M4026F RB                 | <b>C132M4026F</b>  | 1          |
| 01f        | Headlamp Assembly, LH, LHD federal, lotus logo*    | Grained matt black bezel, includes items 1-6 | USA                                | <b>B132M4025F</b>  | 1          |
| 01g        | Headlamp Assembly, LH, LHD federal, no lotus logo* | Grained matt black bezel, includes items 1-6 | USA, A132M4025F RB                 | <b>C132M4025F</b>  | 1          |
| 02         | Burner Unit  |  |                                    | <b>A132M6116S</b>  | 2          |
| 03         | Washer Unit  |  |                                    | <b>A132M6113S</b>  | 2          |
| 04         | Cover Set, headlamp washer                         |  |                                    | <b>A132M6114S</b>  | 1          |
| 05         | Ballast Unit                                       |  |                                    | <b>A132M6115S</b>  | 2          |
| 06         | Cover Set, headlamp rear                           |  |                                    | <b>A132M6117S</b>  | 1          |
| 07         | Screw, M6 x 12, button hd., lamp retention         |  |                                    | <b>A126W7226F</b>  | 6          |

EVORA

**Function Code 17.13 Headlamps**

| <u>Dep</u> | <u>Part Description</u>                                | <u>Remarks</u>   | <u>Option</u>                                | <u>Part Number</u> | <u>Qty</u> |
|------------|--|--|--|--------------------|------------|
| 08         | Washer, flat, M6 x 15 x 1.5, S/S black, lamp retention |  |  | A082W4133F         | 4          |
| 09         | Washer, flat, M6 x 15 x 1.5, S/S black, lamp retention |  |  | A082W4133F         | 4          |
| 10         | Bracket, headlamp to subframe, LH                      |  |  | C132B4045F         | 1          |
| 10a        | Bracket, headlamp to subframe, RH                      |  |  | C132B4046F         | 1          |
| 11         | Bracket, headlamp rear                                 |  |  | D132U0231F         | 2          |
| 11a        | Bracket, headlamp rear                                 |  | USA vin BH_11174 , all markets vin, BH_11178 | E132U0231F         | 2          |
| 12         | Screw, M6 x 16, hex. flg. hd., bracket to subframe     |  |  | A918W5208F         | 4          |
| 13         | Washer, flat, M6 x 25 x 1.4, bracket to subframe       |  |  | B075W4017Z         | 4          |
| 14         | Screw, M6 x 10, hex. hd. bracket retention             |  |  | A075W1026Z         | 4          |
| 15         | Nut, M6, flange, bracket retention                     |  |  | A117W3180F         | 4          |
| 16         | Rubber Edge Protector, headlamp bracket                |  | S/Charged (man & auto), Auto                 | A117B6010F         | 0.33       |
| 17         | Beam Control Template, RHD, Drivers side               | Template only. See TSB 2011/22   |  | LSL592             | 1          |
| 17a        | Beam Control Template, RHD, Passengers side            | Template only. See TSB 2011/22   |  | LSL593             | 1          |
|            |  | *Gloss black bezel & Grained matt black bezel with lotus logo not available, Refer to LSL630 |  |                    |            |



**EVORA**  
17.17

*Updated 1st August 2013*

# Service Parts List

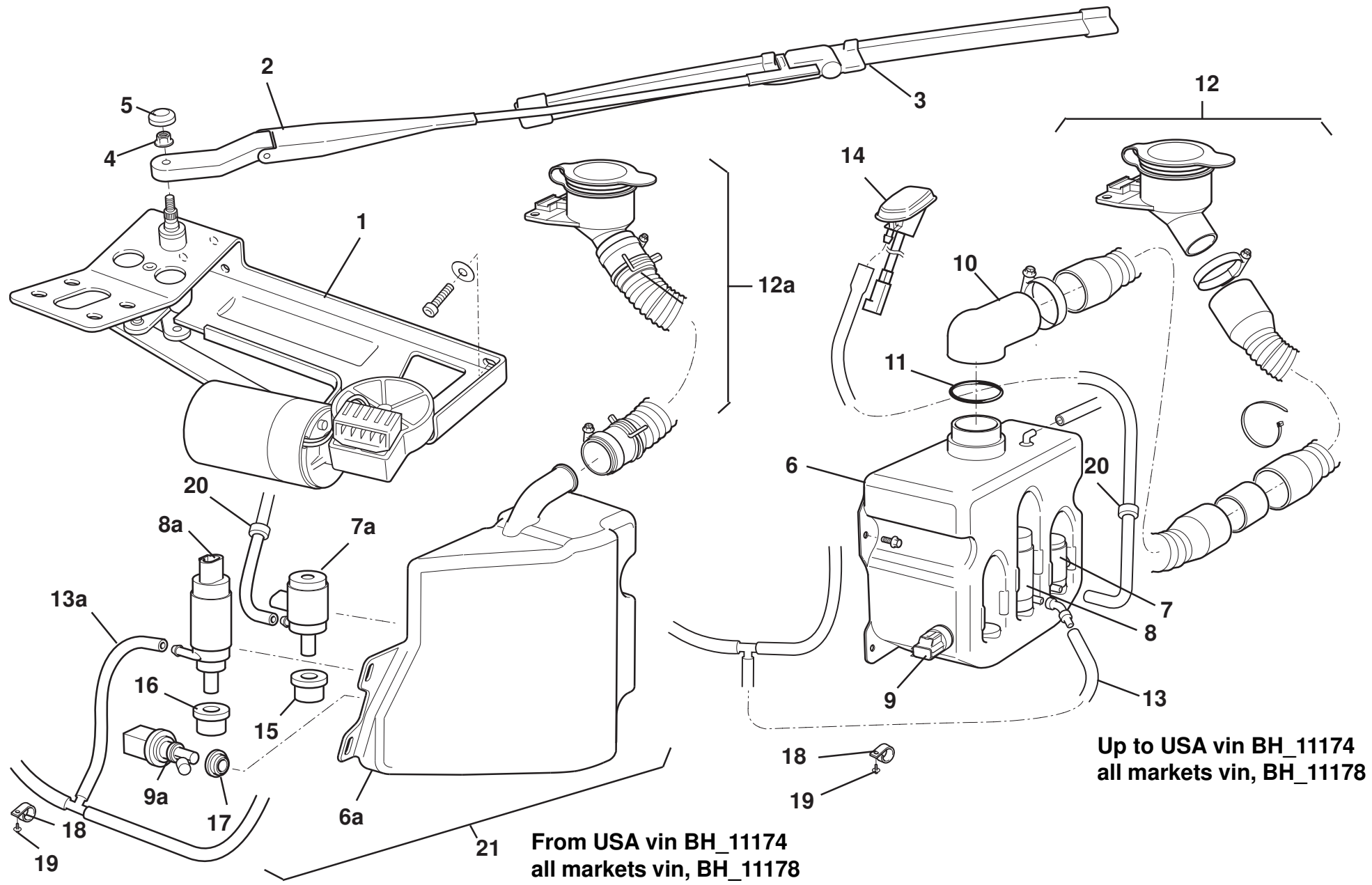
# EVORA



## Function Code 17.17 Interior Lamps

| <u>Dep</u> | <u>Part Description</u>                                 | <u>Remarks</u>          | <u>Option</u>  | <u>Part Number</u> | <u>Qty</u> |
|------------|---|-------------------------|--|--------------------|------------|
| 01         | Interior Lamp   |                         |  | A132M6017F         | 1          |
| 02         | PLE Assembly, moodlight, door, RH                       |                         |  | A132M4020F         | 1          |
| 02a        | PLE Assembly, moodlight, door, LH                       |                         |  | A132M4019F         | 1          |
| 02b        | Moodlight, door, LH and RH                              |                         | From vin EU/ROW EH_10102<br>USA EH_10043 GCC<br>DH_11111 | A132M0328F         | 2          |
| 03         | PLE Assembly, moodlight, fascia, driver                 |                         |  | A132M0183F         | 1          |
| 03a        | Moodlight, facia driver and passenger                   |                         | From vin EU/ROW EH_10102<br>USA EH_10043 GCC<br>DH_11111 | A132M0327F         | 2          |
| 04         | PLE Assembly, moodlight, passenger                      |                         |  | A132M0184F         | 1          |
| 05         | Light Injector, moodlight fascia, driver                | Not for items 2b and 3a |  | A132M0150F         | 1          |
| 05a        | Light Injector, moodlight fascia, passenger, LH,RH door | Not for items 2b and 3a |  | A132M0149F         | 1          |
| 06         | Lamp, glovebox, footwells and boot                      |                         |  | A132M6036F         | 5          |
| 07         | Bracket, footwell lamp                                  |                         |  | A132M0132F         | 2          |
| 08         | Switch, glovebox lamp                                   |                         |  | A132M6018F         | 1          |
| 09         | Extrusion moodlighting door                             |                         | From vin EU/ROW EH_10102<br>USA EH_10043 GCC<br>DH_11111 | A132V0990F         | 2          |

EVORA



**EVORA**  
 17.21

*Updated 1st July 2014*



# Service Parts List



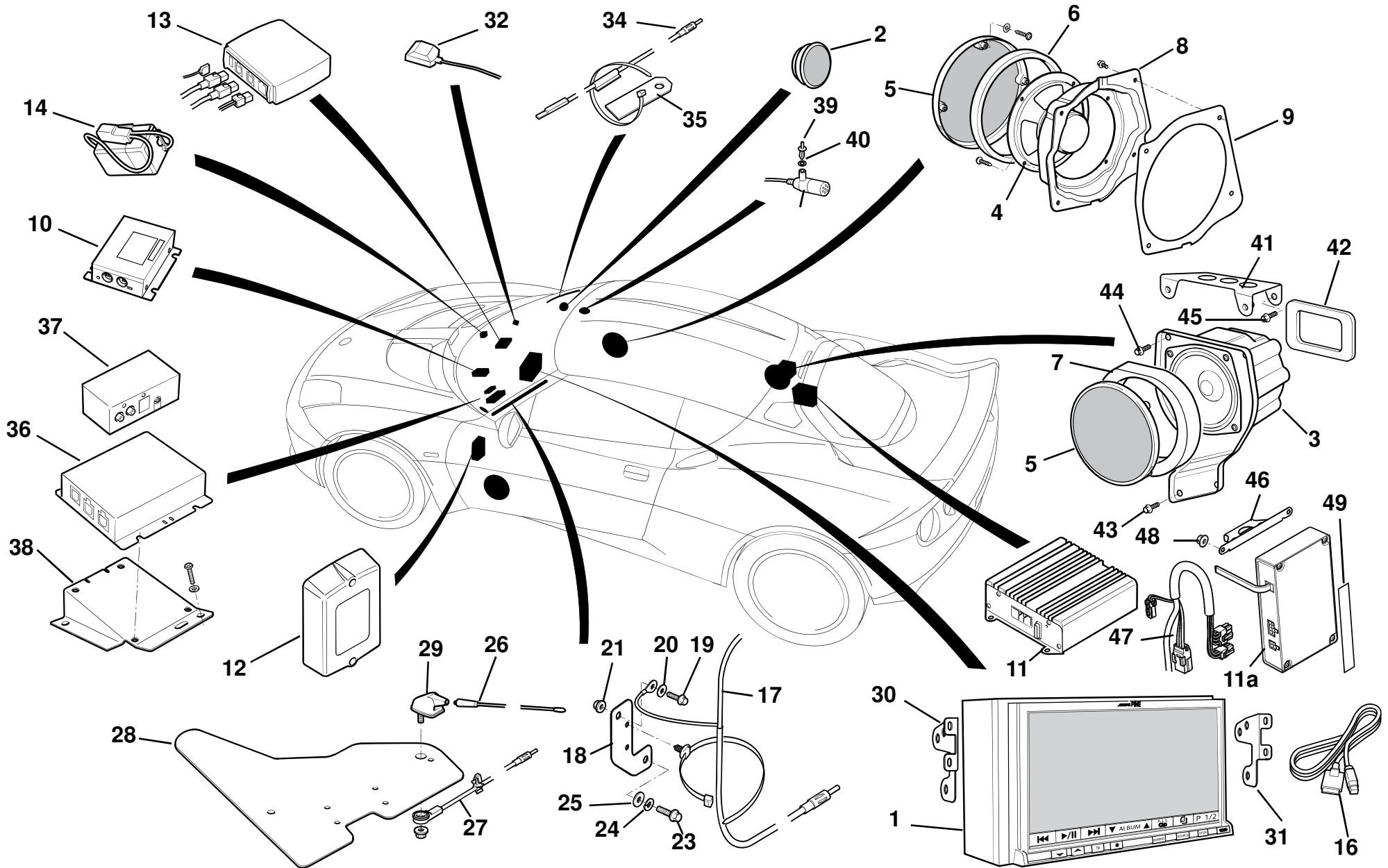
## Function Code 17.21 Windscreen Wiper Motor, Wipers & Washers

| <u>Dep</u> | <u>Part Description</u>        | <u>Remarks</u>    | <u>Option</u>                                | <u>Part Number</u> | <u>Qty</u> |
|------------|--------------------------------|-------------------|--|--------------------|------------|
| 01         | Wiper Drive Assembly, RHD      |                   |  | B132U0062F         | 1          |
| 01a        | Wiper Drive Assembly, LHD      | Not illustrated   |  | B132U0061F         | 1          |
| 02         | Wiper Arm, RHD                 |                   |  | A132U6044F         | 1          |
| 02a        | Wiper Arm, LHD                 | Not illustrated   |  | A132U6043F         | 1          |
| 03         | Wiper Blade, RHD               |                   |  | A132U6048F         | 1          |
| 03a        | Wiper Blade, LHD               | Not illustrated   |  | A132U6047F         | 1          |
| 04         | Nut, M10, flange, arm to pivot |                   |  | A132U6045F         | 1          |
| 05         | Cap, wiper arm                 |                   |  | A132U6046F         | 1          |
| 06         | Washer Bottle Assembly         | Includes grommets |  | A132U6089H         | 1          |
| 06a        | Washer Bottle Assembly         |                   | USA vin BH_11174 , all markets vin, BH_11178 | A132U0575H         | 1          |
| 07         | Washer Pump, windscreen        |                   |  | A132U6027H         | 1          |
| 07a        | Washer Pump, windscreen        |                   | USA vin BH_11174 , all markets vin, BH_11178 | A132U6107H         | 1          |
| 08         | Washer Pump, headlamp          |                   |  | A132U6026H         | 1          |
| 08a        | Washer Pump, headlamp          |                   | USA vin BH_11174 , all markets vin, BH_11178 | A132U6108H         | 1          |
| 09         | Sensor, low fluid level        |                   |  | A132U6091H         | 1          |
| 09a        | Sensor, low fluid level        |                   | USA vin BH_11174 , all markets vin, BH_11178 | A132U6136H         | 1          |



**Function Code 17.21 Windscreen Wiper Motor, Wipers & Washers**

| <u>Dep</u> | <u>Part Description</u>                          | <u>Remarks</u>  | <u>Option</u>                                | <u>Part Number</u> | <u>Qty</u> |
|------------|--|---|--|--------------------|------------|
| 10         | Adaptor, 90 degree, hose to bottle               |   |  | <b>A132U6096H</b>  | 1          |
| 11         | Grommet, adaptor to bottle                       |   |  | <b>A132U6095H</b>  | 1          |
| 12         | Filler Neck Assembly and Windscreen washer hoses |   |  | <b>A132U6024H</b>  | 1          |
| 12a        | Filler Neck Assembly                             |   | USA vin BH_11174 , all markets vin, BH_11178 | <b>A132U6134S</b>  | 1          |
| 13         | Headlamp Washer Hose Assembly, pump to headlamps | Includes, hoses, T-piece, ends & integral black securing clips        |  | <b>A132U6073H</b>  | 1          |
| 13a        | Headlamp Washer Hose Assembly, pump to headlamps | Includes, hoses, T-piece, ends & white securing clips                 | USA vin BH_11174 , all markets vin, BH_11178 | <b>A132U6135S</b>  | 1          |
| 14         | Washer Jet, heated                               |   |  | <b>C132U6025F</b>  | 1          |
| 15         | Grommet. windscreen washer pump                  |   | USA vin BH_11174 , all markets vin, BH_11178 | <b>A132U6117H</b>  | 2          |
| 16         | Grommet. headlamp washer pump                    |   | USA vin BH_11174 , all markets vin, BH_11178 | <b>A132U6106H</b>  | 1          |
| 17         | Grommet. sensor low fluid level                  |   | USA vin BH_11174 , all markets vin, BH_11178 | <b>A132U6109H</b>  | 1          |
| 18         | 'P' Clip Open                                    |   |  | <b>A075W6229F</b>  | 2          |
| 19         | 'R' Lok expansion Rivet                          |   |  | <b>A132W6070F</b>  | 2          |
| 20         | Non Return Valve                                 |   |  | <b>A132U6115H</b>  | 1          |
| 21         | Washer System Assembly                           | Includes filler neck, w/screen and h/lamp hoses, item 14 not included | USA vin BH_11174 , all markets vin, BH_11178 | <b>B132U0574F</b>  | 1          |



**EVORA**

**17.27**

*Updated 5th October 2020*

# Service Parts List



## Function Code 17.27 In Car Entertainment

| <u>Dep</u> | <u>Part Description</u>                       | <u>Remarks</u>  | <u>Option</u>          | <u>Part Number</u> | <u>Qty</u> |
|------------|---|---|------------------------|--------------------|------------|
| 01         | Radio/Cd Player, Alpine, W505R                | 2-DIN, removable sat nav  | Euro / Tech pack       | <b>C132M6073F</b>  | 1          |
| 01a        | Radio/Cd Player, Alpine, VIE-X077             | 2-DIN, removable sat nav  | Japan                  | <b>A132M6074F</b>  | 1          |
| 01b        | Radio, Alpine IVA-W520R                       | 2-DIN, fixed sat nav  | Euro / ROW / Tech pack | <b>A132M6130F</b>  | 1          |
| 01c        | Radio/Cd Player, Alpine, CDE-111RM            | Not illustrated 1-DIN   | Euro                   | <b>A120M6045F</b>  | 1          |
| 01d        | Radio/Cd Player, Alpine, CDE-102Ji            | Not illustrated 1-DIN   | Japan                  | <b>A120M6042F</b>  | 1          |
| 01e        | Radio Pioneer AVIC-930BT                      | 2-DIN   | MY12, Euro not Cyprus  | <b>A132M0247F</b>  | 1          |
| 01f        | Radio Pioneer AVIC-930BT                      | 2-DIN   | MY12, AUS-NZ           | <b>A132M0248F</b>  | 1          |
| 01g        | Radio   | 2-DIN   | MY12, Russia           | <b>A132M0255F</b>  | 1          |
| 01h        | Radio/Cd Player, Alpine, INE-W920R            | 2-DIN, do not use as replacement for other models   |                        | <b>A132M6149F</b>  | 1          |
| 01i        | Radio/Cd Player, Alpine, INE-W920R, in arabic | 2-DIN, do not use as replacement for other models   | GCC                    | <b>A132M6158F</b>  | 2          |
| 01j        | Radio/CD Player, Alpine CDE-171RR             | Not illustrated 1-DIN   |                        | <b>A138M6004F</b>  | 1          |
| 02         | Speaker, tweeter                              |   | Standard               | <b>A132M0140F</b>  | 2          |
| 03         | Speaker Assembly, sub-woofer                  | Not Available order 03a change conector to fit, if retro fitting refer to 17.01 for harness | Tech pack              | <b>A132M0188F</b>  | 1          |
| 03a        | Speaker Assembly, sub-woofer                  | Connector changed   |                        | <b>B132M0188F</b>  | 1          |
| 04         | Speaker, Alpine LUK_SB01B                     | Door mounted  | Standard               | <b>A132M0158F</b>  | 2          |
| 04a        | Speaker, Alpine LUK_WG01                      | Door mounted  | Tech pack              | <b>A132M0159F</b>  | 2          |



**Function Code 17.27 In Car Entertainment**

| <b>Dep</b> | <b>Part Description</b>                         | <b>Remarks</b>   | <b>Option</b>              | <b>Part Number</b> | <b>Qty</b> |
|------------|---|--|----------------------------|--------------------|------------|
| 05         | Speaker Grille, Alpine LUK-WG01, black & chrome |  |                            | <b>A132M0170F</b>  | 3          |
| 05a        | Speaker Grille, black                           |  | MY12                       | <b>A132M0245F</b>  | 3          |
| 06         | Gasket, foam, door speaker                      |  |                            | <b>A132M0173F</b>  | 2          |
| 07         | Gasket, foam, sub-woofer speaker                |  |                            | <b>A132M0186F</b>  | 1          |
| 08         | Mounting Panel, speaker front, LH               |  |                            | <b>B132M4005F</b>  | 1          |
| 08a        | Mounting Panel, speaker front, RH               |  |                            | <b>B132M4006F</b>  | 1          |
| 09         | Gasket, speaker mounting panel, LH              |  |                            | <b>A132M4017F</b>  | 1          |
| 09a        | Gasket, speaker mounting panel, RH              |  |                            | <b>A132M4018F</b>  | 1          |
| 10         | Module, imprint Alpine PXA-H100 audio           | Alpine only  | Optional not Japan         | <b>B132M0143F</b>  | 1          |
| 11         | Amplifier, sub-woofer, Alpine M150              | Unavailable order items 11a & 46-49 and update head unit settings                | Tech pack                  | <b>B132M0142F</b>  | 1          |
| 11a        | Amplifier, sub woofer                           | Retained by brackets on bulkhead   |                            | <b>C132M0142F</b>  | 1          |
| 12         | Module, crossover, Alpine Luk-X01B              | Replaced by B132M0116F harness   | Standard                   | <b>B132M0116F</b>  | 1          |
| 12a        | Module, crossover, Alpine Luk-X02T              |  | Tech pack                  | <b>B132M0160F</b>  | 1          |
| 13         | Module, bluetooth Alpine 400BT                  | Alpine only, 2-DIN fixed sat nav, includes mic & blue tooth cable                | Tech pack not Japan        | <b>A132M6122F</b>  | 1          |
| 14         | Choke, radio                                    | Passenger footwell   | Standard                   | <b>A132M0175F</b>  | 1          |
| 15         | Module, Sat nav head unit 'Blackbird'           | Not illustrated, 2- DIN removable sat nav, includes GPS antenna, mic & USB cable | Tech pack                  | <b>B132M6075F</b>  | 1          |
| 16         | Ipod Adapter                                    | 1-DIN headunit 2-DIN Japan   |                            | <b>A120M6041F</b>  | 1          |
| 17         | Antenna, wallen                                 |  | Standard from vin BH_10948 | <b>A132M6129F</b>  | 1          |



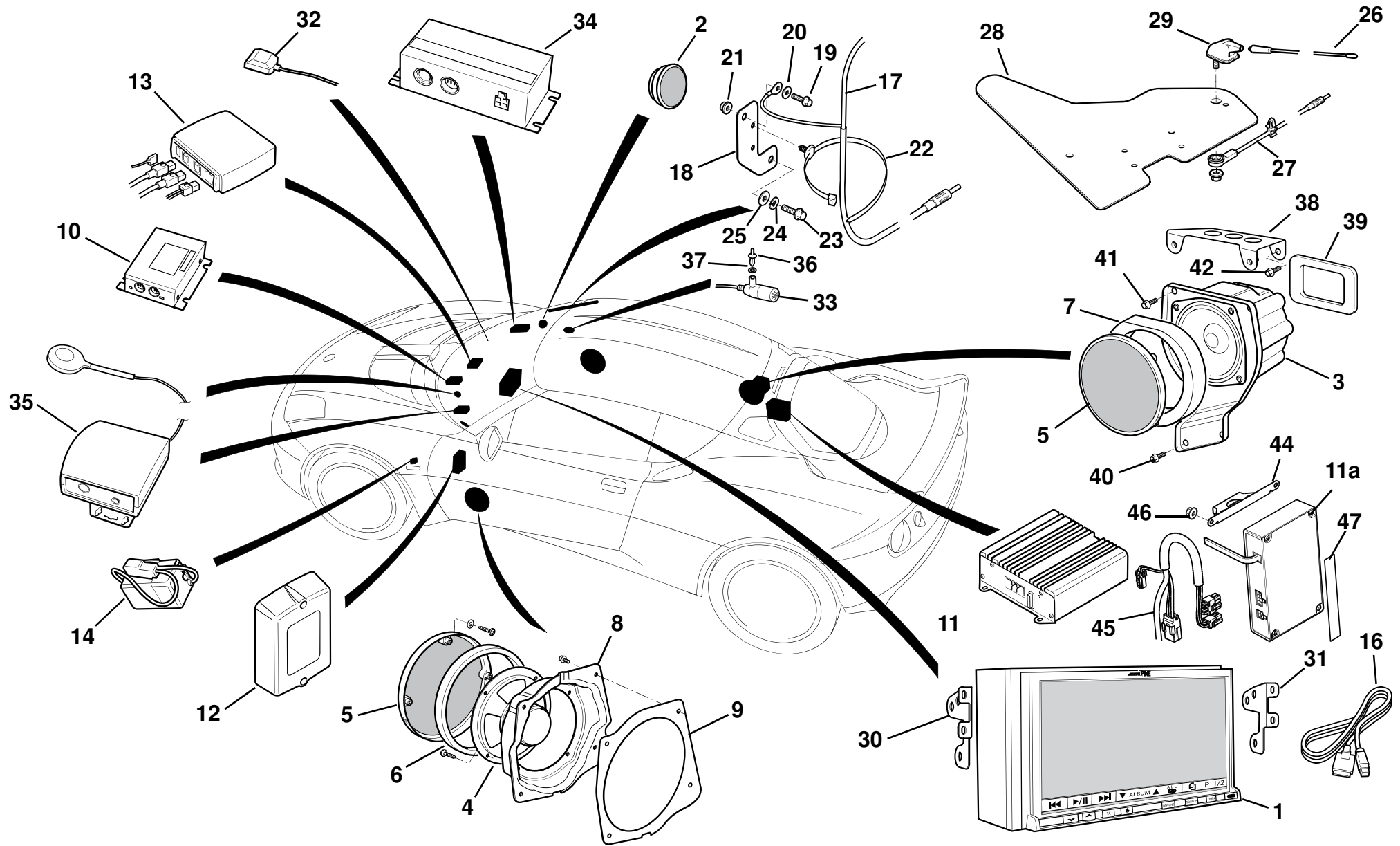
**Function Code 17.27 In Car Entertainment**

| <u>Dep</u> | <u>Part Description</u>                    | <u>Remarks</u>                              | <u>Option</u>                        | <u>Part Number</u> | <u>Qty</u> |
|------------|--|---|--------------------------------------|--------------------|------------|
| 18         | Bracket, antenna                           |   | Standard from vin BH_10948           | <b>A132M0233K</b>  | 1          |
| 19         | Screw M6 x 16 hex, antenna to bracket      |   | Standard from vin BH_10948           | <b>A075W1028Z</b>  | 1          |
| 20         | Washer M6, shakeproof, antenna to bracket  |   | Standard from vin BH_10948           | <b>A075W4046Z</b>  | 1          |
| 21         | Nut M6, antenna to bracket                 |   | Standard from vin BH_10948           | <b>A075W3020Z</b>  | 1          |
| 22         | Cable tie, antenna to bracket              |   | Standard from vin BH_10948           | <b>A116K6020F</b>  | 2          |
| 23         | Bolt M4 x 16, bracket to chassis           |   | Standard from vin BH_10948           | <b>A082W1118F</b>  | 1          |
| 24         | Washer M4 shakeproof, bracket to chassis   |   | Standard from vin BH_10948           | <b>A075W4086F</b>  | 1          |
| 25         | Washer 3/16 x 3/4 flat, bracket to chassis |   | Standard from vin BH_10948           | <b>B075W4009Z</b>  | 1          |
| 26         | Mast, antenna                              | Obsolete use items 17-25                    |                                      | <b>A132M6102F</b>  | 1          |
| 27         | Cable, antenna                             | Obsolete use items 17-25                    |                                      | <b>A132M6103F</b>  | 1          |
| 28         | Ground Plane, antenna                      | Obsolete use items 17-25                    |                                      | <b>A132M0197F</b>  | 1          |
| 29         | Base, antenna                              | Obsolete use items 17-25                    |                                      | <b>A132M6101F</b>  | 1          |
| 30         | Radio Support Bracket, LH                  | Single and double DIN                       |                                      | <b>A132V4207F</b>  | 1          |
| 31         | Radio Support Bracket, RH                  | Single and double DIN                       |                                      | <b>A132V4208F</b>  | 1          |
| 32         | GPS Antenna                                | 2- DIN removable sat nav                    | Tech pack                            | <b>A132M6126H</b>  | 1          |
| 32a        | GPS Antenna                                |   | From vin EH_00043<br>GCC/Japan/China | <b>A132M6157F</b>  | 1          |
| 33         | Bluetooth, mic / lead                      | 2- DIN fixed sat nav                        | Tech pack                            | <b>A132M6147S</b>  | 1          |
| 33a        | Bluetooth, mic / lead                      | Not illustrated, 2-DIN removable<br>sat nav | Tech pack                            | <b>A132M6146S</b>  | 1          |
| 33b        | Microphone                                 |   | From vin EH_00043<br>GCC/Japan/China | <b>A132M6156F</b>  | 1          |



**Function Code 17.27 In Car Entertainment**

| <b>Dep</b> | <b>Part Description</b>                         | <b>Remarks</b> | <b>Option</b>                              | <b>Part Number</b> | <b>Qty</b> |
|------------|---|----------------|--|--------------------|------------|
| 34         | Antenna, TMC                                    |                | Market specific / Tech pack                | <b>A132M6084F</b>  | 1          |
| 35         | Ground Plane, TMC antenna                       |                | Market specific / Tech pack                | <b>A132M0174F</b>  | 1          |
| 36         | Module, sat nav Alpine NVE M300P                | Alpine only    | EU/Row with 2-DIN fixed sat nav and module | <b>A132M6125F</b>  | 1          |
| 37         | Imprint Navigation Interface                    | Alpine only    | EU/Row with 2-DIN fixed sat nav and module | <b>A132M6131F</b>  | 1          |
| 38         | Bracket, sat nav                                | Alpine only    |  | <b>A132M0234F</b>  | 1          |
| 39         | Rivet Rokut, microphone                         |                |  | <b>A079W6195F</b>  | 1          |
| 40         | Washer Neoprene, microphone                     |                |  | <b>A082W4115F</b>  | 1          |
| 41         | Mounting Bracket, subwoofer                     |                |  | <b>B132M0066K</b>  | 1          |
| 42         | Gasket  |                |  | <b>B132M0177F</b>  | 1          |
| 43         | Screw, M6 x20 flg hd. subwoofer lower           |                |  | <b>A132W5004F</b>  | 2          |
| 44         | Screw, M6 x 30, hex. flg. hd., subwoofer upper  |                |  | <b>A124W5294F</b>  | 2          |
| 45         | Screw, M6 x 14, hex. flg. hd., mounting bracket |                |  | <b>A116W5233F</b>  | 2          |
| 46         | Bracket Amplifier                               |                |  | <b>A132M0614G</b>  | 2          |
| 47         | Harness Subwoofer                               | For item 11a   |  | <b>C132M0135F</b>  | 1          |
| 48         | Nut M4 hex flg                                  |                |  | <b>A132M6052F</b>  | 4          |
| 49         | Adhesive Tape                                   |                |  | <b>A100B6142V</b>  | 1          |



**EVORA**

**17.27a**

*Updated 5th October 2020*



# Service Parts List



## Function Code 17.27a In Car Entertainment Fed

| <u>Dep</u> | <u>Part Description</u>               | <u>Remarks</u>   | <u>Option</u> | <u>Part Number</u> | <u>Qty</u> |
|------------|---------------------------------------|--|---------------|--------------------|------------|
| 01         | Radio/Cd Player, Alpine, W505         | 2-DIN, removable sat nav   | USA Tech pack | <b>A132M6104F</b>  | 1          |
| 01a        | Radio, Alpine W900                    | 2-DIN, fixed sat nav   | USA Tech pack | <b>A132M6121F</b>  | 1          |
| 01b        | Radio/Cd Player, Alpine, CDE-102      | Not illustrated, 1-DIN   | USA           | <b>A121M6028F</b>  | 1          |
| 01c        | Radio Pioneer AVIC-930BT              | 2-DIN  | MY12 USA      | <b>A132M0246F</b>  | 1          |
| 01d        | Radio/Cd Player, Alpine, INE-S920HD   | 2-DIN, do not use as replacement for other models  |               | <b>A132M6150F</b>  | 1          |
| 02         | Speaker, tweeter                      |  | Standard      | <b>A132M0140F</b>  | 2          |
| 03         | Speaker Assembly, sub-woofer          | Not Available order 03a change connector to fit, if retro fitting refer to 17.01 for harness | Tech pack     | <b>A132M0188F</b>  | 1          |
| 03a        | Speaker Assembly, sub-woofer          | Connector changed  |               | <b>B132M0188F</b>  |            |
| 04         | Speaker, Alpine LUK_SB01B             | Door mounted   | Standard      | <b>A132M0158F</b>  | 2          |
| 04a        | Speaker, Alpine LUK_WG01              | Door mounted   | Tech pack     | <b>A132M0159F</b>  | 2          |
| 05         | Speaker Grille                        |  |               | <b>A132M0170F</b>  | 3          |
| 05a        | Speaker Grille Alpine LUK-WG01, black |  | MY12          | <b>A132M0245F</b>  | 3          |
| 06         | Gasket, foam, door speaker            |  |               | <b>A132M0173F</b>  | 2          |
| 07         | Gasket, foam, sub-woofer speaker      |  |               | <b>A132M0186F</b>  | 2          |
| 08         | Mounting Panel, speaker front, LH     |  |               | <b>B132M4005F</b>  | 1          |
| 08a        | Mounting Panel, speaker front, RH     |  |               | <b>B132M4006F</b>  | 1          |
| 09         | Gasket, speaker mounting panel, LH    |  |               | <b>A132M4017F</b>  | 1          |



**Function Code 17.27a In Car Entertainment Fed**

| <u>Dep</u> | <u>Part Description</u>                   | <u>Remarks</u>  | <u>Option</u>              | <u>Part Number</u> | <u>Qty</u> |
|------------|---|---|----------------------------|--------------------|------------|
| 09a        | Gasket, speaker mounting panel, RH        |   |                            | <b>A132M4018F</b>  | 1          |
| 10         | Module, imprint Alpine PXA-H100 audio     | Alpine only   | Optional                   | <b>A132M0143F</b>  | 1          |
| 11         | Amplifier, sub-woofer, Alpine M150        | Unavailable order items 11a & 44-47 and update head unit settings           | Tech pack                  | <b>B132M0142F</b>  | 1          |
| 11a        | Amplifier, sub woofer                     |   |                            | <b>C132M0142F</b>  | 1          |
| 12         | Module, crossover, Alpine Luk-X01B        | Replaced by B132M0116F harness  | Standard                   | <b>B132M0116F</b>  | 2          |
| 12a        | Module, crossover, Alpine Luk-X02T        |   | Tech pack                  | <b>B132M0160F</b>  | 2          |
| 13         | Module, bluetooth Alpine 400BT            | Alpine only,2-DIN fixed sat nav, includes mic & blue tooth cable            | Tech pack                  | <b>A132M6122F</b>  | 1          |
| 14         | Choke, radio                              | Passenger footwell  | Standard                   | <b>A132M0175F</b>  | 1          |
| 15         | Module, Sat nav head unit                 | Not illustrated, 2- DIN removable sat nav, includes mic & GPS antenna cable | Tech pack                  | <b>A132M6105F</b>  | 1          |
| 16         | Ipod Adapter                              | 1-DIN headunit  |                            | <b>A120M6041F</b>  | 1          |
| 17         | Antenna, wallen                           |   | Standard from vin BH_10948 | <b>A132M6129F</b>  | 1          |
| 18         | Bracket, antenna                          |   | Standard from vin BH_10948 | <b>A132M0233K</b>  | 1          |
| 19         | Screw M6 x 16 hex, antenna to bracket     |   | Standard from vin BH_10948 | <b>A075W1028Z</b>  | 1          |
| 20         | Washer M6, shakeproof, antenna to bracket |   | Standard from vin BH_10948 | <b>A075W4046Z</b>  | 1          |
| 21         | Nut M6, antenna to bracket                |   | Standard from vin BH_10948 | <b>A075W3020Z</b>  | 1          |
| 22         | Cable tie, antenna to bracket             |   | Standard from vin BH_10948 | <b>A116K6020F</b>  | 2          |
| 23         | Bolt M4 x 16, bracket to chassis          |   | Standard from vin BH_10948 | <b>A082W1118F</b>  | 1          |
| 24         | Washer M4 shakeproof, bracket to chassis  |   | Standard from vin BH_10948 | <b>A075W4086F</b>  | 1          |



**Function Code 17.27a In Car Entertainment Fed**

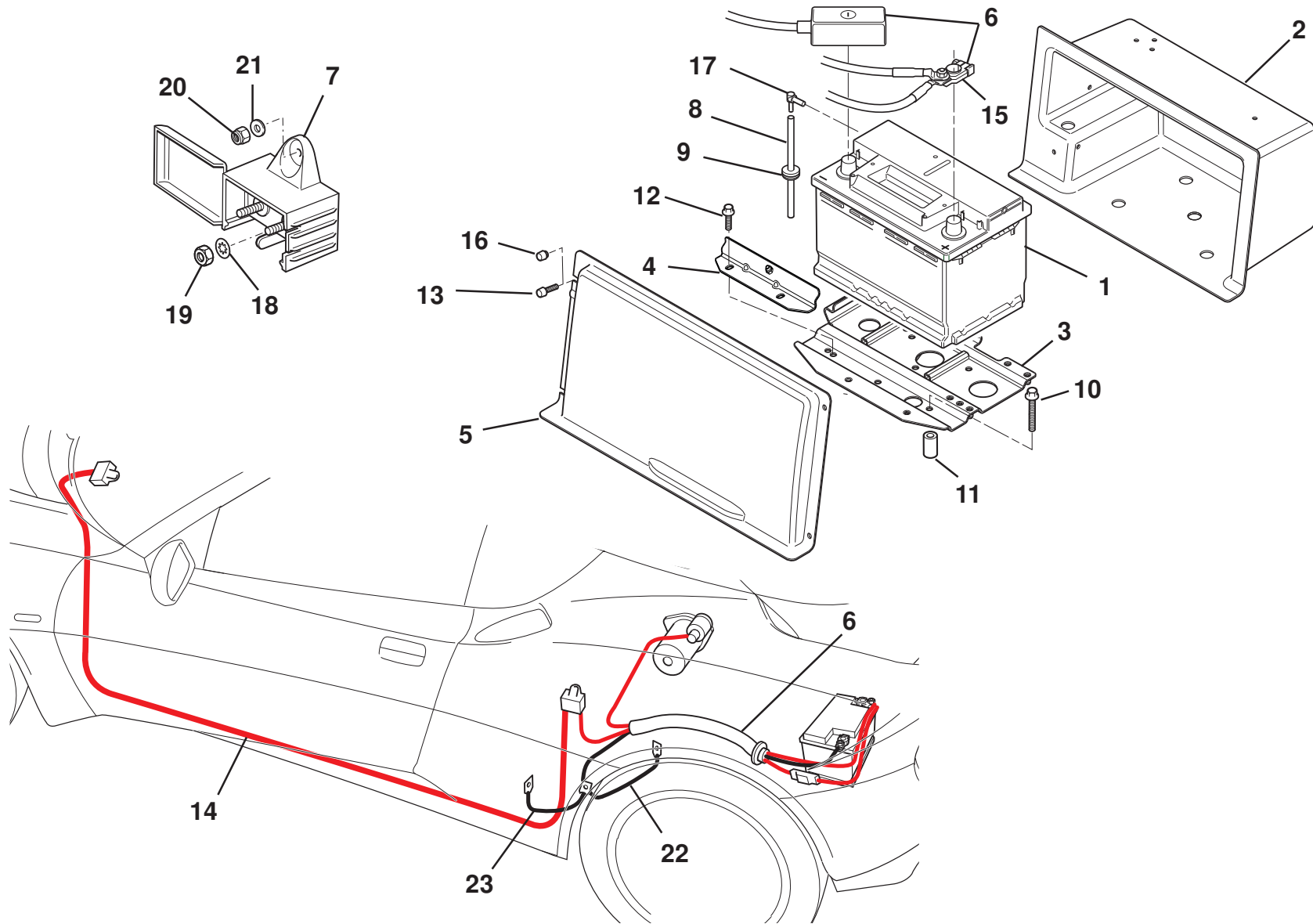
| <b>Dep</b> | <b>Part Description</b>                        | <b>Remarks</b>                           | <b>Option</b>              | <b>Part Number</b> | <b>Qty</b> |
|------------|--|--|----------------------------|--------------------|------------|
| 25         | Washer 3/16 x 3/4 flat, bracket to chassis     |  | Standard from vin BH_10948 | <b>B075W4009Z</b>  | 1          |
| 26         | Mast, antenna                                  | Obsolete use items 17-25                 |                            | <b>A132M6102F</b>  | 1          |
| 27         | Cable, antenna                                 | Obsolete use items 17-25                 |                            | <b>A132M6103F</b>  | 1          |
| 28         | Ground Plane, antenna                          | Obsolete use items 17-25                 |                            | <b>A132M0197F</b>  | 1          |
| 29         | Base, antenna                                  | Obsolete use items 17-25                 |                            | <b>A132M6101F</b>  | 1          |
| 30         | Radio Support Bracket, LH                      | Single and double DIN                    |                            | <b>A132V4207F</b>  | 1          |
| 31         | Radio Support Bracket, RH                      | Single and double DIN                    |                            | <b>A132V4208F</b>  | 1          |
| 32         | GPS Antenna                                    | Removable sat nav                        | Tech pack                  | <b>A132M6126H</b>  | 1          |
| 33         | Bluetooth, mic / lead                          | 2-DIN, fixed sat nav                     | Tech pack                  | <b>A132M6147S</b>  | 1          |
| 33a        | Bluetooth, mic / lead                          | Not illustrated, 2-DIN removable sat nav | Tech pack                  | <b>A132M6146S</b>  | 1          |
| 34         | Radio Interface, Alpine KCA-SC100              | Alpine only                              | USA Tech pack              | <b>A132M6107F</b>  | 1          |
| 34a        | Module Sirius Interface CD-OB10                | Pioneer only                             | MY12                       | <b>A132M0253F</b>  | 1          |
| 35         | Tuner, Satellite Sirius 20SCC1                 |  | USA Tech pack              | <b>A132M6108F</b>  | 1          |
| 35a        | Tuner, Satellite Sirius SVX200B                |  | USA Tech pack              | <b>A132M6148F</b>  | 1          |
| 36         | Rivet Rokut, microphone                        |  |                            | <b>A079W6195F</b>  | 1          |
| 37         | Washer Neoprene, microphone                    |  |                            | <b>A082W4115F</b>  | 1          |
| 38         | Mounting Bracket, subwoofer                    |  |                            | <b>B132M0066K</b>  | 1          |
| 39         | Gasket   |  |                            | <b>B132M0177F</b>  | 1          |
| 40         | Screw, M6 x20 flg hd. subwoofer lower          |  |                            | <b>A132W5004F</b>  | 2          |
| 41         | Screw, M6 x 30, hex. flg. hd., subwoofer upper |  |                            | <b>A124W5294F</b>  | 2          |



---

**Function Code 17.27a In Car Entertainment Fed**

| <u>Dep</u> | <u>Part Description</u>                         | <u>Remarks</u>  | <u>Option</u> | <u>Part Number</u> | <u>Qty</u> |
|------------|---|---|---------------|--------------------|------------|
| 42         | Screw, M6 x 14, hex. flg. hd., mounting bracket |   |               | A116W5233F         | 2          |
| 43         | Foam Pad  | Not illustrated, 2 off for item 34, 2 off for item 35 |               | A132U0260F         | 4          |
| 44         | Bracket Amplifier                               |   |               | A132M0614G         | 1          |
| 45         | Harness Subwoofer                               |   |               | C132M0135F         | 1          |
| 46         | Nut M4 hex flg                                  |   |               | A132M6052F         | 4          |
| 47         | Adhesive Tape                                   |   |               | A100B6142V         | 1          |



**EVORA**  
17.31

*Updated 5th February 2018*

# Service Parts List



## Function Code 17.31 Battery, Clamps & Cables

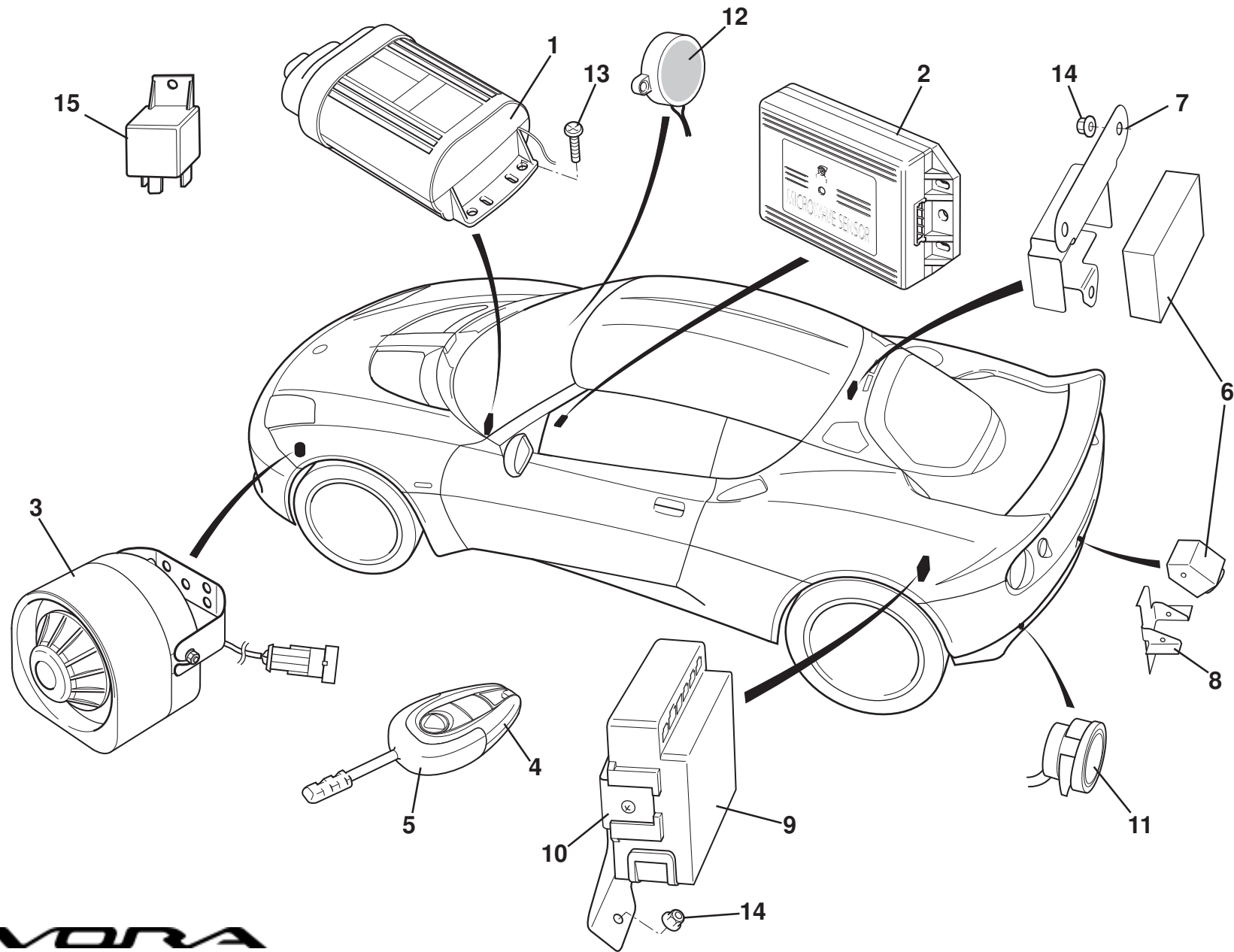
| <u>Dep</u> | <u>Part Description</u>                      | <u>Remarks</u>                                     | <u>Option</u> | <u>Part Number</u> | <u>Qty</u> |
|------------|--|--|---------------|--------------------|------------|
| 01         | Battery, Varta 72Ah Blue Dynamic             |  |               | A132M6029F         | 1          |
| 02         | Battery Box                                  |  |               | E132B0071F         | 1          |
| 03         | Battery Tray Assembly                        |  |               | B132M0025F         | 1          |
| 04         | Clamp, battery to tray                       |  |               | A132M0060F         | 1          |
| 05         | Cover, battery housing                       | 3 fixings, fitted under boot carpet without cutout |               | B132U0115F         | 1          |
| 05a        | Cover, battery housing                       | 4 fixings, boot carpet with cutout                 |               | C132U0115F         | 1          |
| 06         | Harness, battery                             |  |               | C132M0049F         | 1          |
| 07         | Binding Post Assembly                        | Skuttle & rear bulkhead                            |               | A340M6007F         | 2          |
| 08         | Tube, battery vent                           |  |               | B132M0050F         | 1          |
| 09         | Grommet, vent tube to battery box            |  |               | A124W6790F         | 1          |
| 10         | Screw, M8 x 45, hex. flg. hd., tray fixing   |  |               | A132W2001F         | 4          |
| 11         | Spacer, battery tray, 27.5mm                 |  |               | A132M0144F         | 4          |
| 12         | Screw, M6 x 12, hex. flg. hd., clamp to tray |  |               | A132W5010F         | 2          |
| 13         | Thumbscrew, M6 x 10, cover fixing            |  |               | A124W5302F         | 2          |
| 13         | Thumbscrew, M6 x 10, cover fixing            |  |               | A124W5302F         | 2          |
| 14         | Cable, fusebox, RHD, 3240mm                  | Positive stud to fusebox stud                      | Prior MY12    | B132M0004F         | 1          |
| 14a        | Cable, fusebox, RHD, 3590mm                  | Positive stud to fusebox stud                      | MY12          | C132M0004F         | 1          |
| 15         | Battery Clamp, positive                      |  |               | A132M6143F         | 1          |



---

**Function Code 17.31 Battery, Clamps & Cables**

| <u>Dep</u> | <u>Part Description</u>                  | <u>Remarks</u>    | <u>Option</u>         | <u>Part Number</u> | <u>Qty</u> |
|------------|--|-------------------|-----------------------|--------------------|------------|
| 15a        | Battery Clamp, negative                  |                   |                       | A132M6186F         | 1          |
| 16         | Knurled Knob, battery cover              | Use with item 05a |                       | A124W5304F         | 4          |
| 17         | Elbow                                    |                   |                       | A132W6028F         | 1          |
| 18         | Washer Shakeproof M8                     |                   |                       | A075W4048Z         | 2          |
| 19         | Nut M8                                   |                   |                       | A075W3021Z         | 2          |
| 20         | Nyloc M5, battery post                   |                   |                       | A075W3008Z         | 1          |
| 21         | Washer Flat 3/16 x 1/2 x16, battery post |                   |                       | A075W4000Z         | 1          |
| 22         | Cable Earth, engine                      | See also 17.01    |                       | B132M0007F         | 1          |
| 22a        | Cable Earth, engine                      | See also 17.01    | Auto (NA & S/Charged) | A132M0216F         | 1          |
| 23         | Briad ECU Plate                          | See also 17.01    |                       | A132M0227F         | 1          |



**EVORA**

**17.33**

*Updated 1st December 2013*



# Service Parts List

# EVORA



## Function Code 17.33 Security Alarm System, Parking Sensors & Camera

| <u>Dep</u> | <u>Part Description</u>                                 | <u>Remarks</u>                            | <u>Option</u>          | <u>Part Number</u> | <u>Qty</u> |
|------------|---|---|------------------------|--------------------|------------|
| 01         | Alarm ECU, PFK  | Includes 2 transmitter fobs               |                        | B132M0154F         | 1          |
| 02         | Microwave Sensor, PFK                                   |   |                        | A132M0119F         | 1          |
| 02a        | Adhesive Tape, double sided, microwave sensor retention | Not illustrated                           |                        | A117B6043V         | As reg     |
| 03         | Siren, PFK  | Includes bracket, fixings                 |                        | B132M6082F         | 1          |
| 04         | Transmitter Fob   | Programme transmitter using PIN           |                        | A132M6099S         | 2          |
| 05         | Key Blade, cut  | Supply key code                           |                        | A132H0056S         | 2          |
| 05a        | Key Blade, uncut  |   |                        | B132H0018S         | 2          |
| 06         | Camera Kit, reversing, Alpine HCE-C105                  |   |                        | A132M6086F         | 1          |
| 06a        | Cable, reversing camera                                 | Not illustrated                           |                        | B132M0068F         | 1          |
| 07         | Bracket, camera module mounting                         |   |                        | A132M0120F         | 1          |
| 08         | Bracket, reversing camera mounting                      |   |                        | A132U0166F         | 1          |
| 09         | Rear Parking Aid ECU                                    |   |                        | A132M0092F         | 1          |
| 09a        | Rear Parking Aid ECU                                    |   | S/Charged (man & auto) | A132M0235F         | 1          |
| 10         | Bracket, parking aid ECU                                |   |                        | A132M0121F         | 1          |
| 11         | Sensor Kit, parking aid system                          | Harness & sensors excluding ECU & Sounder |                        | B132M0151F         | 1          |
| 12         | Sounder, parking aid                                    |   |                        | A132M0191F         | 1          |
| 13         | Screw, M4 x 12, pan pozi., ECU to chassis               |   |                        | A100W5143F         | 2          |
| 14         | Nyloc Nut, M5, flg., bracket to bootbox                 |   |                        | A132W3000F         | 2          |

EVORA

Function Code: 17.33, Page: 1

Updated 3rd May 2016

---

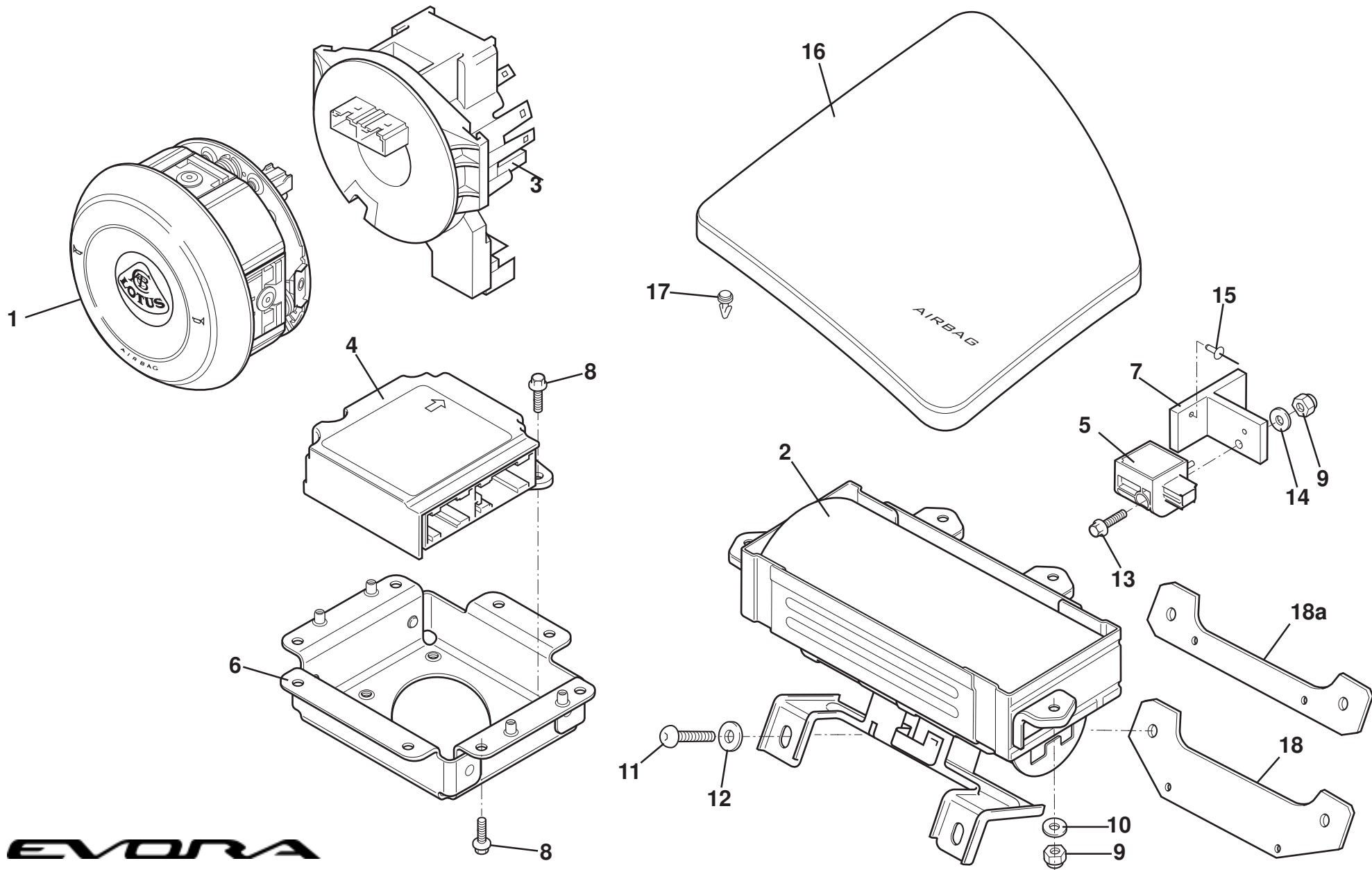
**Function Code 17.33 Security Alarm System, Parking Sensors & Camera**

| <u>Dep</u> | <u>Part Description</u> | <u>Remarks</u> | <u>Option</u> | <u>Part Number</u> | <u>Qty</u> |
|------------|-------------------------|----------------|---------------|--------------------|------------|
| 15         | Tilt Sensor             |                | Dutch market  | A132M6119F         | 1          |

---

NOTE: For full information on all  
Lotus Security Sytems, see  
LSL483g

---



**EVORA**  
17.35

*Updated 27th October 2010*

# Service Parts List



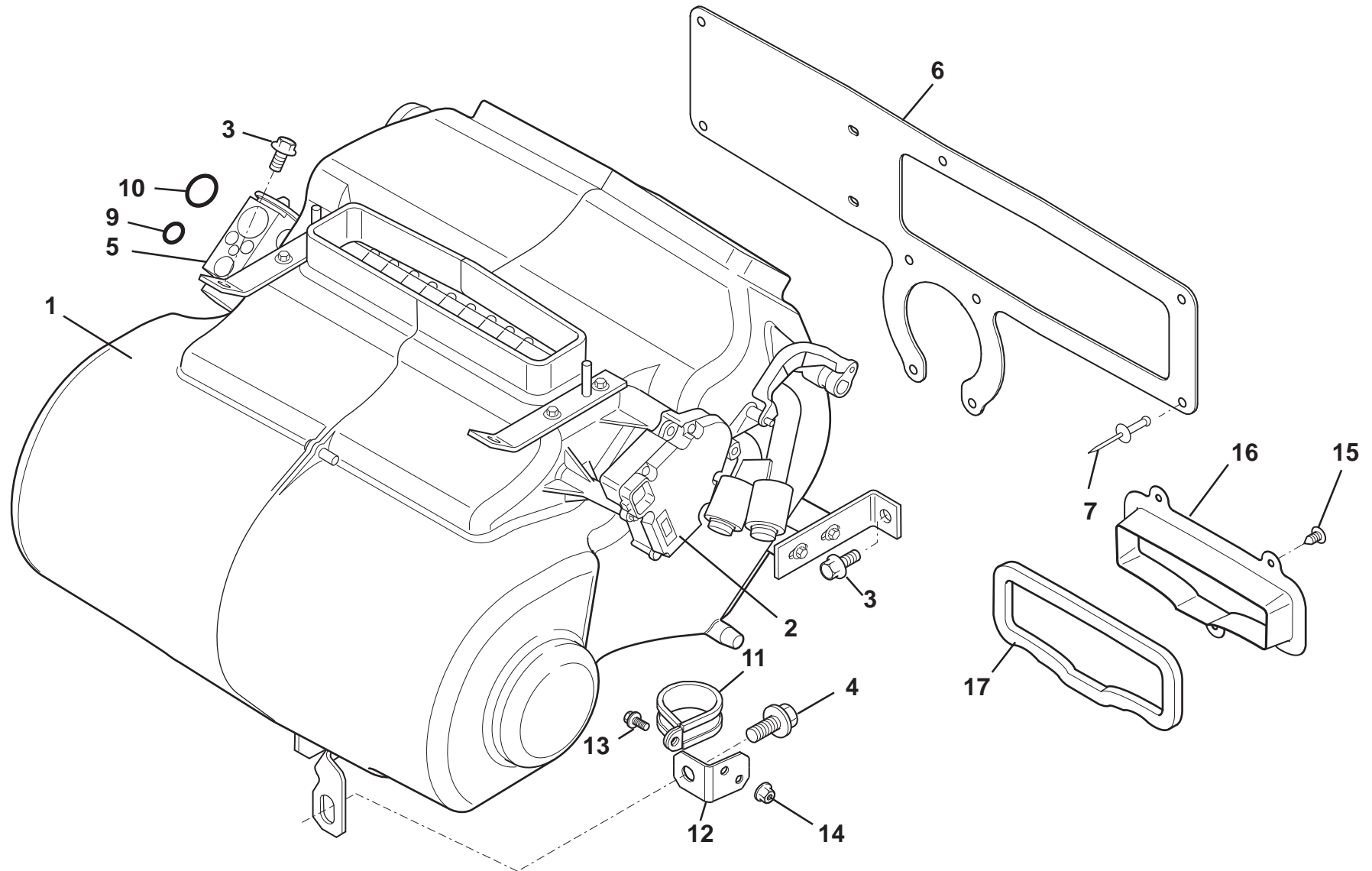
## Function Code 17.35 Other Electrical, SIR: Inflator Modules, DERM & Sensors

| <u>Dep</u> | <u>Part Description</u>                                    | <u>Remarks</u>       | <u>Option</u>                                    | <u>Part Number</u> | <u>Qty</u> |
|------------|--|----------------------|--|--------------------|------------|
| 01         | Airbag Module, driver, dual stage                          | Includes Lotus badge | Non USA/GCC up to vin<br>BH_11177                | <b>A132U6014F</b>  | 1          |
| 01a        | Airbag Module, driver, dual stage                          |                      | All USA/GCC and all markets<br>from vin BH_11178 | <b>A132U0551F</b>  | 1          |
| 02         | Airbag Module, passenger, dual stage                       |                      | Non USA/GCC up to vin<br>BH_11177                | <b>A132U6015F</b>  | 1          |
| 02a        | Airbag Module, passenger, dual stage                       |                      | All USA/GCC and all markets<br>from vin BH_11178 | <b>A132U0494F</b>  | 1          |
| 03         | Rotary Contact Unit, SIR wheel                             |                      | Common   | <b>A132M6072F</b>  | 1          |
| 04         | ECU, airbag control  |                      | Non USA/GCC up to vin<br>BH_11177                | <b>B132M6067F</b>  | 1          |
| 04a        | ECU, airbag control  |                      | All USA/GCC and all markets<br>from vin BH_11178 | <b>A132M0208F</b>  | 1          |
| 05         | Airbag Forward Crash Sensor                                |                      | Non USA/GCC up to vin<br>BH_11177                | <b>B132B6021F</b>  | 2          |
| 06         | Bracket, ECU mounting                                      |                      | Common   | <b>B132A0261K</b>  | 1          |
| 07         | Bracket, sensor to front subframe                          |                      | Non USA/GCC up to vin<br>BH_11177                | <b>A132A0314F</b>  | 2          |
| 08         | Screw, M6 x 16, hex. flg. hd., bracket & ECU retention     |                      |  | <b>A132W5003F</b>  | 11         |
| 09         | Nyloc Nut, M6, passenger airbag & sensors fixing           |                      |  | <b>A075W3009F</b>  | 6          |
| 10         | Washer, flat, M6 x 15 x 1.5, pass. airbag & sensors fixing |                      |  | <b>A082W4133F</b>  | 6          |



**Function Code 17.35 Other Electrical, SIR: Inflator Modules, DERM & Sensors**

| <u>Dep</u> | <u>Part Description</u>                                     | <u>Remarks</u>                       | <u>Option</u>                                 | <u>Part Number</u> | <u>Qty</u> |
|------------|---|--------------------------------------|---|--------------------|------------|
| 11         | Screw, M8 x 20, button hd., black, pass. airbag to chassis  | Use with non USA/GCC airbag, item 02 | Euro  | <b>A075W7022F</b>  | 2          |
| 11a        | Screw, M10 x 20, button hd., black, pass. airbag to chassis | Use with airbag, item 02a            | All USA/GCC and all markets from vin BH_11178 | <b>A132W5040F</b>  | 2          |
| 12         | Washer, flat, M8 x 16.5 x 1.6 S/S, pass. airbag to chassis  | Use with non USA/GCC airbag, item 02 | Euro  | <b>A111W4175F</b>  | 2          |
| 12a        | Washer, flat, M10 x 20 x 1.8 S/S, pass. airbag to chassis   | Use with airbag, item 02a            | All USA/GCC and all markets from vin BH_11178 | <b>A075W4024Z</b>  | 2          |
| 13         | Screw, M6 x 20, hex. flg. hd, sensor to bracket             |                                      |   | <b>A132W5004F</b>  | 2          |
| 14         | Washer, flat, M6 x 12.1 x 1.4, sensor to bracket            |                                      |   | <b>A075W4013F</b>  | 2          |
| 15         | Pop Rivet, bracket to subframe                              |                                      |   | <b>A132W6018F</b>  | 4          |
| 16         | Cover Assembly, passenger airbag, LHD                       | See 14.05                            |   |                    | 1          |
| 16a        | Cover Assembly, passenger airbag, RHD                       | See 14.05                            |   |                    | 1          |
| 17         | Clip, cover to panel  |                                      |   | <b>B121U0117F</b>  | 2          |
| 18         | Airbag Nut Plate Assembly, fitted to chassis                |                                      | All markets                                   | <b>A132A0422F</b>  | 1          |
| 18a        | Airbag Nut Plate Assembly, fitted to chassis                |                                      | All USA/GCC and all markets from vin BH_11178 | <b>B132A0370F</b>  | 1          |
| 18b        | Airbag Nut Plate Assembly, fitted to chassis                | M8 fixing                            | Euro  | <b>A132A0370F</b>  | 1          |



**EVORA**

**18.01**

*Updated 1st April 2015*

# Service Parts List



## Function Code 18.01 Heater/ Air Conditioning Assemblies, Housings

| <u>Dep</u> | <u>Part Description</u>                         | <u>Remarks</u> | <u>Option</u> | <u>Part Number</u> | <u>Qty</u> |
|------------|---|----------------|---------------|--------------------|------------|
| 01         | Heater/AC Housing Assembly                      | *              |               | D132P0003F         | 1          |
| 02         | Actuator, Recirculation or Temperature Control  |                |               | B132P0017H         | 2          |
| 03         | Screw, M8 x 16, hex. flg. hd., unit fixing      |                |               | A132W5013F         | 4          |
| 04         | Bolt. M10 x 30, hex. flg. hd., unit fixing      |                |               | A132W2004F         | 3          |
| 05         | Expansion Valve (TVX)                           |                |               | A132P0107H         | 1          |
| 06         | Adaptor Plate, HVAC recirculation               |                |               | B132A0264F         | 1          |
| 07         | Rivet. adaptor plate, chassis                   |                |               | A111W6613F         | 9          |
| 09         | 'O' Ring, No. 10, expansion valve to evaporator |                |               | A082P6080F         | 1          |
| 10         | 'O' Ring, No. 8, expansion valve to evaporator  |                |               | A082P6079F         | 1          |
| 11         | 'P' Clip  |                |               | A132W6008F         | 1          |
| 12         | Bracket   |                |               | C132J0017F         | 1          |
| 13         | Screw M5 x 16 hex flg hd                        |                |               | A132W5016F         | 1          |
| 14         | Nut Nyloc M5 hex flg                            |                |               | A132W3000F         | 1          |
| 15         | Fir Tree Fastener, button hd., cowl fixing      |                |               | A132W6006F         | 3          |
| 16         | Cowl. HVAC recirc. air inlet footwell           |                |               | A132P0056F         | 1          |
| 17         | Foam Seal, cowl to footwell                     |                |               | A132P0014F         | 1          |



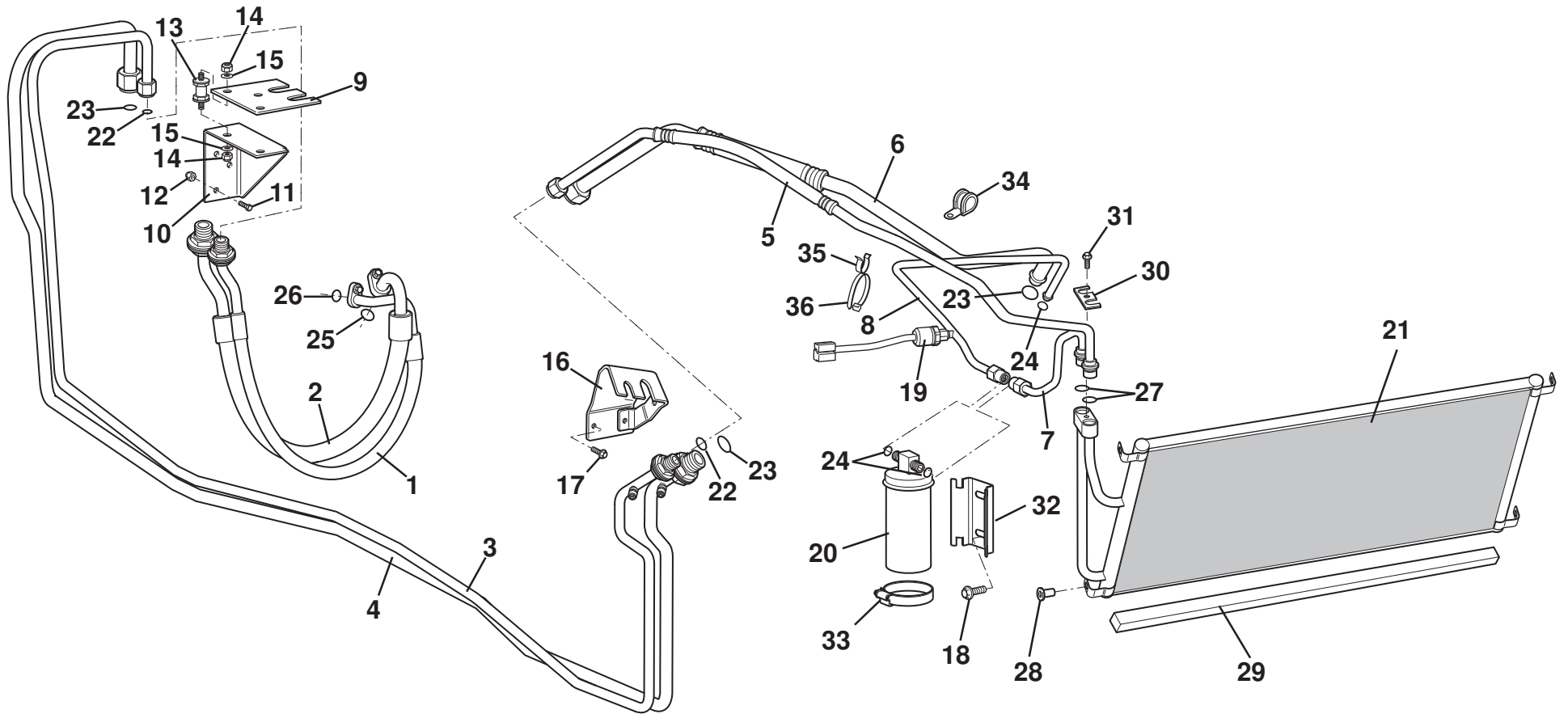
---

**Function Code 18.01 Heater/ Air Conditioning Assemblies, Housings**

| <u>Dep</u> | <u>Part Description</u> | <u>Remarks</u>   | <u>Option</u> | <u>Part Number</u> | <u>Qty</u> |
|------------|-------------------------|--|---------------|--------------------|------------|
|            |                         | *The D level assembly is wider than previous levels fitted at SOP. If replacing an assembly prior to 10MY vin AH_10901 also change the RH steering rack mounting bracket with the latest level bracket see 32.03 |               |                    |            |

---





**EVORA**  
18.03

*Updated 16th January 2013*

# Service Parts List



## Function Code 18.03 AC Components, Pipes, Hoses

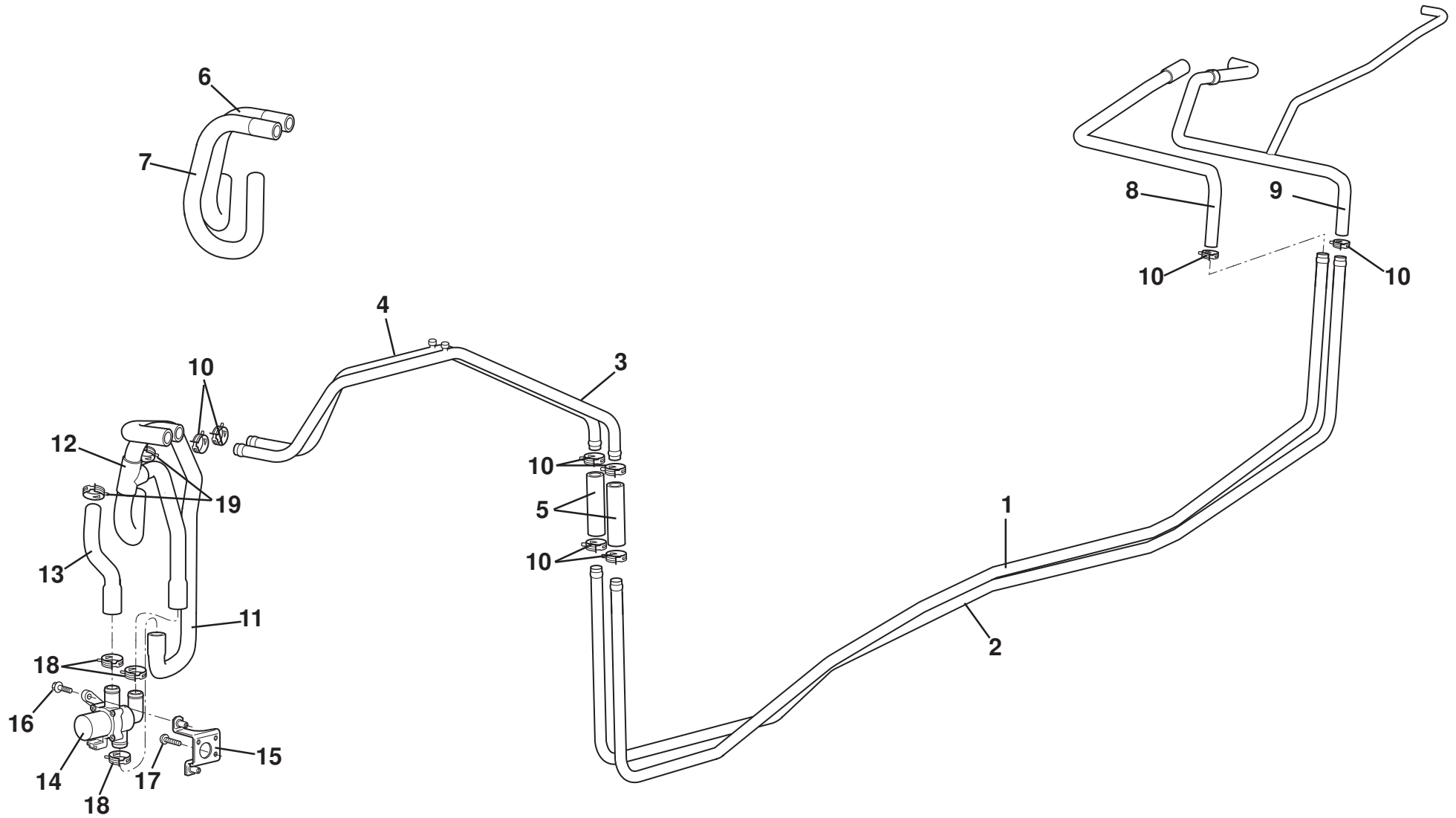
| <u>Dep</u> | <u>Part Description</u>                             | <u>Remarks</u> | <u>Option</u>  | <u>Part Number</u> | <u>Qty</u> |
|------------|---|----------------|----------------|--------------------|------------|
| 01         | Hose, compressor discharge                          |                |                | B132P0024F         | 1          |
| 02         | Hose, compressor suction                            |                |                | B132P0027F         | 1          |
| 03         | Pipe Assembly, compressor discharge                 |                |                | B132P0025F         | 1          |
| 04         | Pipe Assembly, compressor suction                   |                | B132P0026F R/B | C132P0026F         | 1          |
| 05         | Pipe Assembly, body to condensor                    |                | B132P0029F R/B | C132P0029F         | 1          |
| 06         | Pipe, expansion valve to body pipe, suction, RHD    |                |                | B132P0034F         | 1          |
| 06a        | Pipe, expansion valve to body pipe, suction, LHD    |                |                | B132P0035F         | 1          |
| 07         | Pipe, condensor to receiver drier                   |                | B132P0030F R/B | C132P0030F         | 1          |
| 08         | Pipe, receiver drier to expansion valve, RHD        |                |                | B132P0032F         | 1          |
| 08a        | Pipe, receiver drier to expansion valve, LHD        |                |                | B132P0033F         | 1          |
| 09         | Bracket, pipe isolator mounting                     |                |                | B132P0028F         | 1          |
| 10         | Bracket, pipe mounting                              |                |                | B132P0050F         | 1          |
| 11         | Setscrew, M8 x 16, hex. hd., rear bracket retention |                |                | A075W1036Z         | 3          |
| 12         | Nyloc Nut, M8, rear bracket retention               |                |                | A075W3010Z         | 3          |
| 13         | Bobbin, pipe isolation                              |                |                | A132P6004F         | 3          |
| 14         | Nyloc Nut, M5, bobbin to brackets                   |                |                | A075W3009Z         | 6          |
| 15         | Washer, flat, M6 x 12 x 1.4, bobbin to brackets     |                |                | A075W4013Z         | 6          |
| 16         | Bracket, front pipes mounting                       |                |                | B132P0057F         | 1          |



**Function Code 18.03 AC Components, Pipes, Hoses**

| <u>Dep</u> | <u>Part Description</u>                                 | <u>Remarks</u>                                | <u>Option</u> | <u>Part Number</u> | <u>Qty</u> |
|------------|---|---|---------------|--------------------|------------|
| 17         | Screw, M6 x 16, hex. flg. hd., front bracket to chassis |   |               | A132W5003F         | 2          |
| 18         | Screw, M8 x 16, hex. flg. hd., receiver drier fix.      |   |               | A132W5013F         | 2          |
| 19         | Trinary Switch  |   |               | A117P0059F         | 1          |
| 20         | Receiver Drier Assembly                                 |   |               | A132P6011F         | 1          |
| 21         | Condenser   | Riv nut item 28 not supplied as part of assy. |               | B132P0001F         | 1          |
| 22         | 'O; Ring, No, 8, pipe joints                            |   |               | A082P6079F         | 2          |
| 23         | 'O; Ring, No.12, pipe joints                            |   |               | A082P6081F         | 3          |
| 24         | 'O; Ring, No. 6, pipe joints                            |   |               | A082P6078F         | 5          |
| 25         | 'O' Ring, compressor to suction line                    |   |               | A120P6016H         | 1          |
| 26         | 'O' Ring, compressor to discharge line                  |   |               | A120P6017H         | 1          |
| 27         | 'O' Ring, 18mm O/D, condenser to pipes                  | Refer to Service Bulletin 2009/05             |               | A120P6002H         | 2          |
| 28         | Riv Nut. Condenser                                      |   |               | A132K0065S         | 4          |
| 29         | Foam Radiator Sealing                                   |   |               | A132K0047F         | 1          |
| 30         | Bracket condenser pipework retainer                     |   |               | A132P0064F         | 1          |
| 31         | Bolt M6 x 14, flg hd, bracket to condenser              |   |               | A116W5233F         | 1          |
| 32         | Bracket Receiver Drier                                  |   |               | A132P0080F         | 1          |
| 33         | Hose Clamp, receiver drier                              |   |               | A132W6027F         | 2          |
| 34         | 'P' Clip  |   |               | A111W6666F         | 1          |
| 35         | Clip Pipe   |   |               | A132W6047F         | 1          |
| 36         | Clip Tie Wrap   |   |               | A082W6324F         | 1          |





**EVORA**  
**18.05**

*Updated 1st August 2013*

# Service Parts List

# EVORA



Function Code 18.05 Heater, Pipes, Hoses

| <u>Dep</u> | <u>Part Description</u>                    | <u>Remarks</u>                  | <u>Option</u>    | <u>Part Number</u> | <u>Qty</u> |
|------------|--|---------------------------------|------------------|--------------------|------------|
| 01         | Pipe, heater feed                          |                                 |                  | B132K0022F         | 1          |
| 02         | Pipe, heater return                        |                                 |                  | B132K0023F         | 1          |
| 03         | Pipe, heater feed, front                   |                                 |                  | B132K0036F         | 1          |
| 04         | Pipe, heater return, front                 |                                 |                  | B132K0037F         | 1          |
| 05         | Hose, pipes connecting                     |                                 |                  | B132K0014F         | 2          |
| 06         | Hose, heater return, RHD                   | If fitted                       | Non water valve  | B132K0018F         | 1          |
| 06a        | Hose, heater return, LHD                   | If fitted                       | Non water valve  | B132K0019F         | 1          |
| 07         | Hose, heater feed, RHD                     | If fitted                       | Non water valve  | B132K0016F         | 1          |
| 07a        | Hose, heater feed, LHD                     | If fitted                       | Non water valve  | B132K0017F         | 1          |
| 08         | Hose, heater feed, re-circ. pump to heater |                                 |                  | B132K0005F         | 1          |
| 08a        | Hose, heater feed, re-circ. pump to heater |                                 | Auto             | A132F0092F         | 1          |
| 09         | Hose, heater return                        |                                 |                  | C132K0006F         | 1          |
| 09a        | Hose, heater return                        |                                 | Auto             | A132K0107F         | 1          |
| 10         | Hose Clamp, hoses to pipes                 |                                 |                  | A116K6016F         | 8          |
| 11         | Hose, heater by-pass feed, RHD             |                                 |                  | A132K0056F         | 1          |
| 11a        | Hose, heater by-pass feed, LHD             |                                 |                  | A132K0055F         | 1          |
| 12         | Hose, heater by-pass return, RHD           | Fitted with internal restrictor | From vin A_11360 | B132K0058F         | 1          |
| 12a        | Hose, heater by-pass return, LHD           | Fitted with internal restrictor | From vin A_11360 | B132K0057F         | 1          |

EVORA

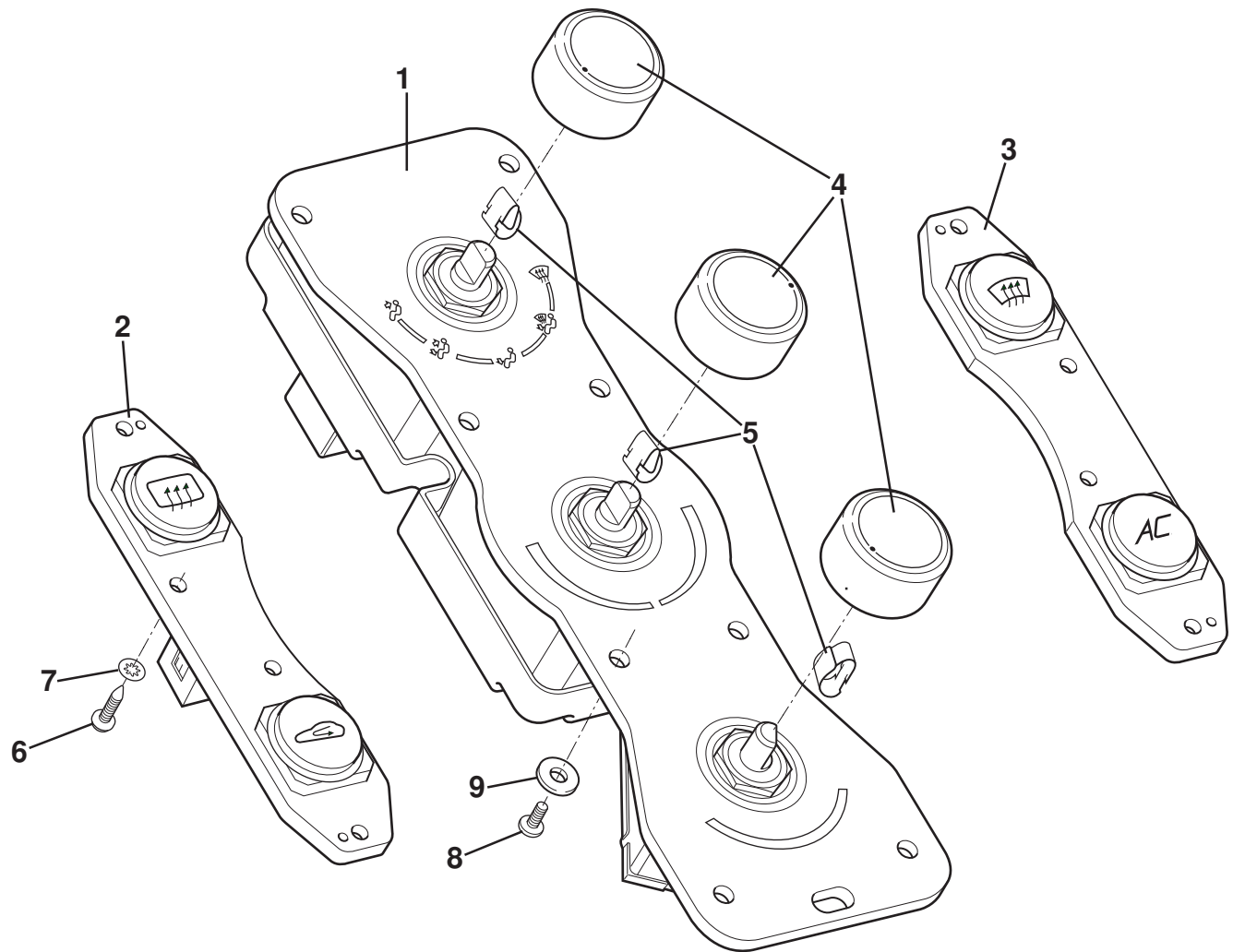
Function Code: 18.05, Page: 1

Updated 7th September 2020

---

**Function Code 18.05 Heater, Pipes, Hoses**

| <u>Dep</u> | <u>Part Description</u>                         | <u>Remarks</u> | <u>Option</u> | <u>Part Number</u> | <u>Qty</u> |
|------------|---|----------------|---------------|--------------------|------------|
| 13         | Hose, water valve to heater, RHD                |                |               | A132K0060F         | 1          |
| 13a        | Hose, water valve to heater, LHD                |                |               | A132K0059F         | 1          |
| 14         | Water Valve, heater by-pass                     |                |               | A132P6005F         | 1          |
| 15         | Bracket, water valve mounting                   |                |               | A132P0105F         | 1          |
| 16         | Bolt, M6 x 20, hex. flg. Hhd., valve to bracket |                |               | A117W2203F         | 2          |
| 17         | Screw, M6 x 25, button hd., bracket fixing      |                |               | A075W7016Z         | 3          |
| 18         | Hose Clamp, hoses to water valve                |                |               | A132W6021F         | 3          |
| 19         | Hose Clamp, hoses to pipes                      |                |               | A132W6022F         | 2          |



**EVORA**

**18.09**

**2010/01**

# Service Parts List

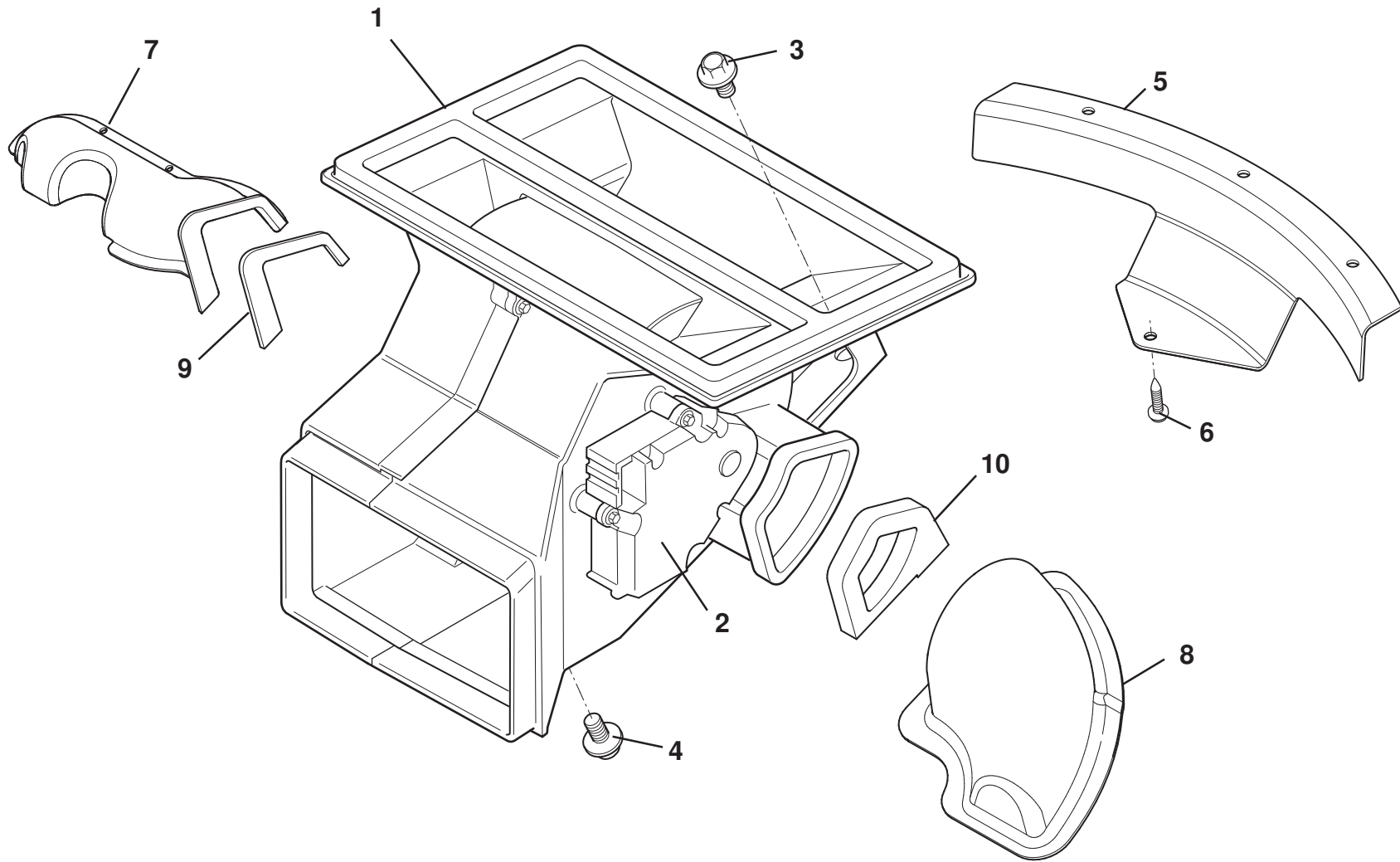


## Function Code 18.09 Driver Operated Controls

| <u>Dep</u> | <u>Part Description</u>                                      | <u>Remarks</u> | <u>Option</u> | <u>Part Number</u> | <u>Qty</u> |
|------------|--|----------------|---------------|--------------------|------------|
| 01         | Switch Panel Assembly, HVAC                                  |                |               | B132M0039F         | 1          |
| 02         | Switch Panel Assembly, RECIRC-HRS                            |                |               | B132M0103F         | 1          |
| 03         | Switch Panel Assembly, AC-demist                             |                |               | B132M0104F         | 1          |
| 04         | Knob, HVAC controls  |                |               | B132U0154F         | 3          |
| 05         | Clip, spring, HVAC knob retaining                            |                |               | A132W6034F         | 3          |
| 06         | Screw, M3 x 8, flg. pan. pozi. S/T, switch panel to finisher |                |               | A132W5020F         | 8          |
| 07         | Washer, shakeproof, M3, switch panel to finisher             |                |               | A132W4001F         | 8          |
| 08         | Screw, M3 x 6, pan pozi., switch panel to finisher           |                |               | A132W5019F         | 8          |
| 09         | Washer, flat, 1/8" x 3/8", switch panel to finisher          |                |               | A075W4001Z         | 8          |







**EVORA**  
18.12

*Updated 1st December 2014*

# Service Parts List

# EVORA



## Function Code 18.12 AC/Heater Air Distribution Plenum

| <u>Dep</u> | <u>Part Description</u>                    | <u>Remarks</u> | <u>Option</u> | <u>Part Number</u> | <u>Qty</u> |
|------------|--|----------------|---------------|--------------------|------------|
| 01         | Air Distribution Unit                      |                |               | B132P0047F         | 1          |
| 02         | Actuator, distribution drum                |                |               | A117M6052S         | 1          |
| 03         | Screw, M8 x 16, hex. flg. hd., unit fixing |                |               | A132W5013F         | 2          |
| 04         | Screw, M8 x 20, hex. flg. hd., unit fixing |                |               | A132W5005F         | 2          |
| 05         | HVAC Baffle, instrument panel LHD          |                |               | A132V4361F         | 1          |
| 05a        | HVAC Baffle, instrument panel RHD          |                |               | A132V4362F         | 1          |
| 06         | Screw No 6 x 3/4 flg pozi                  |                |               | A075W5028Z         | 3          |
| 07         | Duct HVAC Outlet Driver Side RHD           |                |               | A132P0092F         | 1          |
| 07a        | Duct HVAC Outlet Driver Side LHD           |                |               | A132P0091F         | 1          |
| 08         | Duct HVAC ADU to Footwell RHD              |                |               | B132P0063F         | 1          |
| 08a        | Duct HVAC ADU to Footwell LHD              |                |               | B132P0062F         | 1          |
| 09         | Seal, duct HVAC outlet driver side RHD     |                |               | A132P0094F         | 1          |
| 09a        | Seal, duct HVAC outlet driver side LHD     |                |               | A132P0093F         | 1          |
| 10         | Seal, HVAC ADU to footwell LHS, RHD        |                |               | B132P0019F         | 1          |
| 10a        | Seal, HVAC ADU to footwell RHS, LHD        |                |               | B132P0020F         | 1          |

EVORA



# Service Parts List

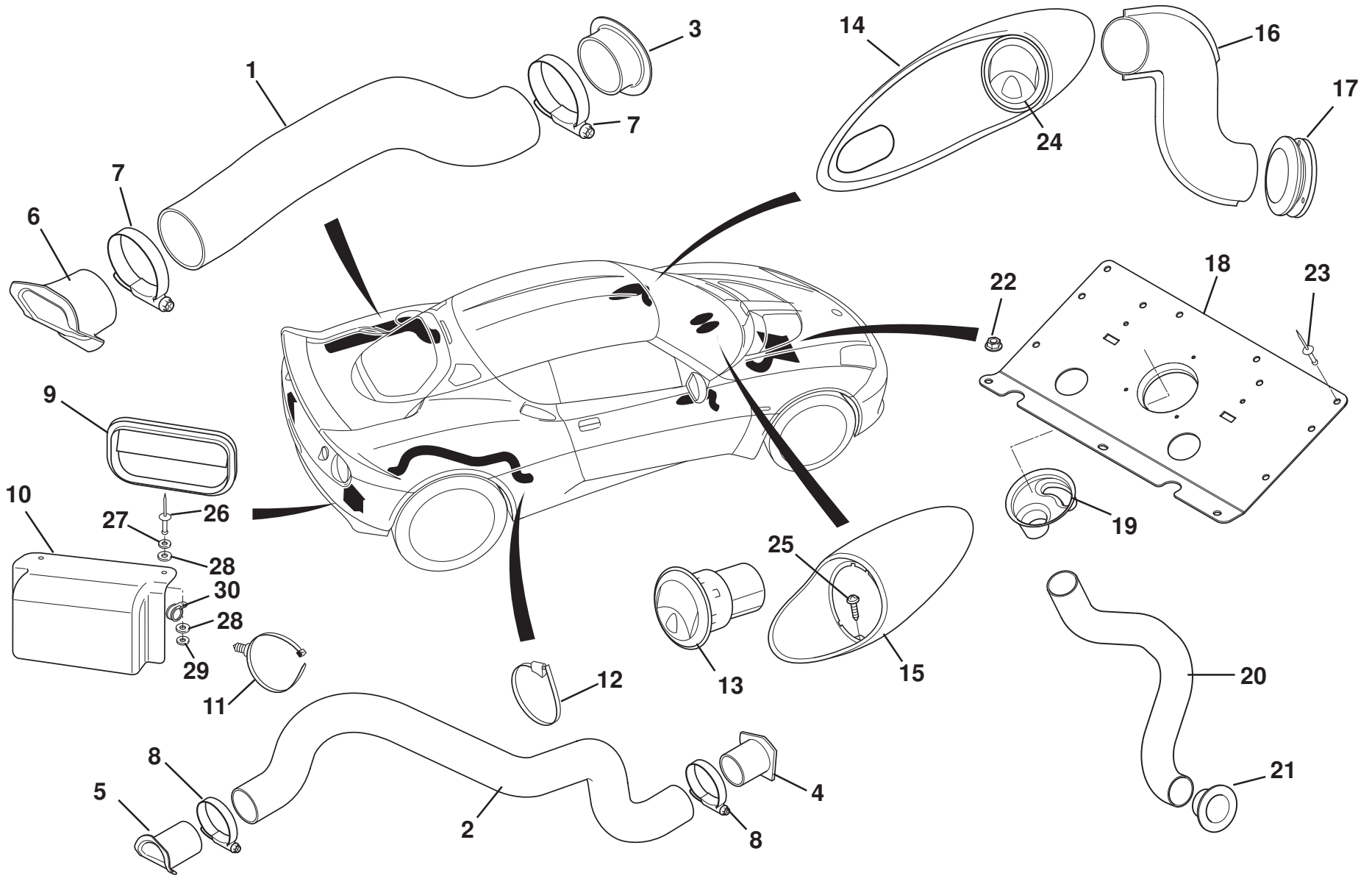
# EVORA



## Function Code 18.13 Air Trunking, Ducts & Ventilators

| <u>Dep</u> | <u>Part Description</u>                             | <u>Remarks</u> | <u>Option</u>  | <u>Part Number</u> | <u>Qty</u> |
|------------|---|----------------|----------------|--------------------|------------|
| 01         | Duct, HVAC air intake                               |                | B132U0384F R/B | A132U0536F         | 1          |
| 02         | Duct, inlet, RHD                                    |                |                | B132P0040F         | 1          |
| 02a        | Duct, inlet, LHD                                    |                |                | B132P0039F         | 1          |
| 03         | Pollen Filter                                       |                |                | B132P0038F         | 1          |
| 04         | Duct, outlet, RHD                                   |                |                | B132P0036F         | 1          |
| 04a        | Duct, outlet, LHD                                   |                |                | B132P0037F         | 1          |
| 05         | Plastic Fastener, duct retention                    |                |                | A100W6481F         | 3          |
| 06         | Screw, M4 x 12, pan pozi. hd. black, duct retention |                |                | A100W5143F         | 4          |
| 07         | Washer, flat, M5 x 19, S/S black, duct retention    |                |                | B082W4107F         | 4          |
| 08         | Gasket Pollen Filter Access                         |                |                | A132U0537F         | 1          |

EVORA



**EVORA**

**18.13a**

*Updated 4th September 2015*

# Service Parts List

# EVORA



## Function Code 18.13a Air Trunking, Ducts & Face Level Vents

| <u>Dep</u> | <u>Part Description</u>                  | <u>Remarks</u> | <u>Option</u>     | <u>Part Number</u> | <u>Qty</u> |
|------------|--|----------------|-------------------|--------------------|------------|
| 01         | Duct, ventilation, LH                    |                |                   | A132P0081F         | 1          |
| 02         | Duct, ventilation, RH                    |                |                   | A132P0082F         | 1          |
| 03         | Adaptor, vent to cabin, LH               |                |                   | A132P4003K         | 1          |
| 04         | Adaptor, vent to cabin, RH               |                |                   | A132P4004K         | 1          |
| 05         | Adaptor, vent to bootbox, RH             |                |                   | A132P4006K         | 1          |
| 06         | Adaptor, vent to bootbox, LH             |                |                   | A132P4005K         | 1          |
| 07         | Hose Clip, 80-100mm, LH duct to adaptors |                |                   | A132W6035F         | 2          |
| 08         | Hose Clip, 50-70mm, RH duct to adaptors  |                |                   | A132W6027F         | 2          |
| 09         | Valve, non-return, cabin ventilation     |                |                   | A132P6010F         | 2          |
| 10         | Shield, non-return valve, RH             |                |                   | A132U4424F         | 1          |
| 10a        | Shield, non-return valve, LH             |                |                   | A132U4423F         | 1          |
| 11         | Cable Tie, 280mm, with fir tree 8mm      |                |                   | A132W6029F         | 3          |
| 12         | Cable Tie, stud mount                    |                |                   | A132W6038F         | 1          |
| 13         | Face Level Vent instrument panel         |                |                   | A132U0987S         | 2          |
| 14         | Carrier, face level vent, door           |                | black             | A132U0184F         | 2          |
| 14a        | Carrier, face level vent, door, leather  |                | MY12, Black       | A132V0813S         | 2          |
| 14b        | Carrier, face level vent, door, leather  |                | MY12, Ivory White | A132V0814S         | 2          |
| 14c        | Carrier, face level vent, door, leather  |                | MY12, Venom Red   | A132V0815S         | 2          |

EVORA

**Function Code 18.13a Air Trunking, Ducts & Face Level Vents**

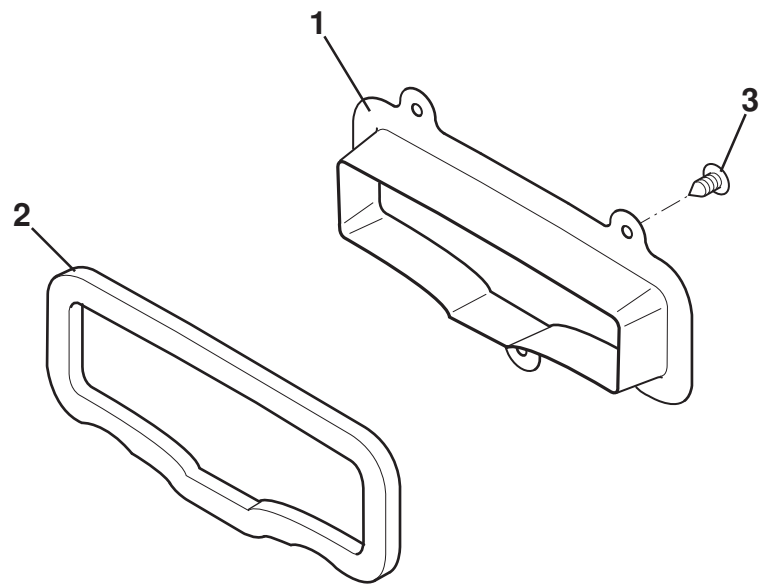
| <u>Dep</u> | <u>Part Description</u>                  | <u>Remarks</u>  | <u>Option</u>       | <u>Part Number</u> | <u>Qty</u> |
|------------|--|-----------------|---------------------|--------------------|------------|
| 14d        | Carrier, face level vent, door, leather  |                 | MY12, Ash Grey      | <b>A132V0816S</b>  | 2          |
| 14e        | Carrier, face level vent, door, leather  |                 | MY12, Cognac Brown  | <b>A132V0817S</b>  | 2          |
| 14f        | Carrier, face level vent, door, leather  |                 | MY12, Cocoa Brown   | <b>A132V0818S</b>  | 2          |
| 14g        | Carrier, face level vent, door, leather  |                 | MY12, Imperial Blue | <b>A132V0819S</b>  | 2          |
| 14h        | Carrier, face level vent, door, leather  | Red stitching   | MY12, Ebony Black   | <b>A132V0820S</b>  | 2          |
| 14i        | Carrier, face level vent, door, leather  | Black stitching | MY12, Venom Red     | <b>A132V0821S</b>  | 2          |
| 14j        | Carrier, face level vent, door, leather  | Black stitching | MY12, Cocoa Brown   | <b>A132V0822S</b>  | 2          |
| 14k        | Carrier, face level vent, door, leather  | Black stitching | MY12, Imperial Blue | <b>A132V0823S</b>  | 2          |
| 15         | Carrier, face level vent, door, leather  |                 | Black               | <b>B132U0177F</b>  | 2          |
| 15a        | Carrier, face level vent fascia, leather |                 | MY12, Black         | <b>A132V0824S</b>  | 2          |
| 15b        | Carrier, face level vent fascia, leather |                 | MY12, Ivory White   | <b>A132V0825S</b>  | 2          |
| 15c        | Carrier, face level vent fascia, leather |                 | MY12, Venom Red     | <b>A132V0826S</b>  | 2          |
| 15d        | Carrier, face level vent fascia, leather |                 | MY12, Ash Grey      | <b>A132V0827S</b>  | 2          |
| 15e        | Carrier, face level vent fascia, leather |                 | MY12, Cognac Brown  | <b>A132V0828S</b>  | 2          |
| 15f        | Carrier, face level vent fascia, leather |                 | MY12, Cocoa Brown   | <b>A132V0829S</b>  | 2          |
| 15g        | Carrier, face level vent fascia, leather |                 | MY12, Imperial Blue | <b>A132V0830S</b>  | 2          |
| 15h        | Carrier, face level vent fascia, leather | Red stitching   | MY12, Ebony Black   | <b>A132V0831S</b>  | 2          |
| 15i        | Carrier, face level vent fascia, leather | Black stitching | MY12, Venom Red     | <b>A132V0832S</b>  | 2          |
| 15j        | Carrier, face level vent fascia, leather | Black stitching | MY12, Cocoa Brown   | <b>A132V0833S</b>  | 2          |
| 15k        | Carrier, face level vent fascia, leather | Black stitching | MY12, Imperial Blue | <b>A132V0834S</b>  | 2          |
| 16         | Duct, assembly, door FLV, LH             |                 |                     | <b>B132V4229J</b>  | 1          |



**Function Code 18.13a Air Trunking, Ducts & Face Level Vents**

| <u>Dep</u> | <u>Part Description</u>                | <u>Remarks</u> | <u>Option</u> | <u>Part Number</u> | <u>Qty</u> |
|------------|--|----------------|---------------|--------------------|------------|
| 16a        | Duct, assembly, door FLV, RH           |                |               | B132V4230J         | 1          |
| 17         | Bellows, door FLV duct                 |                |               | A132U0030F         | 2          |
| 18         | Access Cover, pedal box opening        |                |               | C132A0257F         | 1          |
| 19         | Adaptor Duct, underbody                |                | LHD           | A132P0112F         | 1          |
| 20         | HVAC Footwell Duct                     |                | LHD           | A132P0113F         | 1          |
| 21         | Adaptor Duct                           |                | LHD           | A132P0114F         | 1          |
| 22         | Nut M6, hex flg, access cover, chassis |                |               | A117W3180F         | 3          |
| 23         | Rivet, access cover, chassis           |                |               | A089W6297F         | 8          |
| 24         | Face Level Vent, door                  |                |               | A132V0315K         | 2          |
| 25         | Screw No 6 x 3/4 flg pozi              |                |               | A075W5028Z         | 4          |
| 26         | Rivet                                  |                |               | A111W6614F         | 2          |
| 27         | Washer, 3/16 x 1/2                     |                |               | A075W4000Z         | 2          |
| 28         | Washer M5, neoprene                    |                |               | A082W4115F         | 4          |
| 30         | 'P' Clip                               |                |               | A075W6228F         | 2          |
| 39         | Washer M5                              |                |               | A075W4011Z         | 2          |





**EVORA**

18.14

---

**Function Code 18.14 AC Air Recirculation System**

| <u>Dep</u> | <u>Part Description</u>                    | <u>Remarks</u> | <u>Option</u> | <u>Part Number</u> | <u>Qty</u> |
|------------|--|----------------|---------------|--------------------|------------|
| 01         | Cowl. HVAC recirc. air inlet               |                |               | A132P0056F         | 1          |
| 02         | Foam Seal, cowl to bulkhead                |                |               | A132P0014F         | 1          |
| 03         | Fir Tree Fastener, button hd., cowl fixing |                |               | A132W6006F         | 3          |



# Service Parts List

# EVORA



## Function Code 19.01 Labels, Certificates, Literature etc.

| <u>Dep</u> | <u>Part Description</u>                   | <u>Remarks</u>                 | <u>Option</u>    | <u>Part Number</u> | <u>Qty</u> |
|------------|---|--------------------------------|------------------|--------------------|------------|
| 01         | Label, E mark, on rear footwell           | Contact Lotus Type Approval    |                  | Not listed         | 1          |
| 02         | Label, VIN barcode                        | Special order only, see LSL632 | Common           | A132U0127K         | 1          |
| 03         | Label, OBD                                |                                | Common           | A132U0343F         | 1          |
| 04         | Label, VIN, chassis type 122              | Special order only, see LSL632 | Euro/ROW         | A132U0133K         | 1          |
| 05         | Decal, fuel filler flap                   |                                | Common           | A121B0063F         | 1          |
| 06         | Label, luggage loading                    | On tailgate                    | Common           | A132U0136F         | 1          |
| 06a        | Label, luggage loading, 50Kg, GCC         | On tailgate                    | Gulf States only | A132U0560F         | 1          |
| 06b        | Label, luggage loading, 50Kg, Canada      | On tailgate                    | Canada only      | A132U0326F         | 1          |
| 07         | Label, jacking point arrow                |                                | Common           | A132U0558F         | 4          |
| 08         | Label, warning window regulator           |                                | Common           | A132U0243F         | 2          |
| 09         | Label, warning child seat, S. Africa      |                                | Common           | A120B0211F         | 1          |
| 10         | Label, VIN windscreen                     | Special order only, see LSL632 | Common           | A132U0126K         | 1          |
| 11         | Label, tyre loading, Australia            | On driver's door               | Australia only   | B132U0516F         | 1          |
| 12         | Label, tyre placard, 2+2, federal, 18, 19 | On driver's door               | USA              | A132U0552F         | 1          |
| 12a        | Label, tyre placard, 2+0, federal, 18, 19 | On driver's door               | USA              | A132U0553F         | 1          |
| 12b        | Label, tyre placard, 2+2, federal, 19, 20 | On driver's door               | USA              | A132U0688F         | 1          |
| 12c        | Label, tyre placard, 2+0, federal, 19, 20 | On driver's door               | USA              | A132U0743F         | 1          |
| 12d        | Label, tyre placard, 2+2, GCC             | On driver's door               | Gulf States only | B132U0556F         | 1          |

EVORA

Function Code: 19.01, Page: 1

Updated 5th September 2016

**Function Code 19.01 Labels,Certificates, Literature etc.**

| <u>Dep</u> | <u>Part Description</u>                          | <u>Remarks</u>                     | <u>Option</u>                       | <u>Part Number</u> | <u>Qty</u> |
|------------|--|------------------------------------|-------------------------------------|--------------------|------------|
| 12e        | Label, tyre placard, 2+0, GCC                    | On driver's door                   | Gulf States only                    | B132U0557F         | 1          |
| 12f        | Label, tyre placard, 2+2, Canada,18, 19          | On driver's door                   | Canada only                         | A132U0554F         | 1          |
| 12g        | Label, tyre placard, 2+0, Canada,18, 19          | On driver's door                   | Canada only                         | A132U0555F         | 1          |
| 12h        | Label, tyre placard, 2+2, Canada,19, 20          | On driver's door                   | Canada only                         | A132U0744F         | 1          |
| 12i        | Label, tyre placard, 2+0, Canada,19, 20          | On driver's door                   | Canada only                         | A132U0745F         | 1          |
| 13         | Label, fuel consumption Australia                | On windscreen                      | Australia only                      | A132U0100F         | 1          |
| 13a        | Label, fuel consumption Australia, sports ratios | On windscreen                      | Australia only                      | A132U0505F         | 1          |
| 13b        | Label, fuel consumption Australia                | On windscreen                      | Evora S Australia only              | B132U0737F         | 1          |
| 13c        | Label, fuel consumption Australia                | On windscreen                      | Evora S Australia only, option tyre | B132U0738F         | 1          |
| 13d        | Label, fuel consumption Australia                | On windscreen                      | Auto, Australia only                | A132U0739F         | 1          |
| 13e        | Label, fuel consumption Australia                | On windscreen                      | Evora S Auto                        | A132U0740F         | 1          |
| 14         | Label, ISOFIX top teather logo                   | On rear seat                       | Common                              | A132V6059F         | 4          |
| 15         | Label, ISOFIX logo                               | On rear seat                       | Common                              | A132V0288F         | 4          |
| 16         | Label, oil level warning                         | On intake manifold                 | Common                              | A132U0460F         | 1          |
| 17         | Label, federal cert DOT-2G- FE 280NA             | On LH 'B' post, Special order only | USA/Canada                          | A132U0504J         | 1          |
| 17a        | Label, Canadian certification                    | On LH 'B' post, Special order only | Canada only                         | A082U7859K         | 1          |
| 17b        | Label, vehicle informatiom, GCC                  | On LH 'B' post, Special order only | Gulf States only                    | B120U0132K         | 1          |
| 18         | Label, luggage loading, 2+0 only                 | On rear quarter trim               | Common                              | A132U0462F         | 1          |
| 18a        | Label, luggage loading, 20Kg, GCC                | On rear quarter trim               | Gulf States only                    | A132U0561F         | 1          |
| 18b        | Label, luggage loading, 20Kg, Canada             | On rear quarter trim               | Canada only                         | A132U0559F         | 1          |

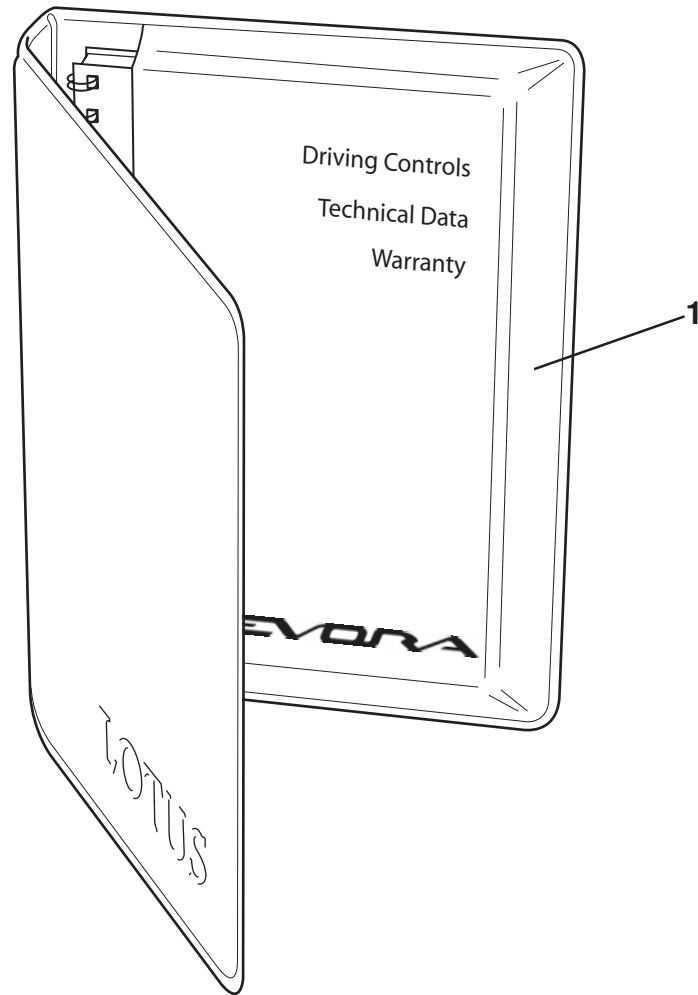


**Function Code 19.01 Labels,Certificates, Literature etc.**

| <u>Dep</u> | <u>Part Description</u>                  | <u>Remarks</u>  | <u>Option</u>       | <u>Part Number</u> | <u>Qty</u> |
|------------|--|-----------------|---------------------|--------------------|------------|
| 19         | Label, DOT, standard gearbox             | Not illustrated | USA                 | A132U0562F         | 1          |
| 19a        | Label, DOT, sports gearbox               | Not illustrated | USA                 | A132U0563F         | 1          |
| 20         | Label, emissions control 280NA MY10      | On tailgate     | USA/Canada          | A132U0500F         | 1          |
| 20a        | Label, emissions control 280NA MY11      | On tailgate     | USA/Canada          | B132U0500F         | 1          |
| 20b        | Label, emissions control 280NA MY12      | On tailgate     | USA/Canada          | C132U0500F         | 1          |
| 20c        | Label, emissions control 280NA MY13      | On tailgate     | USA/Canada          | D132U0500F         | 1          |
| 20d        | Label, emissions control, s/charged MY11 | On tailgate     | Evora S, USA/Canada | A132U0636F         | 1          |
| 20e        | Label, emissions control, s/charged MY12 | On tailgate     | Evora S, USA/Canada | B132U0636F         | 1          |
| 20f        | Label, emissions control, s/charged MY13 | On tailgate     | Evora S, USA/Canada | C132U0636F         | 1          |
| 21         | Label, part content 280NA                | On windscreen   | USA/Canada          | A132U0297F         | 1          |
| 22         | Label,enf perf 2GR-FE 280 sports gearbox | On windscreen   | USA                 | A132U0502F         | 1          |
| 23         | Label, smart airbag warning, federal     | On dash         | USA                 | A132U0550F         | 1          |
| 23a        | Label, smart airbag warning, Canada      | On dash         | Canada only         | A132U0573F         | 1          |
| 24         | Label, warning child seat*               | On sun visor    | Euro/ROW            | A132U0315F         | 1          |
| 24a        | Label, warning child seat*               | On sun visor    | Gulf States only    | A121U0131F         | 1          |
| 25         | Label, airbag warning, visor down*       | On sunvisor     | USA                 | A132U0548F         | 1          |
| 25a        | Label, airbag warning, visor stowed*     | On sunvisor     | USA                 | A132U0549F         | 1          |
| 26         | Label GCC compliance                     | On LH 'B' post  | Gulf States         | A132U1038F         | 1          |

\*Not available separately, part of sunvisor assembly, see 15.05





**EVORA**  
**19.03**

# Service Parts List



## Function Code 19.03 Owner's Handbooks & Service Notes Manuals

| <u>Dep</u> | <u>Part Description</u>                       | <u>Remarks</u>                               | <u>Option</u>   | <u>Part Number</u> | <u>Qty</u> |
|------------|---|--|-----------------|--------------------|------------|
| 01         | Owner's Handbook, Includes maintenance record | Non-supercharged to vin BH_11177             | UK / ROW/ Japan | A132T0324J         | 1          |
| 01a        | Owner's Handbook, Includes maintenance record | Non-supercharged to vin BH_11177             | USA             | B132T0324JA        |            |
| 01b        | Owner's Handbook, Includes maintenance record | Non-supercharged to vin BH_11177             | French          | A132T0324JF        |            |
| 01c        | Owner's Handbook, Includes maintenance record | Non-supercharged to vin BH_11177             | German          | A132T0324JD        |            |
| 01d        | Owner's Handbook, Includes maintenance record | Non-supercharged to vin BH_11177             | Italian         | A132T0324JI        |            |
| 01e        | Owner's Handbook, Includes maintenance record | Non-supercharged to vin BH_11177             | GCC             | A132T0324JAR       |            |
| 01f        | Owner's Handbook, Includes maintenance record | Evora S & non-supercharged from vin BH_11177 | UK / ROW/ Japan | B132T0324J         |            |
| 01g        | Owner's Handbook, Includes maintenance record | Evora S & non-supercharged from vin BH_11177 | USA             | C132T0324JA        |            |
| 01h        | Owner's Handbook, Includes maintenance record | Evora S & non-supercharged from vin BH_11177 | French          | B132T0324JF        |            |
| 01i        | Owner's Handbook, Includes maintenance record | Evora S & non-supercharged from vin BH_11177 | German          | B132T0324JD        |            |
| 01j        | Owner's Handbook, Includes maintenance record | Evora S & non-supercharged from vin BH_11177 | Italian         | B132T0324JI        |            |
| 01k        | Owner's Handbook, Includes maintenance record | Evora S & non-supercharged from vin BH_11177 | GCC             | B132T0324JAR       |            |

Function Code: 19.03, Page: 1

*Updated 1st December 2015*



**Function Code 19.03 Owner's Handbooks & Service Notes Manuals**

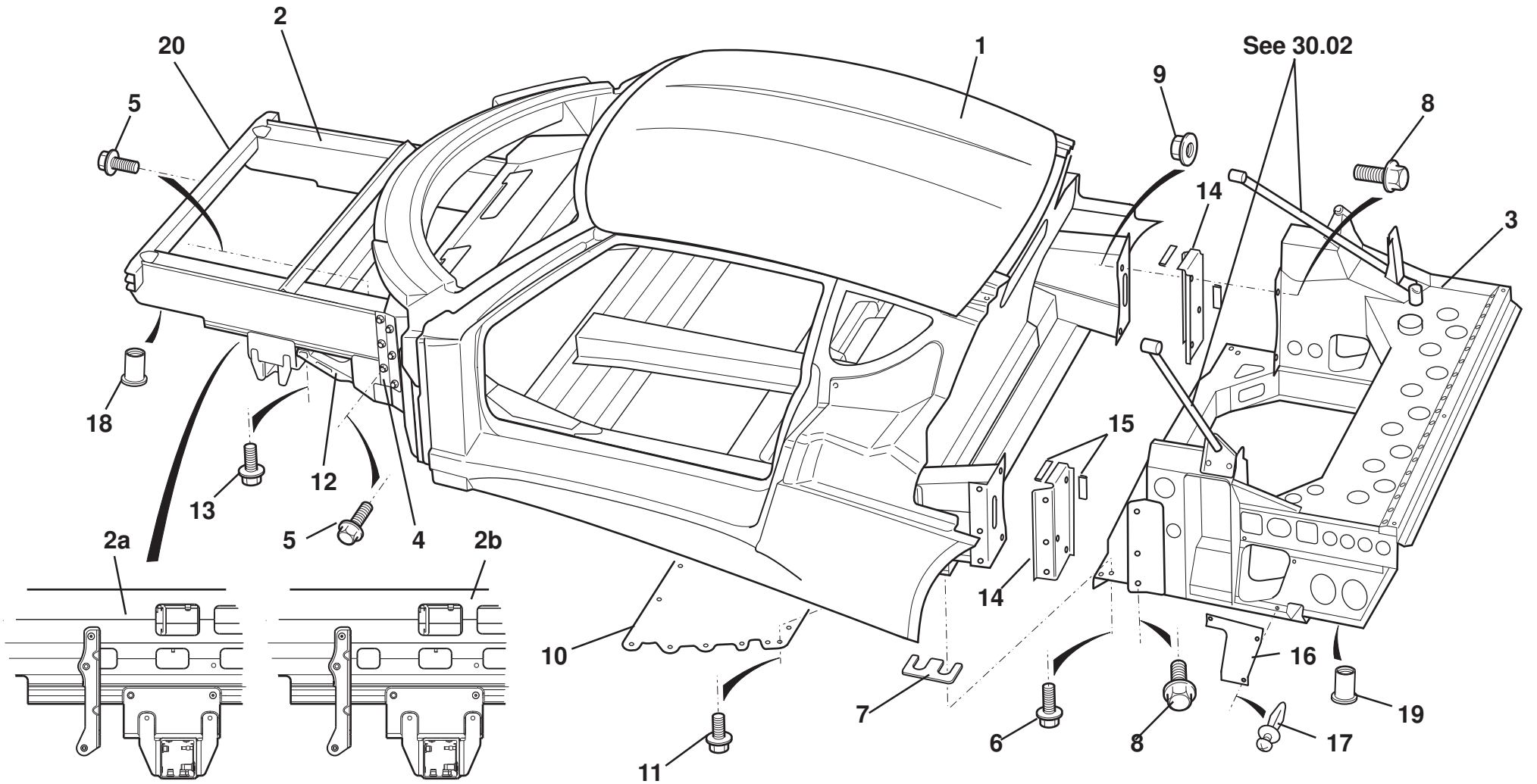
| <u>Dep</u> | <u>Part Description</u>                       | <u>Remarks</u>            | <u>Option</u>                 | <u>Part Number</u>   | <u>Qty</u> |
|------------|---|---------------------------|-------------------------------|----------------------|------------|
| 01l        | Owner's Handbook, Includes maintenance record | '12 MY up to Vin CH_10630 | English                       | <b>C132T0324J</b>    | 1          |
| 01m        | Owner's Handbook, Includes maintenance record | '12 MY up to Vin CH_10630 | French                        | <b>C132T0324JF</b>   | 1          |
| 01n        | Owner's Handbook, Includes maintenance record | '12 MY up to Vin CH_10630 | German                        | <b>C132T0324JD</b>   | 1          |
| 01o        | Owner's Handbook, Includes maintenance record | '12 MY up to Vin CH_10630 | Italian                       | <b>C132T0324JI</b>   | 1          |
| 01p        | Owner's Handbook, Includes maintenance record | '12 MY                    | Arabic                        | <b>C132T0324JAR</b>  | 1          |
| 01q        | Owner's Handbook, Includes maintenance record | '12 MY                    | USA                           | <b>D132T0324JA</b>   | 1          |
| 01r        | Owner's Handbook, Includes maintenance record | From Vin CH_10630         | English                       | <b>D132T0324J</b>    | 1          |
| 01s        | Owner's Handbook, Includes maintenance record | From Vin CH_10630         | French                        | <b>D132T0324JF</b>   | 1          |
| 01t        | Owner's Handbook, Includes maintenance record | From Vin CH_10630         | German                        | <b>D132T0324JD</b>   | 1          |
| 01u        | Owner's Handbook, Includes maintenance record | From Vin CH_10630         | Italian                       | <b>D132T0324JI</b>   | 1          |
| 01v        | Maintenance Record                            | P/O Item 1                | USA/Canada only               | <b>B132T0324MA</b>   | 1          |
| 01w        | Maintenance Record                            | P/O Item 1                | English (Excludes USA/Canada) | <b>D132T0324M</b>    | 1          |
| 02         | Service Notes, Dealer Portal Only             |                           | A132T0327D R/B                | <b>Dealer Portal</b> | 1          |
| 03a        | Service Parts List, Dealer Portal Only        |                           | A132T0325D R/B                | <b>Dealer Portal</b> | 1          |
| 04         | Workshop Manual, engine                       | CD                        |                               | <b>T000T1516F</b>    | 1          |
| 05         | Workshop Manual, manual transmission          | CD                        |                               | <b>T000T1517F</b>    | 1          |
| 05a        | Workshop Manual, automatic transmission (IPS) | CD                        |                               | <b>T000T1526F</b>    | 1          |
| 06         | Labour Time Schedule, Dealer Portal Only      |                           | A132T0328D R/B                | <b>Dealer Portal</b> | 1          |
| 07         | Maintenance Schedule Pack, Dealer Portal Only |                           | LSL537C R/B                   | <b>Dealer Portal</b> | 1          |
| 08         | PDI Form Pack, Dealer Portal Only             |                           | LSL345E R/B                   | <b>Dealer Portal</b> | 1          |

---

**Function Code 19.03 Owner's Handbooks & Service Notes Manuals**

| <u>Dep</u> | <u>Part Description</u>         | <u>Remarks</u>                         | <u>Option</u> | <u>Part Number</u> | <u>Qty</u> |
|------------|---------------------------------|--|---------------|--------------------|------------|
| 09         | Owner's Handbook Supplement IPS | Used in conjunction with<br>B132T0324J | 11MY          | LSL589             | 1          |

---

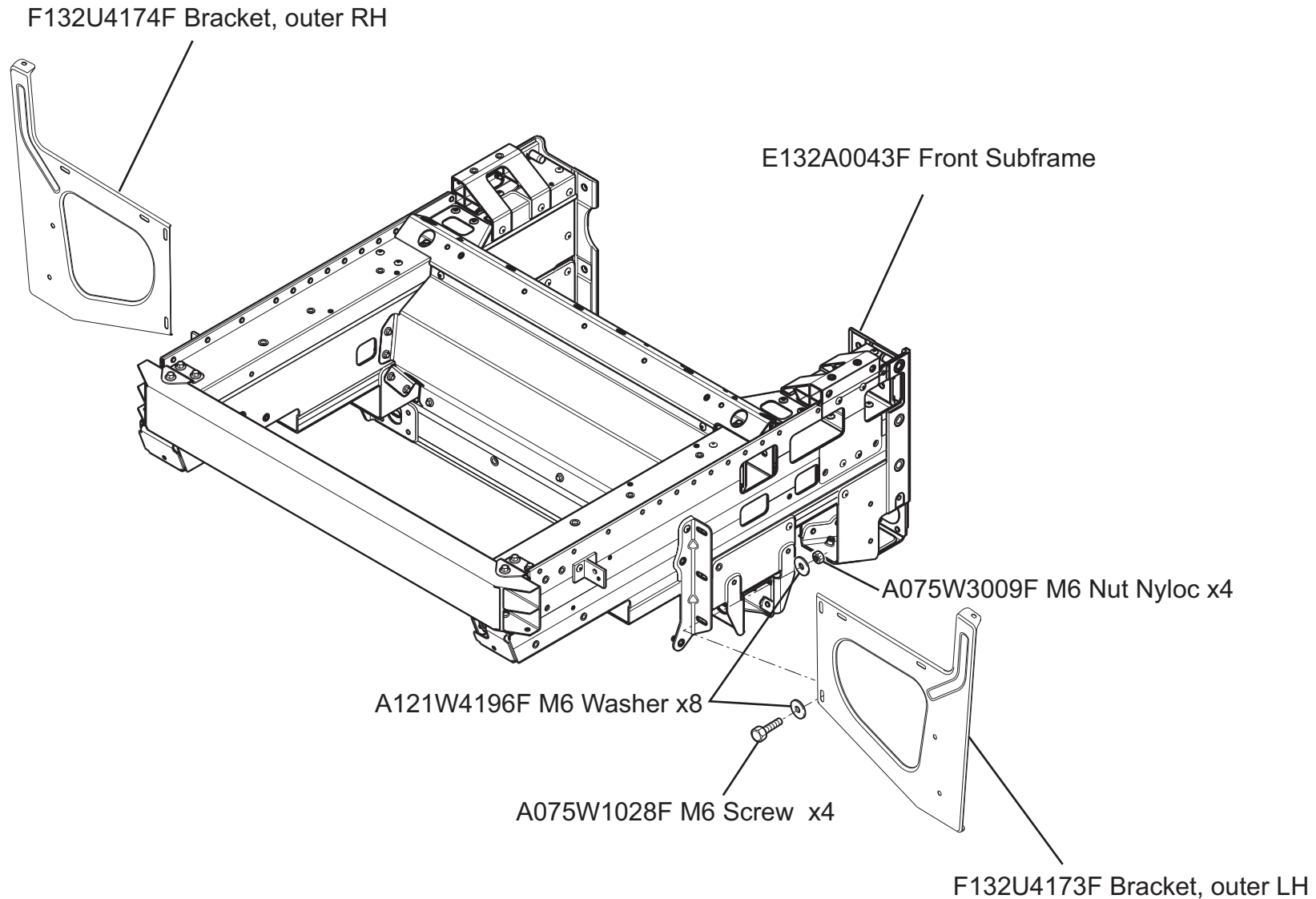


**EVORA**

**30.01**

*Updated 1st September 2014*

D level Front Subframe no longer available replaced by E level  
Parts required to fit replacement Subframe



*Updated 3rd March 2014*

# Service Parts List



## Function Code 30.01 Chassis, Subframes

| <u>Dep</u> | <u>Part Description</u>                        | <u>Remarks</u>   | <u>Option</u>  | <u>Part Number</u> | <u>Qty</u> |
|------------|--|--|----------------|--------------------|------------|
| 01         | Partial Body, LHD, NA man**                    | Incl. sill pipes/hoses, MY12 pedal box, vin number reqd. | A132A4155S R/B | <b>A132A4175S</b>  | 1          |
| 01a        | Partial Body, RHD, NA man**                    | Incl. sill pipes/hoses, MY12 pedal box, vin number reqd. | A132A4156S R/B | <b>A132A4176S</b>  | 1          |
| 01b        | Partial Body, LHD, S/Charged man prior MY12**  | Incl. sill pipes/hoses, MY12 pedal box, vin number reqd. |                | <b>A132A4177S</b>  | 1          |
| 01c        | Partial Body, RHD, S/Charged man prior MY12**, | Incl. sill pipes/hoses, MY12 pedal box, vin number reqd. |                | <b>A132A4178S</b>  | 1          |
| 01d        | Partial Body, LHD, S/Charged Auto MY12**       | Incl. sill pipes/hoses, pedal box, vin number reqd.      |                | <b>A132A4179S</b>  | 1          |
| 01e        | Partial Body, RHD, S/Charged Auto MY12**       | Incl. sill pipes/hoses, pedal box, vin number reqd.      |                | <b>A132A4180S</b>  | 1          |
| 01f        | Partial Body, LHD, NA Auto, prior MY12**       | Incl. sill pipes/hoses, MY12 pedal box, vin number reqd. |                | <b>A132A4181S</b>  | 1          |
| 01g        | Partial Body, RHD, NA Auto, prior MY12**       | Incl. sill pipes/hoses, MY12 pedal box, vin number reqd. |                | <b>A132A4182S</b>  | 1          |
| 01h        | Partial Body, LHD, NA Auto, MY12**             | Incl. sill pipes/hoses, pedal box, vin number reqd.      |                | <b>A132A4183S</b>  | 1          |
| 01i        | Partial Body, RHD, NA Auto, MY12**             | Incl. sill pipes/hoses, pedal box, vin number reqd.      |                | <b>A132A4184S</b>  | 1          |
| 01j        | Partial Body, LHD, S/Charged man, MY12**       | Incl. sill pipes/hoses, pedal box, vin number reqd.      |                | <b>A132A4185S</b>  | 1          |
| 01k        | Partial Body, RHD, S/Charged man, MY12**       | Incl. sill pipes/hoses, pedal box, vin number reqd.      |                | <b>A132A4186S</b>  | 1          |



**Function Code 30.01 Chassis, Subframes**

| <u>Dep</u> | <u>Part Description</u>                                 | <u>Remarks</u>   | <u>Option</u>                                | <u>Part Number</u> | <u>Qty</u> |
|------------|---|--|--|--------------------|------------|
| 02         | Front Subframe*   | Without front bumper bracket mounting bonded to subframe |  | D132A0043F         | 1          |
| 02a        | Front Subframe  | With bonded front bumper bracket mounting                |  | E132A0043F         | 1          |
| 02b        | Front Subframe  | Bonded front bumper bracket mounting relocated           | USA vin BH_11174 , all markets vin, BH_11178 | F132A0043F         | 1          |
| 03         | Rear Subframe   | Also order Kit A132A6063S Manual or A132A6062S Auto      |  | C132A0605J         | 1          |
| 04         | Cover Plate, subframe to chassis, LH                    |  |  | C132A4039F         | 1          |
| 04a        | Cover Plate, subframe to chassis, RH                    |  |  | C132A4040F         | 1          |
| 05         | Bolt, M10 x 30, hex. flg. hd., front subrame to chassis |  |  | A132W2004F         | 16         |
| 05a        | Bolt, M10 x 35, hex. flg. hd., front subrame to chassis | Upper fixing LH and RH                                   |  | A116W5247F         | 2          |
| 06         | Bolt, M10 x 30, hex. flg. hd., rear subrame to chassis  |  |  | A132W2004F         | 4          |
| 07         | Shim, 1mm, rear subframe to chassis                     |  |  | B132A0277F         | As req.    |
| 08         | Bolt, M10 x 30, rear subframe to chassis                |  |  | A132W2004F         | 10         |
| 09         | Nut, M10, flange, rear subframe to chassis              |  |  | A132W3005F         | 4          |
| 10         | Shear Panel   |  |  | C132A0176F         | 1          |
| 11         | Screw, M8 x 20, he. flg. fd., shear panel to chassis    |  |  | A132W5005F         | 26         |
| 12         | Support, front ARB mount, LH                            |  |  | A132A4133F         | 1          |
| 12a        | Support, front ARB mount, RH                            |  |  | A132A4134F         | 1          |
| 13         | Bolt, M8 x 25, hex. flg. hd., support to subframe       |  |  | A132W5006F         | 12         |
| 14         | Shim LH, rear subframe to chassis                       |  |  | A132A4145F         | 1          |

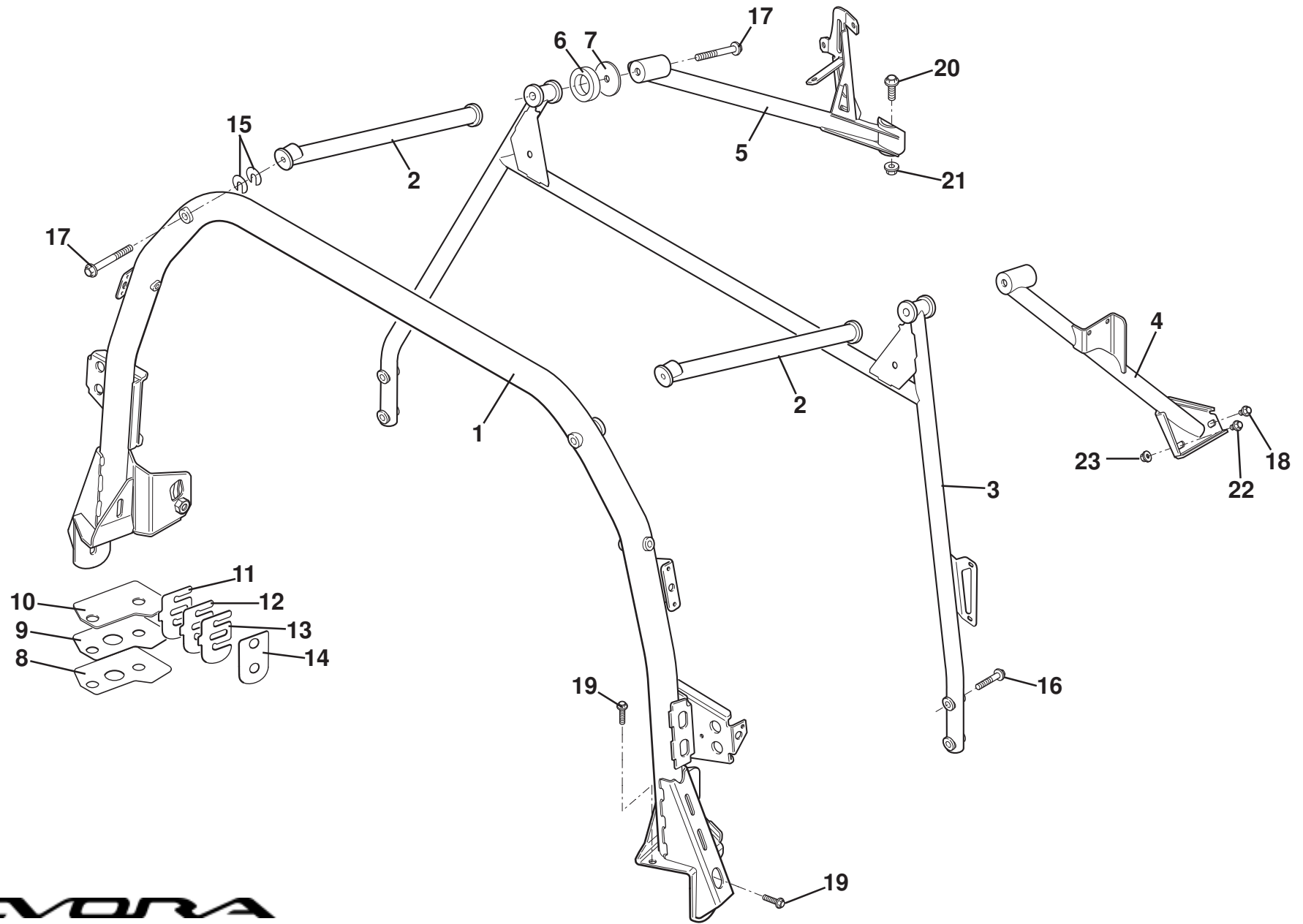


---

**Function Code 30.01 Chassis, Subframes**

| <u>Dep</u> | <u>Part Description</u>           | <u>Remarks</u>  | <u>Option</u> | <u>Part Number</u> | <u>Qty</u> |
|------------|-----------------------------------|---|---------------|--------------------|------------|
| 14a        | Shim RH, rear subframe to chassis |   |               | A132A4146F         | 1          |
| 15         | Rubber Edge Finisher              |   |               | A117B6010V         | As req.    |
| 16         | Flap NVH                          |   |               | A132U0411F         | 2          |
| 17         | Scrivet, flap, rear subframe      |   |               | A100W6391F         | 6          |
| 18         | Rivnut M8, front undertray fixing |   |               | A124A6002H         | 14         |
| 19         | Rivnut M8, rear undertray fixing  |   |               | A111W6605F         | 18         |
| 20         | Front Bumper Beam, frt subframe   |   |               | C132A0098H         | 1          |
| 20a        | Front Bumper Beam, frt subframe   | USA 400 spec. but can be retrofitted to any Evora                 |               | B132A072S          | 1          |
|            |                                   | *Not available see LSL606 for parts to retro fit E level subframe |               |                    |            |
|            |                                   | **Use order form LSL631   |               |                    |            |

---



**EVORA**  
**30.02**

*Updated 14th December 2011*



# Service Parts List

# EVORA



## Function Code 30.02 Seat Belt Mounting Frames, Stays

| <u>Dep</u> | <u>Part Description</u>                         | <u>Remarks</u> | <u>Option</u> | <u>Part Number</u> | <u>Qty</u> |
|------------|---|----------------|---------------|--------------------|------------|
| 01         | Seat Belt Mounting Frame, front                 |                |               | D132A0031F         | 1          |
| 02         | Stay, front to rear frames                      |                |               | B132A0112F         | 2          |
| 03         | Seat Belt Mounting Frame, rear, 2 seat          |                |               | E132A0039F         | 1          |
| 03a        | Seat Belt Mounting Frame, rear, 4 seat          |                |               | C132A0216F         | 1          |
| 04         | Backstay, LH                                    |                |               | D132A0032F         | 1          |
| 05         | Backstay, RH                                    |                |               | C132A0033F         | 1          |
| 06         | Sealing Ring, frame to bulkhead                 |                |               | A132A0114F         | 2          |
| 07         | Washer, sealing, frame to bulkhead              |                |               | B132A0115F         | 2          |
| 08         | Shim, vertical adjustment, 1mm                  |                |               | B132A0083F         | As req.    |
| 09         | Shim, vertical adjustment, 2mm                  |                |               | B132A0084F         | As req.    |
| 10         | Shim, vertical adjustment, 3mm                  |                |               | B32A0085F          | As req.    |
| 11         | Shim, lateral adjustment, 1mm                   |                |               | B132A0086F         | As req.    |
| 12         | Shim, lateral adjustment, 2mm                   |                |               | B132A0087F         | As req.    |
| 13         | Shim, lateral adjustment, 3mm                   |                |               | B132A0088F         | As req.    |
| 14         | Spacer, front, outer, lower, 2mm                |                |               | A132A0296F         | 2          |
| 15         | Shim, stay to front frame, 1mm                  |                |               | A132A0092F         | As req.    |
| 16         | Bolt, M8 x 50, hex. flg. hd., rear frame fixing |                |               | A132W2014F         | 4          |
| 17         | Bolt, M10 x 80, hex. flg. hd., frames to stays  |                |               | A132W2043F         | 4          |

EVORA

Function Code: 30.02, Page: 1

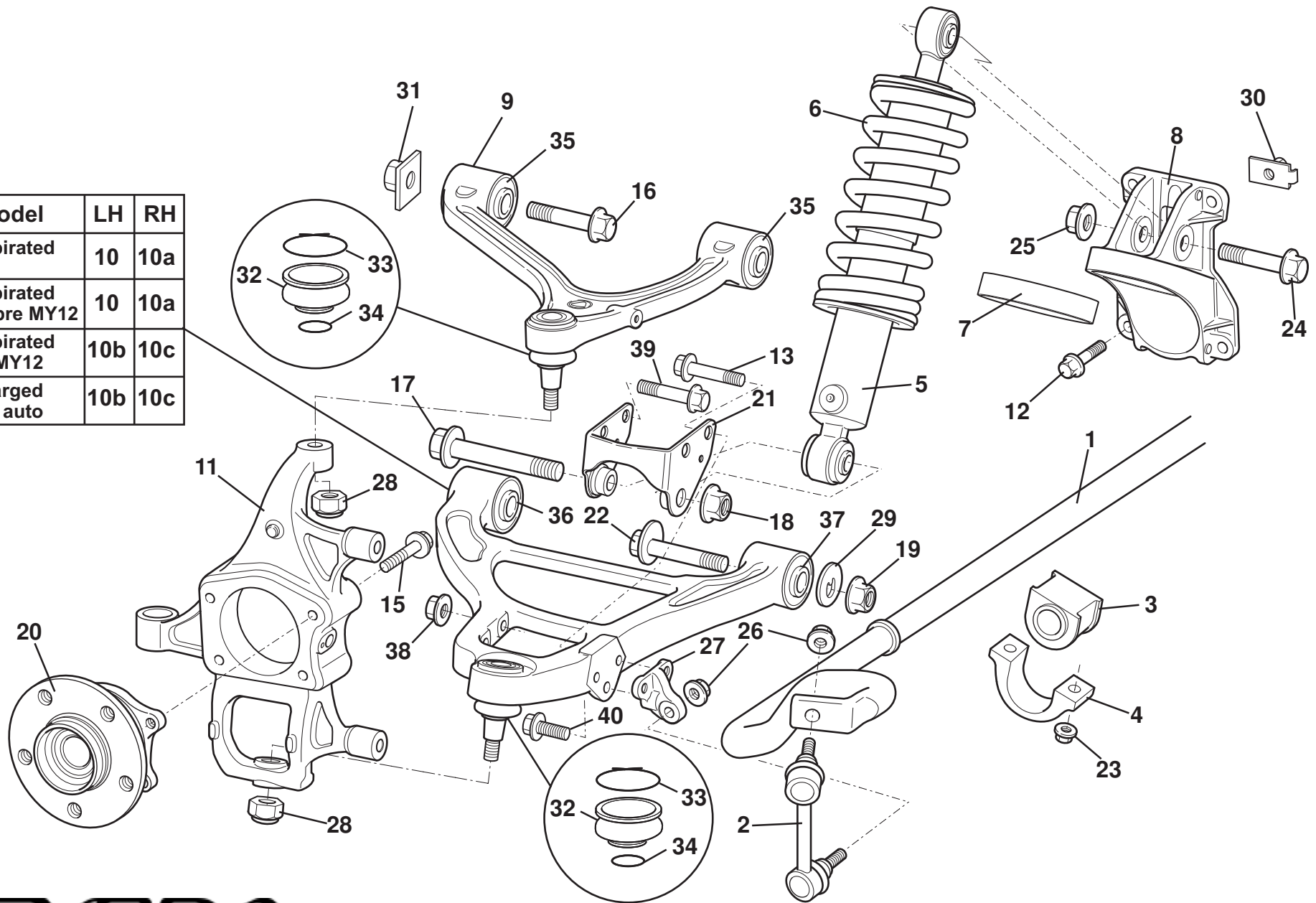
Updated 27th february 2013

---

**Function Code 30.02 Seat Belt Mounting Frames, Stays**

| <u>Dep</u> | <u>Part Description</u>                           | <u>Remarks</u> | <u>Option</u> | <u>Part Number</u> | <u>Qty</u> |
|------------|---|----------------|---------------|--------------------|------------|
| 18         | Screw, M8 x 14, hex. flg. hd., LH backstay fixing |                |               | A132W5012F         | 1          |
| 19         | Bolt, M10 x 35, hex. flg. hd., front frame fixing |                |               | A116W5247F         | 8          |
| 20         | Bolt, M10 x 30, hex. flg. hd., RH backstay fixing |                |               | A132W2004F         | 1          |
| 21         | Nut, M10, flg., RH backstay fixing                |                |               | A132W3005F         | 1          |
| 22         | Bolt, M8 x 20, hex. flg. hd. LH backstay fixing   |                |               | A132W5005F         | 1          |
| 23         | Nut M8, LH backstay fixing                        |                |               | A075W3021Z         | 1          |

| Model                     | LH  | RH  |
|---------------------------|-----|-----|
| N/Aspirated man           | 10  | 10a |
| N/Aspirated auto pre MY12 | 10  | 10a |
| N/Aspirated auto MY12     | 10b | 10c |
| S/Charged man / auto      | 10b | 10c |

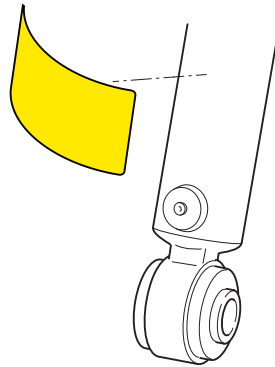


**EVORA**  
31.01

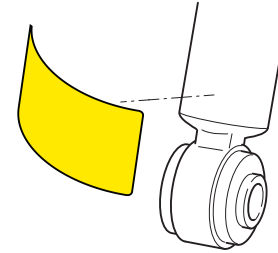
*Updated 1st May 2014*

# Production Suspension Identity Labels

Evora & Evora 400/410(not for Ohlins)



Production label  
on lower damper body  
Evora Front



Production label  
on damper body  
Evora Rear

| Evora          |                |                |
|----------------|----------------|----------------|
| Front          | Rear           | Rear           |
| <b>EFB</b>     | <b>ERBL</b>    | <b>ERBR</b>    |
| F4-8E5-F307-T1 | F4-8E5-F308-T1 | F4-8E5-F308-T1 |

| Evora 400, GT410(Tour Pack) |             |             |
|-----------------------------|-------------|-------------|
| Front                       | Rear        | Rear        |
| <b>VFB</b>                  | <b>VRBL</b> | <b>VRBR</b> |
| 24-060707                   | 24-060806   | 24-060806   |

| Evora S        |                |                |
|----------------|----------------|----------------|
| Front          | Rear           | Rear           |
| <b>EFS</b>     | <b>ERSL</b>    | <b>ELSR</b>    |
| F4-8E5-F822-T2 | F4-8E5-F823-T2 | F4-8E5-F823-T2 |

| Evora 410, GT410 |             |             |
|------------------|-------------|-------------|
| Front            | Rear        | Rear        |
| <b>VFS</b>       | <b>VRSL</b> | <b>VRSR</b> |
| 24-259446        | 24-259439   | 24-259439   |

**Note:** if the production label is missing the ref number on the manufactures label located on the damper body has been shown to assist identification  
If in doubt contact Lotus Atersales to get confirmation

# Service Parts List

# EVORA



## Function Code 31.01 Front Suspension, Incl. Hubs

| <u>Dep</u> | <u>Part Description</u>                                    | <u>Remarks</u>                                  | <u>Option</u>          | <u>Part Number</u> | <u>Qty</u> |
|------------|--|---|------------------------|--------------------|------------|
| 01         | Anti Roll Bar, front                                       | diameter 23mm                                   |                        | A132C0067F         | 1          |
| 02         | Drop Link, anti roll bar front, LH                         |   |                        | A132C4023F         | 1          |
| 02a        | Drop Link, anti roll bar front, RH                         |   |                        | A132C4024F         | 1          |
| 03         | Rubber Mount, anti roll bar                                | diameter 23mm                                   |                        | A132C6012F         | 2          |
| 04         | Bracket, anti roll bar mount                               |   |                        | A132C0046F         | 2          |
| 05         | Damper   | See LSL656-3                                    |                        | A132C0059F         | 2          |
| 05a        | Damper   | See LSL656-3                                    | S/Charged (man & auto) | A132C0079F         | 2          |
| 06         | Road Spring  | See LSL656-3                                    |                        | A132C0055F         | 2          |
| 07         | Spring Seat, rubber  |   |                        | B132C0007F         | 2          |
| 08         | Mounting, spring/damper, upper                             |   |                        | A132C0011F         | 2          |
| 09         | Wishbone Assy, front upper LH, includes balljoint & bushes | S.O.P to Sept 2010, see TSB 2011/19             | NA                     | B132C4001F         | 1          |
| 09a        | Wishbone Assy, front upper RH, includes balljoint & bushes | S.O.P to Sept 2010, see TSB 2011/19             | NA                     | B132C4002F         | 1          |
| 09b        | Wishbone Assy, front upper LH, includes balljoint & bushes | All Cars from Sept 2010 approx, see TSB 2011/19 |                        | C132C4001F         | 1          |
| 09c        | Wishbone Assy, front upper RH, includes balljoint & bushes | All Cars from Sept 2010 approx, see TSB 2011/19 |                        | C132C4002F         | 1          |
| 10         | Wishbone Assy, front lower LH, includes balljoint & bushes | See TSB 2011/19                                 | NA (man & auto)        | B132C4003F         | 1          |
| 10a        | Wishbone Assy, front lower RH, includes balljoint & bushes | See TSB 2011/19                                 | NA (man & auto)        | B132C4004F         | 1          |

EVORA

**Function Code 31.01 Front Suspension, Incl. Hubs**

| <u>Dep</u> | <u>Part Description</u>                                      | <u>Remarks</u>                                 | <u>Option</u>          | <u>Part Number</u> | <u>Qty</u> |
|------------|--|--|------------------------|--------------------|------------|
| 10b        | Wishbone Assy, front lower LH, includes balljoint & bushes   | From S.O.P, NA auto from MY12, see TSB 2011/19 | S/Charged (man & auto) | A132C4035F         | 1          |
| 10c        | Wishbone Assy, front lower RH, includes balljoint & bushes   | From S.O.P, NA auto from MY12, see TSB 2011/19 | S/Charged (man & auto) | A132C4036F         | 1          |
| 11         | Hub Carrier, LH  |  |                        | C132C4005F         | 1          |
| 11a        | Hub Carrier, RH  |  |                        | C132C4006F         | 1          |
| 12         | Bolt, M10 x 30, hex. flg. hd., mounting to subframe          |  |                        | A132W2004F         | 8          |
| 13         | Bolt, M10 x 40, hex. flg. hd., drop link bracket to wishbone |  |                        | A132W2044F         | 4          |
| 14         | Nut, M10, flg., damper clevis to wishbone                    |  |                        | A132W3005F         | 4          |
| 15         | Bolt, M10 x 30, hex. flg. hd., hub to carrier                |  |                        | A132W2000F         | 8          |
| 16         | Bolt, M12 x 85, hex. flg. hd., wishbone upper to subframe    |  |                        | A132W2040F         | 4          |
| 17         | Bolt, M14 x 105, hex. flg. hd., damper lower fixing          |  |                        | A132W2029F         | 2          |
| 18         | Nut, M14, flg., damper lower fixing                          |  |                        | A132W3023F         | 2          |
| 19         | Nut, M12, flg, lower wishbone to subframe                    |  |                        | A132W3010F         | 2          |
| 20         | Hub Assembly   |  |                        | A132D0021F         | 2          |
| 21         | Bracket, wishbone clevis                                     |  |                        | A132C0023F         | 2          |
| 22         | Cambolt, M12 x 95, wishbone lower                            |  |                        | A132W2021F         | 4          |
| 23         | Nut, M8 flg., A/R bar bracket to subframe                    |  |                        | A132W3006F         | 4          |
| 24         | Bolt, M12 x 85, hex. flg. hd., damper top mount              |  |                        | A132W2040F         | 2          |
| 25         | Nut, M12, flg, damper top mount                              |  |                        | A132W3022F         | 2          |
| 26         | Nut, M12, flg. drop link fixing                              |  |                        | A132W3022F         | 4          |

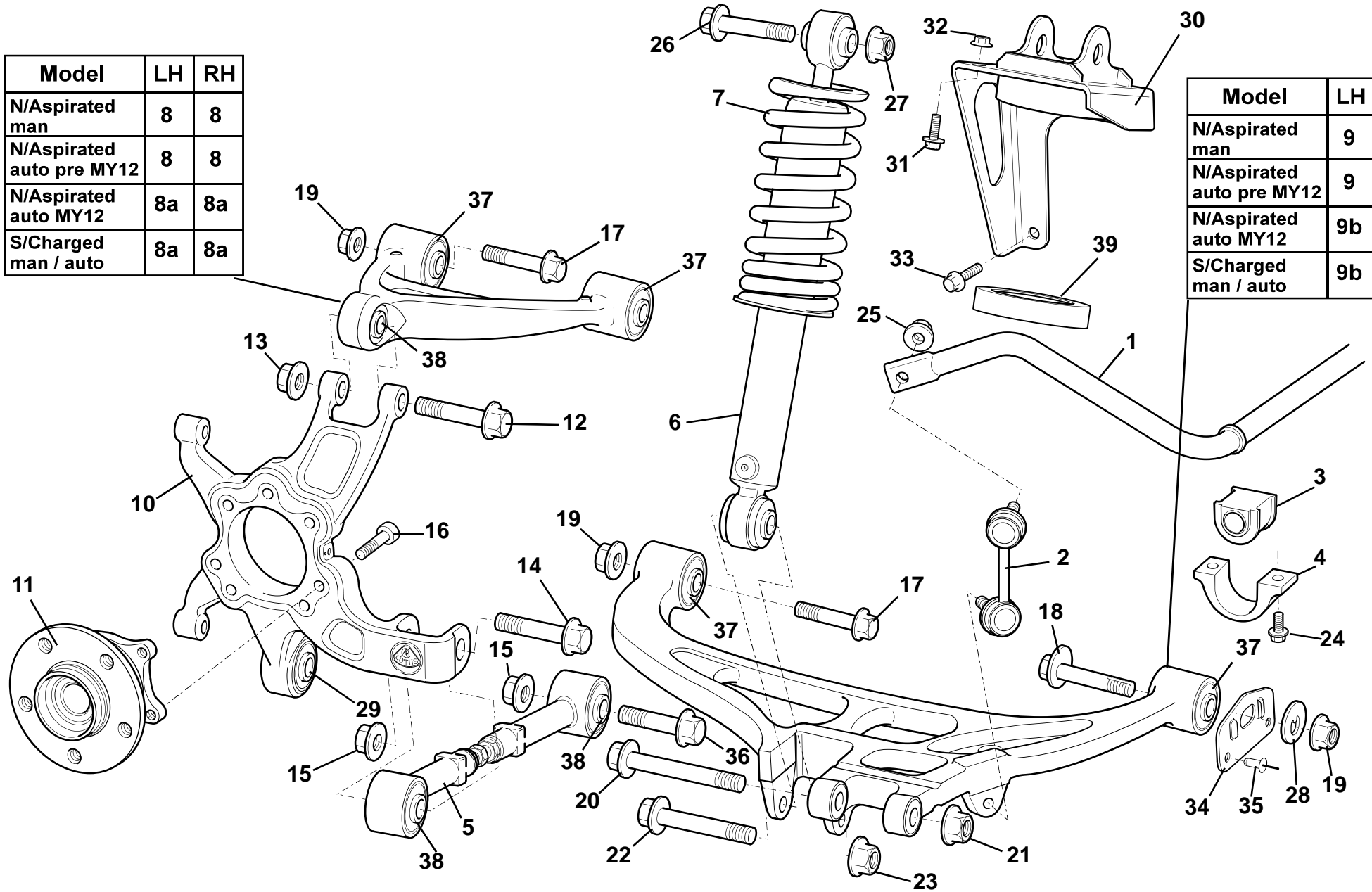


**Function Code 31.01 Front Suspension, Incl. Hubs**

| <u>Dep</u> | <u>Part Description</u>                                      | <u>Remarks</u>                                   | <u>Option</u> | <u>Part Number</u> | <u>Qty</u> |
|------------|--|--|---------------|--------------------|------------|
| 27         | Bracket, ARB drop link                                       |  |               | A132C0040F         | 2          |
| 28         | Nyloc Nut, M12, ball joint                                   |  |               | A132C6015S         | 4          |
| 29         | Cam Washer, wishbone lower                                   |  |               | A132W4000F         | 4          |
| 30         | Nut Plate, damper mounting                                   |  |               | A132A0292F         | 4          |
| 31         | Nut Plate, upper wishbone mounting                           |  |               | A132A0130F         | 4          |
| 32         | Rubber Boot, front wishbones upper & lower                   |  |               | A132C6019S         | 4          |
| 33         | Retaining Ring, small  |  |               | A132C6020S         | 4          |
| 34         | Retaining Ring, large  |  |               | A132C6021S         | 4          |
| 35         | Bush, beige, upper wishbone                                  | For use with items 9 to 9c, see<br>TSB 2011/19   |               | B132C0020F         | 4          |
| 36         | Bush, beige, lower wishbone frt                              | For use with items 10 to 10c, see<br>TSB 2011/19 |               | B132C0020F         | 2          |
| 37         | Bush, beige, lower wishbone rr                               | For use with items 10 & 10a, see<br>TSB 2011/19  |               | B132C0020F         | 2          |
| 37a        | Bush, green, lower wishbone rr                               | For use with items 10b & 10c,<br>see TSB 2011/19 |               | B132C0019F         | 2          |
| 38         | Nut M10 hex flg, drop link bracket to wishbone               |  |               | A132W3005F         | 4          |
| 39         | Bolt, M10 x 45, hex. flg. hd., drop link bracket to wishbone |  |               | A132W2005F         | 4          |
| 40         | Screw M10 x 20 hex flg, Bracket, ARB drop link to wishbone   |  |               | A132W5007F         | 2          |

| Model                     | LH | RH |
|---------------------------|----|----|
| N/Aspirated man           | 8  | 8  |
| N/Aspirated auto pre MY12 | 8  | 8  |
| N/Aspirated auto MY12     | 8a | 8a |
| S/Charged man / auto      | 8a | 8a |

| Model                     | LH | RH |
|---------------------------|----|----|
| N/Aspirated man           | 9  | 9a |
| N/Aspirated auto pre MY12 | 9  | 9a |
| N/Aspirated auto MY12     | 9b | 9c |
| S/Charged man / auto      | 9b | 9c |



**EVORA**

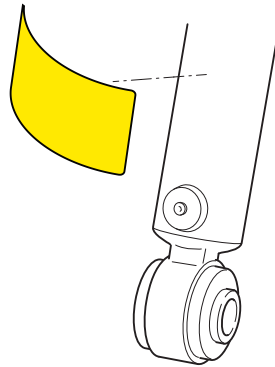
**31.03**

*Updated 3rd February 2020*

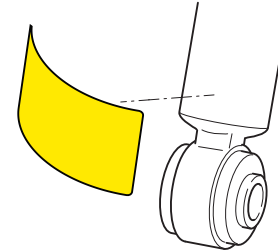


# Production Suspension Identity Labels

Evora & Evora 400/410(not for Ohlins)



Production label  
on lower damper body  
Evora Front



Production label  
on damper body  
Evora Rear

| Evora          |                |                |
|----------------|----------------|----------------|
| Front          | Rear           | Rear           |
| <b>EFB</b>     | <b>ERBL</b>    | <b>ERBR</b>    |
| F4-8E5-F307-T1 | F4-8E5-F308-T1 | F4-8E5-F308-T1 |

| Evora 400, GT410(Tour Pack) |             |             |
|-----------------------------|-------------|-------------|
| Front                       | Rear        | Rear        |
| <b>VFB</b>                  | <b>VRBL</b> | <b>VRBR</b> |
| 24-060707                   | 24-060806   | 24-060806   |

| Evora S        |                |                |
|----------------|----------------|----------------|
| Front          | Rear           | Rear           |
| <b>EFS</b>     | <b>ERSL</b>    | <b>ELSR</b>    |
| F4-8E5-F822-T2 | F4-8E5-F823-T2 | F4-8E5-F823-T2 |

| Evora 410, GT410 |             |             |
|------------------|-------------|-------------|
| Front            | Rear        | Rear        |
| <b>VFS</b>       | <b>VRSL</b> | <b>VRSR</b> |
| 24-259446        | 24-259439   | 24-259439   |

**Note: if the production label is missing the ref number on the manufactures label located on the damper body has been shown to assist identification  
If in doubt contact Lotus Atersales to get confirmation**

# Service Parts List



## Function Code 31.03 Rear Suspension, Incl. Hubs

| <u>Dep</u> | <u>Part Description</u>                            | <u>Remarks</u>                                 | <u>Option</u>          | <u>Part Number</u> | <u>Qty</u> |
|------------|--|--|------------------------|--------------------|------------|
| 01         | Anti Roll Bar, rear                                | Black diameter 21mm                            | NA (man & auto)        | A132D0039F         | 1          |
| 01a        | Anti Roll Bar, rear                                | Grey diameter 21.5mm                           | S/Charged (man & auto) | A132D0061F         | 1          |
| 02         | Drop Link, anti roll bar, LH, rear                 |  |                        | A132D4009F         | 1          |
| 02a        | Drop Link, anti roll bar, RH, rear                 |  |                        | A132D4010F         | 1          |
| 03         | Rubber Mount, anti roll bar                        | diameter 21mm                                  | NA (man & auto)        | A132C6013F         | 2          |
| 03a        | Rubber Mount, anti roll bar                        | diameter 21.5mm                                | S/Charged (man & auto) | A132C6016F         | 2          |
| 04         | Bracket, anti roll bar mount                       |  |                        | A132C0046F         | 2          |
| 05         | Toe Link Assembly, forged, rear                    |  |                        | A132D0045F         | 2          |
| 06         | Damper   | See LSL656-3                                   |                        | A132D0052F         | 2          |
| 06a        | Damper   | See LSL656-3                                   | S/Charged (man & auto) | A132D0065F         | 2          |
| 07         | Road Spring  | See LSL656-3                                   |                        | A132D0050F         | 2          |
| 08         | Wishbone Assembly, rear upper, includes bushes     | See TSB 2011/19                                | NA (man & auto)        | B132D0011F         | 2          |
| 08a        | Wishbone Assembly, rear upper, includes bushes     | From S.O.P, NA auto from MY12, see TSB 2011/19 | S/Charged (man & auto) | A132D0059F         | 2          |
| 09         | Wishbone Assembly, rear, lower LH, includes bushes | From S.O.P, see TSB 2011/19                    | NA (man & auto)        | B132D4001F         | 1          |
| 09a        | Wishbone Assembly, rear lower RH, includes bushes  | From S.O.P, see TSB 2011/19                    | NA (man & auto)        | B132D4002F         | 1          |
| 09b        | Wishbone Assembly, rear lower LH, includes bushes  | From S.O.P, NA auto from MY12, see TSB 2011/19 | S/Charged (man & auto) | A132D4037F         | 1          |
| 09c        | Wishbone Assembly, rear lower RH, includes bushes  | From S.O.P, NA auto from MY12, see TSB 2011/19 | S/Charged (man & auto) | A132D4038F         | 1          |



**Function Code 31.03 Rear Suspension, Incl. Hubs**

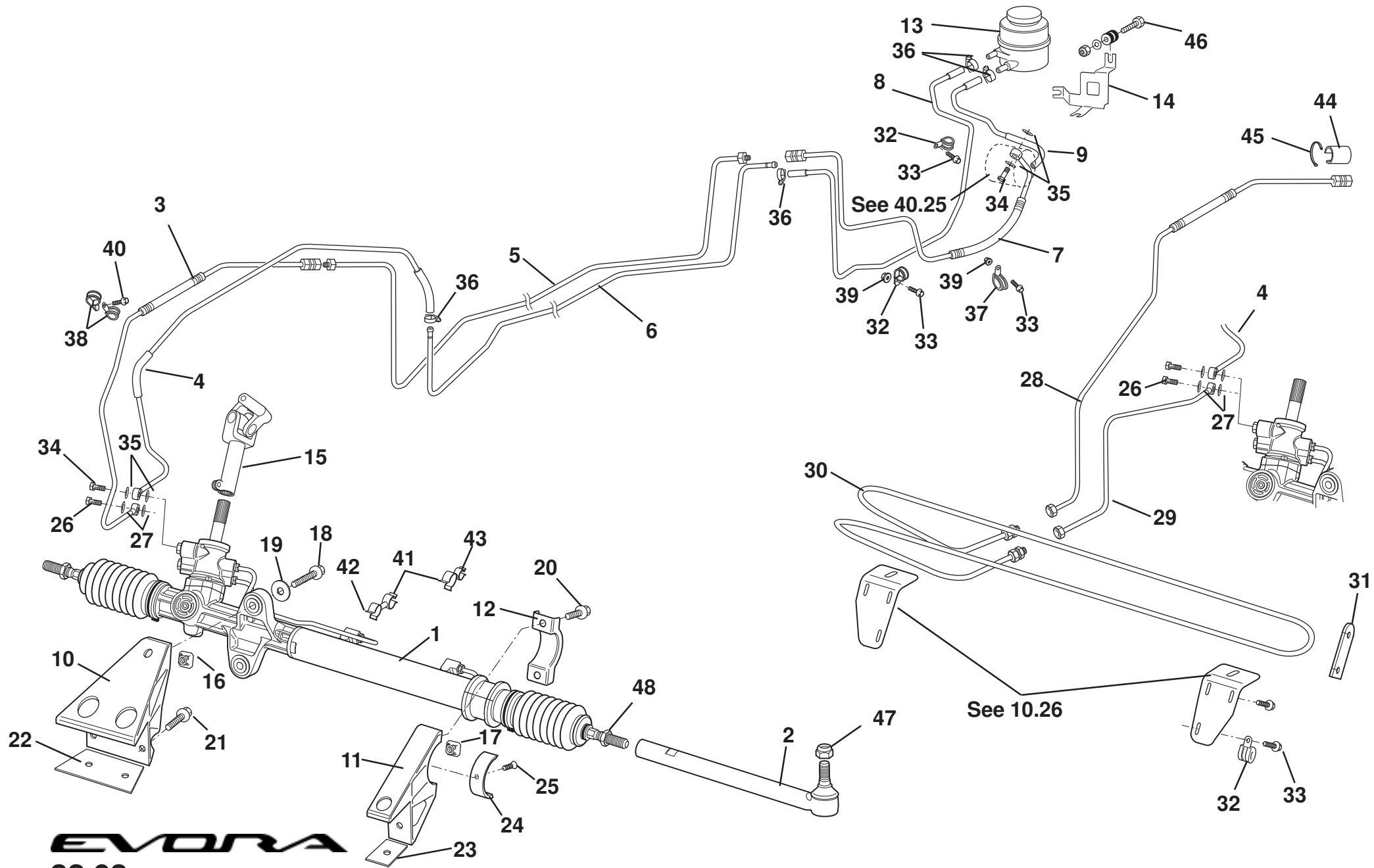
| <u>Dep</u> | <u>Part Description</u>                                     | <u>Remarks</u>   | <u>Option</u> | <u>Part Number</u> | <u>Qty</u> |
|------------|---|------------------|---------------|--------------------|------------|
| 10         | Hub Carrier Assembly, LH, includes bushes                   | Includes item 29 |               | C132D4023J         | 1          |
| 10a        | Hub Carrier Assembly, RH, includes bushes                   | Includes item 29 |               | C132D4024J         | 1          |
| 11         | Hub Assembly  |                  |               | A132D0021F         | 2          |
| 12         | Bolt, upper wishbone to hub carrier                         |                  |               | A132W2022F         | 2          |
| 13         | Nut, M14, flg., upper wishbone to hub carrier               |                  |               | A132W3023F         | 2          |
| 14         | Bolt, M14 x 85, hex. flg. hd., toe link to hub carrier      |                  |               | A132W2035F         | 2          |
| 15         | Nut, M14, flg., toe link                                    |                  |               | A132W3023F         | 2          |
| 16         | Bolt M10 x 35, skt cap hd, hub to hub carrier               |                  |               | A132W2041F         | 8          |
| 17         | Bolt, M12 x 85, hex. flg. hd., upper wishbone + lower front |                  |               | A132W2040F         | 6          |
| 18         | Cambolt, M12 x 95, lower wishbone rear                      |                  |               | A132W2021F         | 2          |
| 19         | Nut, M12, flg., wishbone fixing                             |                  |               | A132W3010F         | 6          |
| 20         | Bolt, M14 x 125, hex. flg. hd. lower wishbone outer fixing  |                  |               | A132W2010F         | 2          |
| 21         | Nut, M14, flg., lower wishbone outer fixing                 |                  |               | A132W3023F         | 2          |
| 22         | Bolt, M14 x 105, hex. flg. hd., lower damper fixing         |                  |               | A132W2029F         | 2          |
| 23         | Nut, M14, flg., lower damper fixing                         |                  |               | A132W3023F         | 2          |
| 24         | Screw, M10 x 20, hex. flg. hd. ARB bracket to subframe      |                  |               | A132W5007F         | 4          |
| 25         | Nut, M12, flg., drop link fixing                            |                  |               | A132W3022F         | 4          |
| 26         | Bolt, M12 x 70, hex. flg. hd., upper damper fixing          |                  |               | A132C0048F         | 2          |
| 27         | Nut, M12, flg., upper damper fixing                         |                  |               | A132W3010F         | 2          |
| 28         | Cam Washer, lower wishbone rear                             |                  |               | A132W4000F         | 2          |
| 29         | Spherical Joint, hub carrier lower                          |                  |               | A132D6005F         | 2          |



---

**Function Code 31.03 Rear Suspension, Incl. Hubs**

| <u>Dep</u> | <u>Part Description</u>                             | <u>Remarks</u>                                     | <u>Option</u> | <u>Part Number</u> | <u>Qty</u> |
|------------|---|--|---------------|--------------------|------------|
| 30         | Bracket, upper spring mounting, LH                  |  |               | C132D4015F         | 1          |
| 30a        | Bracket, upper spring mounting, RH                  |  |               | C132D4016F         | 1          |
| 31         | Screw, M8 x 20, hex. flg. hd., bracket to subframe  |  |               | A132W5005F         | 4          |
| 32         | Nut, flange, M8, bracket to subframe                |  |               | A132W3006F         | 4          |
| 33         | Screw, M10 x 20, hex. flg. hd., bracket to subframe |  |               | A132W5007F         | 2          |
| 34         | Plate, cambolt                                      |  |               | B132A0274F         | 2          |
| 35         | Pop Rivet, plate to subframe                        |  |               | A132W6024F         | 4          |
| 36         | Bolt, M14 x 75, hex. flg. hd., toe link to subframe |  |               | A132W2012F         | 2          |
| 37         | Bush, beige   | For use with items 8, 9 & 9a, see<br>TSB 2011/19   |               | B132C0020F         | 4          |
| 37a        | Bush, green   | For use with items 8a, 9b & 9c,<br>see TSB 2011/19 |               | B132C0019F         | 4          |
| 38         | Spherical Joint                                     |  |               | B132D6006H         | 6          |
| 39         | Spring Seat, rubber                                 |  |               | B132C0007F         | 2          |



**EVORA**

**32.03**

*Updated 1st May 2015*

# Service Parts List



## Function Code 32.03 Power Steering unit, Reservoir, Plumbing

| <u>Dep</u> | <u>Part Description</u>                      | <u>Remarks</u>            | <u>Option</u> | <u>Part Number</u> | <u>Qty</u> |
|------------|--|---------------------------|---------------|--------------------|------------|
| 01         | Steering Rack Assembly, RHD                  | Includes Lock nut item 48 |               | C132H0004F         | 1          |
| 01a        | Steering Rack Assembly, LHD                  | Includes Lock nut item 48 |               | C132H0003F         | 1          |
| 02         | Track Rod End/Ball Joint                     | Includes nut item 47      |               | B132H0023F         | 2          |
| 03         | Hose Assembly, rack, pressure, RHD           | Includes bolt and seals   |               | B132H0006F         | 1          |
| 03a        | Hose Assembly, rack, pressure, LHD           | Includes bolt and seals   |               | B132H0005F         | 1          |
| 04         | Hose Assembly, rack, return, RHD             | Includes bolt and seals   |               | C132H0008F         | 1          |
| 04a        | Hose Assembly, rack, return, LHD             | Includes bolt and seals   |               | C132H0007F         | 1          |
| 05         | Pipe, pressure, side                         |                           |               | B132H0009F         | 1          |
| 05a        | Pipe, pressure, side                         |                           | MY 12         | A132H0089F         | 1          |
| 06         | Pipe, return, side                           |                           |               | B132H0010F         | 1          |
| 06a        | Pipe, return, side                           |                           | MY 12         | A132H0088F         | 1          |
| 07         | Hose Assembly, pressure pump to side pipe    | Includes bolt and seals   |               | C132H0011F         | 1          |
| 08         | Hose Assembly, side pipe return to reservoir |                           |               | C132H0012F         | 1          |
| 09         | Hose Assembly, reservoir to pump             |                           |               | B132H0024F         | 1          |
| 10         | Bracket, rack mounting                       | Also see remarks in 18.01 |               | D132A0232F         | 1          |
| 11         | Bracket, rack support                        |                           |               | B132A0236F         | 1          |
| 12         | Clamp, rack support                          |                           |               | B132A0239F         | 1          |
| 13         | Reservoir, power steering fluid              |                           |               | A132E6336S         | 1          |



**Function Code 32.03 Power Steering unit, Reservoir, Plumbing**

| <u>Dep</u> | <u>Part Description</u>                                 | <u>Remarks</u>  | <u>Option</u> | <u>Part Number</u> | <u>Qty</u> |
|------------|---|---|---------------|--------------------|------------|
| 14         | Bracket Assembly, reservoir mounting                    |   |               | A132E6337S         | 1          |
| 15         | Universal Joint, steering column to rack                |   |               | B132H0044F         | 1          |
| 16         | Nutplate, M10, rack to mounting bracket                 |   |               | A132H0054F         | 2          |
| 17         | Nutplate, M10, clamp to bracket                         |   |               | A132W3008F         | 2          |
| 18         | Bolt, M10 x 50, hex. flg. fd., rack to mounting bracket |   |               | A132W2002F         | 2          |
| 19         | Washer, flat, M10 x 32, rack to mounting bracket        |   |               | A132H0063F         | 2          |
| 20         | Screw, M10 x 20, hex. flg. fd., rack to bracket         |   |               | A132W5007F         | 2          |
| 21         | Screw, M10 x 30, hex. flg. fd., brackets to subframe    |   |               | A132W2004F         | 6          |
| 22         | Shim, 2mm, mounting bracket to subframe                 |   |               | A132H0046F         | 2          |
| 23         | Shim, 2mm, bracket to subframe                          |   |               | A132H0049F         | 2          |
| 24         | Insert, rack support                                    |   |               | B132A0238F         | 1          |
| 25         | Screw, M5 x 12, csk. skt. black, insert to bracket      |   |               | A117W7207F         | 1          |
| 26         | Banjo Bolt, M14   | Supplied with hose assembly                           |               | A132H0095S         | 1          |
| 27         | Sealing Washer, banjo connection                        | Supplied with hose assembly                           |               | A132H0097S         | 2          |
| 28         | Hose Assembly, pressure, rack, cooler                   | Air cooled power steering                             |               | A132H0078F         | 1          |
| 28a        | Hose Assembly, pressure, rack, cooler                   | Air cooled power steering                             | MY 12         | A132H0106F         | 1          |
| 29         | Hose Assembly, pressure, rack, cooler RHD               | Air cooled power steering,<br>Includes bolt and seals |               | A132H0079F         | 1          |
| 29a        | Hose Assembly, pressure, rack, cooler LHD               | Air cooled power steering,<br>Includes bolt and seals |               | A132H0080F         | 1          |
| 30         | Cooler Assembly, rack, pressure                         | Air cooled power steering                             |               | A132H0081F         | 1          |
| 31         | Seal, cooler assembly                                   | Air cooled power steering                             |               | A132U0476F         | 4          |

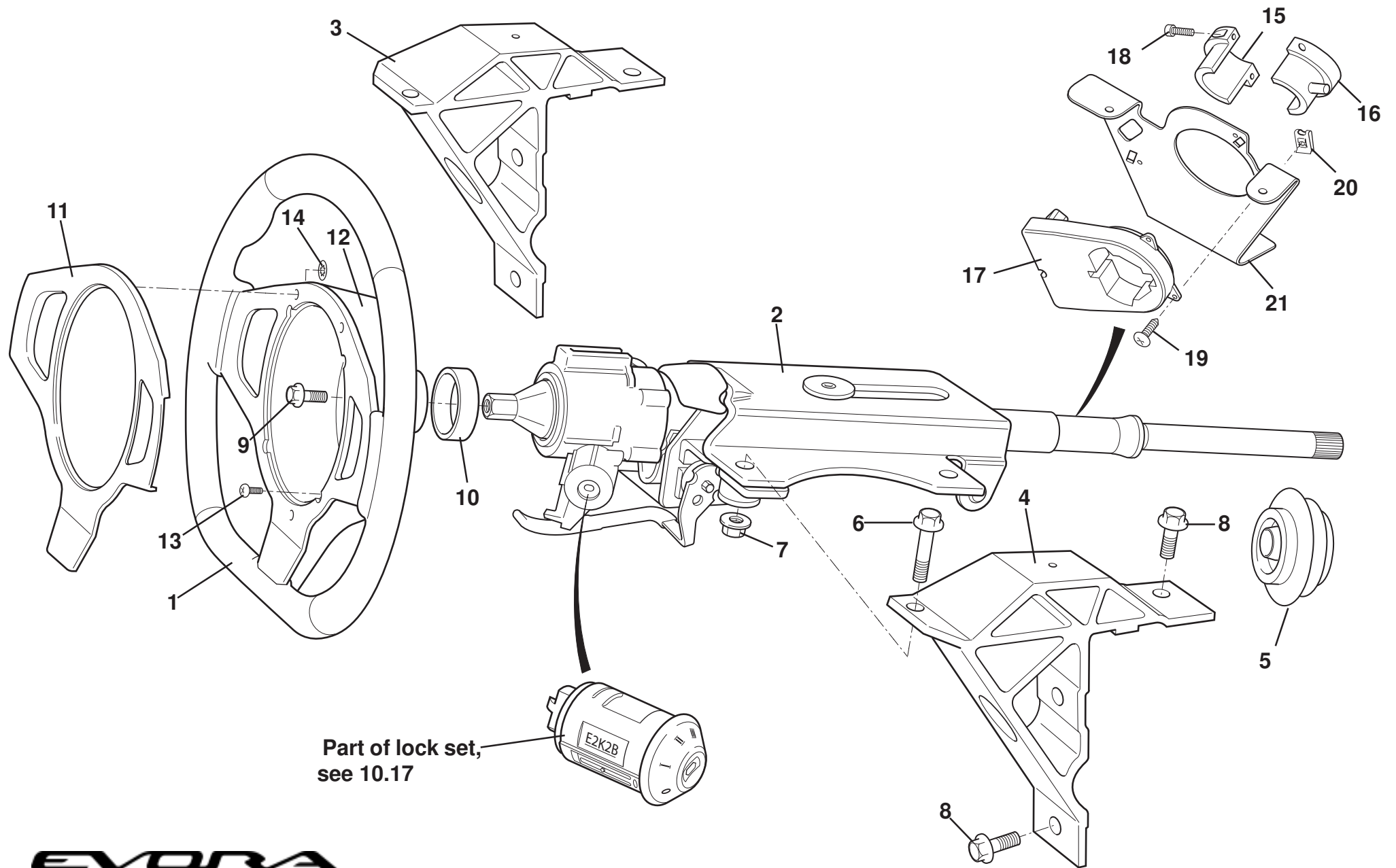


---

**Function Code 32.03 Power Steering unit, Reservoir, Plumbing**

| <u>Dep</u> | <u>Part Description</u>               | <u>Remarks</u>              | <u>Option</u> | <u>Part Number</u> | <u>Qty</u> |
|------------|---------------------------------------|-----------------------------|---------------|--------------------|------------|
| 32         | Pipe Clip, cooler to bracket          | Air cooled power steering   |               | A075Q6013Z         | 7          |
| 33         | Screw, M6 x 16, hex. Flg              | Air cooled power steering   |               | A132W5003F         | 8          |
| 34         | Banjo Bolt, M16                       | Supplied with hose assembly |               | A132H0096S         | 2          |
| 35         | Sealing Washer, banjo connection, M16 | Supplied with hose assembly |               | A132H0098S         | 4          |
| 36         | Clip Jubilee 8-16mm                   |                             |               | A132W6071F         | 4          |
| 37         | Clip Pipe 20-25                       |                             |               | A082W6296F         | 1          |
| 38         | Clip Pipe                             |                             |               | A111W6595F         | 2          |
| 39         | Nut M6 hex, flg                       |                             |               | A117W3180F         | 3          |
| 40         | Screw M6 x 20 hex flg                 |                             |               | A132W5003F         | 1          |
| 41         | Clip Swivel, 9.5-10.5 mm              | LHD, used on item 29a       |               | A089W6296F         | 3          |
| 42         | Clip Swivel, 60.-6.5 mm               | LHD, used on item 29a       |               | A082W6325F         | 2          |
| 43         | Clip Swivel                           | LHD, used on item 29a       |               | A082W6337F         | 1          |
| 44         | Sheath                                |                             |               | A132H0115K         | 1          |
| 45         | Cable Tie                             |                             |               | A132W6095F         | 3          |
| 46         | Bolt, reservoir bracket               |                             |               | A132E6365S         | 3          |
| 47         | Nyloc M10                             |                             |               | A111W3152F         | 2          |
| 48         | Lock Nut M14                          |                             |               | A075W3069Z         | 2          |





**EVORA**  
**32.05**

*Updated 1st July 2015*

# Service Parts List



## Function Code 32.05 Upper Column, Steering Wheel

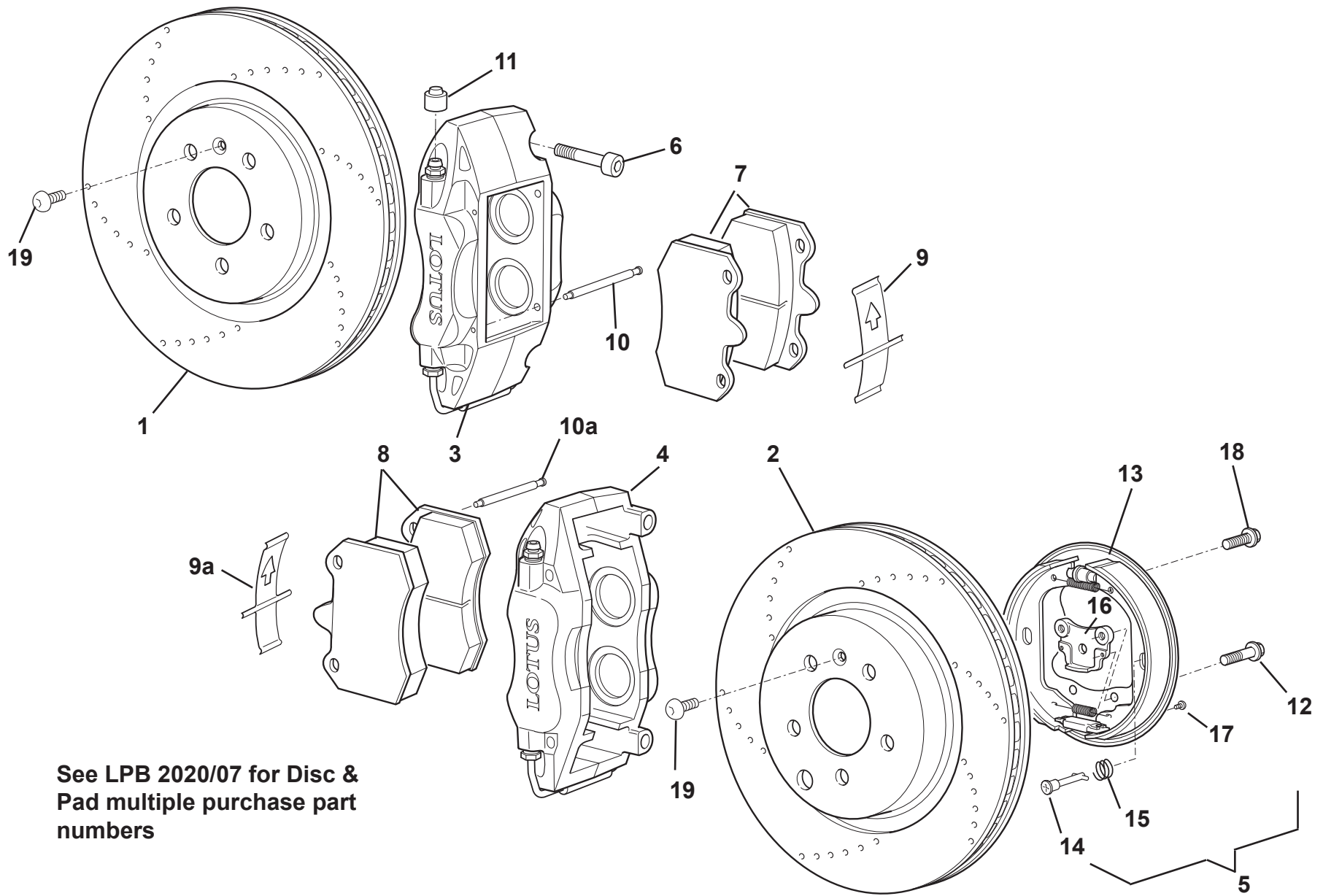
| <u>Dep</u> | <u>Part Description</u>                                   | <u>Remarks</u>                                 | <u>Option</u>                        | <u>Part Number</u> | <u>Qty</u> |
|------------|---|--|--------------------------------------|--------------------|------------|
| 01         | Steering Wheel Assembly                                   |  | MY10,11                              | D132U0206F         | 1          |
| 01a        | Steering Wheel Assembly                                   |  | MY12                                 | A132V0378F         | 1          |
| 02         | Steering Column Assembly                                  | Supplied with manual ignition switch           |                                      | A132H0087S         | 1          |
| 03         | Bracket, column support, LH                               |  |                                      | A132A0315F         | 1          |
| 04         | Bracket, column support, RH                               |  |                                      | A132A0316F         | 1          |
| 05         | Gaiter, column through bulkhead                           |  |                                      | A132H0057F         | 1          |
| 06         | Bolt, M8 x 45, flg. hd., bracket to column                |  |                                      | A132W2001F         | 2          |
| 07         | Nut, M8, flg., bracket to column                          |  |                                      | A132W3006F         | 2          |
| 08         | Bolt, M8 x 30, flg. hd., bracket to chassis               |  |                                      | A132W2020F         | 6          |
| 09         | Screw, M10 x 20, hex. hd./captive washer, wheel to column |  |                                      | A132H6001F         | 1          |
| 10         | Spacer, steering wheel to column                          | 14mm R/B 16mm,<br>see Service Bulletin 2011/11 | From vin BH_11619,<br>A132U0523F R/B | B132U0523F         | 1          |
| 11         | Finisher Trim, steering wheel                             |  |                                      | A132V0082F         | 1          |
| 11a        | Finisher Trim, steering wheel, black                      |  | MY12                                 | A132V0333F         | 1          |
| 12         | Back cover, steering wheel                                |  |                                      | A132U0351F         | 1          |
| 12a        | Back cover, steering wheel                                |  | Auto (NA & S/Charged)                | B132U0506F         | 1          |
| 13         | Screw, M4 x 12, pan pozi. hd., cover to wheel             |  |                                      | A132W5022F         | 4          |
| 14         | Fastener, starlock, finisher to wheel                     |  |                                      | A132W4004F         | 3          |



---

**Function Code 32.05 Upper Column, Steering Wheel**

| <u>Dep</u> | <u>Part Description</u>                     | <u>Remarks</u> | <u>Option</u> | <u>Part Number</u> | <u>Qty</u> |
|------------|---|----------------|---------------|--------------------|------------|
| 15         | Collar, SWA sensor LHS                      |                |               | A132J0101F         | 1          |
| 16         | Collar, SWA sensor RHS                      |                |               | A132J0102F         | 1          |
| 17         | Sensor, steering angle                      |                |               | A132J0092F         | 1          |
| 18         | Screw M5 x 25 Socket hd cap, SWA collar     |                |               | A132W7001F         | 1          |
| 19         | Screw No 6 flg pozi, sensor, steering angle |                |               | A075W5012F         | 3          |
| 20         | Nut Spire No 8, sensor, steering angle      |                |               | A075W6016Z         | 3          |
| 21         | Bracket SWA sensor RHD                      |                |               | B132J0100F         | 1          |
| 21a        | Bracket SWA sensor LHD                      |                |               | B132J0099F         | 1          |



See LPB 2020/07 for Disc & Pad multiple purchase part numbers

**EVORA**

**33.01**

# Service Parts List



## Function Code 33.01 Brake Discs, Calipers, & Parking Brake Assembly

| <u>Dep</u> | <u>Part Description</u>                   | <u>Remarks</u>                                     | <u>Option</u>                  | <u>Part Number</u>     | <u>Qty</u> |
|------------|---|--|--------------------------------|------------------------|------------|
| 01         | Brake Disc, front, not drilled, LH        | Not available as single disk see 01b               |                                | <b>B132J4017F</b>      | 1          |
| 01a        | Brake Disc, front, not drilled, RH        | Not available as single disk see 01b               |                                | <b>B132J4018F</b>      | 1          |
| 01b        | Brake Discs, front, not drilled, (Pair)   | For multiple purchase part numbers see LPB 2020/07 |                                | <b>B132J4017/18F/1</b> | 1          |
| 01c        | Brake Disc, front, cross-drilled, LH      | Not available as single disk see 01e               | Sports pack / Standard Evora S | <b>C132J4007F</b>      | 1          |
| 01d        | Brake Disc, front, cross-drilled, RH      | Not available as single disk see 01e               | Sports pack / Standard Evora S | <b>C132J4008F</b>      | 1          |
| 01e        | Brake Discs, front, cross-drilled, (Pair) | For multiple purchase part numbers see LPB 2020/07 | Sports pack / Standard Evora S | <b>C132J4007/08F/1</b> | 1          |
| 02         | Brake Disc, rear, not drilled, LH         | Not available as single disk see 02b               |                                | <b>B132J4019F</b>      | 1          |
| 02a        | Brake Disc, rear, not drilled, RH         | Not available as single disk see 02b               |                                | <b>B132J4020F</b>      | 1          |
| 02b        | Brake Discs, rear, not drilled, (Pair)    | For multiple purchase part numbers see LPB 2020/07 |                                | <b>B132J4019/20F/1</b> | 1          |
| 02c        | Brake Disc, rear, cross-drilled, LH       | Not available as single disk see 02e               | Sports pack / Standard Evora S | <b>B138J4051F</b>      | 1          |
| 02d        | Brake Disc, rear, cross-drilled, RH       | Not available as single disk see 02e               | Sports pack / Standard Evora S | <b>B138J4052F</b>      | 1          |
| 02e        | Brake Discs, rear, cross-drilled, (Pair)  | For multiple purchase part numbers see LPB 2020/07 | Sports pack / Standard Evora S | <b>B138J4051/52F/1</b> | 1          |



**Function Code 33.01 Brake Discs, Calipers, & Parking Brake Assembly**

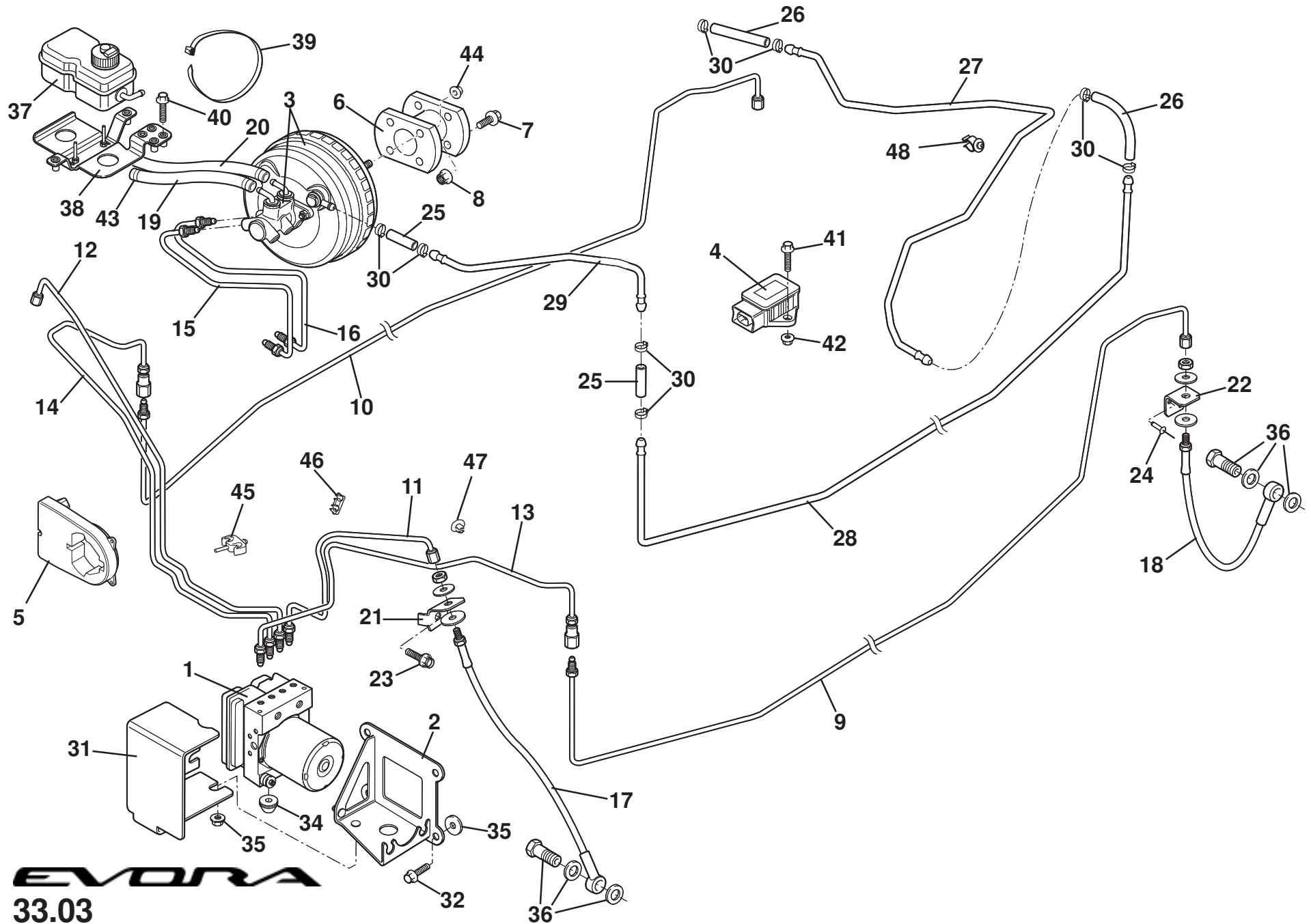
| <u>Dep</u> | <u>Part Description</u>                          | <u>Remarks</u>                                     | <u>Option</u> | <u>Part Number</u> | <u>Qty</u> |
|------------|--|--|---------------|--------------------|------------|
| 03         | Brake Caliper, front, LH                         | Includes pads                                      |               | <b>B132J4001F</b>  | 1          |
| 03a        | Brake Caliper, front, black, LH                  | Includes pads                                      |               | <b>A132J4021F</b>  | 1          |
| 03b        | Brake Caliper, front, red, LH                    | Includes pads                                      | MY12 Optional | <b>A132J4045F</b>  | 1          |
| 03c        | Brake Caliper, front, RH                         | Includes pads                                      |               | <b>B132J4002F</b>  | 1          |
| 03d        | Brake Caliper, front, black, RH                  | Includes pads                                      |               | <b>A132J4022F</b>  | 1          |
| 03e        | Brake Caliper, front, red, RH                    | Includes pads                                      | MY12 Optional | <b>A132J4046F</b>  | 1          |
| 04         | Brake Caliper, rear, LH                          | Includes pads                                      |               | <b>B132J4003F</b>  | 1          |
| 04a        | Brake Caliper, rear, black, LH                   | Includes pads                                      |               | <b>A132J4023F</b>  | 1          |
| 04b        | Brake Caliper, rear, red, LH                     | Includes pads                                      | MY12 Optional | <b>A132J4047F</b>  | 1          |
| 04c        | Brake Caliper, rear, RH                          | Includes pads                                      |               | <b>B132J4004F</b>  | 1          |
| 04d        | Brake Caliper, rear, black, RH                   | Includes pads                                      |               | <b>A132J4024F</b>  | 1          |
| 04e        | Brake Caliper, rear, red, RH                     | Includes pads                                      | MY12 Optional | <b>A132J4048F</b>  | 1          |
| 05         | Parking Brake Assembly                           | Black painted brake shoes                          |               | <b>B132J0145F</b>  | 2          |
| 06         | Bolt, M12 x 55, cap. hd., caliper to hub carrier |  |               | <b>A132W2039F</b>  | 8          |
| 07         | Brake Pad set, front, includes clips and pins    | For multiple purchase part numbers see LPB 2020/07 |               | <b>A132J0001S</b>  | 1          |
| 08         | Brake Pad set, rear includes clips and pins      | For multiple purchase part numbers see LPB 2020/07 |               | <b>A132J0002S</b>  | 1          |
| 09         | Clip, anti-rattle front                          |  |               | <b>A132J6056S</b>  | 2          |
| 09a        | Clip, anti-rattle rear                           |  |               | <b>A132J6061S</b>  | 2          |
| 10         | Pin, pad retaining front                         |  |               | <b>A132J6057S</b>  | 4          |
| 10a        | Pin, pad retaining rear                          |  |               | <b>A132J6062S</b>  | 4          |



---

**Function Code 33.01 Brake Discs, Calipers, & Parking Brake Assembly**

| <u>Dep</u> | <u>Part Description</u>                                  | <u>Remarks</u> | <u>Option</u> | <u>Part Number</u> | <u>Qty</u> |
|------------|--|----------------|---------------|--------------------|------------|
| 11         | Dust Cap, bleed nipple                                   |                |               | A132J6058S         | 8          |
| 12         | Bolt, M10 x 30, hex. flg. hd, block to backplate         |                |               | A132W2004F         | 4          |
| 13         | Back Plate, parking brake                                |                |               | B132J0134F         | 2          |
| 14         | Fastener, quarter turn, shoe retaining                   |                |               | A132J6047F         | 4          |
| 15         | Spring, fastener to backplate                            |                |               | A132J6048F         | 4          |
| 16         | Support Block, shoe assembly                             |                |               | A132J6045F         | 2          |
| 17         | Screw, M6 x 7, button hd., block to backplate            |                |               | A132W5024F         | 4          |
| 18         | Screw, M10 x 25, hex. flg. hd., backplate to hub carrier |                |               | A132W5008F         | 2          |
| 19         | Screw, M8 x 12 skt. hd cap, disc to hub                  |                |               | A111W7131F         | 4          |



**EVORA**  
33.03

*Updated 1st August 2014*



# Service Parts List

# EVORA



## Function Code 33.03 Master Cylinder, Servo, ABS Controller, Pipes & Hoses

| <u>Dep</u> | <u>Part Description</u>                          | <u>Remarks</u>  | <u>Option</u>                                      | <u>Part Number</u> | <u>Qty</u> |
|------------|--|---|--|--------------------|------------|
| 01         | ABS Module (cars with standard T/C)              | Supplied pre-filled, dealer programmed on tech centre | All non USA up to BH_11177                         | <b>A132J0095S</b>  | 1          |
| 01a        | ESP Module (cars with Lotus DPM), uncalibrated   | Supplied pre-filled, dealer programmed on tech centre | All USA from SOP, common all markets from BH_11178 | <b>A132J0223S</b>  | 1          |
| 02         | Bracket, ABS module                              |   |  | <b>B132J0008F</b>  | 1          |
| 03         | Brake Servo and Master Cylinder Assembly         |   |  | <b>A132J6004F</b>  | 1          |
| 04         | Yaw Rate Sensor                                  | Under tunnel trim                                     |  | <b>A132J0093F</b>  | 1          |
| 05         | Steering Angle Sensor                            | See 32.05   |  | <b>A132J0092F</b>  | 1          |
| 06         | Spacer, brake servo                              |   |  | <b>B132J0048H</b>  | 1          |
| 07         | Screw M8 x 25, hex flg hd. Spacer to pedal box   |   |  | <b>A132J6026H</b>  | 4          |
| 08         | Nut M8 hex flg., spacer to pedal box             |   |  | <b>A132J6024H</b>  | 4          |
| 09         | Brake Pipe Assembly, side, LH                    |   |  | <b>B132J0014F</b>  | 1          |
| 10         | Brake Pipe Assembly, side, RH                    |   |  | <b>B132J0015F</b>  | 1          |
| 11         | Brake Pipe Assembly, front, LH, LHD              |   |  | <b>B132J0018F</b>  | 1          |
| 11a        | Brake Pipe Assembly, front, LH, RHD              |   |  | <b>B132J0025F</b>  | 1          |
| 12         | Brake Pipe Assembly, front, RH, LHD              |   |  | <b>B132J0019F</b>  | 1          |
| 12a        | Brake Pipe Assembly, front, RH, RHD              |   |  | <b>B132J0026F</b>  | 1          |
| 13         | Brake Pipe Assembly, front, rear brakes, LH, LHD |   |  | <b>B132J0020F</b>  | 1          |
| 13a        | Brake Pipe Assembly, front, rear brakes, LH, RHD |   |  | <b>B132J0027F</b>  | 1          |

**Function Code 33.03 Master Cylinder, Servo, ABS Controller, Pipes & Hoses**

| <u>Dep</u> | <u>Part Description</u>                           | <u>Remarks</u>         | <u>Option</u> | <u>Part Number</u> | <u>Qty</u> |
|------------|---|------------------------|---------------|--------------------|------------|
| 14         | Brake Pipe Assembly, front, rear brakes, RH, LHD  |                        |               | B132J0021F         | 1          |
| 14a        | Brake Pipe Assembly, front, rear brakes, RH, RHD  |                        |               | B132J0028F         | 1          |
| 15         | Brake Pipe Assembly, M/C front to ABS module, LHD |                        |               | B132J0022F         | 1          |
| 15a        | Brake Pipe Assembly, M/C front to ABS module, RHD |                        |               | B132J0029F         | 1          |
| 16         | Brake Pipe Assembly, M/C rear to ABS module, LHD  |                        |               | B132J0023F         | 1          |
| 16a        | Brake Pipe Assembly, M/C rear to ABS module, RHD  |                        |               | B132J0030F         | 1          |
| 17         | Hose, braided, pipe to caliper, front             |                        |               | B132J0012F         | 2          |
| 18         | Hose, braided, pipe to caliper, rear LH           |                        |               | A132J4037F         | 1          |
| 18a        | Hose, braided, pipe to caliper, rear RH           |                        |               | A132J4038F         | 1          |
| 19         | Hose, reservoir to M/C front, LHD                 | Cut to length          |               | A132J0308V         | 241mm      |
| 19a        | Hose, reservoir to M/C front, RHD                 | Cut to length          |               | A132J0308V         | 241mm      |
| 20         | Hose, reservoir to M/C rear, LHD                  | Cut to length          |               | A132J0308V         | 337mm      |
| 20a        | Hose, reservoir to M/C rear, RHD                  | Cut to length          |               | A132J0308V         | 120mm      |
| 21         | Bracket, brake hose front, LH                     |                        |               | B132J4015F         | 1          |
| 21a        | Bracket, brake hose front, RH                     |                        |               | B132J4016F         | 1          |
| 22         | Bracket, brake hose rear                          |                        |               | C132J0017F         | 2          |
| 23         | Bolt, M8 x 30, hex. flg. hd., bracket to chassis  | Subframe mounting bolt |               | A132W2020F         | 2          |
| 24         | Pop Rivet, pipe bracket to subframe               |                        |               | A085W6259F         | 4          |
| 25         | Hose, vacuum connection, short                    |                        |               | B132J0074F         | 2          |
| 26         | Hose, vacuum connection, long                     |                        |               | B132J0090F         | 2          |
| 27         | Pipe, vacuum, rear                                |                        |               | B132J0072F         | 1          |

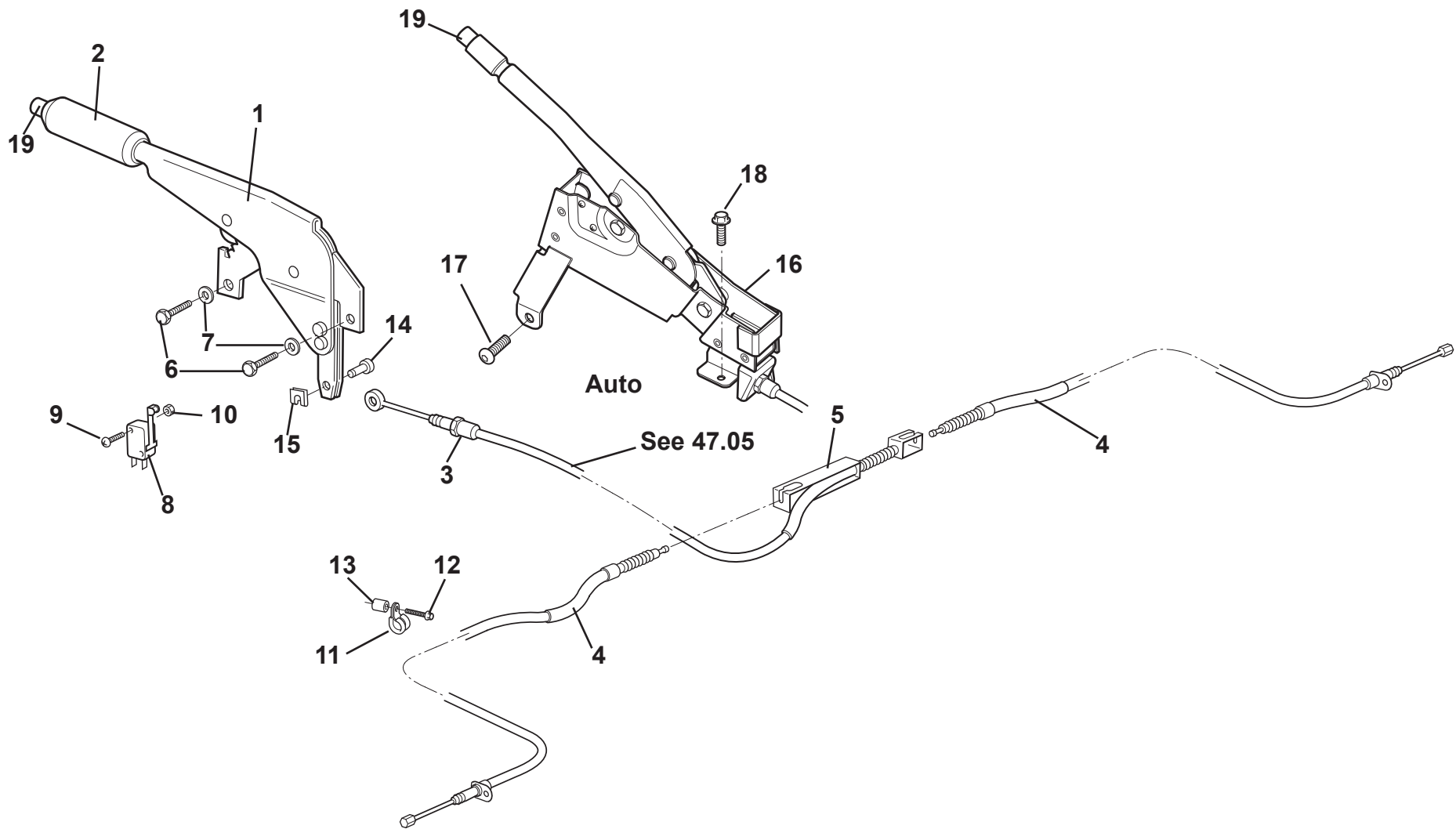
**Function Code 33.03 Master Cylinder, Servo, ABS Controller, Pipes & Hoses**

| <u>Dep</u> | <u>Part Description</u>                               | <u>Remarks</u>       | <u>Option</u>          | <u>Part Number</u> | <u>Qty</u> |
|------------|---|----------------------|------------------------|--------------------|------------|
| 27a        | Pipe, vacuum, rear                                    |                      | S/Charged (man & auto) | A132J0224F         | 1          |
| 28         | Pipe, vacuum, side                                    |                      |                        | B132J0073F         | 1          |
| 29         | Pipe, vacuum, front, LHD                              |                      |                        | B132J0075F         | 1          |
| 29a        | Pipe, vacuum, front, RHD                              |                      |                        | B132J0076F         | 1          |
| 30         | Hose Clip, vacuum hoses to pipes                      |                      |                        | A120W6739F         | 6          |
| 31         | Cover, ABS module                                     |                      |                        | A132J0137F         | 1          |
| 32         | Screw, M8 x 20, bracket to subframe                   |                      |                        | A132W5005F         | 4          |
| 33         | Washer, bracket to subframe                           |                      |                        | B132J0082F         | 4          |
| 34         | Bush, module to bracket                               |                      |                        | A132J6044F         | 1          |
| 35         | Nut, M6, flg., cover to bracket                       |                      |                        | A117W3180F         | 2          |
| 36         | Banjo Bolt & Washers                                  | P/O hose assembly    |                        | B132J6006J         | 4          |
| 37         | Reservoir, brake & clutch fluid                       |                      |                        | A116J0048F         | 1          |
| 37a        | Reservoir, brake                                      |                      | Auto (NA & S/Charged)  | A132J0200F         | 1          |
| 38         | Bracket Assembly, reservoir mounting                  |                      |                        | B132J0065F         | 1          |
| 39         | Cable Tie, reservoir to bracket                       |                      |                        | B075W6045Z         | 1          |
| 40         | Screw, M6 x 16, hex. flg. hd., bracket to wiper mech. |                      |                        | A132W5003F         | 2          |
| 41         | Screw, M6 x 20, hex. flg. hd., sensor mounting        |                      |                        | A117W2203F         | 2          |
| 42         | Nut M6, flg., sensor mounting                         |                      |                        | A117W3180F         | 2          |
| 43         | Clip, Oetiker, reservoir hoses                        | Refer to TSB 2015/02 | A075W6038Z R/B         | A132W6109F         | 6          |
| 44         | Nut M8 hex flg  |                      |                        | A111W3154F         | 4          |
| 45         | Pipe Support Clip, 2 way                              |                      |                        | A100J6044F         | 3          |

---

**Function Code 33.03 Master Cylinder, Servo, ABS Controller, Pipes & Hoses**

| <u>Dep</u> | <u>Part Description</u> | <u>Remarks</u> | <u>Option</u> | <u>Part Number</u> | <u>Qty</u> |
|------------|-------------------------|----------------|---------------|--------------------|------------|
| 46         | Pipe Clip, 2 way        |                |               | A082W6547F         | 2          |
| 47         | Pipe Clip               |                |               | A116J6661F         | 2          |
| 48         | Pipe Clip               |                |               | A132W6023F         | 2          |



**EVORA**

**33.05**

*Updated 14th August 2020*

# Service Parts List

# EVORA



## Function Code 33.05 Parking Brake Mechanism

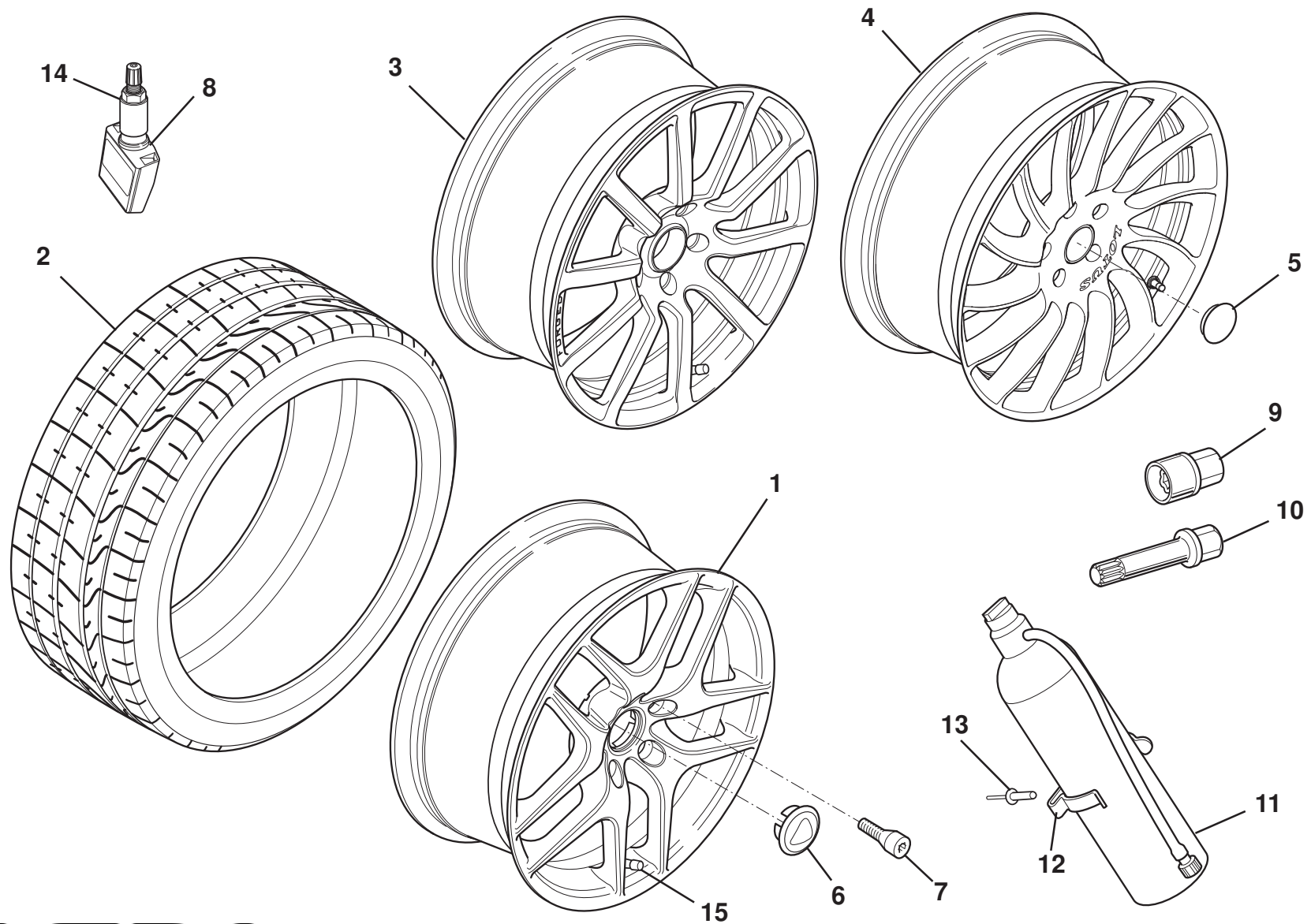
| <u>Dep</u> | <u>Part Description</u>                               | <u>Remarks</u>  | <u>Option</u> | <u>Part Number</u> | <u>Qty</u> |
|------------|---|-----------------|---------------|--------------------|------------|
| 01         | Parking Brake Assembly, without hand grip             |                 |               | A132J0147F         | 1          |
| 02         | Parking Brake Hand-Grip, alloy,leather, black         |                 |               | A132U0211J         | 1          |
| 02a        | Parking Brake Hand-Grip, alloy,leather, ivory white   |                 | MY12          | A132V0774S         | 1          |
| 02b        | Parking Brake Hand-Grip, alloy,leather, venom red     |                 | MY12          | A132V0775S         | 1          |
| 02c        | Parking Brake Hand-Grip, alloy,leather, ash grey      |                 | MY12          | A132V0776S         | 1          |
| 02d        | Parking Brake Hand-Grip, alloy,leather, cognac brown  |                 | MY12          | A132V0777S         | 1          |
| 02e        | Parking Brake Hand-Grip, alloy,leather, cocoa brown   |                 | MY12          | A132V0778S         | 1          |
| 02f        | Parking Brake Hand-Grip, alloy,leather, imperial blue |                 | MY12          | A132V0779S         | 1          |
| 02g        | Parking Brake Hand-Grip, alloy, suedetex              |                 |               | A132V0780S         | 1          |
| 02h        | Parking Brake Hand-Grip, alloy,leather, ebony black   | Red stitching   | MY12          | A132V0781S         | 1          |
| 02i        | Parking Brake Hand-Grip, alloy,leather, venom red     | Black stitching | MY12          | A132V0782S         | 1          |
| 02j        | Brake Hand-Grip, alloy,leather, imperial blue         | Black stitching | MY12          | A132V0783S         | 1          |
| 02k        | Parking Brake Hand-Grip, alloy,leather, cocoa brown   | Black stitching | MY12          | A132V0784S         | 1          |
| 02l        | Parking Brake Hand-Grip, alloy, suedetex              | Red stitching   | MY12          | A132V0997S         | 1          |
| 03         | Cable, parking brake, front                           |                 |               | B132J0004F         | 1          |
| 04         | Cable, parking brake, rear                            |                 |               | C132J0005F         | 2          |
| 05         | Equaliser, parking brake cables                       |                 |               | A132J0116H         | 1          |
| 06         | Screw, M8 x 25, hex. hd., lever fixing                |                 |               | A075W1039Z         | 2          |

EVORA

---

**Function Code 33.05 Parking Brake Mechanism**

| <u>Dep</u> | <u>Part Description</u>                                  | <u>Remarks</u> | <u>Option</u>       | <u>Part Number</u> | <u>Qty</u> |
|------------|--|----------------|---------------------|--------------------|------------|
| 07         | Washer, flat, M8 x 16 x 1.4, lever fixing                |                |                     | A075W4020Z         | 2          |
| 08         | Switch, parking brake tell-tale                          |                |                     | A132J6060S         | 1          |
| 09         | Screw, M3 x 16, pan hd. pozi., switch fixing             |                |                     | A082W5110F         | 2          |
| 10         | Nyloc Nut, M3, switch fixing                             |                |                     | A079W3060F         | 2          |
| 11         | 'P' Clip, cable retention                                |                |                     | A075Q6013Z         | 2          |
| 12         | Bolt, M6 x 40, hex. flg. hd., 'P' clip fixing            |                |                     | A132W2019F         | 2          |
| 13         | Spacer, cable retention                                  |                |                     | A132J0115F         | 2          |
| 14         | Clevis Pin   |                |                     | A132J0236S         | 1          |
| 15         | Clip, pin retention                                      |                |                     | A132J0237S         | 1          |
| 16         | Parking Brake and Cable Assembly                         |                | Auto NA & S/Charged | A132J0148F         | 1          |
| 17         | Screw, M8 x 20, btn. hd., parking brake assy. Fixing     |                | Auto NA & S/Charged | A075W7022F         | 2          |
| 18         | Screw, M6 x 16, hex flg. hd., parking brake assy. Fixing |                | Auto NA & S/Charged | A132W5003F         | 2          |
| 19         | Aluminium Handbrake Release Button                       |                |                     | LOTAC05570         | 1          |



**EVORA**

**34.01**

*Updated 27th february 2013*



# Service Parts List

# EVORA



## Function Code 34.01 Wheels, Tyres & Valves

| <u>Dep</u> | <u>Part Description</u>                                     | <u>Remarks</u>  | <u>Option</u> | <u>Part Number</u> | <u>Qty</u> |
|------------|---|-----------------|---------------|--------------------|------------|
| 01         | Road Wheel, front, ten spoke, sterling silver, 8.0J x 18    |                 |               | A132G0006F         | 2          |
| 01a        | Road Wheel, rear, ten spoke, sterling silver, 9.5J x 19     |                 |               | A132G0007F         | 2          |
| 01b        | Road Wheel, front, ten spoke, stealth grey, 8.0J x 18       |                 |               | A132G0008F         | 2          |
| 01c        | Road Wheel, rear, ten spoke, stealth grey, 9.5J x 19        |                 |               | A132G0009F         | 2          |
| 01d        | Road Wheel, front, ten spoke, HP silver, 8.0J x 18          |                 |               | A132G0083F         | 2          |
| 01e        | Road Wheel, rear, ten spoke, HP silver, 9.5J x 19           |                 |               | A132G0084F         | 2          |
| 02         | Tyre, front, 225/40 ZR18, Pirelli P zero                    |                 |               | A132G6005F         | 2          |
| 02a        | Tyre, rear, 255/35 ZR19, Pirelli P zero                     |                 |               | A132G6006F         | 2          |
| 2b         | Tyre, front, 235/35 ZR19, Pirelli P corsa                   |                 | Optional      | A132G0093F         | 2          |
| 2c         | Tyre, rear, 275/30 ZR20, Pirelli P corsa                    |                 | Optional      | A132G0095F         | 2          |
| 02d        | Winter Tyre, front, 215/40 R18, Yokohama W. drive           | Not illustrated |               | A132G0021L         | 2          |
| 02e        | Winter Tyre, rear, 245/35 R19, Yokohama W. drive            | Not illustrated |               | A132G0022L         | 2          |
| 02f        | Tyre Spare 225/40 R19                                       |                 | Gulf States   | A132G0190F         | 1          |
| 03         | Road Wheel, forged, front, 10 spoke, anthracite, 8.0J x 18  | Gloss           | Optional      | B132G0049F         | 2          |
| 03a        | Road Wheel, forged, rear, 10 spoke, anthracite, 9.5J x 19   | Gloss           | Optional      | B132G0050F         | 2          |
| 03b        | Road Wheel, forged, front, 10 spoke, HP silver, 8.0J x 18   |                 | Optional      | B132G0051F         | 2          |
| 03c        | Road Wheel, forged, rear, 10 spoke, HP silver, 9.5J x 19    |                 | Optional      | B132G0052F         | 2          |
| 03d        | Road Wheel, forged, frt, 10 spoke, f1 anthracite, 8.0J x 18 | Matt            | Optional      | A132G0077F         | 2          |

EVORA

**Function Code 34.01 Wheels, Tyres & Valves**

| <b>Dep</b> | <b>Part Description</b>                                      | <b>Remarks</b>                    | <b>Option</b>               | <b>Part Number</b> | <b>Qty</b> |
|------------|--|-----------------------------------|-----------------------------|--------------------|------------|
| 03e        | Road Wheel, forged, rr, 10 spoke, f1 anthracite, 9.5J x 19   | Matt                              | Optional                    | <b>A132G0078F</b>  | 2          |
| 03f        | Road Wheel, forged frt, 10 spoke, et55 anthracite, 8.0J x 19 | Machined spoke faces              | Optional                    | <b>A132G0092F</b>  | 2          |
| 03g        | Road Wheel, forged, rr, 10 spoke, et69 anthracite, 9.5J x 20 | Machined spoke faces              | Optional                    | <b>A132G0094F</b>  | 2          |
| 03h        | Road Wheel, forged frt, 10 spoke et55 gloss black, 8.0J x 19 |                                   | MY12 Option                 | <b>A132G0102F</b>  | 2          |
| 03i        | Road Wheel, forged rr, 10 spoke et69 gloss black, 9.5J x 20  |                                   | MY12 Option                 | <b>A132G0103F</b>  | 2          |
| 03j        | Road Wheel, forged, frt, 10 spoke et55 stealth grey, 8.0Jx19 |                                   | MY12 Option                 | <b>A132G0104F</b>  | 2          |
| 03k        | Road Wheel, forged, rr, 10 spoke,et69 stealth grey, 9.5Jx20  |                                   | MY12 Option                 | <b>A132G0105F</b>  | 2          |
| 03l        | Wheel Spare et55 8.0J x 19 red                               |                                   | Gulf States                 | <b>A132G0216F</b>  | 1          |
| 04         | Road Wheel, forged, LHF,extreme turbine graphite 8.0J x 18   | Machined spoke faces satin finish | Optional                    | <b>A132G4041F</b>  | 1          |
| 04a        | Road Wheel, forged, RHF,extreme turbine graphite 8.0J x 18   | Machined spoke faces satin finish | Optional                    | <b>A132G4042F</b>  | 1          |
| 04b        | Road Wheel, forged, LHR,extreme turbine graphite 9.5J x 19   | Machined spoke faces satin finish | Optional                    | <b>A132G4043F</b>  | 1          |
| 04c        | Road Wheel, forged, RHR,extreme turbine graphite 9.5J x 19   | Machined spoke faces satin finish | Optional                    | <b>A132G4044F</b>  | 1          |
| 05         | Wheel centre Cap   |                                   | Optional, for turbine wheel | <b>LOTAC05519</b>  | 4          |
| 06         | Wheel Centre Cover, Lotus logo                               |                                   |                             | <b>A132G0174F</b>  | 4          |
| 07         | Wheel Bolt, socket hd.                                       |                                   |                             | <b>A132G6002F</b>  | 16         |



---





**Function Code 34.01 Wheels, Tyres & Valves**

| <u>Dep</u> | <u>Part Description</u>             | <u>Remarks</u>                     | <u>Option</u> | <u>Part Number</u> | <u>Qty</u> |
|------------|-------------------------------------|------------------------------------|---------------|--------------------|------------|
| 08         | Tyre Valve/TPMS Transmitter         | Does not include item 14           |               | A121G6000F         | 4          |
| 09         | Security Wheelbolt Kit              | Incl. ID strip & instruction card* |               | A132G0047F         | 1          |
| 10         | Adaptor, wheel bolt                 |                                    |               | A132G6003F         | 1          |
| 11         | Tyre Weld, repair canister          |                                    |               | A132G6000F         | 1          |
| 12         | Terry Clip, canister retaining      |                                    |               | A132U6085F         | 1          |
| 13         | Pop Rivet, clip to bootbox          |                                    |               | A085W6259F         | 2          |
| 14         | Nut, conical seal, TPMS transmitter |                                    |               | A121G6001F         | 4          |
| 15         | Tyre Valve                          |                                    | Non-TPMS      | A117G6007H         | 4          |



\* For replacement keys contact  
Aftersales, quoting ID

---





 A132G4041F 8.0 x 18  
 A132G4042F 8.0 x 18  
 A132G4043F 9.5 x 19  
 A132G4044F 9.5 x 19  
 Machined face





 A132G0006F 8.0 x 18  
 A132G0007F 9.5 x 19  
 Sterling Silver





 A132G0083F 8.0 x 18  
 A132G0084F 9.5 x 19  
 HP Silver





 A132G0008F 8.0 x 18  
 A132G0009F 9.5 x 19  
 Stealth grey





 B132G0051F 8.0 x 18  
 B132G0052F 9.5 x 19  
 HP Silver





 B132G0049F 8.0 x 18  
 B132G0050F 9.5 x 19  
 Gloss anthracite





 A132G0077F 8.0 x 18  
 A132G0078F 9.5 x 19  
 Matt anthracite  
 Machined face





 A132G0092F 8.0 x 19  
 A132G0094F 9.5 x 20  
 Matt anthracite  
 Diamond cut





 A132G0102F 8.0 x 19  
 A132G0103F 9.5 x 20  
 Gloss black



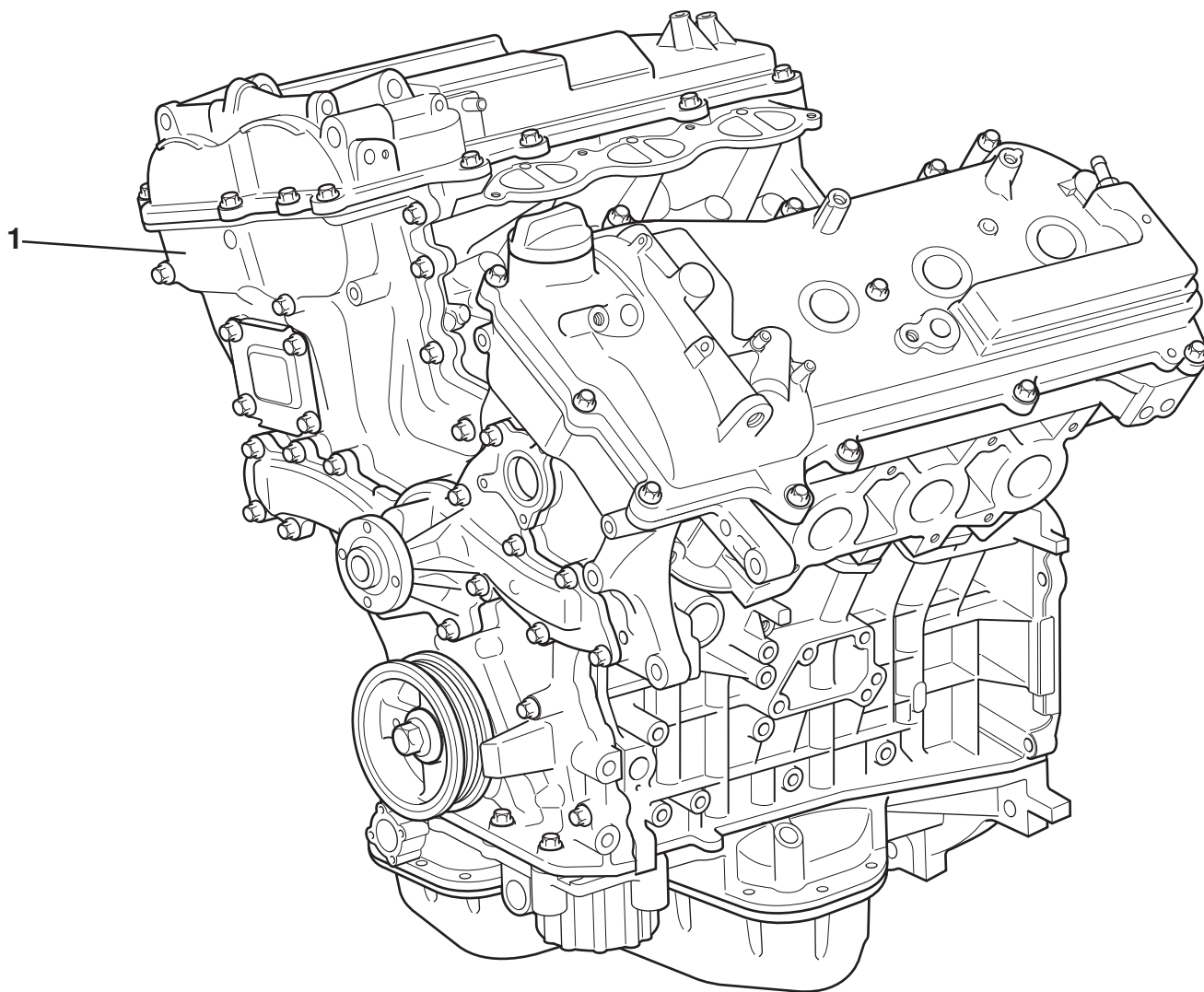
 A132G0104F 8.0 x 19  
 A132G0105F 9.5 x 20  
 Stealth grey



 A132G0110S 8.0 x 19  
 A132G0111S 9.5 x 20  
 Satin gold



A132G0216F 8.0 x 19  
Red (GCC Spare)



**EVORA**  
40.00

2010/01

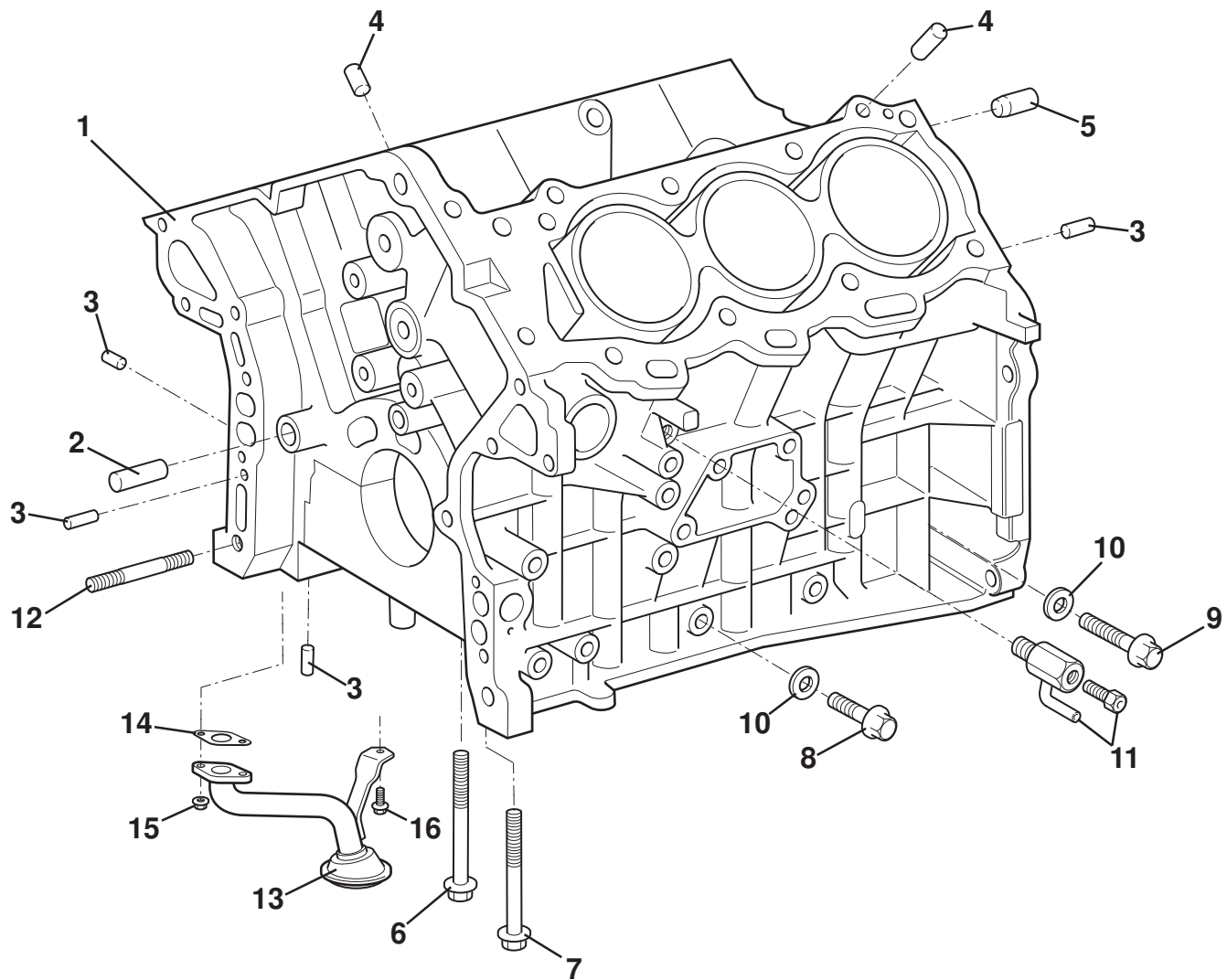
# Service Parts List

# EVORA



## Function Code 40.00 Engine Assemblies

| <u>Dep</u> | <u>Part Description</u>   | <u>Remarks</u> | <u>Option</u>                                  | <u>Part Number</u> | <u>Qty</u> |
|------------|---------------------------|----------------|--|--------------------|------------|
| 01         | Engine, short block assy. |                | All  | <b>A132E6098S</b>  | 1          |
| 01a        | Engine Assembly, 2GR-FE   | Complete       | Normally Aspirated, Manual transmission        | <b>A132E6398NM</b> | 1          |
| 01b        | Engine Assembly, 2GR-FE   | Complete       | Supercharged, Manual transmission              | <b>A132E6398SM</b> | 1          |
| 01c        | Engine Assembly, 2GR-FE   | Complete       | Normally Aspirated, IPS Automatic transmission | <b>A132E6398NA</b> | 1          |
| 01d        | Engine Assembly, 2GR-FE   | Complete       | Supercharged, IPS Automatic transmission       | <b>A132E6398SA</b> | 1          |



**EVORA**  
40.01

# Service Parts List

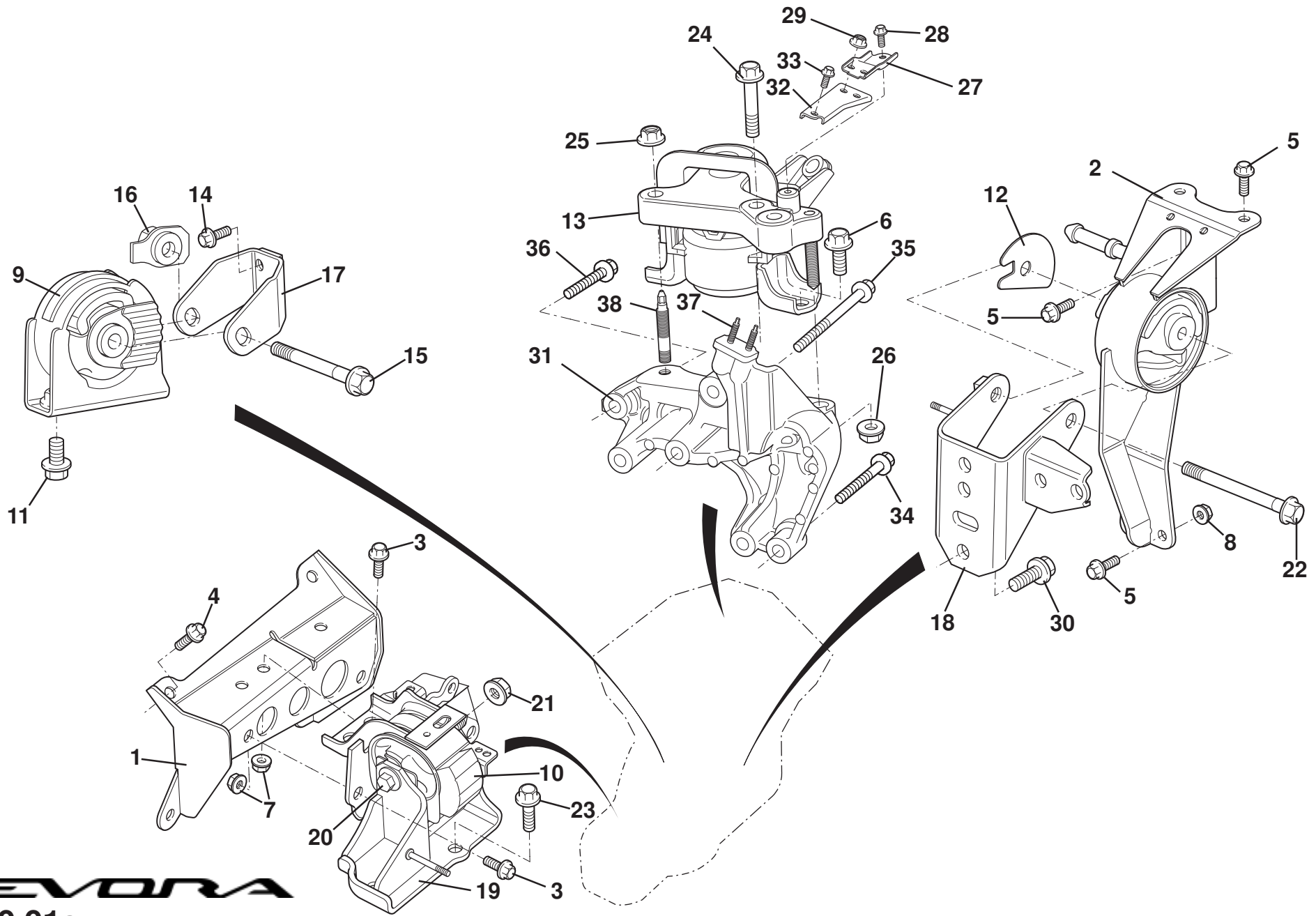


## Function Code 40.01 Engine Block & Oil Pick up

| <u>Dep</u> | <u>Part Description</u>                            | <u>Remarks</u>                | <u>Option</u> | <u>Part Number</u> | <u>Qty</u> |
|------------|--|-------------------------------|---------------|--------------------|------------|
| 01         | Cylinder Block Assembly                            |                               |               | A132E6144S         | 1          |
| 02         | Dowell Pin, block to idler bracket                 |                               |               | A132E6157S         | 1          |
| 03         | Dowell Pin, block - sump. engine mount, F/R covers |                               |               | A132E6155S         | 8          |
| 04         | Dowell Pin, block to cylinder heads                |                               |               | A132E6156S         | 4          |
| 05         | Dowell, block to end plate                         |                               |               | A132E6158S         | 2          |
| 06         | Bolt, bearing cap, inner                           |                               |               | A132E6147S         | 8          |
| 07         | Bolt, main bearing cap, outer                      |                               |               | A132E6146S         | 8          |
| 08         | Bolt, main bearing cap cross retention             | Front and centre pair of caps |               | A132E6148S         | 6          |
| 09         | Bolt, main bearing cap cross retention, rear       | Rear cap                      |               | A132E6149S         | 2          |
| 10         | Sealing Washer, cross-bolts                        |                               |               | A132E6154S         | 4          |
| 11         | Drain Cock Assembly                                | Includes screw                |               | A132E6159S         | 2          |
| 11a        | Plug screw, drain cock                             |                               |               | A120E6441S         | 2          |
| 12         | Stud, block to front cover                         |                               |               | A132E6152S         | 2          |
| 13         | Oil Pick-up Pipe Assembly                          |                               |               | A132E6420S         | 1          |
| 14         | Gasket, pick-up pipe                               | Also see 40.02a               |               | A132E6234S         | 1          |
| 15         | Nut, flg, pipe to front cover                      |                               |               | A132E6473S         | 2          |
| 16         | Screw, hex. flg. hd., pipe retention               |                               |               | A132E6173S         | 1          |







**EVORA**  
40.01a

*Updated 4th June 2018*

# Service Parts List

# EVORA



## Function Code 40.01a Engine Mounts

| <u>Dep</u> | <u>Part Description</u>                              | <u>Remarks</u> | <u>Option</u>         | <u>Part Number</u> | <u>Qty</u> |
|------------|--|----------------|-----------------------|--------------------|------------|
| 01         | Bracket, insulator to subframe LH                    |                |                       | C132A0037F         | 1          |
| 01a        | Bracket, insulator to subframe LH                    |                | Auto (NA & S/Charged) | A132A0382F         | 1          |
| 02         | Insulator/Bracket Assembly, engine mount rear        |                |                       | D132A0224J         | 1          |
| 02a        | Insulator/Bracket Assembly, engine mount rear        |                | Auto (NA & S/Charged) | B132A0404J         | 1          |
| 03         | Bolt, M10 x 30, hex. flg. hd., insulator fixing      |                |                       | A132W2004F         | 5          |
| 03a        | Bolt, M12 x 30, hex. flg. hd., insulator fixing      |                | Auto (NA & S/Charged) | A132W2018F         | 4          |
| 04         | Screw, M10 x 25, hex. flg. hd., bracket to subframe  |                |                       | A132W5008F         | 4          |
| 05         | Screw, M8 x 25, hex. flg. hd., bracket to subframe   |                |                       | A132W5006F         | 5          |
| 06         | Bolt, M12 x 30, hex. flg. hd., insulator to subframe |                |                       | A132W2018F         | 3          |
| 07         | Nut, M10, flg., insulator fixing                     |                |                       | A132W3005F         | 5          |
| 08         | Nut, M8, flg., bracket to subframe                   |                |                       | A132W3006F         | 2          |
| 09         | Insulator Assembly, engine mount front               |                |                       | A132F0226J         | 1          |
| 09a        | Insulator Assembly, engine mount front               |                | Auto (NA & S/Charged) | B132F0042J         | 1          |
| 10         | Insulator Assembly, engine mount LH                  |                |                       | B132F0043J         | 1          |
| 10a        | Insulator Assembly, engine mount LH                  |                | Auto (NA & S/Charged) | A132F0115J         | 1          |
| 11         | Bolt, M12 x 30, hex. flg. hd., insulator to subframe |                |                       | A132W2016F         | 2          |
| 12         | Plate, bumper retaining, rear mount                  |                |                       | A132F0045F         | 1          |
| 13         | Insulator/Bracket Assembly, engine mount, RH         |                |                       | A132E6304S         | 1          |

EVORA

Function Code: 40.01a, Page: 1

Updated 1st October 2018

**Function Code 40.01a Engine Mounts**

| <u>Dep</u> | <u>Part Description</u>                         | <u>Remarks</u>    | <u>Option</u>          | <u>Part Number</u> | <u>Qty</u> |
|------------|---|-------------------|------------------------|--------------------|------------|
| 14         | Bolt, hex. flg. hd., bracket to transmission    |                   |                        | A120E6412S         | 2          |
| 15         | Bolt, hex. flg. hd., bracket to insulator front |                   |                        | A132E6361S         | 1          |
| 16         | Nut, special, bracket to insulator front        |                   |                        | A132E6372S         | 1          |
| 17         | Bracket, insulator to transmission, front       |                   |                        | C132F0030F         | 1          |
| 17a        | Bracket, insulator to transmission, front       |                   | Auto (NA & S/Charged)  | B132F0065F         | 1          |
| 18         | Bracket, insulator to transmission, rear        |                   |                        | A132E6305S         | 1          |
| 18a        | Bracket, insulator to transmission, rear        |                   | Auto (NA & S/Charged)  | A132F0064F         | 1          |
| 19         | Bracket, isolator to transmission LH            |                   |                        | A132E6306S         | 1          |
| 20         | Bolt, hex. flg. hd., bracket to insulator LH    |                   |                        | A132F6016H         | 1          |
| 21         | Nut, flg., bracket to insulator LH              |                   |                        | A132F6017H         | 1          |
| 22         | Bolt, hex. flg. hd., bracket to insulator rear  |                   |                        | A132E6359S         | 1          |
| 23         | Bolt, hex. flg. hd., bracket to transmission    |                   |                        | A120E6495S         | 3          |
| 24         | Bolt, hex. flg. hd., insulator to engine        |                   |                        | A132E6388S         | 2          |
| 25         | Nut, flg., insulator to engine                  | To engine stud    |                        | A132E6060H         | 1          |
| 26         | Nut, flg., insulator to engine                  | To insulator stud |                        | A120E6395S         | 1          |
| 27         | Stay, bracket assy to bracket engine mounting   |                   |                        | A132E6307S         | 1          |
| 28         | Bolt, hex. flg. hd w/washer., stay to insulator |                   |                        | A132E6366S         | 1          |
| 29         | Nut, M8, flg., stay to bracket engine mounting  |                   |                        | A132E6392S         | 2          |
| 30         | Bolt, hex. flg. hd., bracket to transmission    |                   |                        | A132F6014H         | 4          |
| 31         | Bracket, engine mounting                        |                   |                        | A132E6185S         | 1          |
| 31a        | Bracket Assembly, engine idler mounting         | Also see 4103     | S/Charged (man & auto) | B132E0056F         | 1          |



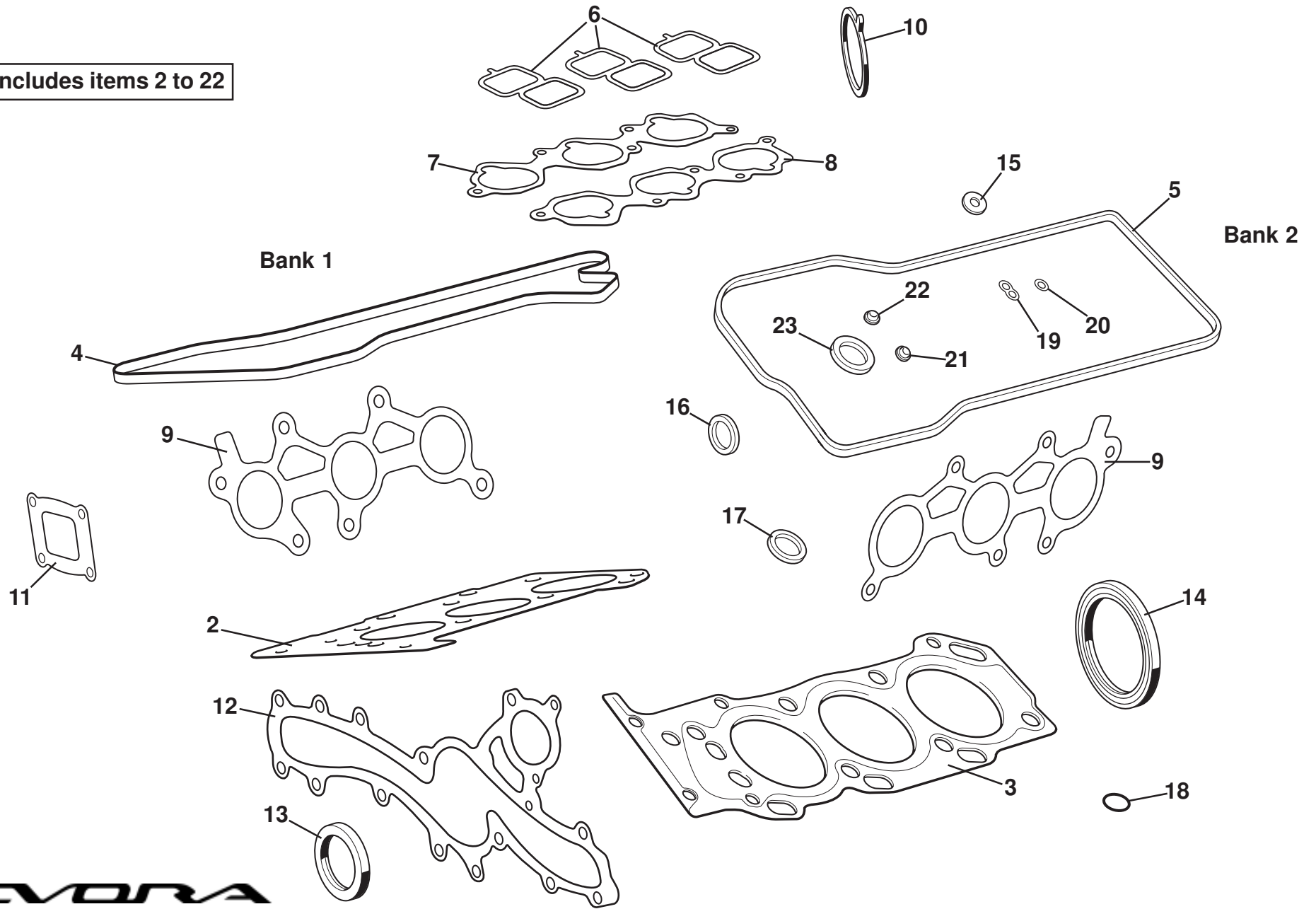
---

**Function Code 40.01a Engine Mounts**

| <u>Dep</u> | <u>Part Description</u>                         | <u>Remarks</u> | <u>Option</u> | <u>Part Number</u> | <u>Qty</u> |
|------------|---|----------------|---------------|--------------------|------------|
| 32         | Stay, bracket engine mounting to inlet manifold |                |               | A132E6186S         | 1          |
| 33         | Bolt, hex. flg. hd. bracket, engine mounting    |                |               | A132E6191S         | 1          |
| 34         | Bolt, hex. flg. hd.bracket, engine mounting     |                |               | A132E6190S         | 1          |
| 35         | Bolt, hex. flg. hd.bracket, engine mounting     |                |               | A132E6188S         | 3          |
| 36         | Bolt, hex. flg. hd.bracket, engine mounting     |                |               | A120E6394S         | 2          |
| 37         | Stud. engine stay                               |                |               | A132E6189S         | 2          |
| 38         | Stud, idler bracket                             |                |               | A132E6364S         | 1          |

---

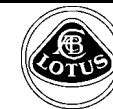
1 includes items 2 to 22



**EVORA**  
40.02

*Updated 1st September 2014*

# Service Parts List



## Function Code 40.02 Gaskets & Sealants, Top Overhaul Set

| <u>Dep</u> | <u>Part Description</u>                             | <u>Remarks</u>         | <u>Option</u> | <u>Part Number</u> | <u>Qty</u> |
|------------|---|------------------------|---------------|--------------------|------------|
| 01         | Gasket Set, top overhaul                            | Includes items 2 to 22 |               | A132E6100S         | 1          |
| 02         | Gasket, cylinder head, RH                           | Also see 40.05         |               | A132E6429S         | 1          |
| 03         | Gasket, cylinder head, LH                           | Also see 40.05         |               | A132E6430S         | 1          |
| 04         | Gasket, cam cover, RH                               | Also see 40.07         |               | A132E6126S         | 1          |
| 05         | Gasket, cam cover, LH                               | Also see 40.07         |               | A132E6134S         | 1          |
| 06         | Gasket, intake plenum to inlet manifold             | Also see 42.07         |               | A132E6453S         | 3          |
| 07         | Gasket, inlet manifold, LH                          | Also see 42.07         |               | A132E6276S         | 1          |
| 08         | Gasket, inlet manifold, RH                          | Also see 42.07         |               | A132E6275S         | 1          |
| 09         | Gasket, exhaust manifold                            | Also see 40.21         |               | A132E6318S         | 2          |
| 10         | Gasket, throttle body to intake plenum              | Also see 42.04, 42.07  |               | A132E6454S         | 1          |
| 11         | Gasket, plate to cover                              | Also see 40.08         |               | A132E6433S         | 1          |
| 12         | Gasket, water pump                                  | Also see 40.13         |               | A132E6452S         | 1          |
| 13         | Oil Seal, crankshaft front                          | Also see 40.11         |               | A132E6138S         | 1          |
| 14         | Oil Seal, crankshaft rear                           | Also see 40.11         |               | A132E6162S         | 1          |
| 15         | Washer, sealing, bolt no. 4, camshaft cover, centre | Also see 40.07         |               | A132E6129S         | 2          |
| 16         | Gasket, plug sealing                                | Also see 40.05         |               | A132E6108S         | 2          |
| 17         | Gasket, plug sealing                                | Also see 40.05         |               | A132E6107S         | 2          |
| 18         | 'O' Ring, guide tube to lower guide tube            | Also see 40.15         |               | A120E6281S         | 1          |

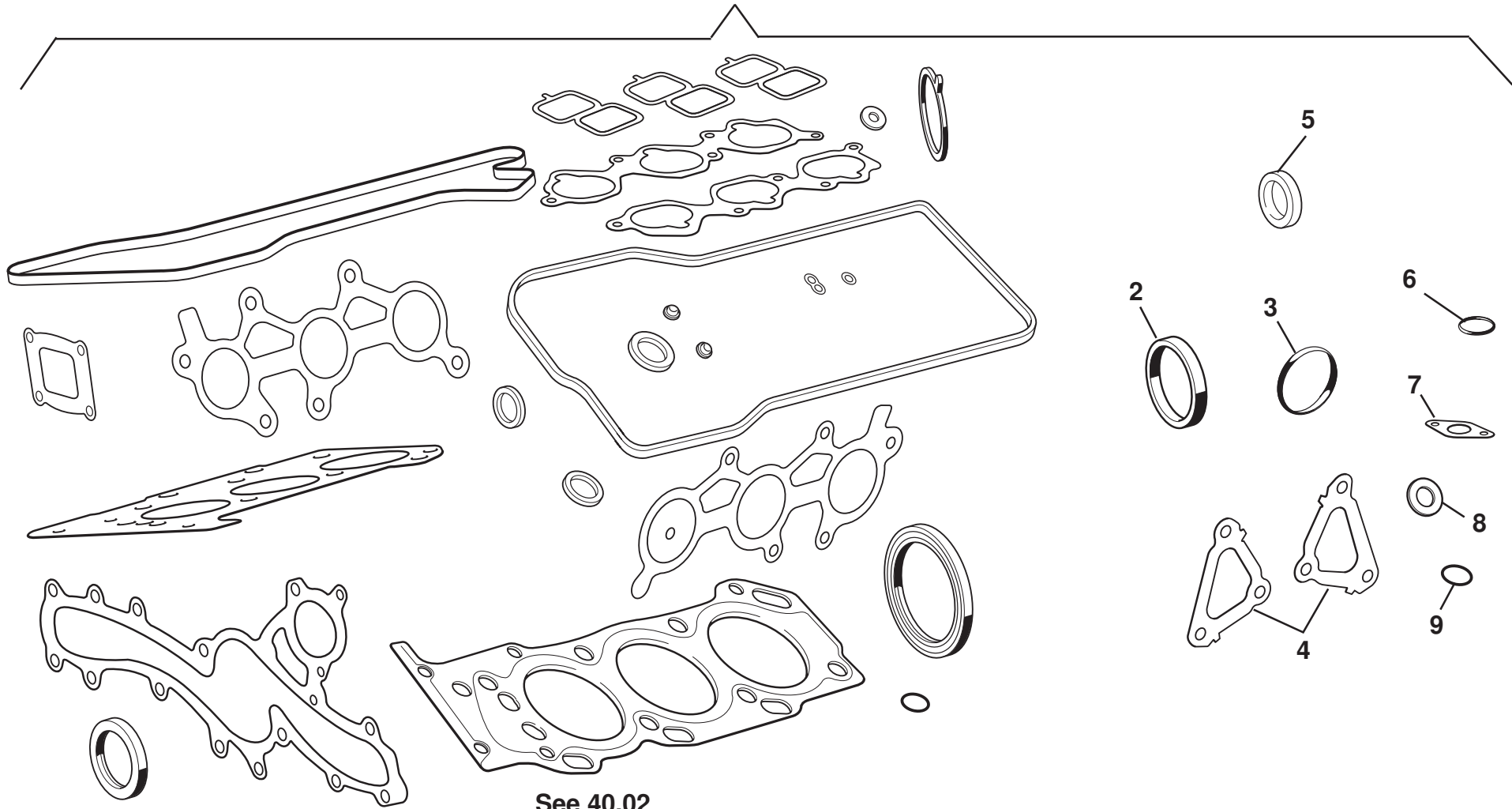


---

**Function Code 40.02 Gaskets & Sealants, Top Overhaul Set**

| <u>Dep</u> | <u>Part Description</u>            | <u>Remarks</u>                | <u>Option</u> | <u>Part Number</u> | <u>Qty</u> |
|------------|------------------------------------|-------------------------------|---------------|--------------------|------------|
| 19         | Gasket, camshaft bearing cap cover | Also see 40.05                |               | <b>A132E6124S</b>  | 2          |
| 20         | Gasket, camshaft bearing cap       | Also see 40.05                |               | <b>A132E6130S</b>  | 6          |
| 21         | Oil Seal, valve stem, exhaust      | Also see 40.05                |               | <b>A132E6229S</b>  | 12         |
| 22         | Oil Seal, valve stem, inlet        | Also see 40.05                |               | <b>A132E6228S</b>  | 12         |
| 23         | Gasket, spark plug tube            | Not P/O gasket set, see 40.05 |               | <b>A132E6431S</b>  | 6          |

1 Includes items shown, plus items 2 to 22 in section 40.02



See 40.02

**EVORA**  
40.02a

*Updated 3rd November 2014*



# Service Parts List

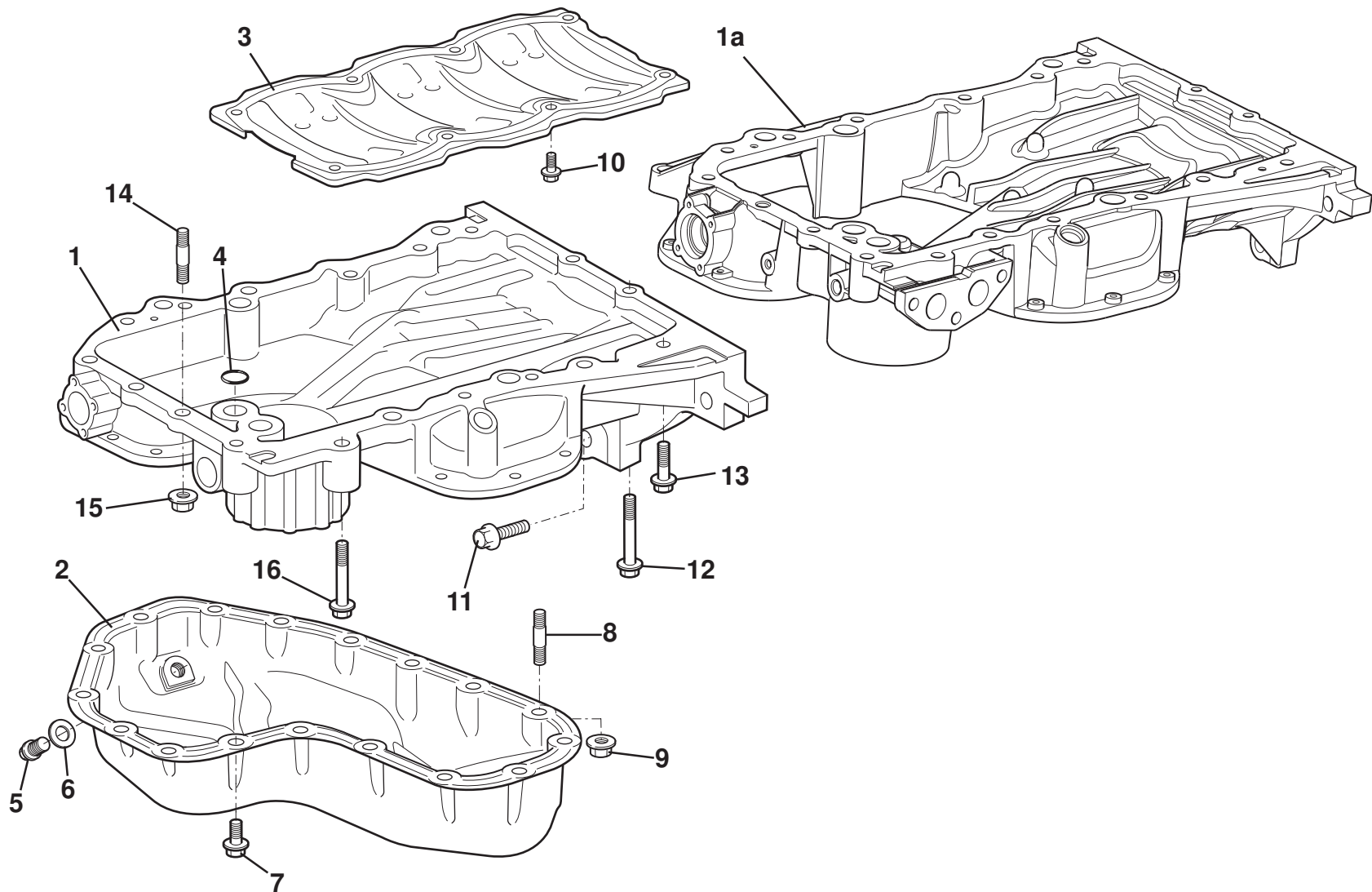


## Function Code 40.02a Gaskets & Sealants, Bottom Overhaul Set

| <u>Dep</u> | <u>Part Description</u>                        | <u>Remarks</u>         | <u>Option</u> | <u>Part Number</u> | <u>Qty</u> |
|------------|--|------------------------|---------------|--------------------|------------|
| 01         | Gasket Set, engine overhaul*                   | Includes items 2 to 11 |               | A132E6099S         | 1          |
| 02         | Gasket Ring, thermostat                        | Also see 40.13         |               | A132E6253S         | 1          |
| 03         | 'O' Ring, special, by-pass water inlet housing | Also see 46.01         |               | A132E6252S         | 1          |
| 04         | Gasket, water outlet                           | Also see 46.01         |               | A132E6259S         | 2          |
| 05         | Gasket, oil pump                               | Also see 40.15         |               | A132E6137S         | 1          |
| 06         | 'O' Ring, sump upper to block                  | Also see 40.03         |               | A132E6171S         | 2          |
| 07         | Gasket, oil pick-up pipe                       | Also see 40.01         |               | A132E6234S         | 1          |
| 08         | Gasket, sump plug                              | Also see 40.03         |               | A120E6461S         | 1          |
| 09         | 'O' Ring, lower guide tube to block            | Also see 40.15         |               | A132E6165S         | 1          |

\* Also items 2 to 22 in section  
40.02





**EVORA**

**40.03**

# Service Parts List



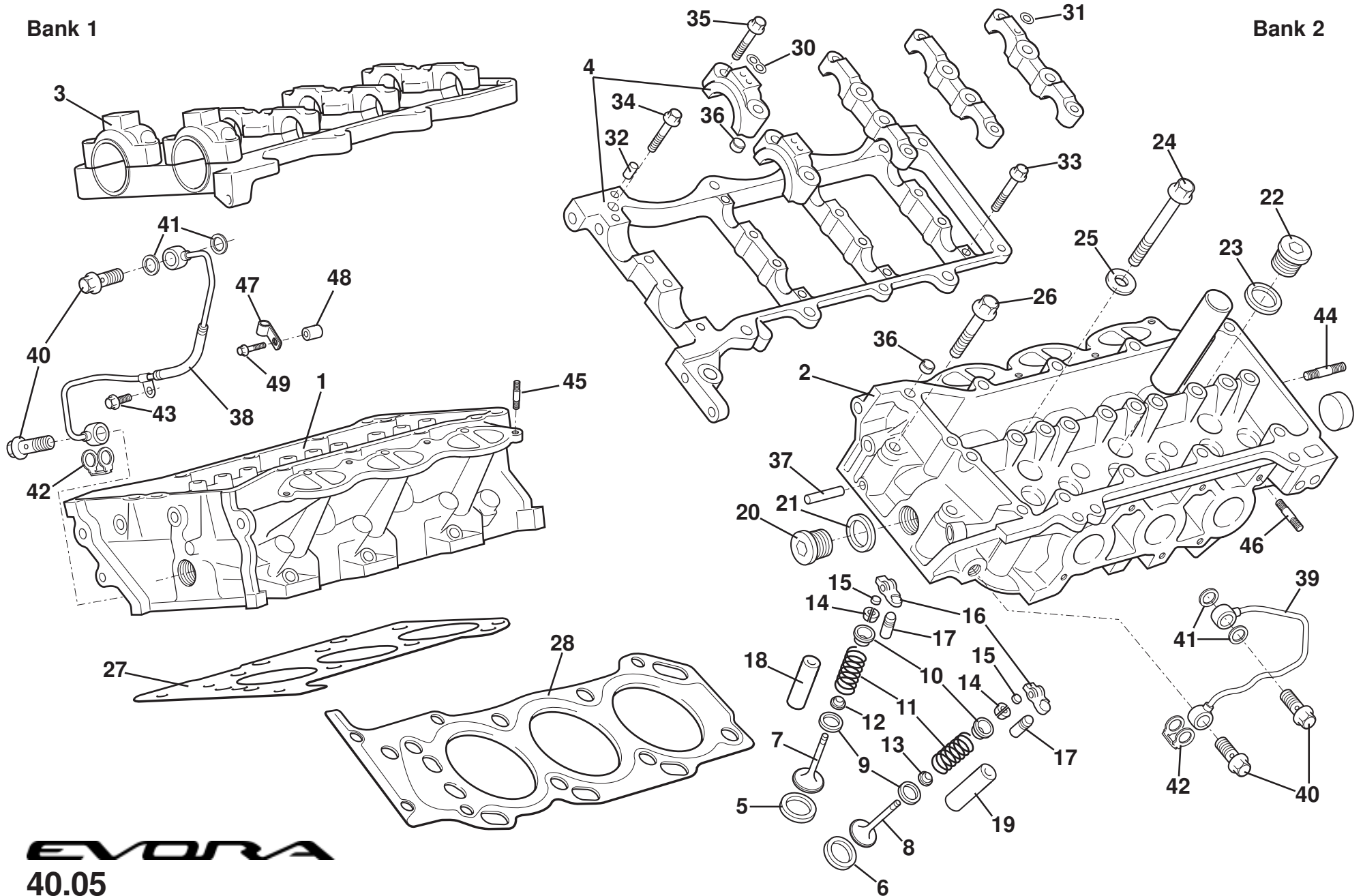
## Function Code 40.03 Sump Assembly

| <u>Dep</u> | <u>Part Description</u>             | <u>Remarks</u>     | <u>Option</u> | <u>Part Number</u> | <u>Qty</u> |
|------------|-------------------------------------|--------------------|---------------|--------------------|------------|
| 01         | Sump Assembly, upper                | Without oil cooler |               | A132E6168S         | 1          |
| 01a        | Sump Assembly, upper                | With oil cooler    |               | A132E6525S         | 1          |
| 02         | Sump Assembly, lower                |                    |               | A132E6169S         | 1          |
| 03         | Baffle, sump                        |                    |               | A132E6170S         | 1          |
| 04         | 'O' Ring, sump upper to block       |                    |               | A132E6171S         | 2          |
| 05         | Sump Plug                           |                    |               | A132E6175S         | 1          |
| 06         | Gasket, sump plug                   |                    |               | A120E6461S         | 1          |
| 07         | Bolt, flg. hd., lower to upper sump |                    |               | A132E6456S         | 16         |
| 08         | Stud, upper to lower sump           |                    |               | A132E6174S         | 2          |
| 09         | Nut, flange, lower to upper sump    |                    |               | A132E6458S         | 2          |
| 10         | Bolt/Washer, baffle retention       |                    |               | A132E6173S         | 8          |
| 11         | Bolt, flg. hd., upper sump          |                    |               | A132E6479S         | 2          |
| 12         | Bolt, flg. hd., upper sump          |                    |               | A132E6466S         | 2          |
| 13         | Bolt, flg. hd., upper sump          |                    |               | A132E6466S         | 2          |
| 14         | Stud, upper sump                    |                    |               | A132E6116S         | 2          |
| 15         | Nut, flange, upper sump             |                    |               | A132E6474S         | 2          |
| 16         | Bolt, flg. hd., upper sump          |                    |               | A132E6178S         | 2          |



Bank 1

Bank 2



**EVORA**  
40.05

*Updated 1st September 2014*

# Service Parts List

# EVORA



## Function Code 40.05 Cylinder Head , Valves, Springs

| <u>Dep</u> | <u>Part Description</u>            | <u>Remarks</u>           | <u>Option</u> | <u>Part Number</u> | <u>Qty</u> |
|------------|------------------------------------|--------------------------|---------------|--------------------|------------|
| 01         | Cylinder Head Assembly, RH         | Up to engine no. J949034 |               | A132E6101S         | 1          |
| 02         | Cylinder Head Assembly, LH         | Up to engine no. J949034 |               | A132E6110S         | 1          |
| 03         | Camshaft Housing, RH               | Includes bearing caps    |               | A132E6111S         | 1          |
| 04         | Camshaft Housing, LH               | Includes bearing caps    |               | A132E6114S         | 1          |
| 05         | Valve Seat, inlet ,standard        |                          |               | A132E6102S         | 12         |
| 05a        | Valve Seat, inlet, oversize 0.03   |                          |               | A132E6406S         | 12         |
| 06         | Valve Seat, exhaust                |                          |               | A132E6103S         | 12         |
| 06a        | Valve Seat, exhaust, oversize 0.03 |                          |               | A132E6407S         | 12         |
| 07         | Inlet Valve                        |                          |               | A132E6223S         | 12         |
| 08         | Exhaust Valve                      |                          |               | A132E6224S         | 12         |
| 09         | Seat, valve spring                 |                          |               | A132E6225S         | 24         |
| 10         | Retainer, valve spring             | Up to engine no. J949034 |               | A132E6226S         | 24         |
| 11         | Valve Spring                       | Up to engine no. J949034 |               | A132E6227S         | 24         |
| 12         | Oil Seal, valve stem, inlet        |                          |               | A132E6228S         | 12         |
| 13         | Oil Seal, valve stem, exhaust      |                          |               | A132E6229S         | 12         |
| 14         | Valve Collet                       |                          |               | A131E6212S         | 48         |
| 15         | Cap, valve stem                    |                          |               | A132E6231S         | 24         |
| 16         | Rocker Arm, valve actuating        | Up to engine no. J949034 |               | A132E6449S         | 24         |

EVORA

**Function Code 40.05 Cylinder Head , Valves, Springs**

| <u>Dep</u> | <u>Part Description</u>                              | <u>Remarks</u> | <u>Option</u> | <u>Part Number</u> | <u>Qty</u> |
|------------|--|----------------|---------------|--------------------|------------|
| 17         | Adjuster Assembly, valve clearance                   |                |               | A132E6232S         | 24         |
| 18         | Valve Guide, inlet, std size                         |                |               | A132E6402S         | 12         |
| 18a        | Valve Guide, exhaust, + 0.05mm                       |                |               | A132E6405S         | 12         |
| 19         | Valve Guide, exhaust, standard                       |                |               | A132E6404S         | 12         |
| 19a        | Valve Guide, inlet, O/S 0.05                         |                |               | A132E6403S         | 12         |
| 20         | Plug, straight screw plug, no.2, cyl.head front      |                |               | A132E6105S         | 2          |
| 21         | Gasket, straight screw plug no.2, cyl. head front    |                |               | A132E6108S         | 2          |
| 22         | Plug, straight screw plug, no.1, cyl. head upper     |                |               | A132E6104S         | 4          |
| 23         | Gasket, straight screw plug, no.1, cyl. head upper   |                |               | A132E6107S         | 4          |
| 24         | Bolt, hex. flg. hd., head to block                   |                |               | A132E6123S         | 16         |
| 25         | Washer, head to block                                |                |               | A132E6122S         | 16         |
| 26         | Bolt, hex. flg. hd., head to block, front LH bank    |                |               | A132E6121S         | 2          |
| 27         | Gasket, cylinder head, RH                            | Also see 40.02 |               | A132E6119S         | 1          |
| 28         | Gasket, cylinder head, LH                            | Also see 40.02 |               | A132E6120S         | 1          |
| 30         | Gasket, camshaft bearing cap oil hole                |                |               | A132E6124S         | 4          |
| 31         | 'O' Ring special, camshaft housing                   |                |               | A132E6130S         | 2          |
| 32         | Dowel Pin, no.1, camshaft housing                    |                |               | A120F6033S         | 3          |
| 33         | Bolt, hex. flg. hd., no. 1, camshaft housing to head |                |               | A132E6113S         | 18         |
| 34         | Bolt, hex. flg. hd., no. 2, camshaft housing to head |                |               | A132E6112S         | 7          |
| 35         | Bolt, hex. flg. hd., camshaft bearing cap to housing |                |               | A132E6457S         | 16         |
| 36         | Pin, ring w/head                                     |                |               | A132E6118S         | 4          |



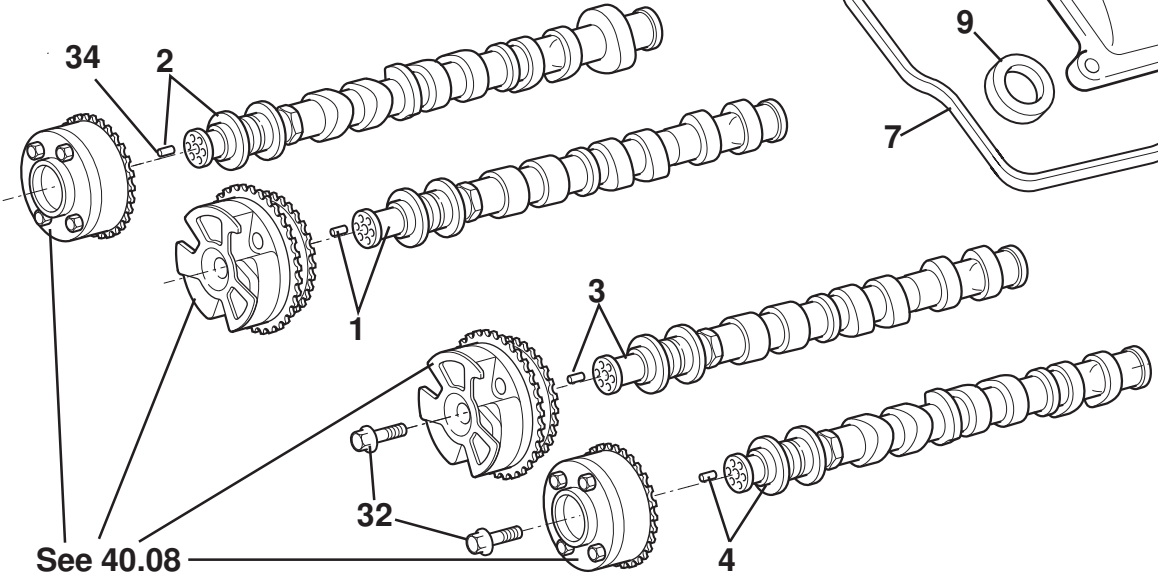
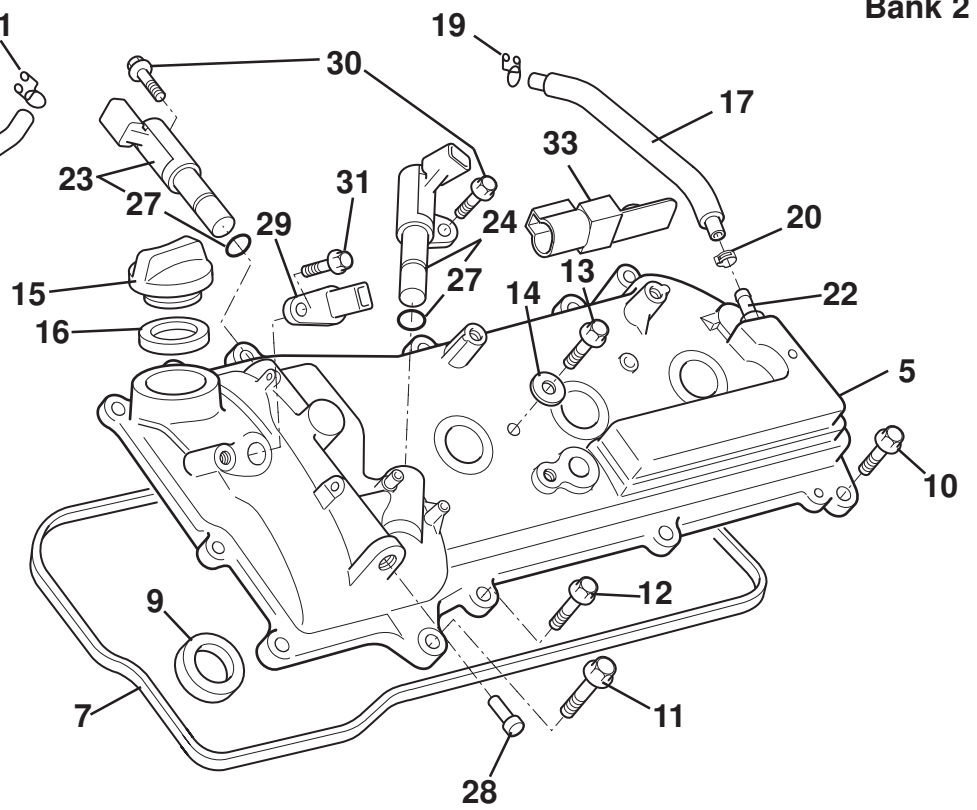
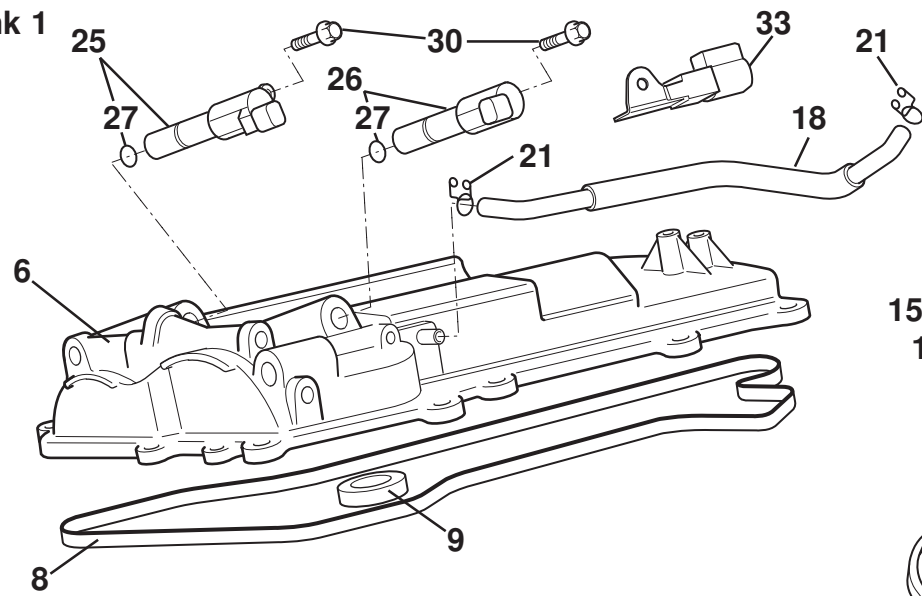
---

**Function Code 40.05 Cylinder Head , Valves, Springs**

| <u>Dep</u> | <u>Part Description</u>                    | <u>Remarks</u>   | <u>Option</u>                             | <u>Part Number</u> | <u>Qty</u> |
|------------|--|------------------|---|--------------------|------------|
| 37         | Dowel Pin, cylinder head                   |                  |   | <b>A132E6459S</b>  | 4          |
| 38         | Oil Pipe No. 2, oil control valve, RH      |                  | Naturally aspirated                       | <b>A132E6240S</b>  | 1          |
| 38a        | Oil Feed Pipe                              |                  | S/Charged (man & auto),<br>A132E0050F R/B | <b>A132E0102F</b>  | 1          |
| 39         | Oil Pipe No. 1, oil control valve, LH      |                  |   | <b>A132E6241S</b>  | 1          |
| 40         | Banjo Bolt, oil pipe                       |                  |   | <b>A132E6242S</b>  | 4          |
| 41         | Gasket, union bolt, oil pipe, upper        |                  |   | <b>A132E6243S</b>  | 4          |
| 42         | Gasket, union bolt, oil pipe, lower        |                  |   | <b>A132E6244S</b>  | 2          |
| 43         | Bolt, hex. flg.hd., oil pipe No. 2 to head | Through 'P' clip | Naturally aspirated                       | <b>A132E6471S</b>  | 1          |
| 44         | Stud, water outlet to head                 |                  |   | <b>A132E6115S</b>  | 4          |
| 45         | Stud, inlet manifold to head               | Also see 42.07   |   | <b>A132E6116S</b>  | 12         |
| 46         | Stud, exhaust manifold to head             | Also see 40.21   |   | <b>A132E6117S</b>  | 8          |
| 47         | 'P' Clip, oil feed pipe                    |                  | S/Charged (man & auto)                    | <b>A132E0134F</b>  | 1          |
| 48         | Pillar, oil feed pipe                      |                  | S/Charged (man & auto)                    | <b>A132E0135F</b>  | 1          |
| 49         | Screw M6 x 30 hex flg, oil feed pipe       |                  | S/Charged (man & auto)                    | <b>A124W5294F</b>  | 1          |

Bank 1

Bank 2



**EVORA**

40.07

*Updated 1st September 2014*



# Service Parts List

# EVORA



## Function Code 40.07 Camshafts, Tappets, Cam Cover

| <u>Dep</u> | <u>Part Description</u>                             | <u>Remarks</u>               | <u>Option</u> | <u>Part Number</u> | <u>Qty</u> |
|------------|---|------------------------------|---------------|--------------------|------------|
| 01         | Camshaft, no. 1, inlet, RH                          | Includes dowel pin           |               | A132E6200S         | 1          |
| 02         | Camshaft, no. 2, exhaust, RH                        | Includes dowel pin           |               | A132E6201S         | 1          |
| 03         | Camshaft, no. 3, inlet, LH                          | Includes dowel pin           |               | A132E6203S         | 1          |
| 04         | Camshaft, no. 4, exhaust, LH                        | Includes dowel pin           |               | A132E6204S         | 1          |
| 05         | Camshaft cover, LH                                  | With spark plug tube gaskets |               | A132E6133S         | 1          |
| 06         | Camshaft cover, RH                                  | With spark plug tube gaskets |               | A132E6125S         | 1          |
| 07         | Gasket, cam cover, LH                               | Also see 40.02               |               | A132E6134S         | 1          |
| 08         | Gasket, cam cover, RH                               | Also see 40.02               |               | A132E6126S         | 1          |
| 09         | Gasket, spark plug tube                             | Also see 40.02               |               | A132E6431S         | 6          |
| 10         | Bolt, hex. flg. hd., no. 1, camshaft cover          |                              |               | A132E6127S         | 17         |
| 11         | Bolt, hex. flg. hd.,no. 2, camshaft cover           |                              |               | A132E6128S         | 3          |
| 12         | Bolt, hex. flg. hd.,no. 3, camshaft cover           |                              |               | A132E6132S         | 2          |
| 13         | Bolt, hex. flg. hd.,no. 4, camshaft cover, centre   |                              |               | A132E6131S         | 2          |
| 14         | Washer, sealing, bolt no. 4, camshaft cover, centre |                              |               | A132E6129S         | 2          |
| 15         | Oil Filler Cap, with gasket                         |                              |               | A132E6476S         | 1          |
| 16         | Gasket, oil filler cap                              | P/O item 15                  |               | A132E6463S         | 1          |
| 17         | Hose, ventilation No. 1, LH bank to inlet tank      |                              |               | A132E6302S         | 1          |
| 18         | Hose, ventilation No. 2, RH bank to intake plenum   |                              |               | A132E0055F         | 1          |

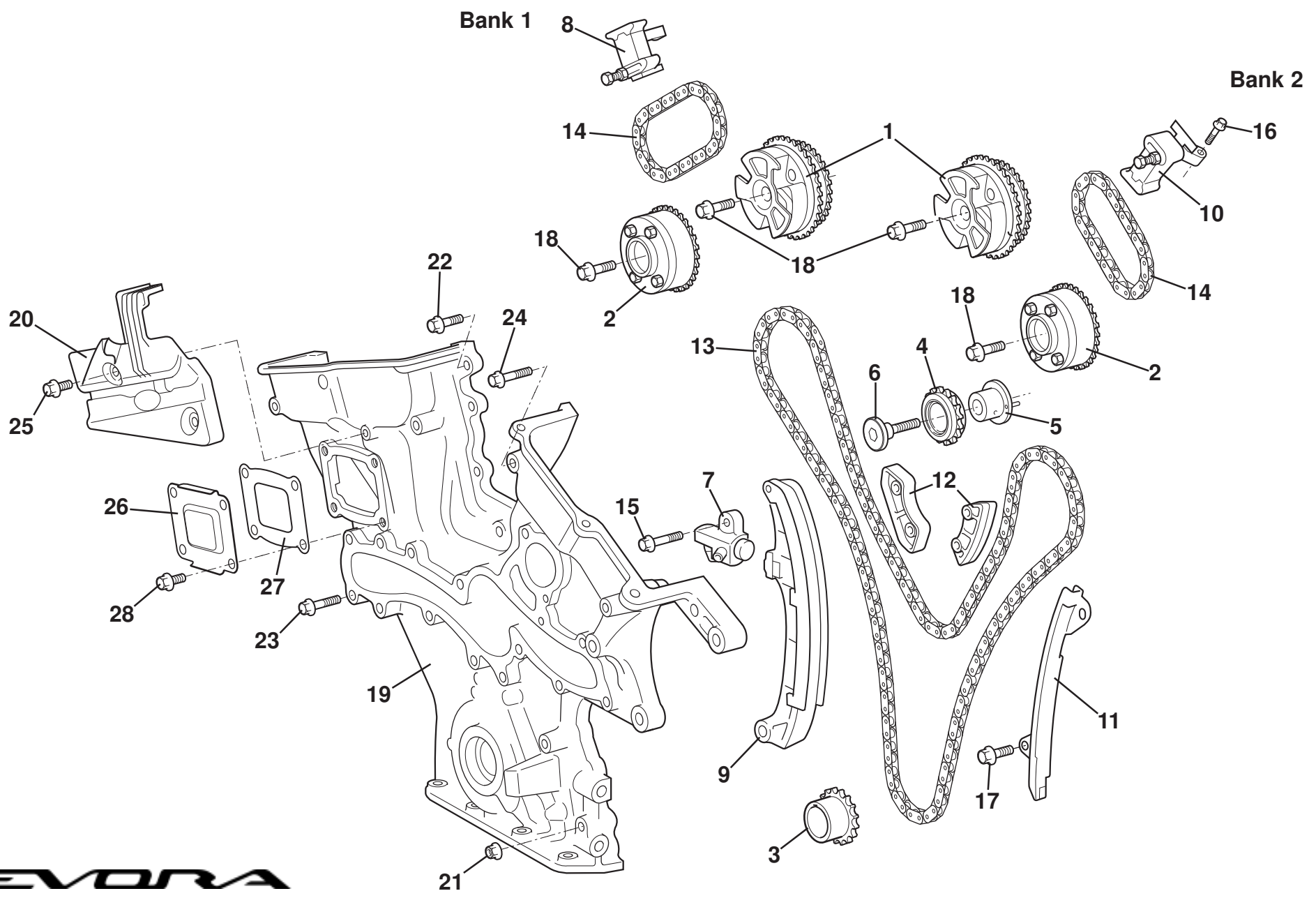
EVORA

Function Code: 40.07, Page: 1

Updated 1st August 2014

**Function Code 40.07 Camshafts, Tappets, Cam Cover**

| <u>Dep</u> | <u>Part Description</u>                             | <u>Remarks</u>    | <u>Option</u>          | <u>Part Number</u> | <u>Qty</u> |
|------------|---|-------------------|------------------------|--------------------|------------|
| 18a        | Hose, ventilation No. 2, RH bank to intake plenum   |                   | S/Charged (man & auto) | A132E0055F         | 1          |
| 19         | Hose Clip, ventilation hose No. 1, LH to airbox     |                   |                        | A132E6373S         | 1          |
| 20         | Hose Clip, ventilation hose                         |                   |                        | A120W6738F         | 2          |
| 21         | Hose Clip, ventilation hose No. 2, RH bank          | Wire type         |                        | A132E6374S         | 2          |
| 22         | Valve Assembly, ventillation, LH bank               |                   |                        | A132E6181S         | 1          |
| 23         | Valve Assy., cam timing control, LH bank 2, intake  | Includes 'O' ring |                        | A132E6235S         | 1          |
| 24         | Valve Assy., cam timing control, LH bank 2, exhaust | Includes 'O' ring |                        | A132E6239S         | 1          |
| 25         | Valve Assy., cam timing control, RH bank 1, exhaust | Includes 'O' ring |                        | A132E6235S         | 1          |
| 26         | Valve Assy., cam timing control, RH bank 1, intake  | Includes 'O' ring |                        | A132E6236S         | 1          |
| 27         | 'O' Ring, Valve Assy., cam timing control           |                   |                        | A132E6419S         | 4          |
| 28         | Filter, oil control valve                           |                   |                        | A132E6237S         | 2          |
| 29         | Sensor, camshaft position                           | Also see 17.06    |                        | A132E6283S         | 4          |
| 30         | Bolt, hex. flg. hd., valves to cam cover            |                   |                        | A132E6238S         | 4          |
| 31         | Bolt, hex. flg. hd., sensors to cam cover           |                   |                        | A132E6466S         | 4          |
| 32         | Bolt/Washer, hex. hd., camshaft gear                | Also see 40.08    |                        | A132E6211S         | 4          |
| 33         | Condenser   |                   |                        | A132E6376S         | 2          |
| 34         | Dowel Pin   |                   |                        | A132E6202S         | 4          |



**EVORA**  
40.08

*Updated 1st September 2014*

# Service Parts List



## Function Code 40.08 Camshaft Drive Chain & Sprockets

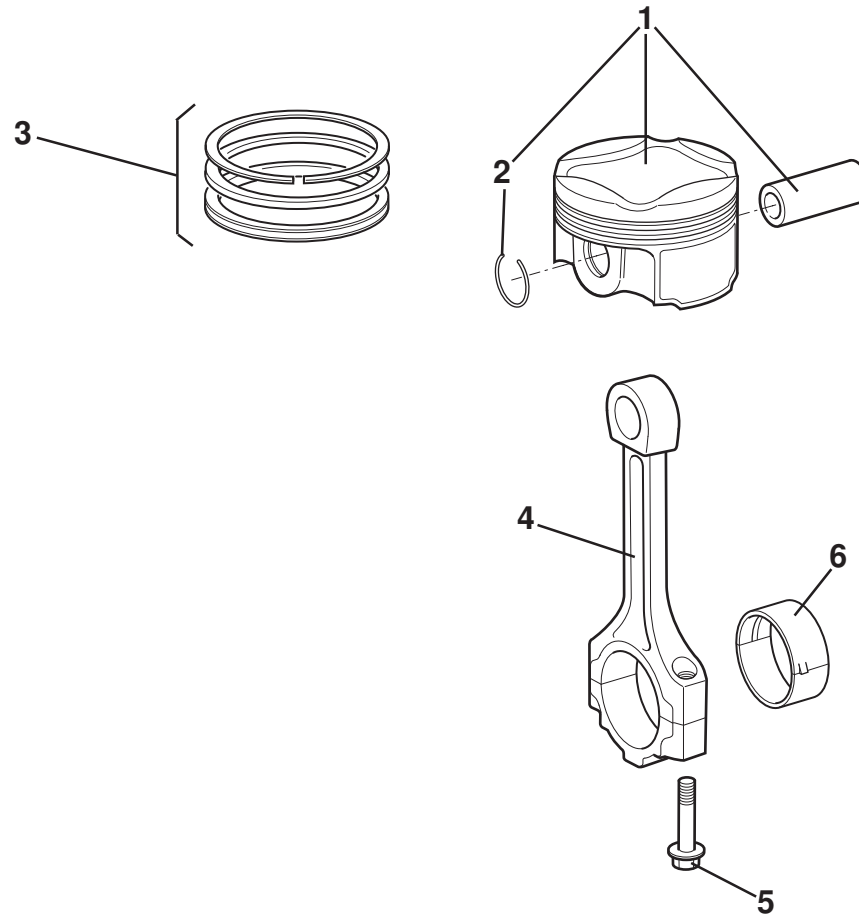
| <u>Dep</u> | <u>Part Description</u>                                 | <u>Remarks</u>     | <u>Option</u> | <u>Part Number</u> | <u>Qty</u> |
|------------|---|--------------------|---------------|--------------------|------------|
| 01         | Gear Assembly, camshaft timing inlet                    |                    |               | A132E6205S         | 2          |
| 02         | Gear Assembly, camshaft timing exhaust                  |                    |               | A132E6206S         | 2          |
| 03         | Sprocket, crankshaft                                    |                    |               | A132E6207S         | 1          |
| 04         | Idler Sprocket Assembly                                 |                    |               | A132E6208S         | 1          |
| 05         | Bush, idler sprocket                                    | Includes dowel pin |               | A132E6209S         | 1          |
| 06         | Bolt, skt. hd., idler sprocket retention                |                    |               | A132E6210S         | 1          |
| 07         | Tensioner Assembly, chain no. 1                         |                    |               | A132E6212S         | 1          |
| 08         | Tensioner Assembly, chain no. 2, RH                     |                    |               | A132E6213S         | 1          |
| 09         | Slipper, chain tensioner                                |                    |               | A132E6214S         | 1          |
| 10         | Tensioner Assembly, chain no. 2, LH                     |                    |               | A132E6215S         | 1          |
| 11         | Damper, chain vibration, lower                          |                    |               | A132E6216S         | 1          |
| 12         | Damper, chain vibration no. 2, upper                    |                    |               | A132E6217S         | 2          |
| 13         | Chain, camshaft drive, no. 1, main                      |                    |               | A132E6221S         | 1          |
| 14         | Chain, camshaft drive, no. 2, inlet to exhaust camshaft |                    |               | A132E6222S         | 2          |
| 15         | Bolt, hex. flg. hd., tensioner assembly, chain no. 1    |                    |               | A132E6218S         | 2          |
| 16         | Bolt, hex. flg. hd., tensioner assembly, chain no. 2    |                    |               | A132E6425S         | 2          |
| 17         | Bolt, hex. flg. hd., damper, chain vibration (lower)    |                    |               | A132E6220S         | 2          |
| 18         | Bolt/Washer, camshaft gear                              |                    |               | A132E6211S         | 4          |



---

**Function Code 40.08 Camshaft Drive Chain & Sprockets**

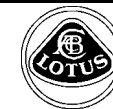
| <u>Dep</u> | <u>Part Description</u>                                     | <u>Remarks</u>           | <u>Option</u> | <u>Part Number</u> | <u>Qty</u> |
|------------|---|--------------------------|---------------|--------------------|------------|
| 19         | Cover Assembly, timing chain                                |                          |               | A132E6135S         | 1          |
| 20         | Cover Assembly, timing chain No.2, upper                    |                          |               | A132E6136S         | 1          |
| 21         | Nut, flange, no., cover assy., to block                     |                          |               | A132E6474S         | 1          |
| 22         | Bolt, hex. flg. hd., cover assy., to block                  |                          |               | A132E6140S         | 10         |
| 23         | Bolt, hex. flg. hd., cover assy., to block                  | Up to engine no. J949034 |               | A132E6141S         | 12         |
| 24         | Bolt, hex. flg. hd., cover assy., to block                  |                          |               | A132E6470S         | 1          |
| 25         | Bolt, hex. flg. hd., cover assy. no. 2, upper to main cover |                          |               | A132E6139S         | 2          |
| 26         | Plate, timing chain cover                                   |                          |               | A132E6432S         | 1          |
| 27         | Gasket, plate to cover                                      |                          |               | A132E6433S         | 1          |
| 28         | Bolt, hex. flg. hd., plate to main cover                    |                          |               | A132E6416S         | 4          |



**EVORA**  
40.09

2010/01

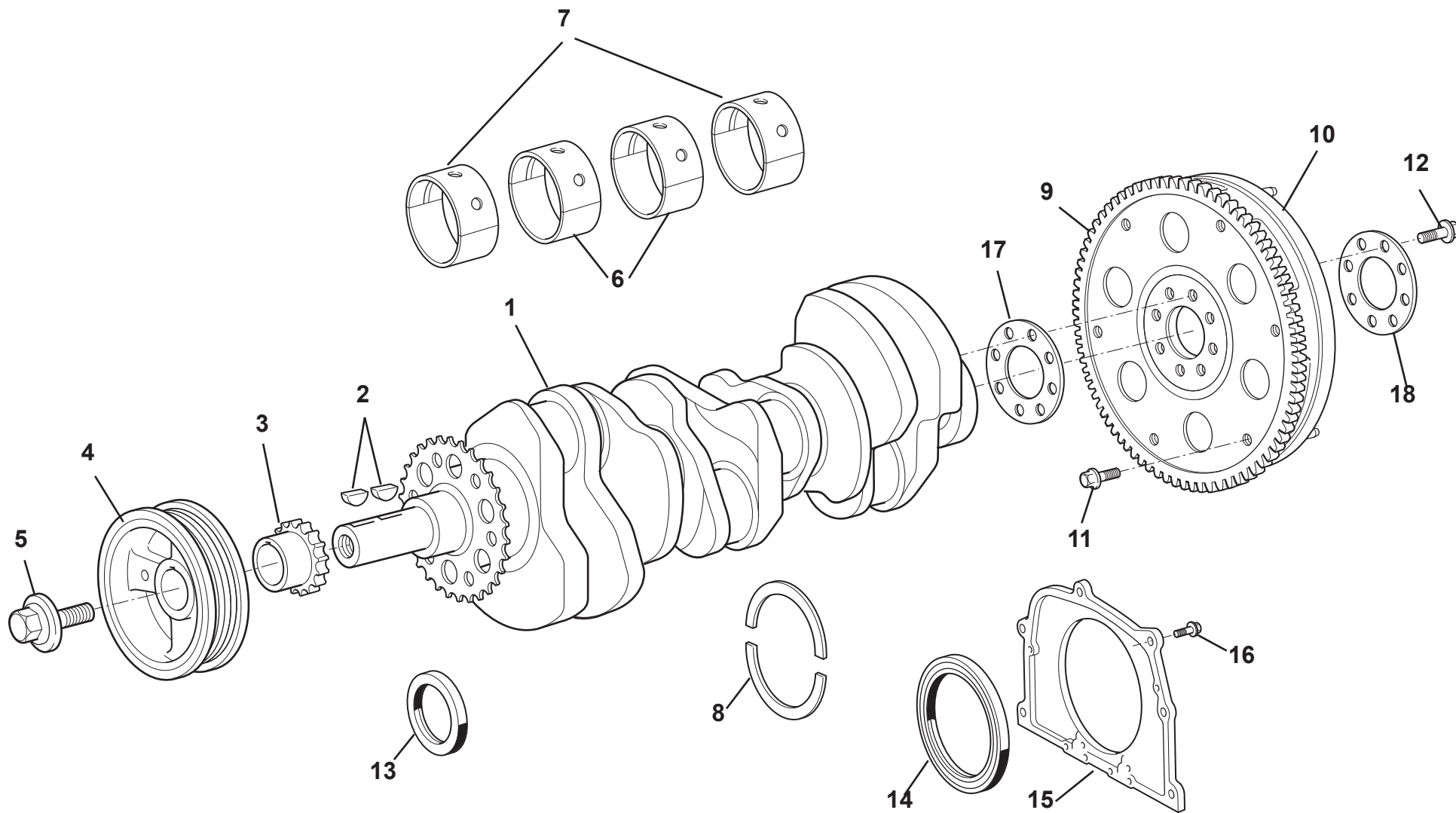
# Service Parts List



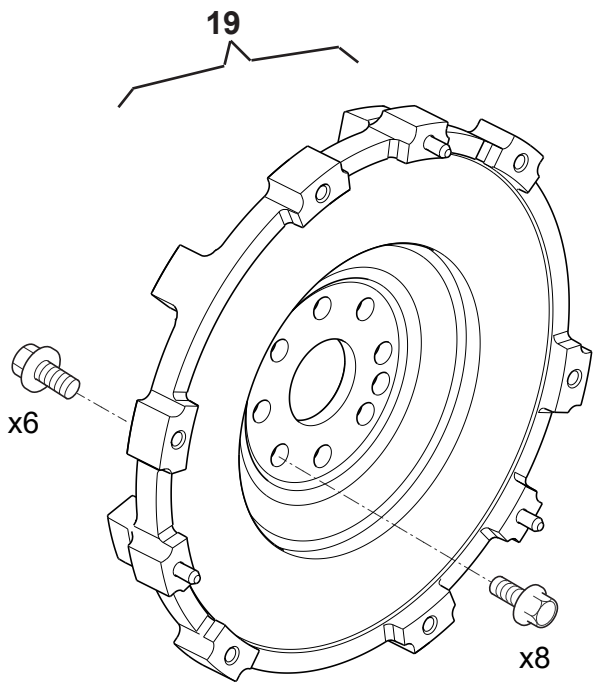
## Function Code 40.09 Pistons, Con-rods, Liners

| <u>Dep</u> | <u>Part Description</u>         | <u>Remarks</u>                 | <u>Option</u> | <u>Part Number</u> | <u>Qty</u> |
|------------|---------------------------------|--------------------------------|---------------|--------------------|------------|
| 01         | Piston Assembly                 | Includes gudgeon pin, circlips |               | A132E6400S         | 6          |
| 02         | Circlip, gudgeon pin retaining  |                                |               | A132E6192S         | 12         |
| 03         | Piston Ring Set                 | Engine set                     |               | A132E6193S         | 1          |
| 04         | Connecting Rod                  |                                |               | A132E6194S         | 6          |
| 05         | Bolt, hex. flg. hd., cap to rod |                                |               | A132E6195S         | 12         |
| 06         | Con-rod Bearing Set, (size 1)   |                                |               | A132E6440S         | 6          |
| 06a        | Con-rod Bearing Set, (size 2)   |                                |               | A132E6491S         | 6          |
| 06b        | Con-rod Bearing Set, (size 3)   |                                |               | A132E6492S         | 6          |
| 06c        | Con-rod Bearing Set, (size 4)   |                                |               | A132E6493S         | 6          |









# Service Parts List

# EVORA



## Function Code 40.11 Crankshaft, Bearings, Flywheel

| <u>Dep</u> | <u>Part Description</u>                         | <u>Remarks</u>                  | <u>Option</u> | <u>Part Number</u> | <u>Qty</u> |
|------------|---|---------------------------------|---------------|--------------------|------------|
| 01         | Crankshaft                                      | Includes, Woodruff keys, item 2 |               | A132E6196S         | 1          |
| 02         | Woodruff Key, crankshaft to pulley & sprocket   |                                 |               | A132E6197S         | 2          |
| 03         | Sprocket, timing chain drive                    |                                 |               | A132E6207S         | 1          |
| 04         | Pulley, auxiliary belt drive                    |                                 |               | A132E6198S         | 1          |
| 05         | Bolt, with washer, pulley to crankshaft         |                                 |               | A132E6199S         | 1          |
| 06         | Bearing Set, crankshaft No. 2 & No. 3, (size 1) |                                 |               | A132E6426S         | 2          |
| 06a        | Bearing Set, crankshaft No. 2 & No. 3, (size 2) |                                 |               | A132E6483S         | 2          |
| 06b        | Bearing Set, crankshaft No. 2 & No. 3, (size 3) |                                 |               | A132E6484S         | 2          |
| 06c        | Bearing Set, crankshaft No. 2 & No. 3, (size 4) |                                 |               | A132E6485S         | 2          |
| 06d        | Bearing Set, crankshaft No. 2 & No. 3, (size 5) |                                 |               | A132E6486S         | 2          |
| 07         | Bearing Set, crankshaft No. 1 & No. 4, (size 1) |                                 |               | A132E6435S         | 2          |
| 07a        | Bearing Set, crankshaft No. 1 & No. 4, (size 2) |                                 |               | A132E6487S         | 2          |
| 07b        | Bearing Set, crankshaft No. 1 & No. 4, (size 3) |                                 |               | A132E6488S         | 2          |
| 07c        | Bearing Set, crankshaft No. 1 & No. 4, (size 4) |                                 |               | A132E6489S         | 2          |
| 07d        | Bearing Set, crankshaft No. 1 & No. 4, (size 5) |                                 |               | A132E6490S         | 2          |
| 08         | Thrust Washer Set, crankshaft                   |                                 |               | A132E6160S         | 1          |
| 09         | Flex Plate, with starter gear ring              |                                 |               | A132E6289S         | 1          |
| 10         | Flywheel Assembly, manual                       |                                 |               | B132E0021F         | 1          |

EVORA

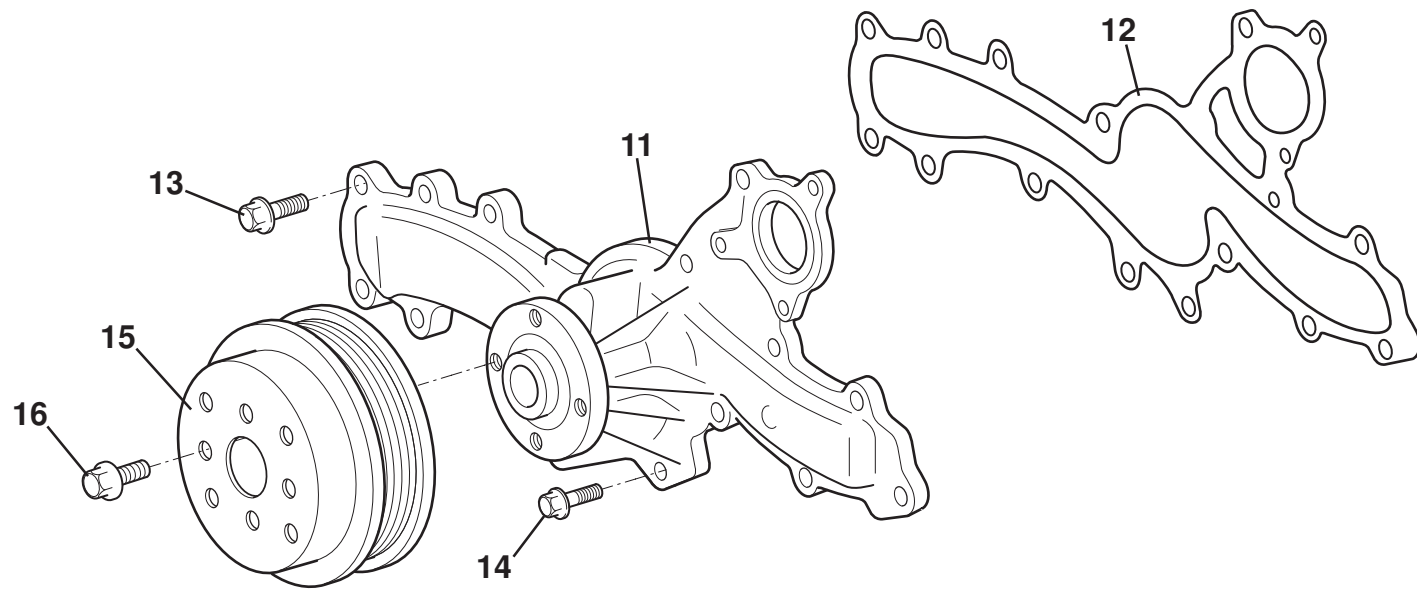
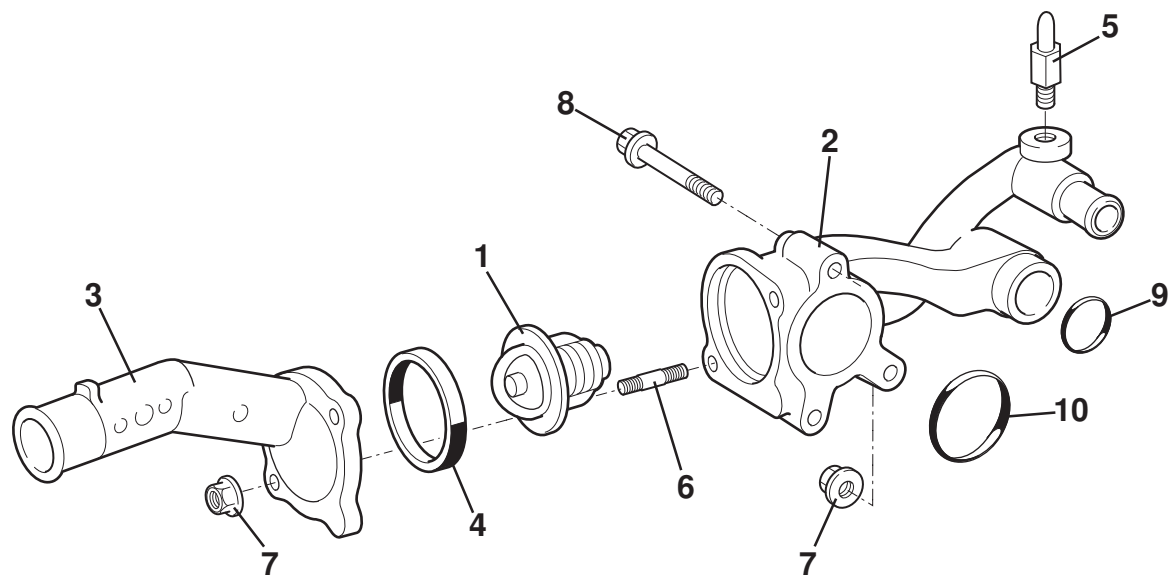
Function Code: 40.11, Page: 1

Updated 1st August 2014

---

**Function Code 40.11 Crankshaft, Bearings, Flywheel**

| <u>Dep</u> | <u>Part Description</u>                                  | <u>Remarks</u>           | <u>Option</u>          | <u>Part Number</u> | <u>Qty</u> |
|------------|--|--------------------------|------------------------|--------------------|------------|
| 10a        | Flywheel Assembly, manual                                |                          | S/Charged              | <b>A132E0081F</b>  | 1          |
| 11         | Bolt, hex. flg. hd., flex plate to flywheel              |                          |                        | <b>A132E6368S</b>  | 6          |
| 12         | Bolt, hex. flg. hd., flywheel & flex plate to crankshaft |                          |                        | <b>A132E6356S</b>  | 8          |
| 13         | Oil Seal, crankshaft front                               | Also see 40.02a          |                        | <b>A132E6138S</b>  | 1          |
| 14         | Oil Seal, crankshaft, rear                               | Also see 40.02a          |                        | <b>A132E6162S</b>  | 1          |
| 15         | Retainer Plate, oil seal, crankshaft, rear               |                          |                        | <b>A132E6161S</b>  | 1          |
| 16         | Bolt, retainer to block                                  |                          |                        | <b>A132E6466S</b>  | 6          |
| 17         | Spacer, drive plate front                                |                          |                        | <b>A132E6290S</b>  | 1          |
| 18         | Spacer, drive plate rear                                 |                          | IPS (auto) models only | <b>A132E6291S</b>  | 1          |
| 19         | Flywheel Kit see LPB 2020/09                             | See 47.01 for clutch kit | Normally Aspirated     | <b>A142E0004S</b>  | 1          |
| 19a        | Flywheel Kit see LPB 2020/09                             | See 47.01 for clutch kit | S/Charger              | <b>A142E0005S</b>  | 1          |



**EVORA**

**40.13**

**2010/01**

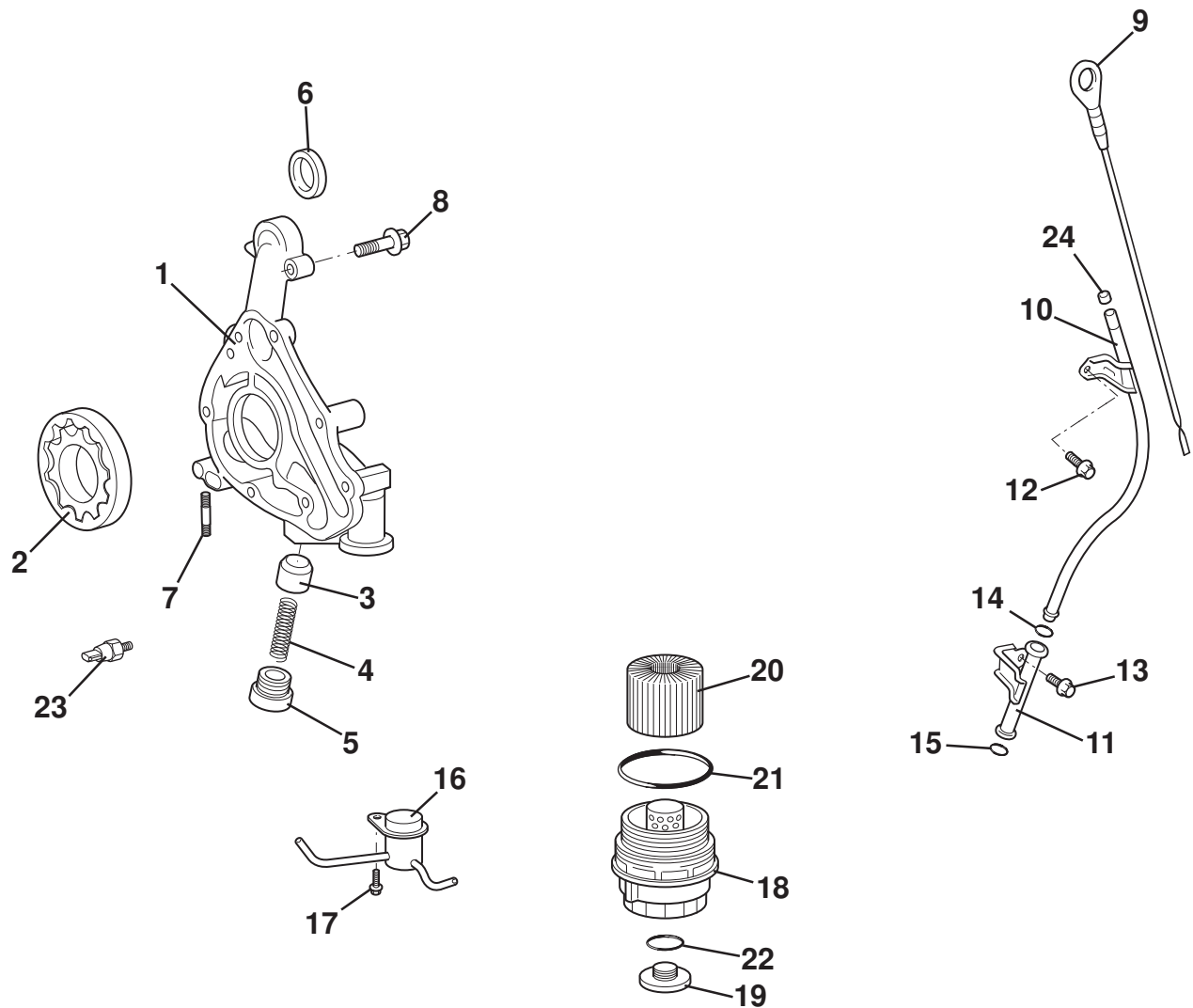
# Service Parts List



## Function Code 40.13 Water Pump Assembly, Thermostat

| <u>Dep</u> | <u>Part Description</u>                                 | <u>Remarks</u> | <u>Option</u> | <u>Part Number</u> | <u>Qty</u> |
|------------|---|----------------|---------------|--------------------|------------|
| 01         | Thermostat  |                |               | A132E6255S         | 1          |
| 02         | Thermostat Housing, water inlet                         |                |               | A120E6251S         | 1          |
| 03         | Water Inlet   |                |               | A132E6250S         | 1          |
| 04         | Gasket Ring, thermostat                                 |                |               | A132E6253S         | 1          |
| 05         | Drain Cock Assembly                                     |                |               | A132E6254S         | 1          |
| 06         | Stud, water inlet to thermostat housing                 |                |               | A132E6256S         | 2          |
| 07         | Nut, flange, water inlet & engine to thermostat housing |                |               | A132E6473S         | 3          |
| 08         | Bolt, flg. hd., thermostat housing to engine            |                |               | A132E6131S         | 2          |
| 09         | 'O' Ring, water inlet pipe to water inlet housing       |                |               | A132E6273S         | 1          |
| 10         | 'O' Ring special, by-pass water inlet housing           |                |               | A132E6252S         | 1          |
| 11         | Water Pump  |                |               | A132E6414S         | 1          |
| 12         | Gasket, water pump                                      |                |               | A132E6452S         | 1          |
| 13         | Bolt, flange hd., No. 1, water pump body                |                |               | A132E6415S         | 9          |
| 14         | Bolt, flange hd., No. 2, water pump body                |                |               | A132E6417S         | 6          |
| 15         | Pulley, water pump                                      |                |               | A132E6248S         | 1          |
| 16         | Bolt, hex. flg. hd., pulley to pump                     |                |               | A132E6249S         | 4          |





**EVORA**  
40.15

*Updated 2nd January 2014*

# Service Parts List

# EVORA



## Function Code 40.15 Lubrication System

| <u>Dep</u> | <u>Part Description</u>                  | <u>Remarks</u>                       | <u>Option</u> | <u>Part Number</u> | <u>Qty</u> |
|------------|--|--------------------------------------|---------------|--------------------|------------|
| 01         | Oil Pump Housing Assembly                | Incl. pressure relief valve, & studs |               | A132E6411S         | 1          |
| 02         | Oil Pump                                 |                                      |               | A132E6410S         | 1          |
| 03         | Cap, pressure relief valve               |                                      |               | A132E6412S         | 1          |
| 04         | Spring, pressure relief valve            |                                      |               | A120E6433S         | 1          |
| 05         | Plug, pressure relief valve              |                                      |               | A132E6413S         | 1          |
| 06         | Gasket, oil pump housing                 |                                      |               | A132E6137S         | 1          |
| 07         | Stud, oil pump housing                   |                                      |               | A132E6115S         | 2          |
| 08         | Bolt, housing to cover                   |                                      |               | A132E6417S         | 3          |
| 09         | Dipstick                                 |                                      |               | A132E6310S         | 1          |
| 10         | Dipstick Guide Tube                      | Includes 'O' Ring                    |               | A132E6301S         | 1          |
| 11         | Dipstick Guide Tube, lower               |                                      |               | A132E6164S         | 1          |
| 12         | Bolt, guide tube retention               |                                      |               | A132E6249S         | 1          |
| 13         | Bolt, lower guide tube retention         |                                      |               | A132E6472S         | 1          |
| 14         | 'O' ring, guide tube to lower guide tube |                                      |               | A120E6281S         | 1          |
| 15         | 'O' Ring, lower guide tube to block      |                                      |               | A132E6165S         | 1          |
| 16         | Nozzle, oil feed                         |                                      |               | A132E6246S         | 1          |
| 17         | Bolt, nozzle to block                    |                                      |               | A132E6247S         | 1          |
| 18         | Oil Filter Housing                       |                                      |               | A132E6450S         | 1          |

EVORA

Function Code: 40.15, Page: 1

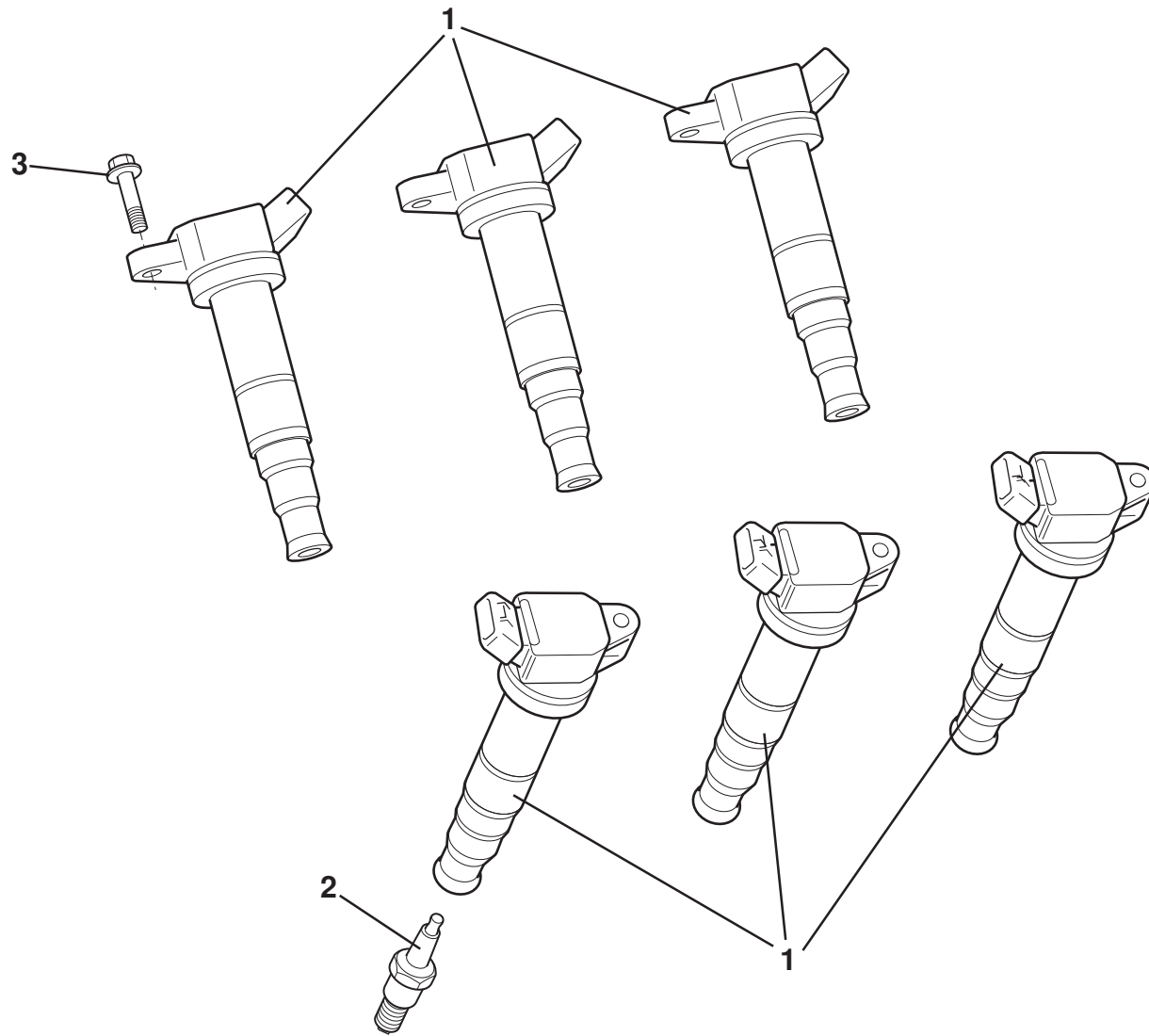
*Updated 2nd January 2014*

---

**Function Code 40.15 Lubrication System**

| <u>Dep</u> | <u>Part Description</u>   | <u>Remarks</u>  | <u>Option</u> | <u>Part Number</u> | <u>Qty</u> |
|------------|---------------------------|-----------------|---------------|--------------------|------------|
| 19         | Plug, oil filter housing  |                 |               | A132E6451S         | 1          |
| 20         | Oil Filter Kit            | Incl. 'O' rings |               | A132E6399S         | 1          |
| 21         | 'O' Ring, housing to sump | P/O filter kit  |               | A132E6461S         | 1          |
| 22         | 'O' Ring, plug to housing | P/O filter kit  |               | A132E6475S         | 1          |
| 23         | Switch, oil pressure      |                 |               | A132E6297S         | 1          |
| 24         | Spacer Dipstick           |                 |               | A132E0086F         | 1          |





**EVORA**  
40.17

2010/01

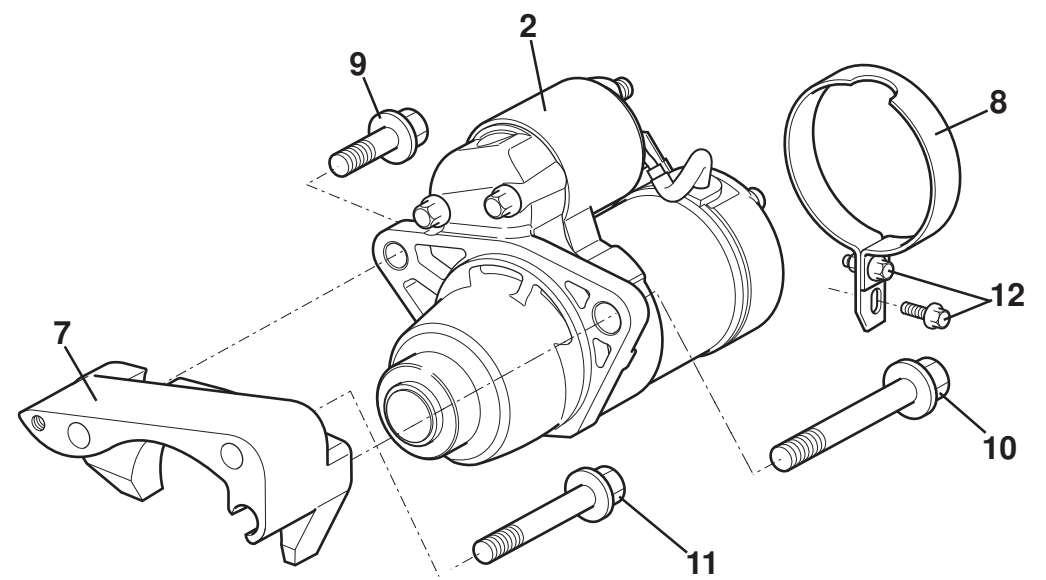
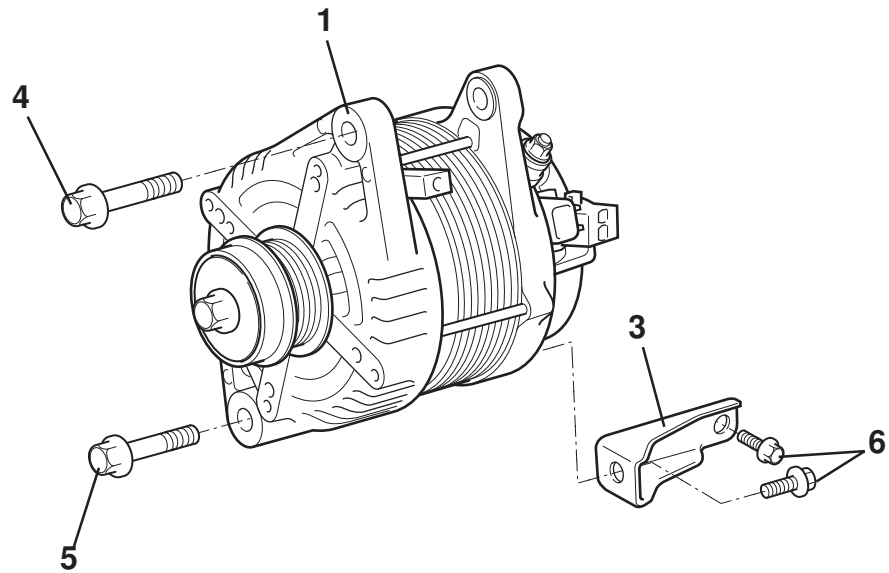
# Service Parts List



## Function Code 40.17 Ignition System, Spark plugs & Plug Top Coils

| <u>Dep</u> | <u>Part Description</u>                 | <u>Remarks</u> | <u>Option</u>          | <u>Part Number</u> | <u>Qty</u> |
|------------|---|----------------|------------------------|--------------------|------------|
| 01         | Ignition Coil                           |                |                        | A132E6422S         | 6          |
| 02         | Spark Plug                              |                |                        | A132E6281S         | 6          |
| 02a        | Spark Plug                              |                | S/Charged (man & auto) | A132E6503F         | 6          |
| 03         | Bolt, flg. hd., ignition coil retention |                |                        | A132E6280S         | 6          |





**EVORA**  
40.19

2010/01

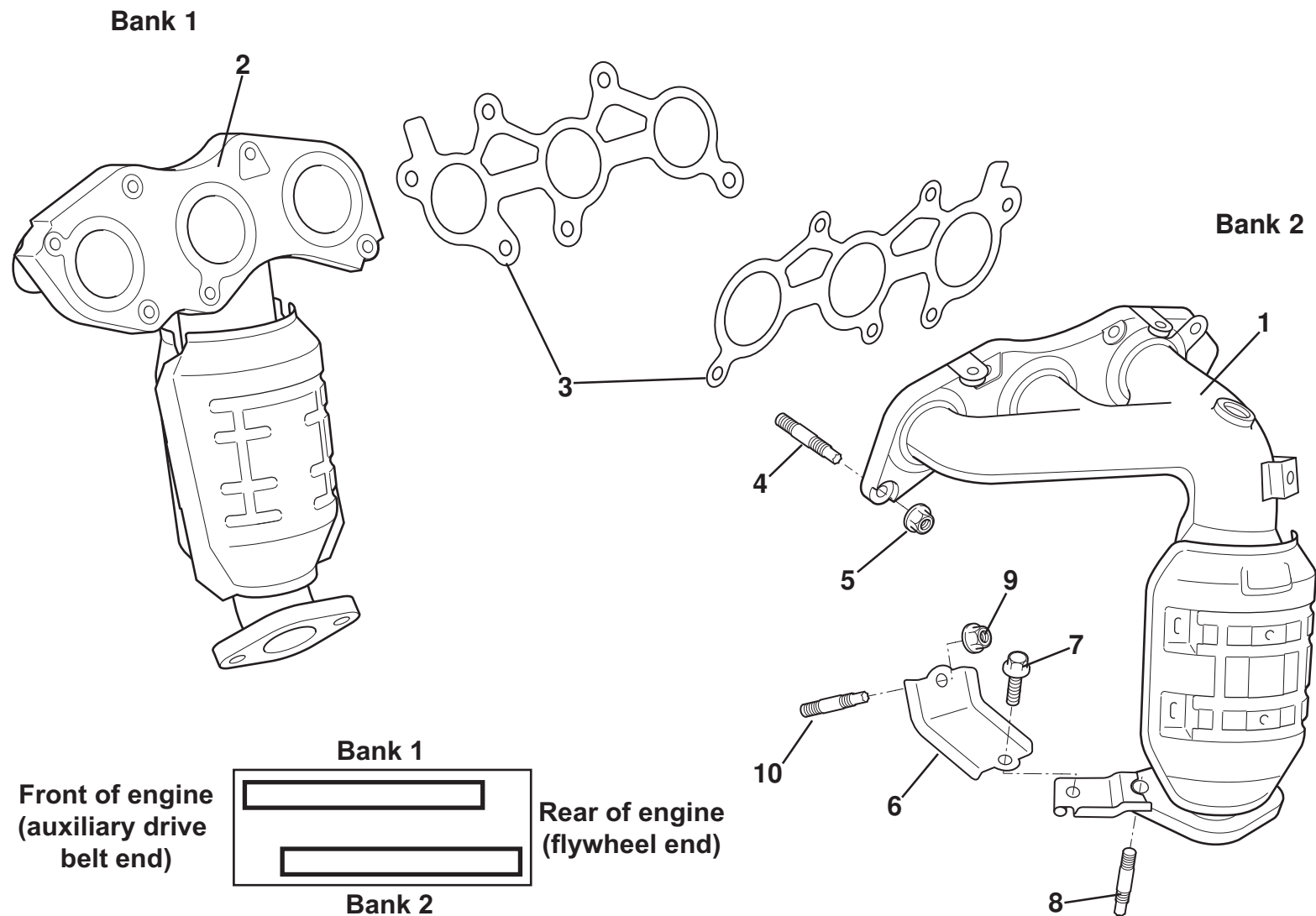
# Service Parts List



## Function Code 40.19 Alternator and Starter Motor

| <u>Dep</u> | <u>Part Description</u>                                      | <u>Remarks</u> | <u>Option</u>           | <u>Part Number</u> | <u>Qty</u> |
|------------|--|----------------|-------------------------|--------------------|------------|
| 01         | Alternator   |                | Manual (NA & S/Charged) | <b>A132E6333S</b>  | 1          |
| 01a        | Alternator   |                | Auto (NA & S/Charged)   | <b>A132E6023S</b>  | 1          |
| 02         | Starter motor  |                | Manual (NA & S/Charged) | <b>A132E0014K</b>  | 1          |
| 02a        | Starter motor  |                | Auto (NA & S/Charged)   | <b>A132F6272S</b>  | 1          |
| 03         | Bracket, alternator  |                | Manual (NA & S/Charged) | <b>A132E6309S</b>  | 1          |
| 03a        | Bracket, alternator  |                | Auto (NA & S/Charged)   | <b>A132E6024S</b>  | 1          |
| 04         | Bolt, hex. flg. hd., alternator, upper fixing                |                | Manual (NA & S/Charged) | <b>A132E6266S</b>  | 1          |
| 04a        | Bolt No.2, hex. flg. hd., alternator, upper fixing           |                | Auto (NA & S/Charged)   | <b>A132E6027S</b>  | 1          |
| 05         | Bolt, hex. flg. hd., alternator, lower fixing                |                | Manual (NA & S/Charged) | <b>A132E6470S</b>  | 1          |
| 05a        | Bolt, hex No1. flg. hd., alternator, lower fixing            |                | Auto (NA & S/Charged)   | <b>A132E6026S</b>  | 1          |
| 06         | Bolt, hex. flg. hd., alternator bracket                      |                |                         | <b>A132E6025H</b>  | 2          |
| 07         | Adaptor, starter motor                                       |                |                         | <b>A132F0013F</b>  | 1          |
| 08         | Bracket/Strap, starter motor                                 |                |                         | <b>B132F0022F</b>  | 1          |
| 09         | Bolt, M10 x 35, hex. flg. hd., starter to adaptor            |                | Manual (NA & S/Charged) | <b>A132E6421S</b>  | 1          |
| 09a        | Bolt, starter  |                | Auto (NA & S/Charged)   | <b>A132F6274S</b>  | 1          |
| 10         | Bolt, M12 x 90, hex. flg. hd., starter to main adaptor plate |                |                         | <b>A132E6360S</b>  | 1          |
| 11         | Bolt, M10 x 65, hex. flg. hd., adaptor to main adaptor plate |                |                         | <b>A132F6022H</b>  | 2          |
| 12         | Screw, M8 x 16, hex. flg. hd., brkt. fixing + strap pinching |                |                         | <b>A117W2202F</b>  | 2          |





**EVORA**  
40.21

*Updated 1st April 2015*

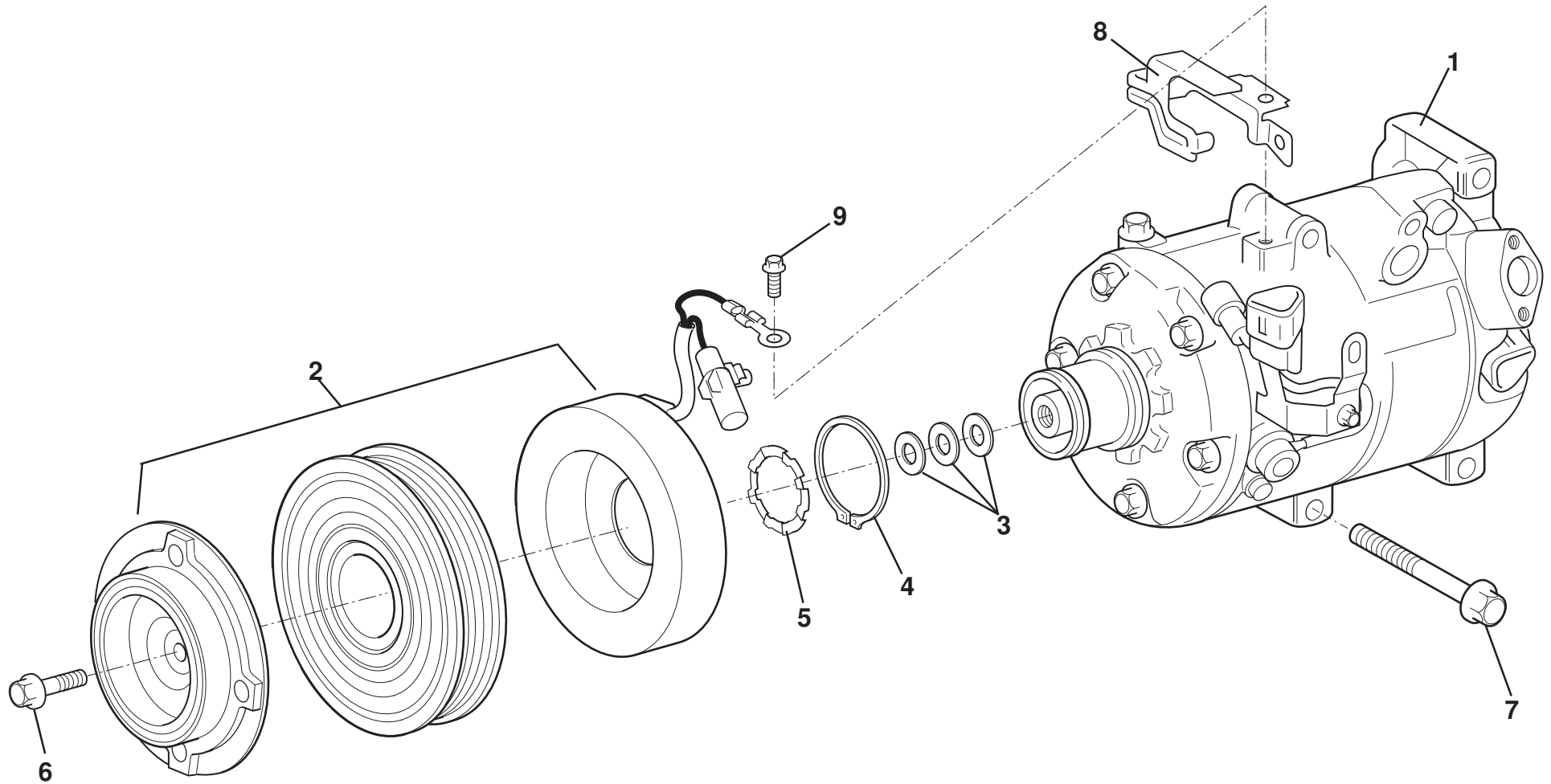
# Service Parts List

# EVORA



## Function Code 40.21 Exhaust Manifold

| <u>Dep</u> | <u>Part Description</u>                  | <u>Remarks</u>               | <u>Option</u> | <u>Part Number</u> | <u>Qty</u> |
|------------|--|------------------------------|---------------|--------------------|------------|
| 01         | Exhaust Manifold, LH                     |                              |               | A132E6315S         | 1          |
| 02         | Exhaust Manifold, RH                     | Includes primary heat shield |               | A132E6316S         | 1          |
| 03         | Gasket, exhaust manifold to head         |                              |               | A132E6318S         | 2          |
| 04         | Stud, exhaust manifold to head           |                              |               | A132E6117S         | 12         |
| 05         | Nut, flange exhaust manifold to head     |                              |               | A132E6394S         | 12         |
| 06         | Stay, exhaust manifold no. 1             |                              |               | A132E6313S         | 1          |
| 07         | Bolt, hex. flg. hd., stay to manifold LH |                              |               | A132E6047H         | 1          |
| 08         | Stud, LH manifold to downpipe            | See see section 45.01        |               | A132E6153S         | 2          |
| 09         | Nut, flange, stay fixing                 |                              |               | A132E6048H         | 1          |
| 10         | Stud, stay fixing                        |                              |               | A132E6153S         | 1          |



**EVORA**  
40.23

*Updated 11th September 2010*

# Service Parts List

# EVORA

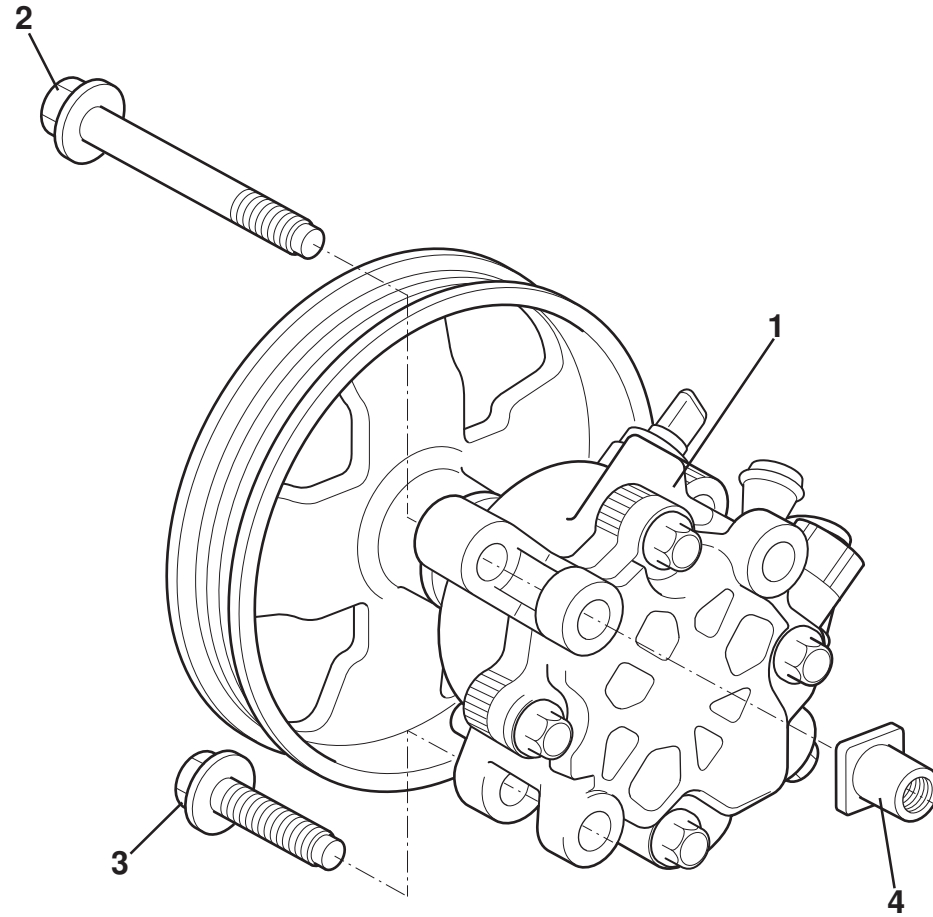


## Function Code 40.23 AC Compressor

| <u>Dep</u> | <u>Part Description</u>                    | <u>Remarks</u>                       | <u>Option</u> | <u>Part Number</u> | <u>Qty</u> |
|------------|--|--------------------------------------|---------------|--------------------|------------|
| 01         | AC Compressor                              | Not including clutch/pulley assembly |               | A132E6349S         | 1          |
| 02         | Clutch Assembly, AC compressor             |                                      |               | A132E6351S         | 1          |
| 03         | Shim Kit, magnetic clutch                  |                                      |               | A120E6493S         | 1          |
| 04         | Circlip, clutch                            |                                      |               | A132E6354S         | 1          |
| 05         | Shaped Circlip, clutch                     |                                      |               | A132E6353S         | 1          |
| 06         | Bolt, hex. flg. hd., AC compressor clutch  |                                      |               | A120E6484S         | 1          |
| 07         | Bolt, hex. flg. hd., compressor mounting   |                                      |               | A132E6367S         | 4          |
| 08         | Bracket, harness retention                 |                                      |               | A132E6352S         | 1          |
| 09         | Bolt, hex. flg. hd., bracket to compressor |                                      |               | A132E6467S         | 1          |

EVORA





**EVORA**  
40.25

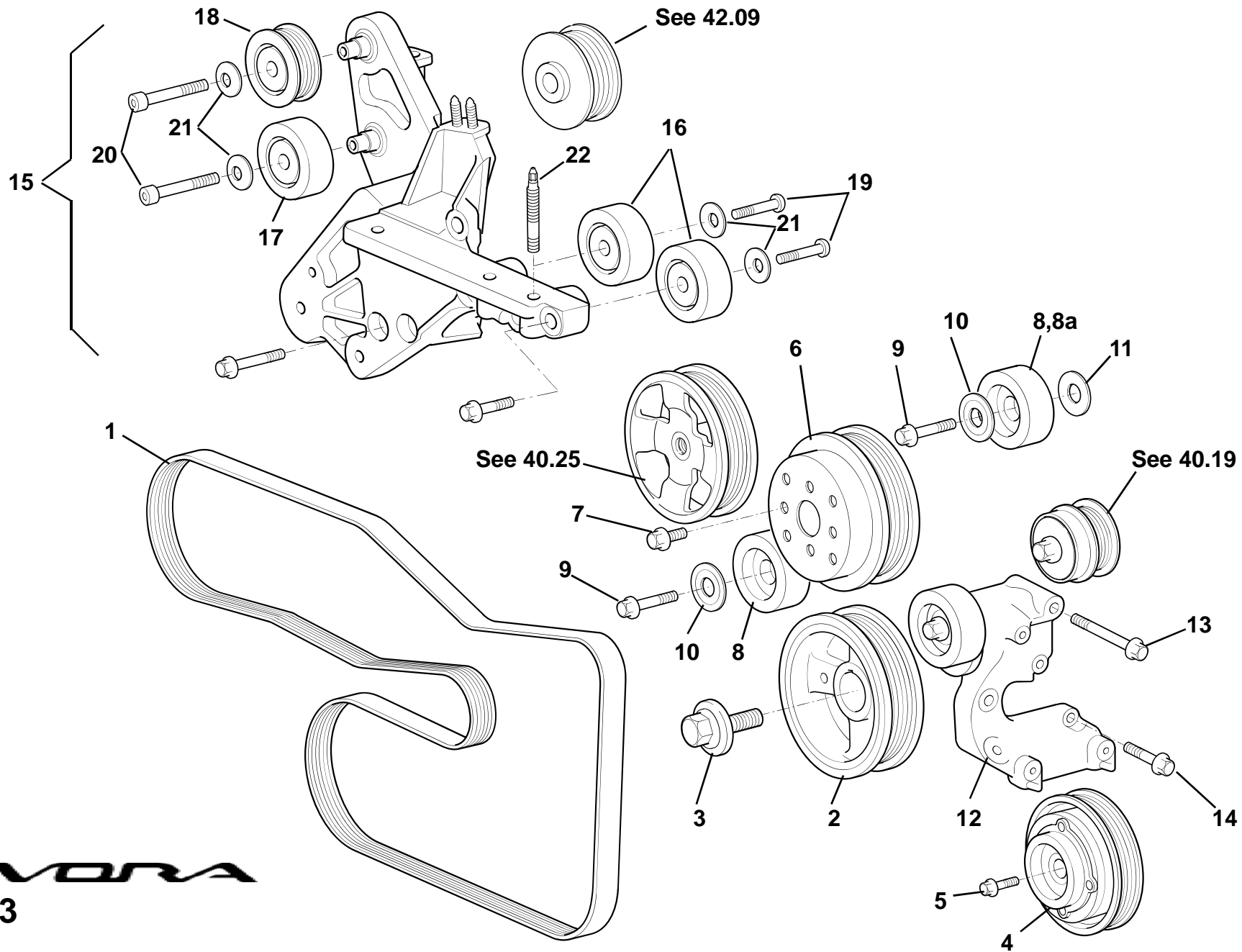
2010/01

# Service Parts List



## Function Code 40.25 Power Steering Pump, Pulley, Mounts & Fixings

| <u>Dep</u> | <u>Part Description</u>                       | <u>Remarks</u> | <u>Option</u> | <u>Part Number</u> | <u>Qty</u> |
|------------|---|----------------|---------------|--------------------|------------|
| 01         | Pump, power assisted steering (PAS)           |                |               | A132E6335S         | 1          |
| 02         | Bolt, hex. hd. with washer, pump upper fixing |                |               | A132E6369S         | 1          |
| 03         | Bolt, hex. flg. hd., pump lower fixing        |                |               | A132E6378S         | 1          |
| 04         | Tee Nut, threaded insert, pump upper fixing   |                |               | A132E6145S         | 1          |



**EVORA**  
41.03

*Updated 1st July 2019*

# Service Parts List



## Function Code 41.03 Auxiliary Drive Belts & Pulleys

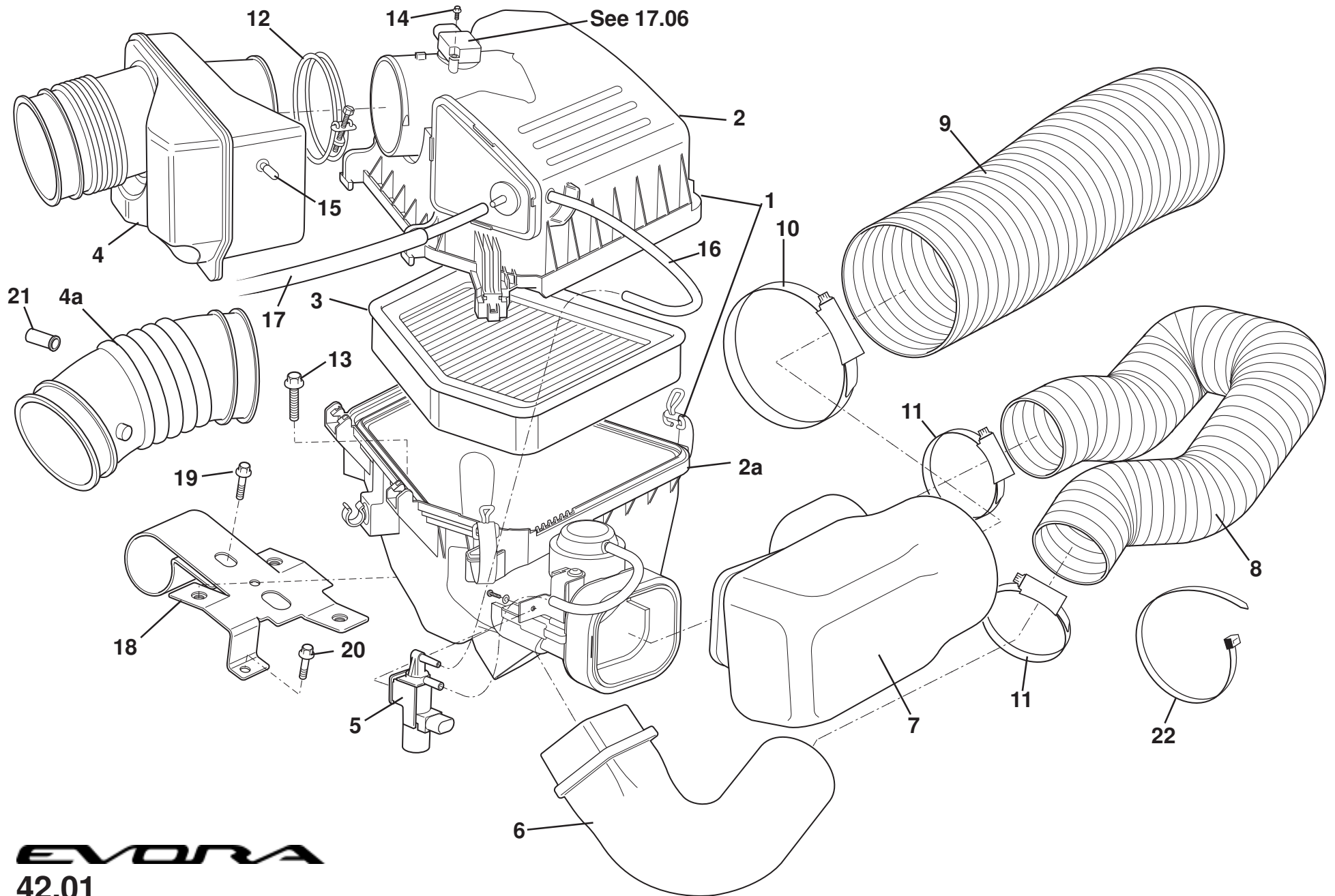
| <u>Dep</u> | <u>Part Description</u>                                    | <u>Remarks</u>                    | <u>Option</u>          | <u>Part Number</u> | <u>Qty</u> |
|------------|--|-----------------------------------|------------------------|--------------------|------------|
| 01         | Drive Belt, AC, PAS, water pump, + alternator              |                                   |                        | A132E6397S         | 1          |
| 01a        | Drive Belt, AC, PAS, water pump, alternator + supercharger |                                   | S/Charged (man & auto) | A132E6500H         | 1          |
| 02         | Pulley, crankshaft   | Also see 40.11                    |                        | A132E6198S         | 1          |
| 03         | Bolt, hex. flg. hd., crankshaft pulley                     | Also see 40.11                    |                        | A132E6199S         | 1          |
| 04         | Pulley/Clutch Assy, AC pump                                | Also see 40.23                    |                        | A132E6351S         | 1          |
| 05         | Bolt, hex. flg. hd., Pulley to pump                        | Also see 40.23                    |                        | A120E6484S         | 1          |
| 06         | Pulley, water pump   | Also see 40.13                    |                        | A132E6248S         | 1          |
| 07         | Bolt, hex. flg. hd., pulley to pump                        | Also see 40.13                    |                        | A132E6249S         | 4          |
| 08         | Pulley, idler  | Toyota mark PU107013ARMXY3        |                        | A132E6261S         | 2          |
| 08a        | Pulley, idler  | Toyota mark PU107016RMXY          |                        | A132E6572S         | 1          |
| 09         | Bolt, hex. flg. hd., idler pulley retention                |                                   |                        | A132E6421S         | 2          |
| 10         | Plate, idler pulley cover, front                           | Only replace if originally fitted |                        | A132E6264S         | 2          |
| 11         | Plate, idler pulley cover, rear                            | Only replace if originally fitted |                        | A132E6262S         | 2          |
| 12         | Drive Belt Tensioner Assembly                              |                                   |                        | A132E6263S         | 1          |
| 13         | Bolt, hex. flg. hd., tensioner upper fixing                |                                   |                        | A132E6266S         | 1          |
| 14         | Bolt, hex. flg. hd., tensioner lower fixings               |                                   |                        | A132E6421S         | 4          |
| 15         | Bracket Assembly, engine idler mounting                    |                                   | S/Charged (man & auto) | B132E0056F         | 1          |
| 16         | Pulley, idler 50mm   |                                   | S/Charged (man & auto) | A132E6513S         | 2          |



---

**Function Code 41.03 Auxiliary Drive Belts & Pulleys**

| <u>Dep</u> | <u>Part Description</u>       | <u>Remarks</u> | <u>Option</u>          | <u>Part Number</u> | <u>Qty</u> |
|------------|-------------------------------|----------------|------------------------|--------------------|------------|
| 17         | Pulley, idler 60mm            |                | S/Charged (man & auto) | <b>A132E6514S</b>  | 1          |
| 18         | Pulley, idler internal 52.5mm |                | S/Charged (man & auto) | <b>A132E6515S</b>  | 1          |
| 19         | Screw M10 x 50, button hd cap |                | S/Charged (man & auto) | <b>A132W5042F</b>  | 2          |
| 20         | Screw M10 x 50, skt hd cap    |                | S/Charged (man & auto) | <b>A132W5043F</b>  | 2          |
| 21         | Washer, pulley transfer       |                | S/Charged (man & auto) | <b>A132W4006F</b>  | 4          |
| 22         | Stud, idler bracket           |                |                        | <b>A132E6055H</b>  | 1          |



**EVORA**  
42.01

*Updated 4th January 2016*

# Service Parts List

# EVORA



## Function Code 42.01 Airboxes, Trunking & Air Filters

| <u>Dep</u> | <u>Part Description</u>                      | <u>Remarks</u> | <u>Option</u>            | <u>Part Number</u> | <u>Qty</u> |
|------------|--|----------------|--------------------------|--------------------|------------|
| 01         | Airbox Case Assembly                         |                |                          | A132E6481S         | 1          |
| 02         | Airbox Case Assembly, upper                  | P/O item 1     |                          | A132E6323S         | 1          |
| 02a        | Airbox Case Assembly, lower                  | P/O item 1     |                          | A132E6020F         | 1          |
| 03         | Air Filter                                   |                |                          | A132E6324S         | 1          |
| 04         | Hose & Plenum Assembly                       |                | Naturally asperated only | A132E6325S         | 1          |
| 04a        | Hose, intake supercharger                    |                | S/Charged (man & auto)   | A132E6507F         | 1          |
| 05         | Valve, vacuum switching, intake by-pass      |                |                          | A132E6322S         | 1          |
| 06         | Adaptor, airbox bypass                       |                |                          | B132E0028F         | 1          |
| 07         | Adaptor, main airbox                         |                |                          | C132E0027F         | 1          |
| 08         | Hose, intake snorkel bypass                  |                |                          | A132E0018F         | 1          |
| 09         | Hose, main intake                            |                |                          | A132E0017F         | 1          |
| 10         | Hose Clip, 110-130mm, main hose to retention |                |                          | A132W6037F         | 2          |
| 11         | Hose Clip, bypass hose                       |                |                          | A132W6027F         | 2          |
| 12         | Hose Clip, plenum to airbox & throttle body  |                |                          | A132E6396S         | 2          |
| 13         | Screw, M8 x 30, flg. hd., airbox to bracket  |                |                          | A116W5245F         | 3          |
| 14         | Screw, flg. hd., sensor to airbox upper      |                |                          | A120E6447S         | 2          |
| 15         | Blanking Plug                                |                |                          | A120W6758F         | 1          |
| 16         | Hose, vacuum, 245mm, valve to airbox         |                |                          | A121E0008F         | 1          |

EVORA

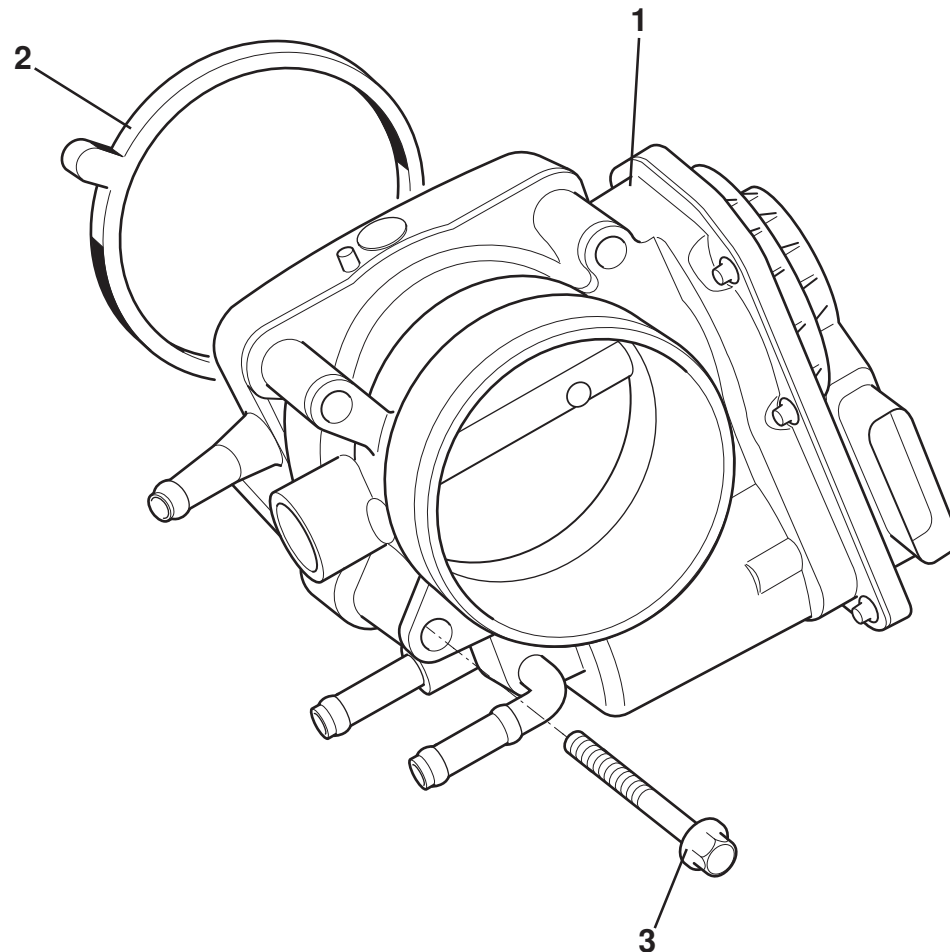
---

**Function Code 42.01 Airboxes, Trunking & Air Filters**

| <u>Dep</u> | <u>Part Description</u>                       | <u>Remarks</u> | <u>Option</u>         | <u>Part Number</u> | <u>Qty</u> |
|------------|---|----------------|-----------------------|--------------------|------------|
| 17         | Hose, vacuum, airbox to inlet plenum          |                |                       | A132E6320S         | 1          |
| 18         | Bracket, airbox mounting                      |                |                       | C132E0016F         | 1          |
| 18a        | Bracket, airbox mounting                      |                | Auto (NA & S/Charged) | A132F0086F         | 1          |
| 19         | Screw, M6 x 20, hex. flg hd. pump clamping    |                |                       | A132W5004F         | 1          |
| 20         | Screw, M6 x 14, hex. flg hd. bracket mounting |                |                       | A116W5233F         | 2          |
| 21         | Pipe Stub                                     |                |                       | A132E0082F         | 1          |
| 22         | Cable Tie, intake hose to stay                |                |                       | B075W6045Z         | 1          |

---





**EVORA**

**42.04**

**2010/01**

# Service Parts List

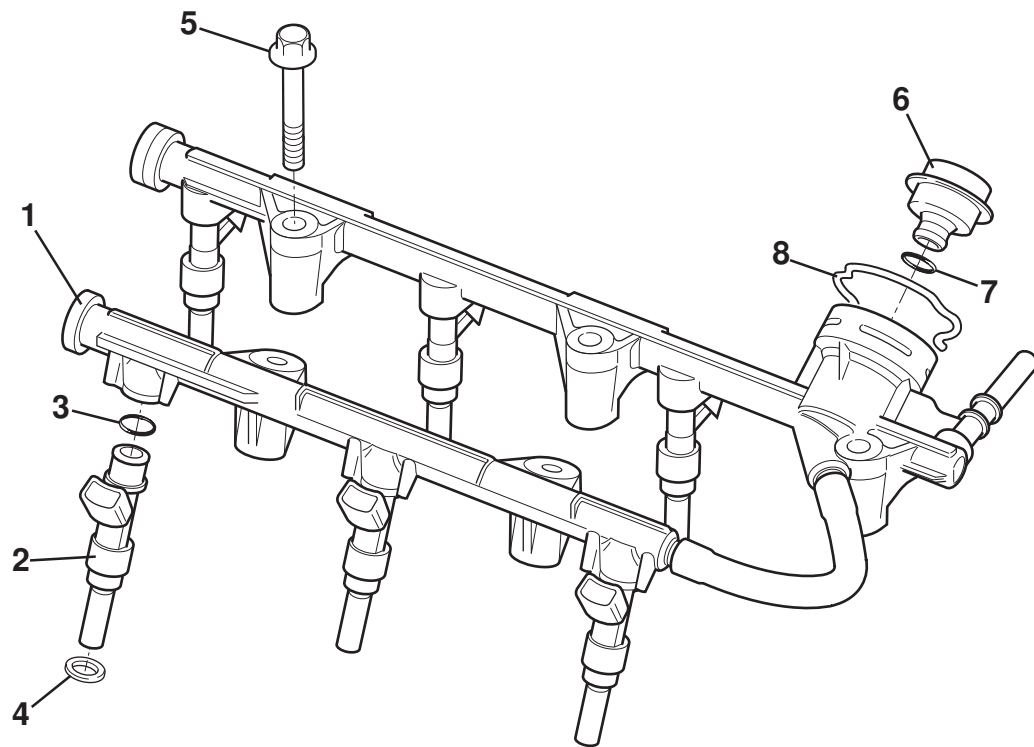
# EVORA



## Function Code 42.04 Throttle Body, Mechanism & IAC Valve

| <u>Dep</u> | <u>Part Description</u>                | <u>Remarks</u> | <u>Option</u> | <u>Part Number</u> | <u>Qty</u> |
|------------|--|----------------|---------------|--------------------|------------|
| 01         | Throttle Body                          |                |               | A132E6327S         | 1          |
| 02         | Gasket, throttle body to intake plenum |                |               | A132E6454S         | 1          |
| 03         | Bolt, throttle body to intake plenum   |                |               | A132E6379S         | 4          |

EVORA



**EVORA**

**42.05**

*2009/02*

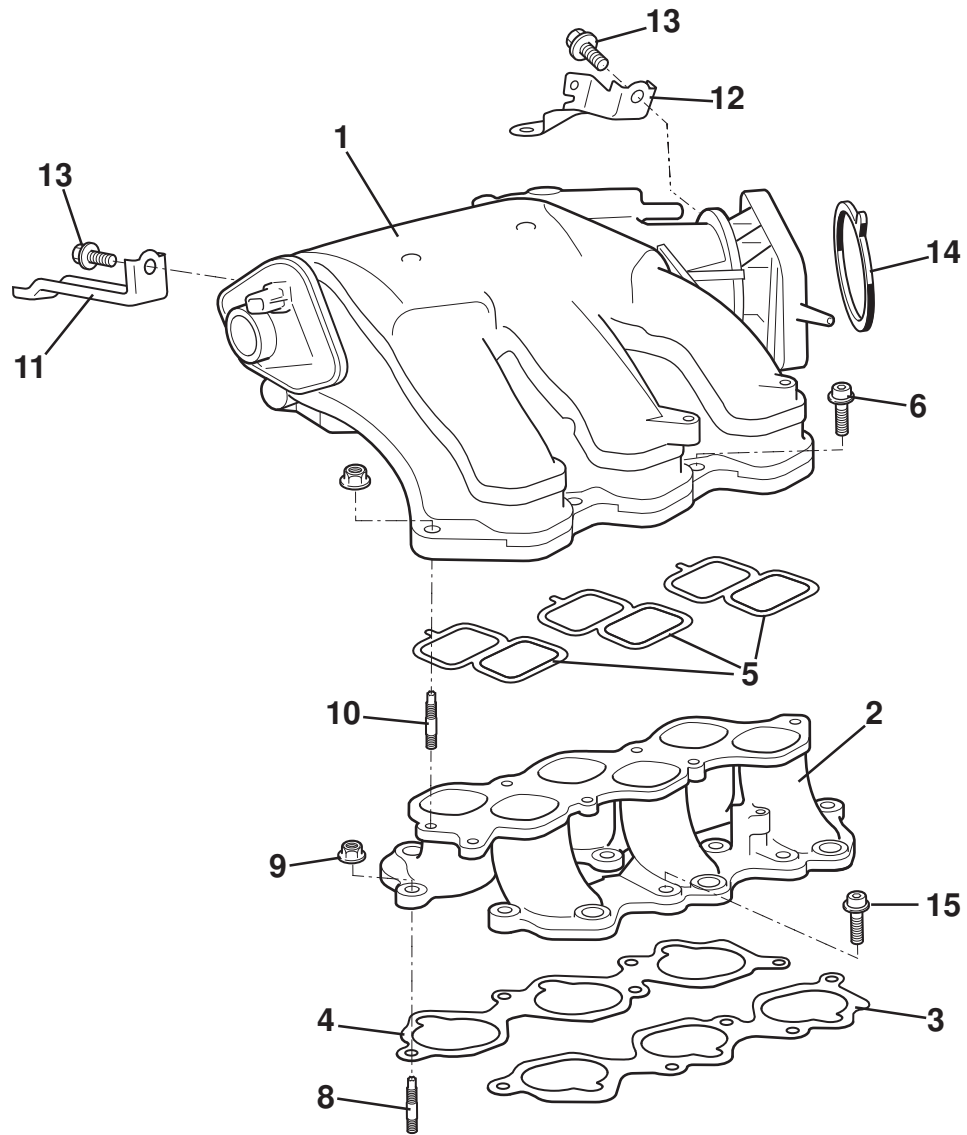
# Service Parts List



## Function Code 42.05 Fuel Injection System

| <u>Dep</u> | <u>Part Description</u>             | <u>Remarks</u>           | <u>Option</u>            | <u>Part Number</u> | <u>Qty</u> |
|------------|-------------------------------------|--------------------------|--------------------------|--------------------|------------|
| 01         | Fuel Rail Assembly                  | Includes 6,7,8           |                          | A132E6286S         | 1          |
| 02         | Fuel Injector                       | Includes 'O' ring        | Naturally asperated only | A132E6284S         | 6          |
| 02a        | Fuel Injector, high flow            | Includes 'O' ring        | S/Charged (man & auto)   | A132E6498H         | 6          |
| 03         | 'O' Ring, injector to rail          |                          |                          | A132E6460S         | 6          |
| 04         | Insulator, injector                 |                          |                          | A132E6285S         | 6          |
| 05         | Bolt, hex. flg. hd., rail to engine |                          |                          | A132E6287S         | 5          |
| 06         | Fuel Pressure Valve                 | Unavailable order item 1 |                          | A132E6508S         | 1          |
| 07         | 'O' Ring, valve to rail             |                          |                          | A132E6460S         | 1          |
| 08         | Clip, valve retention to rail       |                          |                          | A132E6509S         | 1          |



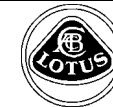


**EVORA**  
42.07

*Updated 1st August 2014*

# Service Parts List

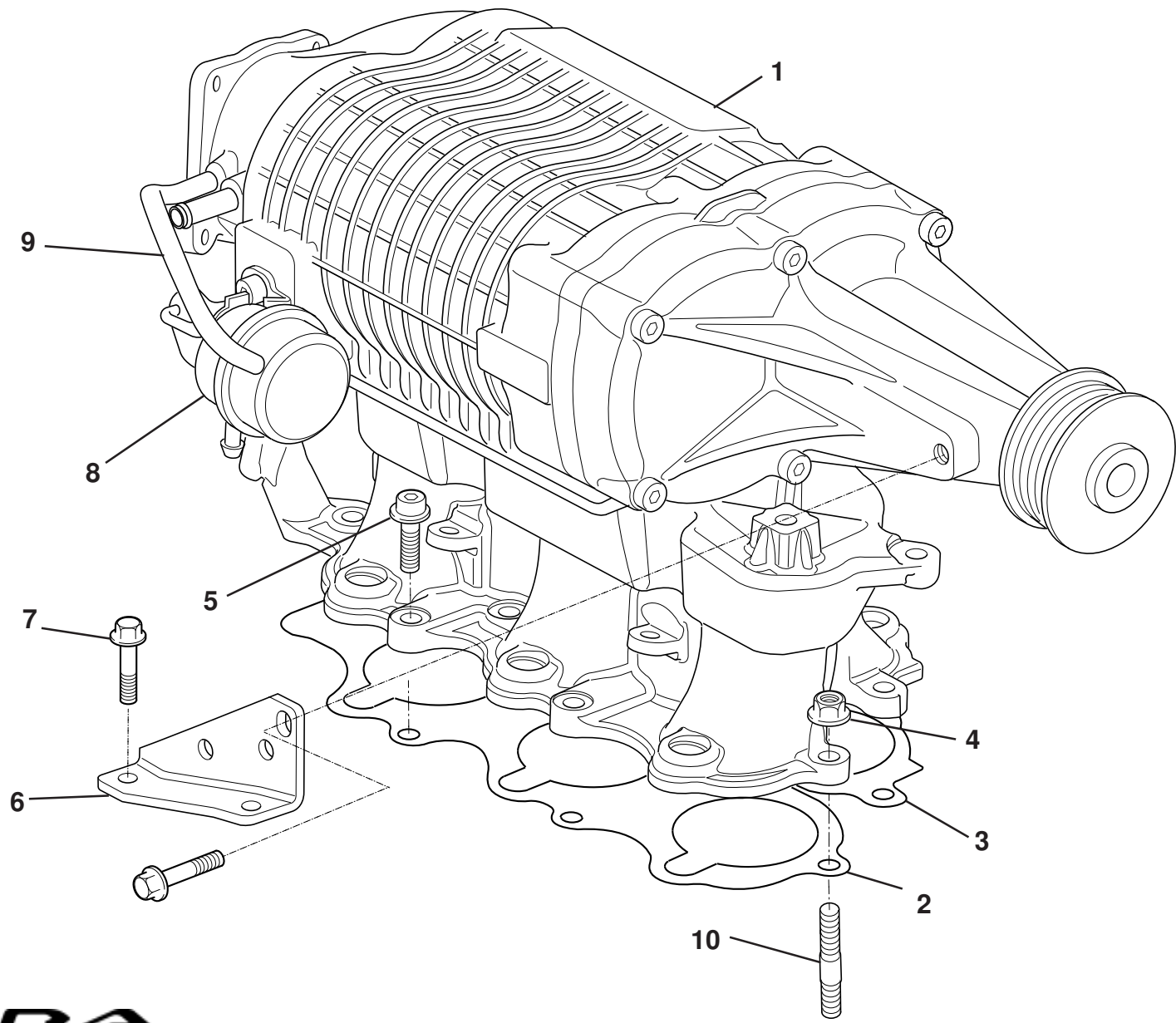
# EVORA



## Function Code 42.07 Inlet Manifold, Plenum & gaskets

| <u>Dep</u> | <u>Part Description</u>                                | <u>Remarks</u> | <u>Option</u> | <u>Part Number</u> | <u>Qty</u> |
|------------|--|----------------|---------------|--------------------|------------|
| 01         | Intake plenum  |                |               | A132E6319S         | 1          |
| 02         | Inlet Manifold   |                |               | A132E6274S         | 1          |
| 03         | Gasket, inlet manifold, LH                             |                |               | A132E6276S         | 1          |
| 04         | Gasket, inlet manifold, RH                             |                |               | A132E6275S         | 1          |
| 05         | Gasket, intake plenum to inlet manifold                |                |               | A132E6453S         | 3          |
| 06         | Bolt/Washer, socket cap hd., intake plenum to manifold |                |               | A132E6363S         | 4          |
| 07         | Nut, flange, intake plenum to inlet manifold           |                |               | A132E6473S         | 2          |
| 08         | Stud, inlet manifold to head                           | Also see 40.05 |               | A132E6116S         | 8          |
| 09         | Nut, flange, inlet manifold to head                    |                |               | A132E6474S         | 4          |
| 10         | Stud, intake plenum to manifold                        |                |               | A132E6277S         | 2          |
| 11         | Stay, intake plenum, front                             |                |               | A132E6314S         | 1          |
| 12         | Stay, intake plenum, rear                              |                |               | A132E6328S         | 1          |
| 13         | Bolt, flg. hd., stays to intake plenum                 |                |               | A132E6191S         | 4          |
| 14         | Gasket, throttle body to intake plenum                 | Also see 42.04 |               | A132E6454S         | 1          |
| 15         | Screw, Inlet manifold                                  |                |               | A132E6278S         | 6          |

EVORA



**EVORA**  
42.09

*Updated 25th May 2011*

# Service Parts List

# EVORA

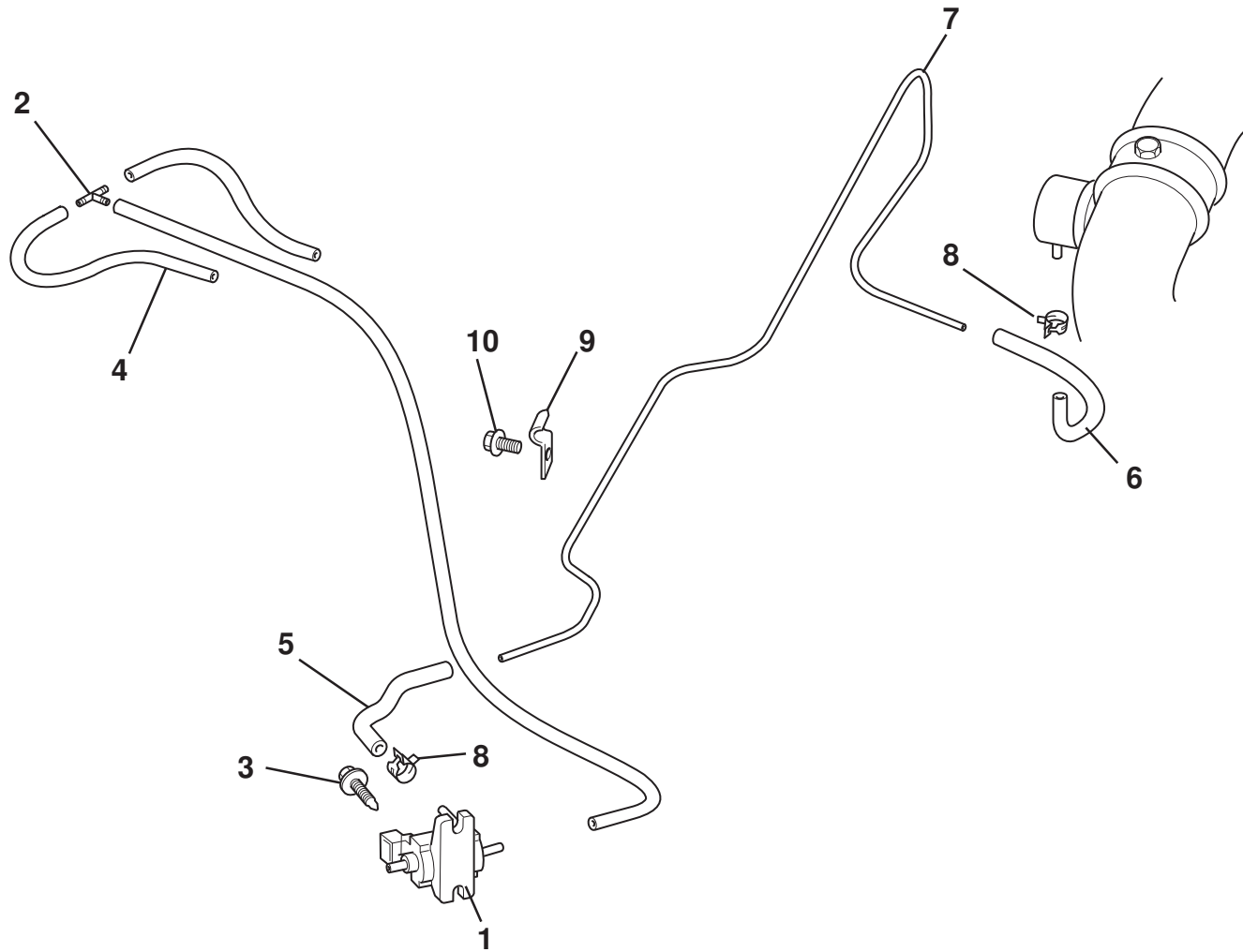


## Function Code 42.09 Supercharger

| <u>Dep</u> | <u>Part Description</u>                          | <u>Remarks</u> | <u>Option</u> | <u>Part Number</u> | <u>Qty</u> |
|------------|--|----------------|---------------|--------------------|------------|
| 01         | Supercharger Assembly                            |                |               | B132E6494F         | 1          |
| 02         | Gasket, inlet manifold LH                        |                |               | A132E6276S         | 1          |
| 03         | Gasket, inlet manifold RH                        |                |               | A132E6275S         | 1          |
| 04         | Nut, flange, supercharger to head                |                |               | A132E6474S         | 6          |
| 05         | Bolt/Washer, socket cap hd, supercharger to head |                |               | A132E6363S         | 4          |
| 06         | Bracket  |                |               | B132E6495F         | 1          |
| 07         | Bolt, hex flg hd                                 |                |               | A132E6191S         | 3          |
| 08         | Vacuum actuator, supercharger                    |                |               | A132E6516S         | 1          |
| 09         | Hose, vacuum actuator, supercharger              |                |               | A132E6517S         | 1          |
| 10         | Stud M8 x 25                                     |                |               | A132E6116S         | 6          |

EVORA





**EVORA**  
43.03

*Updated 1st August 2014*

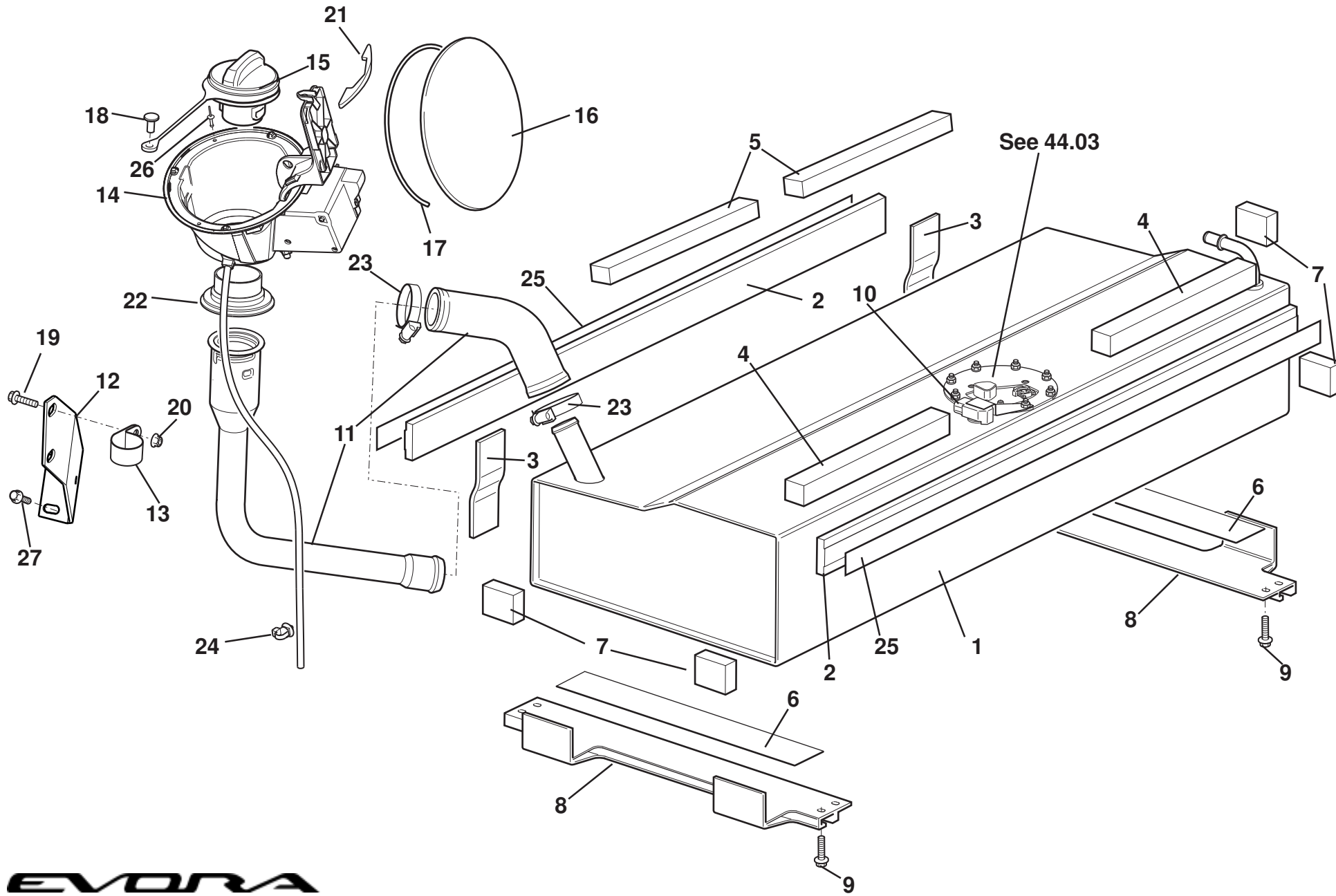
# Service Parts List



## Function Code 43.03 Vacuum System, Hoses, Pipes & Fittings

| <u>Dep</u> | <u>Part Description</u>            | <u>Remarks</u>  | <u>Option</u>  | <u>Part Number</u> | <u>Qty</u> |
|------------|------------------------------------|-----------------|----------------|--------------------|------------|
| 01         | Solenoid Valve, exhaust flap       |                 | A132S6011F R/B | A132S6014F         | 1          |
| 02         | 'T' Piece                          |                 |                | A120E6524F         | 1          |
| 03         | Screw M5 x 16 hex flg              |                 |                | A132W5016F         | 2          |
| 04         | Hose Vacuum, valve to pipe         | Cut to length   |                | A121E0008F         | 1          |
| 05         | Hose Vacuum, solenoid to pipe      |                 |                | A128E0027F         | 1          |
| 06         | Hose Vacuum, airbox to soleniod    | Cut to length   |                | A121E0008F         | 1          |
| 06a        | Hose Vacuum, valve to pipe         |                 | MY12           | B132S0203F         | 1          |
| 07         | Pipe Vaccum                        |                 |                | A132S0145F         | 1          |
| 07a        | Pipe Vaccum                        |                 | MY12           | B132S0182F         | 1          |
| 08         | Clamp Hose, oetiker                |                 |                | A111L6027F         | 2          |
| 09         | Clip Fixing                        |                 |                | A132W6078F         | 4          |
| 10         | Screw M5 x 12 hex flg              |                 |                | A132W5002F         | 4          |
| 11         | Heat Protective wrap 180mm         | Not Illustrated | MY12           | A120L0061F         | 1          |
| 12         | Screw M6 x 16 hex flg. vacuum pipe | Not Illustrated | MY12           | A132W5003F         | 3          |
| 13         | 'P' Clip, vacuum pipe              | Not Illustrated | MY12           | A132W6090F         | 3          |





**EVORA**  
44.01

*Updated 4th September 2015*

# Service Parts List

# EVORA



## Function Code 44.01 Fuel Tanks, Filler

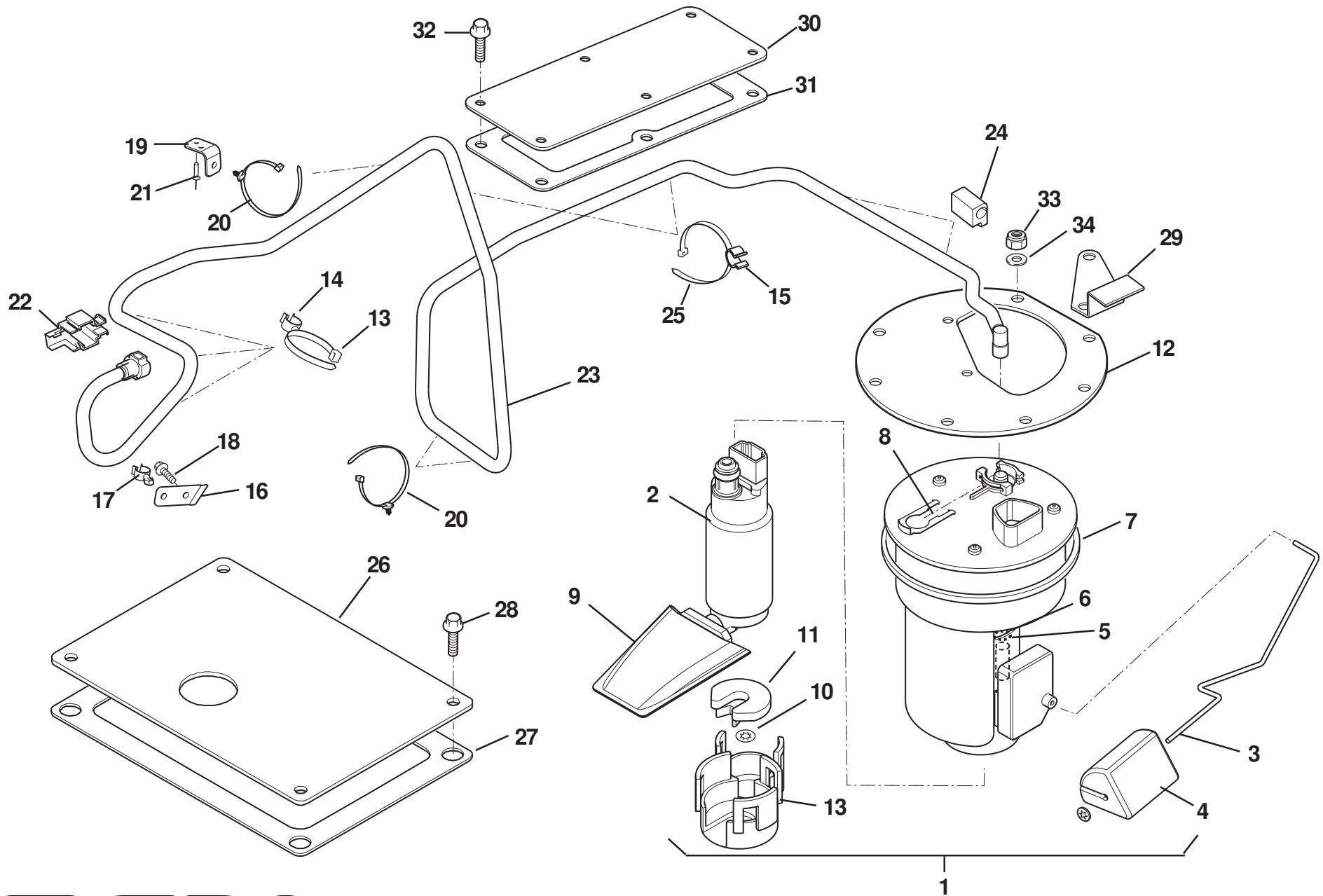
| <u>Dep</u> | <u>Part Description</u>                       | <u>Remarks</u>                   | <u>Option</u>      | <u>Part Number</u> | <u>Qty</u> |
|------------|---|----------------------------------|--------------------|--------------------|------------|
| 01         | Fuel Tank Assembly, complete                  | Includes pump & clamp            |                    | D132L0003F         | 1          |
| 01a        | Fuel Tank Assembly, complete                  | Includes pump & clamp            | Evora Supercharged | A132L0093F         | 1          |
| 02         | Pad, fuel tank front & rear support           |                                  |                    | B132L0021F         | 2          |
| 03         | Pad, fuel tank rear                           |                                  |                    | A132L0023F         | 2          |
| 04         | Pad, fuel tank mounting upper front           |                                  |                    | A132L0024F         | 2          |
| 05         | Pad, fuel tank mounting upper rear            |                                  |                    | A132L0025F         | 2          |
| 06         | Pad, fuel tank mounting lower                 |                                  |                    | B132L0026F         | 2          |
| 07         | Pad, fuel tank side                           |                                  |                    | B132L0071F         | 2          |
| 08         | Bracket, fuel tank mounting                   |                                  |                    | A132L0076F         | 2          |
| 09         | Screw, M8 x 25, flg. hd., brackets to chassis |                                  |                    | A132W5006F         | 8          |
| 10         | Tank Pressure Sensor                          |                                  |                    | A132E6355S         | 1          |
| 11         | Fuel Filler Neck & Hose Assembly              |                                  |                    | A132L0044F         | 1          |
| 12         | Bracket, fuel filler neck support             |                                  |                    | C132L0046F         | 1          |
| 13         | Clamp, fuel filler neck support               |                                  |                    | A121W6785F         | 1          |
| 14         | Bowl Assembly, fuel filler                    | Includes solenoid and drain tube |                    | A132L6012F         | 1          |
| 15         | Cap, fuel filler                              |                                  |                    | A132L6032F         | 1          |
| 16         | Fuel Filler Flap                              |                                  | Primed             | A132U0301K         | 1          |
| 17         | Seal, filler flap                             |                                  |                    | B132U0172F         | 1          |

EVORA

---

**Function Code 44.01 Fuel Tanks, Filler**

| <u>Dep</u> | <u>Part Description</u>                | <u>Remarks</u> | <u>Option</u> | <u>Part Number</u> | <u>Qty</u> |
|------------|--|----------------|---------------|--------------------|------------|
| 18         | Fastener, fuel cap teather             |                |               | A132L6025F         | 1          |
| 19         | Screw, M8 x 20, flg. hd., clamp fixing |                |               | A132W5005F         | 2          |
| 20         | Nut, M8 flg., clamp to bracket         |                |               | A132W3006F         | 1          |
| 21         | Seal Pad, fuel flap bowl               |                |               | A132U0314F         | 1          |
| 22         | Grommet, fuel filler neck              |                |               | A121L0085F         | 1          |
| 23         | Hose Clip, filler hose                 |                |               | A120W6784F         | 2          |
| 24         | Tie Wrap Clip, drain tube              |                |               | A116K6020F         | 2          |
| 25         | Double Sided Adhesive Foam             | 1m lenghts     |               | A132L6033V         | 2          |
| 26         | Rivet                                  |                |               | A082W6512F         | 3          |
| 27         | Screw, M6 x 20, flg. hd., bracket      |                |               | A132W5004F         | 2          |



**EVORA**  
44.03

*Updated 1st October 2013*

# Service Parts List



## Function Code 44.03 Fuel Pump; Filter, Pipes

| <u>Dep</u> | <u>Part Description</u>            | <u>Remarks</u>           | <u>Option</u>          | <u>Part Number</u> | <u>Qty</u> |
|------------|------------------------------------|--------------------------|------------------------|--------------------|------------|
| 01         | Fuel Module Assembly               | Includes items 2, 3 - 13 |                        | A132L0081H         | 1          |
| 01a        | Fuel Module Assembly               | Includes items 2a, 3 -13 | S/Charged (man & auto) | A132L0092H         | 1          |
| 02         | Fuel Pump with filter              |                          |                        | A132L6041H         | 1          |
| 02a        | Fuel Pump with filter, high flow   | Discard filter supplied  | S/Charged (man & auto) | A132E6499H         | 1          |
| 03         | Arm, sender to float               |                          |                        | A132L0080H         | 1          |
| 04         | Float, fuel level                  |                          |                        | Not Available      | 1          |
| 05         | Fuel Pressure Regulator            |                          |                        | A132E6339S         | 1          |
| 06         | 'O' Ring, fuel pressure regulator  |                          |                        | A132E6340S         | 1          |
| 07         | Seal, fuel pump                    |                          |                        | A120L6009S         | 1          |
| 08         | Clip, pipe retaining               |                          |                        | A120L6012S         | 1          |
| 09         | Fuel Pump Filter                   |                          |                        | A132L6046F         | 1          |
| 10         | Star Washer                        |                          |                        | A132L6047F         | 1          |
| 11         | Cushion, rubber, fuel pump support |                          |                        | A132E6338S         | 1          |
| 12         | Clamp Plate, fuel Pump             |                          |                        | B132L0004H         | 1          |
| 13         | Cap, fuel pump module base         |                          |                        | A132L6049H         | 1          |
| 14         | Cable Pipe Clip Female             |                          |                        | A132W6047F         | 3          |
| 15         | Swivel Clip Male                   |                          |                        | A082W6587F         | 2          |
| 16         | Bracket Fuel Feed Support Rail     |                          |                        | B132L0032F         | 1          |

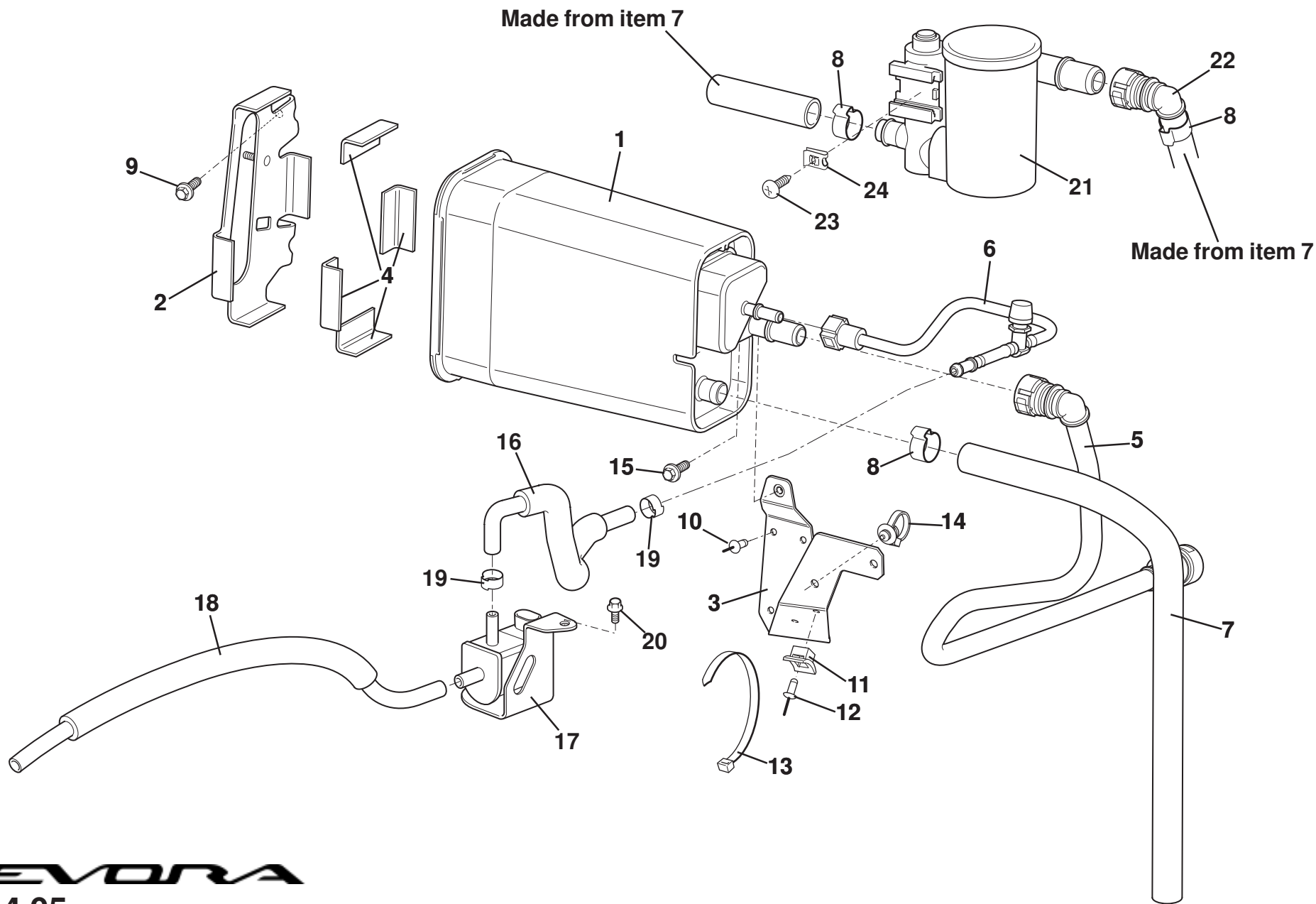


---

**Function Code 44.03 Fuel Pump; Filter, Pipes**

| <u>Dep</u> | <u>Part Description</u>              | <u>Remarks</u> | <u>Option</u> | <u>Part Number</u> | <u>Qty</u> |
|------------|--------------------------------------|----------------|---------------|--------------------|------------|
| 17         | Clip Pipe                            |                |               | A128W6831F         | 1          |
| 18         | Screw M6 x 12 hex flg                |                |               | A132W5010F         | 1          |
| 19         | Bracket Fuel Feed Support Bulkhead   |                |               | B132L0070F         | 1          |
| 20         | Clip Cable Tie                       |                |               | A116K6020F         | 3          |
| 21         | Rivet Pop                            |                |               | A082W6512F         | 2          |
| 22         | Clamp Fuel Pipe no. 2                |                |               | A132E6332S         | 1          |
| 23         | Pipe Assembly, fuel feed             |                |               | B132L0031F         | 1          |
| 24         | Pad, fuel feed pipe support          |                |               | B132L0027F         | 2          |
| 25         | Swivel Clip Tie Wrap                 |                |               | A082W6324F         | 5          |
| 26         | Cover, fuel pump                     |                |               | B132A0197F         | 1          |
| 27         | Seal Cover                           |                |               | A132A0346F         | 1          |
| 28         | Screw M6 x 20 hex flg, cover to body |                |               | A132W5004F         | 4          |
| 29         | Bracket, vapour sensor               |                |               | B132L0069K         | 1          |
| 30         | Cover, fuel pipes                    |                |               | B132A0196F         | 1          |
| 31         | Seal Cover                           |                |               | A132A0347F         | 1          |
| 32         | Screw M5 x 16 hex flg, cover to body |                |               | A132W5016F         | 6          |
| 33         | Nyloc Nut, M6, pump to tank          |                |               | A120L0014H         | 8          |
| 34         | Wafer M6 x 12 x 1.4 s/s              |                |               | A126W4222F         | 5          |





**EVORA**  
44.05

2010/01

# Service Parts List

# EVORA



## Function Code 44.05 Charcoal Canister & Evaporative Loss System.

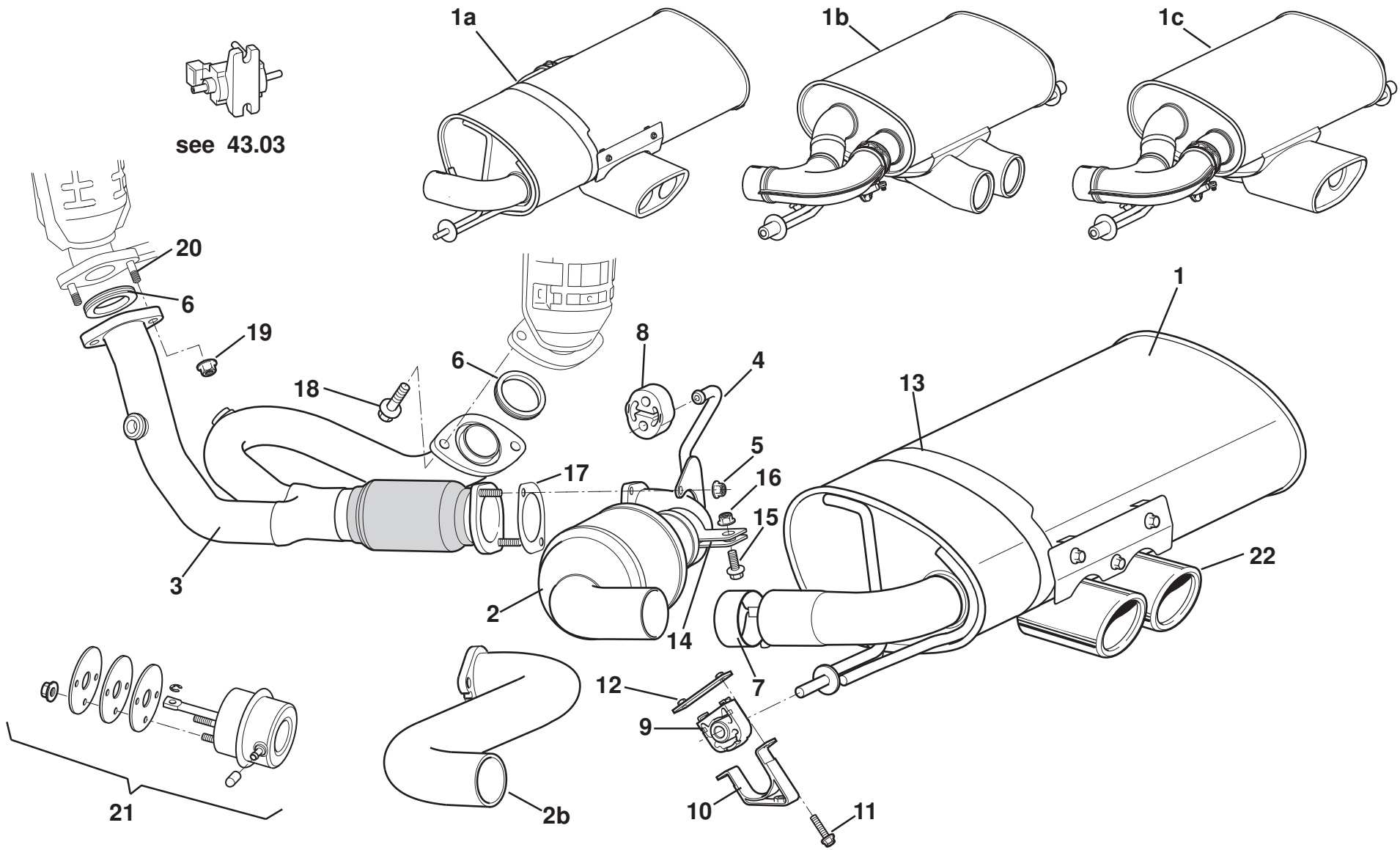
| <u>Dep</u> | <u>Part Description</u>                            | <u>Remarks</u>          | <u>Option</u> | <u>Part Number</u> | <u>Qty</u> |
|------------|--|-------------------------|---------------|--------------------|------------|
| 01         | Charcoal Canister                                  |                         |               | A132L6004F         | 1          |
| 02         | Bracket, canister mounting, base                   |                         |               | A132L0079F         | 1          |
| 03         | Bracket, canister mounting, hose end               |                         |               | B132L0073F         | 1          |
| 04         | Pad, canister base to bracket                      |                         |               | A132L0028F         | 4          |
| 05         | Pipe Assembly, tank to canister                    |                         |               | B132L0034F         | 1          |
| 06         | Pipe Assembly, canister to purge valve             |                         |               | B132L0035F         | 1          |
| 07         | Hose, canister vent                                | Cut for USA application | Euro          | B132L0056F         | 1          |
| 08         | Hose Clip, otiker, hose to canister/elbow          | 1 off Euro, 2 off USA   |               | A121W6774F         | 2          |
| 09         | Screw, M6 x 16, hex. flg. hd., bracket to bulkhead |                         |               | A132W5003F         | 2          |
| 10         | Pop Rivet, bracket to bulkhead                     |                         |               | A111W6613F         | 3          |
| 11         | Cradle, cable tie                                  |                         |               | A082W6293F         | 2          |
| 12         | Pop Rivet, cradle tie saddle to bracket            |                         |               | A085W6259F         | 2          |
| 13         | Cable tie, heater hose to bracket                  |                         |               | A075W6038Z         | 2          |
| 14         | Clip, cable tie                                    |                         |               | A116K6020F         | 1          |
| 15         | Screw, M6 x 20, hex. flg. hd., canister to bracket |                         |               | A132W5004F         | 1          |
| 16         | Hose, canister to purge valve                      |                         |               | A132L0078F         | 1          |
| 17         | Purge Valve/Bracket Assembly                       |                         |               | A132E6288S         | 1          |
| 18         | Hose, purge valve to inlet plenum                  |                         |               | A132E6331S         | 1          |

EVORA

---

**Function Code 44.05 Charcoal Canister & Evaporative Loss System.**

| <u>Dep</u> | <u>Part Description</u>                                  | <u>Remarks</u> | <u>Option</u> | <u>Part Number</u> | <u>Qty</u> |
|------------|--|----------------|---------------|--------------------|------------|
| 19         | Hose Clamp, oetiker, hose to valve & pipe assy.          |                |               | A116W6657F         | 2          |
| 20         | Screw, hex. flg. hd., purge valve to engine              |                |               | A132E6249S         | 1          |
| 21         | Canister Close Valve                                     |                | USA           | A121L0004F         | 1          |
| 22         | Elbow Connector, 14mm ID hose                            |                | USA           | A132L6017F         | 1          |
| 23         | Screw, no. 6 x 1/4", pan pozi., S/T, canister to bracket |                | USA           | A121W5283F         | 1          |
| 24         | Spirenut, no. 6, canister to bracket                     |                | USA           | A075W6014Z         | 1          |



**EVORA**

**45.01**

*Updated 1st May 2015*

# Service Parts List



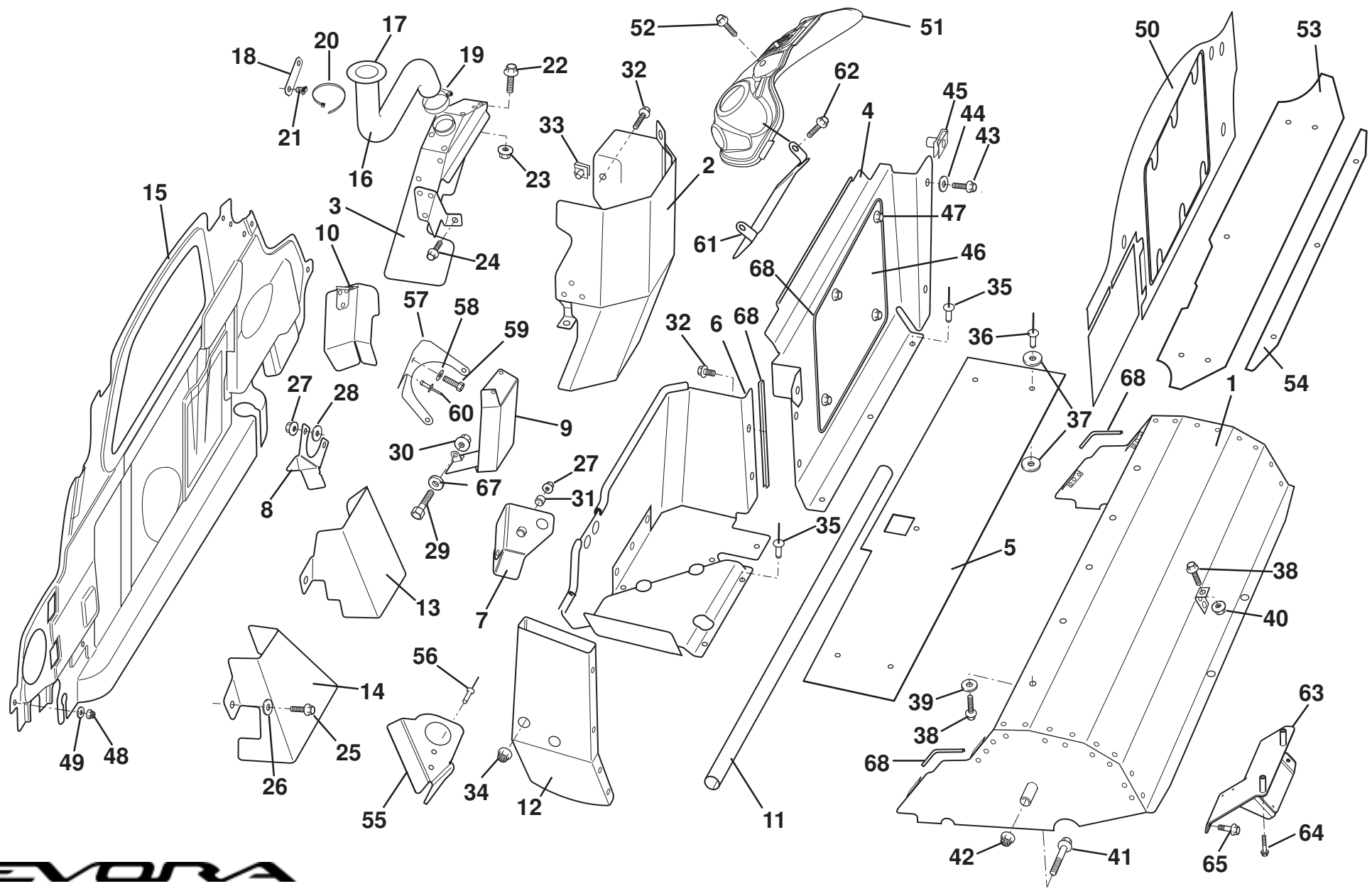
## Function Code 45.01 Exhaust System

| <u>Dep</u> | <u>Part Description</u>                            | <u>Remarks</u>                   | <u>Option</u>                          | <u>Part Number</u> | <u>Qty</u> |
|------------|--|----------------------------------|--|--------------------|------------|
| 01         | Silencer Assembly                                  | Without finisher, includes clamp | MY09-11 NA (man & auto)                | <b>C132S0003F</b>  | 1          |
| 01a        | Silencer Assembly                                  | Includes clamp                   | MY11 S/Charger (man)                   | <b>A132S0154F</b>  | 1          |
| 01b        | Silencer Assembly                                  | Without finisher, includes clamp | MY12 NA (man & auto)                   | <b>A132S0185F</b>  |            |
| 01c        | Silencer Assembly                                  |                                  | MY12 S/Charger (man & auto)            | <b>A132S0180F</b>  | 1          |
| 02         | Main Catalytic Converter                           |                                  | MY09-11 NA (man & auto)                | <b>B132S0014F</b>  | 1          |
| 02a        | Main Catalytic Converter                           |                                  | MY11 S/Charger (man & auto), NA (auto) | <b>A132S0108F</b>  | 1          |
| 02b        | Pipe Assembly Exhaust, downpipe to silencer        |                                  | MY12 not federal                       | <b>A132S0177F</b>  | 1          |
| 03         | Downpipe   |                                  | MY09-11 NA (man & auto)                | <b>B132S0002F</b>  | 1          |
| 03a        | Downpipe   |                                  | MY11 S/Charger (man & auto), NA (auto) | <b>A132S0110F</b>  | 1          |
| 04         | Bracket, catalyst to hanger                        |                                  | MY09-11 NA (man & auto)                | <b>B132S0036F</b>  | 1          |
| 04a        | Bracket, catalyst to hanger                        |                                  | MY11 S/Charger (man & auto), NA (auto) | <b>A132S0121F</b>  | 1          |
| 05         | Nut, M8, lock, copper coated, downpipe to catalyst |                                  |  | <b>A132W3014F</b>  | 2          |
| 06         | Gasket, downpipe to manifold                       |                                  |  | <b>A132S6013S</b>  | 2          |
| 07         | Torca Clamp, catalyst to silencer                  |                                  |  | <b>A120S6000S</b>  | 1          |
| 08         | Exhaust Hanger, catalyst mounting                  |                                  |  | <b>A132S6004F</b>  | 1          |
| 09         | Exhaust Hanger, silencer mounting                  |                                  |  | <b>B132S0088F</b>  | 2          |
| 09a        | Exhaust Hanger, silencer mounting                  |                                  | MY12                                   | <b>A132S0171F</b>  | 2          |



**Function Code 45.01 Exhaust System**

| <u>Dep</u> | <u>Part Description</u>                                 | <u>Remarks</u>         | <u>Option</u> | <u>Part Number</u> | <u>Qty</u> |
|------------|---|------------------------|---------------|--------------------|------------|
| 10         | Strap, exhaust mounting                                 |                        |               | B132S0034F         | 2          |
| 11         | Bolt, M8 x 20, hex. flg. hd., strap to subframe         |                        |               | A132W5005F         | 4          |
| 12         | Nutplate, M8, strap to subframe                         |                        |               | A132S0063F         | 2          |
| 13         | Strap, silencer to catalyst                             |                        |               | A132S0054F         | 1          |
| 14         | Strap, catalyst to silencer                             |                        |               | B132S0075F         | 1          |
| 15         | Screw, M8 x 25, hex. flg. hd., catalyst strap retention |                        |               | A132W5006F         | 1          |
| 16         | Nut, M8, lock, catalyst strap retention                 |                        |               | A075W3035Z         | 1          |
| 17         | Gasket, downpipe to main catalytic converter pipe       |                        |               | A132S0062F         | 1          |
| 18         | Bolt, RH manifold to downpipe                           |                        |               | A132E6362S         | 2          |
| 19         | Nut, LH manifold to downpipe                            |                        |               | A132E6504S         | 2          |
| 20         | Stud, LH manifold to downpipe                           | Also see section 40.21 |               | A132E6153S         | 2          |
| 21         | Valve Actuator Kit                                      | For items 01a          |               | A132S6016S         | 1          |
| 21         | Valve Actuator Kit                                      | For items 01b, 01c     |               | A138S6002S         | 1          |
| 22         | Exhaust finisher, stainless steel                       |                        | Base          | B132S0093F         | 1          |
| 22a        | Exhaust finisher, titanium                              |                        | Sports pack   | B132S0076F         | 1          |



**EVORA**

**45.05**

*Updated 3rd November 2014*

# Service Parts List

# EVORA



## Function Code 45.05 Heatshields

| <u>Dep</u> | <u>Part Description</u>                 | <u>Remarks</u>                 | <u>Option</u>  | <u>Part Number</u> | <u>Qty</u> |
|------------|---|--------------------------------|----------------|--------------------|------------|
| 01         | Heatshield Assembly, silencer           |                                | C132S0005F R/B | E132S0005F         | 1          |
| 02         | Heatshield Assembly, front catalyst     |                                |                | C132S0013F         | 1          |
| 03         | Vent, heatshield duct                   |                                |                | D132S0017F         | 1          |
| 04         | Heatshield Assembly, bootbox front      | Includes cover plate & fixings |                | C132S0007F         | 1          |
| 05         | Heatshield Assembly, bootbox lower      |                                |                | B132S0009F         | 1          |
| 06         | Heatshield Assembly, battery box        |                                | D132S0049F R/B | B132S0116F         | 1          |
| 07         | Heatshield Assembly, engine rear mount  |                                |                | C132S0011F         | 1          |
| 08         | Heatshield Assembly, PAS pump           |                                |                | A132S0082F         | 1          |
| 09         | Heatshield Assembly, driveshaft bearing |                                |                | E132S0084F         | 1          |
| 10         | Heatshield Assembly, alternator         | Uses existing fixing           |                | B132S0095F         | 1          |
| 11         | Heatshield Assembly, ARB sleeve         |                                | If fitted      | A132S0119F         | 1          |
| 12         | Duct Assembly, battery box cooling      |                                |                | B132S0039J         | 1          |
| 13         | Duct, heatshield engine bay front, RH   |                                |                | B132S0094F         | 1          |
| 14         | Duct, heatshield engine bay front, LH   |                                |                | C132S0016F         | 1          |
| 15         | Insulation Panel, rear bulkhead         |                                |                | B132U0113F         | 1          |
| 16         | Flexible Duct, heatshield vent          |                                |                | A132S0081F         | 1          |
| 17         | Cap End, flexible duct, 50mm            |                                |                | A132S0106F         | 1          |
| 18         | Bracket, duct support                   |                                |                | C132S0052F         | 1          |

EVORA

Function Code: 45.05, Page: 1

Updated 4th February 2019



**Function Code 45.05 Heatshields**

| <u>Dep</u> | <u>Part Description</u>                                 | <u>Remarks</u> | <u>Option</u> | <u>Part Number</u> | <u>Qty</u> |
|------------|---|----------------|---------------|--------------------|------------|
| 19         | Hose Clip, duct to vent                                 |                |               | A132W6046F         | 1          |
| 20         | Cable Tie, duct to bracket                              |                |               | A075W6038F         | 1          |
| 21         | Clip, cable tie, duct to bracket                        |                |               | A116K6020F         | 1          |
| 22         | Screw M8 x 25 hex flg., vent fixing, vent fixing        |                |               | A132W5006F         | 1          |
| 23         | Nut, M8, flg., vent fixing                              |                |               | A132W3006F         | 1          |
| 24         | Screw, M6 x 14, hex. flg. hd., vent fixing              |                |               | A116W5233F         | 1          |
| 25         | Screw M8 x 20 hex flg, vent fixing                      |                |               | A132W5004F         | 4          |
| 26         | Washer, flat, M6 x 18 x 1.0, vent fixing                |                |               | B082W4018F         | 4          |
| 27         | Nut, M8, flg., heatshield fixing                        |                |               | A132W3006F         | 3          |
| 28         | Washer, flat, M8 x 16..6 x 1.4, heatshield fixing       |                |               | A075W4020F         | 2          |
| 29         | Screw, M10 x 50, hex. hd., heatshield fixing            |                | Man           | A132W2045F         | 1          |
| 29a        | Screw, M10 x 20, hex. flg. hd., heatshield fixing       |                | Auto          | A132W5007F         | 2          |
| 30         | Nut, M10, flg., heatshield fixing                       |                | Man           | A132W3007F         | 1          |
| 30a        | Screw, M10 x 20, hex. flg. hd., heatshield fixing       |                | Auto          | A132W3005F         | 2          |
| 31         | Spacer, engine mount heatshield                         |                |               | A132S0053K         | 1          |
| 32         | Screw, M6 x 20, hex. flg. hd., heatshield fixing        |                |               | A132W5004F         | 3          |
| 33         | Spirenut, M6, heatshield fixing                         |                |               | A117W6715F         | 1          |
| 34         | Nut, M6, flg., duct fixing                              |                |               | A132W3004F         | 2          |
| 35         | Pop Rivet, heatshields to subframe                      |                |               | A085W6259F         | 8          |
| 36         | Pop Rivet, bootbox heatshield to floor                  |                |               | A111W6614F         | 5          |
| 37         | Washer, flat, M5 x 15 x 1.4, black, heatshield to floor |                |               | A082W4098F         | 10         |



**Function Code 45.05 Heatshields**

| <u>Dep</u> | <u>Part Description</u>                                   | <u>Remarks</u>                 | <u>Option</u>       | <u>Part Number</u> | <u>Qty</u> |
|------------|---|--------------------------------|---------------------|--------------------|------------|
| 38         | Screw, M6 x 16, hex. flg. hd., heatshield to subrame      |                                |                     | A132W5003F         | 10         |
| 39         | Washer, flat, M6 x 18 x 1.0, heatshield to subrame        |                                |                     | B082W4018F         | 5          |
| 40         | Nut, M6, flg., heatshield to subrame                      |                                |                     | A117W3180F         | 5          |
| 41         | Bolt, M6 x 40, hex. flg. hd., heatshield fixing           |                                |                     | A132W2019F         | 2          |
| 42         | Nut, M6, flg., heatshield fixing                          |                                |                     | A117W3180F         | 2          |
| 43         | Screw, M6 x 20, hex. flg. hd., heatshield fixing          |                                |                     | A117W2203F         | 5          |
| 44         | Washer, flat, M6 x 18 x 1.0, heatshield fixing            |                                |                     | B082W4018F         | 4          |
| 45         | Spirenut, M6, heatshield & cover fixing                   |                                |                     | A117W6715F         | 9          |
| 46         | Cover Plate, bootbox heatshield                           | P/O heatshield assembly item 7 | Order heatshield    | C132S0007F         | 1          |
| 47         | Bolt, M6 x 14, hex. flg. hd., cover plate fixing          |                                |                     | A116W5253F         | 4          |
| 48         | Nyloc Nut, M5, flg., panel to bulkhead                    |                                |                     | A132W3000F         | 6          |
| 49         | Washer, flat, M5 x 19 x 1.4, S/S black, panel to bulkhead |                                |                     | B082W4107F         | 6          |
| 50         | Insulation, bootbox front                                 | Trim to use                    |                     | B132U0535F         | 1          |
| 51         | Heatshield, exhaust manifold, LH*                         |                                |                     | A132E6317S         | 1          |
| 52         | Flange bolt/washer, exhaust manifold heatshield, LH       |                                |                     | A132E6390S         | 3          |
| 53         | Insulation, boot floor                                    |                                |                     | B132U0164F         | 1          |
| 54         | Insulation, boot floor rear                               |                                |                     | A132U0355F         | 1          |
| 55         | Heatshield Rear Transmission Mount                        |                                | Auto NA & S/Charged | A132S0114F         | 1          |
| 56         | Rivet, heatshield rear transmission mount                 |                                | Auto NA & S/Charged | A089W6297F         | 2          |
| 57         | Bracket Heatshield, drive shaft bearing                   |                                | Auto NA & S/Charged | A132S0124F         | 1          |
| 58         | Washer Flat M10, bracket heatshield engine                |                                | Auto NA & S/Charged | A075W4024F         | 1          |

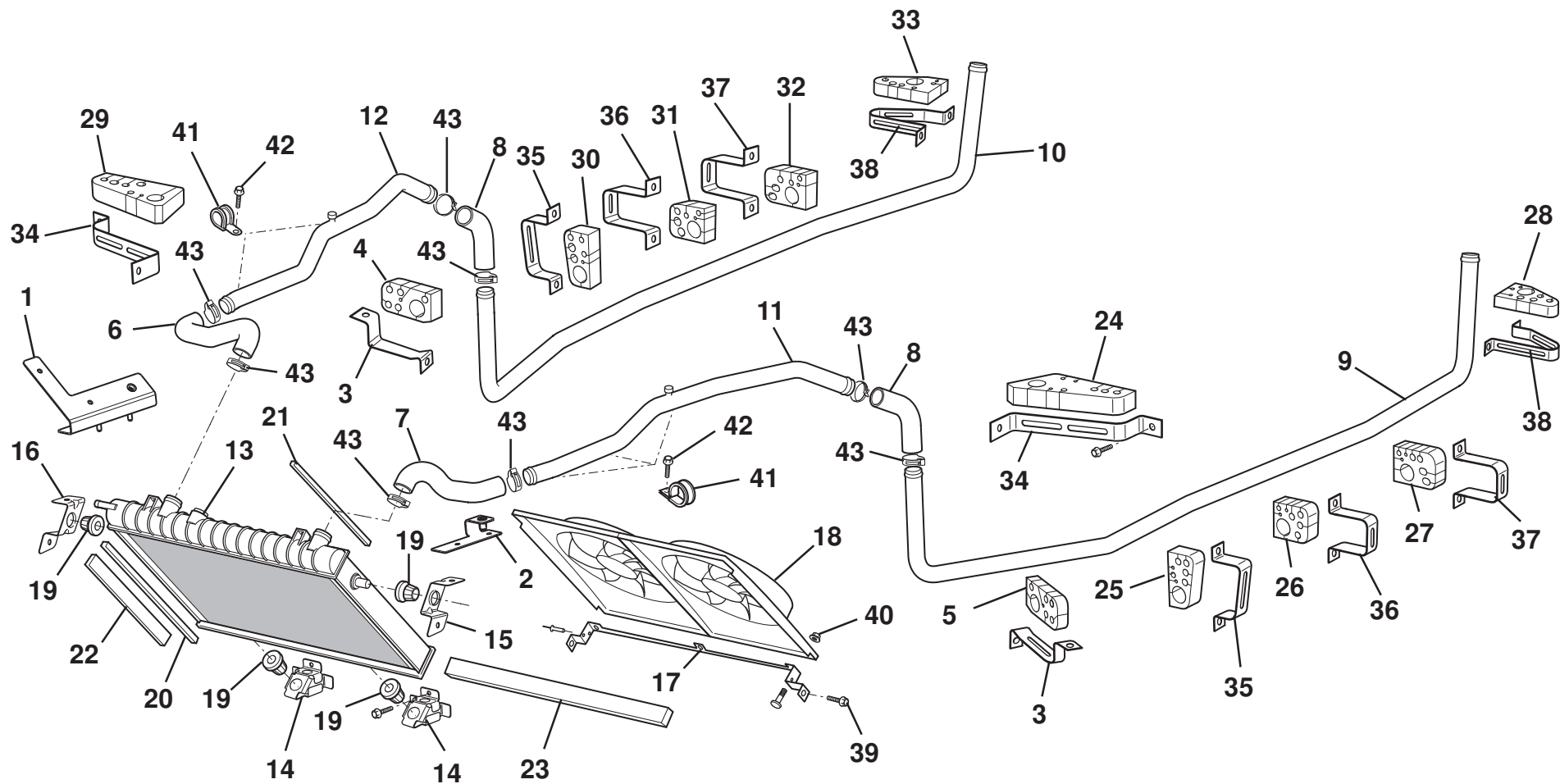


---

**Function Code 45.05 Heatshields**

| <u>Dep</u> | <u>Part Description</u>                              | <u>Remarks</u>  | <u>Option</u>       | <u>Part Number</u> | <u>Qty</u> |
|------------|--|---|---------------------|--------------------|------------|
| 59         | Setscrew M10x 20, bracket heatshield engine          |   | Auto NA & S/Charged | <b>A075W1079F</b>  | 1          |
| 60         | Rivet, bracket heatshield engine                     |   | Auto NA & S/Charged | <b>A132W6024F</b>  | 1          |
| 61         | Heatshield, rear cylinder head                       |   |                     | <b>A132S0174F</b>  | 1          |
| 62         | Screw M6 x 12 hex flg, heatshield rear cylinder head |   |                     | <b>A132W5010F</b>  | 2          |
| 63         | Assembly Heatshield, toe control arm                 |   | MY12                | <b>A132S0204F</b>  | 1          |
| 64         | Bolt M6 x 40 hex flg                                 |   |                     | <b>A132W2019F</b>  | 2          |
| 65         | Screw M6 x 16mm hex flg                              |   |                     | <b>A132W5003F</b>  | 3          |
| 66         | Heat Protective Wrap 180mm, fuse box cables          | Battery tray area, Not illustrated                                      | MY12                | <b>A120L0061F</b>  | 1          |
| 67         | Washer 7/16 x 7/8                                    |   |                     | <b>B120W4199F</b>  | 2          |
| 68         | Edge Finisher  | 1120mm for access panel, 210<br>for battery box & 100 mm for<br>bootbox |                     | <b>A117B6010V</b>  | 1430m<br>m |
|            |  | *RH heatshield supplied with<br>manifold                                |                     |                    |            |

---



**EVORA**  
46.01

*Updated 1st July 2014*

# Service Parts List

# EVORA



## Function Code 46.01 Engine Cooling System & Fan

| <u>Dep</u> | <u>Part Description</u>                    | <u>Remarks</u>                                | <u>Option</u> | <u>Part Number</u> | <u>Qty</u> |
|------------|--|---|---------------|--------------------|------------|
| 01         | Bracket Assembly, pipe hose mounting       |   |               | A132K0146F         | 1          |
| 02         | Bracket Assembly, pipe mounting            |   |               | A132K0049F         | 1          |
| 03         | Clamp, support foam 'A' pillar lwr         |   |               | B132A0280F         | 2          |
| 04         | Support Foam, sill pipes 'A' pillar lwr RH |   |               | C132A4128F         | 1          |
| 04a        | Support Foam, sill pipes 'A' pillar lwr RH |   | MY12          | B132A0463F         | 1          |
| 05         | Support Foam, sill pipes 'A' pillar lwr LH |   |               | C132A4127F         | 1          |
| 05a        | Support Foam, sill pipes 'A' pillar lwr LH |   | MY12          | A132A0462F         | 1          |
| 06         | Hose, radiator, RH                         |   |               | B132K0042F         | 1          |
| 07         | Hose, radiator LH                          |   |               | B132K0041F         | 1          |
| 08         | Hose, coolant front                        |   |               | B132K0035F         | 2          |
| 09         | Pipe, coolant, engine outlet               |   |               | B132K0020F         | 1          |
| 10         | Pipe, coolant, engine inlet                |   |               | B132K0021F         | 1          |
| 11         | Pipe, coolant front, LH                    |   |               | B132K4003F         | 1          |
| 12         | Pipe, coolant front, RH                    |   |               | B132K4004F         | 1          |
| 13         | Radiator                                   | Supplied without mounitng<br>brackets item 17 |               | C132K0011F         | 1          |
| 14         | Bracket, radiator mounting, lower          |   |               | B132K0024F         | 2          |
| 15         | Bracket, radiator mounting, LH             |   |               | B132K0025F         | 1          |
| 16         | Bracket, radiator mounting, RH             |   |               | B132K0026F         | 1          |

EVORA

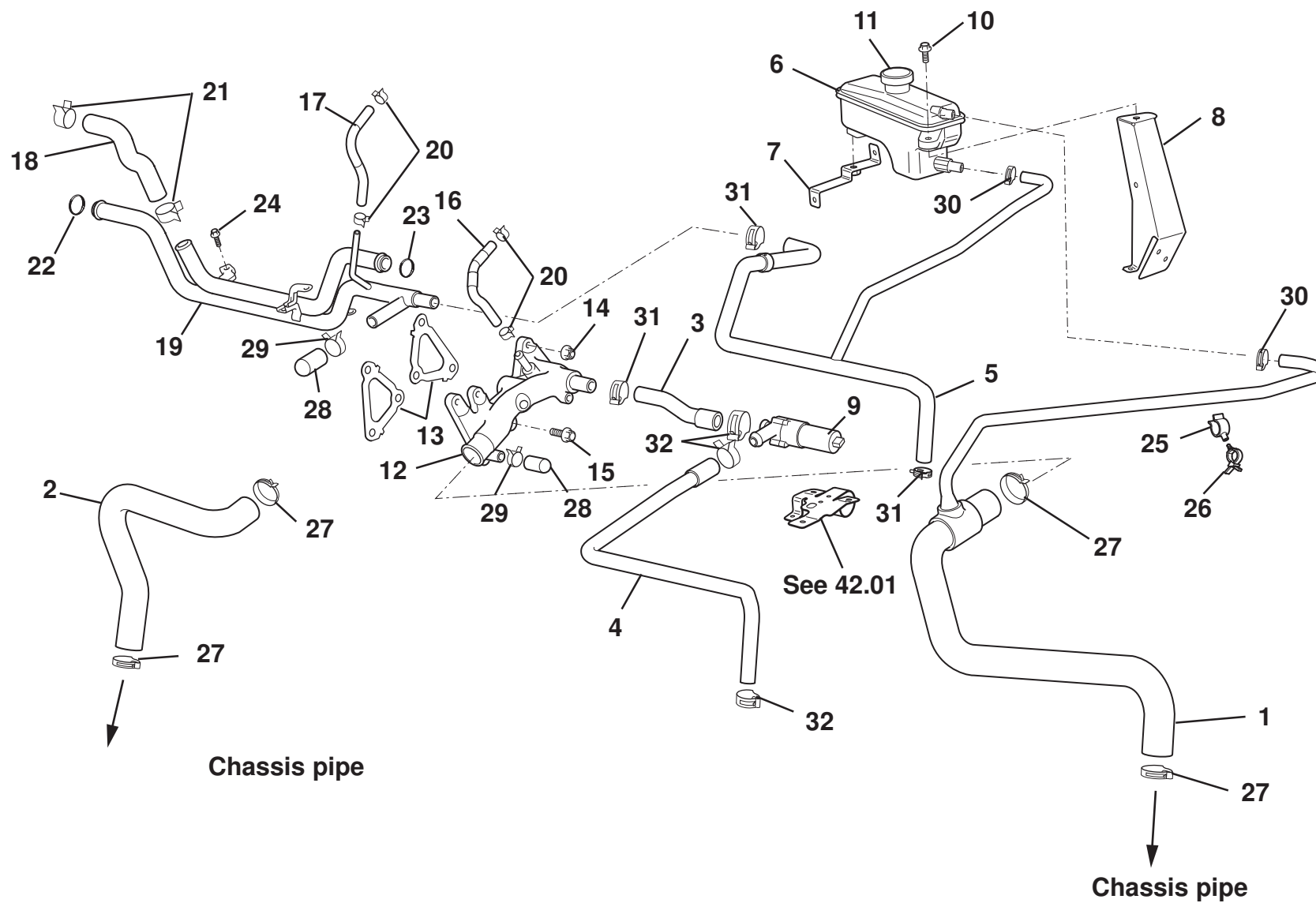
**Function Code 46.01 Engine Cooling System & Fan**

| <u>Dep</u> | <u>Part Description</u>                         | <u>Remarks</u>                    | <u>Option</u>  | <u>Part Number</u> | <u>Qty</u> |
|------------|---|-----------------------------------|----------------|--------------------|------------|
| 17         | Bracket, cooling pack upper & lower             |                                   |                | B132K0027F         | 2          |
| 18         | Fan Assembly, radiator cooling                  |                                   | B132K0012F R/B | C132K0012F         | 1          |
| 19         | Bush, radiator mounting                         |                                   |                | A132K6002F         | 4          |
| 20         | Seal Rad End Foam                               |                                   |                | B132B0073F         | 2          |
| 21         | Foam Cowling Support                            |                                   |                | B132B0074F         | 1          |
| 22         | Foam Cowling                                    |                                   |                | B132B0075F         | 2          |
| 23         | Foam, radiator sealing, lower                   |                                   |                | A132K0047F         | 1          |
| 24         | Support Foam, sill pipes vertical, front, LH    | Includes hole for oil cooler pipe | B132A0241F R/B | C132A0241F         | 1          |
| 24a        | Support Foam, sill pipes vertical, front, LH    |                                   | MY12           | A132A0455F         | 1          |
| 25         | Support Foam, sill pipes horizontal, front, LH  | Includes hole for oil cooler pipe | B132A0247F R/B | C132A0247F         | 1          |
| 25a        | Support Foam, sill pipes horizontal, front, LH  |                                   | MY12           | A132A0452F         | 1          |
| 26         | Support Foam, sill pipes horizontal, centre, LH | Includes hole for oil cooler pipe | B132A0123F R/B | C132A0123F         | 1          |
| 26a        | Support Foam, sill pipes horizontal, centre, LH |                                   | MY12           | A132A0454F         | 1          |
| 27         | Support Foam, sill pipes horizontal, rear, LH   | Includes hole for oil cooler pipe | B132A0125F R/B | C132A0125F         | 1          |
| 27a        | Support Foam, sill pipes horizontal, rear, LH   |                                   | MY12           | A132A0453F         | 1          |
| 28         | Support Foam, sill pipes vertical, rear, LH     |                                   |                | B132A0249F         | 1          |
| 28a        | Support Foam, sill pipes vertical, rear, LH     |                                   | MY12           | A132A0456F         | 1          |
| 29         | Support Foam, sill pipes vertical, front, RH    | Includes hole for oil cooler pipe | B132A0248F R/B | C132A0248F         | 1          |
| 29a        | Support Foam, sill pipes vertical, front, RH    |                                   | MY12           | A132A0460F         | 1          |
| 30         | Support Foam, sill pipes horizontal, front, RH  | Includes hole for oil cooler pipe | B132A0124F R/B | C132A0124F         | 1          |
| 30a        | Support Foam, sill pipes horizontal, front, RH  |                                   | MY12           | A132A0457F         | 1          |



**Function Code 46.01 Engine Cooling System & Fan**

| <u>Dep</u> | <u>Part Description</u>                         | <u>Remarks</u>                              | <u>Option</u>  | <u>Part Number</u> | <u>Qty</u> |
|------------|---|---|----------------|--------------------|------------|
| 31         | Support Foam, sill pipes horizontal, centre, RH | Includes hole for oil cooler pipe           | B132A0242F R/B | C132A0242F         | 1          |
| 31a        | Support Foam, sill pipes horizontal, centre, RH |   | MY12           | A132A0459F         | 1          |
| 32         | Support Foam, sill pipes horizontal, rear, RH   | Includes hole for oil cooler pipe           | B132A0126F R/B | C132A0126F         | 1          |
| 32a        | Support Foam, sill pipes horizontal, rear, RH   |   | MY12           | A132A0458F         | 1          |
| 33         | Support Foam, sill pipes vertical, rear, RH     | Includes hole for oil cooler pipe           | B132A0250F R/B | C132A0250F         | 1          |
| 33a        | Support Foam, sill pipes vertical, rear, RH     |   | MY12           | A132A0461F         | 1          |
| 34         | Clamp, support foam vertical, front             |   |                | B132A0254F         | 2          |
| 35         | Clamp, support foam horizontal, front           |   |                | B132A0251F         | 2          |
| 36         | Clamp, support foam horizontal, centre          |   |                | B132A0252F         | 2          |
| 37         | Clamp, support foam horizontal, rear            |   |                | B132A0253F         | 2          |
| 38         | Clamp, support foam vertical, rear              |   |                | B132A0255F         | 2          |
| 38a        | Clamp, support foam vertical, rear LH, with lug | Cars with oil coolers, All models from MY12 |                | A132A0450F         | 1          |
| 39         | Bolt M6 x 14 hex flg, bracket cooling pack      |   |                | A116W5233F         | 4          |
| 40         | Nut Nyloc M6, bracket cooling pack              |   |                | A132W3016F         | 6          |
| 41         | 'P' Clip  |   |                | A132W6008F         | 5          |
| 42         | Screw M6 x 16 hex flg                           |   |                | A132W5003F         | 4          |
| 42a        | Screw M6 x 20 skt btn                           |   |                | A132W5044F         | 1          |
| 42b        | Nut M6 hex flg                                  |   |                | A132W3004F         | 1          |
| 43         | Clamp Hose, 44mm                                |   |                | A116K6014F         | 8          |



**EVORA**  
46.02

*Updated 4th January 2016*



# Service Parts List



## Function Code 46.02 Engine Cooling System

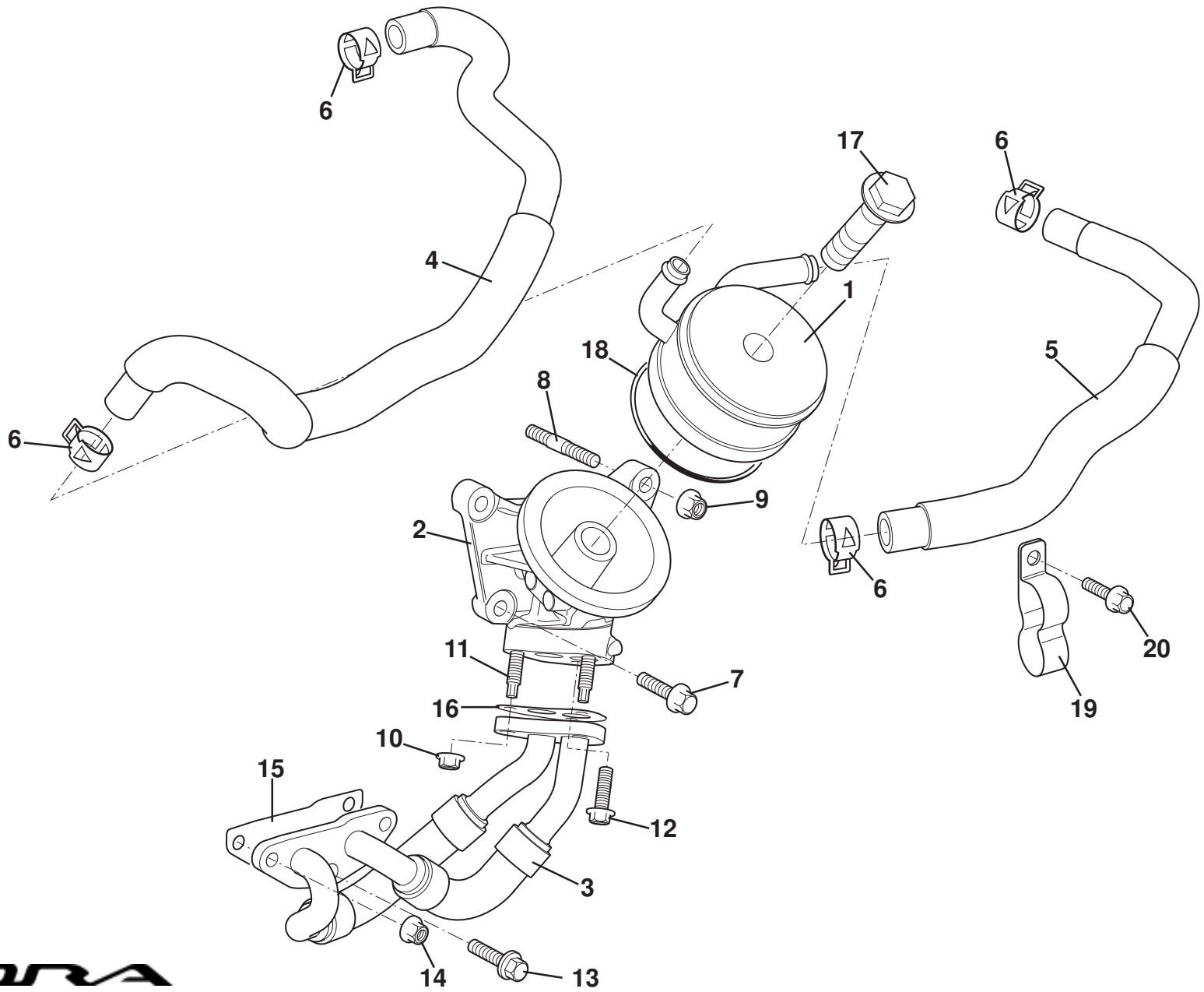
| <u>Dep</u> | <u>Part Description</u>                               | <u>Remarks</u>     | <u>Option</u> | <u>Part Number</u> | <u>Qty</u> |
|------------|---|--------------------|---------------|--------------------|------------|
| 01         | Hose, engine outlet                                   |                    |               | B132K0002F         | 1          |
| 02         | Hose, engine inlet                                    |                    |               | B132K0003F         | 1          |
| 03         | Hose, heater feed engine to re-circ pump              |                    |               | B132K0004F         | 1          |
| 04         | Hose, heater feed, re-circ. pump to heater            | Also see 18.05     |               | B132K0005F         | 1          |
| 04a        | Hose, heater feed, re-circ. pump to heater            | Also see 18.05     | Auto          | A132K0092F         | 1          |
| 05         | Hose, heater return                                   | Also see 18.05     |               | C132K0006F         | 1          |
| 05a        | Hose, heater return                                   | Also see 18.05     | Auto          | A132K0107F         | 1          |
| 06         | Tank Assembly, reserve, radiator pressure system      |                    |               | A132E6312S         | 1          |
| 07         | Bracket Assembly, header tank, right                  |                    |               | B132K0031F         | 1          |
| 08         | Bracket Assembly, header tank left                    |                    |               | C132K0008F         | 1          |
| 09         | Recirculation Pump                                    |                    |               | B117K0013F         | 1          |
| 10         | Screw, M6 x 16, hex. flg. hd., header tank to bracket |                    |               | A918W5208F         | 1          |
| 11         | Cap, header tank 108kPa                               |                    |               | A120E6341S         | 1          |
| 12         | Water Outlet  |                    |               | A132E6257S         | 1          |
| 13         | Gasket, water outlet to cylinder head                 |                    |               | A132E6259S         | 2          |
| 14         | Nut, flange, water outlet to head                     | For stud see 40.05 |               | A132E6473S         | 4          |
| 15         | Bolt, hex.flg. hd., water outlet to head              |                    |               | A132E6467S         | 2          |
| 16         | Hose, water by-pass No.2, outlet to throttle body     |                    |               | A132E6311S         | 1          |



---

**Function Code 46.02 Engine Cooling System**

| <u>Dep</u> | <u>Part Description</u>                                     | <u>Remarks</u> | <u>Option</u> | <u>Part Number</u> | <u>Qty</u> |
|------------|---|----------------|---------------|--------------------|------------|
| 17         | Hose, water by-pass No.3, throttle body to water inlet pipe |                |               | A132E6268S         | 1          |
| 18         | Hose, water by-pass No.1, water outlet to water inlet       |                |               | A132E6267S         | 1          |
| 19         | Pipe Assembly, water inlet                                  |                |               | A132E6269S         | 1          |
| 20         | Hose Clip, water by-pass No. 2 & No. 3                      |                |               | A132E6271S         | 4          |
| 21         | Hose Clip, water by-pass No. 1                              |                |               | A132E6270S         | 2          |
| 22         | 'O' Ring, water inlet pipe to water inlet housing           |                |               | A132E6273S         | 1          |
| 23         | O' Ring, water outlet housing to by-pass pipe               |                |               | A132E6272S         | 1          |
| 24         | Bolt, hex.flg. hd., water inlet pipe retention              |                |               | A132E6471S         | 2          |
| 25         | Clip Swivel 16mm, header tank overflow pipe                 |                |               | A082W6587F         | 1          |
| 26         | Clip Swivel 10mm, vaccum pipe                               |                |               | A089W6296F         | 1          |
| 27         | Clamp Hose, 44mm  |                |               | A116K6014F         | 4          |
| 28         | Blanking Cap  |                |               | A132E0080F         | 2          |
| 29         | Clip  |                |               | A132E6091H         | 2          |
| 30         | Hose Clamp, 17.7mm,   |                |               | A120W6739F         | 2          |
| 31         | Hose Clamp, 26mm  |                |               | A120W6776F         | 3          |
| 32         | Hose Clamp, 27mm  |                |               | A116K6016F         | 3          |



**EVORA**  
46.03

2009/02

# Service Parts List



## Function Code 46.03 Oil Cooler/Heat Exchanger & Pipes

| <u>Dep</u> | <u>Part Description</u>                               | <u>Remarks</u> | <u>Option</u>  | <u>Part Number</u> | <u>Qty</u> |
|------------|---|----------------|----------------|--------------------|------------|
| 01         | Heat Exchanger, oil cooling                           |                |                | A132E6076H         | 1          |
| 02         | Housing. heat exchanger                               |                |                | A132E6086H         | 1          |
| 03         | Hose Assembly, oil feed and return                    |                |                | A132E6085H         | 1          |
| 04         | Hose, coolant return                                  |                |                | A132E6511S         | 1          |
| 05         | Hose, coolant feed                                    |                |                | A132E0058S         | 1          |
| 06         | Hose Clip, hose retention                             |                |                | A132E6091H         | 4          |
| 07         | Screw, hex. flg. hd., housing to block                |                |                | A132E6081H         | 2          |
| 08         | Stud, housing to block                                |                |                | A132E6082H         | 1          |
| 09         | Nut, flange., housing to block                        |                |                | A132E6474S         | 1          |
| 10         | Nut, flange, hose assembly to housing                 |                |                | A132E6474S         | 3          |
| 11         | Stud, hose assembly to housing                        |                |                | A132E6116S         | 2          |
| 12         | Bolt M8 x 25, hex. flg. hd., hose assembly to housing |                |                | A132W5006F         | 1          |
| 13         | Bolt M8 x 25, hex. flg. hd., hose assembly to sump    |                | A132E6512S R/B | A132W5006F         | 1          |
| 14         | Nut, flange, hose assembly to sump                    |                |                | A132E6474S         | 2          |
| 15         | Gasket, hose assembly to sump                         |                |                | A132E0060S         | 1          |
| 16         | Gasket, hose assembly to housing                      |                |                | A132E6087H         | 1          |
| 17         | Bolt, hex. flg. hd., exchanger to housing             |                |                | A132K0396H         | 1          |
| 18         | 'O' Ring, exchanger to housing                        |                |                | A132E6088H         | 1          |

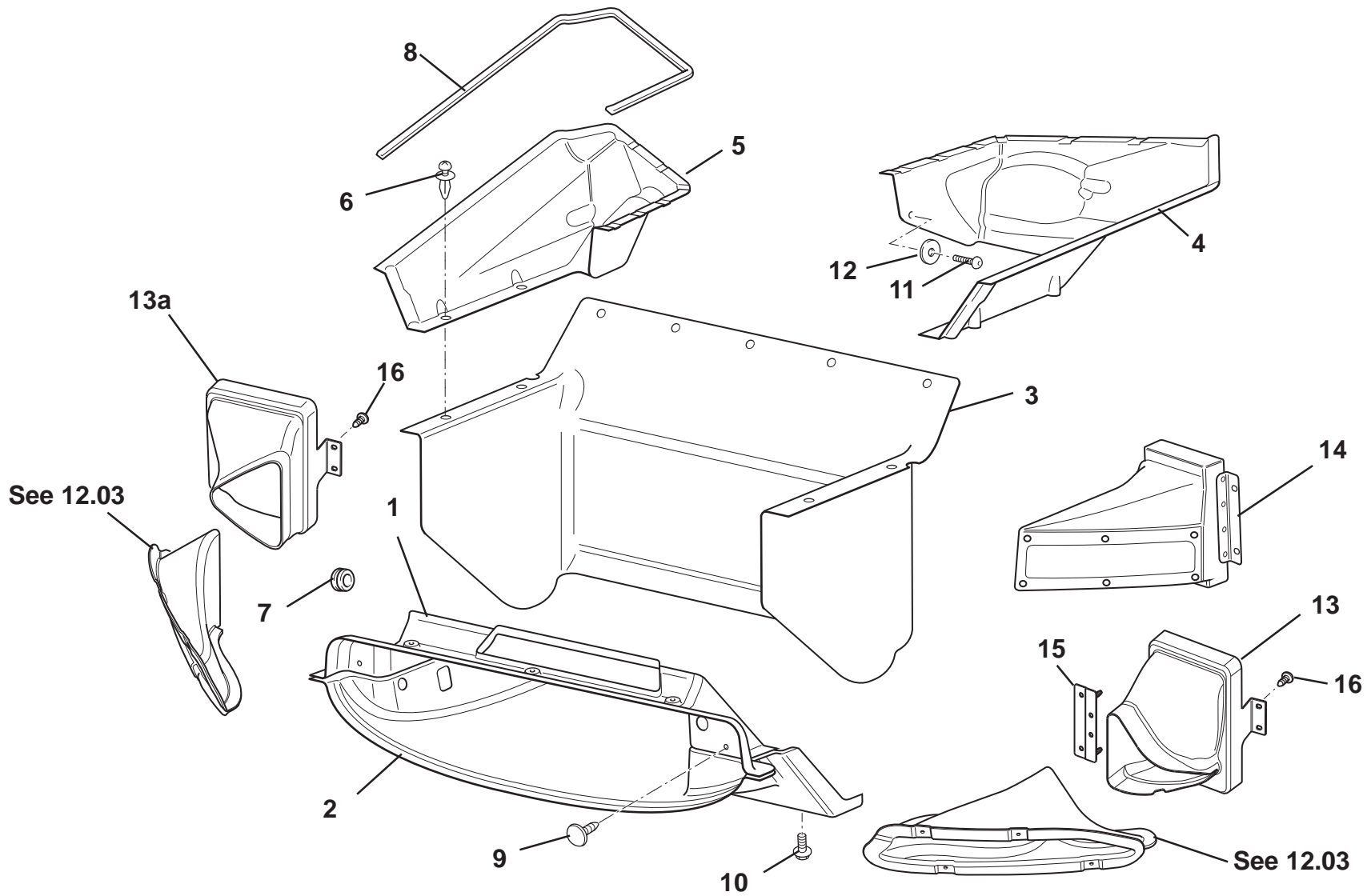


---

**Function Code 46.03 Oil Cooler/Heat Exchanger & Pipes**

| <u>Dep</u> | <u>Part Description</u>          | <u>Remarks</u> | <u>Option</u> | <u>Part Number</u> | <u>Qty</u> |
|------------|----------------------------------|----------------|---------------|--------------------|------------|
| 19         | Clamp, coolant hose              |                |               | A132E6092H         | 1          |
| 20         | Screw, hex. flg.hd., clamp fxing |                |               | A132E6471S         | 1          |

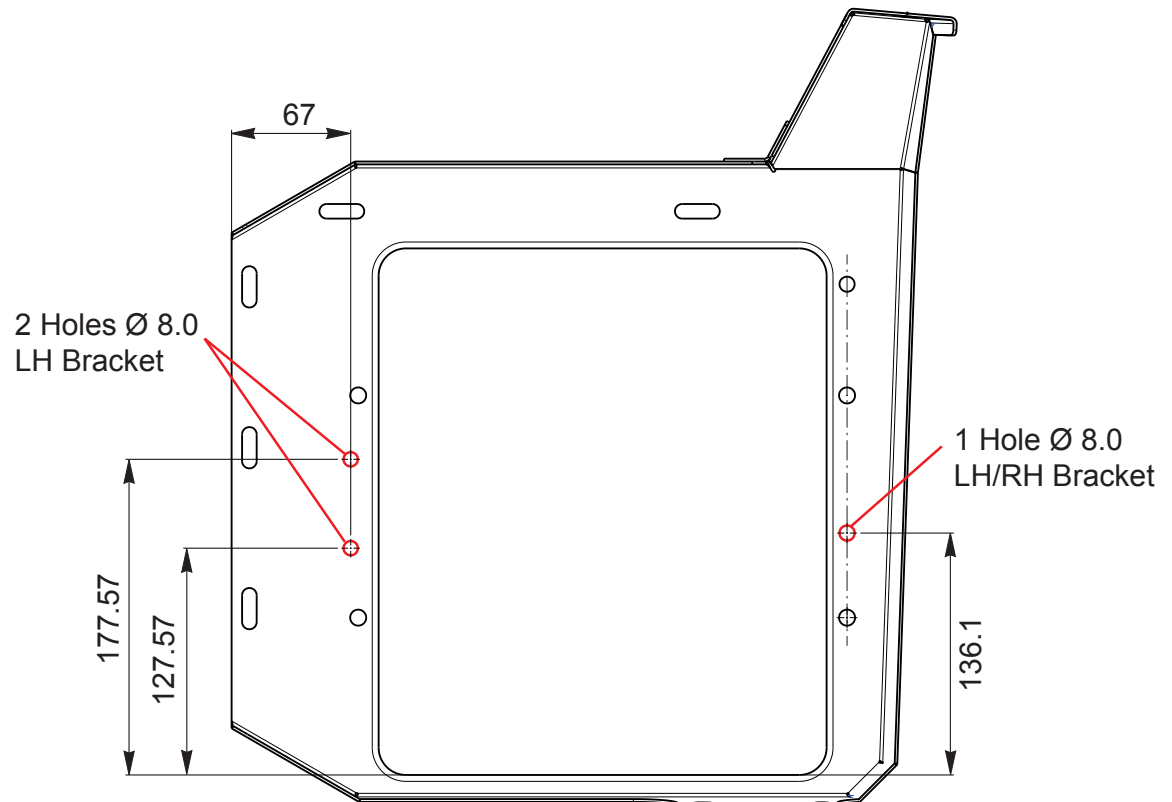
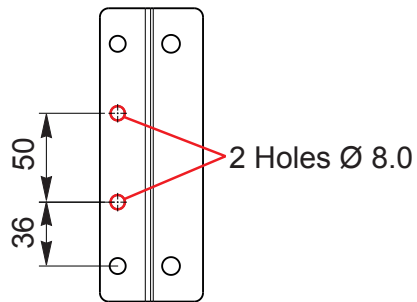
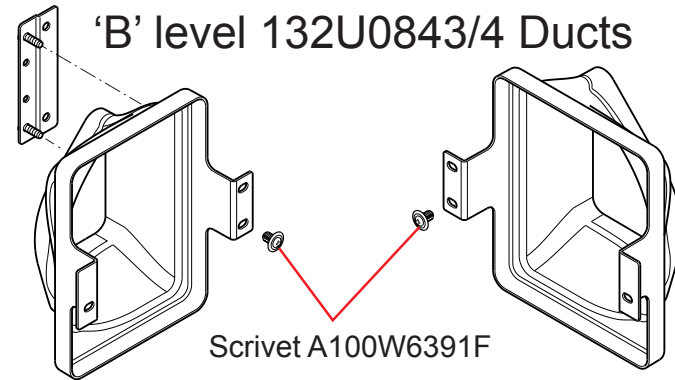
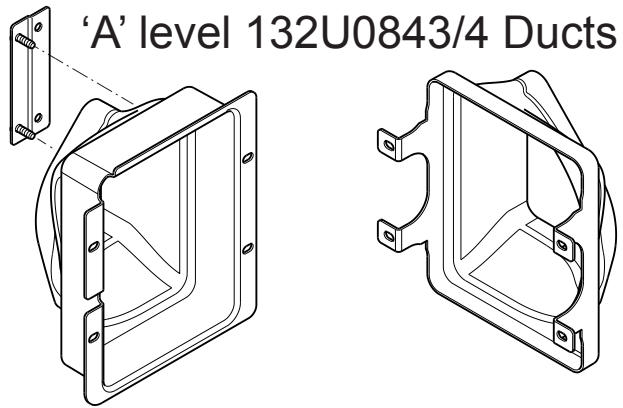
---



**EVORA**  
46.04

*Updated 1st April 2015*

Installing 'B' level 132U0843/4 Ducts Side Radiator to cars fitted with 'A' level 132U0843/4  
Modifications required to brackets also order Scrivet A100W6391F x3 per side



# Service Parts List

# EVORA



## Function Code 46.04 Front Ducts

| <u>Dep</u> | <u>Part Description</u>                   | <u>Remarks</u>             | <u>Option</u>                                | <u>Part Number</u> | <u>Qty</u> |
|------------|---|----------------------------|--|--------------------|------------|
| 01         | Duct, radiator intake, upper              |                            |  | C132U0032F         | 1          |
| 02         | Duct, radiator intake, lower              |                            |  | G132U0112F         | 1          |
| 02a        | Edge Clip, duct upper to duct lower       | Not illustrated            |  | A111W6568F         | 8          |
| 03         | Duct, radiator outlet                     |                            |  | B132U0037F         | 1          |
| 04         | Duct, radiator outlet, upper, LH          |                            |  | C132U4349F         | 1          |
| 05         | Duct, radiator outlet, upper, RH          |                            |  | C132U4350F         | 1          |
| 06         | Plastic Fastener, duct retention          |                            |  | A100W6481F         | 9          |
| 07         | Grommet, ambient temp sensor              |                            |  | A075U6043Z         | 1          |
| 08         | Self Adhesive Foam, 1metre, duct radiator | 2 metres required per side |  | A100B0431V         | 4m         |
| 09         | Button Firtree                            |                            |  | A132W6006F         | 2          |
| 10         | Screw M5 x 12 hex flg                     |                            |  | A132W5002F         | 2          |
| 11         | Screw M4 x 16                             |                            |  | B082W5141F         | 2          |
| 12         | Washer M4 x 19 x 1.5 s/s blk              |                            |  | B082W4107F         | 2          |
| 13         | Duct Side Radiator LH                     | Refer to LSL638            | MY12 Auto (NA & S/Charged)                   | A132U0843F         | 1          |
| 13a        | Duct Side Radiator RH                     | Refer to LSL638            | MY12 S/Charged (man & auto)                  | A132U0844F         | 1          |
| 14         | Duct, oil cooler, LH                      |                            | USA vin BH_11174 , all markets vin, BH_11178 | A132U4501F         | 1          |
| 14a        | Duct, oil cooler, RH                      |                            | USA vin BH_11174 , all markets vin, BH_11178 | A132U4502F         | 1          |

EVORA

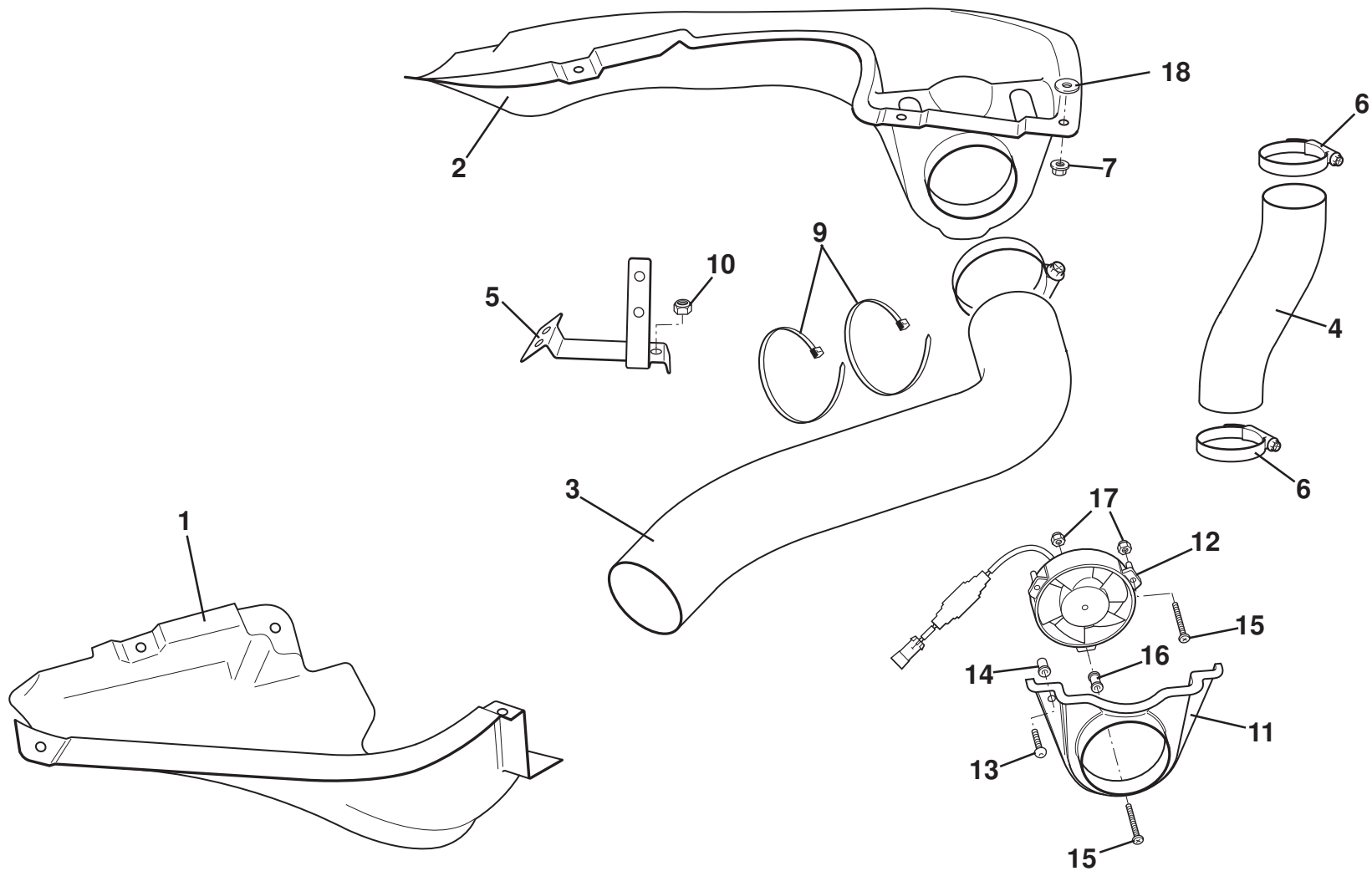


---

**Function Code 46.04 Front Ducts**

| <u>Dep</u> | <u>Part Description</u>         | <u>Remarks</u> | <u>Option</u>              | <u>Part Number</u> | <u>Qty</u> |
|------------|---------------------------------|----------------|----------------------------|--------------------|------------|
| 15         | Bracket Assembly, duct mounting |                | MY12 Auto (NA & S/Charged) | <b>A132U0849F</b>  | 1          |
| 16         | Scrivet, duct to bracket        |                |                            | <b>A100W6391F</b>  | 6          |

---



**EVORA**  
46.05

*Updated 21st September 2010*

# Service Parts List

# EVORA



## Function Code 46.05 Engine Bay Cooling, Ducts & Trunking

| <u>Dep</u> | <u>Part Description</u>                           | <u>Remarks</u>                     | <u>Option</u>        | <u>Part Number</u> | <u>Qty</u> |
|------------|---|------------------------------------|----------------------|--------------------|------------|
| 01         | Duct, side intake, LH                             |                                    |                      | B132U4091F         | 1          |
| 02         | Duct, side intake, RH                             |                                    |                      | B132U4092F         | 1          |
| 02a        | Duct, side intake, with fan, RH                   |                                    | Hot territories only | A132U0497F         | 1          |
| 03         | Hose, engine bay cooling                          |                                    |                      | A132E0031F         | 1          |
| 04         | Duct, flexible, subrame vent to exit grille, RH   |                                    |                      | B132S0038F         | 1          |
| 05         | Bracket, hose supporting                          |                                    |                      | A132E0032F         | 1          |
| 06         | Hose Clip, 50-70mm, duct retention                |                                    |                      | A132W6027F         | 2          |
| 07         | Nyloc Nut, M5, flange, ducts to clamshell         |                                    |                      | A132W3000F         | 10         |
| 08         | Hose Clip, 90-110mm, hose to duct RH              |                                    |                      | A127W6888F         | 1          |
| 09         | Cable Tie, hose to bracket                        |                                    |                      | A075W6038Z         | 2          |
| 10         | Nyloc Nut, M6, bracket fixing                     |                                    |                      | A075W3009F         | 2          |
| 11         | Cowl, engine bay fan                              | Used with item 2a                  | Hot territories only | A132U0498F         | 1          |
| 12         | Fan, engine bay cooling                           | Used with item 2a                  | Hot territories only | A132K0054F         | 1          |
| 13         | Screw, M5 x 16, button hd. black, cowling to duct |                                    |                      | A111W7156F         | 2          |
| 14         | Rawlnut, M5, cowl to duct                         |                                    |                      | A075W6074F         | 2          |
| 15         | Screw, M4 x 35, pan pozi, fan & cowl to duct      | Thro' cowl + fan in lower position |                      | A132W5031F         | 3          |
| 16         | Spacer Bush, nylon, fan to duct                   | In lower position                  |                      | A132W6050F         | 1          |
| 17         | Nyloc Nut, M4, fan & cowl to duct                 |                                    |                      | A075W3049F         | 3          |

Function Code: 46.05, Page: 1

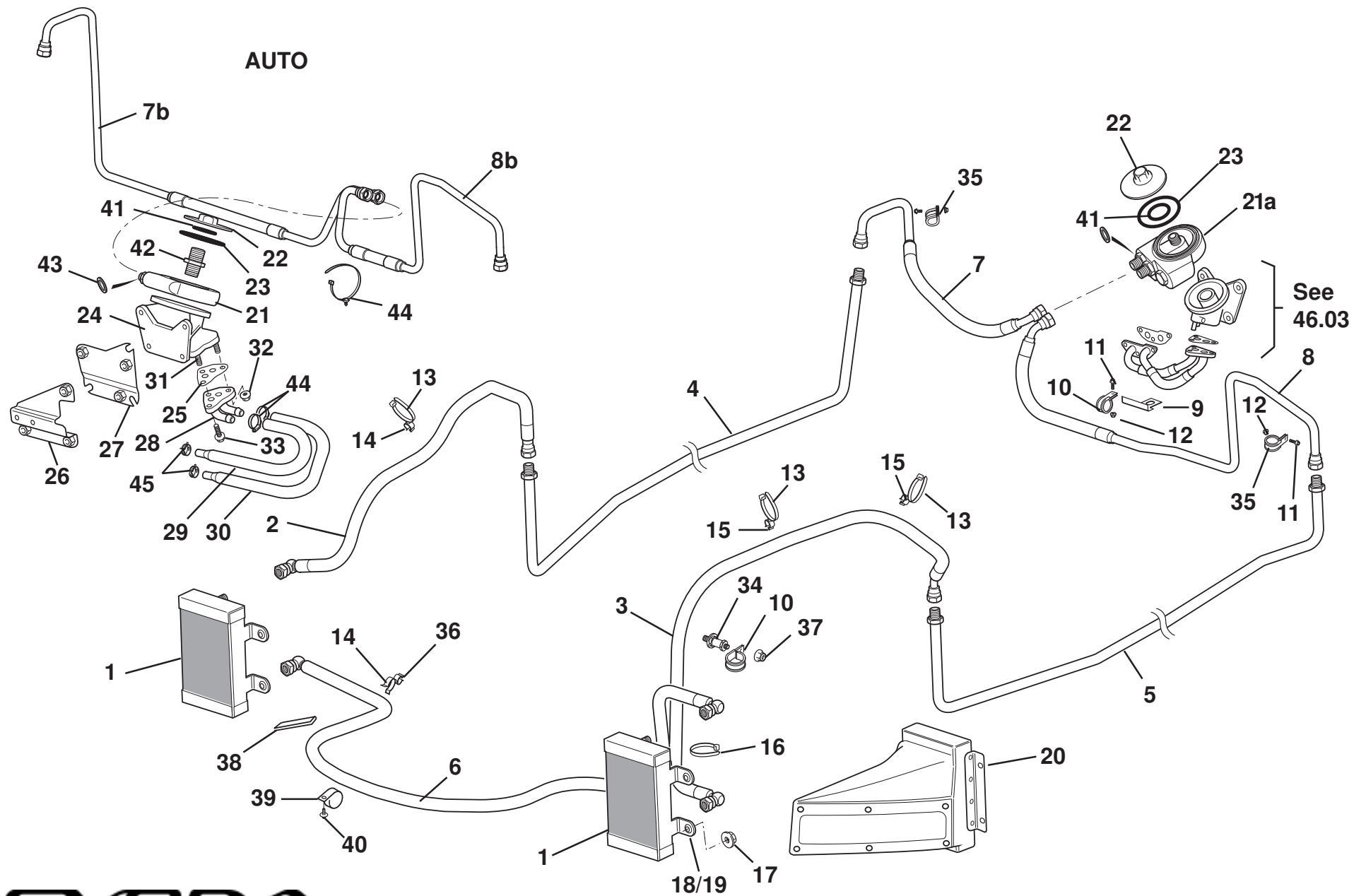
Updated 28th April 2011

---

**Function Code 46.05 Engine Bay Cooling, Ducts & Trunking**

| <u>Dep</u> | <u>Part Description</u>   | <u>Remarks</u> | <u>Option</u>  | <u>Part Number</u> | <u>Qty</u> |
|------------|---------------------------|----------------|----------------|--------------------|------------|
| 18         | Washer, neoprene 25mm 8mm |                | From vin 10830 | A111U6055F         | 6          |

---

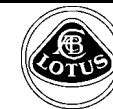


**EVORA**

**46.06**

*Updated 3rd February 2014*

# Service Parts List



## Function Code 46.06 Twin Oil Cooler System Engine / Transmission

| <u>Dep</u> | <u>Part Description</u>                    | <u>Remarks</u>                | <u>Option</u>                   | <u>Part Number</u> | <u>Qty</u> |
|------------|--|-------------------------------|---------------------------------|--------------------|------------|
| 01         | Oil Cooler                                 |                               | Up to 11MY* S/Charged man, Auto | B132K0071F         | 2          |
| 02         | Hose Assembly, cooler return               |                               | Up to 11MY*                     | A132K0166S         | 1          |
| 03         | Hose Assembly, cooler feed                 |                               | Up to 11MY*                     | A132K0167S         | 1          |
| 04         | Pipe Assembly, side return                 |                               | Up to 11MY*                     | B132K0093F         | 1          |
| 05         | Pipe Assembly, side feed                   |                               | Up to 11MY*                     | B132K0090F         | 1          |
| 06         | Hose Assembly, cooler transfer             |                               | Up to 11MY*                     | A132K0168S         | 1          |
| 07         | Hose Assembly, oilstat to side return      | Evora S BH_11703 onwards*     | Up to 11MY* S/Charged man       | A132K0170S         | 1          |
| 07a        | Hose Assembly, oilstat to side return      | Evora S BH_11383 to BH_11702* | Up to 11MY* S/Charged man       | A132K0169S         | 1          |
| 07b        | Hose Assembly, oilstat to side return      |                               | Up to 11MY** Auto NA            | A132F0155F         | 1          |
| 08         | Hose Assembly, oilstat to side feed        | Evora S BH_11703 onwards*     | Up to 11MY* S/Charged man       | A132K0153S         | 1          |
| 08a        | Hose Assembly, oilstat to side feed        | Evora S BH_11383 to BH_11702* | Up to 11MY* S/Charged man       | A132K0157S         | 1          |
| 08b        | Hose Assembly, oilstat to side feed        |                               | Up to 11MY** Auto NA            | A132F0151F         | 1          |
| 09         | Bracket, hose support                      |                               | Up to 11MY*                     | B132K0106F         | 1          |
| 10         | Pipe Clip                                  |                               |                                 | A082W6579F         | 2          |
| 11         | Screw, M6 x 16, hex. flg. hd., clip fixing |                               |                                 | A132W5003F         | 3          |
| 12         | Nut, M6 flange, clip fixing                |                               |                                 | A132W3004F         | 4          |
| 13         | Cable Tie, swivel clip type                |                               |                                 | A082W6324F         | 3          |
| 14         | Swivel Clip, cable tie                     |                               |                                 | A089W6287F         | 2          |



**Function Code 46.06 Twin Oil Cooler System Engine / Transmission**

| <u>Dep</u> | <u>Part Description</u>                   | <u>Remarks</u>           | <u>Option</u>                                | <u>Part Number</u> | <u>Qty</u> |
|------------|---|--------------------------|--|--------------------|------------|
| 15         | Swivel Clip, cable tie                    |                          |  | A082W6587F         | 2          |
| 16         | Cable Tie, hose retention                 |                          |  | B075W6045Z         | 1          |
| 17         | Nut, M8                                   |                          |  | A132W3006F         | 8          |
| 18         | Sleeve, cooler                            |                          |  | A132K6006F         | 8          |
| 19         | Bush, cooler                              |                          |  | A132K6005F         | 8          |
| 20         | Duct, oil cooler, LH                      |                          | USA vin BH_11174 , all markets vin, BH_11178 | A132U4501F         | 1          |
| 20a        | Duct, oil cooler, RH                      |                          | USA vin BH_11174 , all markets vin, BH_11178 | A132U4502F         | 1          |
| 21         | Sandwich Plate Assembly , with thermostat | Transmission oil coolers | Auto NA                                      | B120K6001F         | 1          |
| 21a        | Sandwich Plate Assembly , with thermostat | Engine oil coolers       | S/Charged man                                | A132K6008F         | 1          |
| 22         | Cap, sandwich plate                       |                          |  | A132E0068F         | 1          |
| 23         | 'O' Ring, sandwich plate outer            |                          |  | A132E0070F         | 1          |
| 24         | Bracket, oil cooler                       |                          | Up to 11MY*                                  | A132E6086H         | 1          |
| 25         | Gasket, oil cooler                        |                          | Auto NA                                      | A132E6087H         | 1          |
| 26         | Bracket Assembly                          |                          | Auto NA                                      | A132F0120F         | 1          |
| 27         | Plate Assembly                            |                          | Auto NA                                      | A132F0122F         | 1          |
| 28         | Adaptor, oil cooler hoses                 |                          | Auto NA                                      | A132F0119F         | 1          |
| 29         | Hose, auto oil cooler feed                |                          | Auto NA                                      | A132F0124F         | 1          |
| 30         | Hose, auto oil cooler return              |                          | Auto NA                                      | A132F0125F         | 1          |
| 31         | Stud, bracket assembly                    |                          | Auto NA                                      | A132E6116S         | 2          |



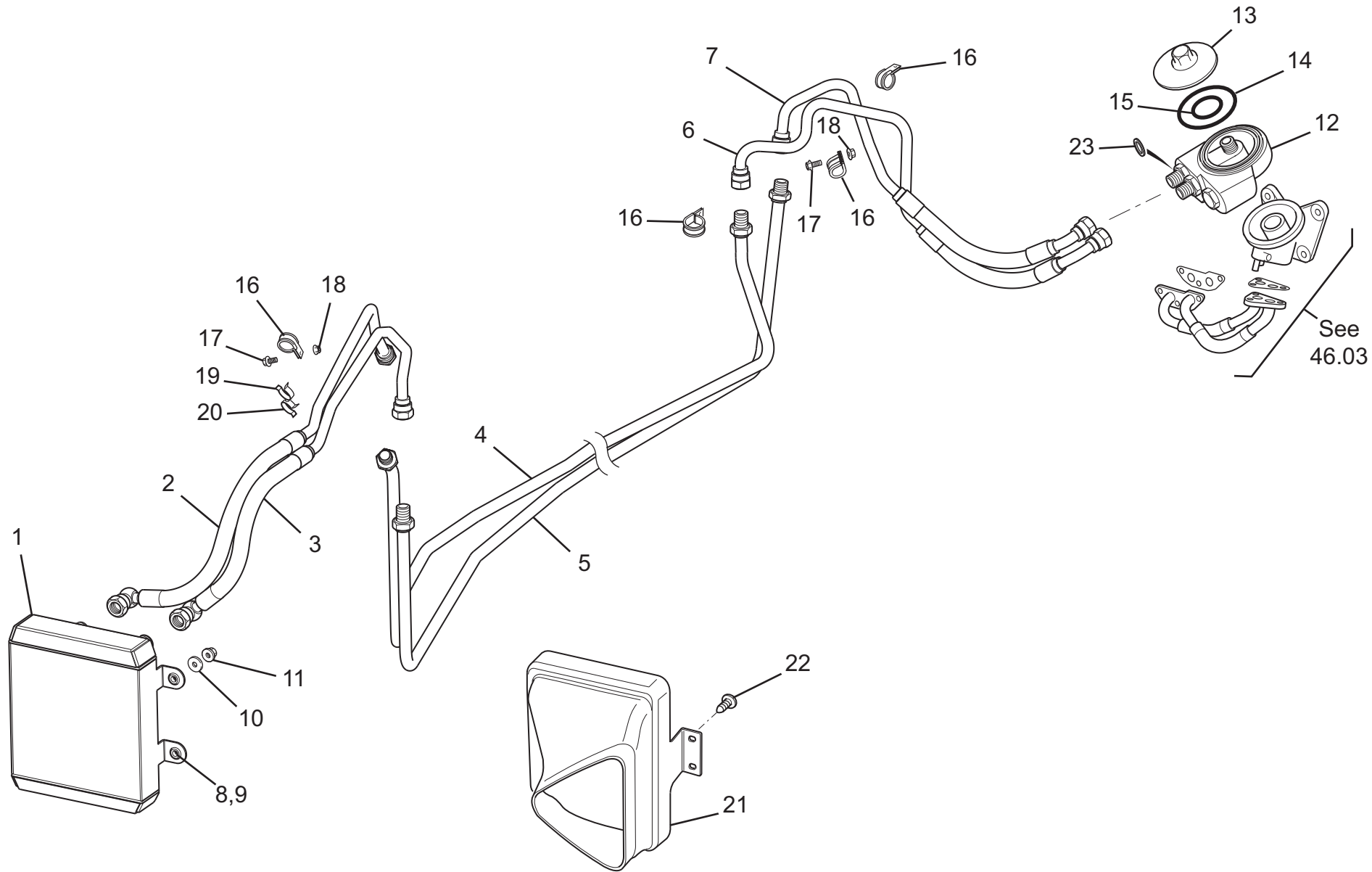
**Function Code 46.06 Twin Oil Cooler System Engine / Transmission**

| <u>Dep</u> | <u>Part Description</u>                    | <u>Remarks</u>                       | <u>Option</u> | <u>Part Number</u> | <u>Qty</u> |
|------------|--|--------------------------------------|---------------|--------------------|------------|
| 32         | Nut, flange, bracket assembly              |                                      | Auto NA       | A132E6474S         | 2          |
| 33         | Bolt M8 x 25, hex. flg. hd., hose assembly |                                      | Auto NA       | A132W5013F         | 1          |
| 34         | Bobbin                                     |                                      |               | A132P6004F         | 1          |
| 35         | Pipe Clip                                  |                                      |               | A111W6666F         | 2          |
| 36         | Cable Tie, swivel clip type                |                                      |               | A082W6296F         | 1          |
| 37         | Nut M6, hex flg                            |                                      |               | A132W3004F         | 1          |
| 38         | Rubber Edge Finisher                       | Fitted to lower edge bumper brackets |               | A117B6010V         | 2          |
| 39         | 'P' Clip open, transfer hose, intake       |                                      |               | A075W6230Z         | 3          |
| 40         | 'R' Lok expansion Rivet                    |                                      |               | A132W6070F         | 3          |
| 41         | 'O' Ring, sandwich plate inner             |                                      |               | A132E0071F         | 1          |
| 42         | Tube, threaded                             |                                      | Auto NA       | A132E0069F         | 1          |
| 43         | Bonded Seal, sandwich plate                |                                      |               | A120K6013S         | 2          |
| 44         | Firtree Cable Tie Block                    |                                      |               | A132W6060F         | 3          |
| 45         | Hose Clamp                                 |                                      |               | A120W6738F         | 2          |
| 46         | Hose Clip                                  |                                      |               | A079K6018F         | 2          |

\*Please refer to Service Bulletin  
2013/03R & 2014/02R

\*\*For 12MY on see relevant  
section for seperate engine or  
transmission coolers





**EVORA**  
**46.07**

*Updated 2nd June 2014*

# Service Parts List



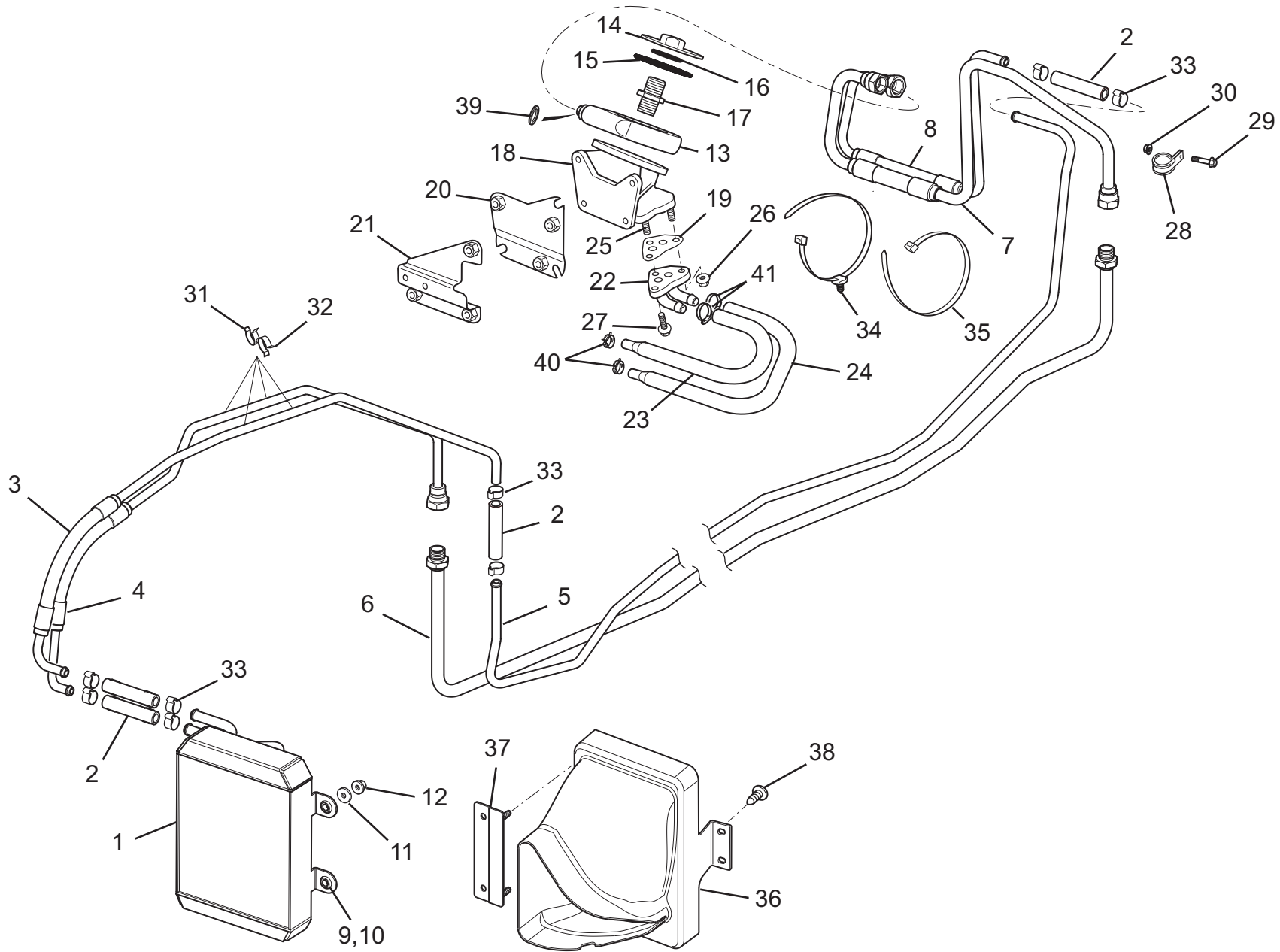
## Function Code 46.07 Single Oil Cooler System Engine

| <u>Dep</u> | <u>Part Description</u>                         | <u>Remarks</u> | <u>Option</u>               | <u>Part Number</u> | <u>Qty</u> |
|------------|---|----------------|-----------------------------|--------------------|------------|
| 01         | Oil Cooler Assembly, engine                     |                | MY12 S/Charged (man & auto) | A132K0124F         | 1          |
| 02         | Hose Assembly, engine cooler ,oil feed          |                | MY12 S/Charged (man & auto) | A132K0128F         | 1          |
| 03         | Hose Assembly, engine cooler, oil return        |                | MY12 S/Charged (man & auto) | A132K0144F         | 1          |
| 04         | Side Pipe Assembly, oil feed                    |                | MY12 S/Charged (man & auto) | A132K0126F         | 1          |
| 05         | Side Pipe Assembly, oil return                  |                | MY12 S/Charged (man & auto) | B132K0093F         | 1          |
| 06         | Hose Assembly, oilstat to side pipe, oil feed   |                | MY12 S/Charged (man & auto) | A132K0135F         | 1          |
| 07         | Hose Assembly, oilstat to side pipe, oil return |                | MY12 S/Charged (man & auto) | A132K0148F         | 1          |
| 08         | Bush Mounting, oil cooler mounting              |                |                             | A132K6005F         | 4          |
| 09         | Sleeve, compression limit, cooler mounting      |                |                             | A132K6006F         | 4          |
| 10         | Washer Flat M8 x 20.5 x 1.4                     |                |                             | A082W4165F         | 4          |
| 11         | Nut M8 hex                                      |                |                             | A075W3021Z         | 4          |
| 12         | Sandwich Plate Assemby , with thermostat        |                | MY12 S/Charged (man & auto) | A132K6008F         | 1          |
| 13         | Cap, sandwich plate                             |                |                             | A132E0068F         | 1          |
| 14         | 'O' Ring, sandwich plate outer                  |                |                             | A132E0070F         | 1          |
| 15         | 'O' Ring, sandwich plate inner                  |                |                             | A132E0071F         | 1          |
| 16         | 'P' Clip  |                |                             | A111W6666F         | 4          |
| 17         | Screw M6 x 16 hex flg                           |                |                             | A132W5003F         | 2          |
| 18         | Nut M6 hex flg                                  |                |                             | A117W3180F         | 2          |

---

**Function Code 46.07 Single Oil Cooler System Engine**

| <u>Dep</u> | <u>Part Description</u>     | <u>Remarks</u>                   | <u>Option</u>               | <u>Part Number</u> | <u>Qty</u> |
|------------|-----------------------------|----------------------------------|-----------------------------|--------------------|------------|
| 19         | Clip Swivel                 |                                  |                             | A082W6587F         | 1          |
| 20         | Clip Swivel 16mm            |                                  |                             | A132W6091F         | 1          |
| 21         | Duct Side Radiator RH       | Refer to LSL638 in section 46.04 | MY12 S/Charged (man & auto) | B132U0844F         | 1          |
| 22         | Scrivet, duct to bracket    |                                  |                             | A100W6391F         | 3          |
| 23         | Bonded Seal, sandwich plate |                                  |                             | A120K6013S         | 2          |



**EVORA**  
46.08

*Updated 3rd February 2014*

# Service Parts List

# EVORA



## Function Code 46.08 Single Oil Cooler System Transmission

| <u>Dep</u> | <u>Part Description</u>                        | <u>Remarks</u> | <u>Option</u>              | <u>Part Number</u> | <u>Qty</u> |
|------------|--|----------------|----------------------------|--------------------|------------|
| 01         | Oil Cooler Assembly, transmission              |                | MY12 Auto (NA & S/Charged) | A132F0148F         | 1          |
| 02         | Hose Link, oil cooler                          |                | MY12 Auto (NA & S/Charged) | B132F0186F         | 4          |
| 03         | Hose Assembly, transmission oil cooler, return |                | MY12 Auto (NA & S/Charged) | B132F0161F         | 1          |
| 04         | Hose Assembly, transmission oil cooler, feed   |                | MY12 Auto (NA & S/Charged) | B132F0162F         | 1          |
| 05         | Side Pipe Assembly, oil return                 |                | MY12 Auto (NA & S/Charged) | A132F0159F         | 1          |
| 06         | Side Pipe Assembly, oil feed                   |                | MY12 Auto (NA & S/Charged) | B132K0090F         | 1          |
| 07         | Hose Assembly, oilstat to side pipe, oil feed  |                | MY12 Auto (NA & S/Charged) | A132F0211F         | 1          |
| 08         | Hose Assembly Rear, oil return                 |                | MY12 Auto (NA & S/Charged) | B132F0181F         | 1          |
| 09         | Bush Mounting, oil cooler mounting             |                |                            | A132K6005F         | 4          |
| 10         | Sleeve, compression limit, cooler mounting     |                |                            | A132K6006F         | 4          |
| 11         | Washer Flat M8 x 20.5 x 1.4                    |                |                            | A082W4165F         | 4          |
| 12         | Nut M8 hex                                     |                |                            | A075W3021Z         | 4          |
| 13         | Sandwich Plate Assembly , with thermostat      |                | MY12 Auto (NA & S/Charged) | B120K6001F         | 1          |
| 14         | Cap, sandwich plate                            |                |                            | A132E0068F         | 1          |
| 15         | 'O' Ring, sandwich plate outer                 |                |                            | A132E0070F         | 1          |
| 16         | 'O' Ring, sandwich plate inner                 |                |                            | A132E0071F         | 1          |
| 17         | Tube, threaded                                 |                |                            | A132E0069F         | 1          |
| 18         | Bracket, oil cooler                            |                | MY12 Auto (NA & S/Charged) | A132E6086H         | 1          |

EVORA

**Function Code 46.08 Single Oil Cooler System Transmission**

| <u>Dep</u> | <u>Part Description</u>                    | <u>Remarks</u>                   | <u>Option</u>              | <u>Part Number</u> | <u>Qty</u> |
|------------|--|----------------------------------|----------------------------|--------------------|------------|
| 19         | Gasket, oil cooler                         |                                  |                            | A132E6087H         | 1          |
| 20         | Bracket Assembly                           |                                  |                            | A132F0120F         | 1          |
| 21         | Plate Assembly                             |                                  | MY12 Auto (NA & S/Charged) | A132F0122F         | 1          |
| 22         | Adaptor, oil cooler hoses                  |                                  | MY12 Auto (NA & S/Charged) | A132F0119F         | 1          |
| 23         | Hose, auto oil cooler feed                 |                                  | MY12 Auto (NA & S/Charged) | A132F0124F         | 1          |
| 24         | Hose, auto oil cooler return               |                                  | MY12 Auto (NA & S/Charged) | A132F0125F         | 1          |
| 25         | Stud, bracket assembly                     |                                  |                            | A132E6116S         | 2          |
| 26         | Nut, flange, bracket assembly              |                                  |                            | A132E6474S         | 2          |
| 27         | Bolt M8 x 25, hex. flg. hd., hose assembly |                                  |                            | A132W5013F         | 1          |
| 28         | 'P' Clip                                   |                                  |                            | A111W6666F         | 1          |
| 29         | Screw M6 x 16 hex flg                      |                                  |                            | A132W5003F         | 1          |
| 30         | Nut M6 hex flg                             |                                  |                            | A117W3180F         | 1          |
| 31         | Clip Pipe                                  |                                  |                            | A132W6047F         | 4          |
| 32         | Clip Swivel 16mm                           |                                  |                            | A132W6091F         | 4          |
| 33         | Mubea Clip 19mm                            |                                  |                            | A120W6894F         | 8          |
| 34         | Firtree Cable Tie Block                    |                                  |                            | A132W6060F         | 2          |
| 35         | Tie Wrap                                   |                                  |                            | A075W6038Z         | 2          |
| 36         | Duct Side Radiator LH                      | Refer to LSL638 in section 46.04 | MY12 Auto (NA & S/Charged) | B132U0843F         | 1          |
| 37         | Bracket Assembly, duct mounting            |                                  | MY12 Auto (NA & S/Charged) | B132U0849F         | 1          |
| 38         | Scrivet, duct to bracket                   |                                  |                            | A100W6391F         | 3          |
| 39         | Bonded Seal, sandwich plate                |                                  |                            | A120K6013S         | 2          |



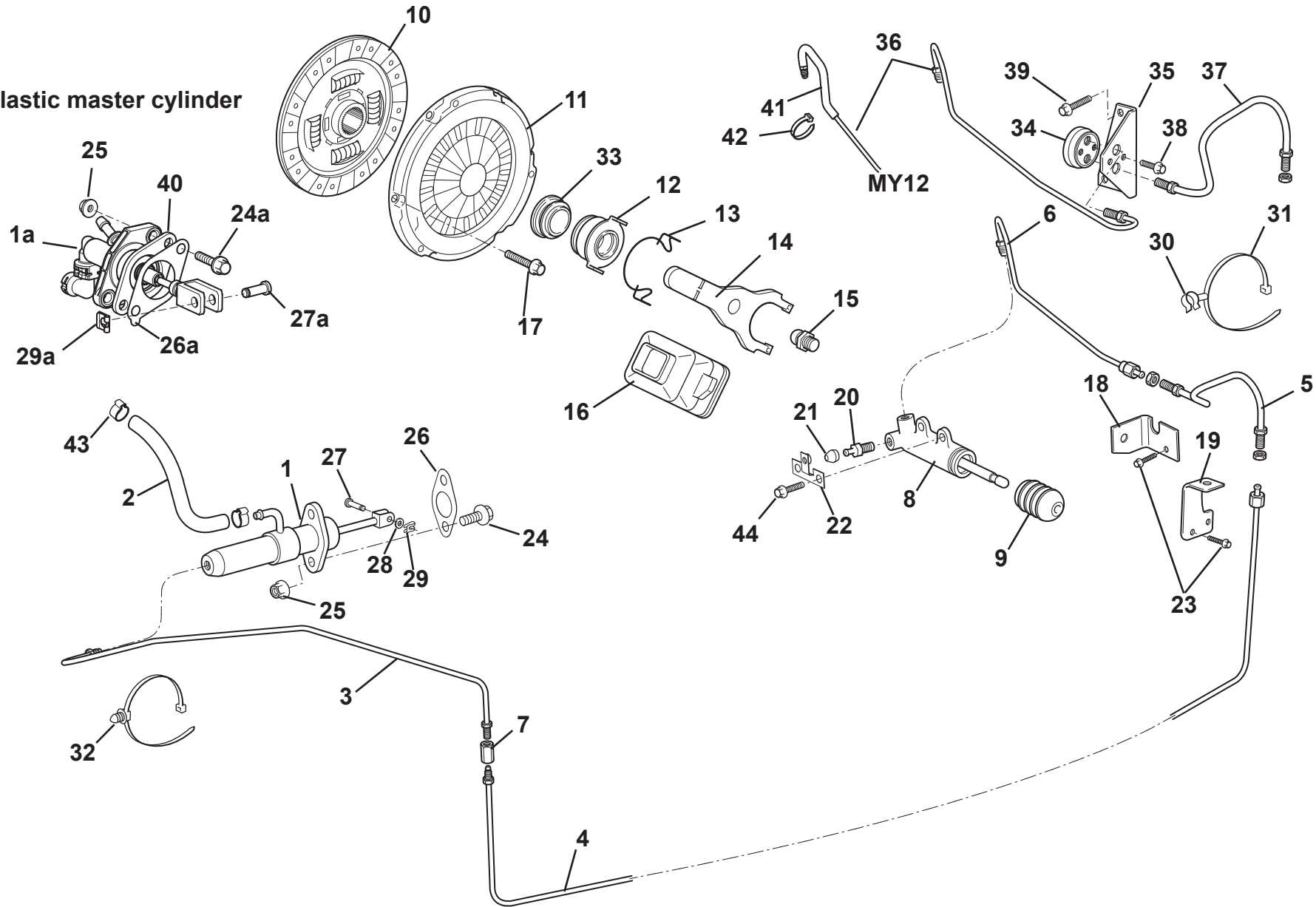
---

**Function Code 46.08 Single Oil Cooler System Transmission**

| <u>Dep</u> | <u>Part Description</u> | <u>Remarks</u> | <u>Option</u> | <u>Part Number</u> | <u>Qty</u> |
|------------|-------------------------|----------------|---------------|--------------------|------------|
| 40         | Hose Clamp              |                |               | A120W6738F         | 2          |
| 41         | Hose Clip               |                |               | A079K6018F         | 2          |

---

Plastic master cylinder

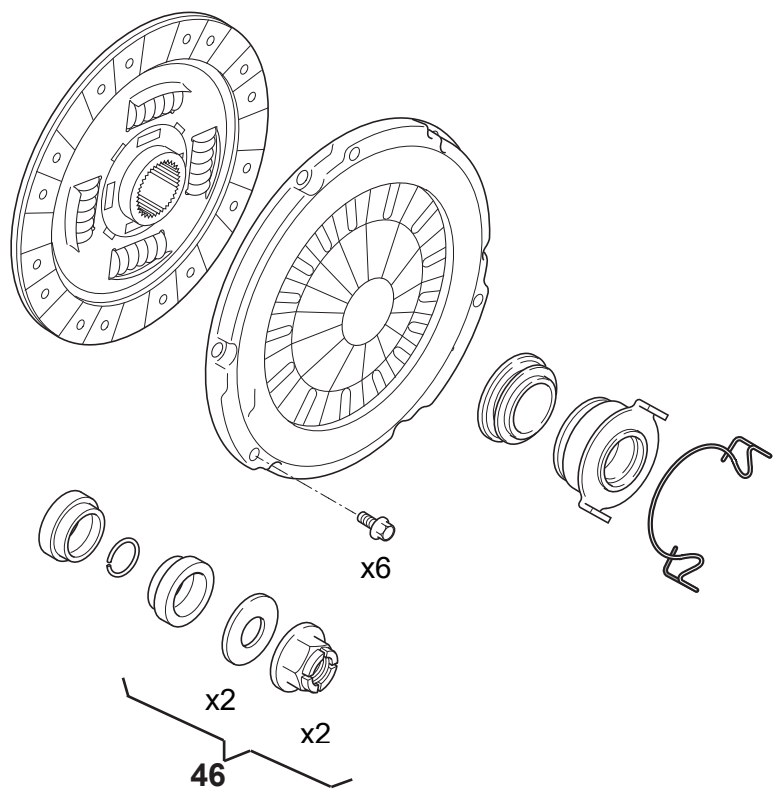


**EVORA**

47.01 page 1

Updated 14th August 2020





**EVORA**

47.01 page 2

*Updated 14th August 2020*

# Service Parts List

# EVORA



## Function Code 47.01 Clutch & Release Mechanism

| <u>Dep</u> | <u>Part Description</u>                 | <u>Remarks</u>   | <u>Option</u>          | <u>Part Number</u> | <u>Qty</u> |
|------------|---|--|------------------------|--------------------|------------|
| 01         | Master Cylinder, clutch                 | Metal  | *Up to VIN (see below) | B132J6009F         | 1          |
| 01a        | Master Cylinder, clutch                 | Black plastic  | *From VIN (see below)  | A132Q6017S         | 1          |
| 02         | Hose, reservoir to master cylinder, LHD | For reservoir, see 33.03                               |                        | A132J0308V         | 525mm      |
| 02a        | Hose, reservoir to master cylinder, RHD | For reservoir, see 33.03                               |                        | A132J0308V         | 256mm      |
| 03         | Clutch Pipe Assembly, front, LHD        | Use with item 01                                       |                        | B132Q0007F         | 1          |
| 03a        | Clutch Pipe Assembly, front, RHD        | Use with item 01                                       |                        | B132Q0006F         | 1          |
| 03b        | Clutch Pipe Assembly, front, LHD        | Use with item 01a. Quick connector to master cylinder. |                        | A132Q0032F         | 1          |
| 03c        | Clutch Pipe Assembly, front, RHD        | Use with item 01a. Quick connector to master cylinder  |                        | A132Q0033F         | 1          |
| 04         | Clutch Pipe Assembly, side              |  |                        | B132Q0003F         | 1          |
| 05         | Clutch Hose Assembly, side to rear      |  |                        | B132Q0005F         | 1          |
| 06         | Clutch Pipe Assembly, rear              |  |                        | B132Q0004F         | 1          |
| 07         | Connector Tube                          |  |                        | A116J6032F         | 1          |
| 08         | Slave Cylinder, clutch                  |  |                        | A132Q6010S         | 1          |
| 09         | Boot, slave cylinder                    |  |                        | A120Q6013S         | 1          |
| 10         | Clutch Driven Plate                     |  | Normally Aspirated     | B132F0015F         | 1          |
| 10a        | Clutch Driven Plate                     |  | S/Charger              | A132F0139F         | 1          |
| 11         | Clutch Cover                            |  | Normally Aspirated     | A132F0016F         | 1          |

EVORA

**Function Code 47.01 Clutch & Release Mechanism**

| <u>Dep</u> | <u>Part Description</u>                                  | <u>Remarks</u>          | <u>Option</u>          | <u>Part Number</u> | <u>Qty</u> |
|------------|--|-------------------------|------------------------|--------------------|------------|
| 11a        | Clutch Cover   |                         | S/Charger              | A132F0116F         | 1          |
| 12         | Clutch Release Bearing                                   |                         |                        | A132Q6007S         | 1          |
| 13         | Clip, clutch release bearing                             |                         |                        | A132Q6008S         | 1          |
| 14         | Clutch Release Fork                                      |                         |                        | A132Q6006S         | 1          |
| 15         | Support Pivot, clutch release fork                       |                         |                        | A132Q6009S         | 1          |
| 16         | Boot, clutch release fork                                |                         |                        | A132Q6005S         | 1          |
| 17         | Bolt M8 x 16 hex flg hd, clutch cover to flywheel        |                         |                        | A117W2202F         | 6          |
| 18         | Bracket, clutch hose to transmission                     |                         |                        | B132Q0011F         | 1          |
| 19         | Bracket, clutch hose to chassis                          |                         |                        | B132Q0010F         | 1          |
| 20         | Bleed Plug, slave cylinder                               |                         |                        | A120Q6015S         | 1          |
| 21         | Cap, bleed plug  |                         |                        | A120Q6014S         | 1          |
| 22         | Bracket, slave cylinder                                  |                         |                        | A120Q6016S         | 1          |
| 23         | Bolt, M6 x 16, hex. flg. hd., brackets retention         |                         |                        | A918W5208F         | 3          |
| 24         | Screw, M8 x 26, hex. flg. hd., master cylinder retaining | Metal master cylinder   | *Up to VIN (see below) | A132J6026H         | 2          |
| 24a        | Screw, M8 x 30, hex. flg. hd., master cylinder retaining | Plastic master cylinder | *From VIN (see below)  | A132J0266S         | 2          |
| 25         | Nut, M8, flg., master cylinder retaining                 |                         |                        | A132J6024H         | 2          |
| 26         | Gasket, master cylinder                                  | Metal master cylinder   | *Up to VIN (see below) | B132J0071F         | 1          |
| 26a        | Gasket, master cylinder                                  | Plastic master cylinder | *From VIN (see below)  | A132Q6018S         | 1          |
| 27         | Clevis Pin, master cylinder to pedal                     | Metal master cylinder   | *Up to VIN (see below) | A132J6012F         | 1          |
| 27a        | Clevis Pin, dia 8mm, master cylinder to pedal            | Plastic master cylinder | *From VIN (see below)  | A132J6063S         | 1          |
| 28         | Washer, flat, M10, master cylinder to pedal              |                         | *From VIN (see below)  | A132J6037F         | 1          |



**Function Code 47.01 Clutch & Release Mechanism**

| <u>Dep</u> | <u>Part Description</u>                              | <u>Remarks</u>                             | <u>Option</u>          | <u>Part Number</u> | <u>Qty</u> |
|------------|--|--|------------------------|--------------------|------------|
| 29         | Clip, clevis pin retention                           | Metal master cylinder                      | *Up to VIN (see below) | A132J6031F         | 1          |
| 29a        | Clip, clevis pin retention                           | Plastic master cylinder To be confirmed    | *From VIN (see below)  |                    | 1          |
| 30         | Swivel Clip  |  |                        | A082W6325F         | 1          |
| 31         | Cable Tie  |  |                        | A082W6324F         | 1          |
| 32         | Clip, fir tree, cable tie                            |  |                        | A116K6020F         | 1          |
| 33         | Adaptor, clutch release bearing                      |  |                        | A132F0014F         | 1          |
| 34         | Damper, clutch actuation                             |  |                        | A132Q0021F         | 1          |
| 35         | Bracket, damper mounting                             |  |                        | A132Q0024F         | 1          |
| 36         | Clutch Pipe Assembly, rear, damper to slave cylinder |  |                        | A132Q0022F         | 1          |
| 37         | Clutch Hose Assembly, side to damper                 |  |                        | A132Q0023F         | 1          |
| 38         | Bolt, M6 x 12, hex. flg. hd., damper to bracket      |  | A132W5003F R/B         | A132W5010F         | 2          |
| 39         | Screw, M8 x 20, hex. flg. hd., bracket to chassis    |  |                        | A132W5005F         | 3          |
| 40         | Spacer, master cylinder                              | Plastic master cylinder                    | *From VIN (see below)  | A132J0265S         | 1          |
| 41         | Wrap Heat Protective                                 | Refer to SB2011/29                         | MY12                   | A120L0061F         | 1          |
| 42         | Cable Tie  |  |                        | A132W6095F         | 1          |
| 43         | Clip, Oetiker, Reservoir Hose                        | Refer to TSB 2015/02                       |                        | A132W6109F         | 2          |
| 44         | Bolt, slave cylinder                                 |  |                        | A120F6003S         | 2          |
| 45         | Kit, slave cylinder repair                           | Not illustrated, metal slave cylinder only |                        | A132Q6004S         | 1          |
| 46         | Clutch Kit see LPB 2020/09                           | See 4011 for flywheel kit                  | Normally Aspirated     | A142Q0007S         | 1          |
| 46a        | Clutch Kit see LPB 2020/09                           | See 4011 for flywheel kit                  | S/Charger              | A142Q0008S         | 1          |

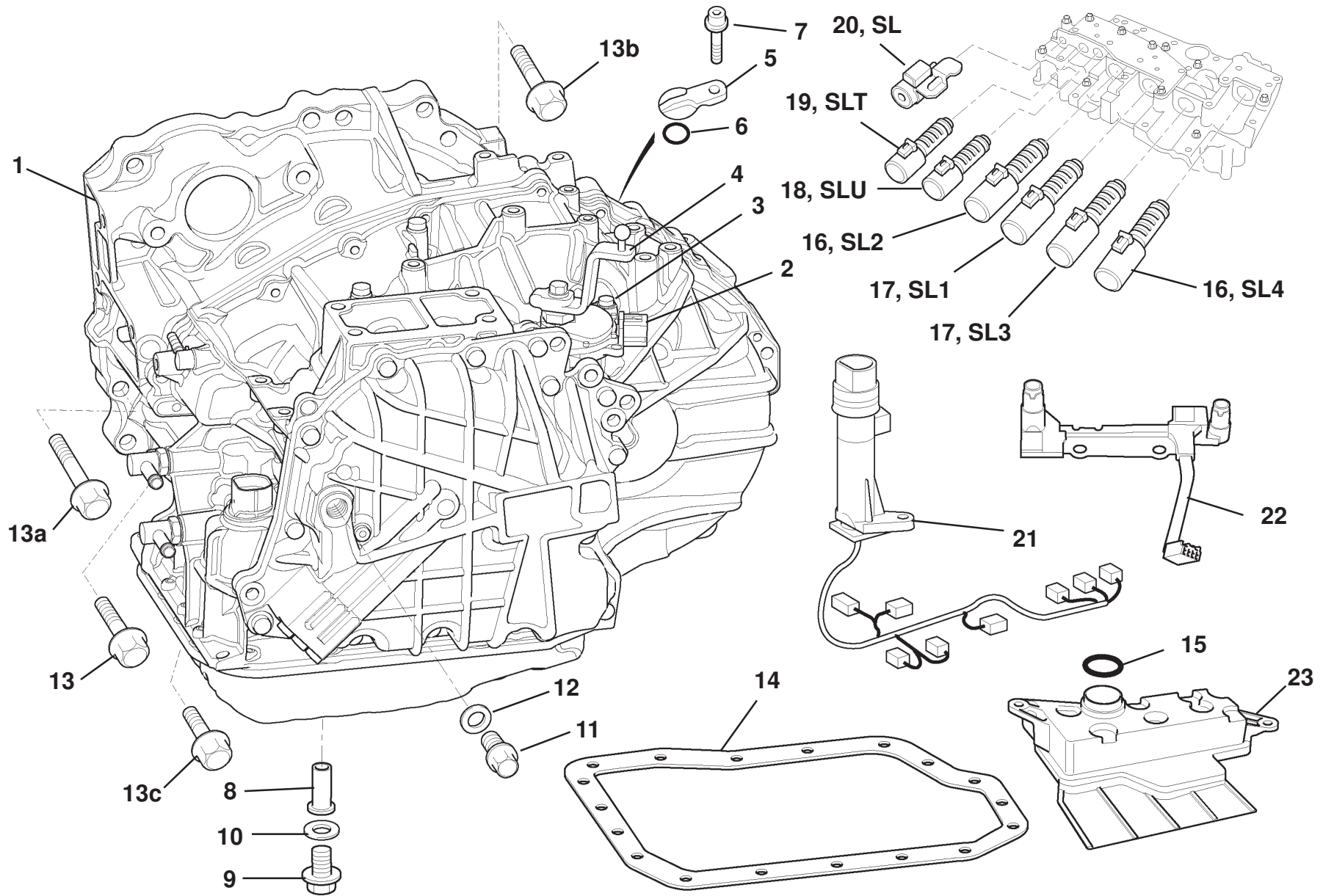


---

**Function Code 47.01 Clutch & Release Mechanism**

| <u>Dep</u> | <u>Part Description</u> | <u>Remarks</u>  | <u>Option</u> | <u>Part Number</u> | <u>Qty</u> |
|------------|-------------------------|---|---------------|--------------------|------------|
|            |                         | *From: All Supercharged cars,<br>NA LHD from '11MY serial<br>number BHD11343,<br>NA RHD from '11MY serial<br>number BHC11524,<br>USA/Canada from '11MY serial<br>number BHA11528. |               |                    |            |

---



**EVORA**

**47.02**

*Updated 1st May 2018*

# Service Parts List

# EVORA



## Function Code 47.02 Automatic Transmission

| <u>Dep</u> | <u>Part Description</u>            | <u>Remarks</u>           | <u>Option</u> | <u>Part Number</u> | <u>Qty</u> |
|------------|------------------------------------|--------------------------|---------------|--------------------|------------|
| 01         | Automatic Transaxle Assembly       | Without torque converter |               | A132F6257F         | 1          |
| 02         | Switch Assembly,neutral            |                          |               | A132F0194S         | 1          |
| 03         | Bolt, neutral, switch              |                          |               | A132F6299S         | 1          |
| 04         | Assembly Lever Shift               |                          |               | A132F0093J         | 1          |
| 05         | Cover, speedo drive hole           |                          |               | A120F6244S         | 1          |
| 06         | O Ring, speedo drive               |                          |               | A120F6254S         | 1          |
| 07         | Bolt,speedo cover                  |                          |               | A132F6304S         | 1          |
| 08         | Tube, transmission                 |                          |               | A132F6302S         | 1          |
| 09         | Plug, transmission tube            |                          |               | A132F6303S         | 1          |
| 10         | Gasket, transmission tube          |                          |               | A132F6301S         | 1          |
| 11         | Bolt, straight screw               |                          |               | A132F6300S         | 1          |
| 12         | Gasket                             |                          |               | A120F6043S         | 1          |
| 13         | Bolt M10 x 42, transaxle to engine |                          |               | A132F6264F         | 1          |
| 13a        | Bolt M12 x 55, transaxle to engine |                          |               | A132F6265F         | 6          |
| 13b        | Bolt M12 x 50, transaxle to engine |                          |               | A132F6266F         | 1          |
| 13c        | Bolt M10 x 33, transaxle to engine |                          |               | A132F6263F         | 3          |
| 14         | Gasket Oil Pan                     |                          |               | A132F6317F         | 1          |
| 15         | 'O' Ring, filter                   |                          |               | A132F6318F         | 1          |

EVORA

Function Code: 47.02, Page: 1

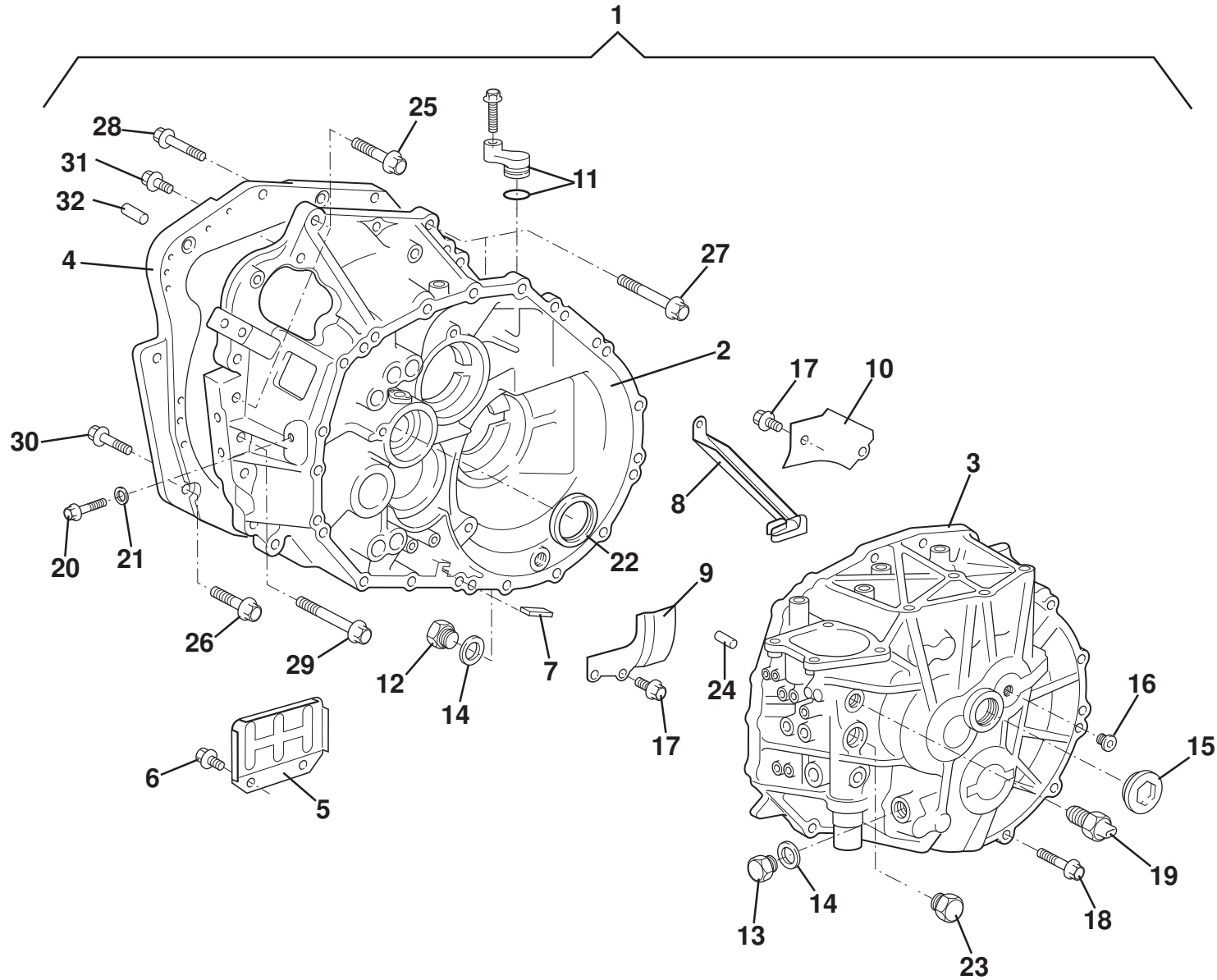
Updated 1st May 2018

---

**Function Code 47.02 Automatic Transmission**

| <u>Dep</u> | <u>Part Description</u>       | <u>Remarks</u> | <u>Option</u> | <u>Part Number</u> | <u>Qty</u> |
|------------|-------------------------------|----------------|---------------|--------------------|------------|
| 16         | Shift Solenoid Valve SL2, SL4 |                |               | A132F6324S         | 2          |
| 17         | Shift Solenoid Valve SL1, SL3 |                |               | A132F7000S         | 2          |
| 18         | Shift Solenoid Valve SLU      |                |               | A132F6323S         | 1          |
| 19         | Shift Solenoid Valve SLT      |                |               | A132F6322S         | 1          |
| 20         | Shift Solenoid Valve SL       |                |               | A132F6321S         | 1          |
| 21         | Transmission Wire Assembly    |                |               | A132M6174S         | 1          |
| 22         | Speed Sensor Assembly         |                |               | A132F6360S         | 1          |
| 23         | Filter                        |                |               | A132F6363S         | 1          |





**EVORA**  
47.03

*Updated 29th September 2014*

# Service Parts List



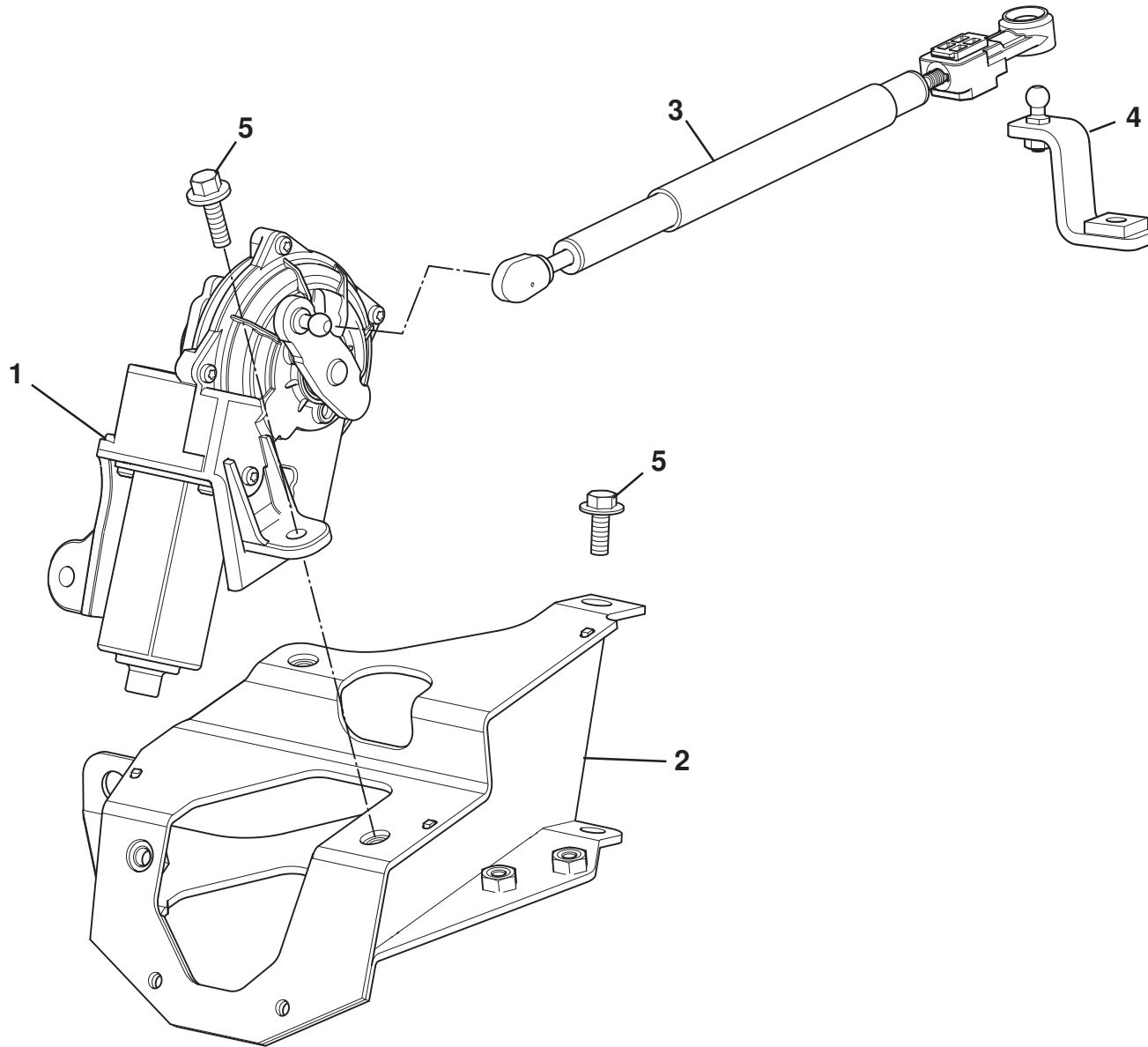
## Function Code 47.03 Transmission Assembly

| <u>Dep</u> | <u>Part Description</u>                              | <u>Remarks</u>   | <u>Option</u>                                      | <u>Part Number</u> | <u>Qty</u> |
|------------|--|--|--|--------------------|------------|
| 01         | Transmission Assembly, manual 6 speed EA60           | Includes Items<br>8,9,12,13,14,15,16,20,21 from<br>47.01 | NA prior MY12                                      | <b>A132F0029K</b>  | 1          |
| 01a        | Transmission Assembly, manual 6 speed, sports ratios | Includes Items<br>8,9,12,13,14,15,16,20,21 from<br>47.01 | NA option/std on 'S' Prior vin<br>CH_10452, GB1564 | <b>A132F0059K</b>  | 1          |
| 01b        | Transmission Assembly, manual 6 speed, sports ratios | Includes Items<br>8,9,12,13,14,15,16,20,21 from<br>47.01 | Vin CH_10452, GB1564 on                            | <b>B132F0059K</b>  | 1          |
| 02         | Transaxle Casing                                     |  |  | <b>A132F6038S</b>  | 1          |
| 03         | Transmission Casing                                  |  |  | <b>A132F6045S</b>  | 1          |
| 04         | Adaptor Plate, engine to transmission                |  |  | <b>A132F0012F</b>  | 1          |
| 05         | Cover, flywheel housing lower                        |  |  | <b>A132E6300S</b>  | 1          |
| 06         | Bolt, hex. flg. hd., cover fixing                    |  |  | <b>A132E6390S</b>  | 2          |
| 07         | Magnet, swarf attraction                             |  |  | <b>A132F6098S</b>  | 1          |
| 08         | Pipe, oil receiver                                   |  |  | <b>A132F6046S</b>  | 1          |
| 09         | Separator, transmission oil                          |  |  | <b>A132F6048S</b>  | 1          |
| 10         | Separator, transmission oil                          |  |  | <b>A132F6049S</b>  | 1          |
| 11         | Cover, speedometer drive hole                        | Includes 'O' ring  |  | <b>A132E6334S</b>  | 1          |
| 12         | Drain Plug   |  |  | <b>A120F6041S</b>  | 1          |
| 13         | Filler Plug  |  |  | <b>A131F6053S</b>  | 1          |



**Function Code 47.03 Transmission Assembly**

| <u>Dep</u> | <u>Part Description</u>                                      | <u>Remarks</u>  | <u>Option</u> | <u>Part Number</u> | <u>Qty</u> |
|------------|--|-----------------|---------------|--------------------|------------|
| 14         | Washer, plug sealing   |                 |               | A132F6170S         | 2          |
| 15         | Plug, transmission casing, large                             |                 |               | A132F6148S         | 1          |
| 16         | Plug, transmission casing, small                             |                 |               | A120F6163S         | 1          |
| 17         | Bolt, hex. flg. hd., separators to case                      |                 |               | A132F6137S         | 4          |
| 18         | Bolt, hex. flg. hd., transmission casing to transaxle casing |                 |               | A120F6032S         | 18         |
| 19         | Switch, reverse lamp   |                 |               | A132F6132S         | 1          |
| 20         | Bolt, hex. flg. hd.,   |                 |               | A132F6136S         | 1          |
| 21         | Washer, flat   |                 |               | A132F6169S         | 1          |
| 22         | Oil Seal, input shaft  |                 |               | A132F6144S         | 1          |
| 23         | Plug, transmission casing                                    |                 |               | A132F6147S         | 1          |
| 24         | Dowel, transmission casing to transaxle casing               |                 |               | A120E6196S         | 1          |
| 25         | Bolt, M12 x 50, hex. flg. hd., transmission to engine        |                 |               | A132F6020H         | 2          |
| 26         | Bolt, M12 x 40, hex. flg. hd., plate to engine               |                 |               | A132F6024H         | 3          |
| 27         | Bolt, M12 x 80, hex. flg. hd., transmission to engine        |                 |               | A132E6386S         | 2          |
| 28         | Bolt, M10 x 70, hex. flg. hd., engine to transmission        |                 |               | A132E6266S         | 1          |
| 29         | Bolt, M12 x 90, hex. flg. hd., transmission to engine        |                 |               | A132E6360S         | 1          |
| 30         | Bolt, M10 x 60, hex. flg. hd., engine to transmission        |                 |               | A132E6381S         | 2          |
| 31         | Bolt, M10 x 35, hex. flg. hd., engine to transmission        |                 |               | A132E6421S         | 1          |
| 32         | Dowell, g/box to adaptor plate                               |                 |               | A132E6158S         | 2          |
| 33         | Gasket Kit, manual transaxle                                 | Not illustrated |               | A132F6037S         | 1          |



**EVORA**

**47.04**

*Updated 28th April 2011*

# Service Parts List

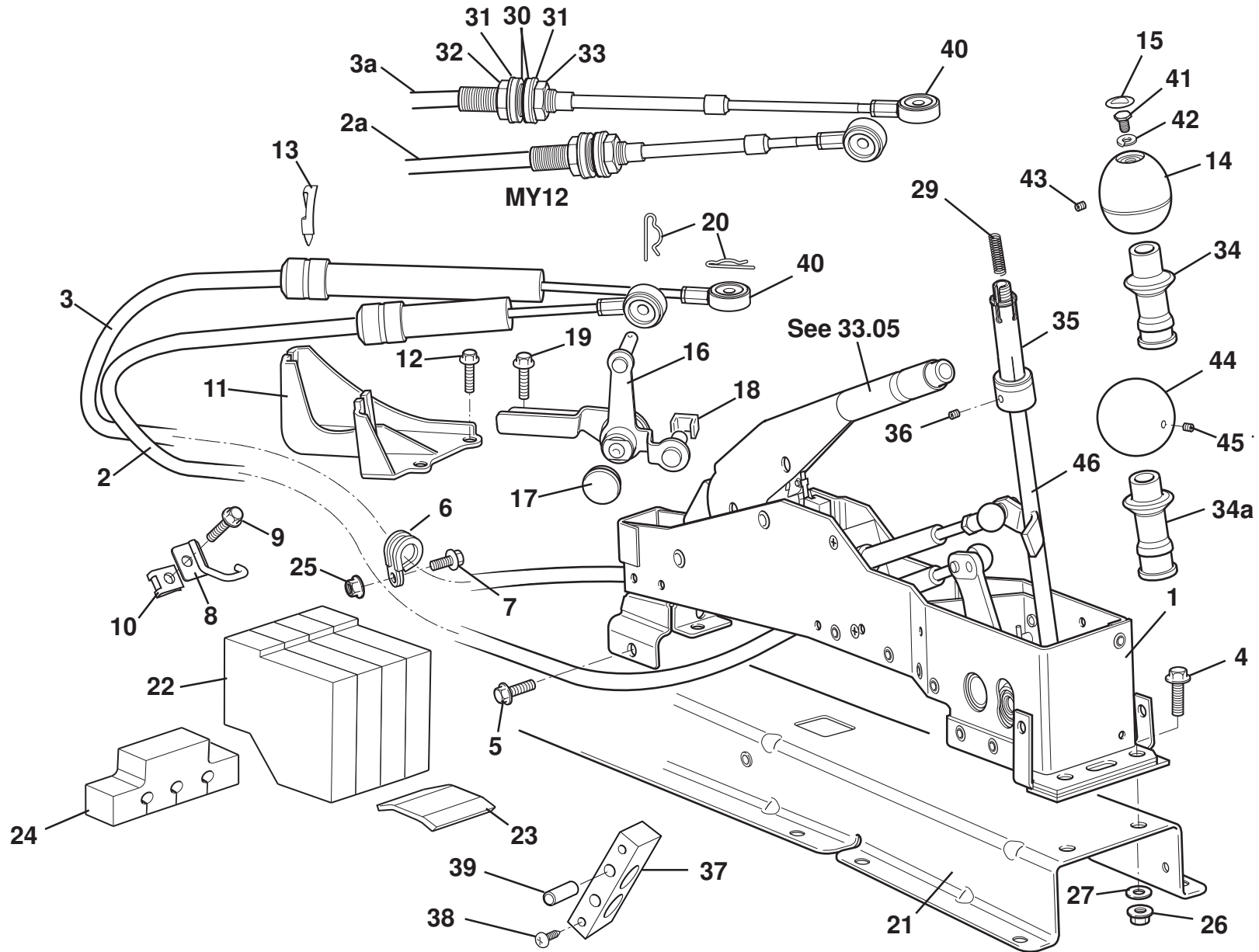
# EVORA



## Function Code 47.04 Gearchange Mechanism, External Auto

| <u>Dep</u> | <u>Part Description</u>                         | <u>Remarks</u> | <u>Option</u> | <u>Part Number</u> | <u>Qty</u> |
|------------|---|----------------|---------------|--------------------|------------|
| 01         | Shift Actuator                                  |                | Auto          | A132F0096F         | 1          |
| 02         | Bracket Assembly, shift actuator                |                | Auto          | A132F0091F         | 1          |
| 03         | Rod Assembly, shift actuator                    |                | Auto          | A132F0082K         | 1          |
| 04         | Lever Assembly, shift                           |                | Auto          | A132F0093J         | 1          |
| 05         | Screw M8 x 20 hex flg, bracket, actuator fixing |                | Auto          | A132W5005F         | 5          |

EVORA



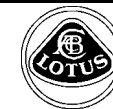
**EVORA**

**47.05**

*Updated 1st May 2018*

# Service Parts List

# EVORA



## Function Code 47.05 Gearchange Mechanism, External

| <u>Dep</u> | <u>Part Description</u>                        | <u>Remarks</u>                                       | <u>Option</u> | <u>Part Number</u> | <u>Qty</u> |
|------------|--|--|---------------|--------------------|------------|
| 01         | Gearshift/Parking Brake Assembly, 6 speed      | Includes gearchange cables (gray)                    |               | E132F0004F         | 1          |
| 01a        | Gearshift/Parking Brake Assembly, 6 speed      | Includes gearchange cables (blue) and alloy abutment | MY12          | A132F0218F         | 1          |
| 02         | Cable, crossgate, gray                         |  |               | D132F0005F         | 1          |
| 02a        | Cable, crossgate, blue with black heatshrink   | Items 30 to 33 not included                          | MY12          | A132F0216F         | 1          |
| 03         | Cable, select, gray with yellow mark           |  |               | D132F0006F         | 1          |
| 03a        | Cable, select, blue with yellow heatshrink     | Items 30 to 33 not included                          | MY12          | A132F0217F         | 1          |
| 04         | Screw, M8 x 20, flg. hd., assy. to chassis     |  |               | A132W5005F         | 2          |
| 05         | Screw, M6 x 12, flg. hd., assy. to chassis     |  |               | A132W5003F         | 3          |
| 06         | 'P' Clip, cable retention                      |  |               | A075Q6013Z         | 4          |
| 07         | Screw, M6 x 12, flg. hd., 'P' clip fixing      |  |               | A111E6007F         | 4          |
| 08         | Guide, cables to subframe                      |  |               | B132F0021F         | 1          |
| 09         | Screw, M6 x 16, flg. hd., guide to subframe    |  |               | A132W5003F         | 1          |
| 10         | Spirenut, M6, guide to subframe                |  |               | A117W6715F         | 1          |
| 11         | Abutment, cables to transmission               |  |               | A132F6103S         | 1          |
| 12         | Screw, hex. flg. hd., abutment to transmission |  |               | A120F6040S         | 3          |
| 13         | Spring Clip, cables to abutment                |  |               | A082F6577S         | 2          |
| 14         | Gearknob Assembly, leather, excluding badge    | Black lower half                                     |               | B132U0210J         | 1          |

EVORA

Function Code: 47.05, Page: 1

Updated 1st May 2018

**Function Code 47.05 Gearchange Mechanism, External**

| <u>Dep</u> | <u>Part Description</u>                           | <u>Remarks</u>                | <u>Option</u> | <u>Part Number</u> | <u>Qty</u> |
|------------|---|-------------------------------|---------------|--------------------|------------|
| 14a        | Gearknob Assembly, leather, excluding badge       | Graphite lower half           |               | A132U0689S         | 1          |
| 14b        | Gearknob Assembly, leather, excluding badge       | Paprika lower half            |               | A132U0690S         | 1          |
| 14c        | Gearknob Assembly, leather, excluding badge       | Oyster lower half             |               | A132U0691S         | 1          |
| 14d        | Gearknob Assembly, leather, excluding badge       | Coco bolo lower half          |               | A132U0692S         | 1          |
| 14e        | Gearknob Assembly, leather, excluding badge       | Chestnut lower half           |               | A132U0693S         | 1          |
| 14f        | Gearknob Assembly, leather, excluding badge       | Suedetex lower half           |               | A132V0838S         | 1          |
| 14g        | Gearknob Assembly, leather, excluding badge       | MY12 ivory white lower half   |               | A132V0792S         | 1          |
| 14h        | Gearknob Assembly, leather, excluding badge       | MY12 venom red lower half     |               | A132V0793S         | 1          |
| 14i        | Gearknob Assembly, leather, excluding badge       | MY12 ash grey lower half      |               | A132V0794S         | 1          |
| 14j        | Gearknob Assembly, leather, excluding badge       | MY12 cognac brown lower half  |               | A132V0795S         | 1          |
| 14k        | Gearknob Assembly, leather, excluding badge       | MY12 cocoa brown lower half   |               | A132V0796S         | 1          |
| 14l        | Gearknob Assembly, leather, excluding badge       | MY12 imperial blue lower half |               | A132V0797S         | 1          |
| 15         | Badge; LOTUS, gear knob, silver                   | Recess in gearkob             |               | A132V0178F         | 1          |
| 15b        | Badge; LOTUS, gear knob, acrylic                  | Flush gearknob                |               | LOTAC05276         | 1          |
| 16         | Crank Assembly, shift and select                  |                               |               | A132F6109S         | 1          |
| 17         | Dust Cover, crank pivot                           |                               |               | A120F6170S         | 1          |
| 18         | Dust Cover, crank to selector                     |                               |               | A120F6177S         | 1          |
| 19         | Screw, hex. flg. hd., crank assy. to transmission |                               |               | A132F6254S         | 2          |
| 20         | 'R' Clip, cables to levers                        |                               |               | A075W6175Z         | 2          |
| 21         | Channel, gearchange assembly mounting             | Supplied with chassis         |               | C132A0174H         | 1          |
| 22         | Foam Block, gear cable                            |                               |               | A132F0037F         | 1          |





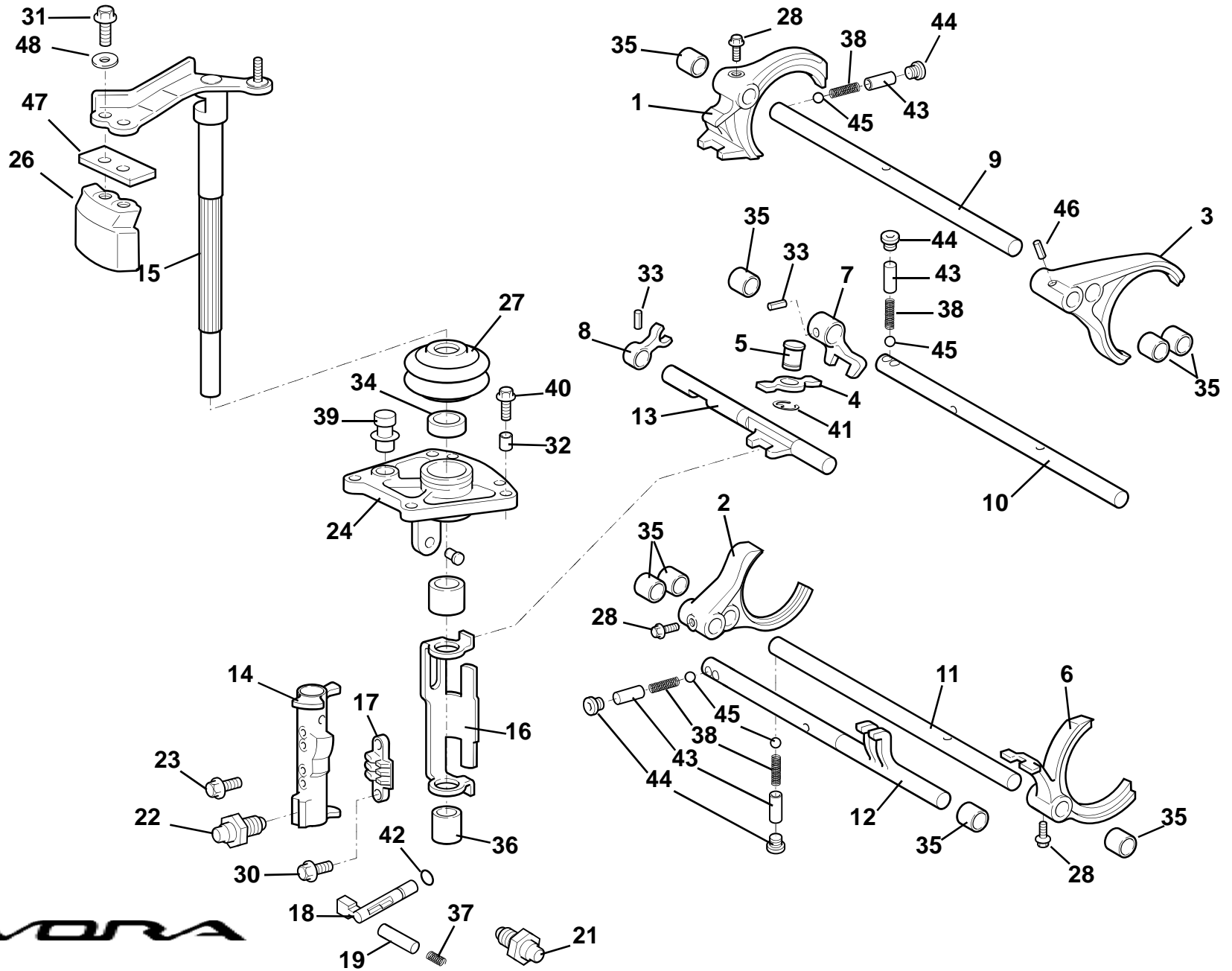
**Function Code 47.05 Gearchange Mechanism, External**

| <u>Dep</u> | <u>Part Description</u>                                     | <u>Remarks</u>        | <u>Option</u>         | <u>Part Number</u> | <u>Qty</u> |
|------------|---|-----------------------|-----------------------|--------------------|------------|
| 23         | Foam Pad, gear cable  |                       |                       | A132F0036F         | 1          |
| 24         | Seal, cutout gear cable                                     |                       |                       | C132A0304F         | 1          |
| 24a        | Seal, cutout gear selector                                  |                       | Auto (NA & S/Charged) | A132F0066F         | 1          |
| 25         | Nut M6, hex flg. 'P' clip fixing                            |                       |                       | A117W3180F         | 2          |
| 26         | Nut Nyloc M8, gearchange assembly mounting                  |                       |                       | A907E6284F         | 2          |
| 27         | Washer Flat M8 x 25 x 1.5 S/S, gearchange assembly mounting |                       |                       | B075W4021Z         | 2          |
| 28         | Rubber Edge, channel gearchange                             | Not illustrated 160mm |                       | A085U6080V         | 1          |
| 29         | Spring, gear lever lift tube                                |                       |                       | A132F0191S         | 1          |
| 30         | Washer Gear Cables  |                       | MY12                  | A132F0208F         | 4          |
| 31         | Isolator Gear cables  |                       | MY12                  | A132F0207F         | 4          |
| 32         | Nut M6 x 1.5, gearshift cables                              |                       | MY12                  | A132F0209F         | 2          |
| 33         | Nut Tube M6 x 1.5, gearshift cables                         |                       | MY12                  | A132F0210F         | 2          |
| 34         | Lift Tube, reverse select, round lever                      | Use with item 14      |                       | A132V0122F         | 1          |
| 34a        | Lift Tube, reverse select, round lever                      | Use with item 44      |                       | B120U0017F         | 1          |
| 35         | Adaptor Lift Tube, blue plastic                             |                       |                       | A132F0242S         | 1          |
| 36         | Grub Screw  |                       |                       | A120F0028S         | 1          |
| 37         | Abutment, gearchange cables                                 |                       | MY12                  | A132F0219F         | 1          |
| 38         | Screw M5 x 12, abutment fixing                              |                       |                       | A117W7207F         | 4          |
| 39         | Roll Pin, 6 x 30 located in abutment                        |                       | MY12                  | A132F6305F         | 2          |
| 40         | Cable Connector, cable to transmission                      |                       |                       | A132F6307S         | 2          |

---

**Function Code 47.05 Gearchange Mechanism, External**

| <u>Dep</u> | <u>Part Description</u>                        | <u>Remarks</u>  | <u>Option</u> | <u>Part Number</u> | <u>Qty</u> |
|------------|--|-----------------|---------------|--------------------|------------|
| 41         | Screw M6 x 12 hex hd thin                      |                 |               | A100W1055F         | 1          |
| 42         | Washer Spring M6                               |                 |               | A075W4035Z         | 1          |
| 43         | Grub Screw M5 x 5                              |                 |               | A132W1000F         | 1          |
| 44         | Gearknob, six speed, 12mm thread               | Aluminium       |               | D120U0012F         | 1          |
| 45         | Knurl Point Grub Screw, M5 x 16, knob to lever | Order with knob | Common        | A120W5292F         | 1          |
| 46         | Gear Shift Lever Assembly                      |                 | MY12          | A132F6364S         | 1          |



**EVORA**  
47.06

*Updated 30th September 2019*

# Service Parts List

# EVORA



## Function Code 47.06 Gear Selector Mechanism, Internal

| <u>Dep</u> | <u>Part Description</u>                 | <u>Remarks</u> | <u>Option</u>      | <u>Part Number</u> | <u>Qty</u> |
|------------|---|----------------|--------------------|--------------------|------------|
| 01         | Selector Fork Assembly, gearshift no. 1 |                |                    | A132F6050S         | 1          |
| 01a        | Selector Fork Assembly, gearshift no. 1 |                | Sports Ratio G/box | A132F0349J         | 1          |
| 02         | Selector Fork, reverse shift            |                |                    | A132F6051S         | 1          |
| 03         | Selector Fork Assembly, gearshift no. 2 |                |                    | A132F6052S         | 1          |
| 04         | Shift Arm                               |                |                    | A132F6053S         | 1          |
| 05         | Pivot, shift arm                        |                |                    | A132F6054S         | 1          |
| 06         | Selector Fork Assembly, gearshift no. 3 |                |                    | A132F6055S         | 1          |
| 07         | Head, gearshift no. 2                   |                |                    | A132F6056S         | 1          |
| 08         | Head, gearshift no. 3                   |                |                    | A132F6057S         | 1          |
| 09         | Shaft, selector fork no. 1              |                |                    | A132F6058S         | 1          |
| 10         | Shaft, selector fork no. 2              |                |                    | A132F6059S         | 1          |
| 11         | Shaft, selector fork no. 3              |                |                    | A132F6060S         | 1          |
| 12         | Shaft, selector fork no. 4              |                |                    | A132F6061S         | 1          |
| 13         | Shaft, selector fork no. 5              |                |                    | A132F6062S         | 1          |
| 14         | Shift Lever, inner no. 1                |                |                    | A132F6063S         | 1          |
| 15         | Shaft, shift and select lever           |                |                    | A132F6064S         | 1          |
| 16         | Plate, shift interlock                  |                |                    | A132F6065S         | 1          |
| 16a        | Plate, shift interlock                  |                | Sports Ratio G/box | A132F0220K         | 1          |

EVORA

**Function Code 47.06 Gear Selector Mechanism, Internal**

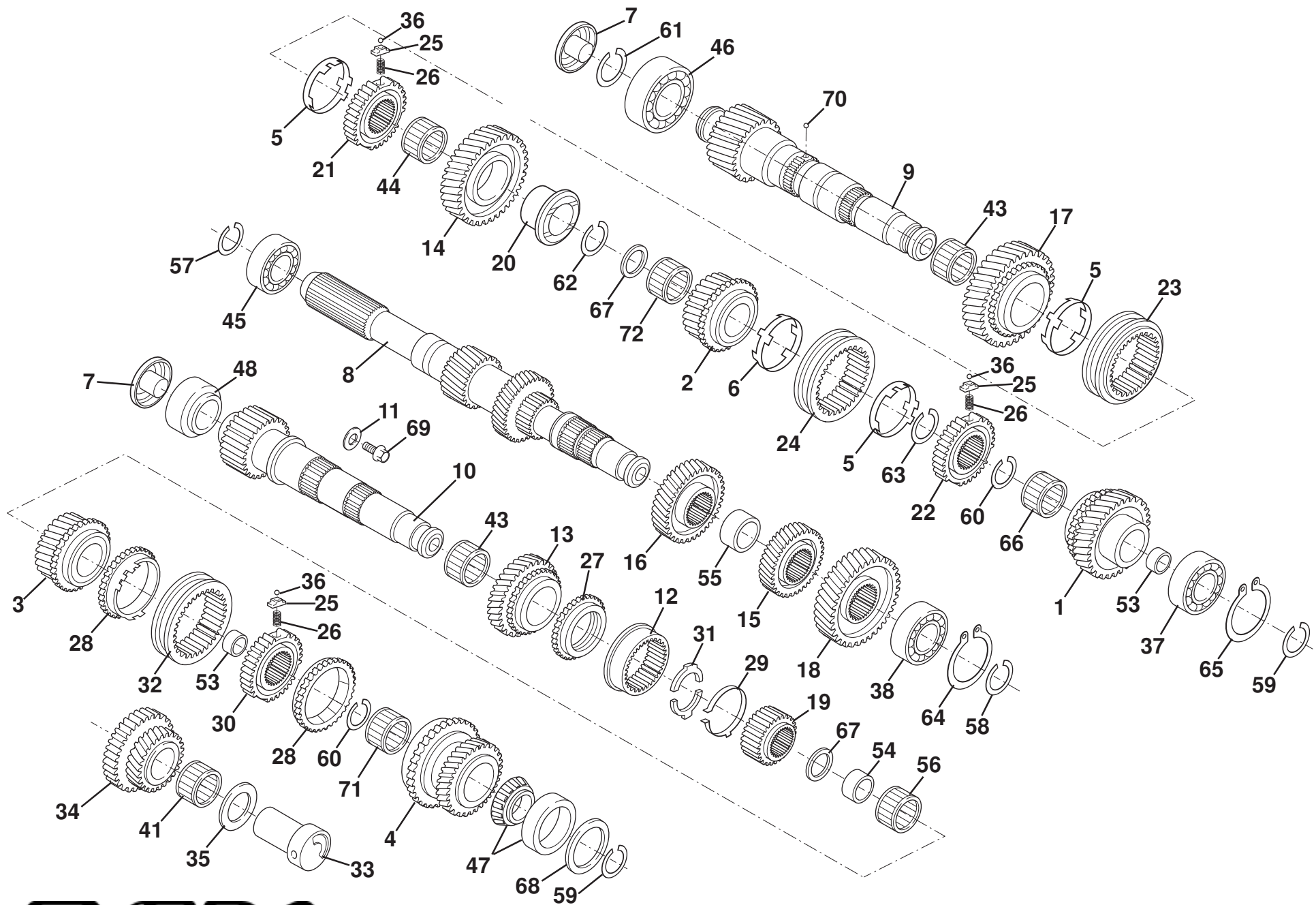
| <u>Dep</u> | <u>Part Description</u>                  | <u>Remarks</u>           | <u>Option</u>      | <u>Part Number</u> | <u>Qty</u> |
|------------|--|--------------------------|--------------------|--------------------|------------|
| 17         | Plate, shift gate                        |                          |                    | A132F6066S         | 1          |
| 17a        | Plate, shift gate                        |                          | Sports Ratio G/box | A132F0206F         | 1          |
| 18         | Pin, lever shaft fixing                  |                          |                    | A132F6067S         | 1          |
| 19         | Pin, lever shaft fixing                  |                          |                    | A132F6068S         | 1          |
| 20         | Seat, shift detent spring no. 1          |                          |                    | A120F6062S         | 1          |
| 21         | Detent Ball Assembly                     |                          |                    | A132F6070S         | 4          |
| 22         | Detent Ball Assembly                     |                          |                    | A132F6071S         | 4          |
| 23         | Pin, shift gate                          |                          |                    | A132F6072S         | 1          |
| 24         | Cover Assembly, control shaft            | Includes, boot, bearings |                    | A132F6102S         | 1          |
| 25         | Bracket, control cable                   |                          |                    | A132F6103S         | 1          |
| 26         | Damper, shift lever                      |                          |                    | A132F6104S         | 1          |
| 27         | Boot, shift lever                        |                          |                    | A132F6105S         | 1          |
| 28         | Bolt, hex. flg. hd., fork to shaft       |                          |                    | A132F6133S         | 3          |
| 30         | Bolt, hex. flg. hd., plate retention     |                          |                    | A132F6134S         | 2          |
| 31         | Bolt, hex. flg. hd., damper to lever     |                          |                    | A132F6138S         | 2          |
| 31a        | Bolt, hex M8 x 35., damper/mass to lever |                          |                    | A075W2038F         | 2          |
| 32         | Dowel Pin, cover to casing               |                          |                    | A132F6141S         | 1          |
| 33         | Pin, slotted spring, head to shaft       |                          |                    | A132F6142S         | 2          |
| 34         | Oil Seal, cover assembly                 |                          |                    | A132F6143S         | 2          |
| 35         | Bearing, selector shaft                  |                          |                    | A132F6164S         | 8          |
| 36         | Bearing, shift shaft lower               |                          |                    | A132F6165S         | 1          |



---

**Function Code 47.06 Gear Selector Mechanism, Internal**

| <u>Dep</u> | <u>Part Description</u>               | <u>Remarks</u> | <u>Option</u> | <u>Part Number</u> | <u>Qty</u> |
|------------|---------------------------------------|----------------|---------------|--------------------|------------|
| 37         | Spring, lever shaft pin               |                |               | A132F6171S         | 1          |
| 38         | Spring, shift detent                  |                |               | A132F6172S         | 4          |
| 39         | Breather Plug, cover assembly         |                |               | A132F6252S         | 1          |
| 40         | Bolt, hex. flg. hd., cover to casing  |                |               | A132F6253S         | 4          |
| 41         | 'E' Clip, shift arm pivot             |                |               | A132F6255S         | 1          |
| 42         | 'O' Ring                              |                |               | A132F6256S         | 1          |
| 43         | Spring Seat, shift detent             |                |               | A120F6162S         | 4          |
| 44         | Plug, shift detent assy.              |                |               | A120F6163S         | 4          |
| 45         | Detent Ball                           |                |               | A120F6164S         | 4          |
| 46         | Pin, slotted spring, fork to shaft    |                |               | A120F6184S         | 2          |
| 47         | Mass, gear selector                   |                |               | A132F0112F         | 3          |
| 48         | Washer 8 x 16.6, damper/mass to lever |                |               | A075W4020Z         | 2          |



**EVORA**

**47.07**

*Updated 2nd October 2017*

# Service Parts List



## Function Code 47.07 Gears, Shafts & Bearings

| <u>Dep</u> | <u>Part Description</u> | <u>Remarks</u>                                       | <u>Option</u>                                  | <u>Part Number</u> | <u>Qty</u> |
|------------|-------------------------|--|--|--------------------|------------|
| 01         | 3rd Gear, driven        |  |  | A132F6039S         | 1          |
| 01a        | 3rd Gear, driven        | If unavailable replace with 1b,2b,3b,4b,15b,16b,18b* | Sports Ratio G/box, Prior vin CH_10452, GB1564 | A132F0049F         | 1          |
| 01b        | 3rd Gear, driven        |  | Sports Ratio G/box, vin CH_10452, GB1564 on    | B132F0049F         | 1          |
| 02         | 4th Gear, driven        |  |  | A132F6040S         | 1          |
| 02a        | 4th Gear, driven        | If unavailable replace with 1b,2b,3b,4b,15b,16b,18b* | Sports Ratio G/box, Prior vin CH_10452, GB1564 | A132F0051F         | 1          |
| 02b        | 4th Gear, driven        |  | Sports Ratio G/box, vin CH_10452, GB1564 on    | B132F0051F         | 1          |
| 03         | 5th Gear, driven        |  |  | A132F6041S         | 1          |
| 03a        | 5th Gear, driven        | If unavailable replace with 1b,2b,3b,4b,15b,16b,18b* | Sports Ratio G/box, Prior vin CH_10452, GB1564 | A132F0053F         | 1          |
| 03b        | 5th Gear, driven        |  | Sports Ratio G/box, vin CH_10452, GB1564 on    | B132F0053F         | 1          |
| 04         | 6th Gear, driven        |  |  | A132F6042S         | 1          |
| 04a        | 6th Gear, driven        | If unavailable replace with 1b,2b,3b,4b,15b,16b,18b* | Sports Ratio G/box, Prior vin CH_10452, GB1564 | A132F0055F         | 1          |
| 04b        | 6th Gear, driven        |  | Sports Ratio G/box, vin CH_10452, GB1564 on    | B132F0055F         | 1          |
| 05         | Synchro Ring Set, no. 1 |  |  | A132F6043S         | 1          |
| 06         | Synchro Ring Set, no. 4 |  |  | A132F6044S         | 1          |





**Function Code 47.07 Gears, Shafts & Bearings**

| <u>Dep</u> | <u>Part Description</u>                | <u>Remarks</u>  | <u>Option</u>                                     | <u>Part Number</u> | <u>Qty</u> |
|------------|--|---|---|--------------------|------------|
| 07         | Cover, output shaft                    |   |   | A132F6047S         | 1          |
| 08         | Input Shaft                            |   |   | A132F6073S         | 1          |
| 09         | Output Shaft, no. 1                    |   |   | A132F6074S         | 1          |
| 10         | Output Shaft, no. 2                    |   |   | A132F6075S         | 1          |
| 11         | Plate, bearing lock                    |   |   | A132F6076S         | 2          |
| 12         | Sleeve, synchro hub, no. 4             |   |   | A132F6077S         | 1          |
| 13         | Reverse Gear                           |   |   | A132F6078S         | 1          |
| 14         | 2nd Gear                               |   |   | A132F6079S         | 1          |
| 15         | 3rd Gear                               |   |   | A132F6080S         | 1          |
| 15a        | 3rd Gear                               | If unavailable replace with<br>1b,2b,3b,4b,15b,16b,18b* | Sports Ratio G/box, Prior vin<br>CH_10452, GB1564 | A132F0046F         | 1          |
| 15b        | 3rd Gear                               |   | Sports Ratio G/box, vin<br>CH_10452, GB1564 on    | B132F0046F         | 1          |
| 16         | 4th Gear                               |   |   | A132F6081S         | 1          |
| 16a        | 4th, 5th Gear                          | If unavailable replace with<br>1b,2b,3b,4b,15b,16b,18b* | Sports Ratio G/box, Prior vin<br>CH_10452, GB1564 | A132F0047F         | 1          |
| 16b        | One piece 4th,5th gear,spacer assembly |   | Sports Ratio G/box, vin<br>CH_10452, GB1564 on    | A132F0160F         | 1          |
| 17         | 1st Gear                               |   |   | A132F6082S         | 1          |
| 18         | 6th Gear                               |   |   | A132F6083S         | 1          |
| 18a        | 6th Gear                               | If unavailable replace with<br>1b,2b,3b,4b,15b,16b,18b* | Sports Ratio G/box, Prior vin<br>CH_10452, GB1564 | A132F0048F         | 1          |

**Function Code 47.07 Gears, Shafts & Bearings**

| <u>Dep</u> | <u>Part Description</u>                | <u>Remarks</u> | <u>Option</u>                                  | <u>Part Number</u> | <u>Qty</u> |
|------------|--|----------------|--|--------------------|------------|
| 18b        | 6th Gear                               |                | Sports Ratio G/box, vin<br>CH_10452, GB1564 on | B132F0048F         | 1          |
| 19         | Synchro Hub, no. 4                     |                |  | A132F6084S         | 1          |
| 20         | Bearing Inner, 2nd gear                |                |  | A132F6085S         | 1          |
| 21         | Synchro Hub, no. 1                     |                |  | A132F6086S         | 1          |
| 22         | Synchro Hub, no. 2                     |                |  | A132F6087S         | 1          |
| 23         | Sleeve, synchro hub, no. 1             |                |  | A132F6088S         | 1          |
| 24         | Sleeve, synchro hub, no. 2             |                |  | A132F6089S         | 1          |
| 25         | Key, synchromesh shifting              |                |  | A132F6090S         | 9          |
| 26         | Spring, synchromesh shifting key no. 1 |                |  | A132F6091S         | 9          |
| 27         | Synchromesh Ring, no. 4                |                |  | A132F6092S         | 1          |
| 28         | Synchromesh Ring Outer, no. 4          |                |  | A132F6093S         | 1          |
| 29         | Spring, synchromesh shifting key no. 3 |                |  | A132F6094S         | 1          |
| 30         | Synchro Hub, no. 3                     |                |  | A132F6095S         | 1          |
| 31         | Key, synchromesh shifting, no. 3       |                |  | A132F6096S         | 1          |
| 32         | Sleeve, synchro hub, no. 3             |                |  | A132F6097S         | 1          |
| 33         | Shaft, reverse idler gear              |                |  | A132F6099S         | 1          |
| 34         | Reverse Idler Gear                     |                |  | A132F6100S         | 1          |
| 35         | Thrust Washer, reverse idler gear      |                |  | A132F6101S         | 1          |
| 36         | Detent Ball                            |                |  | A132F6149S         | 9          |
| 37         | Bearing, radial ball                   |                |  | A132F6150S         | 1          |



**Function Code 47.07 Gears, Shafts & Bearings**

| <u>Dep</u> | <u>Part Description</u>               | <u>Remarks</u>       | <u>Option</u>      | <u>Part Number</u> | <u>Qty</u> |
|------------|---------------------------------------|----------------------|--------------------|--------------------|------------|
| 38         | Bearing, radial ball                  |                      |                    | A132F6151S         | 1          |
| 39         | Bearing, needle roller                |                      |                    | A132F6152S         | 1          |
| 40         | Bearing, needle roller                |                      |                    | A132F6153S         | 1          |
| 41         | Bearing, needle roller, reverse idler |                      |                    | A132F6154S         | 1          |
| 42         | Bearing, needle roller                |                      |                    | A132F6155S         | 1          |
| 43         | Bearing, needle roller                |                      |                    | A132F6156S         | 1          |
| 44         | Bearing, needle roller                |                      |                    | A132F6157S         | 1          |
| 45         | Bearing, cylindrical roller           |                      |                    | A132F6158S         | 1          |
| 46         | Bearing, cylindrical roller           |                      |                    | A132F6159S         | 1          |
| 47         | Bearing, tapered roller               |                      |                    | A132F6160S         | 1          |
| 48         | Bearing, tapered roller               |                      |                    | A132F6161S         | 1          |
| 49         | Bearing, tapered roller               |                      |                    | A132F6162S         | 1          |
| 50         | Bearing, tapered roller               |                      |                    | A132F6163S         | 1          |
| 51         | Bearing                               |                      |                    | A132F6164S         | 1          |
| 52         | Bearing                               |                      |                    | A132F6165S         | 1          |
| 53         | Collar                                |                      |                    | A132F6166S         | 2          |
| 54         | Collar                                |                      |                    | A132F6167S         | 1          |
| 55         | Collar                                |                      | A132F6168S R/B     | A132F0141F         | 1          |
| 55a        | Collar 3rd gear                       | Replaced by item 16b | Sports Ratio G/box | A132F0160F         | 1          |
| 56         | Bearing, needle roller                |                      |                    | A132F6155S         | 1          |
| 57         | Snap Ring, bearing to shaft           |                      |                    | A132F6173S         | 1          |



**Function Code 47.07 Gears, Shafts & Bearings**

| <u>Dep</u> | <u>Part Description</u>                | <u>Remarks</u> | <u>Option</u> | <u>Part Number</u> | <u>Qty</u> |
|------------|--|----------------|---------------|--------------------|------------|
| 58         | Snap Ring, bearing to shaft, A, 1.80mm |                |               | A132F6174S         | 1          |
| 58a        | Snap Ring, bearing to shaft, B, 1.85mm |                |               | A132F6175S         | 1          |
| 58b        | Snap Ring, bearing to shaft, C, 1.90mm |                |               | A132F6176S         | 1          |
| 58c        | Snap Ring, bearing to shaft, D, 1.95mm |                |               | A132F6177S         | 1          |
| 58d        | Snap Ring, bearing to shaft, E, 2.00mm |                |               | A132F6178S         | 1          |
| 58e        | Snap Ring, bearing to shaft, F, 2.40mm |                |               | A132F6179S         | 1          |
| 58f        | Snap Ring, bearing to shaft, G, 2.45mm |                |               | A132F6180S         | 1          |
| 58g        | Snap Ring, bearing to shaft, H, 2.50mm |                |               | A132F6181S         | 1          |
| 58h        | Snap Ring, bearing to shaft, 0, 2.05mm |                |               | A132F6182S         | 1          |
| 58i        | Snap Ring, bearing to shaft, 1, 2.10mm |                |               | A132F6183S         | 1          |
| 58j        | Snap Ring, bearing to shaft, 2, 2.15mm |                |               | A132F6184S         | 1          |
| 58k        | Snap Ring, bearing to shaft, 3, 2.20mm |                |               | A132F6185S         | 1          |
| 58l        | Snap Ring, bearing to shaft, 4, 2.25mm |                |               | A132F6186S         | 1          |
| 58m        | Snap Ring, bearing to shaft, 5, 2.30mm |                |               | A132F6187S         | 1          |
| 58n        | Snap Ring, bearing to shaft, 6, 2.35mm |                |               | A132F6188S         | 1          |
| 59         | Snap Ring, bearing to shaft, B, 1.85mm |                |               | A132F6175S         | 2          |
| 59a        | Snap Ring, bearing to shaft, C, 1.90mm |                |               | A132F6176S         | 2          |
| 59b        | Snap Ring, bearing to shaft, D, 1.95mm |                |               | A132F6177S         | 2          |
| 59c        | Snap Ring, bearing to shaft, E, 2.00mm |                |               | A132F6178S         | 2          |
| 59d        | Snap Ring, bearing to shaft, 0, 2.05mm |                |               | A132F6182S         | 2          |
| 59e        | Snap Ring, bearing to shaft, 1, 2.10mm |                |               | A132F6183S         | 2          |



**Function Code 47.07 Gears, Shafts & Bearings**

| <u>Dep</u> | <u>Part Description</u>                | <u>Remarks</u> | <u>Option</u> | <u>Part Number</u> | <u>Qty</u> |
|------------|--|----------------|---------------|--------------------|------------|
| 59f        | Snap Ring, bearing to shaft, 2, 2.15mm |                |               | A132F6184S         | 2          |
| 60         | Snap Ring, bearing to shaft, 1, 2.25mm |                |               | A132F6189S         | 2          |
| 60a        | Snap Ring, bearing to shaft, 1, 2.30mm |                |               | A132F6190S         | 2          |
| 60b        | Snap Ring, bearing to shaft, 1, 2.35mm |                |               | A132F6191S         | 2          |
| 60c        | Snap Ring, bearing to shaft, 1, 2.40mm |                |               | A132F6192S         | 2          |
| 60d        | Snap Ring, bearing to shaft, 1, 2.45mm |                |               | A132F6193S         | 2          |
| 60e        | Snap Ring, bearing to shaft, 1, 2.50mm |                |               | A132F6194S         | 2          |
| 61         | Snap Ring, bearing to shaft            |                |               | A132F6195S         | 1          |
| 62         | Snap Ring, bearing to shaft, A, 2.25mm |                |               | A132F6196S         | 1          |
| 62a        | Snap Ring, bearing to shaft, B, 2.30mm |                |               | A132F6197S         | 1          |
| 62b        | Snap Ring, bearing to shaft, C, 2.35mm |                |               | A132F6198S         | 1          |
| 62c        | Snap Ring, bearing to shaft, D, 2.40mm |                |               | A132F6199S         | 1          |
| 62d        | Snap Ring, bearing to shaft, E, 2.45mm |                |               | A132F6200S         | 1          |
| 62e        | Snap Ring, bearing to shaft, F, 2.50mm |                |               | A132F6201S         | 1          |
| 62f        | Snap Ring, bearing to shaft, G, 2.55mm |                |               | A132F6202S         | 1          |
| 62g        | Snap Ring, bearing to shaft, H, 2.60mm |                |               | A132F6203S         | 1          |
| 63         | Snap Ring, bearing to shaft, A, 2.25mm |                |               | A132F6204S         | 1          |
| 63a        | Snap Ring, bearing to shaft, B, 2.30mm |                |               | A132F6205S         | 1          |
| 63b        | Snap Ring, bearing to shaft, C, 2.35mm |                |               | A132F6206S         | 1          |
| 63c        | Snap Ring, bearing to shaft, D, 2.40mm |                |               | A132F6207S         | 1          |
| 63d        | Snap Ring, bearing to shaft, E, 2.45mm |                |               | A132F6208S         | 1          |



**Function Code 47.07 Gears, Shafts & Bearings**

| <u>Dep</u> | <u>Part Description</u>                | <u>Remarks</u> | <u>Option</u> | <u>Part Number</u> | <u>Qty</u> |
|------------|--|----------------|---------------|--------------------|------------|
| 63e        | Snap Ring, bearing to shaft, F, 2.50mm |                |               | A132F6209S         | 1          |
| 63f        | Snap Ring, bearing to shaft, G, 2.55mm |                |               | A132F6210S         | 1          |
| 63g        | Snap Ring, bearing to shaft, H, 2.60mm |                |               | A132F6211S         | 1          |
| 64         | Snap Ring, bearing to shaft            |                |               | A132F6212S         | 1          |
| 65         | Snap Ring, bearing to shaft            |                |               | A132F6213S         | 1          |
| 66         | Bearing, needle roller                 |                |               | A132F6152S         | 1          |
| 67         | Snap Ring, bearing to shaft            |                |               | A132F6215S         | 1          |
| 68         | Shim, bearing to shaft, A, 1.80mm      |                |               | A132F6216S         | 1          |
| 68a        | Shim, bearing to shaft, B, 1.85mm      |                |               | A132F6217S         | 1          |
| 68b        | Shim, bearing to shaft, C, 1.90mm      |                |               | A132F6218S         | 1          |
| 68c        | Shim, bearing to shaft, D, 1.95mm      |                |               | A132F6219S         | 1          |
| 68d        | Shim, bearing to shaft, E, 2.00mm      |                |               | A132F6220S         | 1          |
| 68e        | Shim, bearing to shaft, F, 2.05mm      |                |               | A132F6221S         | 1          |
| 68f        | Shim, bearing to shaft, G, 2.10mm      |                |               | A132F6222S         | 1          |
| 68g        | Shim, bearing to shaft, H, 2.15mm      |                |               | A132F6223S         | 1          |
| 68h        | Shim, bearing to shaft, J, 2.20mm      |                |               | A132F6224S         | 1          |
| 68i        | Shim, bearing to shaft, K, 2.25mm      |                |               | A132F6225S         | 1          |
| 68j        | Shim, bearing to shaft, L, 2.30mm      |                |               | A132F6226S         | 1          |
| 68k        | Shim, bearing to shaft, M, 2.35mm      |                |               | A132F6227S         | 1          |
| 68l        | Shim, bearing to shaft, N, 2.40mm      |                |               | A132F6228S         | 1          |
| 68m        | Shim, bearing to shaft, P, 2.45mm      |                |               | A132F6229S         | 1          |



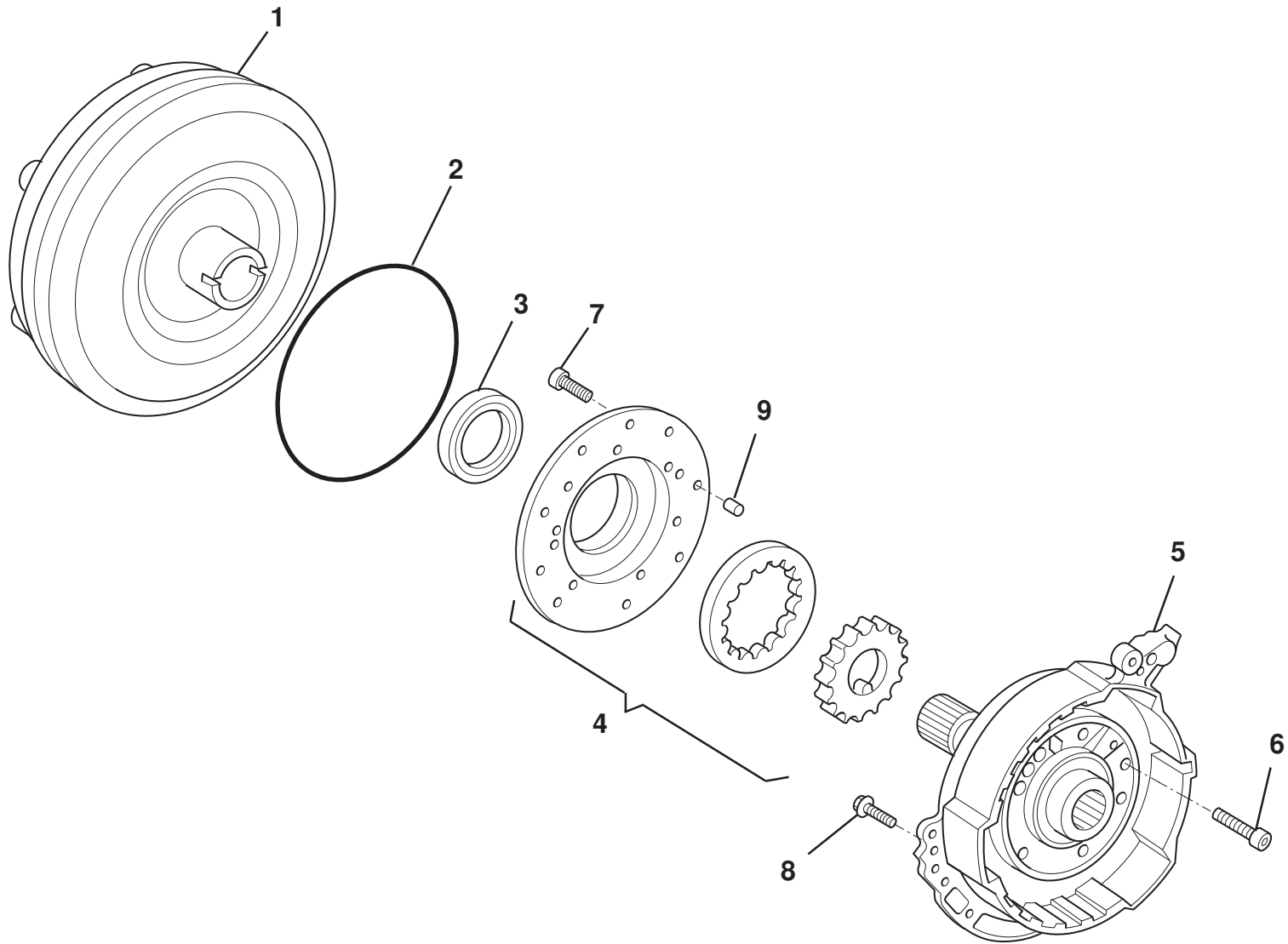
---

**Function Code 47.07 Gears, Shafts & Bearings**

| <u>Dep</u> | <u>Part Description</u>            | <u>Remarks</u> | <u>Option</u> | <u>Part Number</u> | <u>Qty</u> |
|------------|------------------------------------|----------------|---------------|--------------------|------------|
| 68n        | Shim, bearing to shaft, Q, 2.50mm  |                |               | A132F6230S         | 1          |
| 68o        | Shim, bearing to shaft, R, 2.55mm  |                |               | A132F6231S         | 1          |
| 68p        | Shim, bearing to shaft, S, 2.60mm  |                |               | A132F6232S         | 1          |
| 68q        | Shim, bearing to shaft, T, 2.65mm  |                |               | A132F6233S         | 1          |
| 69         | Screw, hex. flg. hd., plate fixing |                |               | A120F6027S         | 2          |
| 70         | Detent Ball, output shaft          |                |               | A131F6056S         | 1          |
| 71         | Bearing, needle roller             |                |               | A132F6153S         | 1          |
| 72         | Bearing, needle roller             |                |               | A132F6155S         | 1          |

\*Any gear that is unavailable  
must be replaced by complete set  
as listed also reshim shafts as  
per Toyota specification

---



**EVORA**  
47.08

*Updated 22nd May 2012*



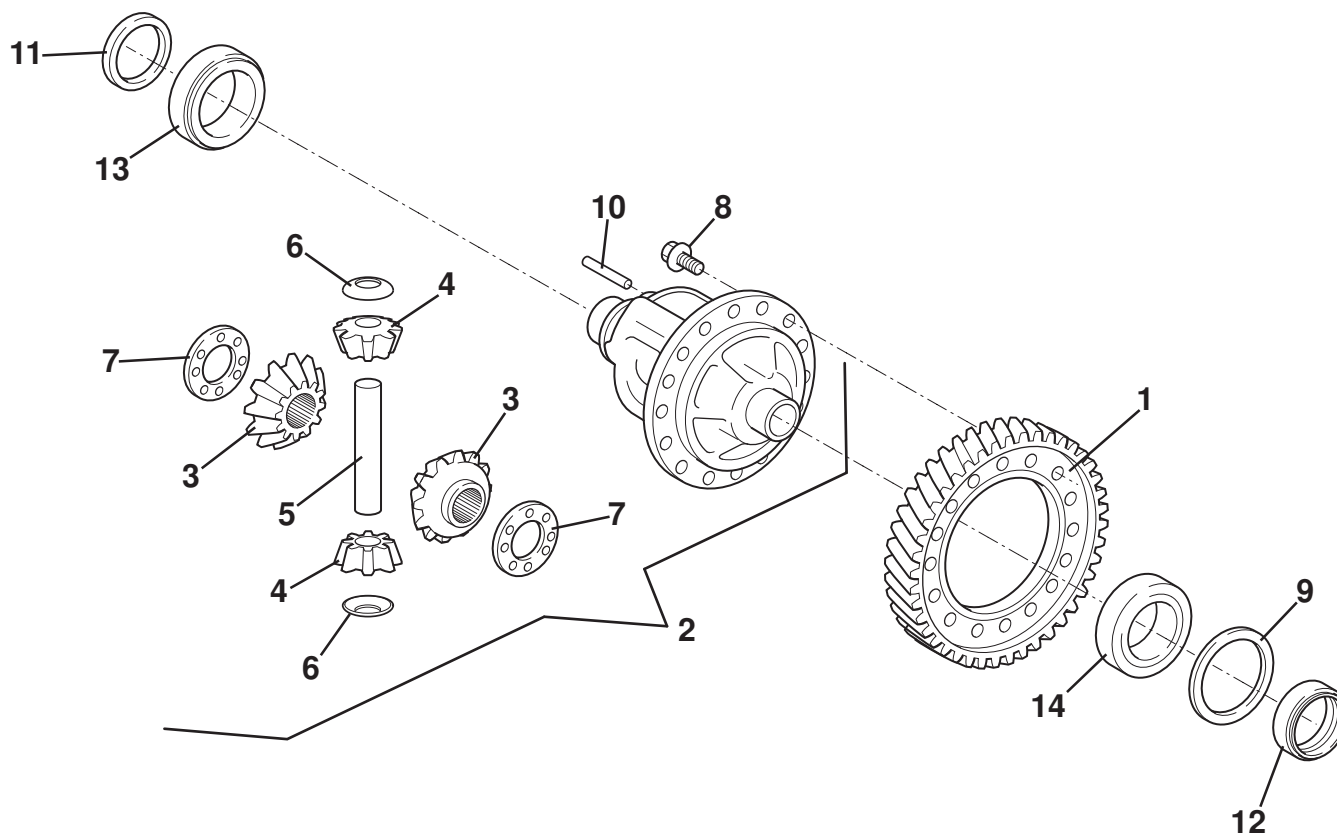
# Service Parts List



## Function Code 47.08 Torque Converter

| <u>Dep</u> | <u>Part Description</u>        | <u>Remarks</u> | <u>Option</u> | <u>Part Number</u> | <u>Qty</u> |
|------------|--------------------------------|----------------|---------------|--------------------|------------|
| 01         | Torque Converter               |                |               | A132F6294S         | 1          |
| 02         | O' Ring                        |                |               | A132F6308S         | 1          |
| 03         | Oil Seal                       |                |               | A132F6309S         | 1          |
| 04         | Front Oil Pump & Gear Assembly |                |               | A132F6310S         | 1          |
| 05         | Shaft Assembly                 |                |               | A132F6311S         | 1          |
| 06         | Screw                          |                |               | A132F6312S         | 7          |
| 07         | Screw                          |                |               | A132F6312S         | 9          |
| 08         | Bolt                           |                |               | A132F6313S         | 9          |
| 09         | Pin                            |                |               | A132F6314S         | 1          |





**EVORA**  
47.11

2010/01

# Service Parts List



## Function Code 47.11 Final Drive & Bearings

| <u>Dep</u> | <u>Part Description</u>                       | <u>Remarks</u> | <u>Option</u> | <u>Part Number</u> | <u>Qty</u> |
|------------|---|----------------|---------------|--------------------|------------|
| 01         | Gear, differential ring                       |                |               | A132F6110S         | 1          |
| 02         | Differential Assembly                         |                |               | A132F6111S         | 1          |
| 03         | Gear, differential side                       |                |               | A132F6112S         | 2          |
| 04         | Pinion, differential                          |                |               | A132F6113S         | 2          |
| 05         | Shaft, differential pinion                    |                |               | A132F6114S         | 1          |
| 06         | Thrust Washer, differential pinion            |                |               | A132F6115S         | 2          |
| 07         | Thrust Washer, differential side gear, 1.25mm |                |               | A132F6116S         | 2          |
| 07         | Thrust Washer, differential side gear, 1.30mm |                |               | A132F6127S         | 2          |
| 07a        | Thrust Washer, differential side gear, 1.35mm |                |               | A132F6117S         | 2          |
| 07b        | Thrust Washer, differential side gear, 1.40mm |                |               | A132F6118S         | 2          |
| 07c        | Thrust Washer, differential side gear, 1.45mm |                |               | A132F6119S         | 2          |
| 07d        | Thrust Washer, differential side gear, 1.50mm |                |               | A132F6120S         | 2          |
| 07e        | Thrust Washer, differential side gear, 1.55mm |                |               | A132F6121S         | 2          |
| 07f        | Thrust Washer, differential side gear, 1.60mm |                |               | A132F6122S         | 2          |
| 07g        | Thrust Washer, differential side gear, 1.65mm |                |               | A132F6123S         | 2          |
| 07h        | Thrust Washer, differential side gear, 1.70mm |                |               | A132F6125S         | 2          |
| 07i        | Thrust Washer, differential side gear, 1.75mm |                |               | A132F6125S         | 2          |
| 07j        | Thrust Washer, differential side gear, 1.80mm |                |               | A132F6126S         | 2          |

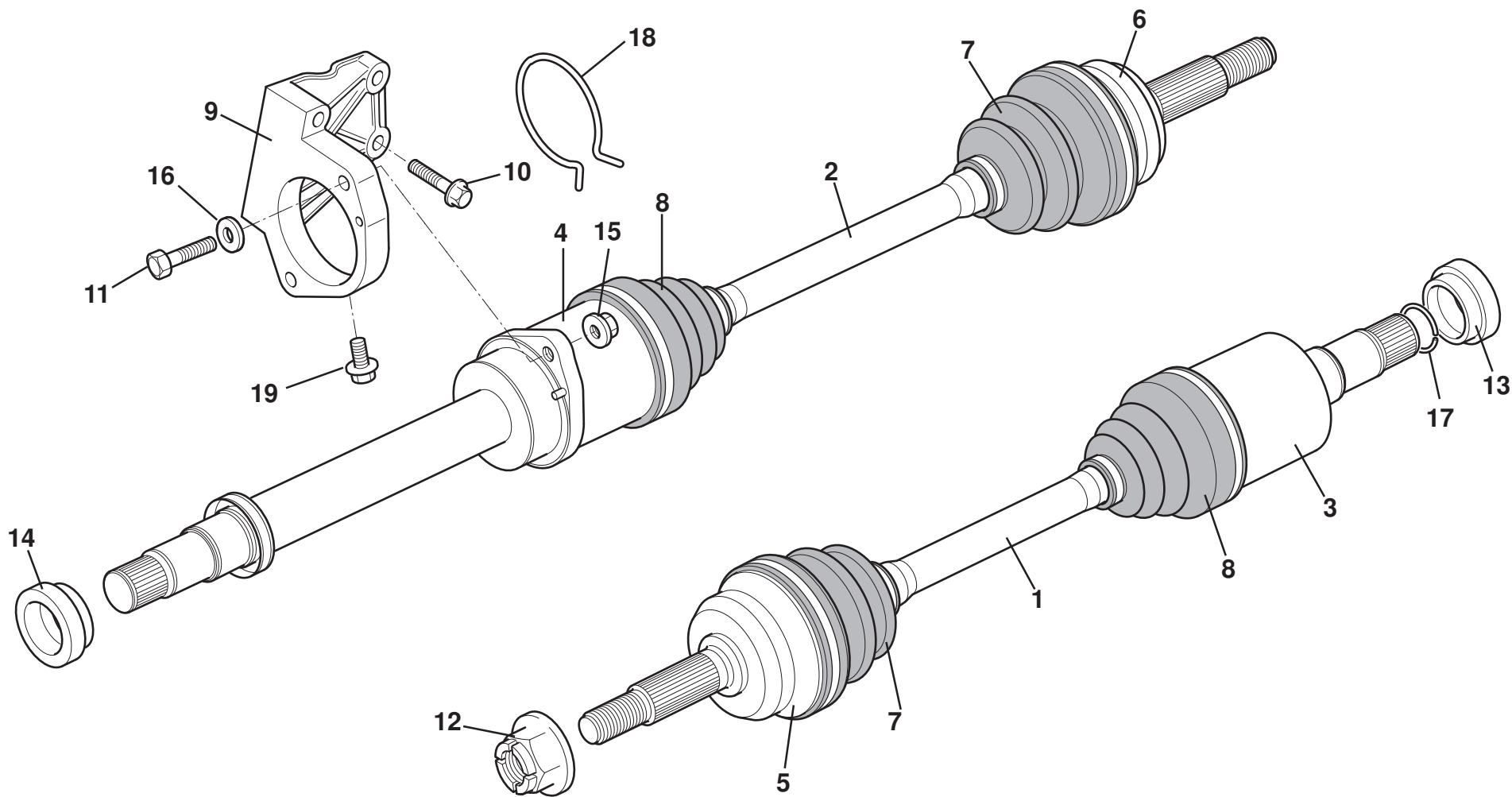


---

**Function Code 47.11 Final Drive & Bearings**

| <u>Dep</u> | <u>Part Description</u>                       | <u>Remarks</u> | <u>Option</u> | <u>Part Number</u> | <u>Qty</u> |
|------------|---|----------------|---------------|--------------------|------------|
| 07k        | Thrust Washer, differential side gear, 1.85mm |                |               | A132F6128S         | 2          |
| 07l        | Thrust Washer, differential side gear, 1.90mm |                |               | A132F6129S         | 2          |
| 07m        | Thrust Washer, differential side gear, 1.95mm |                |               | A132F6130S         | 2          |
| 08         | Screw, hex. flg. hd., gear to differential    |                |               | A132F6135S         | 16         |
| 09         | Shim, bearing to housing, 0, 2.00mm           |                |               | A132F6234S         | 1          |
| 09a        | Shim, bearing to housing, 1, 2.05mm           |                |               | A132F6235S         | 1          |
| 09b        | Shim, bearing to housing, 2, 2.10mm           |                |               | A132F6236S         | 1          |
| 09c        | Shim, bearing to housing, 3, 2.15mm           |                |               | A132F6237S         | 1          |
| 09d        | Shim, bearing to housing, 4, 2.20mm           |                |               | A132F6238S         | 1          |
| 09e        | Shim, bearing to housing, 5, 2.25mm           |                |               | A132F6239S         | 1          |
| 09f        | Shim, bearing to housing, 6, 2.30mm           |                |               | A132F6240S         | 1          |
| 09g        | Shim, bearing to housing, 7, 2.35mm           |                |               | A132F6241S         | 1          |
| 09h        | Shim, bearing to housing, 8, 2.40mm           |                |               | A132F6242S         | 1          |
| 09i        | Shim, bearing to housing, 9, 2.45mm           |                |               | A132F6243S         | 1          |
| 10         | Pin, gear to casing                           |                |               | A120F6216S         | 1          |
| 11         | Oil Seal, output, RH                          | Also see 47.15 |               | A132F6145S         | 1          |
| 12         | Oil Seal, output, LH                          | Also see 47.15 |               | A132F6146S         | 1          |
| 13         | Bearing, tapered roller                       |                |               | A132F6162S         | 1          |
| 14         | Bearing, tapered roller                       |                |               | A132F6163S         | 1          |

---



**EVORA**  
47.15

*Updated 16th January 2013*

# Service Parts List



## Function Code 47.15 Driveshafts & Seals

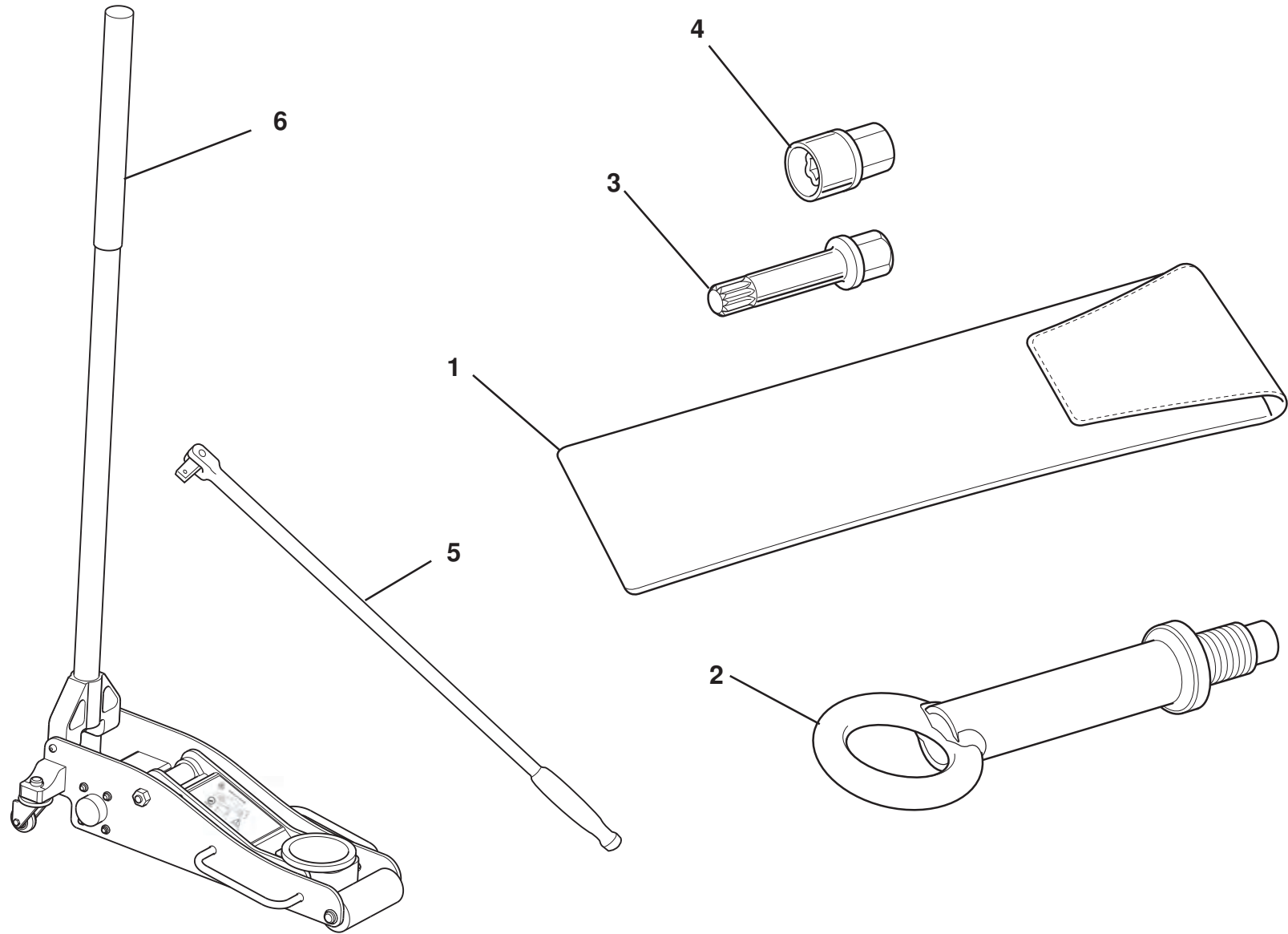
| <u>Dep</u> | <u>Part Description</u>                         | <u>Remarks</u>                               | <u>Option</u>         | <u>Part Number</u>   | <u>Qty</u> |
|------------|---|--|-----------------------|----------------------|------------|
| 01         | Driveshaft Assembly, LH                         |  |                       | <b>B132F0009F</b>    | 1          |
| 01a        | Driveshaft Assembly, LH                         |  | Auto (NA & S/Charged) | <b>A132F0057F</b>    | 1          |
| 02         | Driveshaft Assembly, RH                         |  |                       | <b>B132F0010F</b>    | 1          |
| 02a        | Driveshaft Assembly, RH                         |  | Auto (NA & S/Charged) | <b>A132F0058F</b>    | 1          |
| 03         | CV Joint kit, inner, LH                         | Includes gaiter, clips, snap ring and grease |                       | <b>A132D6011S</b>    | 1          |
| 03a        | CV Joint, inner, LH                             |  | Auto (NA & S/Charged) | <b>A132F0069F</b>    | 1          |
| 04         | CV Joint kit, inner, RH                         | Includes gaiter, clips and grease            |                       | <b>A132D6012S</b>    | 1          |
| 04b        | CV Joint, inner, RH                             |  | Auto (NA & S/Charged) | <b>A132F0070F</b>    | 1          |
| 05         | CV Joint, outer kit, LH                         | Includes shaft, gaiters, clips and grease    |                       | <b>A132D6009S</b>    | 1          |
| 05a        | CV Joint, outer kit, LH                         |  | Auto (NA & S/Charged) | <b>Not Available</b> |            |
| 06         | CV Joint, outer kit, RH                         | Includes shaft, gaiters, clips and grease    |                       | <b>A132D6010S</b>    | 1          |
| 06a        | CV Joint, outer kit, RH                         |  | Auto (NA & S/Charged) | <b>Not Available</b> | 1          |
| 07         | Gaiter Kit, driveshaft set (inboard & outboard) | Includes clips and grease                    |                       | <b>A132D6007S</b>    | 2          |
| 08         | Gaiter Kit, inboard                             | Includes clips, snap ring, grease            |                       | <b>A132D6008S</b>    | 2          |
| 08a        | Gaiter Kit, inboard                             | Includes clips, snap ring, grease            | Auto (NA & S/Charged) | <b>A132F6320S</b>    | 2          |
| 09         | Bracket, intermediate drive shaft, manual       |  |                       | <b>A132F0008F</b>    | 1          |
| 09a        | Bracket, driveshaft bearing                     |  | Auto (NA & S/Charged) | <b>A132F6276F</b>    | 1          |



---

**Function Code 47.15 Driveshafts & Seals**

| <u>Dep</u> | <u>Part Description</u>                    | <u>Remarks</u> | <u>Option</u>         | <u>Part Number</u> | <u>Qty</u> |
|------------|--|----------------|-----------------------|--------------------|------------|
| 10         | Bolt, flg. hd., bracket to block           |                |                       | A132E6062H         | 3          |
| 11         | Bolt, M10 x 50. hex. hd , bracket to shaft |                |                       | A132W2045F         | 2          |
| 12         | Locknut, M24, flange, driveshaft to hub    |                |                       | A132F6029F         | 2          |
| 13         | Oil Seal, output, LH                       |                |                       | A132F6146S         | 1          |
| 13a        | Oil Seal, output, LH                       |                | Auto (NA & S/Charged) | A132F0192S         | 1          |
| 14         | Oil Seal, output, RH                       |                |                       | A132F6145S         | 1          |
| 14a        | Oil Seal, output, RH                       |                | Auto (NA & S/Charged) | A132F0193S         | 1          |
| 15         | Nut M10 hex flg                            |                |                       | A132W3007F         | 2          |
| 16         | Washer 7/16 x 7/8                          |                |                       | B120W4199F         | 2          |
| 17         | Circlip, driveshaft                        |                |                       | A132F6315S         | 1          |
| 18         | Snap Ring, drive shaft bearing bracket     |                | Auto (NA & S/Charged) | A132F6277H         | 1          |
| 19         | Bolt, flg. hd., shaft lock                 |                | Auto (NA & S/Charged) | A132F6278H         | 1          |



**EVORA**  
60.01

*Updated 1st March 2016*



# Service Parts List

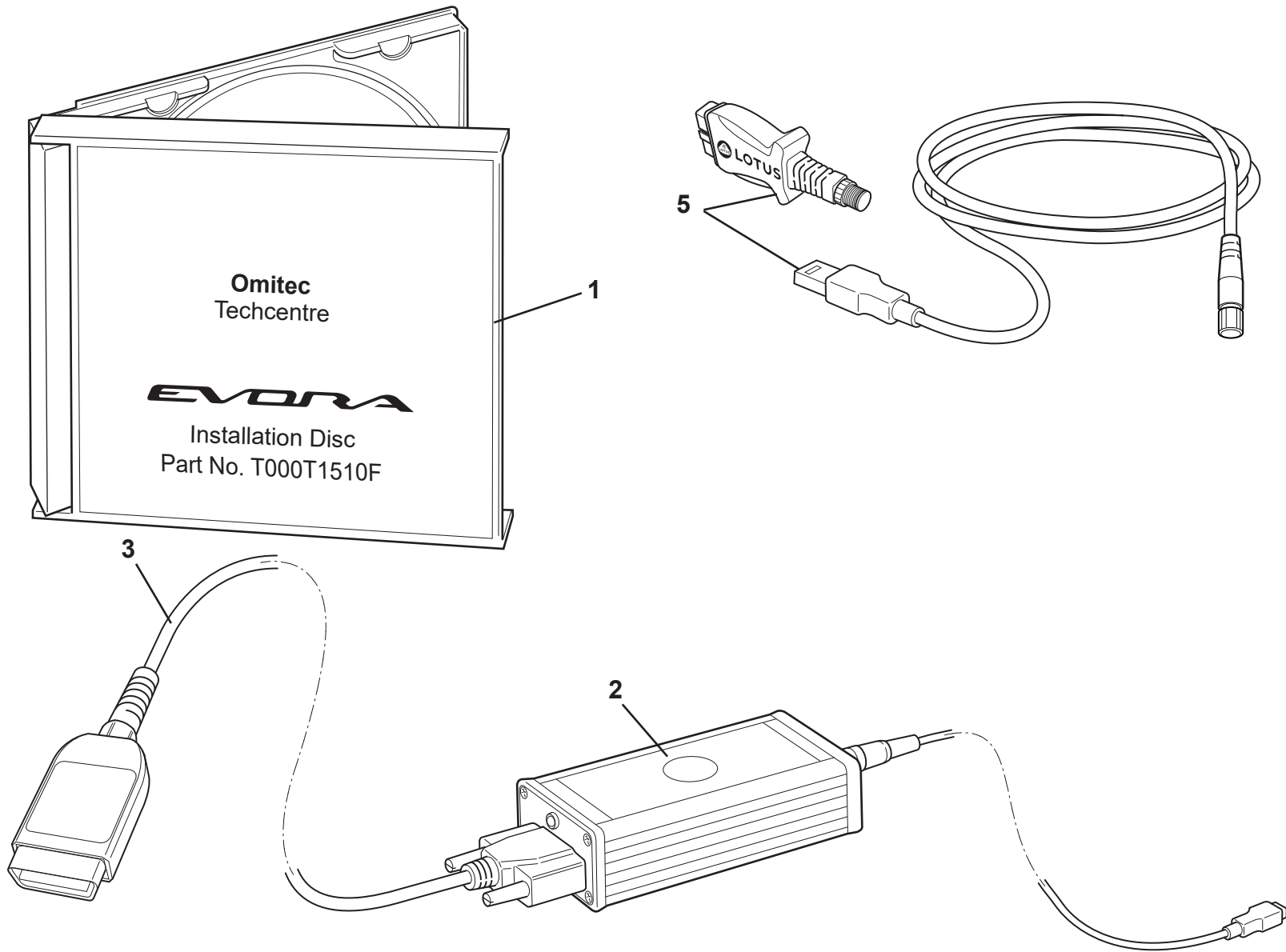


## Function Code 60.01 Tool Kit

| <u>Dep</u> | <u>Part Description</u> | <u>Remarks</u>                   | <u>Option</u> | <u>Part Number</u> | <u>Qty</u> |
|------------|-------------------------|----------------------------------|---------------|--------------------|------------|
| 01         | Tool Pouch              |                                  |               | A132T0003F         | 1          |
| 02         | Towing Eye              | Also see 10.31                   |               | A132A0374F         | 1          |
| 03         | Adaptor, wheelbolt      | Also see 34.01                   |               | A132G6003F         | 1          |
| 04         | Security Wheelbolt Kit  | Also see 34.01*                  |               | A132G0047F         | 1          |
| 05         | Wheel Wrench            | To be confirmed                  | Gulf States   | A138T6002F         | 1          |
| 06         | Trolley Jack            | To be confirmed                  | Gulf States   | A138T6005F         | 1          |
| 07         | First Aid Kit           | Not Illustrated, To be confirmed | Gulf States   | A120T6001F         | 1          |
| 08         | Warning Triangle        | Not Illustrated, To be confirmed | Gulf States   | A120T6002F         | 1          |

\* For replacement keys contact  
Technical Service, quoting ID





**EVORA**  
60.01a

*Updated 1st June 2021*

# Service Parts List

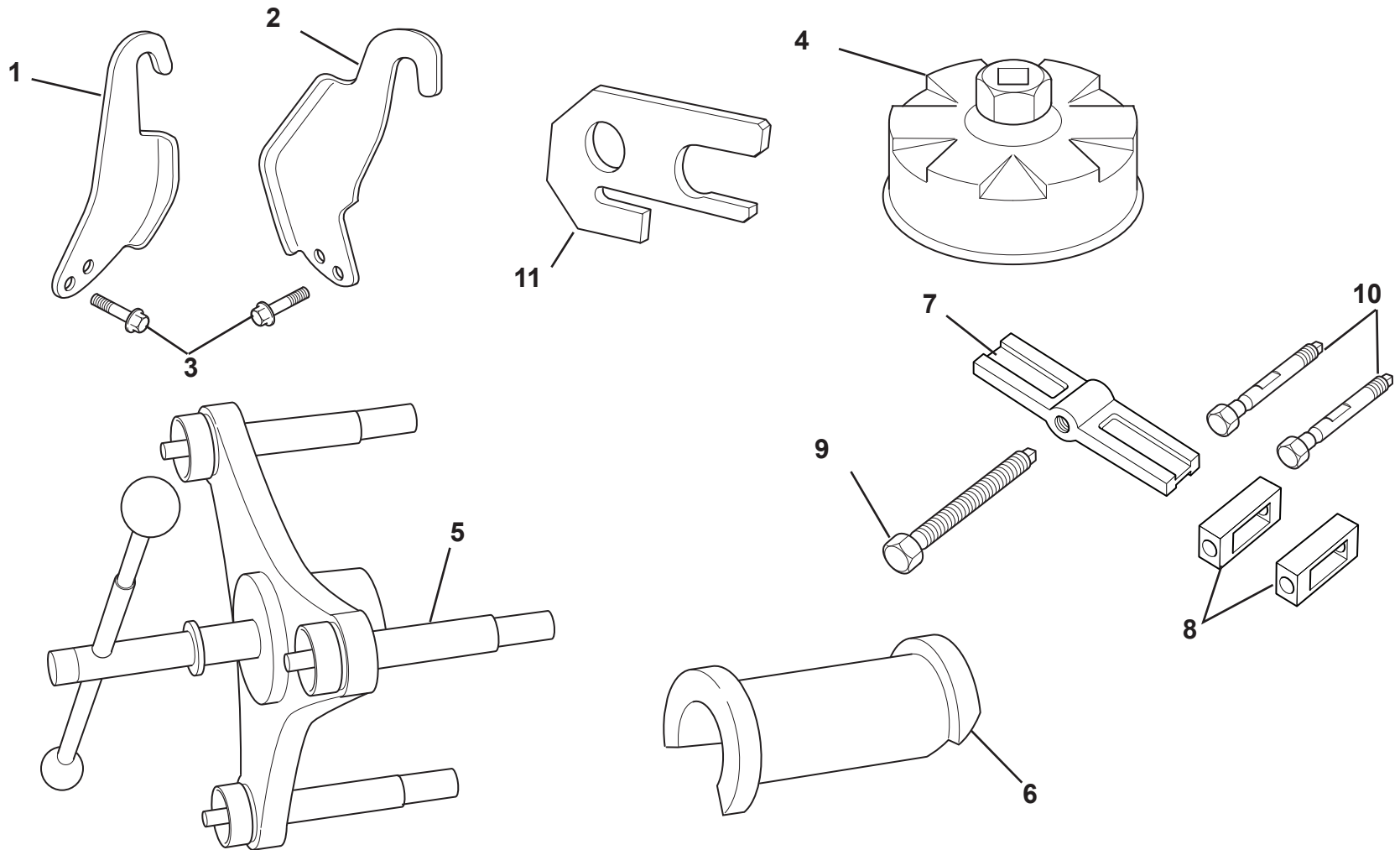
# EVORA



## Function Code 60.01a Diagnostic Equipment

| <u>Dep</u> | <u>Part Description</u>                        | <u>Remarks</u>                              | <u>Option</u> | <u>Part Number</u> | <u>Qty</u> |
|------------|--|---|---------------|--------------------|------------|
| 01         | Techcentre Evora Installation Disc             |   |               | T000T1510F         | 1          |
| 02         | Kit, Vehicle Communication Device              | Includes leads (yellow, 2x USB)<br>and case |               | T000T1472F         | 1          |
| 03         | Lead, Programming communications, yellow       |   |               | T000T1497F         | 1          |
| 04         | Lead, Vehicle Communication Device (VCD) to PC | Not illustrated                             |               | T000T1537F         | 1          |
| 05         | Vehicle Communication Interface (VCI) 20/20    |   |               | T000T1544F         | 1          |

EVORA



**EVORA**  
60.02

*Updated 1st June 2021*

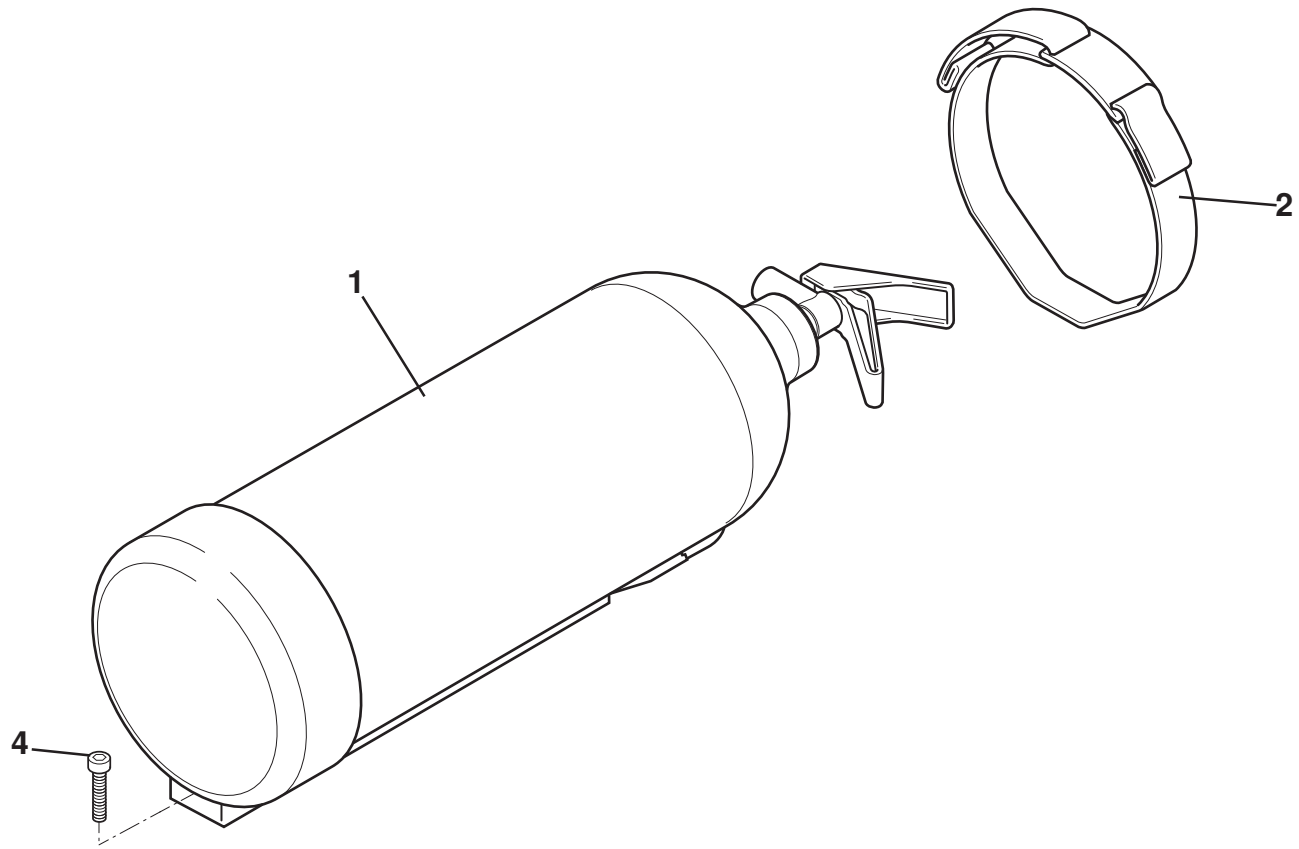
# Service Parts List



## Function Code 60.02 Special Tools

| <u>Dep</u> | <u>Part Description</u>                  | <u>Remarks</u>                          | <u>Option</u> | <u>Part Number</u> | <u>Qty</u> |
|------------|--|---|---------------|--------------------|------------|
| 01         | Hanger, engine, LH                       |   |               | A132E6183S         | 1          |
| 02         | Hanger, engine, RH                       |   |               | A132E6182S         | 1          |
| 03         | Flange bolt, engine hanger               |   |               | A132E6184S         | 4          |
| 04         | Oil Filter Wrench                        |   |               | T000T1441F         | 1          |
| 05         | Column Spacer Tool                       | For use when steering wheel removed     |               | T000T1519F         | 1          |
| 06         | Clutch Tool                              | For use when fitting clutch to flywheel |               | T000T1524F         | 1          |
| 07         | Crank Pulley Removal Tool                |   |               | T000T1512F         | 1          |
| 08         | Slide Arm, crank pulley removal tool     |   |               | T000T1513F         | 1          |
| 09         | Centre Bolt, , crank pulley removal tool |   |               | T000T1514F         | 1          |
| 10         | Claw, crank pulley removal tool          |   |               | T000T1515F         | 1          |
| 11         | Door Handle Setting tool                 |   |               | T000T1529F         | 1          |





**EVORA**  
60.03

*Updated 1st December 2013*

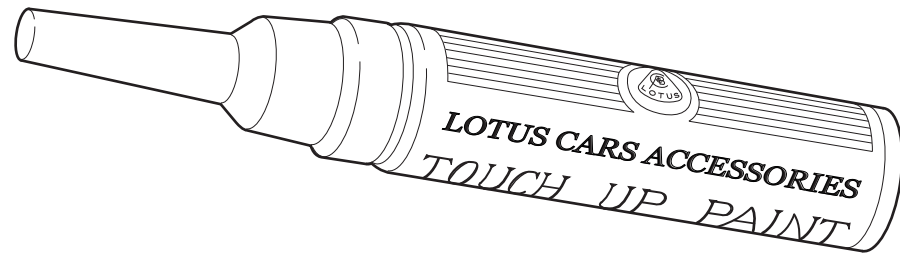
# Service Parts List



## Function Code 60.03 Fire Extinguisher, Gulf States

| <u>Dep</u> | <u>Part Description</u>                               | <u>Remarks</u> | <u>Option</u> | <u>Part Number</u> | <u>Qty</u> |
|------------|---|----------------|---------------|--------------------|------------|
| 01         | Fire Extinguisher, 2 kg, GCC                          |                |               | A120T6000F         | 1          |
| 02         | Strap Assembly, fire extinguisher retention           |                |               | A120U0135F         | 1          |
| 03         | Screw, M5 x 25, cap skt. hd., extinguisher to bracket |                |               | A132W7001F         | 4          |





**EVORA**

**80.20a**

*2010/01*



# Service Parts List



## Function Code 80.20a Touch-in Paint Pencil Range

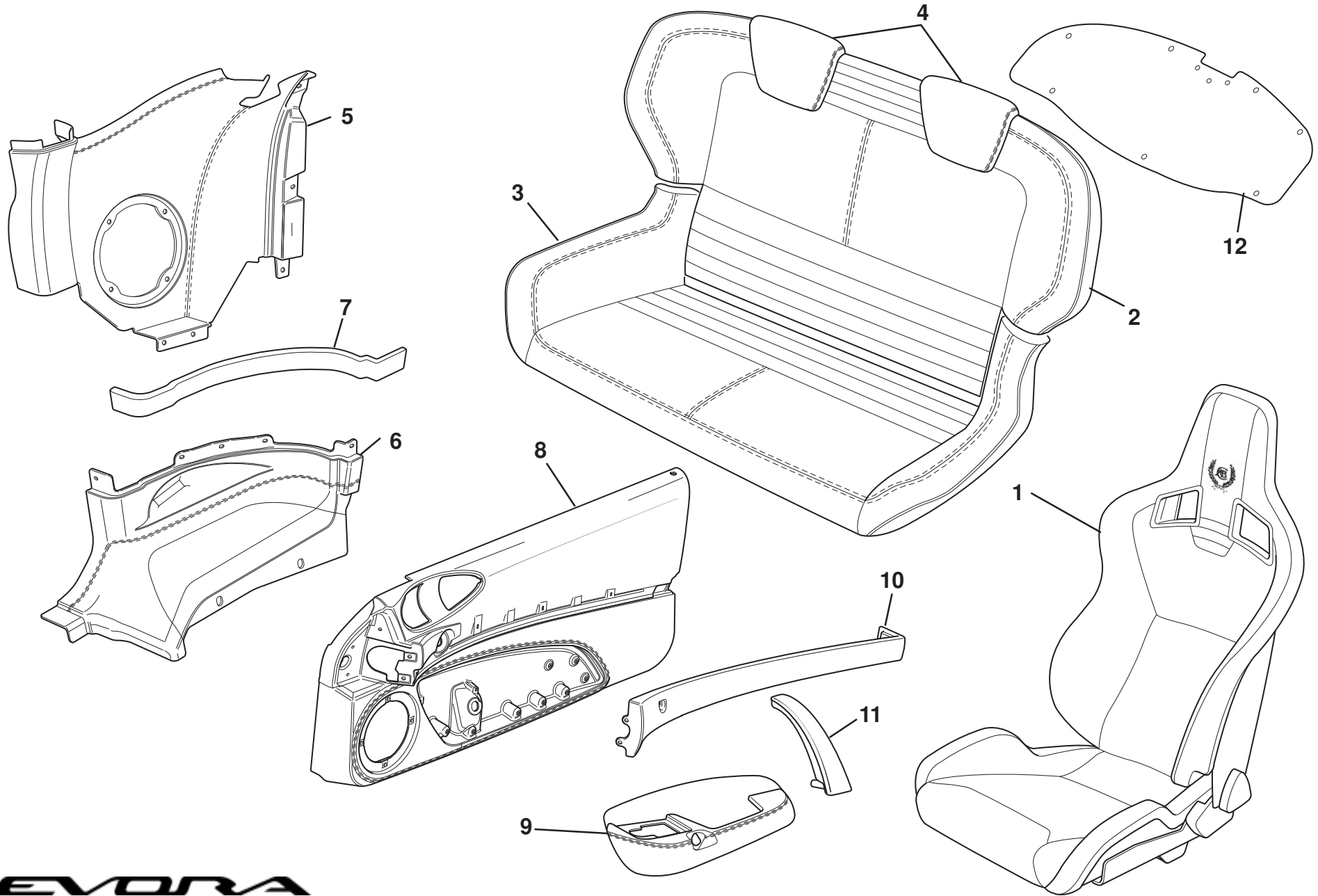
| <u>Dep</u> | <u>Part Description</u>       | <u>Remarks</u> | <u>Option</u> | <u>Part Number</u> | <u>Qty</u> |
|------------|-------------------------------|----------------|---------------|--------------------|------------|
| 75         | B75, Motorsport Green         |                |               | A120B6086S         | 1          |
| 93         | B93, Starlight Black Metallic |                |               | A082B6402F         | 1          |
| 94         | B94, Ardent Red               |                |               | A082B6400F         | 1          |
| 105        | B105, Nightfall Blue          |                |               | A082B6415F         | 1          |
| 106        | B106, Saffron Yellow          |                |               | A082B6416F         | 1          |
| 111        | B111, Motorsport Black        |                |               | A120B6045S         | 1          |
| 113        | B113, Aspen White             |                |               | A120B6028S         | 1          |
| 114        | B114, Solar Yellow            |                |               | A120B6029S         | 1          |
| 115        | B115, Silver                  |                |               | A120B6030S         | 1          |
| 119        | B119, Racing Green            |                |               | A120B6034S         | 1          |
| 120        | B120, Laser Blue              |                |               | A120B6035S         | 1          |
| 122        | B122, Graphite Grey           |                |               | A120B6037S         | 1          |
| 123        | B123, Phantom Black           |                |               | A120B6038S         | 1          |
| 127        | B127, Prism Green             |                |               | A120B6047S         | 1          |
| 128        | B128, Moonstone               |                |               | A120B6048S         | 1          |
| 129        | B129, Ice White               |                |               | A120B6049S         | 1          |
| 130        | B130, Arctic Silver           |                |               | A120B6050S         | 1          |
| 131        | B131, Persian Blue            |                |               | A120B6044S         | 1          |

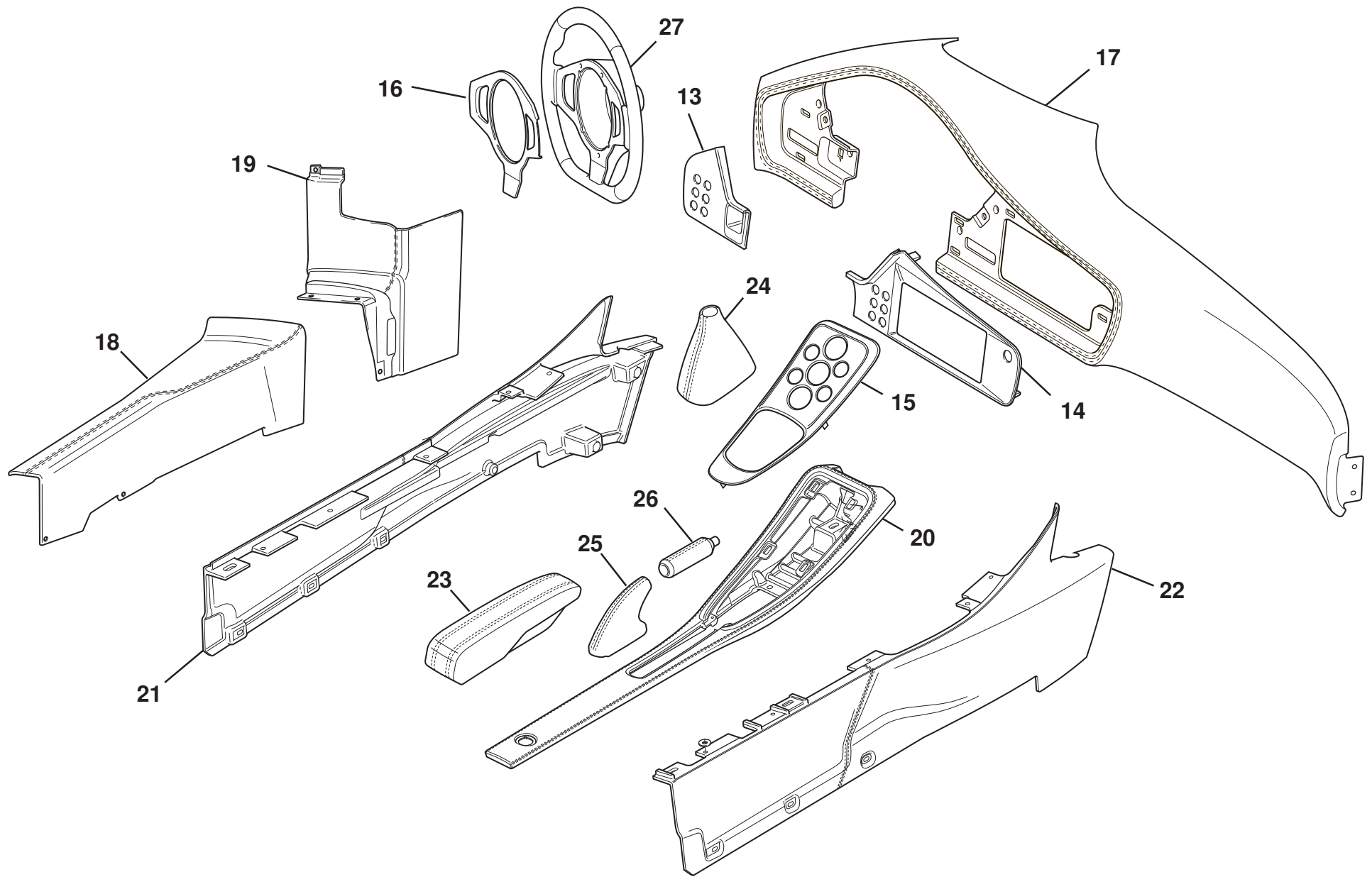


---

**Function Code 80.20a Touch-in Paint Pencil Range**

| <u>Dep</u> | <u>Part Description</u> | <u>Remarks</u> | <u>Option</u> | <u>Part Number</u> | <u>Qty</u> |
|------------|-------------------------|----------------|---------------|--------------------|------------|
| 132        | B132, Isotope           |                |               | A120B6051S         | 1          |
| 133        | B133, Liquid Blue       |                |               | A120B6052S         | 1          |
| 134        | B134, Candy Red         |                |               | A120B6053S         | 1          |
| 135        | B135, Burnt Orange      |                |               | A120B6054S         | 1          |
| 137        | B137, Carbon Grey       |                |               | A120B6062S         | 1          |
| 138        | B138, Aquamarine        |                |               | A120B6063S         | 1          |
| 139        | B139, Lotus Quartz      |                |               | A120B6064S         | 1          |
| 147        | C147, Frost Blue        |                |               | A132B6104S         | 1          |
| 148        | C148, Autumn Bronze     |                |               | A132B6105S         | 1          |
| 149        | C149, Velvet Red        |                |               | A120B6087S         | 1          |
| 150        | C150, Amethyst Grey     |                |               | A132B6106S         | 1          |
| 151        | C151, Sienna Brown      |                |               | A120B6088S         | 1          |

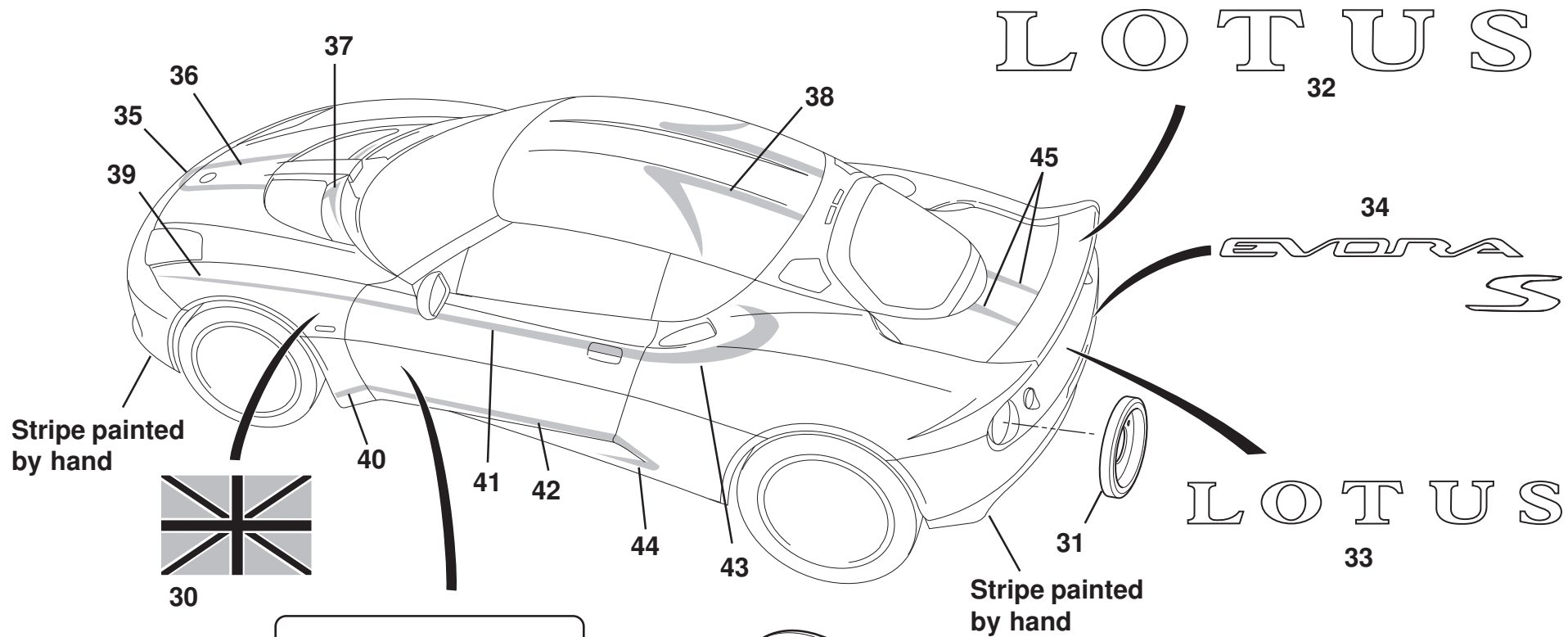




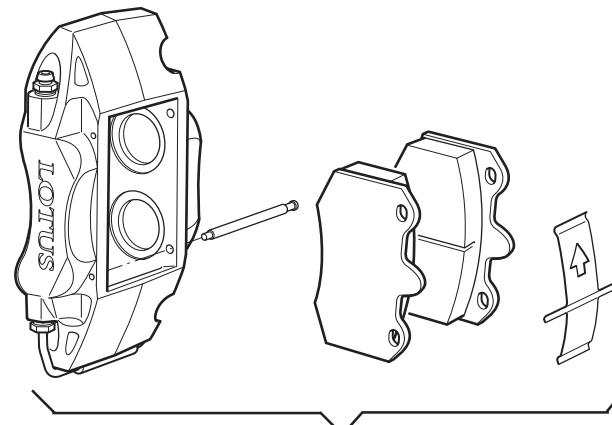
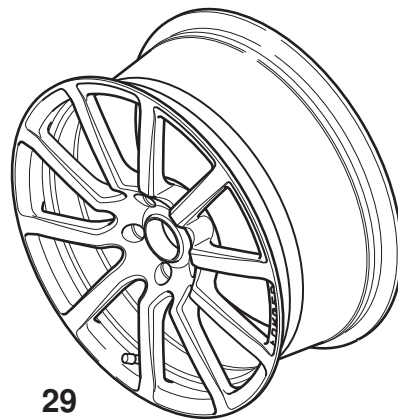
**EVORA**

99.01 page 2

*Updated 6th June 2012*



46



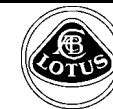
**EVORA**

99.01 page 3

*Updated 6th June 2012*

# Service Parts List

# EVORA



## Function Code 99.01 GP Edition

| <u>Dep</u> | <u>Part Description</u>                                      | <u>Remarks</u>                 | <u>Option</u> | <u>Part Number</u> | <u>Qty</u> |
|------------|--|--------------------------------|---------------|--------------------|------------|
| 01         | Front Seat, LH, black leather, heated                        | Red stitching, To be confirmed |               |                    | 1          |
| 01a        | Front Seat, RH, black leather, heated                        | Red stitching, To be confirmed |               |                    | 1          |
| 02         | Seat Backrest Assembly, rear, black leather*                 | Red stitching                  |               | <b>A132V0738S</b>  | 1          |
| 03         | Seat Cushion Assembly, rear, black leather*                  | Red stitching                  |               | <b>A132V0739S</b>  | 1          |
| 04         | Headrest, rear seat, black leather*                          | Red stitching                  |               | <b>A132V0740S</b>  | 2          |
| 05         | Trim Panel, rear quarter upper, LH, black leather*           | Red stitching                  |               | <b>A132V4703S</b>  | 1          |
| 05a        | Trim Panel, rear quarter upper, RH, black leather*           | Red stitching                  |               | <b>A132V4704S</b>  | 1          |
| 06         | Trim Panel, rear quarter lower, LH, black leather*           | Red stitching                  | MY11          | <b>A132V4893S</b>  | 1          |
| 06a        | Trim Panel, rear quarter lower, LH, black leather*           | Red stitching                  | MY12 USA      | <b>A132V4723S</b>  | 1          |
| 06b        | Trim Panel, rear quarter lower, RH, black leather*           | Red stitching                  | MY11          | <b>A132V4894S</b>  | 1          |
| 06c        | Trim Panel, rear quarter lower, RH, black leather*           | Red stitching                  | MY12 USA      | <b>A132V4724S</b>  | 1          |
| 07         | Trim Finisher, rear quarter panel LH, suedetex*              |                                |               | <b>A132V4745S</b>  | 1          |
| 07a        | Trim Finisher, rear quarter panel RH, suedetex*              |                                |               | <b>A132V4746S</b>  | 1          |
| 08         | Front Door Trim Panel Assembly, LH, RHD*                     | Red stitching                  |               | <b>A132V4791S</b>  | 1          |
| 08a        | Front Door Trim Panel Assembly, LH, LHD*                     | Red stitching                  |               | <b>A132V4793S</b>  | 1          |
| 08b        | Front Door Trim Panel Assembly, RH, RHD*                     | Red stitching                  |               | <b>A132V4792S</b>  | 1          |
| 08c        | Front Door Trim Panel Assembly, RH, LHD*                     | Red stitching                  |               | <b>A132V4794S</b>  | 1          |
| 09         | Stowage Pocket/Switch Panel Assy, trimmed, LH RHD, suedetex* | Red stitching                  |               | <b>A132V4911S</b>  | 1          |

EVORA

**Function Code 99.01 GP Edition**

| <u>Dep</u> | <u>Part Description</u>                                      | <u>Remarks</u> | <u>Option</u> | <u>Part Number</u> | <u>Qty</u> |
|------------|--|----------------|---------------|--------------------|------------|
| 09a        | Stowage Pocket/Switch Panel Assy, trimmed, LH LHD, suedetex* | Red stitching  |               | A132V4913S         | 1          |
| 09b        | Stowage Pocket/Switch Panel Assy, trimmed, RH RHD, suedetex* | Red stitching  |               | A132V4912S         | 1          |
| 09c        | Stowage Pocket/Switch Panel Assy, trimmed, RH LHD, suedetex* | Red stitching  |               | A132V4914S         | 1          |
| 10         | Door Trim Insert Panel, LH, suedetex*                        |                |               | A132V4819S         | 1          |
| 10a        | Door Trim Insert Panel, RH, suedetex*                        |                |               | A132V4820S         | 1          |
| 11         | Door Pull Handle Assembly, trimmed inner, LH*                |                | MY11          | A132V4201J         | 1          |
| 11a        | Door Pull Handle Assembly, fully trimmed, LH*                |                | MY12 USA      | A132V5055S         | 1          |
| 11b        | Door Pull Handle Assembly, trimmed inner, RH*                |                | MY11          | A132V4202J         | 1          |
| 11c        | Door Pull Handle Assembly, fully trimmed, RH*                |                | MY12 USA      | A132V5056S         | 1          |
| 11d        | Door Pull Handle Inner, trimmed, LH*                         | Black leather  |               | A132V4363S         | 1          |
| 11e        | Door Pull Handle Inner, trimmed, RH*                         | Black leather  |               | A132V4364S         | 1          |
| 11f        | Door Pull Handle Cover LH*                                   |                | MY11          | A132V4147F         | 1          |
| 11g        | Door Pull Handle Cover, trimmed, LH*                         | Black leather  | MY12 USA      | A132V5069S         | 1          |
| 11h        | Door Pull Handle Cover, RH*                                  |                | MY11          | A132V4148F         | 1          |
| 11i        | Door Pull Handle Cover, trimmed RH*                          | Black leather  | MY12 USA      | A132V5070S         | 1          |
| 12         | Trim Panel Tailgate, suedetex                                | Red stitching  |               | A132V0756S         | 1          |
| 13         | Switch Panel, LH, LHD, black                                 |                |               | A232U4531F         | 1          |
| 13a        | Switch Panel, LH, RHD, black                                 |                |               | A232U4532F         | 1          |
| 14         | Switch Panel, RH, LHD, black                                 |                |               | A132U4527F         | 1          |



**Function Code 99.01 GP Edition**

| <u>Dep</u> | <u>Part Description</u>                                   | <u>Remarks</u>                | <u>Option</u> | <u>Part Number</u> | <u>Qty</u> |
|------------|---|-------------------------------|---------------|--------------------|------------|
| 14a        | Switch Panel, RH, RHD, black                              |                               |               | A132U4528F         | 1          |
| 15         | Panel, HVAC finisher, manual, black                       |                               |               | A132U0641F         | 1          |
| 15a        | Panel, HVAC finisher, auto, black                         |                               |               | A132U0654F         | 1          |
| 16         | Finisher Trim, steering wheel, black                      |                               |               | A132V0333F         | 1          |
| 17         | Trim Panel, switch & instruments surround, LHD, suedetex* | Red stitching                 |               | A132V4889S         | 1          |
| 17a        | Trim Panel, switch & instruments surround, RHD, suedetex* | Red stitching                 |               | A132V4890S         | 1          |
| 18         | Sill Trim Panel Assembly, LH*                             | Red stitching, no tread plate | MY11          | A132V4915S         | 1          |
| 18a        | Sill Trim Panel Assembly, RH*                             | Red stitching, no tread plate | MY11          | A132V4916S         | 1          |
| 18b        | Sill Trim Panel Assembly, LH*                             | Red stitching, tread plate    | MY12 USA      | A132V4975S         | 1          |
| 18c        | Sill Trim Panel Assembly, RH*                             | Red stitching, tread plate    | MY12 USA      | A132V4976S         | 1          |
| 19         | Trim Panel, 'A' post lower, LH*                           | Red stitching                 |               | A132V4879S         | 1          |
| 19a        | Trim Panel, 'A' post lower, RH*                           | Red stitching                 |               | A132V4880S         | 1          |
| 20         | Centre Console, upper, armrest, suedetex*                 | Red stitching                 |               | A132V0750S         | 1          |
| 21         | Centre Console, side, LH armrest, leather*                | Red stitching                 |               | A132V4975S         | 1          |
| 22         | Centre Console, side, RH armrest, leather*                | Red stitching                 |               | A132V4976S         | 1          |
| 23         | Armrest Assembly, suedetex*                               | Red stitching                 |               | A132V0751S         | 1          |
| 24         | Gaiter, gearlever, suedetex*                              | Red stitching                 |               | A132V0752S         | 1          |
| 25         | Gaiter, parking brake lever, suedetex*                    | Red stitching                 |               | A132V0753S         | 1          |
| 26         | Parking Brake Hand-Grip, alloy, suedetex*                 | Red stitching                 |               | A132V0994S         | 1          |





**Function Code 99.01 GP Edition**

| <u>Dep</u> | <u>Part Description</u>                                      | <u>Remarks</u> | <u>Option</u> | <u>Part Number</u> | <u>Qty</u> |
|------------|--|----------------|---------------|--------------------|------------|
| 27         | Steering Wheel   | Red stitching  |               | A132V0757S         | 1          |
| 28         | Assembly Brake Caliper Front LH red                          |                |               | A132J4045F         | 1          |
| 28a        | Assembly Brake Caliper Front RH red                          |                |               | A132J4046F         | 1          |
| 28b        | Assembly Brake Caliper Rear LH red                           |                |               | A132J4047F         | 1          |
| 28c        | Assembly Brake Caliper Rear RH red                           |                |               | A132J4048F         | 1          |
| 29         | Road Wheel, forged, frt, 10 spoke et55 satin gold, 8.0Jx19   |                |               | A132G0110F         | 2          |
| 29a        | Road Wheel, forged, rr, 10 spoke, et69 satin gold, 9.5J x 20 |                |               | A132G0111F         | 2          |
| 30         | Decal, union jack, 100mm                                     |                |               | A132U0985S         | 2          |
| 31         | Bezel Rear lamp, black                                       |                |               | A132M0244F         | 2          |
| 32         | Stencil 'Lotus', rear wing                                   |                |               | A132B0270S         | 1          |
| 33         | Stencil 'Lotus', rear clam                                   |                |               | A132B0271S         | 1          |
| 34         | Stencil 'Evora S', rear clam                                 |                |               | A132B0272S         | 1          |
| 35         | Stencil Stripe, front bumper                                 |                |               | A132B0267S         | 1          |
| 36         | Stencil Stripe front clam                                    |                |               | A132B0268S         | 1          |
| 37         | Stencil Stripe, front clam LH                                |                |               | A132B4277S         | 1          |
| 37a        | Stencil Stripe, front clam RH                                |                |               | A132B4278S         | 1          |
| 38         | Stencil Stripe, roof LH                                      |                |               | A132B4283S         | 1          |
| 38a        | Stencil Stripe, roof RH                                      |                |               | A132B4284S         | 1          |
| 39         | Stencil Stripe, front clam side LH                           |                |               | A132B4279S         | 1          |
| 39a        | Stencil Stripe, front clam side RH                           |                |               | A132B4280S         | 1          |



---

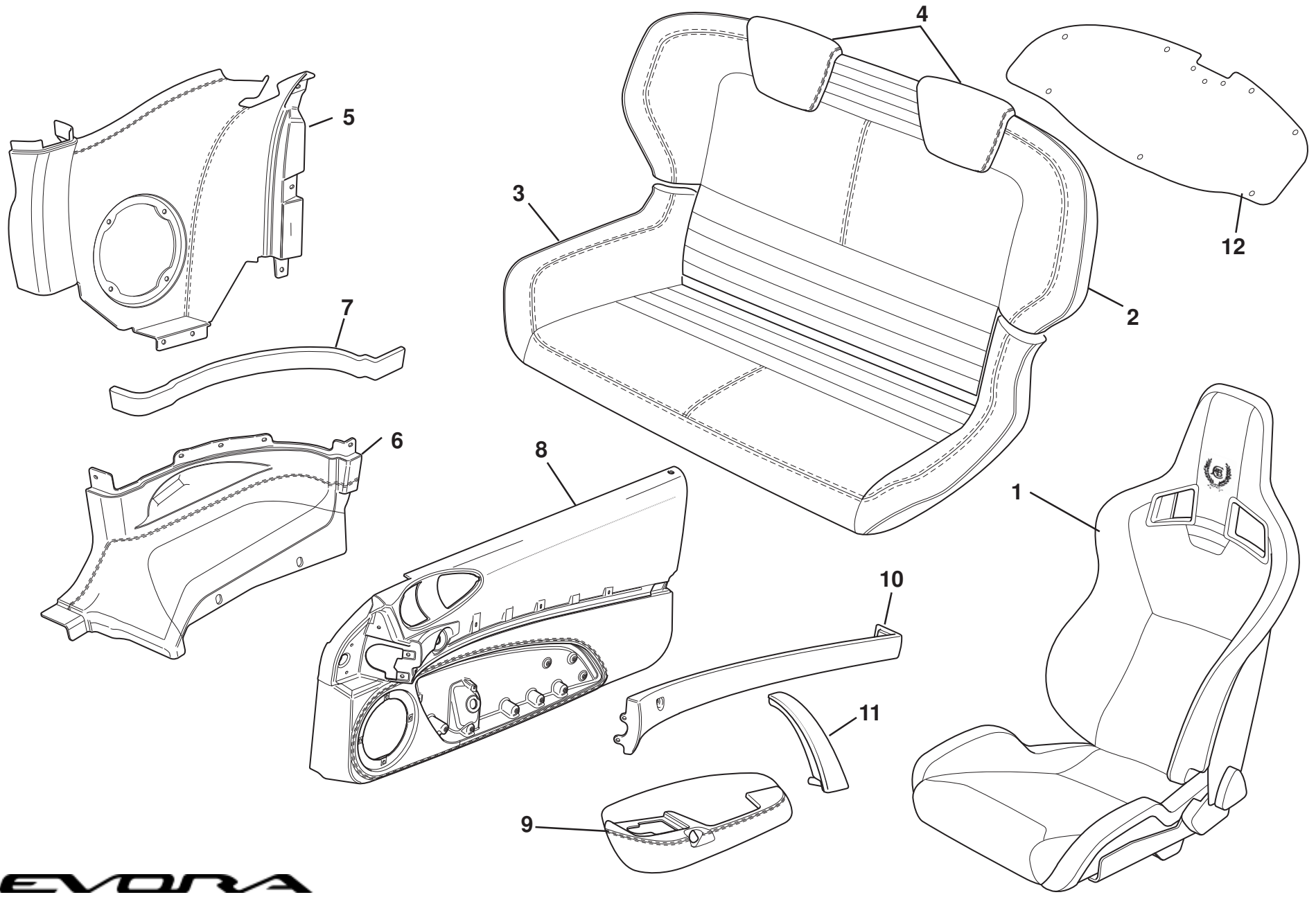
**Function Code 99.01 GP Edition**

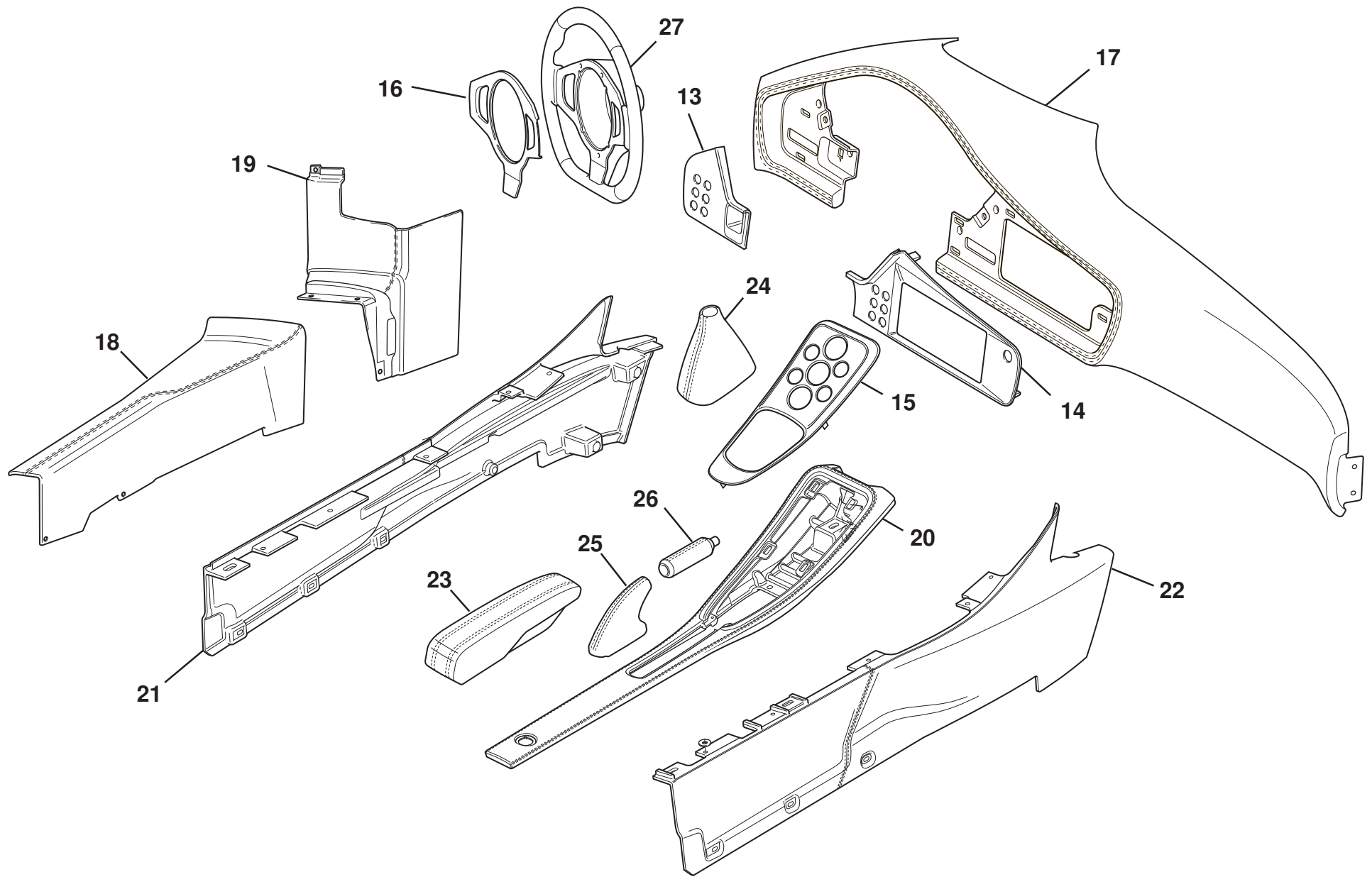
| <u>Dep</u> | <u>Part Description</u>                 | <u>Remarks</u> | <u>Option</u> | <u>Part Number</u> | <u>Qty</u> |
|------------|---|----------------|---------------|--------------------|------------|
| 40         | Stencil Stripe, 'A' panel LH            |                |               | A132B4281S         | 1          |
| 40a        | Stencil Stripe, 'A' panel RH            |                |               | A132B4282S         | 1          |
| 41         | Stencil Stripe, door upper LH           |                |               | A132B4285S         | 1          |
| 41a        | Stencil Stripe, door upper RH           |                |               | A132B4286S         | 1          |
| 42         | Stencil Stripe, door lower LH           |                |               | A132B4287S         | 1          |
| 42a        | Stencil Stripe, door lower RH           |                |               | A132B4288S         | 1          |
| 43         | Stencil Stripe, rear clam side upper LH |                |               | A132B4289S         | 1          |
| 43a        | Stencil Stripe, rear clam side upper RH |                |               | A132B4290S         | 1          |
| 44         | Stencil Stripe, rear clam side lower LH |                |               | A132B4291S         | 1          |
| 44a        | Stencil Stripe, rear clam side lower RH |                |               | A132B4292S         | 1          |
| 45         | Stencil Stripes, rear tailgate          |                |               | A132B0269S         | 1          |
| 46         | Plaque, special edition                 |                |               | A132B0275S         | 1          |

\*Use Trim Order Form LSL654

---



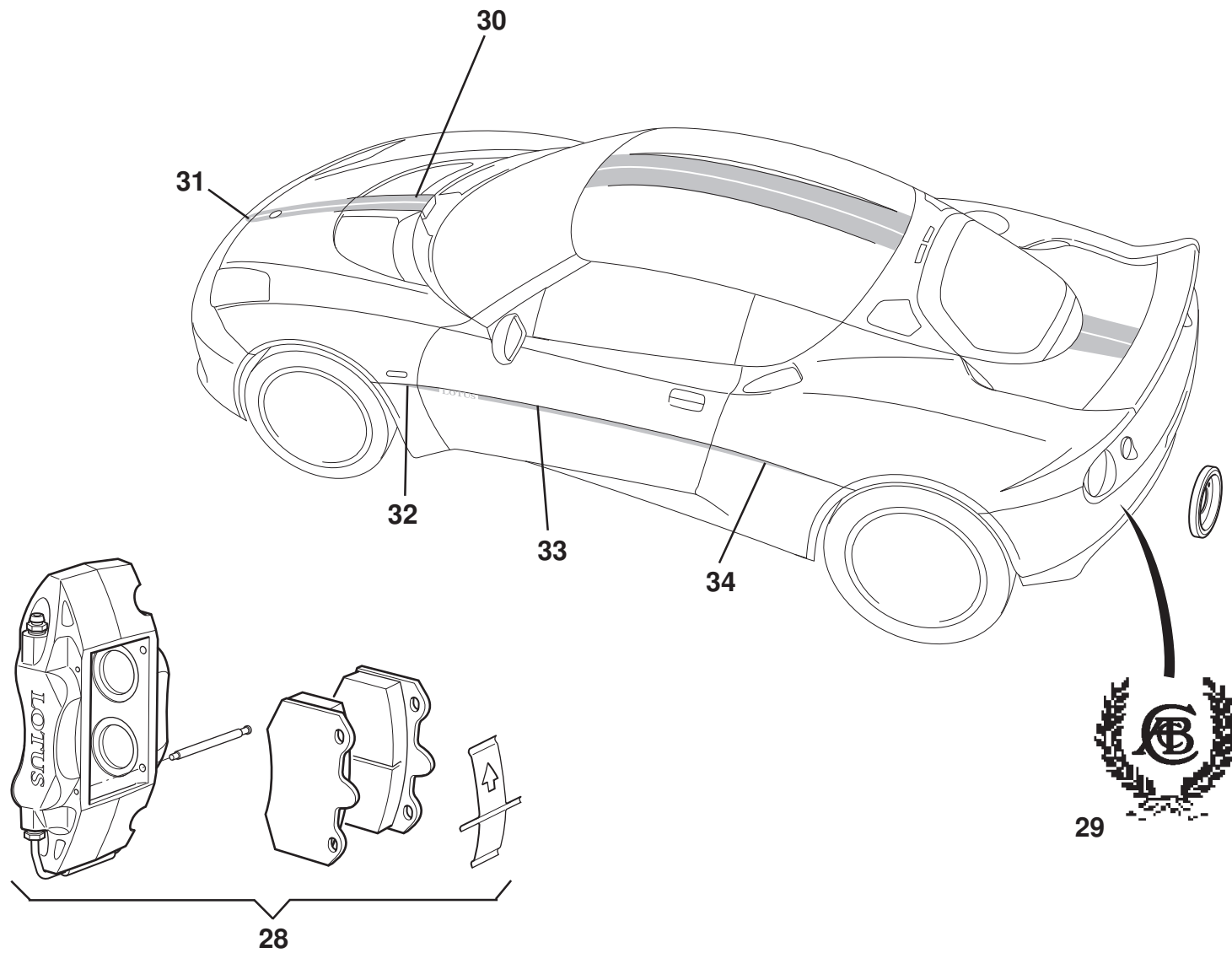




**EVORA**

99.02 page 2

*Updated 6th June 2012*



# Service Parts List

# EVORA



## Function Code 99.02 Heritage Edition

| <u>Dep</u> | <u>Part Description</u>                                      | <u>Remarks</u>                    | <u>Option</u> | <u>Part Number</u> | <u>Qty</u> |
|------------|--|-----------------------------------|---------------|--------------------|------------|
| 01         | Front Seat, LH, black leather, heated                        | Yellow stitching, To be confirmed |               |                    | 1          |
| 01a        | Front Seat, RH, black leather, heated                        | Yellow stitching, To be confirmed |               |                    | 1          |
| 02         | Seat Backrest Assembly, rear, black leather*                 | Yellow stitching                  |               | <b>A132V0762S</b>  | 1          |
| 03         | Seat Cushion Assembly, rear, black leather*                  | Yellow stitching                  |               | <b>A132V0763S</b>  | 1          |
| 04         | Headrest, rear seat, black leather*                          | Yellow stitching                  |               | <b>A132V0764S</b>  | 2          |
| 05         | Trim Panel, rear quarter upper, LH, black leather*           | Yellow stitching                  |               | <b>A132V4937S</b>  | 1          |
| 05a        | Trim Panel, rear quarter upper, RH, black leather*           | Yellow stitching                  |               | <b>A132V4938S</b>  | 1          |
| 06         | Trim Panel, rear quarter lower, LH, black leather*           | Yellow stitching                  |               | <b>A132V4939S</b>  | 1          |
| 06a        | Trim Panel, rear quarter lower, RH, black leather*           | Yellow stitching                  |               | <b>A132V4940S</b>  | 1          |
| 07         | Trim Finisher, rear quarter panel LH, suedetex*              |                                   |               | <b>A132V4745S</b>  | 1          |
| 07a        | Trim Finisher, rear quarter panel RH, suedetex*              |                                   |               | <b>A132V4746S</b>  | 1          |
| 08         | Front Door Trim Panel Assembly, LH, LHD*                     | Yellow stitching                  |               | <b>A132V4941S</b>  | 1          |
| 08a        | Front Door Trim Panel Assembly, RH, LHD*                     | Yellow stitching                  |               | <b>A132V4942S</b>  | 1          |
| 09         | Stowage Pocket/Switch Panel Assy, trimmed, LH LHD, suedetex* | Yellow stitching                  |               | <b>A132V4943S</b>  | 1          |
| 09a        | Stowage Pocket/Switch Panel Assy, trimmed, RH LHD, suedetex* | Yellow stitching                  |               | <b>A132V4944S</b>  | 1          |
| 10         | Door Trim Insert Panel, LH, suedetex*                        |                                   |               | <b>A132V4819S</b>  | 1          |
| 10a        | Door Trim Insert Panel, LH, suedetex*                        |                                   |               | <b>A132V4820S</b>  | 1          |

EVORA

**Function Code 99.02 Heritage Edition**

| <u>Dep</u> | <u>Part Description</u>                                   | <u>Remarks</u>   | <u>Option</u> | <u>Part Number</u> | <u>Qty</u> |
|------------|---|------------------|---------------|--------------------|------------|
| 11         | Door Pull Handle Assembly, trimmed inner, LH*             |                  |               | A132V4201J         | 1          |
| 11a        | Door Pull Handle Assembly, trimmed inner, RH*             |                  |               | A132V4202J         | 1          |
| 11b        | Door Pull Handle Inner, trimmed, LH                       | Black leather    |               | A132V4363S         | 1          |
| 11c        | Door Pull Handle Inner, trimmed, RH                       | Black leather    |               | A132V4364S         | 1          |
| 11d        | Door Pull Handle Cover LH                                 |                  |               | A132V4147F         | 1          |
| 11e        | Door Pull Handle Cover RH                                 |                  |               | A132V4148F         | 1          |
| 12         | Trim Panel Tailgate, suedetex                             | Yellow stitching |               | A132V0771S         | 1          |
| 13         | Switch Panel, LH, LHD, black                              |                  |               | A232U4531F         | 1          |
| 14         | Switch Panel, RH, LHD, black                              |                  |               | A132U4527F         | 1          |
| 15         | Panel, HVAC finisher, manual, black                       |                  |               | A132U0641F         | 1          |
| 15a        | Panel, HVAC finisher, auto, black                         |                  |               | A132U0654F         | 1          |
| 16         | Finisher Trim, steering wheel, black                      |                  |               | A132V0333F         | 1          |
| 17         | Trim Panel, switch & instruments surround, LHD, suedetex* | Yellow stitching |               | A132V0765S         | 1          |
| 18         | Sill Trim Panel Assembly, LH*                             | Yellow stitching |               | A132V4945S         | 1          |
| 18a        | Sill Trim Panel Assembly, RH*                             | Yellow stitching |               | A132V4946S         | 1          |
| 19         | Trim Panel, 'A' post lower, LH*                           | Yellow stitching |               | A132V4947S         | 1          |
| 19a        | Trim Panel, 'A' post lower, RH*                           | Yellow stitching |               | A132V4948S         | 1          |
| 20         | Centre Console, upper, armrest, suedetex*                 | Yellow stitching |               | A132V0766S         | 1          |
| 21         | Centre Console, side, LH armrest, leather*                | Yellow stitching |               | A132V4949S         | 1          |
| 22         | Centre Console, side, RH armrest, leather*                | Yellow stitching |               | A132V4950S         | 1          |



**Function Code 99.02 Heritage Edition**

| <u>Dep</u> | <u>Part Description</u>                   | <u>Remarks</u>                    | <u>Option</u> | <u>Part Number</u> | <u>Qty</u> |
|------------|---|-----------------------------------|---------------|--------------------|------------|
| 23         | Armrest Assembly, suedetex*               | Yellow stitching                  |               | A132V0767S         | 1          |
| 24         | Gaiter, gearlever, suedetex*              | Yellow stitching                  |               | A132V0768S         | 1          |
| 25         | Gaiter, parking brake lever, suedetex*    | Yellow stitching                  |               | A132V0769S         | 1          |
| 26         | Parking Brake Hand-Grip, alloy, suedetex* | Yellow stitching, To be confirmed |               |                    | 1          |
| 27         | Steering Wheel                            | Yellow stitching                  |               | A132V0758S         | 1          |
| 28         | Assembly Brake Caliper Front LH red       |                                   |               | A132J4045F         | 1          |
| 28a        | Assembly Brake Caliper Front RH red       |                                   |               | A132J4046F         | 1          |
| 28b        | Assembly Brake Caliper Rear LH red        |                                   |               | A132J4047F         | 1          |
| 28c        | Assembly Brake Caliper Rear RH red        |                                   |               | A132J4048F         | 1          |
| 29         | Stencil. heritage laurel, gold            |                                   |               | A132B0277S         | 1          |
| 30         | Stencil. twin stripes, front panel        |                                   |               | A132B0274S         | 1          |
| 31         | Stencil. front bumper                     |                                   |               | A132B0273S         | 1          |
| 32         | Stencil. 'A' panel LH                     |                                   |               | A132B4295S         | 1          |
| 32a        | Stencil. 'A' panel RH                     |                                   |               | A132B4296S         | 1          |
| 33         | Stencil. Door LH. Stripe and 'LOTUS'      |                                   |               | A132B4293S         | 1          |
| 33a        | Stencil. Door RH, Stripe and 'LOTUS'      |                                   |               | A132B4294S         | 1          |
| 34         | Stencil. Rear clam side LH                |                                   |               | A132B4297S         | 1          |
| 34a        | Stencil. Rear clam side RH                |                                   |               | A132B4298S         | 1          |

\*Use Trim Order Form LSL654

